

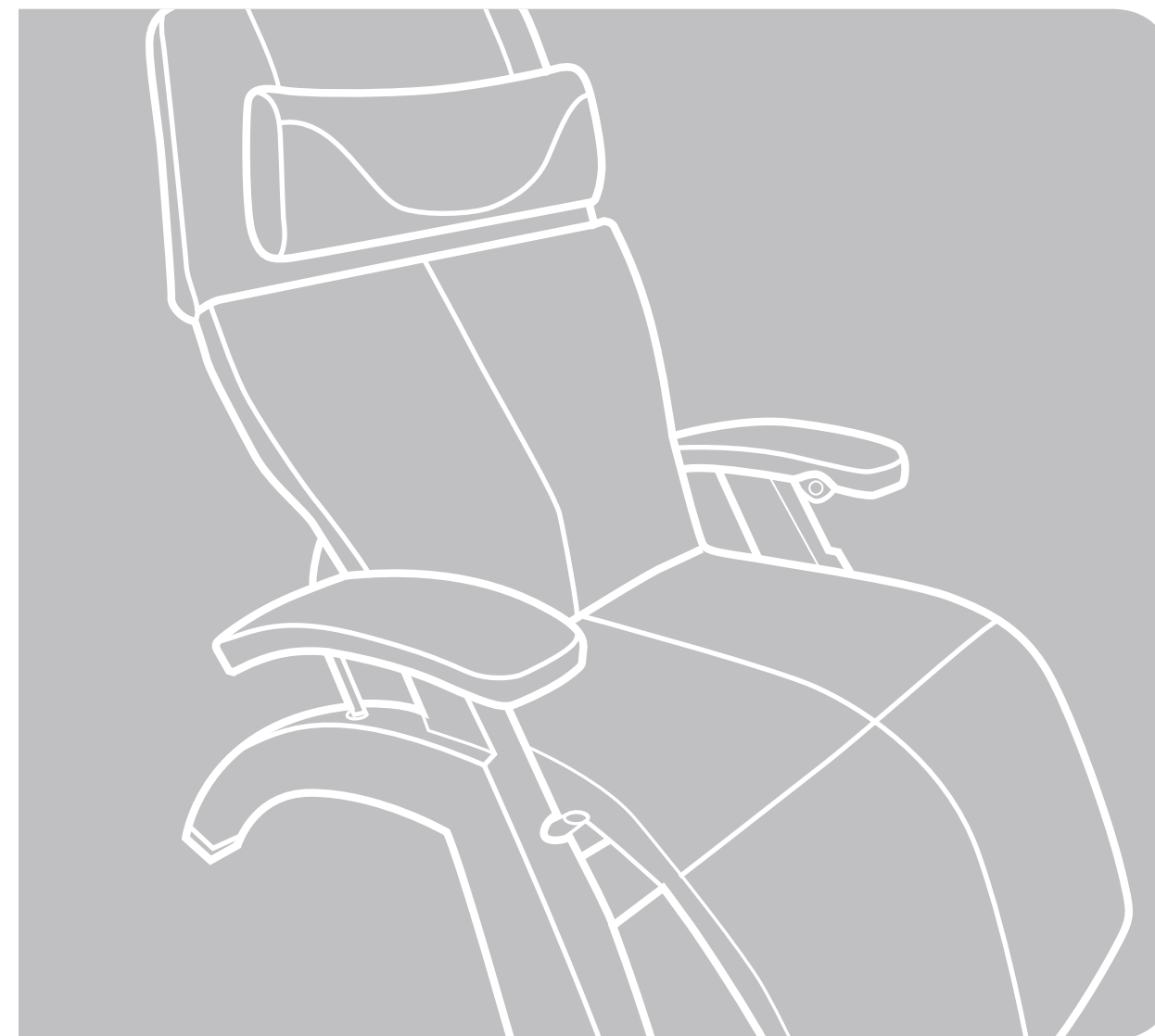


humantouch.com
800.355.2762

©2015 Human Touch®, LLC. Patents pending and intellectual property rights enforced.
No medical claims are warranted or implied by the use of this product.
Human Touch is a trademark of Human Touch®, LLC.
PC-610-NA-B0

Perfect Chair®

pc610
omni-motion classic



use & care manual

ENG

use & care manual

FRC

mode d'emploi et d'entretien

ESN

manual de uso y cuidado

Register your product **ONLINE** today

www.humantouch.com/register

Register your product **ONLINE** today

www.humantouch.com/register



For more than 35 years, Human Touch has established itself as an industry leader that is changing the lives of its customers with products and services that help them feel, perform, and live their best. Developed in cooperation with the medical community and industry experts, we deliver products that blend patented technology, craftsmanship and intelligent ergonomics with superior design to enable therapeutic relief for everyone.

Our industry leading massage chairs, Perfect Chair® recliners and evolving set of innovative solutions share attributes in their ease-of-use, attention to performance and quality, and design to adapt to most any lifestyle. These attributes are highly valued by our customers and garner broad industry award and recognition. As a result, Human Touch empowers people to enjoy greater health and vitality in their professions, pursuits and everyday lives. And with a population increasingly aware of the benefits of wellness, Human Touch extends its brand leadership and available solutions for the benefit of everyone.

humantouch.com

Questions? Contact Human Touch Customer Experience at 800-355-2762.

Perfect Chair®

pc610
omni-motion classic

welcome to [human touch](http://humantouch.com)®

You have just purchased one of the finest pieces of ergonomic furniture available. The Human Touch® Perfect Chair® artfully blends the best of aesthetics, technology and wellness in a seating experience that transcends the highest standards of comfort. Our vision was to create a zero-gravity chair so extraordinary, it would deserve to be called the Perfect Chair.

The PC-610 Omni-Motion Classic gives you the power to independently position your recline angle and leg elevation. The intuitive 5-way omni-control allows for simple transition in our most adjustable Perfect Chair among infinite comfort positions. The power recline system eases the body into a virtually weightless position, as it elevates the legs above the heart and reduces weight on the spine. This remarkable chair relieves the soreness, tension and fatigue caused by the earth's constant pulling, while its fixed-form seating position ensures maximum ergonomic posture at all recline angles.

To ensure that you don't overlook any of your chair's features, and that you use it safely, read this manual carefully. Then sit back, relax, and enjoy the many benefits of the Perfect Chair!

keep it safe

IMPORTANT SAFETY INSTRUCTIONS

When using an electrical appliance, basic precautions should always be followed, including the following:

Read all instructions before using this appliance.



DANGER: To reduce the risk of electrical shock

Always unplug this product from the electrical outlet immediately after using and before cleaning.



WARNING: To reduce the risk of burns, fire, electric shock or injury to persons:

- Do not put hands or fingers near the footrest mechanism on the underside of the chair while this product is running. Touching the mechanism can result in injury.
- If the supply cord is damaged, it must be replaced by the manufacturer or its service agent or a similarly qualified person in order to avoid a hazard.
- An appliance should never be left unattended when plugged in. Unplug from outlet when not in use, and before putting on or taking off parts.
- Close supervision is necessary when this product is used by, on, or near children, invalids, or disabled persons. Keep children away from extended foot support (or other similar parts).
- Use this product only for its intended use as described in this manual. Do not use attachments not recommended by the manufacturer.
- Never operate this product if it has a damaged cord or plug, if it is not working properly, if it has been dropped or damaged, or dropped into water. Return this product to a service center for examination and repair.
- Do not carry this appliance by supply cord or use cord as a handle.
- Always keep the power cord away from heated surfaces.
- Never operate this product with the air openings blocked. Keep the air openings free of lint, hair, and the like.
- Never drop or insert any object into any opening.
- Do not use outdoors.
- Do not operate where aerosol (spray) products are being used or where oxygen is being administered.
- Do not use this product when standing on a damp floor, or when any part of the body is in contact with plumbing or any similar ground.
- Do not use this product if noise above normal sound is heard.
- Do not stand on or in appliance. Use only while seated.
- This appliance is not intended for use by persons (including children) with reduced physical, sensory or mental capabilities, or lack of experience and knowledge, unless they have been given supervision or instruction concerning use of the appliance by a person responsible for their safety. Children should be supervised to ensure that they do not play with the appliance.

Safety Precautions

- Comfortable clothing is recommended while using this product.
- If you feel any abnormal discomfort during the operation of this product, turn off the power immediately and do not use the product. Consult your physician.
- Do not pull on the AC cord.
- When using this product after it has been in storage, check to see that the product is operating properly prior to use.
- Always confirm that there are no obstacles behind the product and that there is sufficient space to recline.

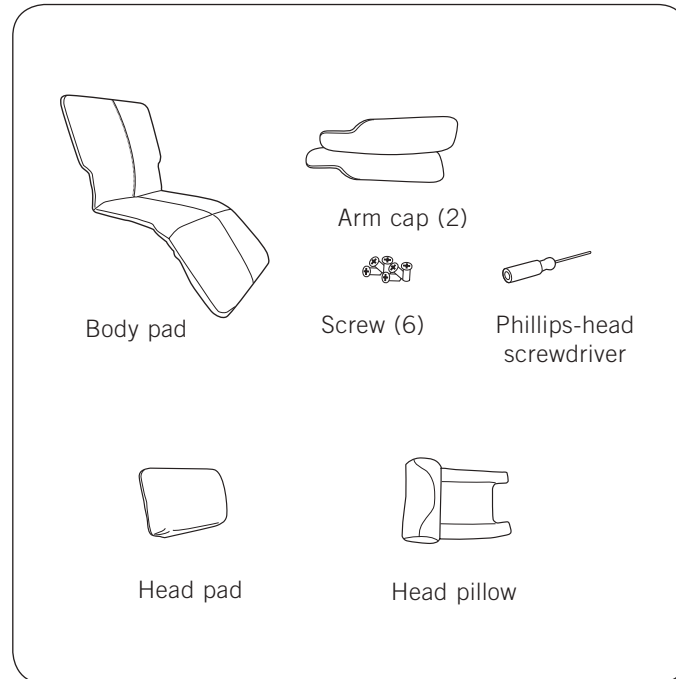
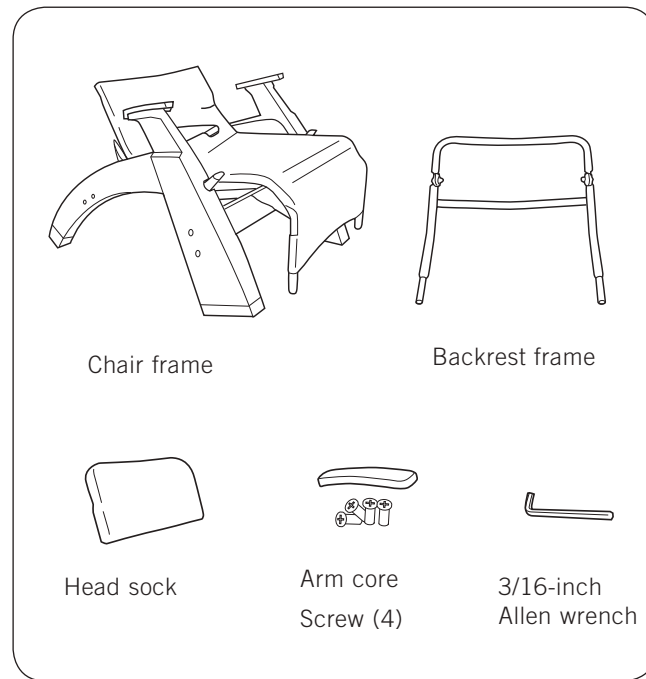
SAVE THESE INSTRUCTIONS

Do not attempt to repair this product yourself.

- This product is designed for personal in-home use. Commercial use will void warranty.
- To reduce the risk of electric shock, this appliance has a polarized plug (one blade is wide than the other). This plug will fit in a polarized outlet only one way. If the plug does not fit fully in the outlet, reverse the plug. If it still does not fit, contact a qualified electrician to install the proper outlet. Do not change the plug in any way.

get ready

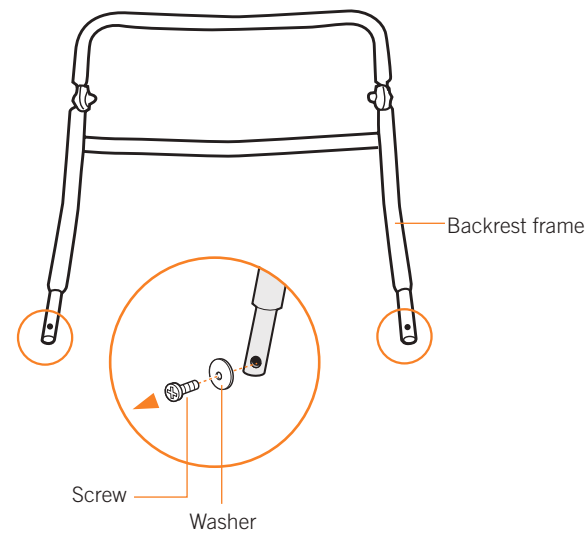
UNPACK THE BOXES



ATTACH THE BACKREST FRAME

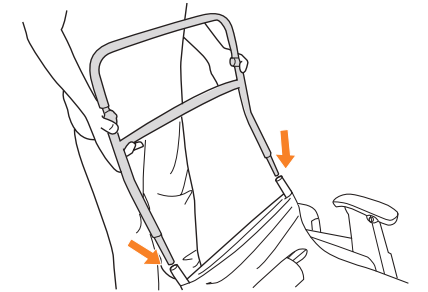
1. Remove the backrest frame screws.

Using the provided Phillips-head screwdriver, remove the two screws/washers from the two lower ends of the backrest frame. Save these screws/washers as they will be used later in the assembly process.



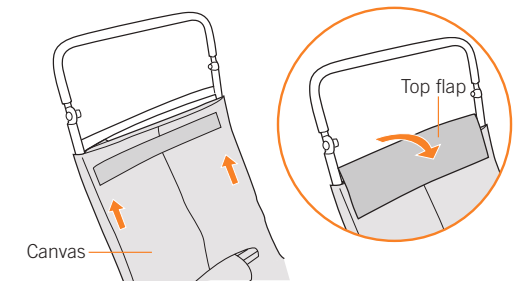
2. Insert the backrest frame into the chair base.

With the backrest frame positioned so that the headrest can tilt forward, slide the two ends of the backrest frame into the open tube ends of the chair base.



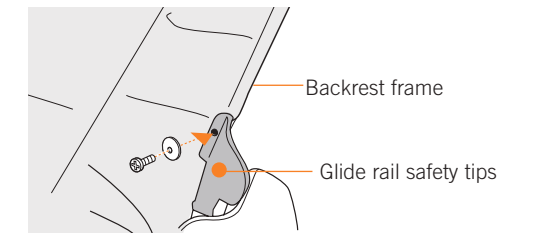
3. Install the canvas backrest support.

Pull the chair canvas firmly upward as far as it will go, wrap the top flap around the backrest frame and secure it using the hook-and-loop fasteners. It is important that the canvas be stretched tight to provide proper back support.



4. Replace the backrest frame screws.

Using the Phillips-head screwdriver, install the two screws with washers (previously removed from the backrest frame) to secure the backrest frame and glide rail safety tip.

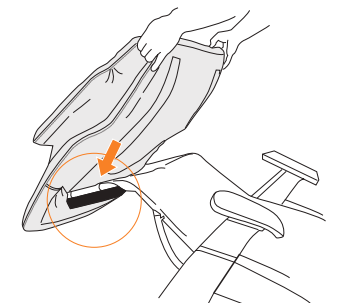


WARNING: You must install these two screws before using the chair; failure to do so may cause severe injury.

ATTACH THE BODY PAD

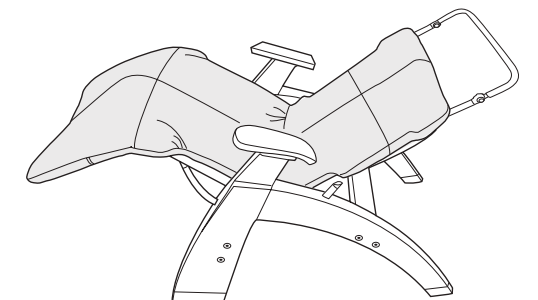
1. Slide the body pad onto the chair frame.

Slide the body pad onto the lower part of the chair frame, making sure that the frame slides into the fabric pocket located on the bottom side of the pad.



2. Secure the body pad.

Smooth the body pad into place, from the footrest toward the backrest. The pad is automatically secured using the hook and loop fasteners.



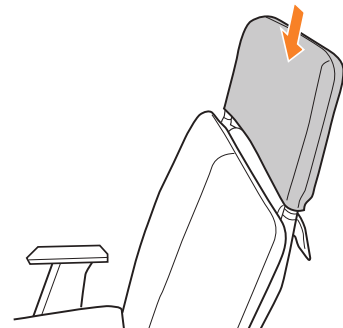
Your Human Touch® Perfect Chair® requires some simple assembly. Just attach the backrest frame, pads, arm caps, and head pillow, and you're done!

get ready

ATTACH THE HEAD PAD

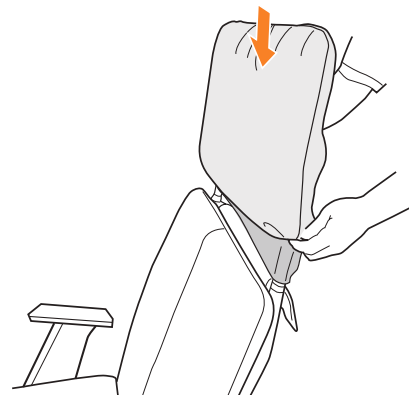
1. Slide the head sock over the headrest frame.

Slide the head sock over the headrest frame, as far as it will go. The padded side of the head sock should face the back of the chair.



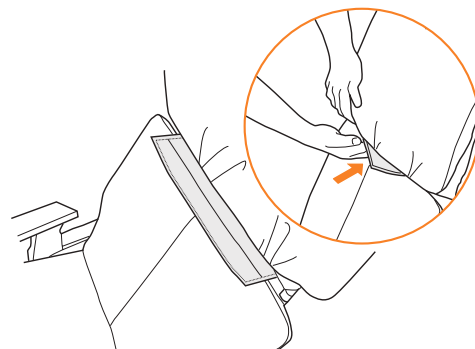
2. Slide the head pad over the headrest frame.

Slide the head pad over the headrest frame, ensuring that the frame slides into the fabric pocket located on the bottom side of the pad. Pull the head pad down as far as it will go.



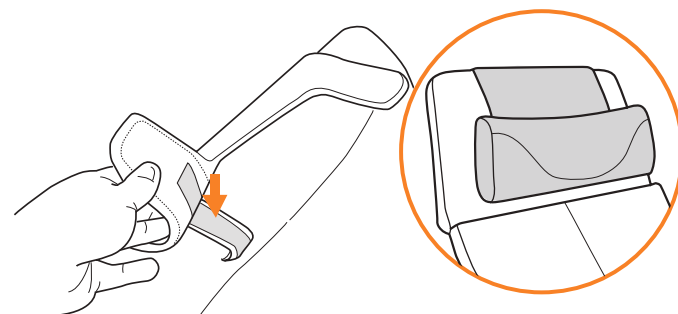
3. Tuck in the body pad flap.

From the front of the chair, tuck the flap on the top of the body pad up into the head pad and smooth it flat. The flap is automatically secured to the pad, using the hook and loop fasteners.



4. Attach the head pillow.

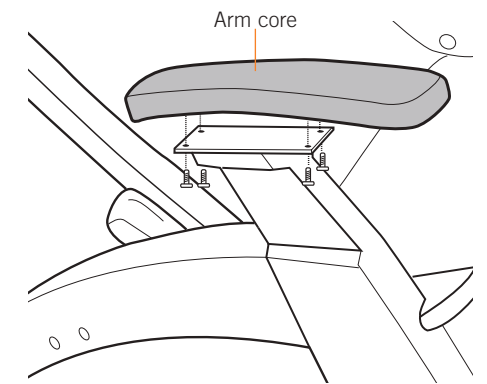
Attach the head pillow straps to the head pad straps using the hook and loop fasteners. Adjust the head pillow height for maximum comfort.



ATTACH THE ARM CORE AND CAPS

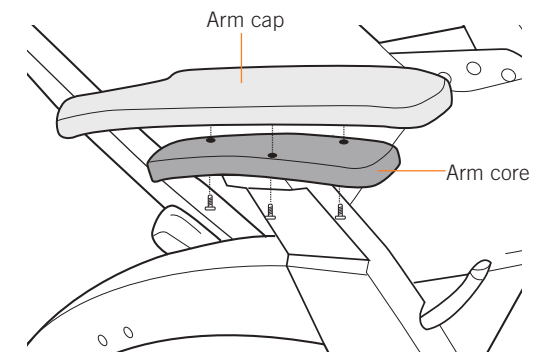
1. Attach the right-hand arm core.

Remove the four screws taped to the top of the right-hand arm, then place the arm core on top of the mounting plate. Secure the arm core using the four screws and the Allen key (provided).



2. Attach the arm caps.

Remove the three screws taped to the underside of the right-hand arm cap, then place the right-hand arm cap on top of the armrest. From the underside of the armrest, secure the arm cap using the three screws. Repeat these steps to attach the left-hand arm cap.



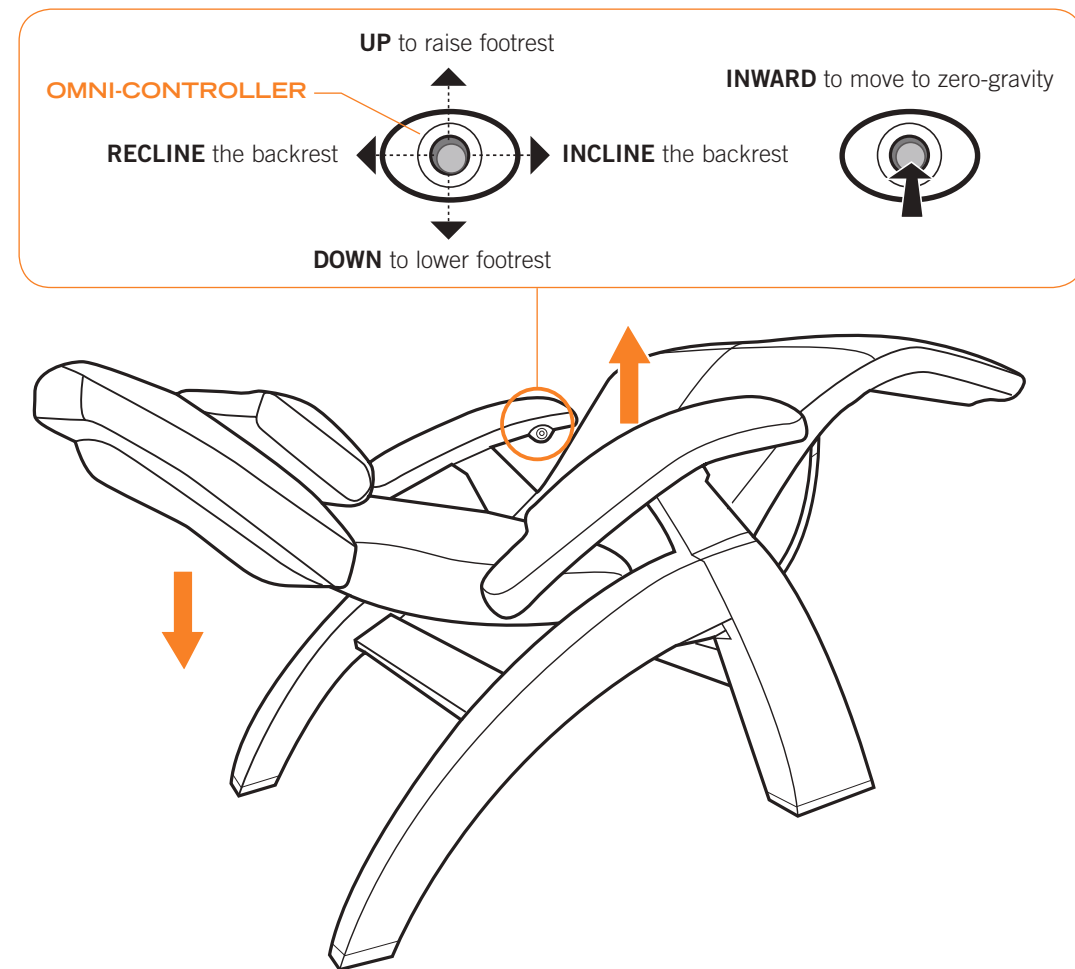
take a seat

Using your Human Touch Perfect Chair is easy. Just take a seat and adjust the chair to the desired position. The Perfect Chair cradles you in zero-gravity comfort, with your feet above your heart—the ultimate neutral-posture position for stress relief.

Adjust the recline angle

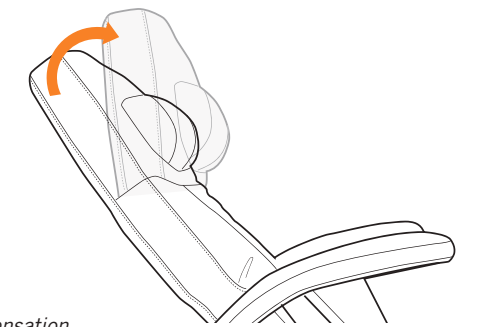
Before adjusting the recline angle, be sure there is nothing located directly behind or beneath the chair. Gently push the controller backward to recline the backrest, forward to incline the backrest, up to raise the footrest, and down to lower the footrest. To automatically place the chair in zero-gravity position, press the controller inward and hold it until the chair stops moving.

NOTE: Lean back against the backrest before reclining the chair. Do not put any extra pressure on the footrest while reclining, as this may prevent the footrest from properly deploying and locking.



Adjust the headrest

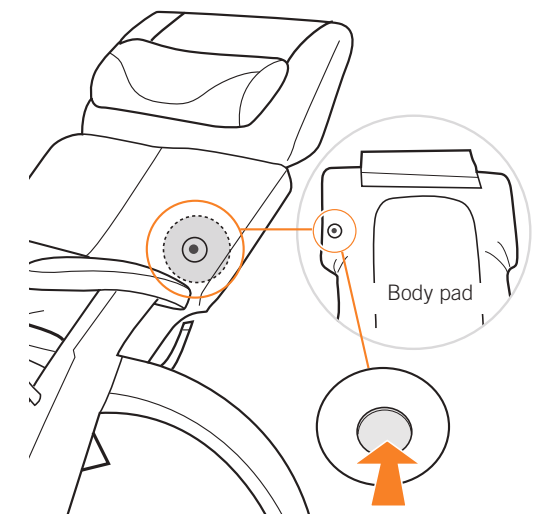
While seated, reach up with both hands and grasp both sides of the headrest. You will feel the rigid frame beneath the soft head pad. Grasping the rigid frame, tilt the headrest forward or backward for maximum comfort. The headrest remains in this position until you adjust it again.



⦿ When adjusting the footrest up and down, you may notice a slight bumping sensation. This is caused by the footrest locking mechanism, and is perfectly normal.

Adjusting lumbar support

1. To decrease lumbar support, sit in the chair, lean against the backrest, then push the ball valve on the back of the body pad. When the lumbar support reaches the desired thickness, release the valve.
2. To increase lumbar support, lean forward to remove pressure from the pad, then push the ball valve inward. When the lumbar support reaches the desired thickness, release the valve. It takes approximately ten seconds for the lumbar support to fully inflate.



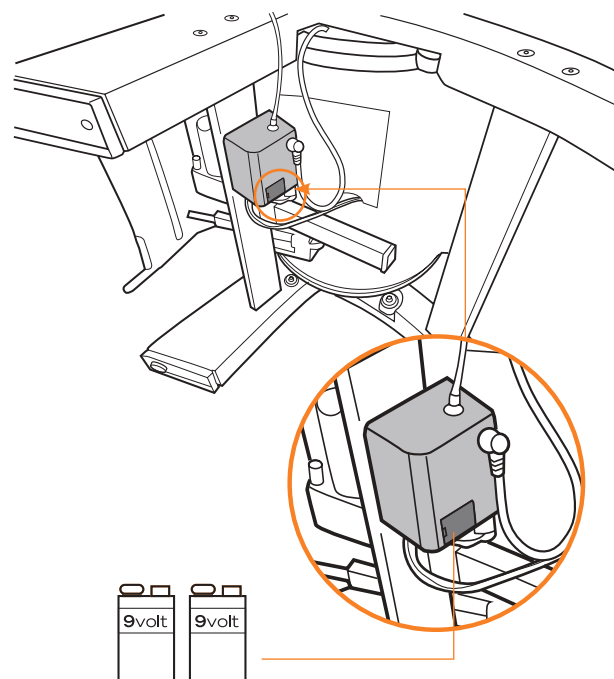
LUMBAR SUPPORT PERFORMANCE NOTES

- You must remove all body weight from the pad when increasing lumbar support.
- If the lumbar support has been compressed for a long period of time, it may take up to one minute to restore it to its full thickness.
- The colder the pad is, the longer it takes to react to lumbar support changes.
- Should the ball valve leak during use, push the black ball in and, with a cotton swab, apply a small amount of Vaseline inside the valve. NOTE: It is normal for the lumbar support to return to a fully expanded state over time.
- Keep sharp objects away from the pad. The pad contains a precision air-tight bladder which that will not function properly if punctured.

Human Touch Safety Feature: Battery Backup

Your PC-610 has a built-in battery backup system, to ensure that you can incline and exit the chair if a power failure occurs. The battery backup system uses two common 9V batteries (not included). Be sure to note the date you installed the batteries and the battery expiration date. Replace the batteries before the expiration date, or at least annually, to ensure that the battery backup system is functional.

IMPORTANT: To use the built-in battery backup system to incline and exit the chair during a power failure, push the controller forward to automatically restore the chair to the upright position.



IMPORTANT: The batteries can only be used **ONCE**; after using the battery backup system, replace the batteries immediately.

care and maintenance

To keep your product working and looking its best, please follow these simple care guidelines.

⚠ WARNING:

1. Be sure to disconnect the power cord from the electrical outlet before cleaning.
2. When cleaning the controller or power switch, use a dry cloth only. Never use a damp cloth to clean the controller or power switch.
3. Be sure to test any cleaning solution on a small, inconspicuous part of the product to ensure that the color does not fade prior to using the solution on the entire product surface.
4. Do not use benzene, thinner or any other solvents on your product.

Cleaning Code Standard: W

To maintain your Human Touch product in optimum condition, dust it frequently and/or vacuum it with a soft brush vacuum extension. SofSuede® products can also be brushed with a suede brush.

If your product becomes dirty, use a water-based upholstery cleaner only. To treat stains, spot clean with an upholstery shampoo or a mild detergent foam.

Maintenance and Repair:

1. The mechanics of this product are specially designed and constructed to be maintenance free. No periodic lubrication or servicing is required.
2. Your chair should only be serviced by an authorized service center.

Use and Storage Environment:

1. When not in use for a long period of time, we recommend that the chair be covered, the power cord be coiled and that the unit be placed in an environment free of dust and moisture.
2. Do not store near heat or open flame.
3. Do not leave this product exposed to direct sunlight for long periods of time. This may cause fading or damage.
4. Do not use or store in extreme temperatures; product stored in cold temperatures may require 48 hours at room temperature to function properly.
5. Product should be used and stored in an environment with non-condensing humidity ranging from 10 to 80%; excessive humidity will damage the mechanics.

Miscellaneous:

1. Foreign objects should not be inserted between the massage nodes or the unit housing.
2. Care should be taken not to overload the unit.

Specifications*

Operating Voltage:	AC110-120V 60 Hz
Power Consumption:	150 Watts
Chair Size (reclined):	62" L x 31" W x 30" H
Product Weight:	80 Lbs.
Required Recline Clearance:	12"
Maximum Load Weight:	400 Lbs.

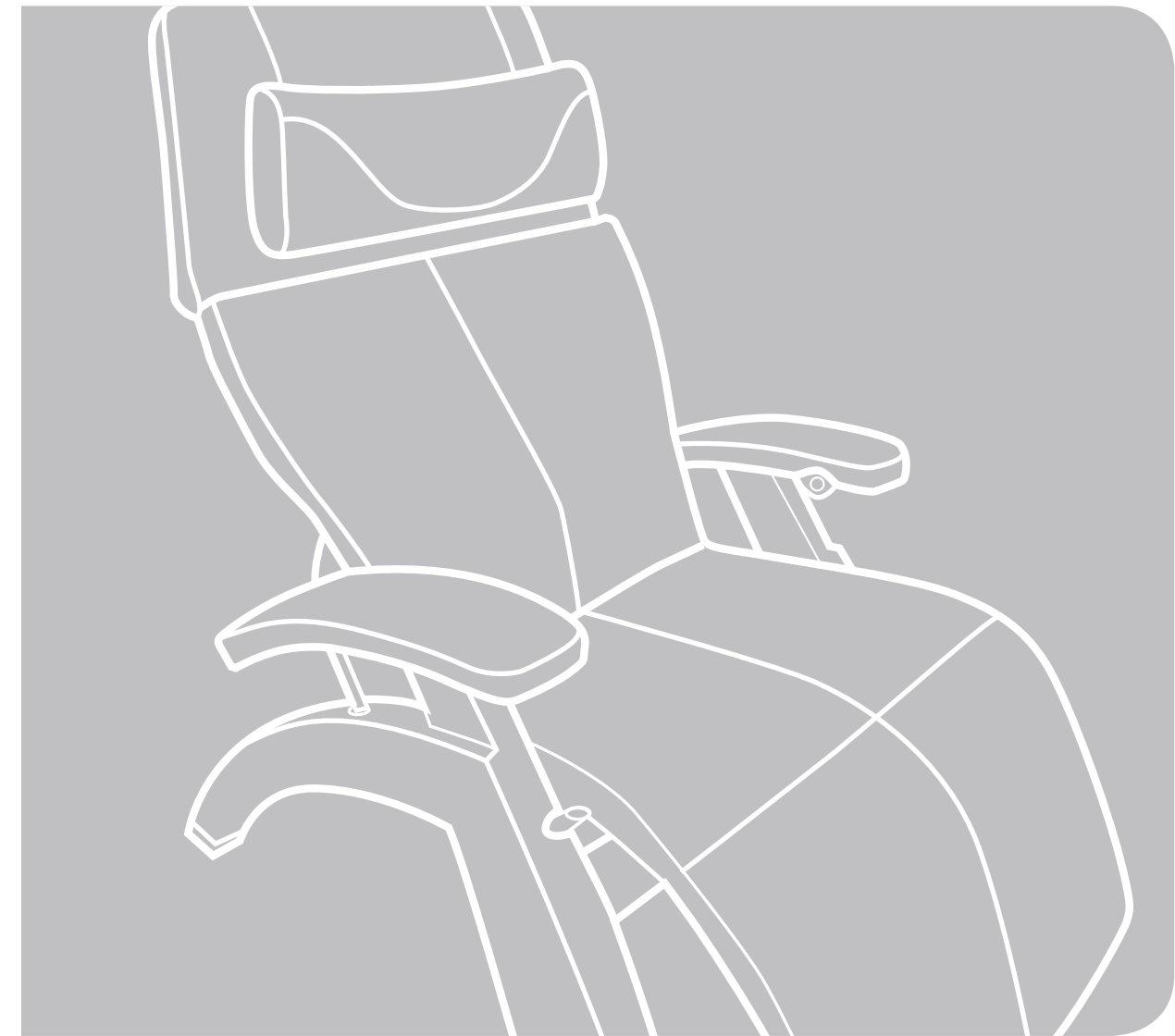
*Specifications are subject to change without prior notice.

Perfect Chair®

pc610
omni-motion classic



humantouch.com
800.355.2762



mode d'emploi et
d'entretien

FRANÇAIS

Enregistrez votre produit **EN LIGNE** dès maintenant

www.humantouch.com/register

Enregistrez votre produit **EN LIGNE** dès maintenant

www.humantouch.com/register



Depuis plus de 35 ans, Human Touch s'est établi comme un chef de file de l'industrie en changeant la vie de ses clients grâce à des produits et services qui les aident à se sentir mieux, à performer davantage et à être à leur meilleur. Élaborés en collaboration avec des experts du domaine médical et de l'industrie, nous offrons des produits qui allient une technologie brevetée, le savoir-faire et une ergonomie intelligente avec une conception supérieure : le soulagement thérapeutique pour tous.

Nos fauteuils de massage, nos fauteuils inclinables PerfectChair^{MD} et notre gamme de solutions innovantes possèdent tous les mêmes attributs en matière de convivialité, de souci de la performance et de la qualité, en plus d'une conception qui s'adapte à la plupart des modes de vie. Ces qualités sont très appréciées de nos clients et nous méritent de nombreuses reconnaissances et de nombreux prix dans l'industrie. Ainsi, Human Touch permet aux gens de vivre en meilleure santé, avec plus de vitalité, que ce soit au niveau professionnel ou personnel, au quotidien. Alors que de plus en plus de gens prennent conscience des bienfaits du mieux-être, Human Touch élargit son leadership de marque et offre des solutions dont tous peuvent profiter.

humantouch.com

©2015 Human Touch^{MC}, LLC. Brevets en instance. Tous droits réservés.
Aucune garantie quant aux bénéfices médicaux de cet appareil n'est offerte, qu'elle soit expresse ou implicite.
Human Touch est une marque de commerce de Human Touch^{MC}, LLC.

Perfect Chair[®]

pc610
omni-motion classic

bienvenue chez **human touch**^{MC}

Vous venez d'acheter un des meilleurs meubles ergonomiques qui soit. Le fauteuil Human Touch^{MD} Perfect Chair^{MD} harmonise magnifiquement le meilleur de l'esthétique, de la technologie et du bien-être afin d'offrir une expérience assise qui transcende les plus hauts standards de confort. Notre vision était de créer un fauteuil de type apesanteur si extraordinaire qu'il mériterait de porter le nom Perfect Chair.

Le fauteuil PC-610 Omni-Motion Classic vous permet de positionner de manière indépendante l'angle d'inclinaison et l'élévation des jambes. Avec notre produit Perfect Chair le plus ajustable, la commande omni à 5 réglages permet une transition simple entre une infinité de positions de confort. Grâce au système d'inclinaison électrique, le corps prend ses aises dans une position frôlant l'apesanteur alors que les jambes sont élevées au-delà du cœur et que le poids supporté par la colonne est réduit. Ce fauteuil remarquable soulage de la douleur, des tensions et de la fatigue causées par la force de gravité terrestre, tandis que la position du siège fixe garantit une posture ergonomique optimale, sous tous les angles d'inclinaison.

Afin de bénéficier du plein potentiel de toutes les caractéristiques de votre fauteuil, et afin de vous assurer que vous en faites un usage sécuritaire, lisez ce guide attentivement. Puis, asseyez-vous, détendez-vous et profitez des innombrables bénéfices du fauteuil Perfect Chair!

consignes de sécurité

CONSIGNES DE SÉCURITÉ IMPORTANTES

Lorsque vous utilisez un appareil électrique, vous devez toujours suivre les précautions de base suivantes :

Lisez toutes les instructions avant d'utiliser cet appareil.



DANGER: Afin de réduire les risques d'électrocution :

Débranchez toujours cet appareil de l'alimentation électrique dès que vous avez fini de l'employer et avant de le nettoyer.



MISE EN GARDE : Afin de réduire les risques de brûlure, d'incendie, d'électrocution ou de blessure :

- Tenez vos mains et vos doigts éloignés du mécanisme de massage et des rouleaux lorsqu'ils sont en marche.
- Si le cordon d'alimentation est endommagé, il doit être remplacé par le fabricant, son représentant de service ou un technicien qualifié afin d'éviter tout danger.
- Un appareil ne devrait jamais être laissé sans surveillance lorsqu'il est branché. Débranchez l'appareil de l'alimentation lorsque vous ne l'employez pas et avant d'y insérer ou d'en retirer des pièces.
- Une surveillance étroite est nécessaire lorsque ce fauteuil est employé près ou par des enfants ou des personnes handicapées. Gardez les enfants à l'abri du repose-pied déployé (ou autres pièces semblables).
- Employez ce fauteuil à ce pour quoi il a été conçu, tel que décrit dans ce guide. Employez uniquement les accessoires recommandés par le fabricant.
- N'employez jamais ce produit si son cordon ou sa fiche d'alimentation sont endommagés, s'il ne fonctionne pas correctement, s'il a été échappé ou endommagé ou s'il a été immergé. Retournez ce fauteuil à un centre de service pour examen et réparation.
- Ne transportez pas cet appareil en tirant sur son cordon d'alimentation. N'utilisez pas le cordon d'alimentation comme une poignée.
- Éloignez toujours le cordon d'alimentation de toute source de chaleur.
- Ne faites jamais fonctionner ce fauteuil si ses trappes d'aération sont obstruées. Maintenez les trappes d'aération exemptes de peluche, de cheveux et de substances semblables.
- N'échappez ni n'insérez jamais aucun objet dans aucune ouverture.
- N'employez pas ce fauteuil à l'extérieur.
- Ne faites pas fonctionner dans un endroit où on utilise des produits à bombe aérosol (vaporisateur) ou dans un endroit où de l'oxygène est administrée.
- N'employez pas cet appareil sur une surface humide ou lorsqu'une partie de votre corps est en contact avec une structure de plomberie ou autre structure similaire.
- N'employez pas ce fauteuil s'il émet un bruit plus élevé que le son normal.
- Ne vous mettez pas debout sur ou dans l'appareil. N'utilisez cet appareil qu'en position assise.
- Cet appareil ne doit pas être utilisé par des personnes à capacités réduites, y compris les enfants, ou qui manquent de connaissance et d'expérience, à moins qu'ils n'aient été instruits sur le fonctionnement de l'appareil par la personne responsable de leur sécurité. Ne pas laisser les enfants sans surveillance à proximité du fauteuil.

Consignes de sécurité

- Nous recommandons le port de vêtements confortables pour l'emploi de ce produit.
- Si vous éprouvez un inconfort anormal lorsque vous employez ce produit, éteignez-le immédiatement et cessez son emploi. Consultez votre médecin.
- Ne tirez pas sur le cordon d'alimentation.
- Si vous employez ce produit après une période de rangement prolongée, vérifiez son bon fonctionnement au préalable.
- Assurez-vous toujours qu'aucun obstacle ne se trouve derrière le fauteuil. Assurez-vous de disposer d'un espace suffisant pour incliner le fauteuil.

CONSERVEZ CE MODE D'EMPLOI

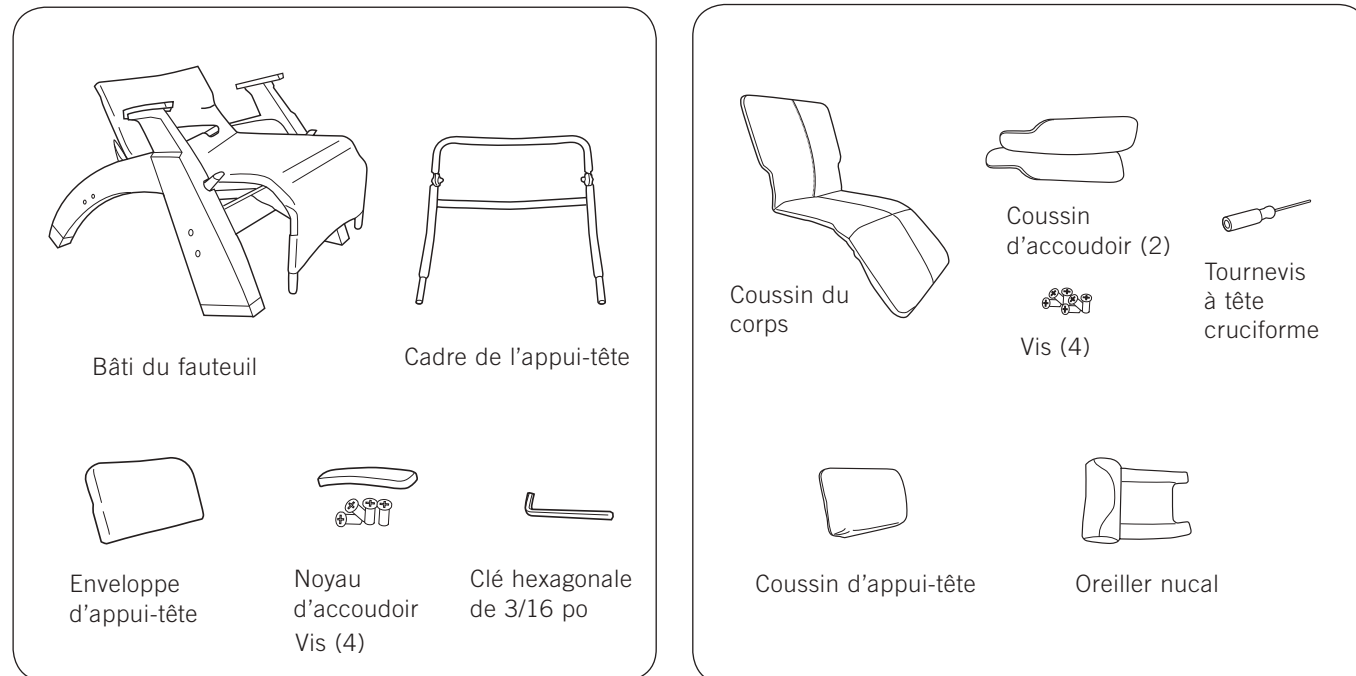
Ne réparez pas ce fauteuil vous-même.

- Ce fauteuil est conçu pour un usage personnel au foyer. Tout usage à des fins commerciales annulera la garantie.
- Afin de réduire les risques d'électrocution, cet appareil est doté d'un cordon à fiche polarisée (une lame est plus large que l'autre). Cette fiche ne s'insère que dans un seul sens dans une prise polarisée. Si la fiche ne s'insère pas entièrement dans la prise, inversez la fiche. Si elle ne s'insère toujours pas entièrement, contactez un électricien qualifié pour faire installer une prise appropriée. Ne modifiez pas la fiche d'alimentation électrique.

Le Human TouchMD Perfect Chair^{MD} nécessite la réalisation d'un assemblage simple. Fixez l'armature du dossier, les coussinets, les protecteurs des accoudoirs et l'oreiller. Voilà!

préparez-vous

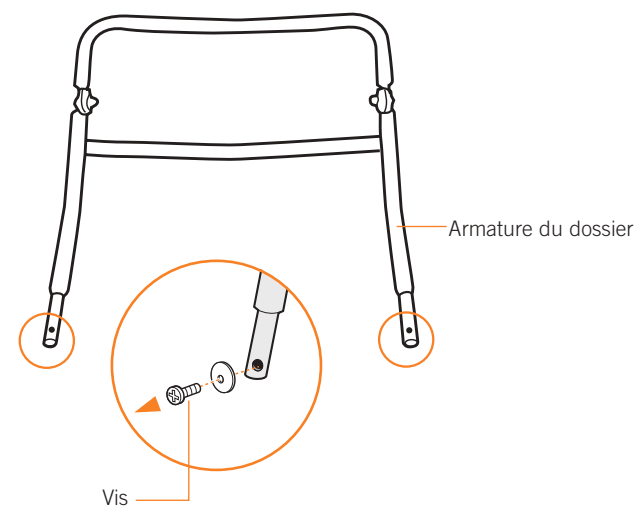
DÉBALLEZ LES BOÎTES



FIXEZ LE CADRE DU DOSSIER

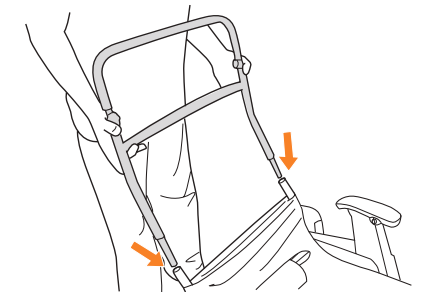
1. Retirez les vis de l'armature du dossier.

À l'aide du tournevis à tête cruciforme fourni, retirez les deux vis/rondelles des extrémités inférieures de l'armature du dossier. Conservez ces vis/rondelles, car vous devrez les utiliser plus tard dans le processus d'installation.



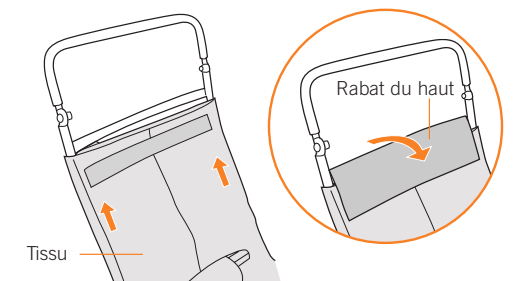
2. Insérez l'armature du dossier dans la base du fauteuil.

Alors que l'armature du dossier est positionnée de manière à ce que l'appui-tête puisse être incliné vers l'avant, faites glisser les deux extrémités de l'armature du dossier dans les extrémités de tube ouvertes de la base du fauteuil.



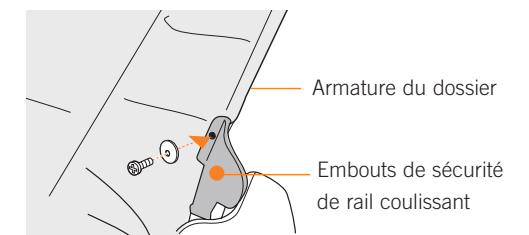
3. Installez le support du tissu du dossier.

Tirez fermement et le plus haut possible le tissu du fauteuil, installez le rabat du haut autour de l'armature du dossier et fixez le bien en place à l'aide des fermetures autoagrippantes. Le tissu doit être bien tendu pour procurer un bon appui pour le dos.



4. Replacez les vis de l'armature du dossier.

À l'aide du tournevis à tête cruciforme fourni, remettez les deux vis avec les rondelles (retirées précédemment du cadre de dossier) pour fixer l'armature du dossier, la base de la chaise et l'embout de sécurité du rail coulissant.

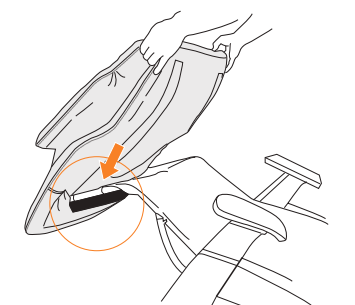


⚠ MISE EN GARDE : Vous devez installer ces deux vis avant d'utiliser le fauteuil; dans le cas contraire, des blessures graves pourraient survenir.

FIXEZ LE COUSSIN CORPOREL

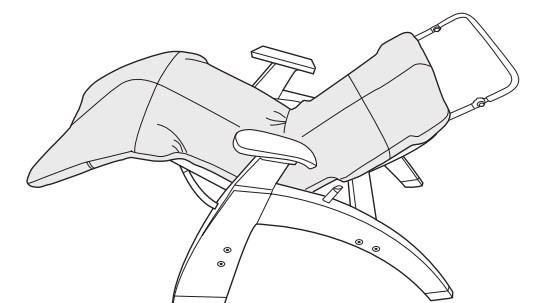
1. Glissez le coussin corporel dans la structure du fauteuil.

Glissez le coussin du corps sur la partie inférieure du bâti du fauteuil en vous assurant que le bâti glisse dans la poche de matériel située sur le bas du coussin.



2. Fixez le coussin corporel.

Lissez en place le coussin de corps, du repose-pieds jusqu'au dossier. Le coussin est automatiquement fixé au moyen des attaches fermeture.

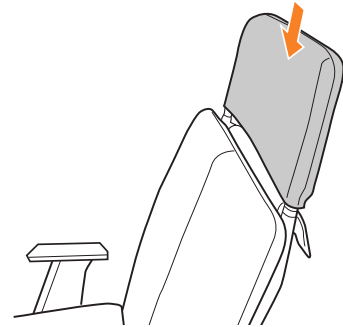


préparez-vous

FIXEZ LE COUSSIN DE L'APPUI-TÊTE

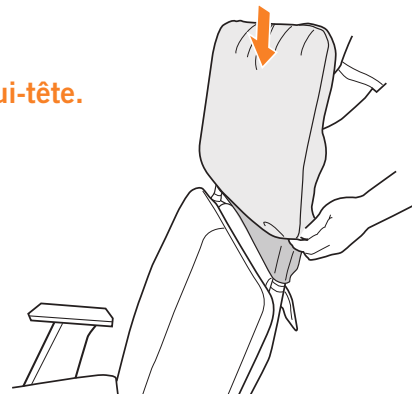
1. Glissez le bonnet sur la structure de l'appui-tête.

Glissez jusqu'au bout l'enveloppe de l'appui-tête sur le bâti de l'appui-tête.



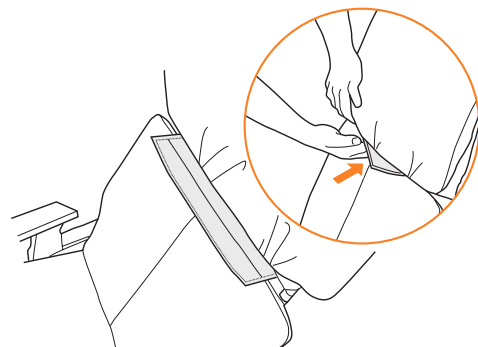
2. Glissez le coussin de l'appui-tête dans la structure de l'appui-tête.

Glissez le coussin de l'appui-tête sur le bâti de l'appui-tête en vous assurant que le bâti glisse dans la poche de matériel située sur le bas du coussin. Tirez le coussin d'appui-tête jusqu'au bout.



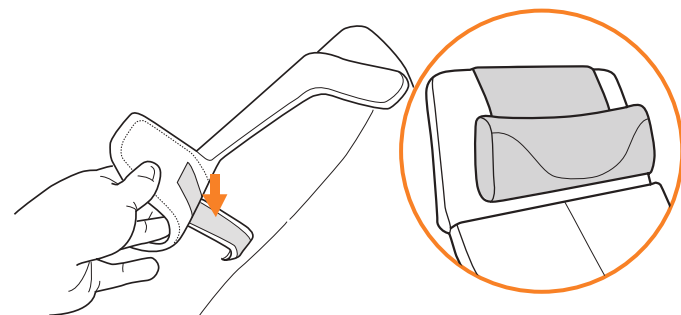
3. Ramenez le rabat du coussin corporel vers l'intérieur.

Depuis le devant du fauteuil, rentrez la patte du dessus du coussin de corps dans le coussin de l'appui-tête et lissez le matériel. La patte est automatiquement fixée sur le coussin au moyen des attaches fermeture.



4. Fixez l'oreiller nucal.

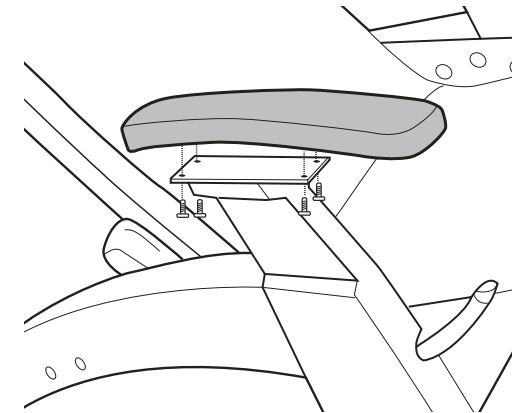
Fixez les sangles de l'oreiller nucal sur les sangles de l'appui-tête au moyen des attaches fermeture. Réglez la hauteur de l'oreiller nucal pour le confort maximal.



FIXEZ LE BRAS ET LE COUSSIN DES ACCOUDOIRS

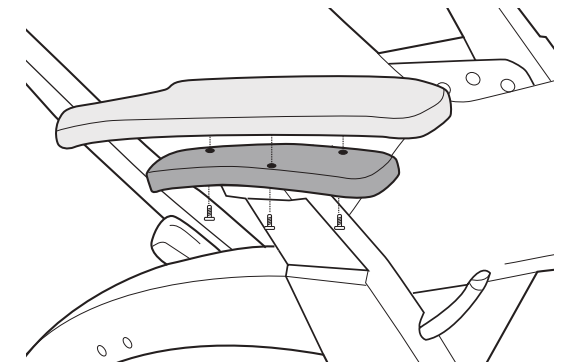
1. Fixez le bras de l'accoudoir droit.

Retirez les quatre vis collées sur le dessus de l'accoudoir droit. Placez ensuite le bras de l'accoudoir sur le dessus de la plaque d'installation. Fixez le bras de l'accoudoir à l'aide des quatre vis.



2. Fixez le coussin des accoudoirs.

Retirez les trois vis collées sous le coussin de l'accoudoir droit. Placez ensuite le coussin de l'accoudoir droit sur le dessus de l'accoudoir. Du dessous de l'accoudoir, fixez le coussin à l'aide des trois vis. Répétez ces étapes pour fixer le coussin de l'accoudoir gauche.

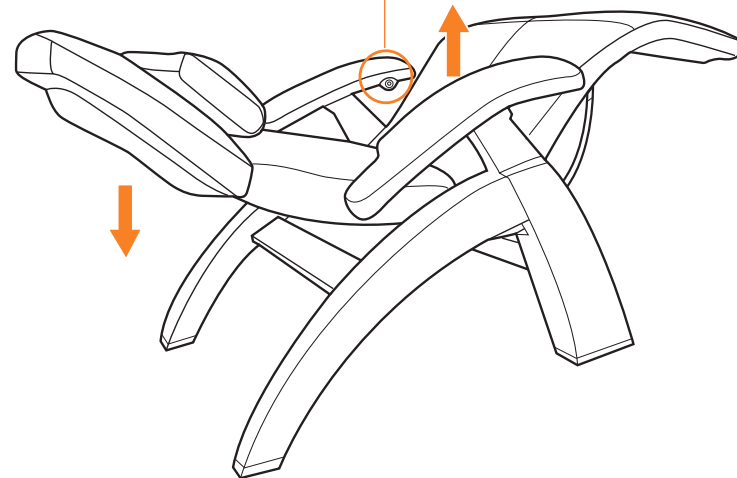
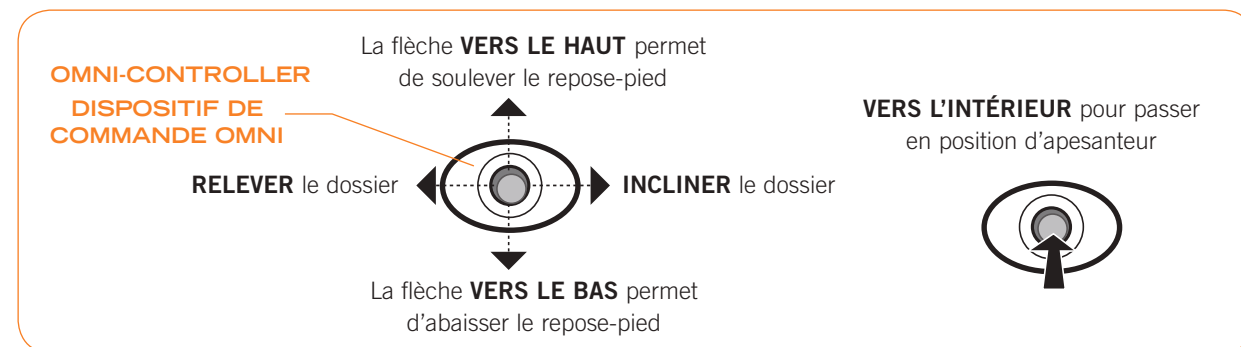


prenez place

Ajustez l'angle d'inclinaison

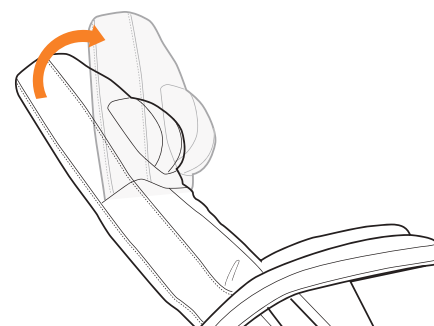
Avant de régler l'angle d'inclinaison, assurez-vous que rien ne se trouve directement derrière ou sous le fauteuil. Appuyez doucement sur le dispositif de commande vers l'arrière pour incliner le dossier vers l'arrière, vers l'avant pour le relever, vers le haut pour soulever le repose-pied et vers le bas pour abaisser le repose-pied. Pour placer automatiquement le fauteuil en position apesanteur, sur le dispositif de commande, appuyez vers l'intérieur et maintenez enfoncé jusqu'à ce que le fauteuil cesse de bouger.

REMARQUE : Couchez-vous sur le dossier avant d'incliner le fauteuil. N'appliquez pas de pression supplémentaire sur le repose-pied pendant l'inclinaison : cela pourrait l'empêcher de se déployer correctement et de se verrouiller.



Ajustez l'appui-tête

Alors que vous êtes assis, saisissez des deux mains les deux côtés de l'appui-tête. Vous sentirez le cadre rigide sous le coussinet moelleux de l'appui-tête. Saisissez le cadre rigide et inclinez l'appui-tête vers l'avant ou vers l'arrière, dans la position la plus confortable pour vous. L'appui-tête demeurera dans cette position jusqu'au prochain réglage.

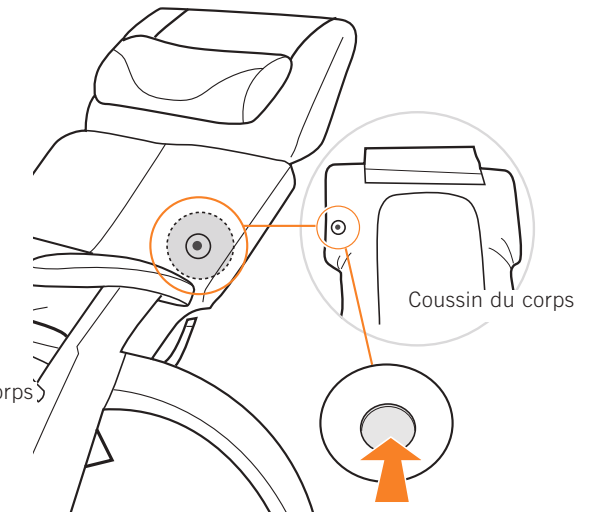


En réglant le repose-pied, vous remarquerez peut-être une légère sensation d'à-coups. Ceux-ci sont causés par le mécanisme de verrouillage du repose-pied et sont parfaitement normaux.

Votre Perfect Chair Human Touch est facile à utiliser. Prenez place et ajustez le dossier à la position désirée. Le fauteuil Perfect Chair vous berce dans le confort de l'apesanteur, les pieds seront alors plus hauts que le cœur. Il s'agit de l'ultime posture neutre pour le soulagement du stress.

Réglage du soutien lombaire

1. Pour diminuer le soutien lombaire, asseyez-vous dans la chaise, appuyez-vous contre le dossier, puis poussez la valve à bille sur le dossier du coussin. Lorsque le soutien lombaire atteint l'épaisseur souhaitée, relâchez la valve.
2. Pour augmenter le soutien lombaire, inclinez-vous vers l'avant pour retirer la pression du coussin, puis appuyez vers l'intérieur sur la valve à bille. Lorsque le soutien lombaire atteint l'épaisseur souhaitée, relâchez la valve. Environ dix secondes sont nécessaires pour que le soutien lombaire se gonfle entièrement.



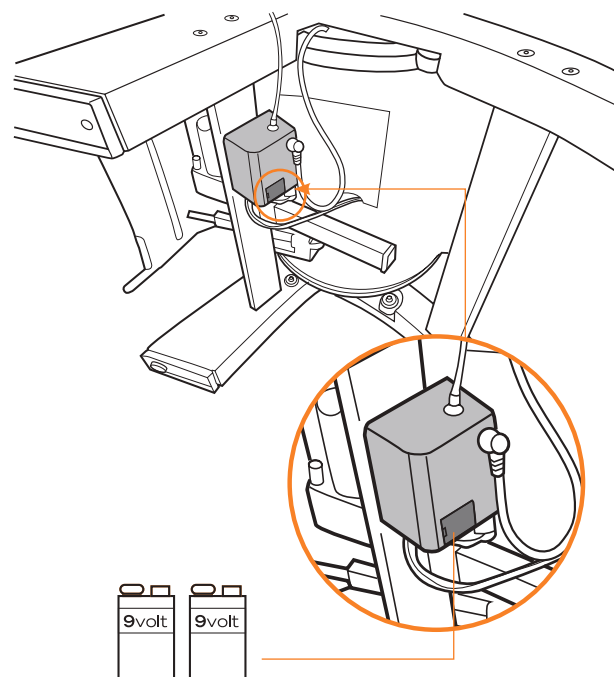
REMARQUES CONCERNANT LA PERFORMANCE DU SOUTIEN LOMBAIRE

- Vous devez retirer tout poids corporel du coussin lors de l'augmentation du soutien lombaire.
- Si le soutien lombaire a été comprimé pendant une période prolongée, il faudra jusqu'à une minute pour qu'il reprenne son épaisseur complète.
- Plus le coussin est froid et plus il faudra du temps pour que le soutien lombaire réagisse aux changements.
- Si la valve à bille devait fuir pendant l'utilisation, poussez la bille noire vers l'intérieur et appliquez une petite quantité de Vaseline dans la valve à l'aide d'un coton-tige. REMARQUE : Il est normal que le soutien lombaire reprenne un état entièrement gonflé avec le temps.
- Gardez le coussin à l'abri des objets tranchants. Le coussin contient une vessie à air comprimé de précision qui ne fonctionnera pas bien si elle est percée.

Caractéristique de sécurité Human Touch : Batterie de secours

Votre fauteuil PC-610 est doté d'un système de secours à pile intégré pour garantir que vous puissiez l'incliner et sortir advenant une panne de courant. Le système de secours utilise des piles de 9 V courantes (non comprises). Assurez-vous de noter la date d'installation des piles ainsi que la date d'expiration de ces dernières. Remplacez les piles avant la date d'expiration ou au moins une fois par année pour vous assurer que le système de secours à pile est fonctionnel.

IMPORTANT: Pour utiliser le système de secours à pile intégré pour incliner le fauteuil et en sortir pendant une panne de courant, appuyez sur la flèche vers l'avant sur le dispositif de commande pour restaurer automatiquement la position verticale.



IMPORTANT: Les piles ne peuvent être utilisées qu'**UNE SEULE FOIS**; si vous avez utilisé le système de secours à pile, remplacez immédiatement les piles.

Fiche technique*

Tension de fonctionnement :	110 à 120 volts CA, 60 Hz
Consommation d'énergie :	150 watts
Dimensions du fauteuil (incliné) :	157,48 cm (L) x 78,74 cm (l) x 76,2 cm (H)
Poids du produit :	36,74 kg
Dégagement d'inclinaison requis :	30,48 cm
Poids de charge maximal :	181,4 kg

*La fiche technique est sujette à changement sans préavis.

soin et entretien

Afin de vous assurer que votre fauteuil fonctionne bien et qu'il conserve une belle apparence, veuillez suivre ces consignes faciles d'entretien.

⚠ MISE EN GARDE :

1. Assurez-vous de débrancher le cordon d'alimentation de la prise murale avant le nettoyage.
2. Nettoyer le boîtier de commande et l'interrupteur à l'aide d'un linge sec seulement. Ne nettoyez jamais le système de commande ou le bouton d'alimentation à l'aide d'un linge humide.
3. Avant de procéder au nettoyage de toute la surface du produit à l'aide d'une solution nettoyante, veillez à en faire l'essai sur une petite portion camouflée du produit afin de vous assurer qu'elle n'entraîne pas de décoloration.
4. N'utilisez pas de benzène, de diluant ou de solvant pour nettoyer le produit.

Norme de nettoyage : W

Pour maintenir votre produit Human Touch en état optimal, époussetez-le fréquemment ou passez-y l'aspirateur à l'aide d'une brosse douce. On peut également brosser les produits SoftSuede^{MD} à l'aide d'une brosse pour le suède. Seuls les nettoyants à l'eau pour meubles conviennent au nettoyage de ce produit. Pour traiter les taches, appliquez localement un shampoing pour meubles ou un détergent moussieux doux.

Entretien et réparation :

1. La mécanique de ce fauteuil a été conçue et construite afin de ne nécessiter aucun entretien. Aucune lubrification ni entretien périodique ne sont nécessaires.
2. Votre fauteuil ne doit être réparé que par un centre de service agréé.

Rangement :

1. Lorsque le fauteuil ne doit pas être employé sur une longue période, nous vous recommandons d'enrouler le cordon d'alimentation et de placer le fauteuil dans un endroit exempt de poussière et d'humidité.
2. Ne rangez pas le fauteuil près d'une flamme ou d'une source de chaleur. N'exposez pas cet appareil aux rayons directs du soleil sur une longue période. Cela pourrait le décolorer ou l'endommager.

Divers :

1. N'insérez pas de corps étrangers entre les nodules de massage ni dans le boîtier du moteur.
2. Prenez soin de ne pas surcharger l'appareil.

Perfect Chair®

pc610
omni-motion classic



humantouch.com
800.355.2762



manual de uso
y cuidado

ESPAÑOL

Registre su producto **EN LÍNEA** hoy

www.humantouch.com/register

Registre su producto **EN LÍNEA** hoy

www.humantouch.com/register



Durante más de 35 años, Human Touch se ha establecido como líder de la industria que cambia las vidas de sus clientes con productos y servicios que los ayudan a sentirse, desempeñarse y vivir en la mejor manera posible. Ofrecemos productos desarrollados en colaboración con la comunidad médica y expertos de la industria, productos que combinan tecnología patentada, artesanía y ergonomía inteligente con un diseño superior para ofrecer alivio terapéutico para todos.

Nuestras sillas de masaje, sillas reclinables Perfect Chair® y un conjunto de soluciones innovadoras en evolución, líderes de la industria, comparten los atributos de facilidad de uso, atención al rendimiento y calidad, y diseño para adaptarse a casi cualquier estilo de vida. Estos atributos son muy apreciados por nuestros clientes y obtienen premios y el reconocimiento de toda la industria. Como resultado, Human Touch permite a la gente a disfrutar de una mayor salud y vitalidad en sus profesiones, actividades y vida cotidiana. Y con una población cada vez más consciente de los beneficios del bienestar, Human Touch extiende su liderazgo de marca y soluciones disponibles para el beneficio de todos.

humantouch.com

Perfect Chair®

pc610
omni-motion classic

Le damos la bienvenida a human touch®

Usted acaba de comprar uno de los muebles ergonómicos de mayor calidad disponibles. Perfect Chair® de Human Touch® mezcla ingeniosamente lo mejor de la estética, la tecnología y el bienestar en una experiencia de asiento que va más allá de los más altos estándares de comodidad. Nuestra visión era crear una silla de gravedad cero tan extraordinaria que mereciera el nombre de "Silla Perfecta".

La PC-610 Omni-Motion Classic le brinda el poder de posicionar independientemente el ángulo de reclinación y la elevación de las piernas. El omni-control intuitivo de 5 direcciones le permite una transición simple entre infinitas posiciones de comodidad en la Perfect Chair más ajustable. El sistema de reclinación de potencia pone el cuerpo en una posición prácticamente antigraavedad, ya que eleva las piernas por encima del corazón y reduce el peso en la columna vertebral. Esta silla extraordinaria alivia el dolor, la tensión y la fatiga que provoca la atracción constante de la tierra, a la vez que su posición de sentado de forma fija asegura una postura ergonómica óptima en todos los ángulos de reclinación.

Para garantizar que no olvide ninguna de sus funciones y que la utilizará en forma segura, lea este manual detenidamente. ¡Así que siéntese, relájese y disfrute de los muchos beneficios de Perfect Chair!

manténgala en forma segura

INSTRUCCIONES DE SEGURIDAD IMPORTANTES

Cuando utilice un artefacto eléctrico, debe tener siempre precauciones especiales, incluidas las siguientes:

Lea todas las instrucciones antes de usar este artefacto.



PELIGRO: Para reducir el riesgo de sacudida eléctrica

Desconecte siempre este producto del tomacorriente inmediatamente después de usarlo y antes de limpiarlo.



ADVERTENCIA: Para reducir el riesgo de quemaduras, incendio, sacudida eléctrica o lesiones personales:

- No coloque las manos ni los dedos cerca del mecanismo del apoyapies en la base de la silla mientras el producto está en movimiento. Si toca el mecanismo podría sufrir lesiones.
- Si el cable de alimentación está deteriorado, el fabricante, su agente de servicio o una persona calificada similar debe reemplazarlo para evitar peligros.
- Un artefacto nunca debe dejarse desatendido mientras esté conectado. Cuando no esté en uso, desconéctelo del tomacorriente antes de colocarlo o retirarle piezas.
- Se requiere su supervisión muy de cerca cuando este artefacto es utilizado por, con o cerca de niños, personas inválidas o discapacitadas. Mantenga a los niños retirados del apoyapies cuando esté extendido (o de otras piezas similares).
- Utilice este producto solamente para el uso que se describe en este manual. No utilice conexiones no recomendadas por el fabricante.
- Nunca haga funcionar este artefacto si tiene un cable o enchufe dañado, si no funciona correctamente, si se ha caído o deteriorado, o si ha caído en el agua. Devuelva este producto a un centro de servicio para su revisión y reparación.
- No hale este artefacto por el cable de alimentación, ni utilice el cable como mango.
- Mantenga siempre el cable de alimentación alejado de superficies calientes.
- Nunca haga funcionar este artefacto con los orificios de ventilación obstruidos. Mantenga los orificios de ventilación libres de pelusa, cabellos y cosas por el estilo.
- Nunca deje caer ni introduzca objetos en ningún orificio o abertura.
- No utilice en exteriores.
- No utilice en lugares donde se empleen productos en aerosol (spray) o donde se administre oxígeno.
- No utilice este producto sobre el piso húmedo o mientras alguna parte del cuerpo esté en contacto con tuberías o tomas de tierra similares.
- No use este producto si escucha ruido más fuerte del sonido normal.
- No se ponga de pie sobre el artefacto. Úselo solamente sentado.
- Este artefacto no está destinado para personas (incluidos niños) con discapacidades físicas, sensoriales o mentales, o sin experiencia y conocimientos para el uso de este producto, a menos que la persona responsable por su seguridad le haya instruido o supervisado en el uso de este artefacto. Se debe supervisar a los niños muy de cerca para asegurarse de que no jueguen con este artefacto.

Precauciones de seguridad

- Se recomienda usar ropa cómoda mientras se utiliza este producto.
- Si siente alguna molestia anormal durante el funcionamiento de este producto, apague la alimentación eléctrica de inmediato y no utilice este producto. Consulte a su médico.
- No hale el cable de CA.
- Cuando utilice este producto después de haberse mantenido almacenado, compruebe que funciona debidamente antes usarlo.
- Compruebe siempre que no haya obstáculos detrás del producto y que haya espacio suficiente para reclinarlo.

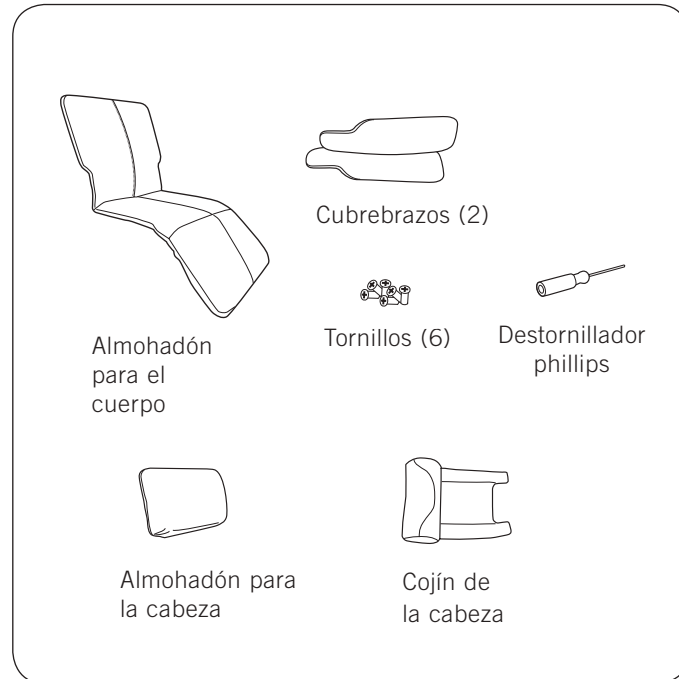
CONSERVE ESTAS INSTRUCCIONES

No intente reparar este producto usted mismo.

- Este producto está diseñado para uso personal en casa. Su uso comercial anula la garantía.
- Para reducir el riesgo de sacudida eléctrica, este artefacto tiene un enchufe polarizado (un contacto más ancho que el otro). Este enchufe se adapta a los tomacorrientes polarizados sólo de una forma. Si el enchufe no se acopla bien al tomacorriente, voltéelo para invertir los contactos. Si aun así no se acopla, comuníquese con un electricista calificado para instalar el tomacorriente adecuado. No cambie el enchufe.

prepárese

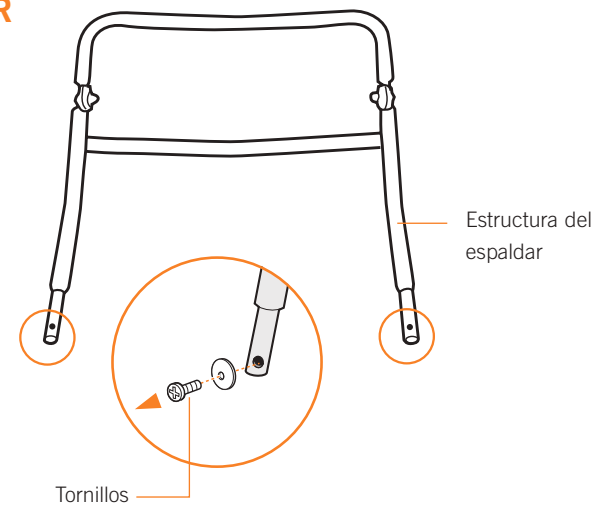
DESEMPAQUE LAS CAJAS



COLOQUE LA ESTRUCTURA DEL ESPALDAR

1. Retire los tornillos de la estructura del espaldar.

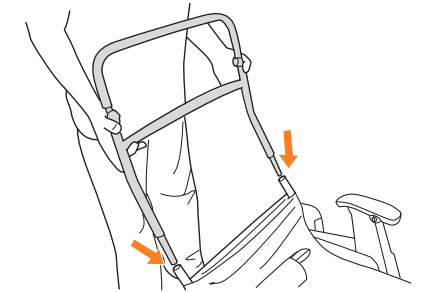
Con el destornillador de cabeza Phillips suministrado, retire los dos tornillos/arandelas de los dos extremos inferiores de la estructura del espaldar. Guarde los tornillos/arandelas ya que los usará más tarde en el proceso de instalación.



Su Perfect Chair® de Human Touch® requiere una instalación sencilla. Solo coloque la estructura del espaldar, las almohadillas, las cubiertas de los apoyabrazos y la almohadilla de la cabeza, ¡y listo!

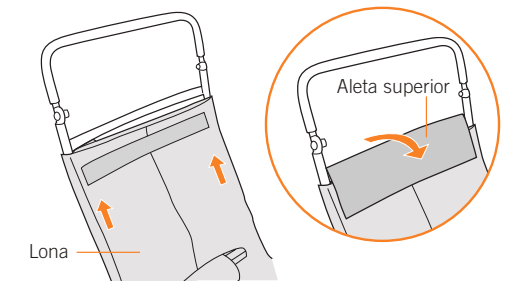
2. Inserte la estructura del espaldar en la base de la silla.

Con la estructura del espaldar colocada de manera que el apoyacabeza pueda inclinarse hacia adelante, deslice los dos extremos de la estructura del espaldar hacia los extremos abiertos de los tubos de la base de la silla.



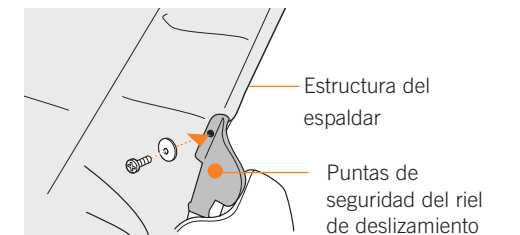
3. Instale el soporte del espaldar de lona.

Hale la lona de la silla firmemente hacia arriba en toda su extensión, enrolle la aleta superior alrededor de la estructura del espaldar y asegúrela mediante el cierre mágico. Es importante que la lona se estire bien para ofrece el soporte adecuado a la espalda.



4. Reemplace los tornillos de la estructura del espaldar.

Con un destornillador de cabeza Phillips, vuelva a colocar los dos tornillos para asegurar la estructura del espaldar, la base de la silla y la punta de seguridad del riel de deslizamiento.

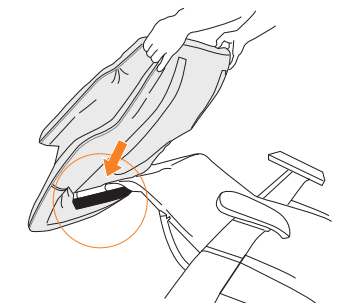


ADVERTENCIA: Debe instalar estos dos tornillos antes de utilizar la silla, de lo contrario se pueden ocasionar heridas graves.

COLOQUE EL ALMOHADÓN PARA EL CUERPO

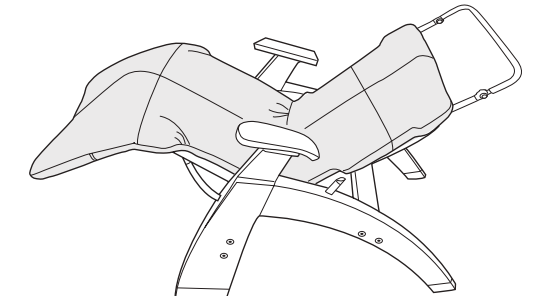
1. Coloque el almohadón para el cuerpo sobre el armazón de la silla.

Coloque el almohadón para el cuerpo sobre la parte inferior del armazón de la silla, verificando que el armazón ingrese en el bolsillo de material ubicado en la cara inferior del almohadón.



2. Asegure el almohadón para el cuerpo.

Una vez que lo haya colocado en su lugar, alise el almohadón para el cuerpo comenzando desde el apoyapies hacia el espaldar. El almohadón se asegura automáticamente usando los sujetadores de velcro.

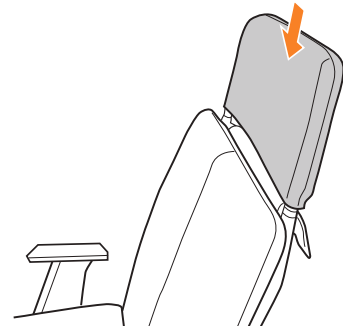


prepárese

COLOQUE EL ALMOHADÓN PARA LA CABEZA

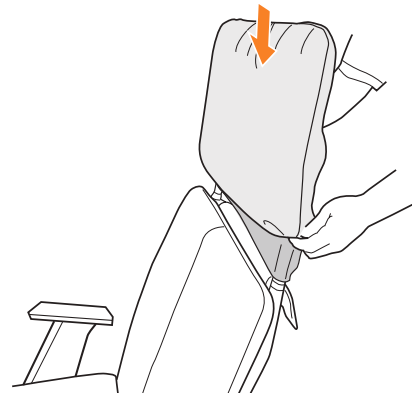
1. Coloque la funda del apoyacabeza sobre el armazón del apoyacabeza.

Coloque la funda del apoyacabeza sobre el armazón del apoyacabeza, introduciéndola tanto como sea posible. El lado acolchado de la funda del apoyacabeza debe quedar hacia la parte posterior de la silla.



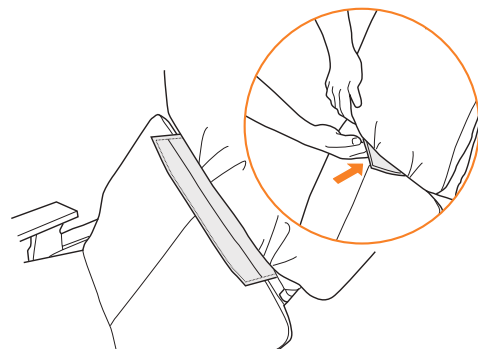
2. Coloque el almohadón para la cabeza en el armazón del apoyacabeza.

Coloque el almohadón para la cabeza en el armazón del apoyacabeza, verificando que el armazón ingrese en el bolsillo de material ubicado en la cara inferior del almohadón. Tire del almohadón para la cabeza hacia abajo tanto como sea posible.



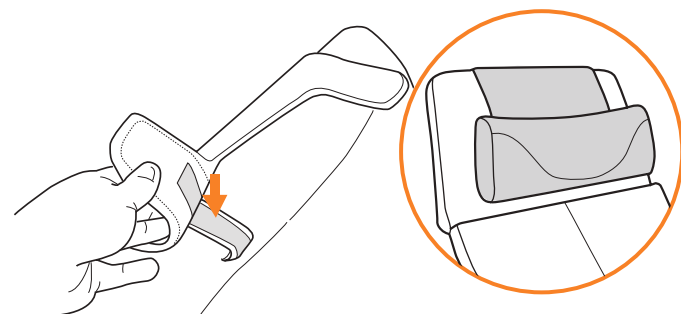
3. Meta hacia adentro la solapa del almohadón para el cuerpo.

Desde adelante de la silla, meta la solapa de la parte superior del almohadón para el cuerpo hacia el interior del almohadón para la cabeza y alísela hasta que esté plana. La solapa queda automáticamente asegurada al almohadón mediante los sujetadores de velcro.



4. Asegure el cojín de la cabeza.

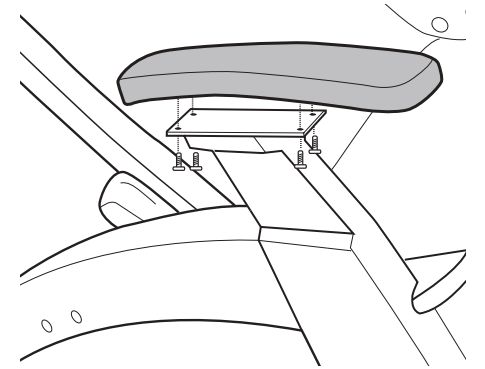
Asegure las correas del cojín de la cabeza a las correas del almohadón para el cuerpo usando los sujetadores de velcro. Ajuste la altura del cojín de la cabeza para máxima comodidad.



COLOQUE LOS CUBREBRAZOS

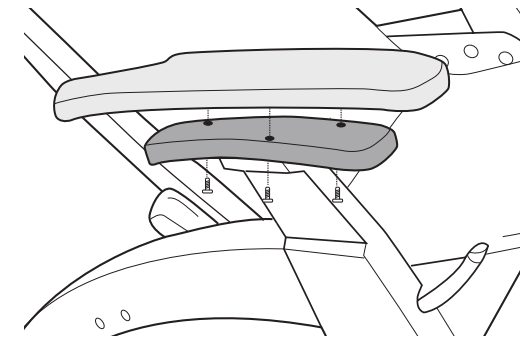
1. Coloque el soporte del brazo derecho.

Retire los cuatro tornillos enroscados en la parte superior del brazo derecho, y luego coloque el soporte del brazo en la parte superior de la placa de montaje. Asegure el soporte del brazo con los cuatro tornillos y la llave de Allen (suministrada).



2. Coloque los cubrebrazos.

Retire los tres tornillos unidos con cinta a la cara inferior del cubrebrazo derecho y luego coloque el cubrebrazo derecho sobre el apoyabrazo. Desde la parte inferior del apoyabrazo, asegure el cubrebrazo usando los tres tornillos. Repita estos pasos para colocar el cubrebrazo izquierdo.

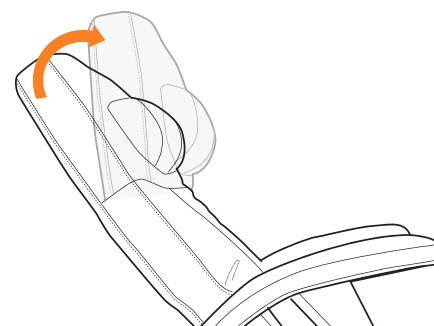
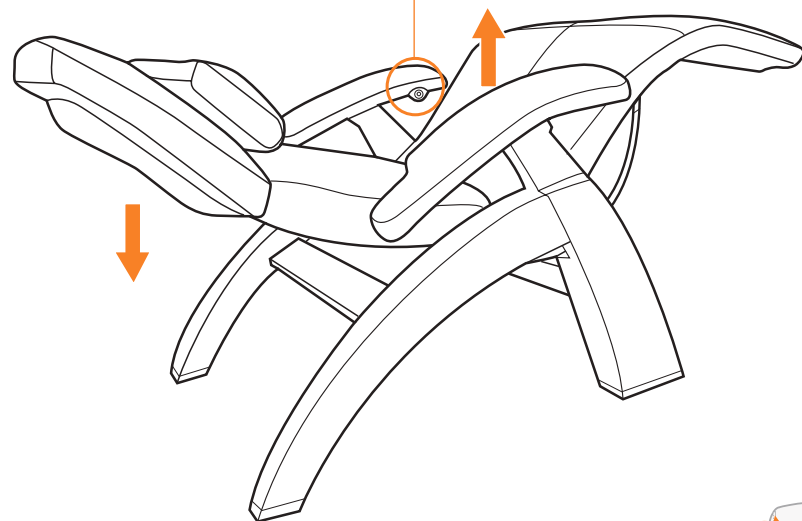
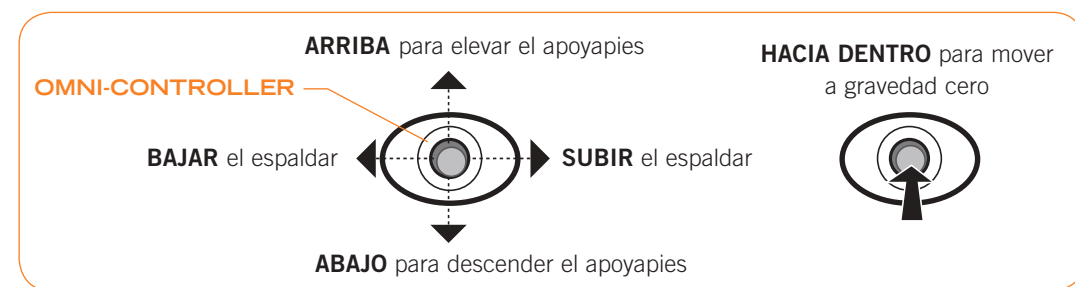


tome asiento

Ajuste el ángulo de inclinación

Antes de ajustar el ángulo de inclinación, asegúrese de que no haya nada ubicado directamente detrás o debajo de la silla. Empuje suavemente el control hacia atrás para reclinar el espaldar, hacia adelante para inclinar el espaldar, hacia arriba para elevar el apoyapiés y hacia abajo para bajar el apoyapiés. Para colocar la silla en posición de gravedad cero automáticamente, presione el control hacia adentro y manténgalo presionado hasta que la silla deje de moverse.

NOTA: Antes de reclinar la silla apóyese contra el espaldar. No aplique presión adicional sobre el apoyapiés mientras se reclina ya que esto puede impedir que el apoyapiés se extienda adecuadamente y se bloquee.



Ajuste el apoyacabeza

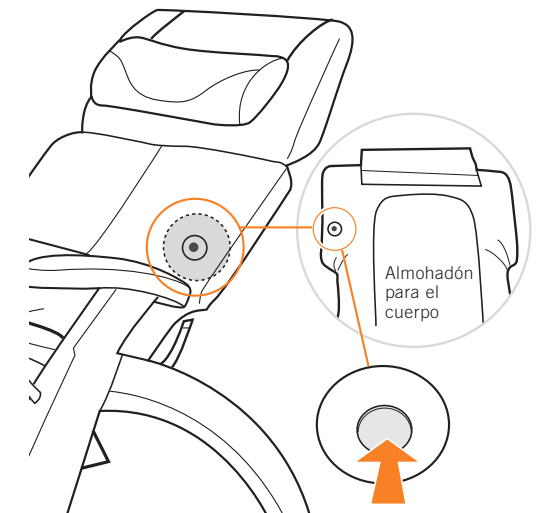
Estando sentado, levante ambas manos y tome los dos lados del apoyacabeza. Sentirá el armazón rígido debajo del almohadón blando para la cabeza. Tomándolo del armazón rígido, incline el apoyacabeza hacia adelante o hacia atrás de manera de lograr el máximo confort. El apoyacabeza permanecerá en esta posición hasta que lo ajuste nuevamente.

○ Cuando suba o baje el apoyapiés es posible que observe una ligera sensación de sacudida. Esto es provocado por el mecanismo de traba del apoyapiés y es perfectamente normal.

Su Perfect Chair de Human Touch es fácil de usar. Solo siéntese y ajuste la silla en la posición deseada. Su Perfect Chair lo posiciona cómodamente con cero gravedad, con los pies por encima del nivel del corazón, la postura neutra más novedosa para aliviar el estrés.

Ajuste del soporte lumbar

1. Para disminuir el soporte lumbar, siéntese en la silla, apóyese en el espaldar, y empuje la válvula de bola en la parte posterior de la almohadilla del cuerpo. Cuando el soporte lumbar llegue al espesor deseado, suelte la válvula.
2. Para aumentar el soporte lumbar, inclínese hacia adelante para eliminar la presión de la almohadilla y empuje la válvula de bola hacia dentro. Cuando el soporte lumbar llegue al espesor deseado, suelte la válvula. Toma aproximadamente diez segundos para que el soporte lumbar se infle completamente.



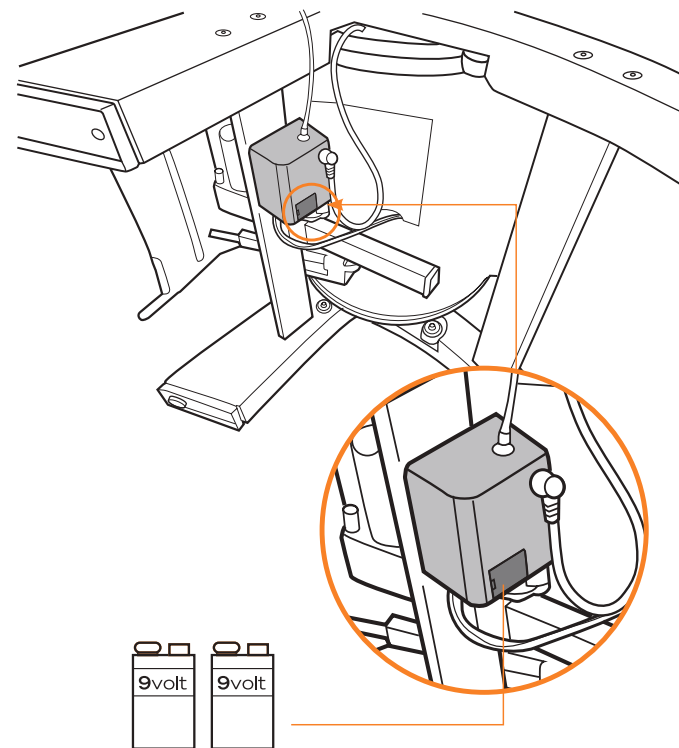
NOTAS DE FUNCIONAMIENTO DEL SOPORTE LUMBAR

- Debe retirar todo EL peso corporal de la almohadilla al incrementar el soporte lumbar.
- Si el soporte lumbar ha estado comprimido durante mucho tiempo, puede tomar hasta un minuto para regresar a su espesor máximo.
- Mientras más fría esté la almohadilla, más tarda en reaccionar a los cambios de soporte lumbar.
- Si la válvula de bola tiene fugas mientras se usa, presione la bola negra hacia dentro y con un hisopo de algodón, aplique una pequeña cantidad de Vaselina dentro de la válvula. NOTA: Es normal que el soporte lumbar regrese a su estado de expansión máxima con el tiempo.
- Mantenga los objetos filosos lejos del almohadón. El almohadón contiene una cámara de aire hermética de precisión que no funcionará correctamente si se perfora.

Función de seguridad de Human Touch: Baterías de respaldo

Su PC-610 cuenta con un sistema de respaldo a baterías para garantizar que pueda colocar la silla en posición vertical en caso de ocurrir una falla en la alimentación eléctrica. El sistema de respaldo a baterías utiliza dos baterías comunes de 9 V (no incluidas). Asegúrese de anotar la fecha de instalación de las baterías y la fecha de vencimiento. Reemplace las baterías antes de la fecha de vencimiento para asegurar que el sistema de respaldo a baterías esté operativo.

IMPORTANTE: Para usar el sistema de respaldo a baterías para colocar la silla en posición vertical y salir de la silla durante una falla en la alimentación eléctrica, presione el controlador hacia delante para volver a colocar la silla en posición recta.



IMPORTANTE: Las baterías solo se pueden usar **UNA VEZ**, después de lo cual debe reemplazarlas de inmediato.

cuidado y mantenimiento

Para mantener su producto en funcionamiento y luciendo bien, siga estos pasos simples para su cuidado.

⚠ **ADVERTENCIA:**

1. Asegúrese de desconectar el cable de alimentación del tomacorriente antes de limpiar la silla.
2. Cuando limpie el control o el interruptor de alimentación, utilice solamente un paño seco. Nunca utilice un paño húmedo para limpiar el control ni el interruptor de alimentación.
3. Asegúrese de probar las soluciones limpiadoras en una superficie pequeña no visible del producto para garantizar que el color no se desvanezca antes de usar la solución en toda la superficie del producto.
4. No utilice benceno ni disolventes en su producto.

Estándar de código de limpieza: W

Para mantener su producto Human Touch en óptimas condiciones, limpie el polvo de la silla frecuentemente y/o con una aspiradora de cepillo suave. Los productos SofSuede® también se pueden cepillar con un cepillo para gamuza. Si su producto se ensucia, use solo un limpiador de tapicería a base de agua. Para tratar las manchas, limpie el área manchada con un champú para tapicería o una espuma detergente suave.

Mantenimiento y reparación:

1. La mecánica de este producto está especialmente diseñada y construida para no requerir mantenimiento. No se requiere servicio ni lubricación periódicamente.
2. La silla sólo debe recibir servicio por parte de un centro de servicio autorizado.

Almacenamiento:

1. Cuando no se utilice por un largo período, recomendamos cubrir la silla, enrollar el cable de alimentación y colocar la unidad en un lugar libre de polvo y humedad.
2. No lo conserve cerca del calor, ni de las llamas. No deje este producto expuesto a la luz solar directa por largos períodos de tiempo. Ello puede causar decoloración o daños.
3. No utilice o almacene el producto a temperaturas extremas; si el producto se almacena a bajas temperaturas, puede ser necesario que el producto esté a temperatura ambiente por 48 horas para que funcione correctamente.
4. El producto se debe utilizar y almacenar en un ambiente sin condensación de humedad que oscile entre un 10 y un 80%. La humedad excesiva dañará la mecánica del producto.

Otras informaciones:

1. No se deben introducir objetos extraños entre los nodos de masaje ni la carcasa de la unidad.
2. Se debe tener cuidado para no sobrecargar la unidad.

Especificaciones*

Voltaje de operación:	CA 110-120 V, 60 Hz
Consumo de energía:	150 vatios
Tamaño de la silla (reclinada):	62" Largo x 31" Ancho x 30" Alto
Peso del producto:	80 lb
Espacio necesario para reclinarla:	12 pulgadas
Peso máximo de carga:	400 lb

**Las especificaciones quedan sujetas a cambio sin previo aviso.*

humantouch.com