



# PIKLER TRIANGLE ASSEMBLY

YOU'RE GOING TO NEED A 2 X PHILLIPS HEAD SCREW DRIVERS  
AND A FLAT LEVEL SURFACE

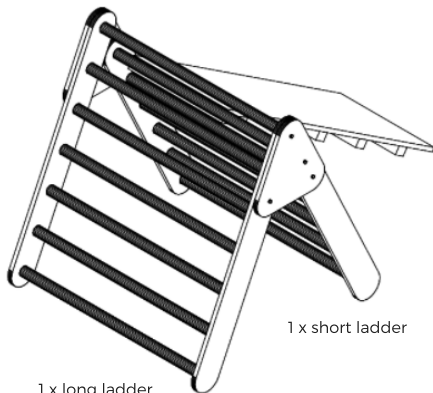
2 x triangle end pieces



6 x interlocking screws



2 x hex head screws

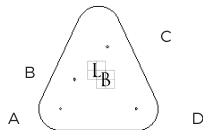


1 x long ladder

1 x short ladder

1. Lay pieces on a flat level surface and identify pieces as per above.

2. Stand ladders up next to each other. One will be shorter. Line up one of the triangle end pieces over the screw holes A, B and C. (D will not be lined up)



3. Use an interlocking screw for A and C. Use a hex head screw in hole B. Do the same for the other end.

4. You now have the triangle assembled in the "folded up" position. Open up ladders and line up screw hole D's with screw holes in the ladders. Use interlocking screws in screw hole D's. To fold up for storage simply remove the 2 x screw D's.

5. You're done!



FROM **L**ITTLE THINGS **B**IG THINGS GROW