



bluworld  
HOMelements

WATER WONDERS®



## CLASSIC QUARRY TRIPLE NOJOQUI FALLS

### Installation Manual



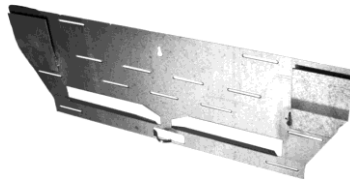
### **IMPORTANT – RETAIN FOR FUTURE REFERENCE – READ CAREFULLY**

- Try to position your fountain above or near an electrical outlet.
- When considering the location of your fountain, please consider making it easily accessible for maintenance (e.g. adding water, cleaning etc.). Avoid delicate surfaces that could be damaged by splashing.
- Consider the surface on which your waterfall will be placed. This feature can be mounted on sheetrock with wood studs, tile, brick or concrete. (No mounting hardware is included for masonry installations). Due to the weight of this fountain, it is necessary to mount directly into at least one wood stud. You **MUST** use the provided EZ Anchors™ (J) for any screw that does not hit a stud.
- Mount indoors only. It is not recommended to place your fountain in direct sunlight.
- **\*\* It is critical that your waterfall is level as this will ensure even water flow. \*\***
- **Assemble as near as possible to the point of installation. Take extreme care when lifting to avoid personal injury or damage to the product.**
- This product contains small items and plastic bags. Please be aware of the danger to young children.
- Assistance in mounting your fountain is required. You will need 2-3 people.

## Parts List Not Shown - Classic Quarry Stones (3) and Trim Strips (2)



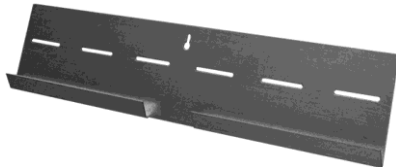
A. Bracket Template 1 each



B. Stone Wall Bracket 3 each



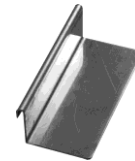
C. Remote 1 each



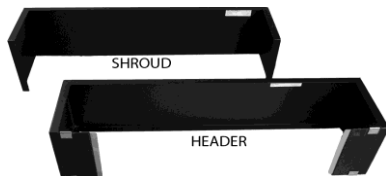
D. Reservoir Wall Bracket 3 each



E. Water Disperser 3 each



F. Water Diffuser 3 each



G. Trim Kit (your color may be different)  
1 each



H. Pump Assembly w/Flow Valve 3 each



I. River Rocks 1 each



J. Hardware Bags with scrubby pad



K. LED Light Kit with cord 1 each



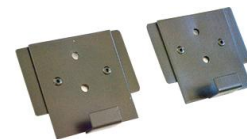
L. Reservoir 1 each



M. Pocket Clips 2 each




N. Rock Tray 1 each



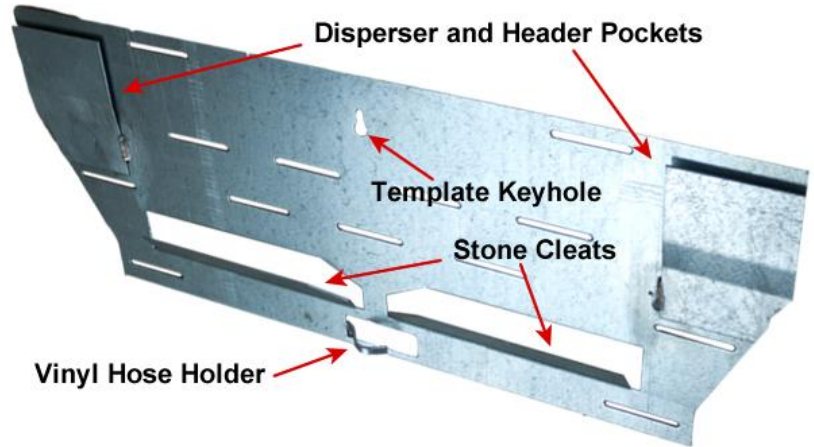
O. Bracket Spacer/Trim Strip Hanger  
2 each

## Section 1: Initial Prepping

1. Carefully remove and inspect all your Classic Quarry components from its shipping carton. **Do not install or operate unit if any parts are damaged. Please  in all packaging until your unit is installed correctly and running successfully. You may leave the **stone** on the pallet until ready to hang.**
2. It is very important to rinse your stone clean of any dust or chips that may have accumulated during shipping prior to assembling your fountain.
3. Tools required: Level, Pencil, stud finder, drill with Phillips bit, Phillips Screwdriver, and Measuring Tape.
4. The use of distilled water is strongly suggested. You will need around 17 gallons of distilled water.

## Section 2: Mounting the Wall Brackets

1. Your Triple Nojoqui Falls fountain is 58" tall x 76.5" wide. Determine where on the wall the fountain will be mounted. You may wish to block out the dimensions with low tack or painters masking tape for reference. The fountain must be mounted into studs, wood or metal. Using the stud finder locate and mark the position of the vertical and horizontal studs within the blocked out installation area. Once the studs have been located, the brackets can be installed.



2. Mark the center of the fountain's width (Triple is 38.25" - half the 76.5" overall fountain width) for reference. Using your level mark this line vertically within the installation area.

3. Identify the Bracket Template (A) from the fountain components. The top of the bracket (A) will rest exactly 4" down from the overall height of your fountain. Using the center mark of the fountain's width place the Bracket Template's (A) upper keyhole so you can see the center line through the hole. The keyholes should be in this position (Fig 2.1). Mark the top keyhole.



4. Using a Phillips screw driver and a small screw from one of your Hardware Bags (J) set the screw in the wall so that 1/4" is left protruding. Hang the Bracket Template (A) from this screw (Fig 2.2) making certain the keyhole is in the position shown in Fig 2.1.

5. Using the level make certain the Bracket Template (A) is vertically level and mark the placement of the lower keyhole for the reservoir bracket. Remove the Bracket Template (A).

6. Again using a Phillips screw driver and a small screw, set the screw in the lower keyhole mark so that 1/4" is left protruding.

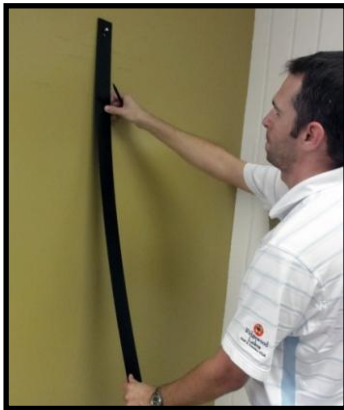


Fig 2.2



Fig 2.3



Fig 2.4

7. Hang the Stone Wall Bracket (B) from the center keyhole on the upper screw. Note the position of the marked wall studs through the numerous bracket holes. (Fig 2.3)

8. Place the level on the top of the Stone Wall Bracket (B) insuring it is level (Fig 2.3). Mark the holes that align with the wall studs. The ideal bracket installation would include screws located at the bracket's left top and bottom, right top and bottom and center. If you do not have studs at these locations you will need to use the EZ Anchors™ (J) to complete the Stone Wall Bracket (B) installation at these locations. Remove the keyhole screw as it will interfere with the installation of the stone.

9. Repeat this procedure for the Reservoir Wall Bracket (D) (Fig 2.4). Remove the keyhole screw when finished.

10. Next locate the 2 Bracket Spacer/Trim Strip Hangers (O). Secure each to the wall using the smallest screws from your hardware bags (J). Place each spacer so it is horizontally level with the center wall bracket and butted up as close to the wall bracket as possible on either side (Fig 2.5).

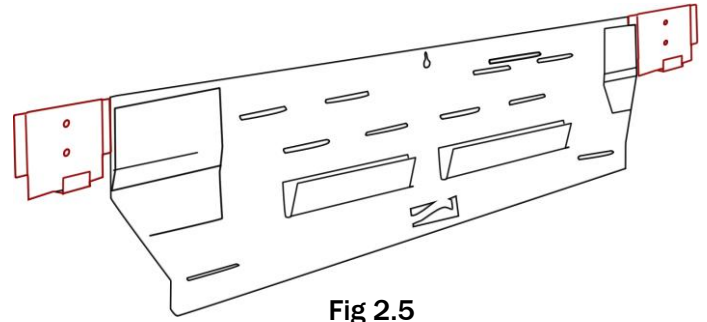


Fig 2.5

11. Once you have completed attaching the Bracket Spacer/ Trim Strip Hanger (O) to the wall on each side of the center Wall Bracket (B) you will complete steps 3-9 again to mount the 2 additional Wall Brackets (B) and 2 Reservoir Brackets (D). These brackets will be installed to the left and the right of the center bracket (Fig 2.6) Make certain the Wall Brackets are installed butted up to the Bracket Spacer/Trip Strip Hanger (O) and all are level horizontally. You may wish to use the Bracket Template (A), your level and a pencil to draw a horizontal line to the left and right of the center bracket top to insure all three Wall Brackets and Spacers are mounted level. The same applies to the reservoir brackets; they too must be level horizontally to each other.

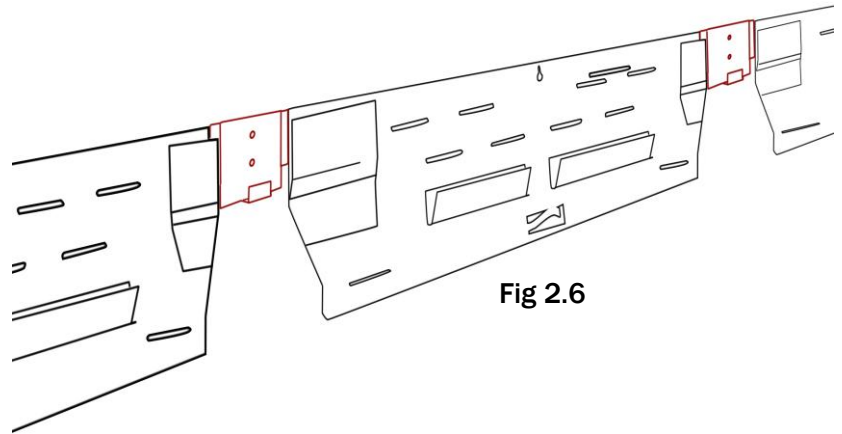


Fig 2.6

### Section 3: Mounting the Reservoir and Water Dispenser

1. Locate the reservoir (L) and the EVA Cushion Strips (P). Peel the paper off the adhesive strip and place each pad about 1" up from the bottom of the reservoir and 3" in from each side as shown in the drawing (Fig 3.1). This step may already have been done at the factory.

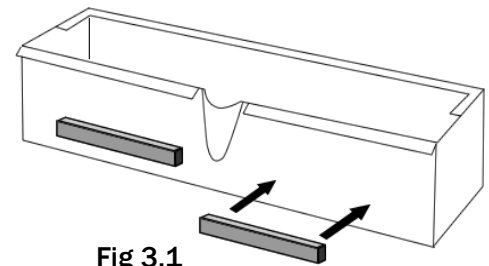


Fig 3.1

2. Hang the reservoir (L) on the 3 reservoir wall brackets (D). Make certain the reservoir (L) is well seated and centered on all 3 Reservoir Brackets (D) (Fig 3.2). The 3 Bump-Outs on the back of the Reservoir (L) correspond with the cut outs on the Reservoir Brackets (D).

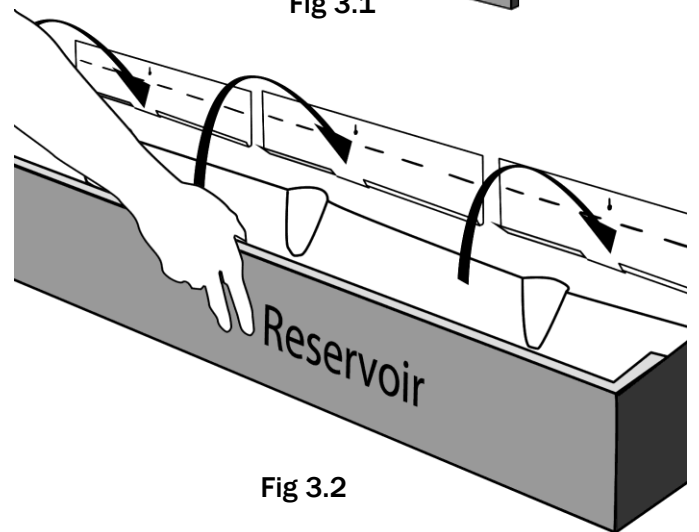


Fig 3.2

3. Locate the Water Dispensers (E). The water dispenser (E) will sit in the pockets on the stone wall bracket (B). Until the stone is mounted it will need to be placed temporarily above the bracket so the stone can be positioned on the bracket cleat. Starting with only the center Wall Bracket (B) place one Pocket Clip (M) inside each of the wall bracket pockets (B) (Fig 3.3).



The curved end of the Pocket Clip should be up and facing the wall. Next slide the tabs on the disperser (E) behind each Pocket clip (M) so it is holding up the disperser (E) (Fig 3.4); you may need to pull the clip out from the wall to slide the tab behind as it should be a very tight fit. Do not push the disperser (E) all the way down; just enough so that it doesn't fall.

4. Place the vinyl tubing inside the tube clip (Fig 3.4). It should be loose so the tube can slide freely up and down when the disperser is moved.

5. Make certain the vinyl tubing and plumbing hang straight down into the reservoir. You will place the other dispersers after mounting the first stone.

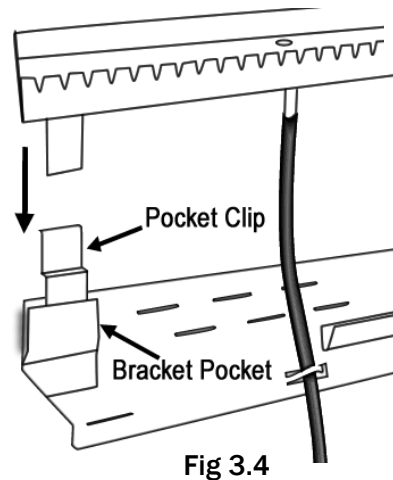


Fig 3.4

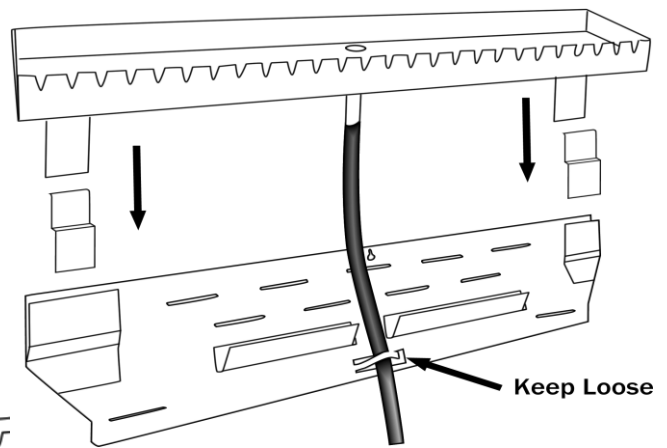


Fig 3.3

## Section 4: Mounting the First Stone

1. Remove the stones from the box. Due to the weight you will need 1 or 2 people to assist with the installation. Notice the bracket that has been anchored to the back of the slate. This will hook onto the cleat of the stone Wall Bracket (B). The cut angle is the top of the stone. Using two strong people lift the stones up from their packing and carefully move each stone to the installation area. When ready, position the first stone so it is centered in front of the reservoir (L). You may wish to rest the stone on scrap wood so you can grip under the stone when lifting to mount it on the bracket.

2. It is a good idea to have someone spot you on the position of the bracket and to see if you are centered or not on the bracket itself. Starting with the center stone



placement, lift the first stone up just above and past the mounting cleat, tip the top of the stone back so it is just under the disperser (E) and then tilt the bottom of the stone back towards the wall clearing the reservoir lip. Lower the stone until it engages the cleat. Make certain the stone is well seated on the cleat and centered from left to right on the Wall Bracket (B) **Do not mount the other two stones.**

## Section 5: Setting Each Dispenser and Diffuser

1. Gently lift the dispenser (E) of the mounted stone from behind the Pocket Clips (M) and remove each Pocket Clip out of the Wall bracket pocket (B). Slide the tabs on the dispenser (E) behind the stone and into the bracket pockets on the wall bracket (B) (Fig 5.1). The dispenser (E) should sit evenly along the angle on the stone edge. Press the dispenser (E) down firmly to ensure there are no gaps between it and the stone. Center the Dispenser (E) from left to right on the stone. You will place the Pocket Clips in the pockets of the next wall bracket for the stone you will mount. Remember to keep the pocket clips should you need to install your fountain in a new location.

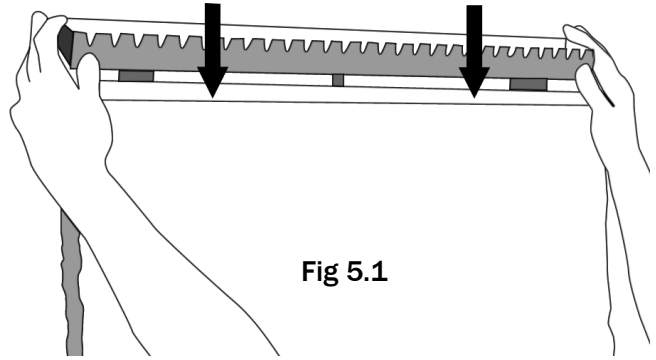


Fig 5.1

2. Drop the water diffuser (F) directly over the center of the dispenser hole (Fig 5.2). The diffuser (F) will clip on the back edge of the dispenser (E). Make certain the diffuser (F) is sitting directly over the hole (Fig 5.2).

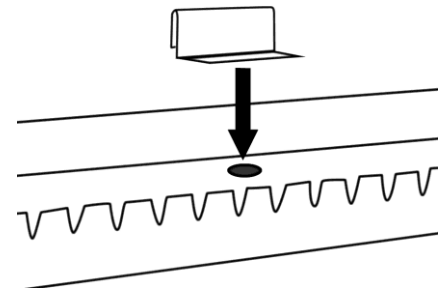


Fig 5.2

3. During the mounting of the stones the plumbing tubing and connection may have moved behind the stone. Gently lift the bottom edge of the stone forward and pull the plumbing down so it is resting in the reservoir (L). The vinyl tubing should be inside the rounded bump out in the reservoir (L) so the weight of the stone does not pinch it closed.

## Section 6: Setting the Trim Strips

1. Take the two decorative Trim Strips that came with your Trim Kit. At the top of each trim strip there is a small copper flap (Fig 6.1). This flap connects with the tab from the Bracket Spacer/ Trim Strip Hanger (Fig 6.2). The stones will hang just in front covering the edges of the trim strip.



Fig 6.1



Fig 6.2

## Section 7: Mounting Remaining Stones and Dispensers

1. Repeat mounting procedures 1 and 2 from **Section 4: Mounting the First Stone** and procedures 1-3 from **Section 5: Mounting the Dispenser and Diffusers** in sequence for each remaining stone making certain that each is well seated on the cleat. You may need to adjust the placement of the two remaining stones so that the spaces between the three stones are equal. It may also be necessary to adjust the placement of the trim strips which can be easily shifted on the hanger tab. Center each the trim piece between the stones.

## Section 7: Connecting the Pumps

1. Place each pump assembly (H) inside the reservoir (L). **DO NOT plug the pumps (H) into any outlet. Operating the pumps dry will void any warranty and burn out the pump.** You will find a vibration reducing pad affixed to each pump. Make certain the pump is resting on this pad on the bottom of the reservoir.

2. Connect each pump (H) to the plumbing for each stone using the quick connect fitting (Fig 7.1). The flow valve **should** be open. Open is when the valve is in line with the plumbing. Closed is in perpendicular position. Make certain the quick connect fitting engages fully. Hang the **pumps** **ords** over the right or left side of the reservoir (Fig 7.2), whichever is closest to the electrical outlet you plan to use.

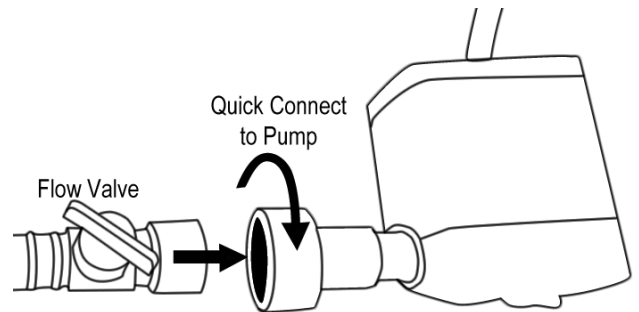


Fig 7.1

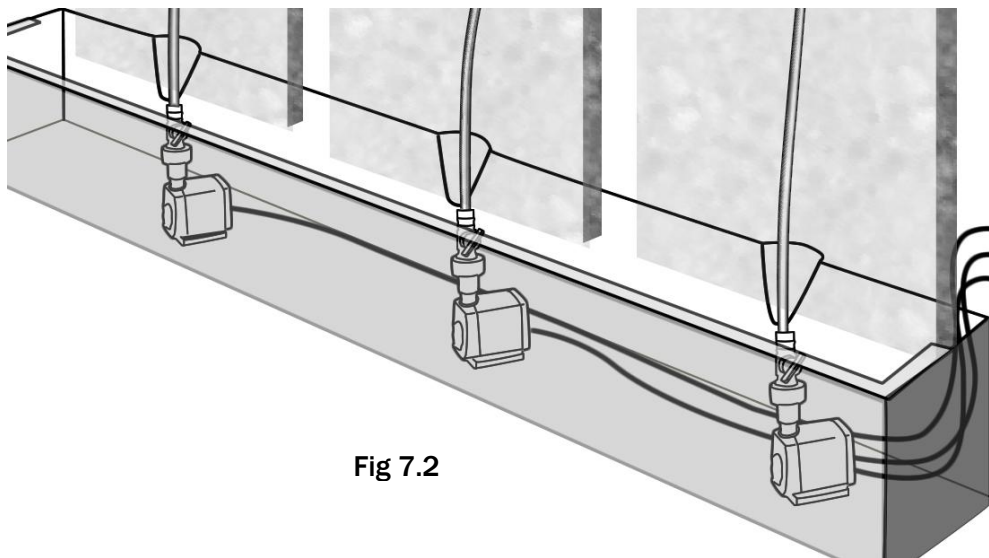


Fig 7.2

## Section 8: Installing the Header and Shroud

1. Locate the Header and Shroud from your Trim Kit (G). Note: The header has longer tabs that wrap around than the shroud. Install the Header by simply sliding the back tabs it into the support **pocket clips** located on the stone wall bracket (B). It may be a very tight fit so you may need to pull the disperser forward to allow for the header to slide down into the clip (Fig 8.1). Take a few steps back looking at the fountain and make certain the header is sitting level.

2. Install the Shroud **carefully** sliding it behind the **panel** and down onto the reservoir (L) (Fig 8.2).

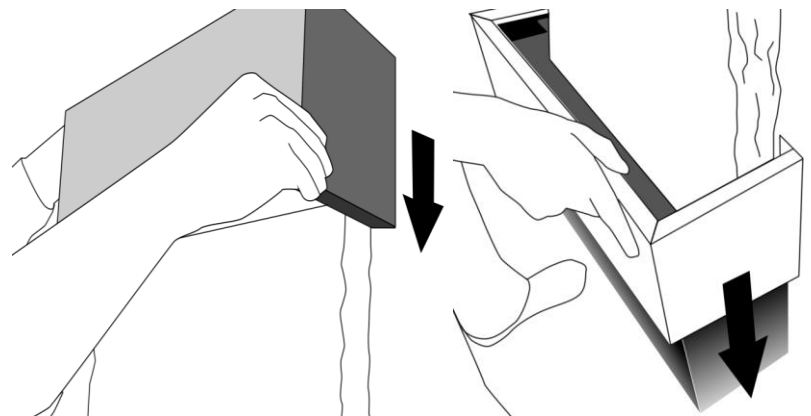


Fig 8.1

Fig 8.2

## Section 9: Installing the Light Kit

1. Carefully unwrap the LED light bar (K). Take care in handling so that the LED strips and connections to transformers are not disturbed. Remove the tie from the electrical cord.
2. Place the LED light bar (K) inside the header (G) with the LED strip facing down (Fig 9.1). It is designed to simply rest on the header held up by the 2 tabs located on either side of the light bar (G). The back of the light kit hangs down covering the castellated stainless steel disperser (E). Make certain it does not interfere with the water flow and does not touch the disperser (E).
3. Take the light cord and plug it into the transformer (Fig 92). Drape the cord through the header (G) and down the side where you will plug it in. Tuck the exposed cord behind the stone so it is concealed.
4. You are now ready to use your LED light bar.

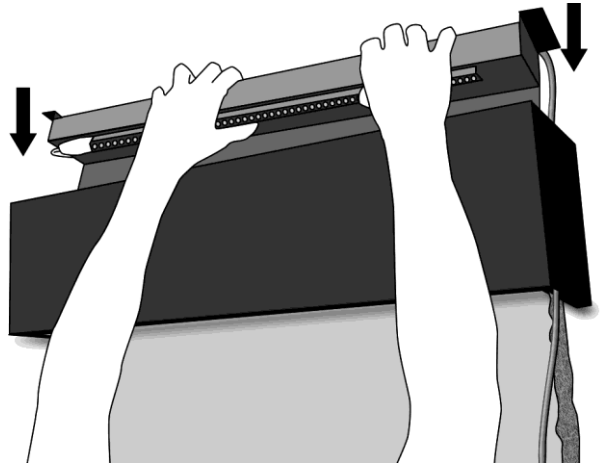


Fig 9.1



Fig 9.2

## Section 10: Operating the Waterfall

1. After mounting your fountain to the wall, fill the reservoir (L) with water (distilled water is strongly recommended). The water level must always be maintained at least 1" above the pump. If the water level drops below the pump, splashing and damage may occur.
2. Before turning on your fountain for the first time make certain the flow adjustors on all pumps are open, having the flow valve in a closed position puts excessive pressure on the pump and may cause it to overheat and break. The flow valve lets you increase or decrease the amount of water flowing over the waterfall (Fig 10.1). You will need to adjust the flow valve to the proper rate for solid water coverage but not so fast that it causes splashing.
3. Plug in the pump cords. As water begins to flow down the surface there may be dry spots. Starting at the top guide the water with your hand or sponge over the dry areas pulling the water streams together until the water flows evenly over the entire waterfall surface. It may take a few minutes. Turn the flow valve down as the pressure may be too strong and splashing may occur. Adjust each pump as needed for adequate water flow.
4. Install the Rock Tray (N) and spread Rocks (I) equally throughout the tray. Do not sit or pile any stones up against the stone slabs as this may cause minor splashing.

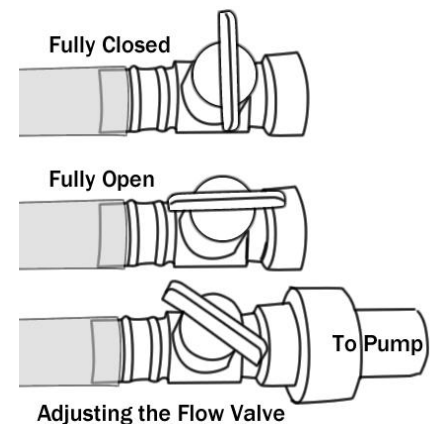


Fig 10.1





# RF Wireless LED Remote Control with Finger Slide (Auto Color Changing Functions)



## 1. Remote Control Technical Information

- Power supply: AAA battery 3pcs required
- Working voltage: DC 12V/24V
- Output control: 3circuits (R/G/B)
- Receiving range: up to 20 meters or 60 ft.

## 2. Button Functions

- Key 1: on/off
- Key 2: Color changing functions (15 functions)
- Key 3: Switch from white to color
- Key 4: Increase brightness/intensity of light or speed of color change sequence
- Key 5: Decrease/dim brightness/intensity of light or color change sequence

## 3. How to use

- Press Key 1 to turn on/off the lights.
- Press Key 2 to activate color changing functions. Press again to go to the next function, 15 total functions.
- Press Key 3 once to activate the white light, changing brightness by pressing Key 4/Key 5. Press Key 3 twice to activate color light mode, changing brightness by pressing Key 4/Key 5 or changing light color by touching the color ring.
- Resume function. The previous setting will be resumed after powering on again.
- Clear function: Press Key 4 five times within 3 seconds when power on again, the light will blink 6 times if successful.

1	Auto color changing	8 levels of brightness, adjust by pressing Key 4 or 5
2	Three colors Flash	8 levels of speed, adjust by pressing Key 4 or 5
3	Seven colors Flash	
4	Three colors gradually change	
5	Seven colors gradually change	8 levels of brightness, adjust by pressing Key 4 or 5
6	Red color Flashes	
7	Blue color Flashes	
8	Purple color Flashes	
9	Green color Flashes	
10	Yellow color Flashes	8 levels of brightness, adjust by pressing Key 4 or 5
11	Cyan color Flashes	
12	White color Flashes	
13	Red/Blue light Blink alternately	
14	Green/Blue light Blink alternately	8 levels of brightness, adjust by pressing Key 4 or 5
15	Red/Green light Blink alternately	

- 4. Caution:** Do not touch or press the color ring while loading the batteries to protect the sensitiveness. Turn on the LED Lights immediately after the batteries are loaded for the first time. Replace the batteries when you find the remote is no longer sensitive.

## Warranty

Bluworld's Warranty has changed as of August 1, 2008 and supersedes all previous warranties for product purchased after August 1, 2008. If there is printed material within this shipment it is considered void and the Warranty as stated below is policy.

Bluworld products are warranted against defects that render it unfit for its reasonably intended use. This Warranty is not extended to cover use of the product for a purpose other than as intended, and if the product is used unreasonably, or for purposes other than as intended, or if it is altered, modified or repaired by a party other than Bluworld, then the Warranty shall be null and void. The Warranty is in effect for a period of six months beginning from the date of sale to the original retail purchaser and the rights under this Warranty are limited to the original retail purchaser. Bluworld will, upon written notification thereof, take commercially reasonable steps to correct such defects (see "manufacturers defects below"), at Bluworld's sole option, by suitable repair, replacement, or refund. Bluworld will not be responsible for the installation, labor or any other costs or expenses related to the re-installation of a warranted part, and such expenses are not covered by this warranty. THIS LIMITED WARRANTY IS EXCLUSIVE AND IN LIEU OF ANY IMPLIED WARRANTY OF MERCHANTABILITY, FITNESS FOR A PARTICULAR PURPOSE, OR OTHER WARRANTY OF QUALITY, WHETHER EXPRESS OR IMPLIED, EXCEPT FOR THE WARRANTY OF TITLE AGAINST PATENT INFRINGEMENT. Corrections of nonconformities, in the manner and for the period of time provided above, shall constitute fulfillment of all liabilities of Bluworld to any Dealer with respect to the goods, whether based on contract, negligence, and strict tort or otherwise. Bluworld contract sales personnel, including but not limited to authorized Dealers and Resellers (collectively, "Sales Personnel"), are not authorized to make warranties about Bluworld merchandise.

ORAL STATEMENTS DO NOT CONSTITUTE WARRANTIES. Oral statements made by Bluworld employees or other Sales Personnel shall not be relied upon by a Dealer and shall not become part of any contract for sale. The entire sales contract between a Dealer and Bluworld will be set forth in the invoice and/or accompanying or reference documents provided by Bluworld to the Dealer or Sales Personnel. No other warranties are given beyond those set forth in those documents. Please be aware that you may have valuable rights under the state law in which you reside. Some of the provisions of this Warranty may be prohibited by your state law in which case your state law will govern and control. Some states do not allow the exclusion or limitation of incidental or consequential damages, so the above limitation or exclusion may not apply to you. Some states do not allow limitations on how long an implied warranty lasts, so the above limitations may not apply to you. This Warranty gives you specific legal rights, and you may also have other rights which vary from state to state.

Our products are warranted for a period of six months against defects in finish, pumps and other product performance issues. Light bulbs are not warranted. Our experience has shown that in practically 100% of incidents that any defect is apparent within a week of installation and use. Appearance defects should be noticed upon unpacking the fountain. We have found that finishes have 'failed' due to poor maintenance, local water conditions with minerals affecting the finish, attempts to clean with harsh chemicals or abrasive pads being used. Performance of water flow, spitting, and other 'leaks' are usually caused by debris getting into the fountain, buildup of minerals, algae from poor water or lack of maintenance. Pumps can also fail due to water levels not being maintained in the reservoir and this is not covered by the warranty.

Manufacturers Defect defined - A distinct and obvious flaw in the manufacturing of the product that inhibits the product's ability to function properly or a distinct and obvious flaw in the workmanship of the product that affects its physical appearance. Bluworld water features are manufactured under generally accepted manufacturing techniques as recognized by the International Organization of Standardization. Our products are handmade and hand finished thus minor scratches in materials within accepted ranges are not considered defects.

Slate- Many of our products contain natural slate. Slate can vary to a large degree and that individuality is what is considered to be unique and inherent to the beauty of the natural product as no two are exactly alike. Photos in our marketing materials are representative of our slate products but should not be relied on to duplicate the photo. We use natural mined slate in our products. Personal taste in the appearance of slate is not considered a reason for a return.