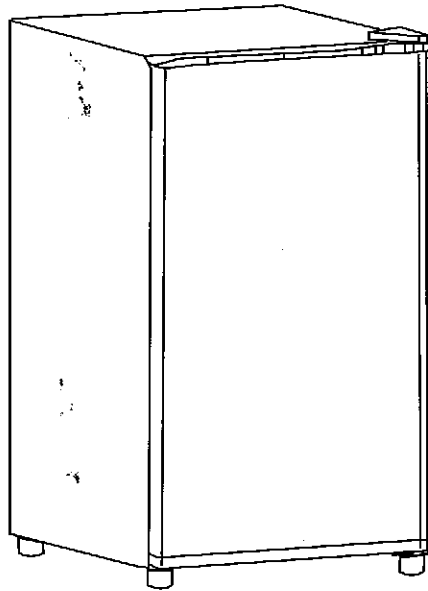
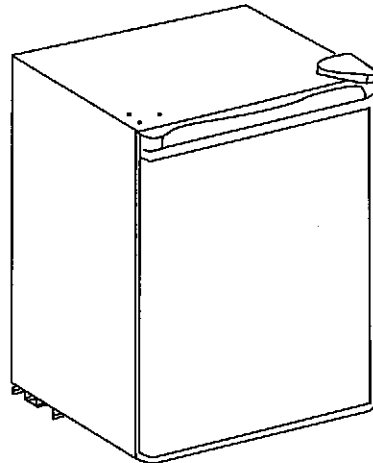


REFRIGERATOR OPERATING INSTRUCTIONS



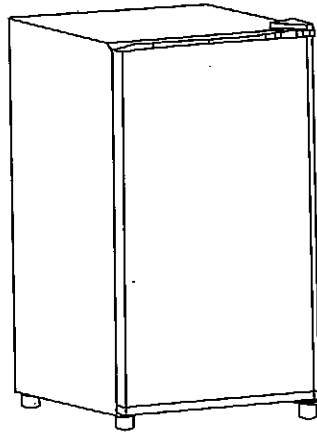
BC-128



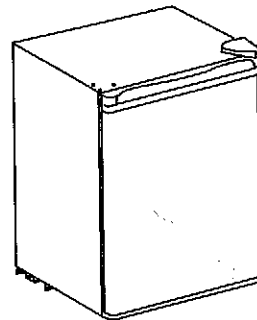
BC-46

Read the instruction carefully before using your refrigerator!

TABLE OF CONTENTS



BC-128



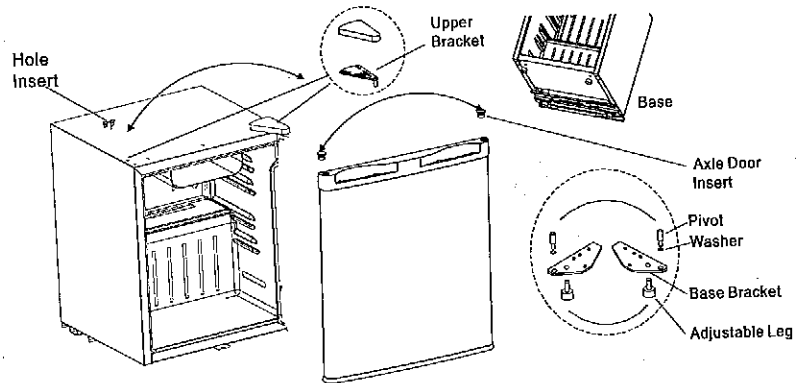
BC-46

GETTING TO KNOW YOUR UNIT	1
PREPARING YOUR REFRIGERATOR FOR USE	
Important Safety Tips	2
Unpacking Your Refrigerator	2
Connecting Your Refrigerator	3
OPERATING PROCEDURES & MAINTENANCE	
Temperature Control	3
Defrosting Your Refrigerator	4
Using Your Freezer Compartment	4
Cleaning Your Refrigerator	4
Moving Your Refrigerator	5
TROUBLESHOOTING	
Problems & Possible Causes	6
PARTS BREAKDOWN	7
ELECTRICAL CIRCUIT DIAGRAM.....	8
GENERAL RECOMMENDATIONS.....	9
DOOR REVERSAL INSTRUCTIONS.....	10

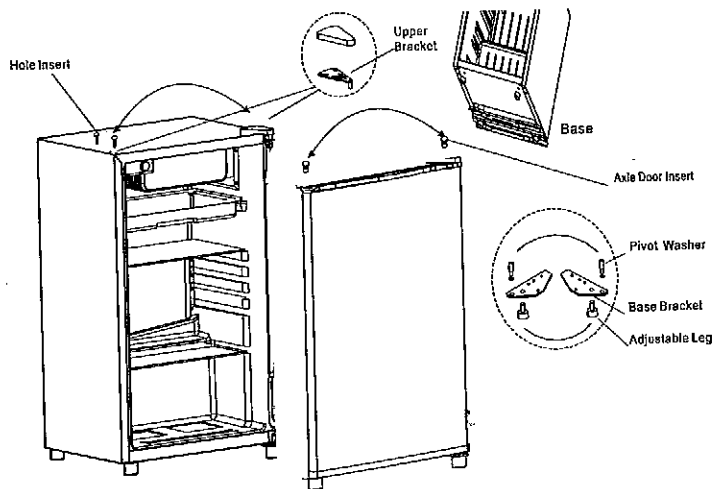
DOOR REVERSAL INSTRUCTIONS

BC-6

Your refrigerator is built with a reversible door. You have the choice of either opening it from the left or the right side. In order to reverse the opening direction of your door, please follow these simple instructions.



BC-128



REFRIGERATOR OPERATING INSTRUCTIONS

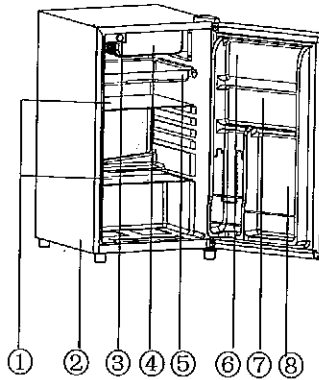
Read the instructions carefully before using your refrigerator.

I. GENERAL

This refrigerator is best utilized for refrigerating and preserving foods such as fruits and beverages.

II. GETTING TO KNOW YOUR UNIT (Fig. 1)

- (1) Removable Food Shelf
- (2) Freezer Compartment
- (3) Temperature Dial
- (4) Temperature Thermostat Box
- (5) Drip Tray
- (6) Dairy Rack
- (7) Food Rack
- (8) Bottle Rack



- ① Ice Cube Tray
- ② Temperature Control Knob
- ③ Drip Tray
- ④ Removable Shelf
- ⑤ Freezer Compartment
- ⑥ Dairy Rack
- ⑦ Bottle Rack
- ⑧ Adjustable Legs

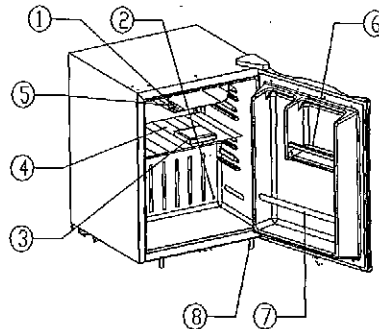


Fig. 1

1) **WARNING:** This appliance is not intended for use by persons (including children) with reduced physical, sensory or mental capabilities, or lack of experience and knowledge, unless they have been given supervision or instruction concerning use of the appliance by a person responsible for their safety.

2) **WARNING:** Children should be supervised to ensure that they do not play with the appliance.

3) **WARNING:** If the supply cord is damaged, it must be replaced by the manufacturer or its service agent or a similarly qualified person in order to avoid a hazard.

LIMITED APPLIANCE WARRANTY

TERMS OF WARRANTY

First 12 Months During the first 12 months, any functional parts of this product found to be defective, will be repaired or replaced, at Warrantor's option, at no charge to the Original Purchaser.

To Obtain Warranty Service It will be the consumer's responsibility to transport the appliance (at their own expense) to the original retailer/RV Dealer (point of purchase) for warranty service. Proof of Purchase date will be required for warranty claims.

Nothing within this warranty shall imply that Midwest Sales & Service will be responsible or liable for any spoilage, or damage to food or other contents of this appliance, whether due to any defect of the appliance, or its use, whether proper or improper.

EXCLUSIONS

Save as herein provided, Midwest Sales & Service, there are no other warranties, conditions, representations, or guarantees, express or implied, made or intended by Midwest Sales & Service or its authorized distributors and all other warranties, conditions, representations or guarantees, including any warranties, conditions, representations, or guarantees under any Sale of Goods Act or like legislation or statute is hereby expressly excluded. Save as herein provided, Midwest Sales & Service shall not be responsible for any damages to persons or property, including the unit itself, howsoever caused or any consequential damages arising from the malfunction of the unit and by the purchase of the unit, the purchaser does hereby agree to indemnify and hold harmless Midwest Sales & Service from any claim for damages to persons or property caused by the unit.

GENERAL PROVISIONS

No warranty or insurance herein contained or set out shall apply when damage or repair is caused by any of the following:

- 1). Power Failure
- 2). Damage in transit or when moving the appliance
- 3). Improper power supply such as low voltage, defective house wiring or inadequate fuses.
- 4). Accident, alteration, abuse or misuse of the appliance such as inadequate air circulation in the room or abnormal operating conditions (extremely high or low room temperature)
- 5). Use for commercial or industrial purposes
- 6). Fire, water damage, theft, war, riot, hostility, acts of God
- 7). Improper Installation

Midwest Sales & Service Inc.
917 South Chapin Street
South Bend, Indiana 46601
Phone: 574-287-3365
Fax: 574-287-3429

1-800-772-7262

PREPARING YOUR REFRIGERATOR FOR USE

IMPORTANT SAFETY TIPS

- Read all the instructions contained in this manual very carefully before using your refrigerator.
- **Danger: Risk of child entrapment**
- Once you have unpacked the product, keep the materials out of reach, especially from children.
- Before throwing away a refrigerator or freezer, make sure the doors have been removed. For added assurance, leave the shelves in place so that children may not easily climb in.
- Do not clean your refrigerator with flammable fluids. The fumes can create a fire hazard or explosion.
- Do not tip over
- If the refrigerator is brought in from outside in winter time, give it a few hours to warm up to room temperature before plugging it in.
- When using electrical appliances, basic safety precautions should be followed to reduce the risk of fire, electric shock, and injury to persons or property. Read all instructions before using any appliance.
- Do not operate this or any other appliance with a damaged cord. No other appliance should be plugged into the same outlet. Be sure that the plug is fully inserted into the receptacle.
- Do not run cord over carpeting or other heat insulators. Do not cover the cord. Keep cord away from traffic areas, and do not submerge in water.
- We do not recommend the use of an extension cord as it may overheat and cause a risk of fire.
- Unplug the unit before cleaning or making repairs.
- Exercise caution and use reasonable supervision when the appliance is used by or near children.



do not use with extension cord.



To Prevent A Child From Being Entrapped, Keep Out Of Reach Of Children And Not In The Vicinity Of Freezer (Or Refrigerator).

UNPACKING YOUR REFRIGERATOR

UNPACKING YOUR REFRIGERATOR

1. Unpacking

Cut off the packing band, then pull the carton up.
Remove the exterior and interior packaging.

2. Make sure that all the parts listed below are included with your refrigerator:

- 1 ice tray
- 1 removable shelf
- 1 drip tray

3. Clean the interior with lukewarm water and a soft cloth.

4. Find a location for your refrigerator that is protected from direct sunlight and other sources of heat. Place the refrigerator on a level surface. Make sure that there is at least 5 inches (13cm) of space between the back of your unit and the wall. Avoid locating the appliance in moist areas. Too much moisture in the air will cause condensation to form, requiring more frequent defrosting.

5. Allow one hour for the refrigerant fluid to settle before plugging it in.

6. Repacking

Please remember to put the original foamed pads in place.

Be sure refrigerator stays in upright position during moving

Do not tilt more than 45 degrees.

Do not apply force on any external part such as pipe, condenser, door and its handle for moving refrigerator.

Refrigerator must be well packed and secured in long distance transportation to avoid damage from impact.

CONNECTING YOUR REFRIGERATOR

* Improper use of the grounded plug can result in the risk of electrical shock.

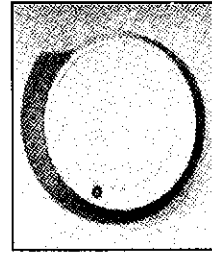
1. This unit should be properly grounded for your safety. The power cord of this appliance is equipped with a three-prong plug which mates with standard three prong wall outlets to minimize the possibility of electrical shock.
2. Plug your appliance into an exclusive, properly installed, grounded wall outlet. Any questions concerning power and or grounding should be directed toward a certified electrician.
3. This appliance requires a standard 220-240V~ 50Hz/115V~ 60Hz electrical outlet with three-prong ground.

OPERATING PROCEDURES & MAINTENANCE

TEMPERATURE CONTROL

1. Your refrigerator has only one control for regulating the temperature. The knob is located beside the freezer compartment.
2. The range of the temperature control is from minimum (the warmest) to maximum (the coldest). After 24 to 48 hours, adjust the temperature control to the setting that best suits your needs.

It is recommended to set the thermostat between 1-3, if ambient temperature is below 30 degrees, between 3-5, if ambient temperature is below 25 degrees and between 6-7, if ambient temperature is below 15 degrees.



3. To turn the refrigerator off, turn the temperature control to 0.
 - Turning the temperature control to the "0" position, shuts off the power to the refrigerator.
 - If the unit is unplugged, or shut off due to a power failure; you must wait three to five minutes before restarting the unit. If you attempt to restart before this time delay, the refrigerator will not start.
 - Large amounts of food will lower the cooling efficiency of the appliance. It is recommended that 70% of storage volume is loaded as too much food will affect the cold air circulation.
4. The drip tray can be used to improve the cooling in the refrigerator or the freezing compartment.
 - To increase the cooling in the refrigerator compartment, remove the drip tray.
 - To increase the cooling in the freezer compartment, leave in the drip tray.

DEFROSTING YOUR REFRIGERATOR

1. For the most efficient operation and minimum energy consumption, defrost the freezer compartment when the frost on the freezer walls is 3 or 4mm thick or more.
2. Remove the frozen food from the freezer and place it in a cooler to protect the food.
3. Turn the thermostat knob to "0". The compressor will go off.
4. During the defrost, the ice melts into the drip tray. The water must be removed from the water collection tray.
5. Dry the water collection tray and place it back under the freezer compartment.
6. Clean the interior of the refrigerator and reset the thermostat to your desired setting. You may now refill your refrigerator.

Please Note: Do not use boiling water because it may damage the plastic parts. In addition, never use a sharp or metallic instrument to remove frost as it may damage the cooling coils. Defrosting usually takes a few hours. Leaving the door open will help speed up the process.

OPERATING PROCEDURES & MAINTENANCE

USING YOUR FREEZER COMPARTMENT

1. This compartment is designed for short term storage and for producing ice cubes.
2. This compartment does not get cold enough to keep food frozen safely for long periods of time. It works best when food is already frozen.
3. This freezer compartment is not a true freezer and may not keep ice cream frozen, or freeze items other than ice cubes.
4. A colder setting may be a good idea for these items, but keep in mind that items in the refrigerator may be affected.
5. Do not allow excessive ice to form around the evaporator, it may damage your refrigerator. Be sure to defrost the unit when ice reaches 3 or 4mm thick.
6. The ice cube tray must be set on the freezer compartment floor in order to freeze properly.

CLEANING YOUR REFRIGERATOR

1. Upon installing your new refrigerator, it is recommended that it be cleaned thoroughly.
2. Turn the temperature control to "0", unplug the refrigerator, and remove the food, shelves, and trays.
3. Wash the inside with a damp warm cloth containing water and baking soda solution. The solution should be about two table spoons of baking soda to a quart of water.
4. Wash the shelves and trays with a mild detergent solution.
5. Make sure you always keep the door gasket (seal) clean to keep the unit running efficiently.
6. The outside of the refrigerator should be cleaned regularly with a mild detergent and warm water.
7. Dry the interior and exterior with a soft cloth.
8. It is recommended that the unit be cleaned each time it is defrosted to help keep the unit odor free and running efficiently.
 - To prevent odors, it is recommended to keep an open box of baking soda inside the refrigerator.

MOVING YOUR REFRIGERATOR

1. Remove all contents, and make sure to tape down any loose items.
2. To avoid damaging the leveling screws, turn them all the way into the base.
3. Tape the door shut.
4. Make sure your refrigerator stays in the upright position during transportation.

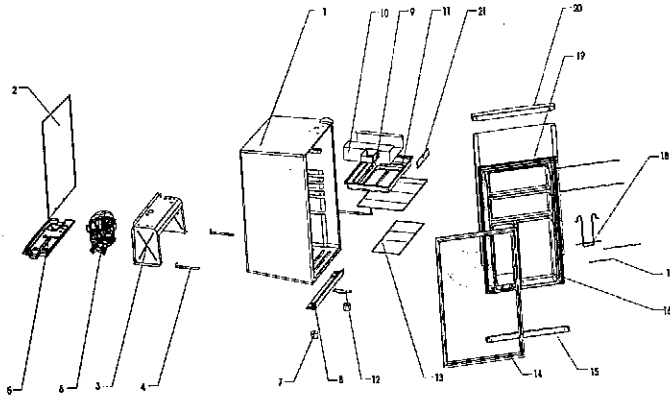
TROUBLESHOOTING

PROBLEM	POSSIBLE CAUSE
Refrigerator does not work	<ol style="list-style-type: none">1. It may not be plugged in.2. The circuit breaker tripped or a fuse may be blown.3. The refrigerator temperature control is set to "0"
The compressor turns on and off frequently	<ol style="list-style-type: none">1. The room temperature is hotter than usual.2. The refrigerator is filled to its maximum capacity.3. The door is opened too often.4. The door is not closed completely.5. The thermostat is set too low.6. The door's magnetic gasket does not seal properly.
Vibrations	<ol style="list-style-type: none">1. The refrigerator may not be leveled properly.
The refrigerator makes too much noise	<ol style="list-style-type: none">1. The noise may come from the flow of the refrigerant, which is normal.2. As each cycle ends, you may hear gurgling sounds caused by the flow of refrigerant in your refrigerator.3. Contraction and expansion of the inside walls may cause popping and crackling noises.4. The refrigerator is not level.
The door will not close properly	<ol style="list-style-type: none">1. The refrigerator is not level.2. The gasket is dirty.3. The shelves, bins, or baskets are out of position.

PARTS BREAKDOWN

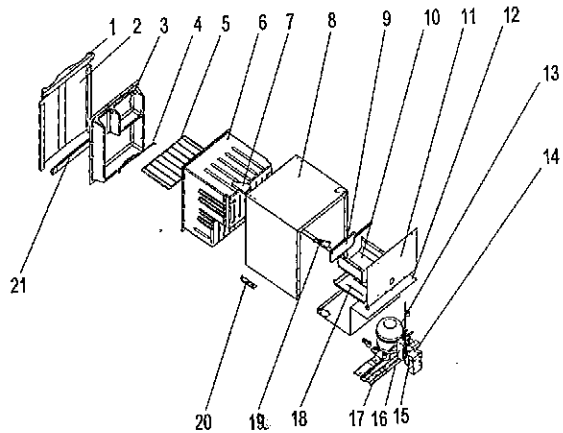
BC-128

- | | | | |
|-------------------------|-------------------------|---------------------|------------------|
| 1. Outline - border | 7. Foot screw | 13. Shelf | 19. Door sheet |
| 2. Rear panel | 8. Reinforcement bottom | 14. Door gasket | 20. Door bar-top |
| 3. Compressor housing | 9. Thermostat complete | 15. Door bar-below | 21. Freezer door |
| 4. Foot bracket | 10. Evaporator Shelf | 16. Door innerliner | |
| 5. Compressor | 11. Dew tray | 17. Door shelf | |
| 6. Compressor supporter | 12. Hinge below | 18. Can dispenser | |



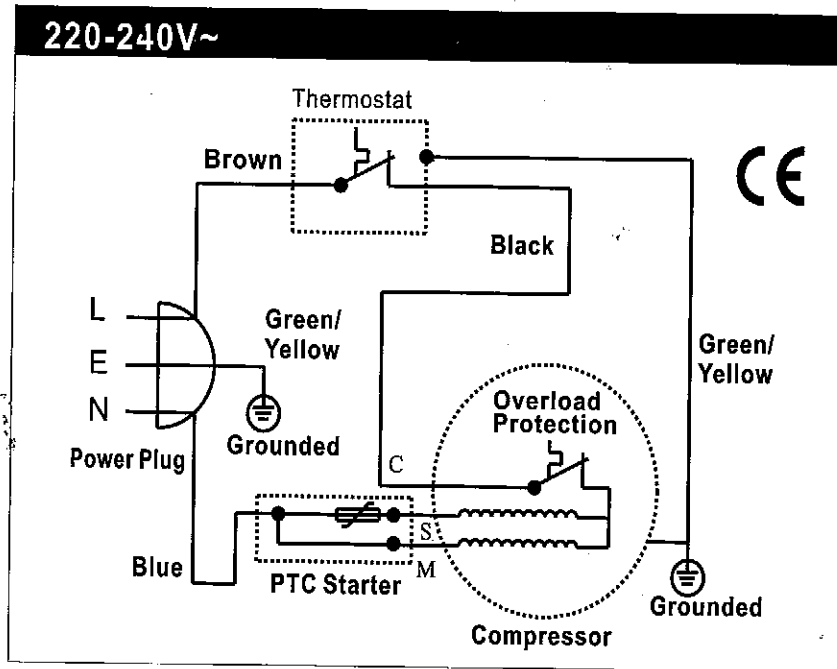
BC-48

1. Doorbar - top
2. Door - sheet
3. Door - outback
4. Bottle - railing
5. Rack
6. Cabinet
7. Up-door hinge cover
8. Outline - border
9. Freezer door
10. Freezer
11. Back - border
12. Bottom - bordr
13. Compressor
14. Thermostat - border
15. Thermostat
16. Thermostiat cover
17. Com-fix border
18. Dew tray
19. Up-door hinge
20. Low-door hinge
21. Doorbar - bottom



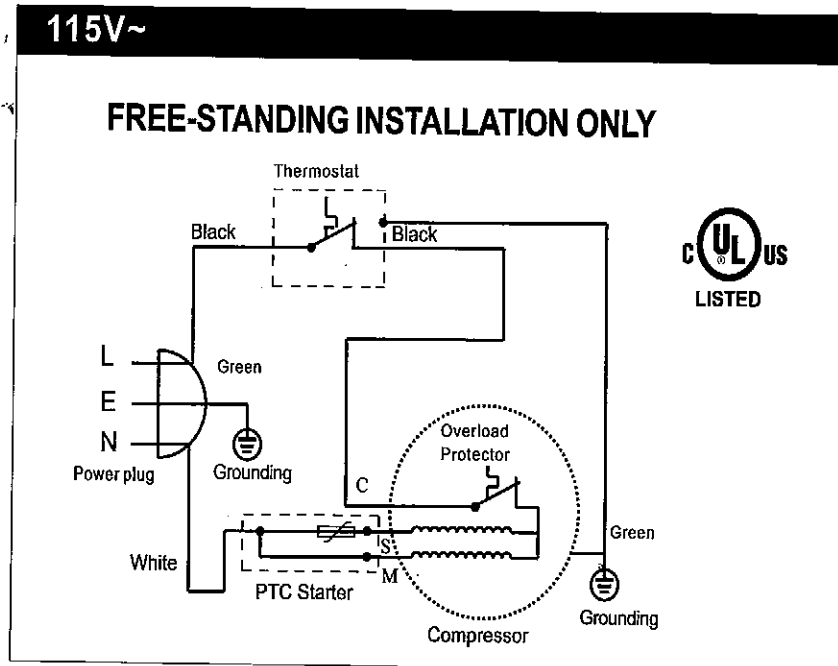
ELECTRICAL CIRCUIT DIAGRAM

220-240V~



115V~

FREE-STANDING INSTALLATION ONLY



GENERAL RECOMMENDATIONS

- * CHOOSE A WELL VENTILATED PLACE TO INSTALL IT, AWAY FROM DIRECT SUNLIGHT AND AT A PROPER DISTANCE FROM STRONG HEAT SUCH AS OVENS, STOVES AND FLAMMABLE PRODUCTS.
- * CHECK IF THERE IS ENOUGH ROOM IN FRONT OF THE FREEZER FOR THE DOOR TO OPEN COMPLETELY ONCE IT IS INSTALLED.
- * ONCE THE FREEZER IS INSTALLED, CHECK IF IT IS LEVEL, AND WITH ITS FEET STANDING FIRMLY ON THE FLOOR.
- * THE PROPER LEVELING SHOULD BE CHECKED WITH THE DOOR CLOSED
- * THE PROPER LEVELING WILL AVOID THE FREEZER FROM SWAYING AND WILL CONTRIBUTE TO ITS PERFECT OPERATION AND PROPER ENERGY CONSUMPTION.
- * WAIT FOR AT LEAST 3 HOURS BEFORE CONNECTING THE FREEZER, AFTER PURCHASING IT. THIS WILL AVOID MALFUNCTION PROBLEMS.
- * FOR YOUR SAFETY, HAVE THE ELECTRICAL WIRING WHERE THE FREEZER WILL BE INSTALLED CHECKED BY A QUALIFIED ELECTRICIAN.
- * KEEP IN MIND THAT YOU HAVE PURCHASED A PRODUCT FOR HOUSEHOLD USE.