

INSTRUCTION MANUAL



Model: CM1203-UL

**Read this booklet thoroughly before using and
save it for future reference**

IMPORTANT SAFEGUARDS

When using electrical appliances, basic precautions should always be followed, including the following:

1. Before using check that the voltage power corresponds to the one shown on the appliance nameplate.
2. Do not operate any appliance with a damaged cord or plug or after the appliance malfunctions, or has been damaged in any manner. Return appliance to the nearest authorized service facility for examination, repair or adjustment.
3. Do not touch hot surfaces. Use handles or knobs.
4. All the accessories must be complete and in good condition.
5. To protect against fire, electric shock and injury to persons do not immerse cord, plug, or in water or other liquid.
6. Close supervision is necessary when any appliance is used by or near children.
7. Unplug from outlet when not in use and before cleaning. Allow to cooling before putting on or taking off parts, and before cleaning the appliance.
8. The use of accessory not recommended by the appliance manufacturer may result in fire, electric shock or injury to persons.
9. Do not use outdoors or for commercial purpose.
10. Do not let cord hang over edge of table or counter, or touch hot surface.
11. Do not place on or near a hot gas or electric burner, or in a heated oven.
12. Do not use appliance for other than intended use.
13. Do not set a hot container on a hot or cold surface.
14. To disconnect, turn any control to “OFF”, remove plug from wall outlet. Always hold the plug. But never pull the cord.
15. The appliance can be only operated on a hard and flat surface.
16. Before connecting the power supply of this appliance, please make sure that the water tank is always tightly installed on the appliance and its cover must be tightly covered, and the water filled cannot be higher than the “MAX” mark.
17. When brewing coffee, do not remove the water tank and open the water tank lid as well as keep your hand, head, face and body away from the coffee outlet in order to avoid personal injury and product damage caused by steam and hot water. Make sure that the coffee cup is removed after the coffee-brewing is finished.

18. Do not remove the water tank before the power supply of the appliance is cut off.

19. This appliance is not intended for use by persons (including children) with reduced physical, sensory or mental capabilities, or lack of experience and knowledge, unless they have been given supervision or instruction concerning use of the appliances by a person responsible for their safety.

20. Children should be supervised to ensure that they do not play with the appliance.

SAVE THESE INSTRUCTIONS HOUSEHOLD USE ONLY

NOTES ON THE CORD PLUG:

This appliance has a polarized plug. To reduce the risk of electric shock, this plug is intended to fit into a polarized outlet only one way. If the plug does not fit fully into the outlet, reverse the plug. If it still does not fit, contact a qualified electrician. Do not attempt to modify the plug in any way.

CAUTION: STEAM

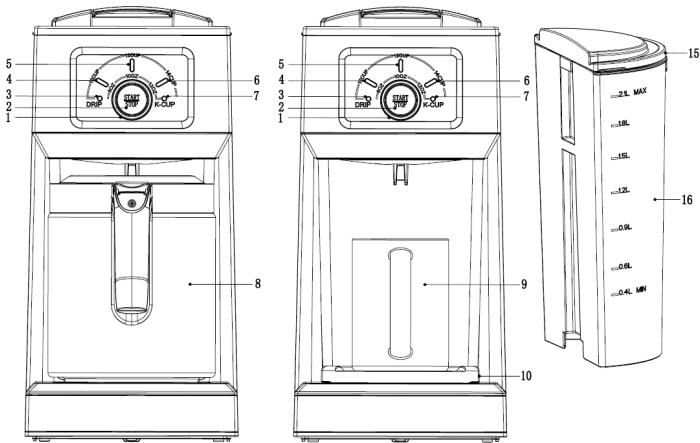
To avoid personal injury and product damage caused by steam and hot water, do not remove the water tank and open the top lid and handle, and keep the human body away from the coffee outlet while brewing coffee. Please make sure the program is finished before moving the coffee cup.

PROPER USE OF COFFEE MACHINE

Please use regular coffee machine capsules and coffee powder.

To keep the appliance in good working condition, we recommend that the appliance should be descaled regularly. Please contact our service center for details on how to do this.

KNOW YOUR COFFEE MACHINE



1. Cup size knob 2. START/STOP button 3. DRIP indicator 4. 10CUP/8OZ indicator
5. 12CUP/10OZ indicator 6. 14CUP/12OZ indicator 7. K-CUP indicator
8. Glass carafe 9. Ceramic cup (Self-provided) 10. Cup holder
11. Magnetic induction switch (see below) 12. Top cover microswitch (see below)
13. Small brewing basket (see below) 14. Funnel (see below) 15. Water tank lid
16. Water tank 17. Magnet of cup holder

BEFORE USING THE APPLIANCE FOR THE FIRST TIME

Clean the appliance for optimum operating condition before first use. Please refer to the section of “**KNOW YOUR COFFEE MACHINE**” to learn about this appliance and recognize all parts.

1. Remove the stickers and labels from the appliance.
2. Remove the water tank, funnel and small brewing basket, and then put them into the clean water with mild detergent. Clean each part thoroughly and then install them back into the appliance.
3. Please refer to the instructions in the section “**PLACING THE FUNNEL**” before replacing or removing the funnel and small brewing basket.

IMPORTANT NOTES

Check the running condition of appliance under drip coffee-brewing mode

1. Fill the “Water tank (16)” with water, of which level should not exceed the “MAX” mark on the “Water tank (16)”.
2. Connect the appliance with power source, the “DRIP indicator (3)” illuminates in red at half brightness and “10CUP/8OZ indicator (4)” flashes.
3. Place the Funnel (14) well in position and close the top cover.
4. Place the “Glass carafe (8)” attached well in position and select the desired cup size. Make sure the “Cup holder (10)” shall be turned upwards, otherwise the program can not be activated.
5. Press the “START/STOP button (2)”.
6. The “DRIP indicator (3)” illuminates at full brightness, and the indicator of selected cup size lights solidly. The appliance starts to brew coffee until the program is ended, then the “DRIP indicator (3)” illuminates at half brightness and the appliance enters into the 2-hour keep-warm mode. After finish keeping warm, the indicator of selected cup size flashes, which means that the appliance goes back to the standby mode.

Check the running condition of appliance under K-CUP coffee-brewing mode

1. Fill the “Water tank (16)” with water, of which level should not exceed the “MAX” mark on the “Water tank (16)”.
2. Connect the appliance with power source, the “DRIP indicator (3)” illuminates in red at half brightness and “10CUP/8OZ indicator (4)” flashes.
3. Place the funnel loaded with the small brewing basket well in position, the “K-CUP indicator (7)” illuminates in blue at half brightness, close the top cover well.
4. Turn the Cup holder downwards to make it be placed on the warming plate, otherwise the program can not be activated.
5. Place a ceramic cup or travel up well in position and select the desired cup size.
6. Press the “START/STOP button (2)”
7. The “K-CUP indicator (7)” illuminates at full brightness, and the indicator of selected cup size lights solidly. The appliance starts to brew coffee until the program is ended, then the “K-CUP indicator (7)” illuminates at half brightness and the indicator of selected cup size flashes, which means that the appliance goes back to the standby mode.

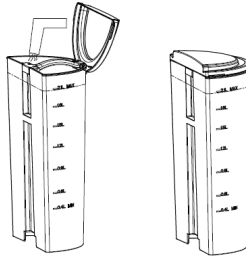
PREPARE THE RIGHT CUP

1. A large glass carafe is selected for brewing drip coffee.
2. A ceramic cup or travel cup is selected for brewing K-cup coffee.

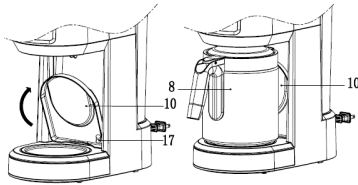
OPERATING INSTRUCTION

Filling water tank (Maximum capacity: 2.1L)

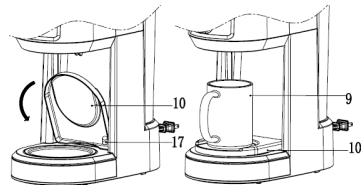
1. When filling the water tank, you can use a bottle to add water or take the water tank from the appliance and add water under the tap. Please make sure that the water in the water tank does not exceed the “MAX” mark on the water tank. Do not fill the water tank with warm or hot water.
2. Close the water tank lid and install the water tank onto the appliance tightly.
- 3.



PLACING THE CUP



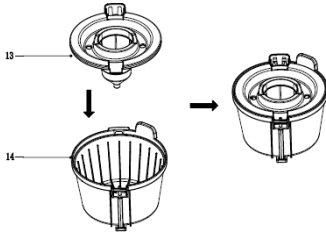
Drip coffee-brewing mode



K-CUP brewing mode

When need to brew drip coffee, it is necessary to turn the “Cup holder (10)” upwards and then place the “Glass carafe (8)” well in position. When need to brew K-CUP coffee, it is necessary to turn the “Cup holder(10)” downwards and then place a “Ceramic cup(9)” or a travel cup well in position. The up-and-down operation for the “Cup holder (10)” with “Magnet(17)” is the key step for ensuring the normal operation of the program.

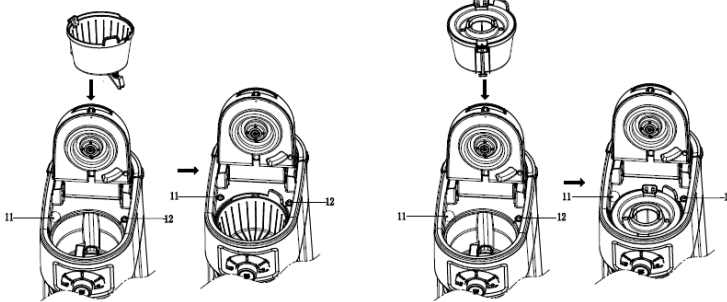
INSTALLATION INSTRUCTION OF SMALL BREWING BASKET



When need to brew K-CUP coffee, the “Small brewing basket (13)” needs to be installed into the “Funnel (14)” well in place.

PLACING THE FUNNEL

1. When need to brew drip coffee, the independent funnel is placed into the funnel holder.
2. When need to brew K-CUP coffee, the funnel with the small brewing basket installed is placed into the funnel holder.



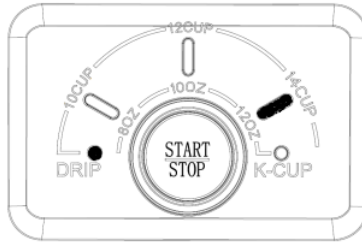
Drip coffee-brewing mode

K-CUP brewing mode

POWER ON

1. Connect the appliance with the proper power source.
2. When brewing K-CUP coffee, make sure that the funnel loaded with the small brewing basket is installed in the appliance and the “Cup holder (10)” is turned downwards and placed on the warming plate.
3. Make sure that the top cover is closed tightly to ensure that the corresponding “Top cover microswitch (12)” is activated.

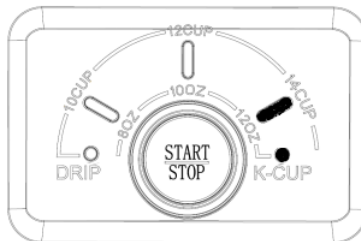
BREWING MODE



DRIP-COFFEE BREWING MODE

1. Add coffee powder into the funnel and place the funnel with coffee powder into the appliance, and then close the top cover. At that time the “DRIP indicator (3)” illuminates in red at half brightness and the default cup size “10CUP indicator” flashes.
2. You can turn the “Cup size knob (1)” to select your desired cup size (10CUP, 12CUP or 14CUP), and the corresponding indicator of the selected cup size will flash.
3. Press “START/STOP button (2)” and the appliance starts to brew coffee. At that time, the “DRIP indicator (3)” illuminates at full brightness, and the indicator of selected cup size lights solidly. Make sure that the “Cup holder (10)” is turned upwards, otherwise the drip coffee-brewing program will not be activated.
4. After finish brewing, the appliance will enter into the keep-warm mode and will keep warm for 2 hours, and the “DRIP indicator (3)” will illuminate at half brightness.
5. After finish keeping warm, the indicator of selected cup size will flash.

K-CUP BREWING MODE



1. Put the funnel with the small brewing basket installed into the appliance, then place the coffee capsule and close the top cover. The “Magnetic induction switch (11)” is activated, and the “K-CUP indicator (7)” illuminates in blue at half brightness, meanwhile, the indicator of the default cup size “8OZ” flashes.
2. Turn the “Cup holder (10)” downwards and place it on the warming plate. The K-CUP coffee-brewing program can be only activated when the “Magnet (17) gets close to the “Magnetic induction switch (11)” of the appliance.
3. You can turn the “Cup size knob (1)” to select your desired cup size (8OZ, 10OZ or 12OZ), and the corresponding indicator of the selected cup size will flash.
4. Press “START/STOP button (2)” and the appliance starts to brew coffee. At that time, the “K-CUP indicator (3)” illuminates at full brightness and the indicator of selected cup size illuminates solidly. And the appliance will keep running until the brewing program is finished. And the appliance will go back to the standby mode after the brewing program is finished.

CLEANING AND MAINTENANCE

CLEAN THE WATER TANK

Remove the water tank and then turn it upside down on the sink to empty the remaining water. It is recommended to empty the water tank before and after use. Wash the water tank with soapy water, rinse thoroughly and dry. Do not put the water tank in the dishwasher.

CLEAN THE APPLIANCE

1. Wipe the housing with a piece of soft wet cloth. Do not use abrasive cleaning agent or cleaning cloth because they will scratch the surface finish.
 2. Detachable parts such as small brewing basket and funnel can be directly washed with water or put into dishwasher for cleaning.
- NOTE:** Do not immerse the appliance in water.

DESCALING

Minerals deposited in this product will affect the operating performance of the appliance. When you find that it need to take more time to make coffee or there is too much steam, you must perform descaling in time. In addition, you may find that there is white deposits on the surface of the upper piercing needle.

The frequency of cleaning depends on the hardness of the water. The recommended cleaning intervals are listed in the table below.

Recommended Cleaning Interval	
Soft water (filtered water)	Every 200 coffee-brewing cycles
Hard water (Tap water)	Every 150 coffee-brewing cycles

WAY Take your home
on the road