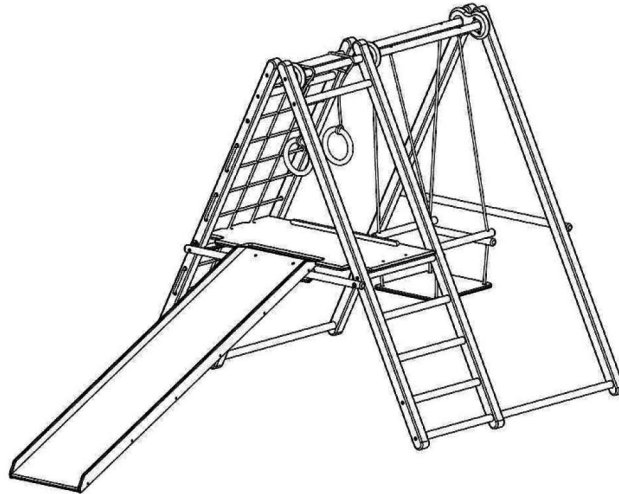


EZPlay
JUNCLE GEMS



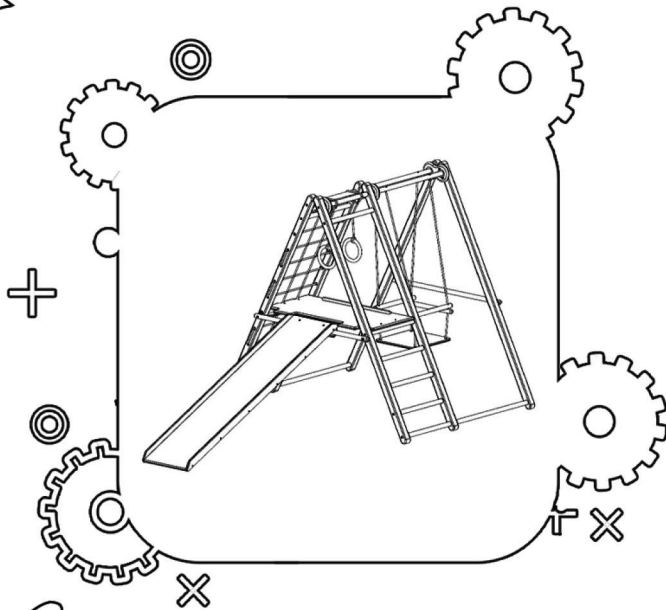
Instruction Manual

PANDA PLAYGROUND



WWW.EZPLAUTOUS.COM

**It won't take you long
to assemble Panda playset - simply
follow the instruction in our manual**



Use the link to access
the online version
of the manual



bit.do/pandaguide



PLEASE READ THIS PAGE BEFORE BEGINNING THE ASSEMBLY PROCESS.

Structures are not intended for public use. EZPLAY does not warranty any of its indoor playground subjected to commercial use such as: Daycare, Preschool, Nursery School, Recreational Park, or any similar Commercial Application.

Children must NOT use this playground until unit has been completely assembled and inspected by an adult to ensure the set has been properly installed.

Please follow all recommendations below. Failure to do so, may result in the warranty being voided and/or safety violations that may result in serious injury.

TOOLS REQUIRED FOR ASSEMBLY

The following tools are required for assembly, but are not included in the Panda Playground Kit. Assembly will require the use of a rubber mallet.

In addition, an Hex (allen) key size 4mm will be required for assembly and is included with the playground.

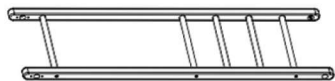
PLEASE READ:

Our products are handcrafted with love and we stand behind their quality! If you have any questions about this playground or have any damaged pieces, please email us at **support@ezplaytoys.com** and our satisfaction team will help solve your issues as quickly as possible.



**WE HOPE THAT YOUR FAMILY ENJOYS
THIS PLAYGROUND AS MUCH AS OURS HAVE!**

Ax1



Bx1



Cx1



Dx1



Ex2



Fx2



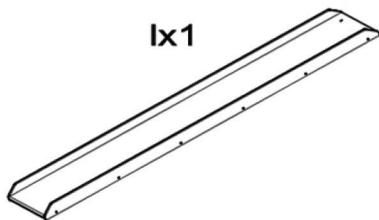
Gx2



Hx4



Ix1



Jx1



Kx1



Lx1



Mx3



Nx2



Ox2



Px2



Qx14



Rx1



Sx4

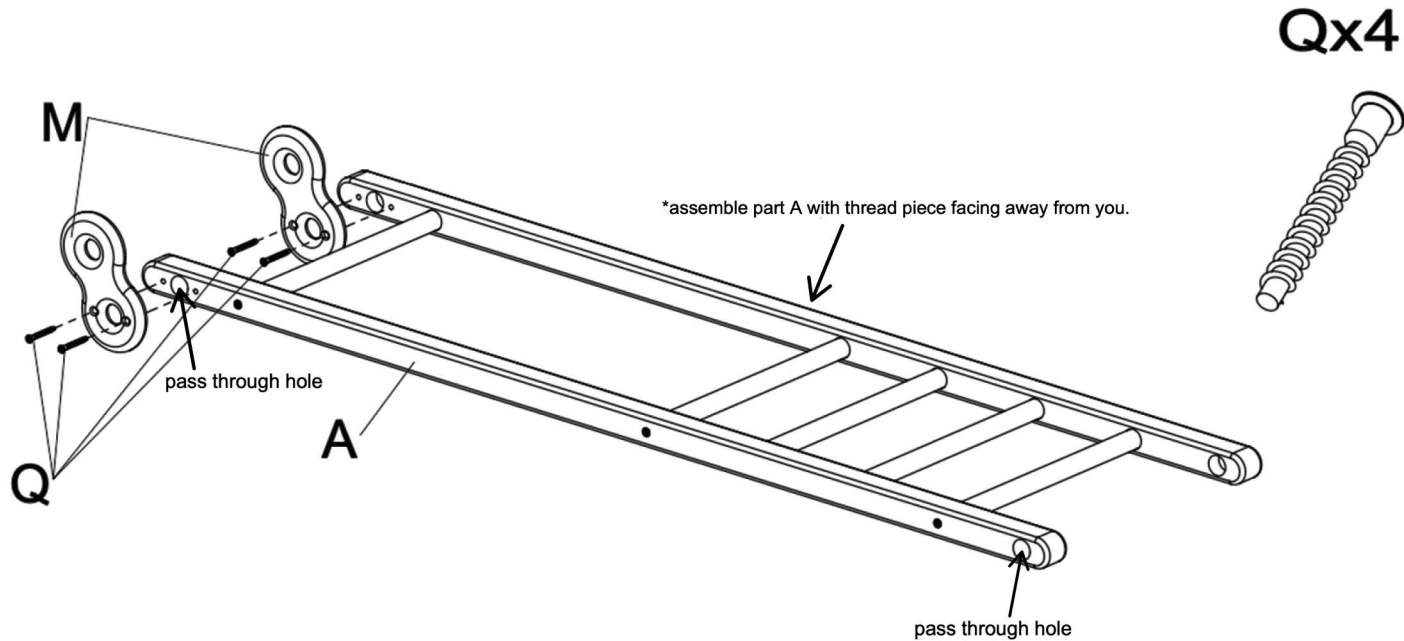


Tx2

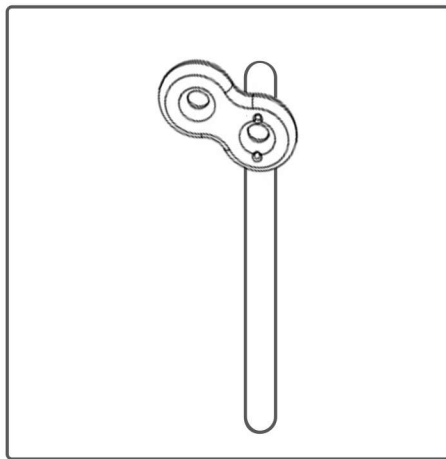
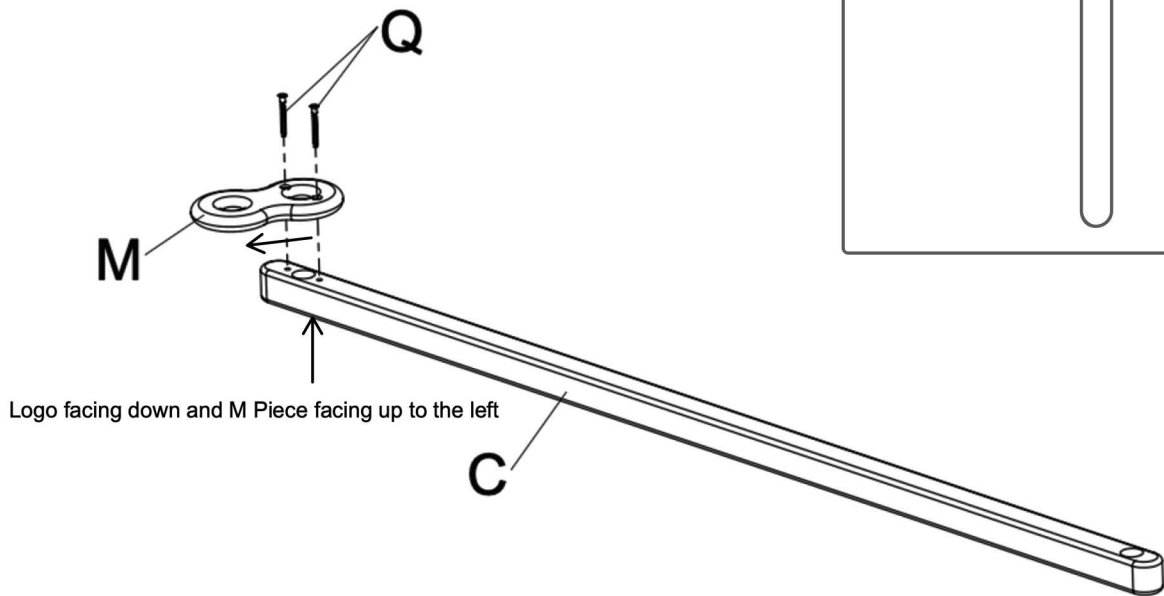


ASSEMBLY PROCESS

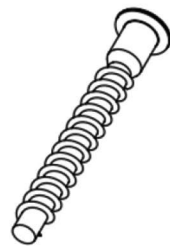
1.



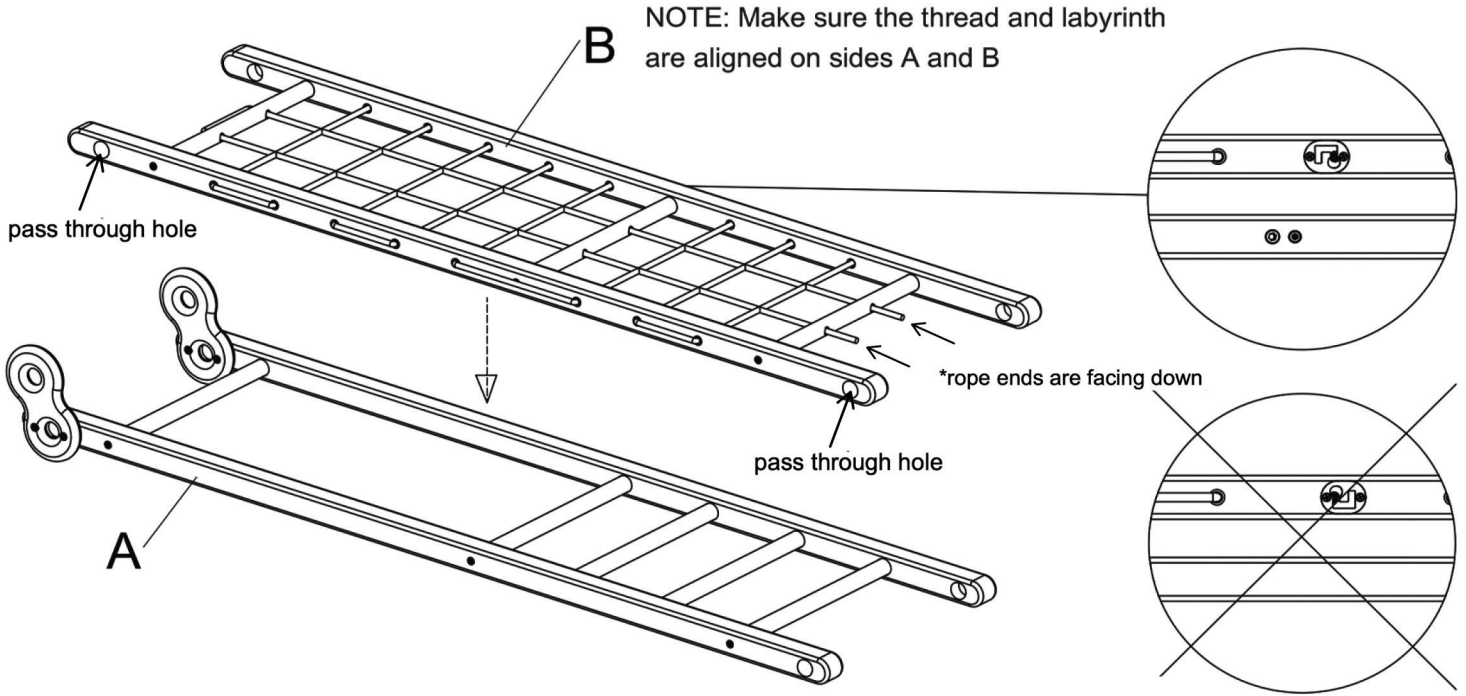
2.



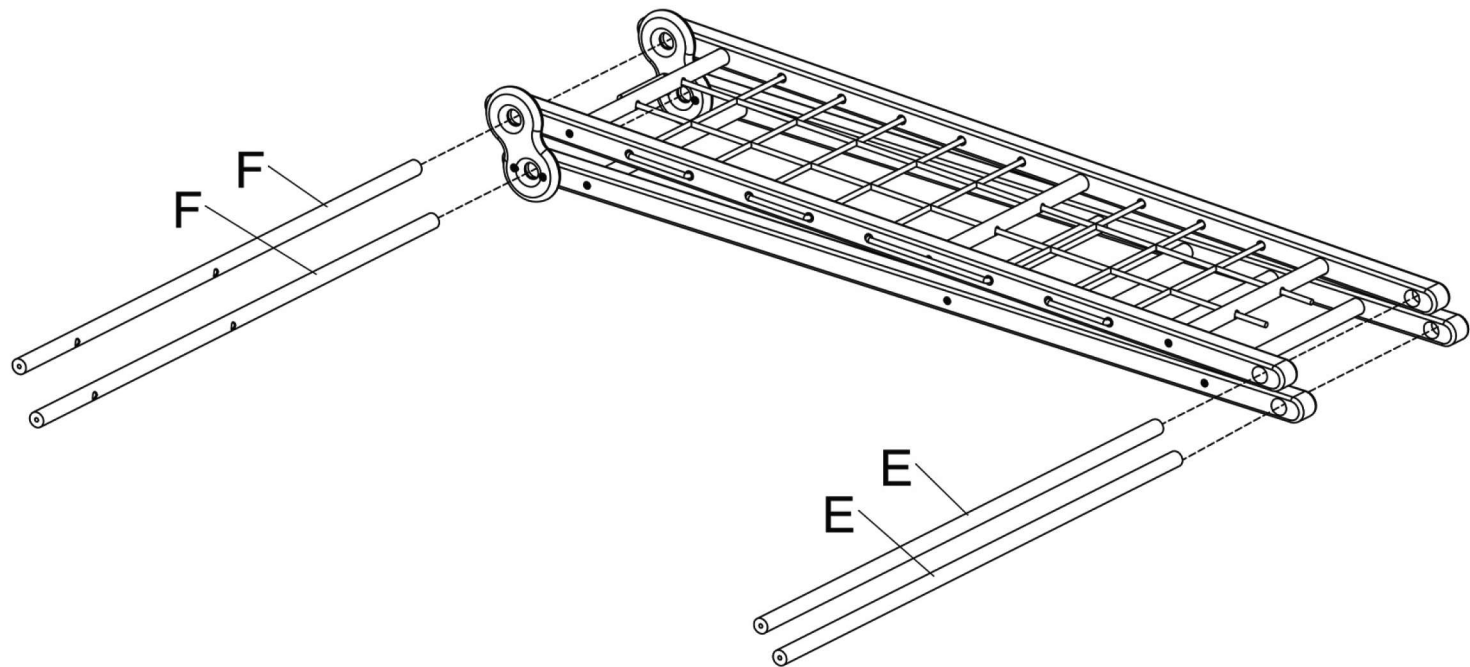
Qx2



3.

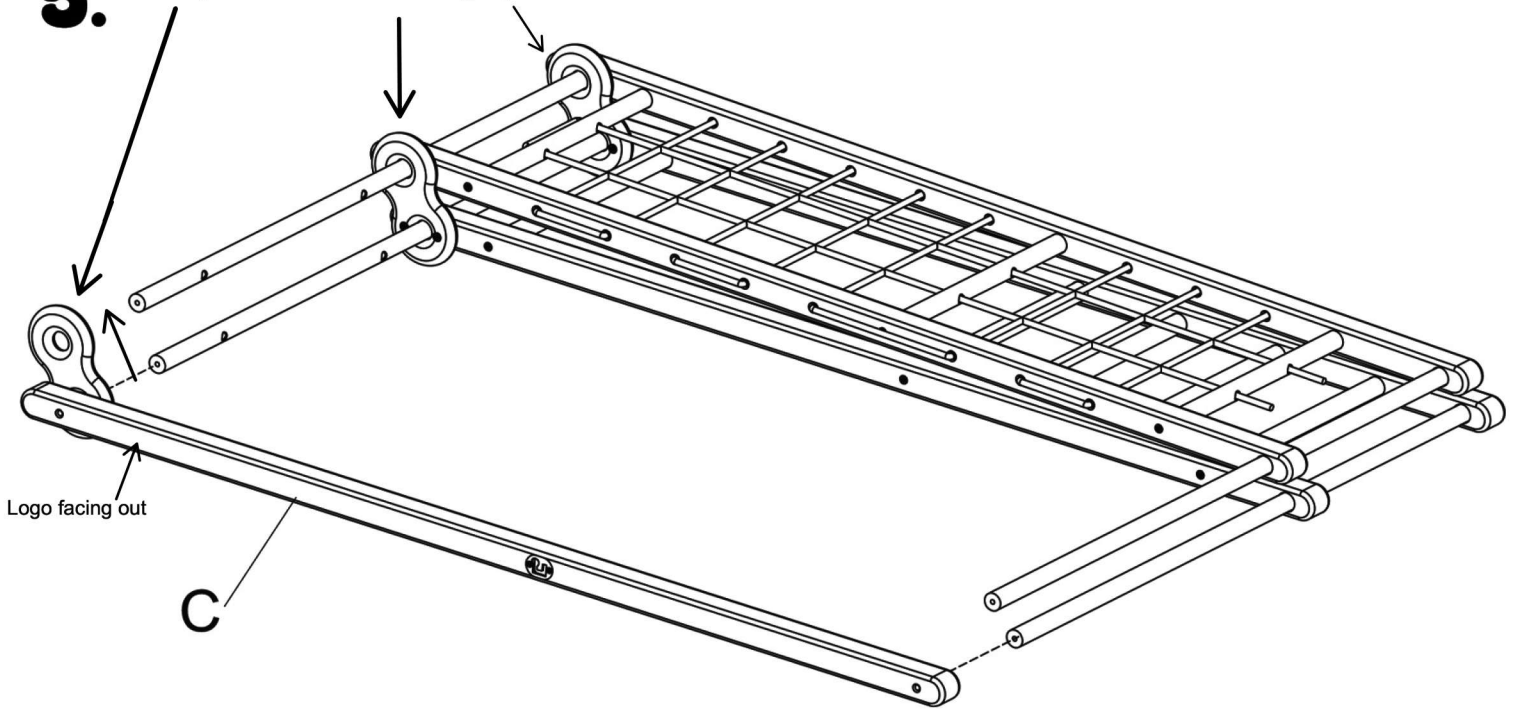


4.



5.

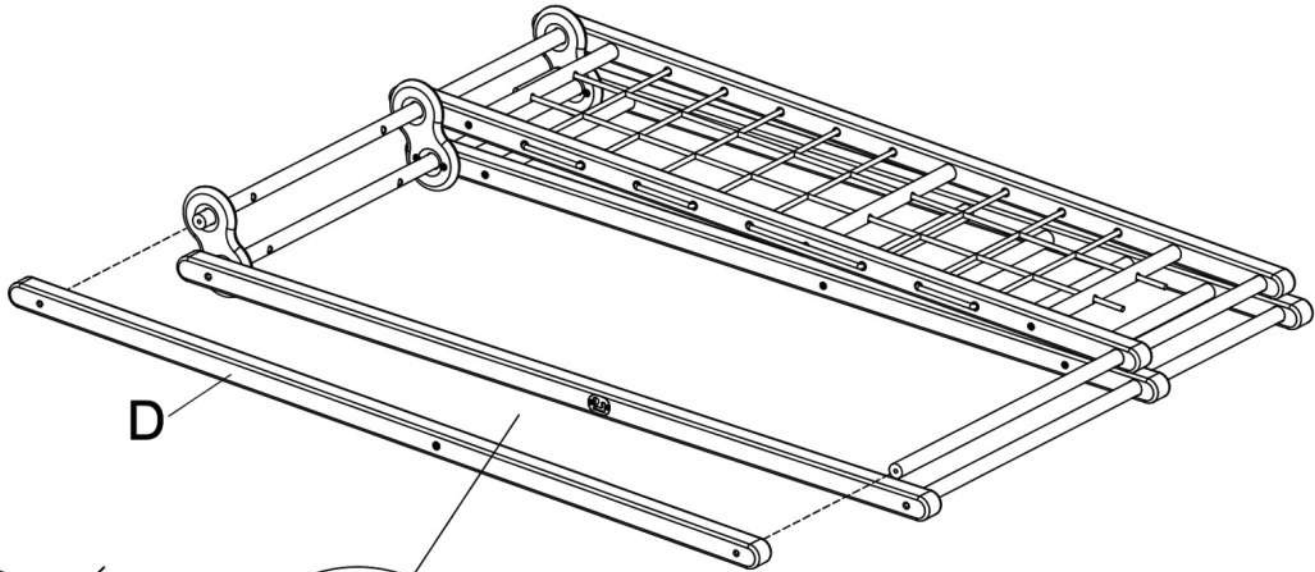
*M piece must be facing up in the same direction



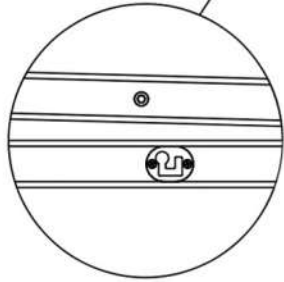
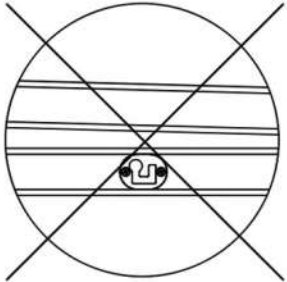
Logo facing out

C

6.



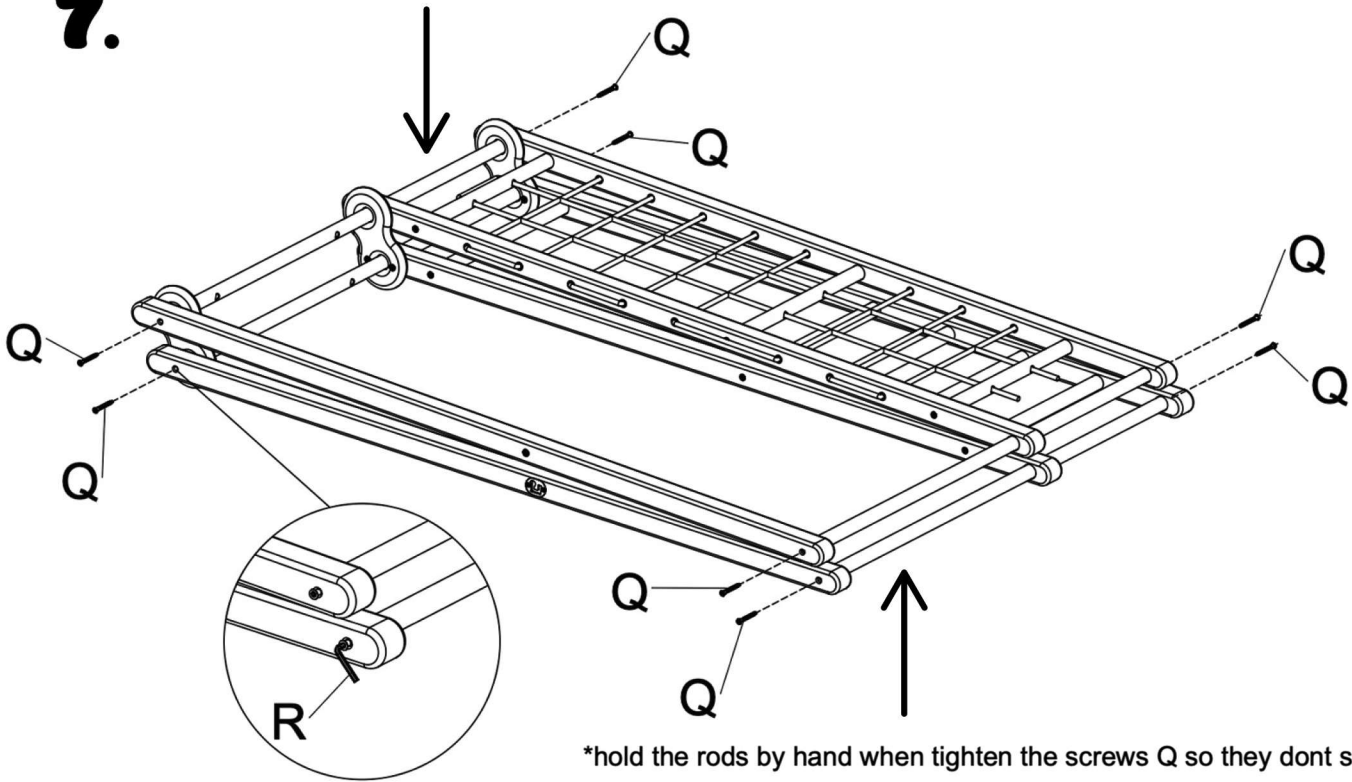
D



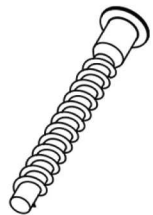
NOTE: Make sure the thread and labyrinth are aligned on sides C and D

7.

*hold the rods by hand when tighten the screws Q so they dont spin



Qx8

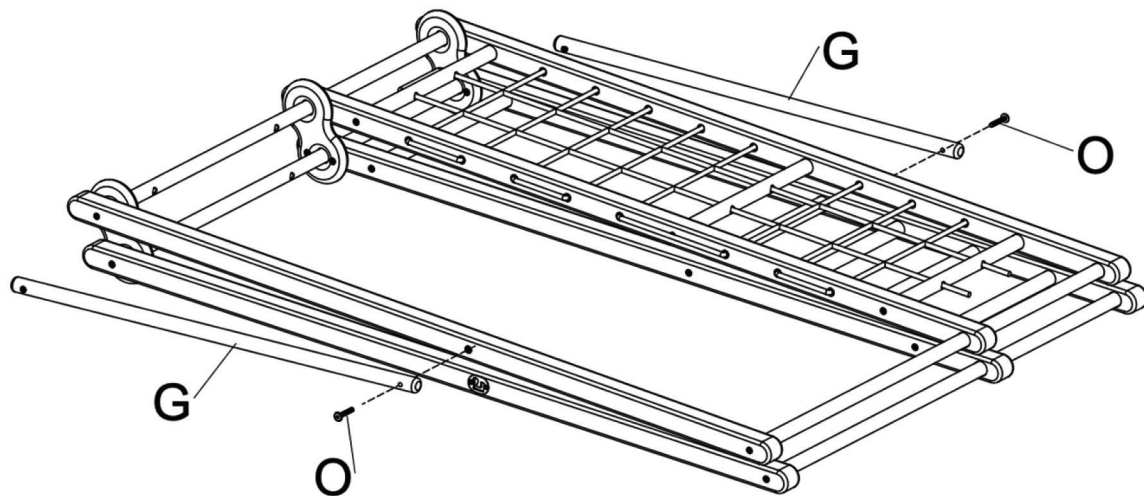


Rx1



*hold the rods by hand when tighten the screws Q so they dont spin

8.

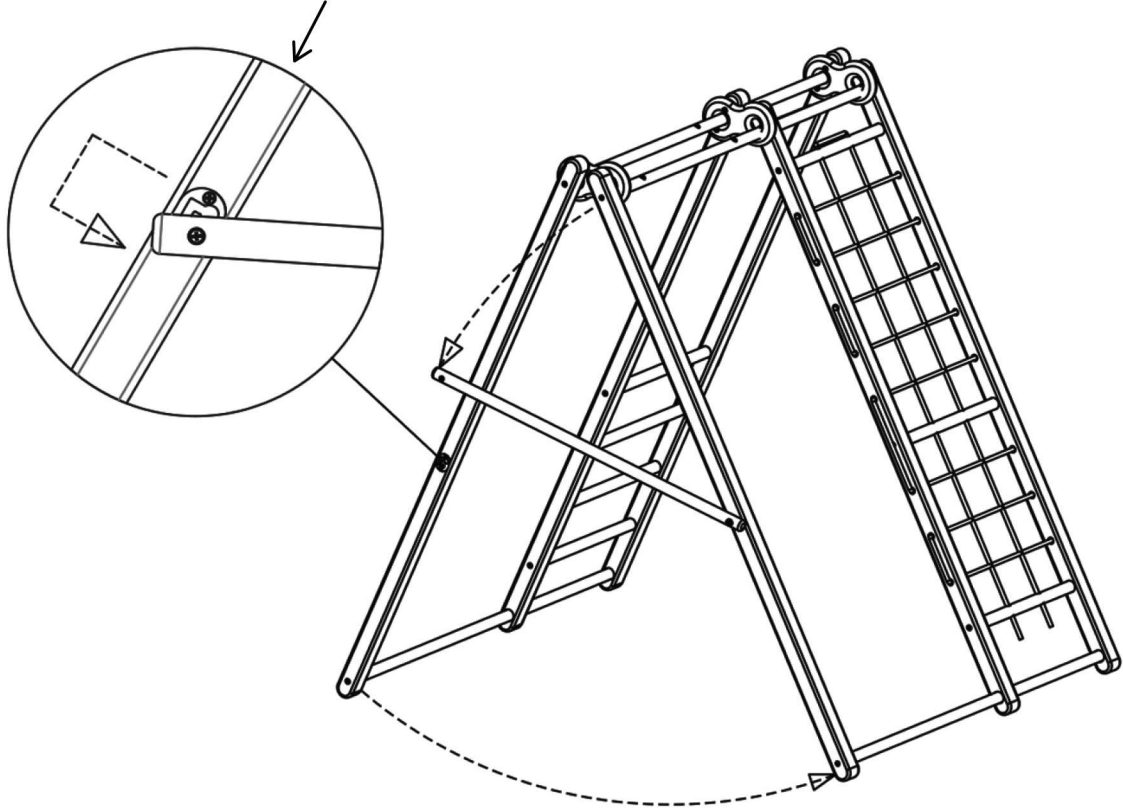


Ox2

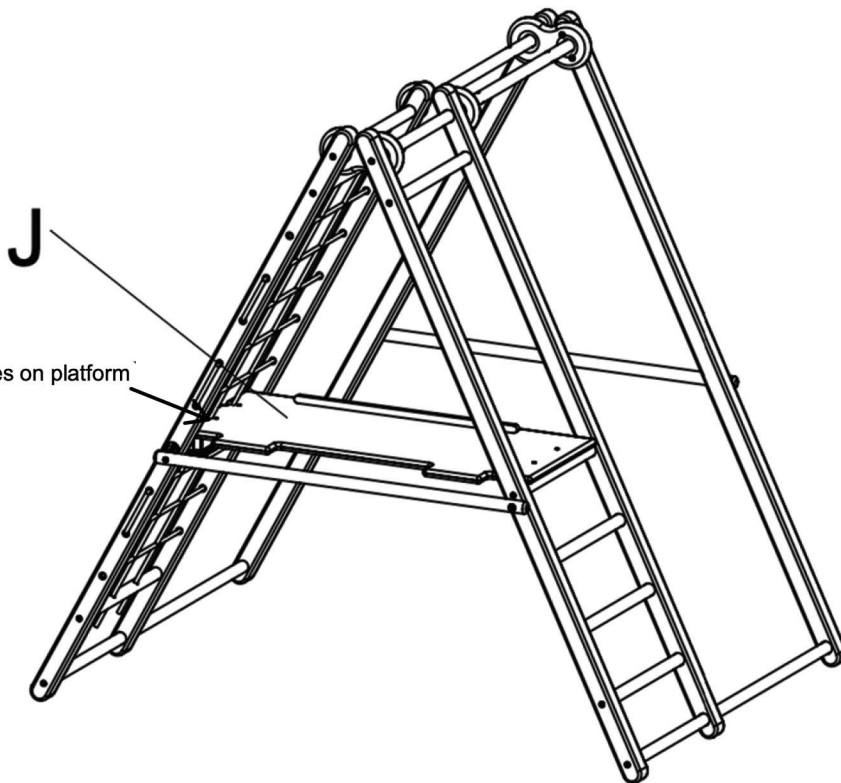


9.

*lock the side rail into place by following the labyrinth



10.

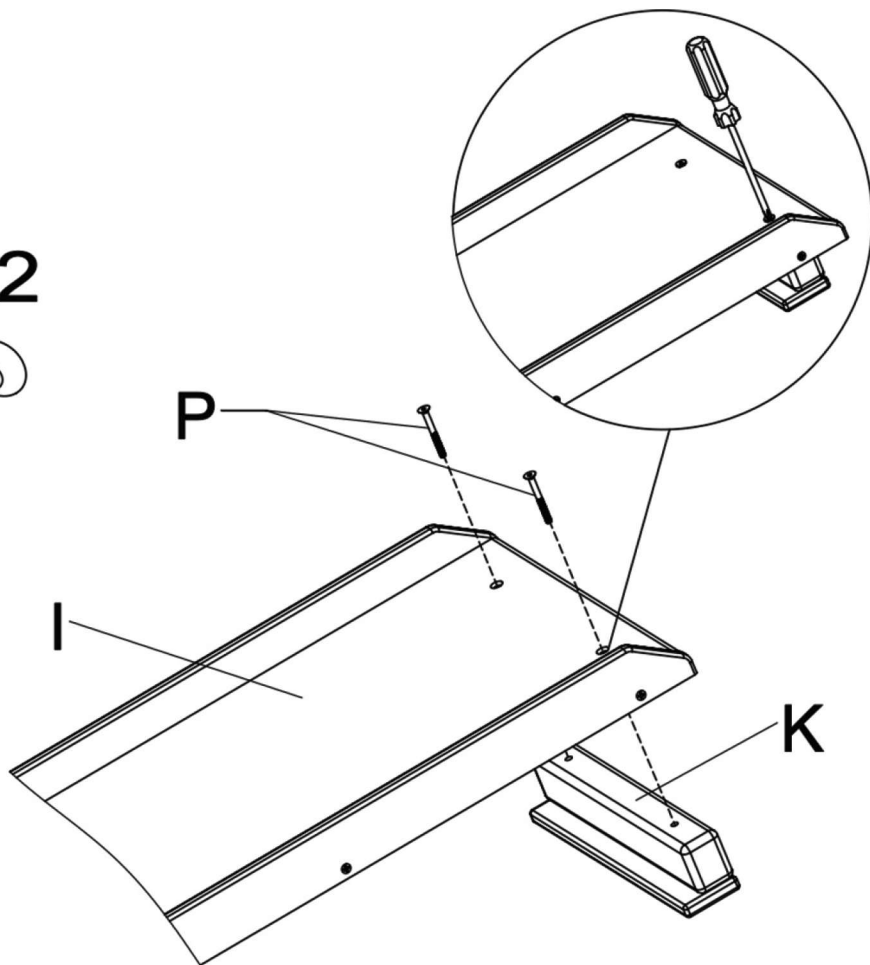


*match rope ladder with grooves on platform

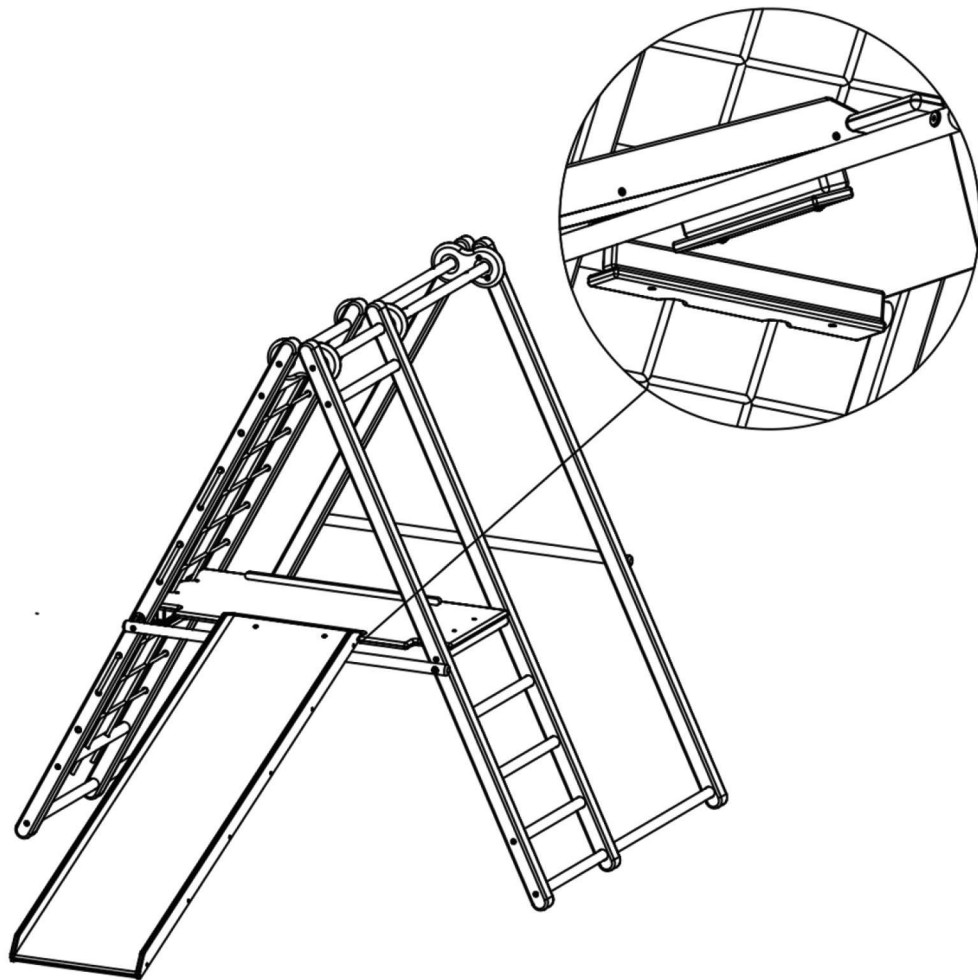
NOTE: Please make sure that platform J is installed securely and does not wobble

11.

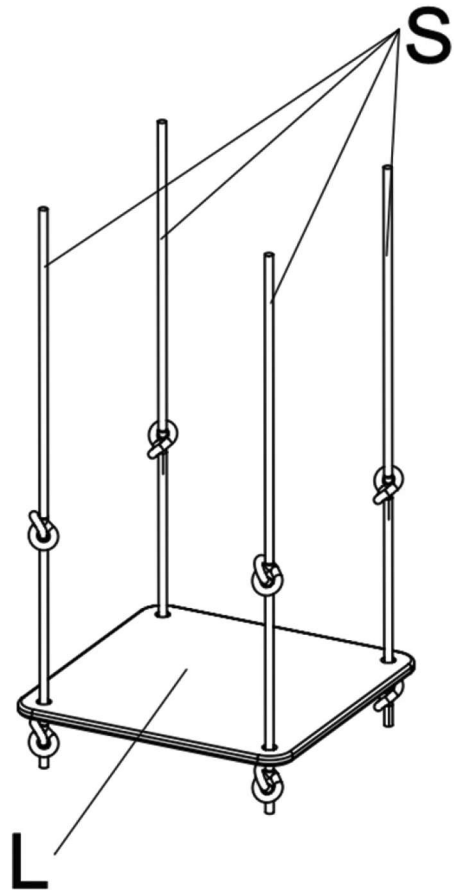
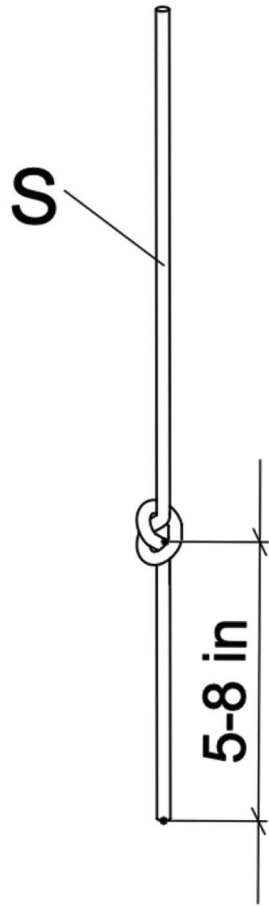
Px2



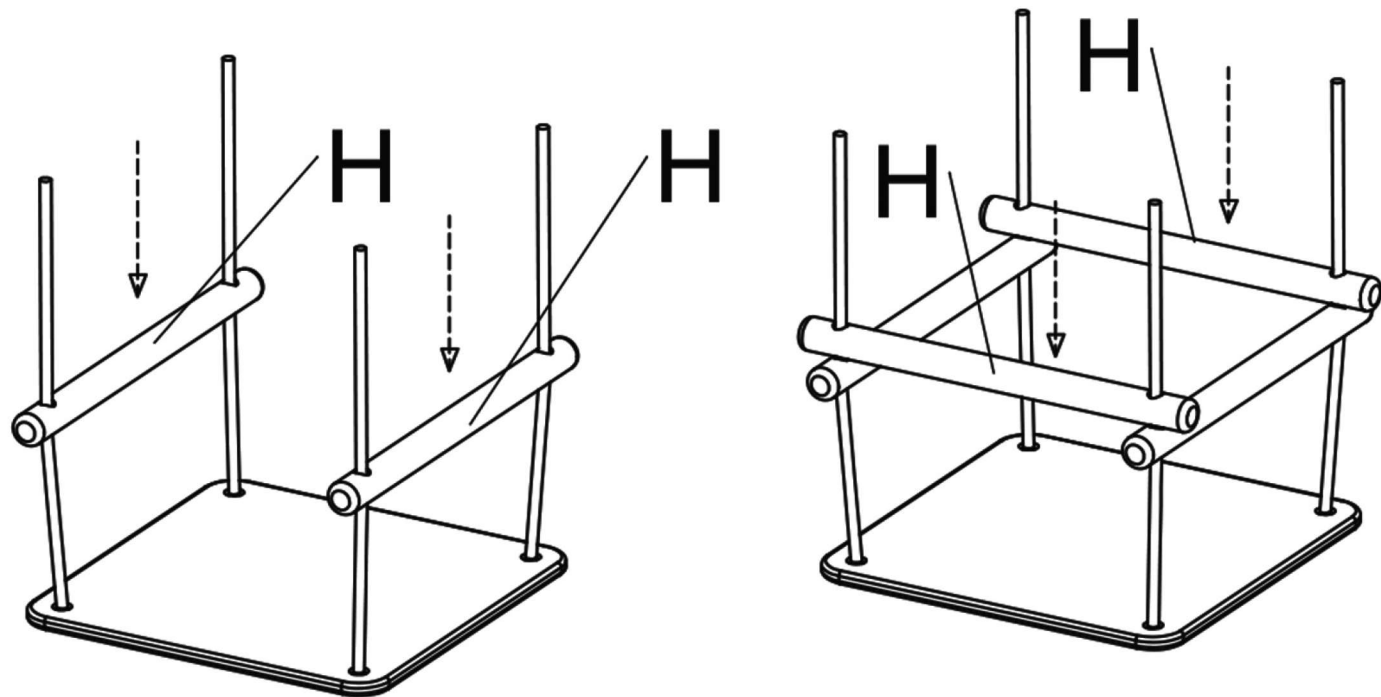
12.



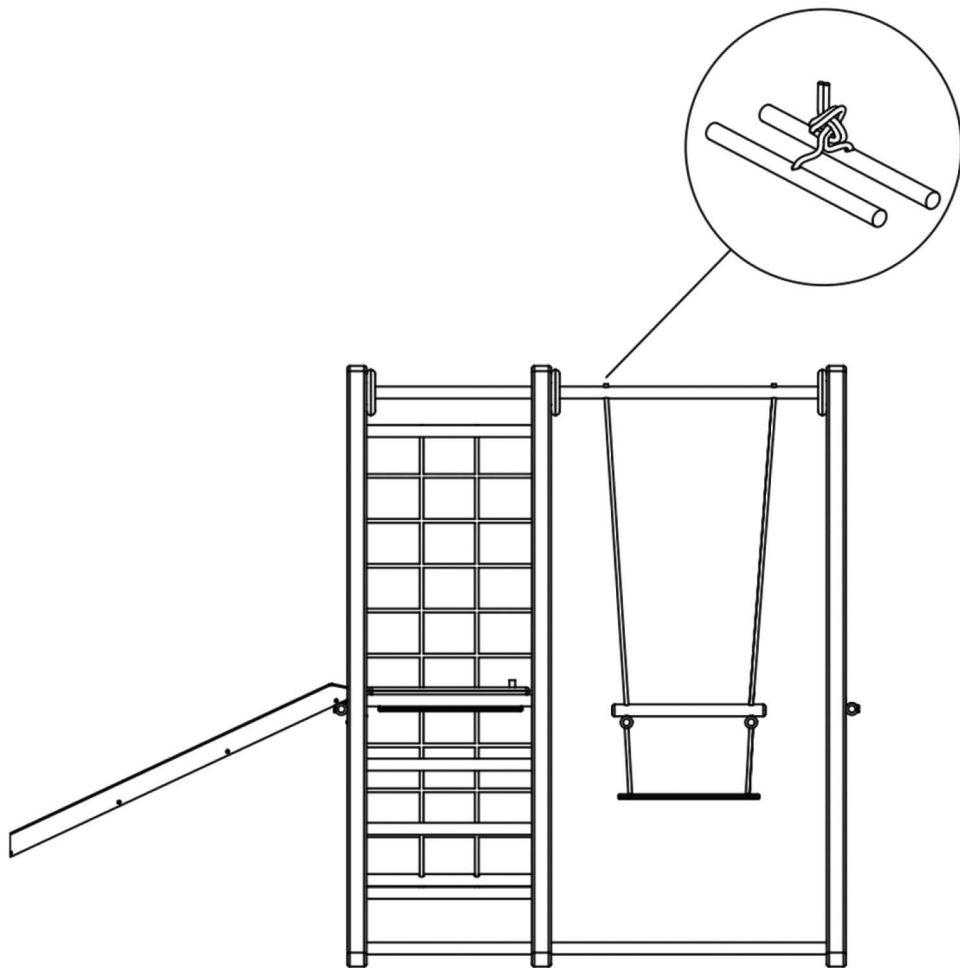
13.



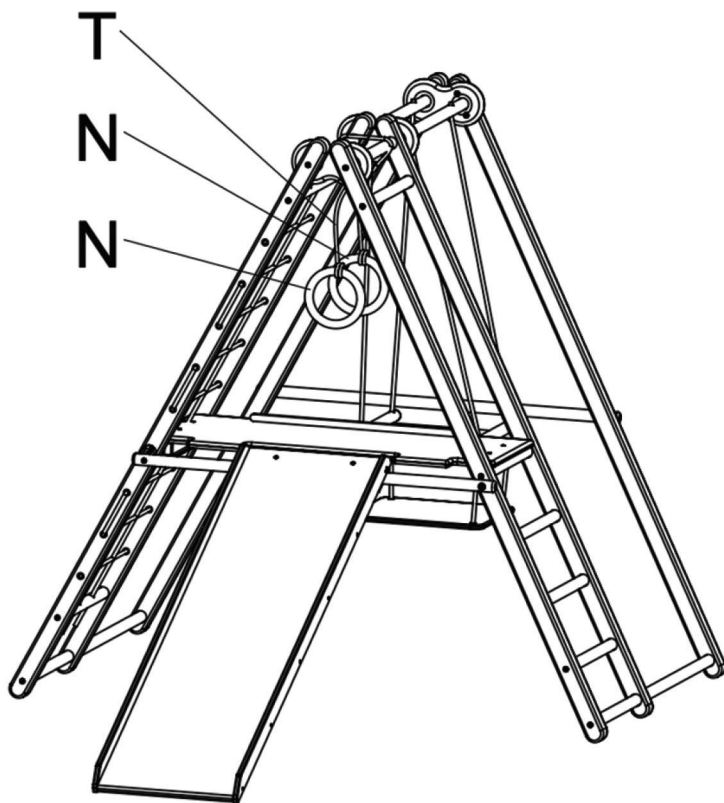
14.



15.



16.





IMPORTANT SAFETY PRECAUTIONS

SAFETY: While an indoor play-set will not be subjected to the same abuse as an outdoor play-set that is exposed to the elements of weather change, etc. through frequent use your play-set will experience the normal wear and tear of any household that is blessed with active children. Always inspect your play-set for safety before playtime. Look for fittings that may have become loose, ensure the screws are tight upon unfolding and securing the stored unit. Also, verify that there are no frayed, damaged, or loose ropes.

LOCATION AND PLACEMENT OF PLAYGROUND

Playground is intended for indoor use. If used outdoors, exposure to rain, snow or long periods in the sun may cause damage to the playground and such damage is not covered under warranty.

STOPPER KNOTS: Features such as the swing and ladders on our play-set are secured by overhand stopper knots. In addition to the test of time in backyard swings all over the world, our knots in our play-sets have withstood hundreds of pounds of adult abuse. Like all equipment, your ropes and knots on the play-set will be subjected to normal wear and tear. Always inspect your equipment before use, including the knots and rope fittings. We suggest the use of Ashley's knot. Our rope experts at the climbing gym suggest this knot as a beefed up stopper knot for rescue situations.

MAINTENANCE AND REPLACEMENT

If cared for properly your playground can give you years of playtime and excitement. Here are several care tips that will enhance your playground investment. The wood in the playground continues to exchange moisture with the air, expanding and shrinking in response to changes in relative humidity. Wood's natural response to extremely dry air is to lose moisture and shrink a bit. This will correct itself as the relative humidity rises and the wood absorbs enough moisture to expand slightly. On the other hand, if you do not have an air conditioner or dehumidifier, your home's relative humidity may get too high. Parts of your wood playground may absorb excess moisture from the air and expand. Once again, this will correct itself as your home's relative humidity decreases. The playground's quality and natural sturdiness are not affected by these natural changes.

Here are some ways to ensure your playground's longevity:

- Do not use any chemicals to clean the playground. Use only a soft, damp cloth rag. Dry it off with a dry cloth.
- Do not expose it to natural elements such as rain or snow.
- Place your playground away from radiators, fireplaces, and heating ducts.
- Position playground out of direct sunlight or adjust blinds to avoid extended exposure to sunlight.
- Control humidity to 40%-45%. In winter use a humidifier, in summer use a dehumidifier or air conditioner.



Always keep the safety of your children in mind as your play structure is being assembled and as your children play on the set.

Before each time your children play on the set please inspect the playground to make sure all fittings, knots and connections are secure.

**ADULT SUPERVISION IS REQUIRED AT ALL TIMES TO ENSURE
THE SAFETY OF CHILDREN USING THE PLAYGROUNDS**

PANDA SWING INSERTS

REQUIRES PANDA PLAYGROUND

Panda Swing Chair is a comfortable baby chair insert that is a perfect fit for the EZPlay Panda Playground swing:

- Designed to keep a child safe and secure inside the swing seat
- Made of stain resistant materials
- The seat is soft and pleasant to the touch
- Easy to attach to the swing seat



ezplaytoys.com/accessories

EZPLAY TEEPEE TENTS

REQUIRES PANDA PLAUGROUND

- 100% durable non-toxic cotton
- Designed to give your little ones an amazing FUN place to let their imagination run wild
- Ventilation and safety design: a side window provides an open view, while the front flap with tie-back provides easy access in and out of the teepee
- Easy to mount and store!



ezplaytoys.com/accessories

EZPLAU GIFT CARDS

Give the gift of an indoor playground
adventure to someone you love!



E-Gift Cards can be used to purchase
any of our products offered on our website.

ezplaytoys.com/gifts



TO MAINTAIN YOUR EZPLAY JUNGLE GYM WE RECOMMEND:

1

Check rope knots and all play features before each play session for safety

2

Keep it clean with a damp cloth, followed by dry cloth

3

Cover the playset if you store it folded for extended time

4

Always supervise your children during play

5

Visual wood inspection of the playgrounds

DETAILED INFORMATION IS AVAILABLE IN OUR BLOG POST

bit.do/ezpcheck

WE WANT TO MAKE
ALL KIDS HEALTHY AND HAPPY

YOU CAN HELP US TO ACHIEVE THIS GOAL

1

Follow this link — tiny.cc/ezpsurvey

2

Take part in a small
2 minute survey

3

Get your reward



We gift a **\$5** Amazon
gift card for everyone
who passes the survey



tiny.cc/ezpsurvey