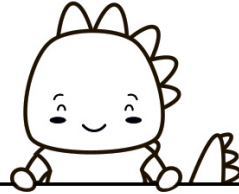
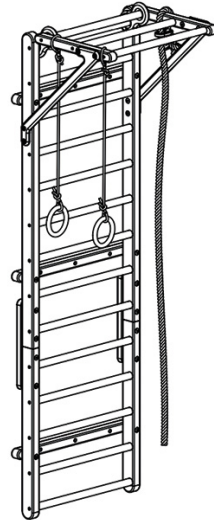


EZPlay
JUNGLE GYMS



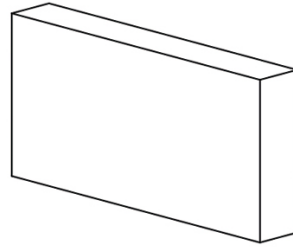
Instruction Manual

GECKO CLIMBING WALL

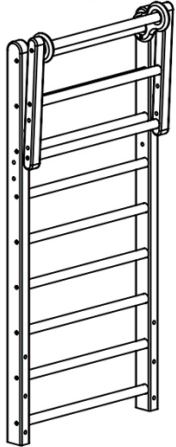


WWW.EZPLAUTOUS.COM

PARTS LIST AND ASSEMBLY INSTRUCTIONS:



A_Gx1



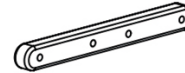
B_Gx1



C_Gx2



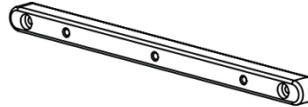
D_Gx2



G_Gx1



E_Gx3



F_Gx1

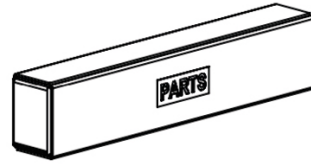


H_Gx2

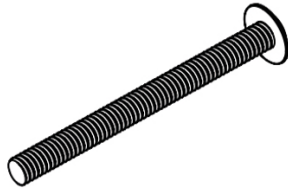


I_Gx2





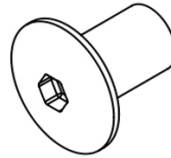
J_Gx14



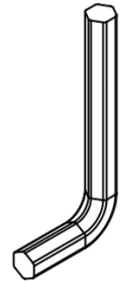
K_Gx8



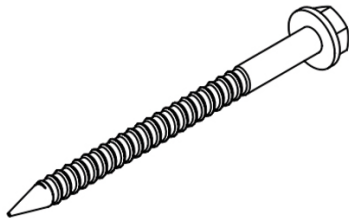
L_Gx22



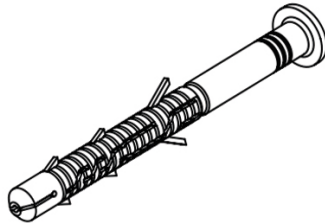
M_Gx2



N_Gx6



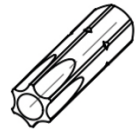
O_Gx6



P_Gx6

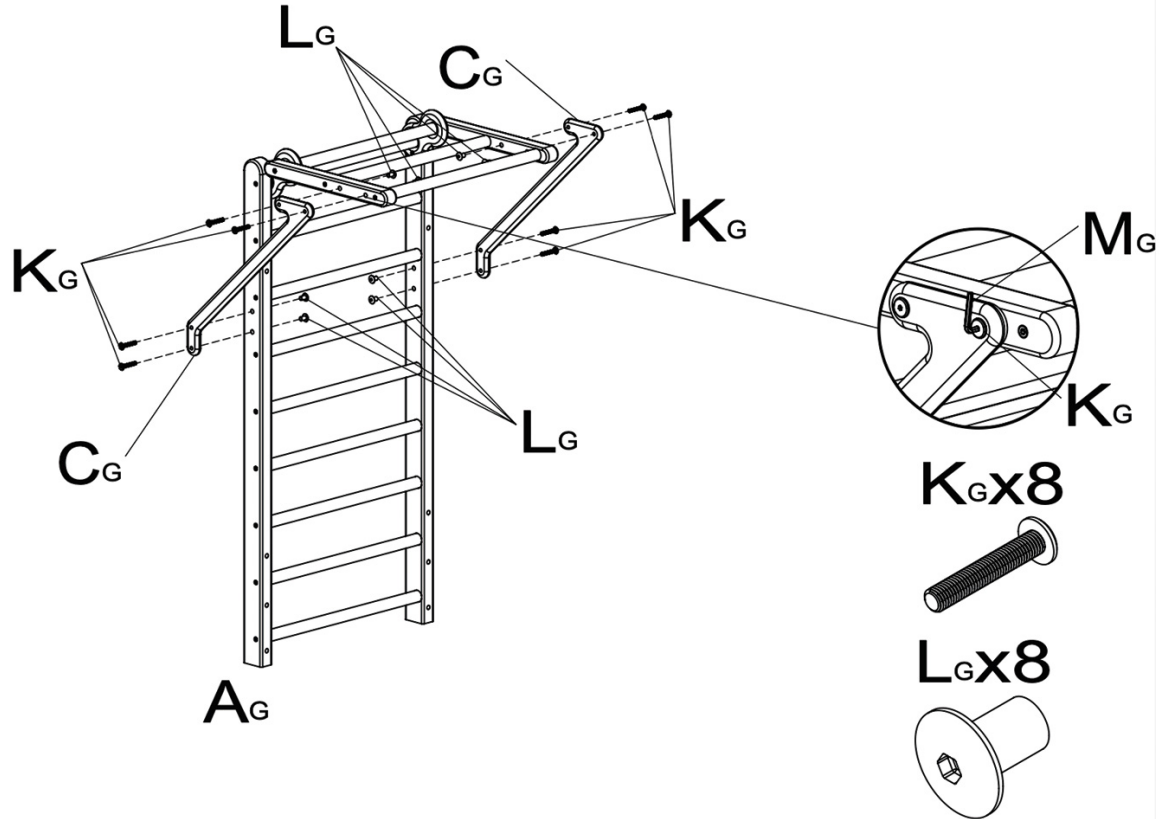


Q_Gx1

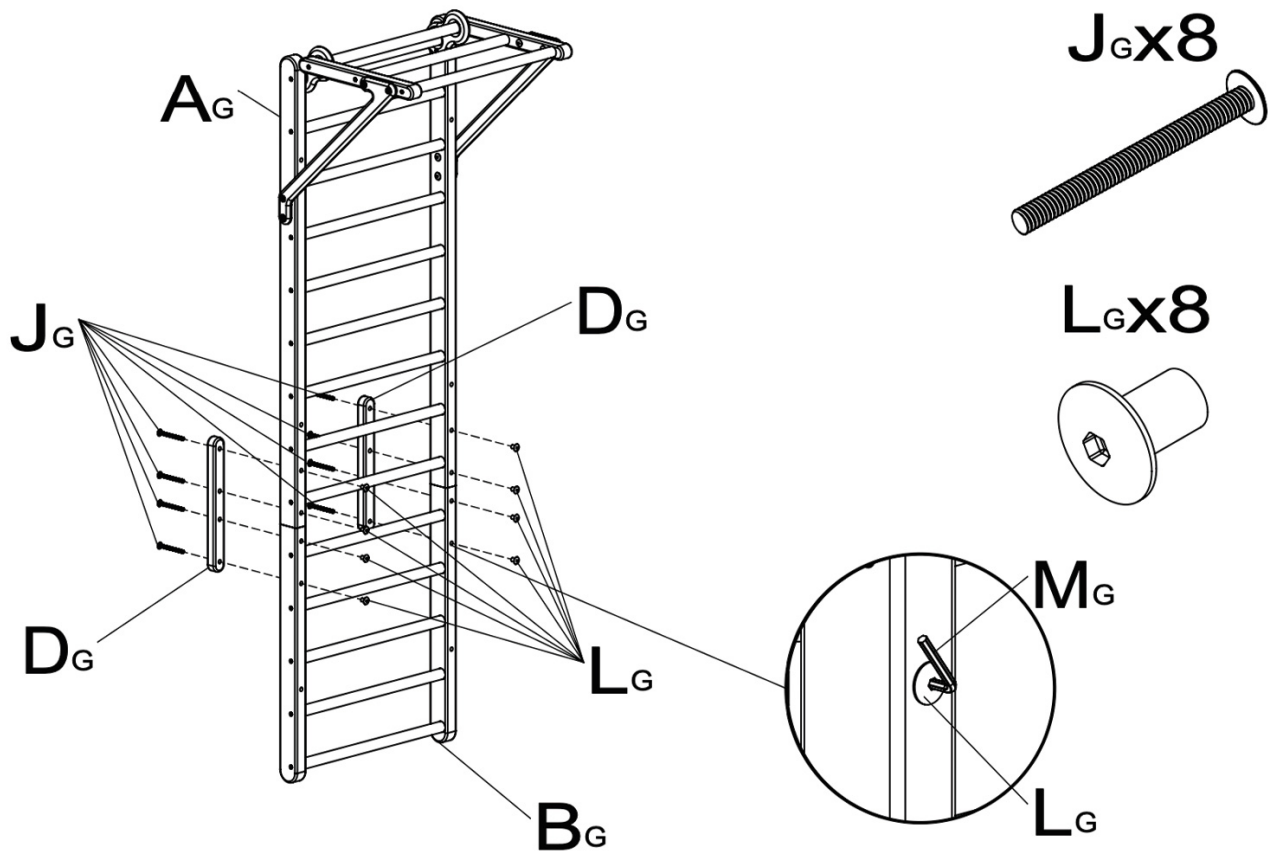


ASSEMBLY PROCESS

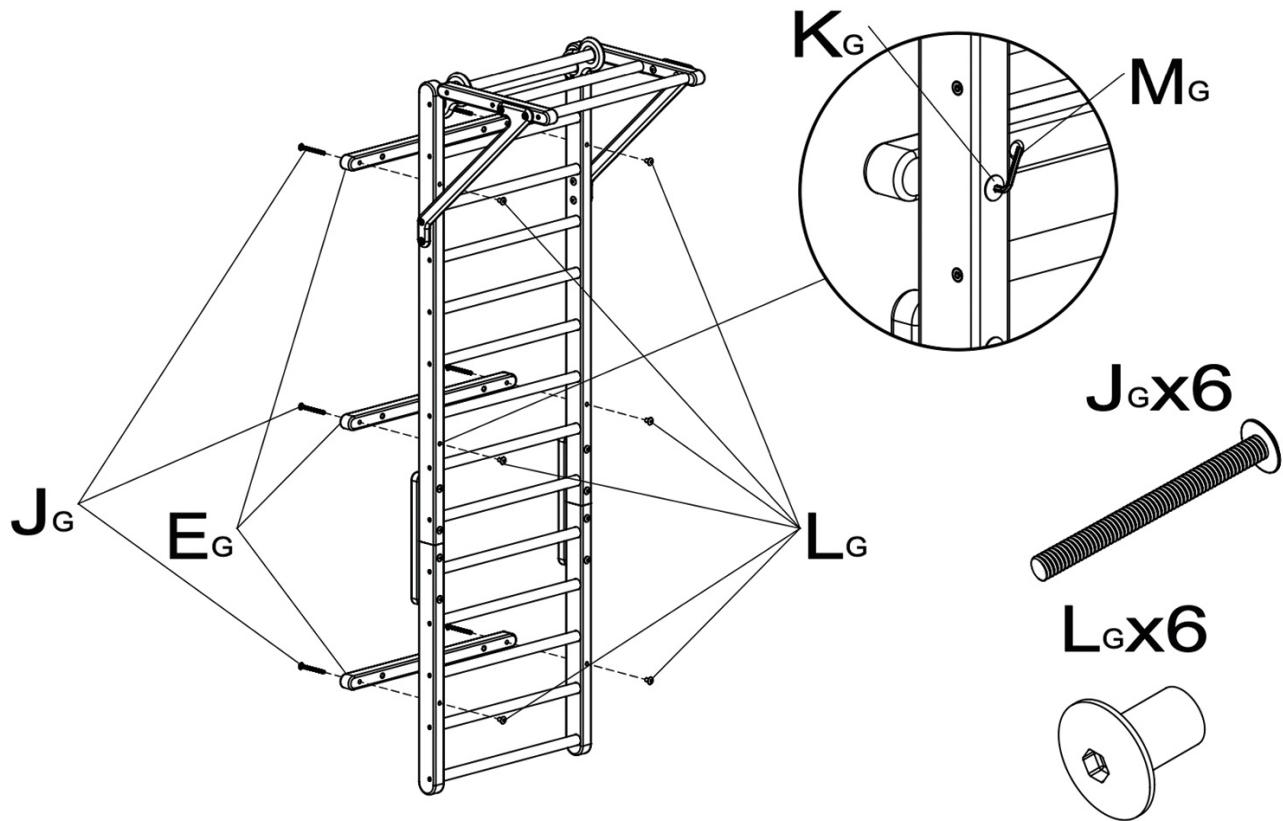
1.



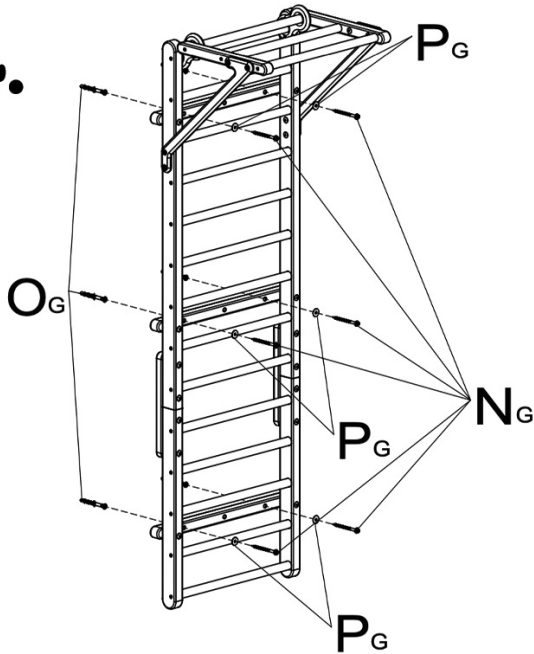
2.



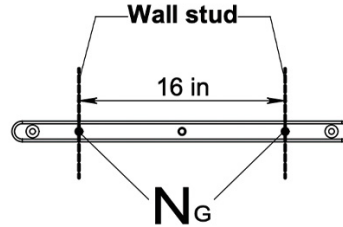
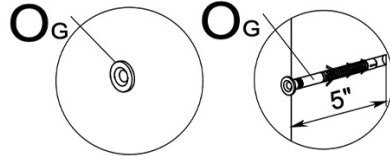
3.



4.



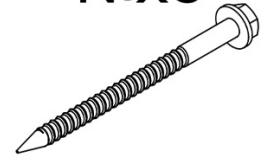
Align the playground against the wall. Mark the drilling location for O_G anchor. Pre-drill with $3/8$ " diameter 5" deep. Insert the O_G anchor until flush with the wall. Secure the playground to the wall with N_G screw with P_G washer, use Q_G drill bit to tighten.



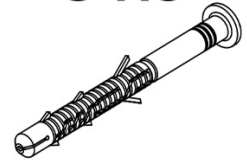
$Q_G \times 1$



$N_G \times 6$



$O_G \times 6$



$P_G \times 6$



5.

