

WELCOME TO IKEGGER

Welcome To The iKegger Family!

Thank you for choosing us for your recent purchase!

This company is very much a labour of love for a small group of friends working out of home offices, storage units and garages around the world. We love what we do and we believe that is apparent to all our customers from the great feedback we get from them.

As a small company each member wears many hats and we work huge numbers of hours each day to try and stay on top of everything.

We do our best to produce documentation, videos, manuals etc for all our products but sometimes we might use slightly different images than what you receive as we don't have time to go through and redo everything each time an o-ring changes colour or an adapter changes shape but still has the same function.

We are nearly always available on instant chat on the website, via email, facebook messenger and via phone during business hours if you have any questions.

The [iKegger Facebook Community](#) is also very active and full of friendly folks willing to help out newbies with any questions about gear, swap recipes, hint and tips.

For specific and in-depth homebrew questions AHB forum is best: <https://aussiehomebrewer.com/>

IMPORTANT



We are a very small team who do everything you see and a lot you don't to provide great customer service, products, and information.

Please look through the info we have spent months putting together before contacting us with a problem.

This allows us to focus on providing great customer service to those that have an important question or issue rather than repeating information we have worked so hard to provide via downloads, printouts, and video tutorials.

SOMETHING MISSING?

If you think something is missing from your order or you have a warranty claim please take a picture of what you received and go to the live chat on the website so we can deal with it immediately! This is the fastest way to lodge a claim and is treated as the highest priority in our inbox!

Follow Us on Social Media



www.facebook.com/ikegger

[iKegger FB Group: facebook.com/groups/ikegger](https://www.facebook.com/groups/ikegger)



www.instagram.com/ikegger

Tag us when you're drinking with #iKegger and #ikegger_eu



www.youtube.com/c/Ikegger

Subscribe to our channel to see the latest videos

australia www.ikegger.com

new zealand www.ikegger.co.nz

europa www.ikegger.eu

email Australia info@ikegger.com

email Europe info@ikegger.eu

instant message via the website nearly 24/7

IKEGGER

1ST TIME USING YOUR IKEGGER



Looking after your iKegger products

CLEANING

- Give all parts (except a regulator) a good wash with hot water at least. We recommend using sodium percarbonate as a deep cleaner. This will remove anything stuck to the internal surfaces of steel, plastic and lines. Do not use dish soap as this will destroy beers head. We recommend using some no-rinse sanitiser like our phosphoric acid (or chemipro oxi) before each filling.

SPARES

- Your gear comes with all o-rings and seals in place, you don't need to add any. Any seals with your gear are spares we've included for free.

LUBRICATE

- We recommend using a lubricant on all o-rings and posts to prolong their life and make connecting disconnects easier.

PRESSURE

- Store a carbonated drink at between 12-14psi to prevent it from losing CO2 into the vessel from the liquid.
- See tinyurl.com/ikeg-carb for details about pressure vs temperature.

FILLING YOUR KEG

- Best practise is to fill into a sanitised keg with as little contact with oxygen as possible, how you do this depends on what you are filling with. A cold surface stops beer foaming up when it hits it.
- Filling from cans and bottles: inject CO2 into a CHILLED keg, remove the spear and pour carefully down the inside wall of the keg to prevent foaming.
- Filling at a brewery etc from a tap: ensure your keg is sanitised, filled with CO2 and ask them to chill it before they fill, this will reduce foaming.
- Filling with homebrew or at a brewery with our filling kit: for best practice see the video here: youtu.be/AHOLNoiTzao
- You can fill with beer, cider, kombucha, spirits and mixers, carbonated cocktails and even make your own sodas etc.
- You can fill with uncarbonated drinks too and just use low pressure (1-3psi) to push the liquid out.
- See the map on our website for some places to fill your keg

IMPORTANT



Found somewhere to fill your mini keg? Please use this form to share it with others!
Plus - Get a \$10 or 10 EUR voucher for sharing a pic of you getting your iKegger filled!

<https://tinyurl.com/fill-spot>

ALWAYS ensure the regulator is turned off (all the way anti-clockwise) before adding a gas source. Not doing this will result in permanent damage, and means the warranty is void.

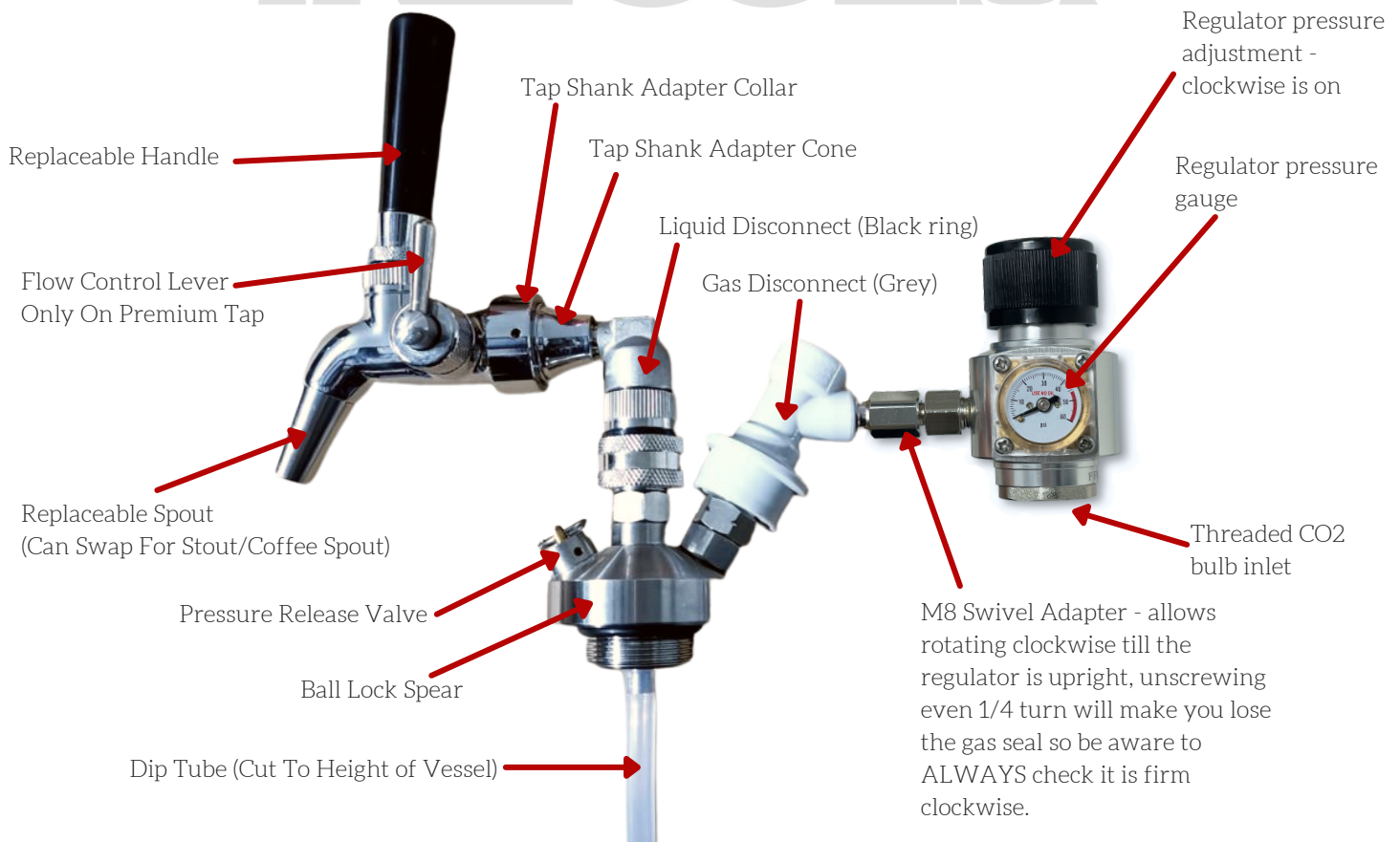
ALWAYS check your system for leaks by putting in some water or sanitiser pouring as normal then turn the pressure off and see if it drops. It should stay the same, if it doesn't check all connections are tight. You will lose an entire bottle of gas the one time you don't check, trust me. Connections will loosen with normal usage so this needs to be part of your routine.

TAPS WILL DRIP liquid still in the body of the tap may take up to a minute or more to drip out (especially with a nitro tap) after you turn it off. Have a cloth or drip tray handy or use a tap sock drip catcher (on our shop).



Filling with beer under pressure from a fermenter or at a brewery? Scan to see a video on how to use an iKegger filling kit

KEGGER Premium Flow Control Tap System



To Assemble

The Tap

- Screw the tap shank adapter cone onto the black liquid disconnect (steel disconnect pictured, could be a black plastic one) with the tap shank adapter collar trapped by it.
- Interlock the teeth in the cone with those on the tap itself.
- Use the tap as a lever to tighten the cone onto the liquid disconnect.
- Un-interlock the teeth and line the tap spout up with the liquid disconnect base,
- Use the collar to lock the tap in this position, tighten firmly.
- Screw on the tap handle.
- Attach completed tap unit to liquid post of the keg (vertical post on the mini keg spear)
- The lever on the side of flow control taps is used to control how fast liquid comes out, adjust this as needed for a good pour.
- Pouring a carbonated drink with a flow control tap: you can leave the pressure at your chosen level and adjust flow at the tap if it's pouring heady.

For details on the gas side see the regulator page in this booklet

IMPORTANT



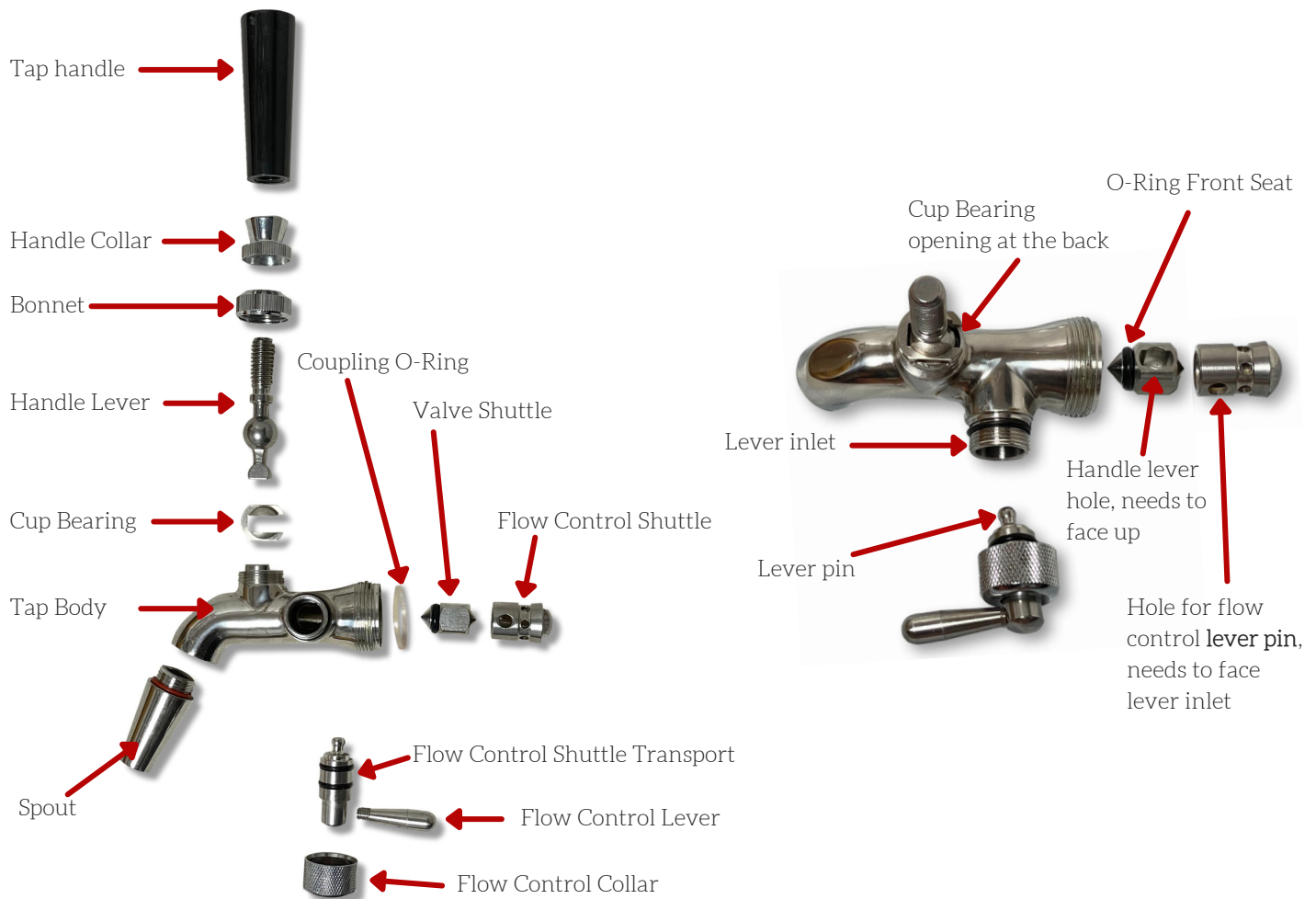
Scan the QR code or enter the web address below to see an assembly video

youtu.be/f069tapGayk



IKEGGER

Flow Control Tap



To Assemble

- This is our premium tap option made of stainless steel and with a flow control lever, allowing you to adjust the speed of pouring by restricting flow.
- The spout is interchangeable, allowing use with a stout spout or a standard spout.
- When using this tap you can leave the gas regulator set at the correct storing pressure and slow the flow at the tap to prevent foaming from pouring too quickly.
- If the tap handle feels loose, the handle collar and bonnet can be tightened to make it firmer.
- It is normal for this tap to have some movement on the liquid post when using a steel disconnect.
- It is a good idea to disassemble and soak all parts in sodium percarbonate fairly regularly (fortnightly or so) as buildup inside the tap can affect taste.

IMPORTANT

If your FC Tap drips, please check these 3 steps:

Cup Bearing:

If the cup bearing opening is facing the front of the tap you won't be able to close the tap properly. Check that the opening is facing backwards.

Front Seat O-Ring:

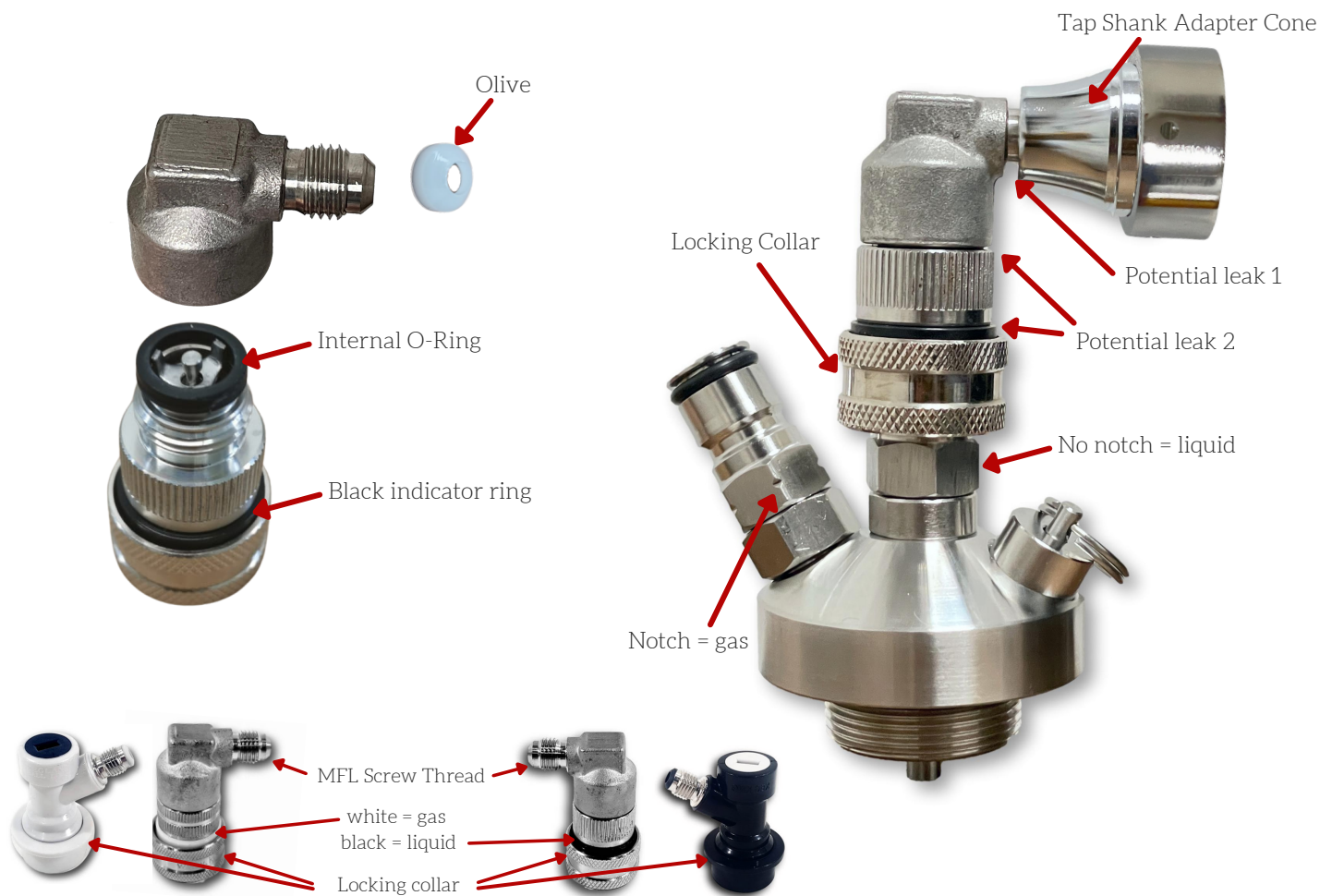
Check the O-Ring on the Valve Shuttle, if it is damaged you'll need to replace it.

Flow Control Lever:

If the Flow Control lever pin is not properly aligned in the shuttle it might cause a leak. You should be able to turn the lever about 300°, if it turns more than that please make sure that the hole for the lever pin is facing out through the lever inlet and the pin is properly inserted.

IKEGGER

Steel Disconnect



To Assemble

- The Disconnect attaches to the ball lock post like a garden hose, just lift the locking collar and push it firmly onto the post. There will still be some movement, even if the disconnect is attached properly
- To make it easier to connect a disconnect, use food safe lubricant on the ball lock posts. This will also extend the life of the o-rings.
- Make sure the top and bottom half of the steel disconnects are firmly screwed together to avoid leaks
- The steel disconnects are marked with rubber rings just above the locking collar: white for gas, black for liquid.
- The MFL screw thread fits FFL Duotight push fittings, which make it easier to connect and disconnect hose for cleaning purposes

IMPORTANT

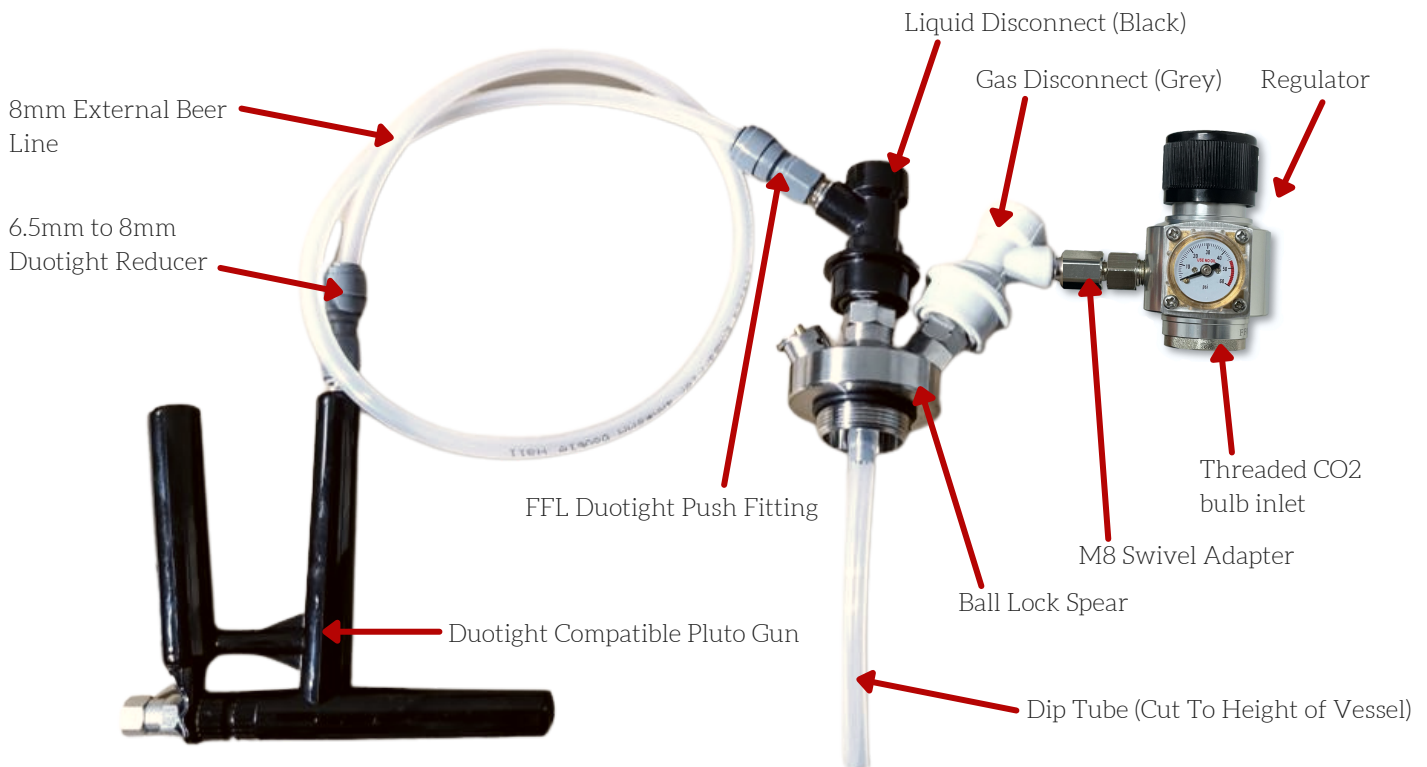
There is two potential places that might develop a leak on a disconnect.

If it leaks in position 1, make sure the olive is sitting in between the disconnect and the tap shank adapter. If it is, you need to tighten the cone of the tap shank adapter to the disconnect. Attach a tap to the tap shank adapter, make sure the teeth are interlocked and the collar is tightened. Now use the tap as a lever and tighten the tap shank adapter to the disconnect.

If it leaks in any of position two, you need to ensure that the top of the disconnect is properly tightened to the bottom half. If it is, please unscrew the top and check if the internal O-ring is sitting correctly and is undamaged.

IKEGGER

Pluto Gun Tap System



To Assemble

THE PLUTO GUN

- Push the reducer onto the barb on the pluto gun
- Screw the FFL duotight firmly onto the black disconnect
- Make sure the ends of the 8mm hose are cut straight and then push firmly into both push fittings
- **NOTE:** To remove the line from push fittings just hold the ring collar down while withdrawing the line.
- Clip the completed pluto gun to the vertical liquid post of the spear (same as garden hose fitting, lift the ring and click on).
- We provide the line between keg and pluto gun at the length it needs to be, don't cut it shorter or you will pour foam.
- It is best to keep the entire system in the fridge or esky as if the line is warm it will make the beer pour foamy.
- Pull the trigger all the way in as only pulling it in a little will also cause foaming.
- With a pluto gun or a tap without flow control adjustment you may need to reduce the pressure to pour (2-5psi) and then when finished you session store at the correct pressure to maintain carbonation.

For details on the gas side see the regulator page in this booklet

IMPORTANT

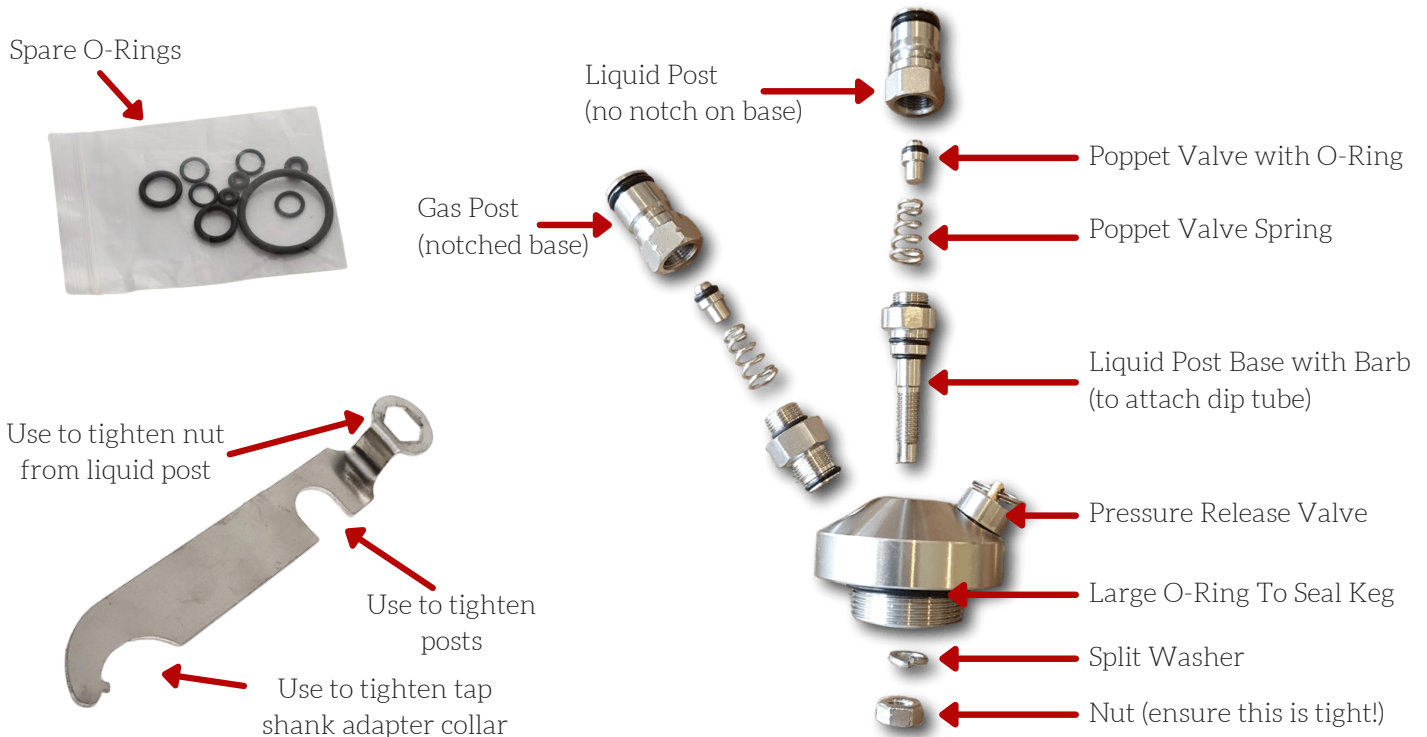
You can remove the pluto gun and connect a tap on shank to use this system in a home made kegerator or jockey box!



Want to try something different? Scan the code for kegged cocktails and other interesting recipes!

iKEGGER

iKegger Double Ball Lock Spear



To Assemble

- Cut the dip tube to slightly longer than the height of your keg.
- If the tube is curled dip it in hot water and let it reform straight.
- Check all nuts are tightened, there are 2 on each post and one underneath. Use the spear tool for this.
- There is a spare set of o-rings included you do not need them now they are for future wear and tear.
- It is a good idea to use lubricant on all o-rings and posts to extend life and make usage easier.
- The liquid and gas disconnects attach like garden hose fittings, lift the ring and press the fitting on till it clicks, same in reverse.
- Inside the posts is simply a spring and a piece of metal with an o-ring around it. This forms a valve that is pushed in when the disconnect is attached and seals when it is released.
- It is very simple to disassemble if you suspect the valve is not sealing properly.

IMPORTANT

This is quite a simple device and comes with spares as o-rings will deteriorate over time. If something isn't sealing, try taking it apart and looking for obvious issues before contacting us



IKEGGER MINI REGULATOR



These are the best quality mini regulators we have found in the world. They are accurate, tough and can use 16g and 25g CO2 bulbs or a sodastream gas bottle (with our optional adapter). We maintain a very high level of quality control unlike other similar-looking regulators on the market (you will notice a serial number we use to track batches on each one and a 1.8k burst valve on the rear that others don't have). If you have an issue, use the QR code on the front of this booklet.

To Assemble

- Turn **OFF** the regulator (anti-clockwise all the way).
- Screw a 16g or 25g threaded CO2 bulb into the inlet gently until there is resistance.
- Complete screwing in with a firm twist to pierce the bulb.
- If gas escapes continue screwing in the bulb to seal it quickly, finger tight is fine, too hard will eventually damage the seal.
- To test cover the hex outlet with your finger and turn up the pressure on the adjustment knob, the needle will rise.
- If you release your finger gas should escape, when you block the outlet again the needle should return to the same spot it was. If so the regulator is working perfectly.
- Screw the M8 swivel adapter onto the gas disconnect (a standard plastic disconnect is pictured, a steel one has a white stripe round it to signify that it is gas, a check valve disconnect is clear with grey trim).
NOTE: To remove it you need to keep these two parts together.
- Screw the regulator onto the swivel adapter. This allows you to adjust the angle of the regulator without breaking seal. **NOTE:** Always adjust the angle in a clockwise direction to maintain seal.
- Attach to the offset or gas post on your keg (notched at the base)

IMPORTANT

ALWAYS ensure regulator is turned off (all the way anti-clockwise) before adding gas bottle. Not doing this will result in permanent damage, and voids the warranty.

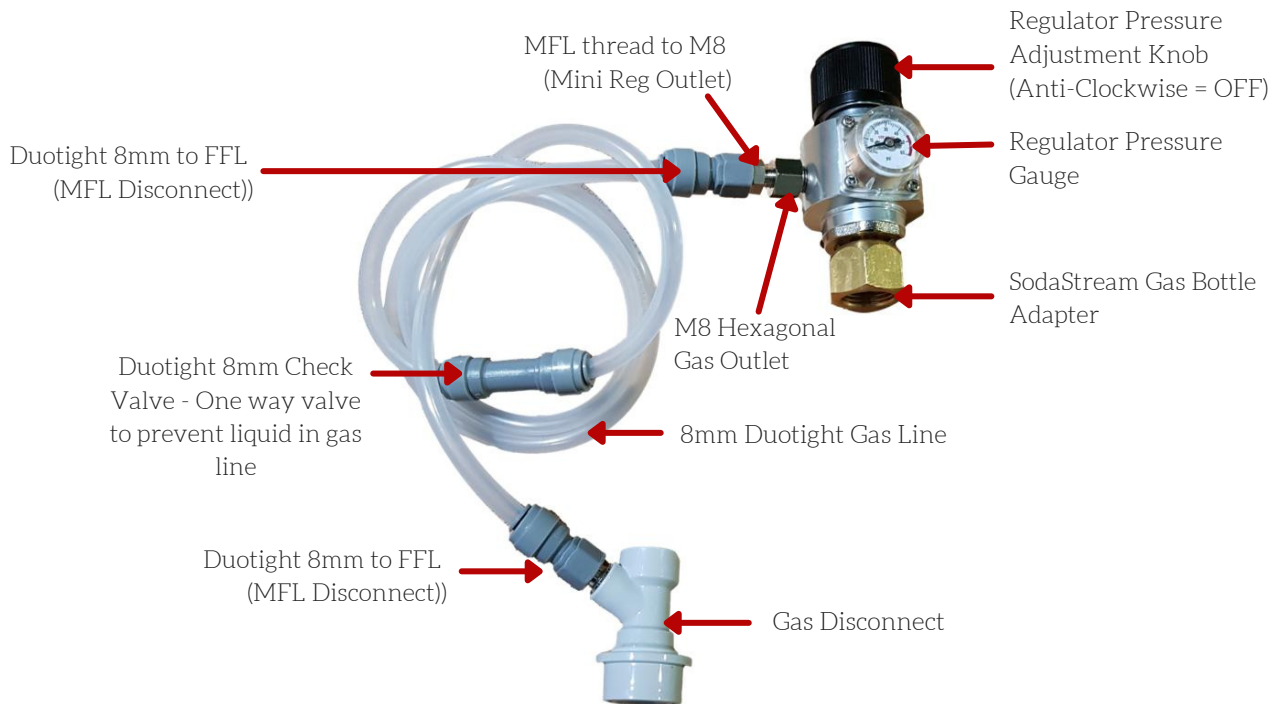
DO NOT lay a keg down with a regulator attached without a check valve disconnect between the keg and regulator. Liquid can get into the regulator and ruin it.

AVOID using the regulator on it's side or upside down as CO2 is also stored in the bulbs / bottles as liquid and will enter the regulator

SLOW or zero flow of gas can just be you have screwed in the gas too tight. This squashes the seal, blocking the inlet. Try slightly unscrewing it.

IKEGGER

MINI REGULATOR ACCESSORIES



To Assemble

THE REMOTE GAS LINE

- This is composed of 5 parts (1 x steel M8-MFL adapter, 2 x FFL duotight push fittings, 1 x one way valve and a length of duotight 8mm outer diameter hose)
- Make sure the FFL duotights are firmly screwed onto the disconnect and the M8 adapter.
- Make sure the end of the hoses are cut straight and pushed firmly into the duotight fittings.
- Screw the M8 adapter finger tight into the hex outlet of the regulator.
- Pressurise the remote gas line (the disconnect has a valve in it that stops gas flow if it isn't connected to a keg).
- The pressure should drop a little when you turn off the regulator and then remain steady and not drop anymore (if it does one of the connections is leaking, test which one with soapy water to look for bubbles).

THE SODASTREAM ADAPTER

- Inspect the seal inside for damage and that it is in place correctly
- Screw finger tight into the inlet of the regulator, tighter will damage the seal.
- Screw the gas bottle into the adapter till you meet a little resistance, then finish firmly and quickly to avoid losing gas.
- You should use a spanner to tighten as we use a very firm seal so it lasts longer than a soft rubber one.

IMPORTANT

Installing The SodaStream Adapter



Watch a video on how to use install the sodastream adapter by scanning this code or entering the website address below

youtu.be/eViWewjlc3g

TEST FOR LEAKS Do not leave your regulator turned on without testing the system for leaks. The connections will loosen with normal use so test every time. You WILL lose a whole bulb / bottle of gas the one time you don't check first.

DISCONNECTING THE REGULATOR:

You can disconnect from the keg at any point, valves prevent gas loss. Once your keg is pressurised you don't have to leave it connected. You can remove the regulator to store the keg in the fridge (you don't have to though, the regulator will not be damaged by cold nor will you use gas if there is no leak).

See them on our shop by scanning the QR code on your phone

Cover (or fold the page) to hide any nearby codes before scanning to avoid getting the wrong product accidentally.

Cleaning and Care Package

Deep cleaner, sanitiser, lubricant and spare o-rings



Australian Shop



European Shop



Remote Gas Line For Mini Reg

Have your regulator and gas source not directly connected to the keg



Australian Shop



European Shop



SodaStream Gas Bottle Adapter

SodaStream gas bottles are available to swap everywhere and contain 400g of CO2 making them a convenient and budget friendly gas source



Australian Shop



European Shop



16g CO2 Bulbs (10 pack)

One bulb will dispense around 4-5L of beer



Australian Shop



European Shop

