

## G65166 1600mm Freestanding Bath

### Notes:

- Freestanding bathtub
- Solid surface
- Matt white
- Chrome waste
- Optional matching stone waste
- 10 year manufacturers warranty

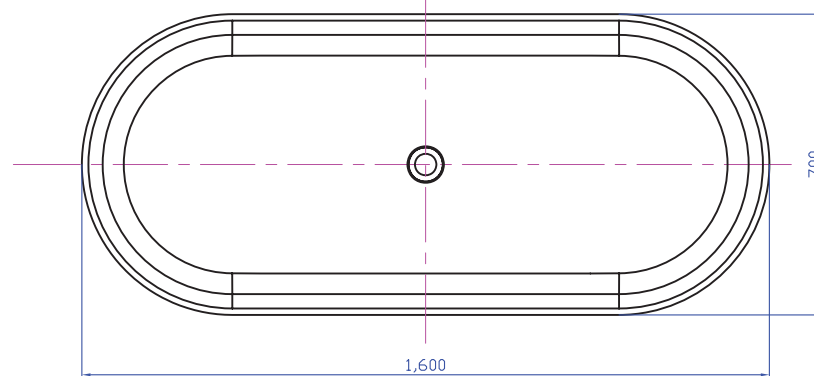
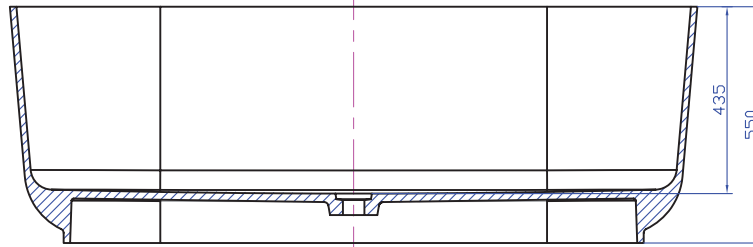
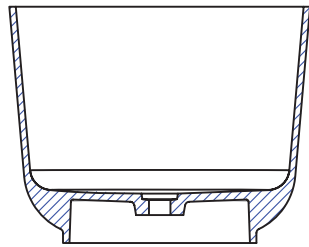
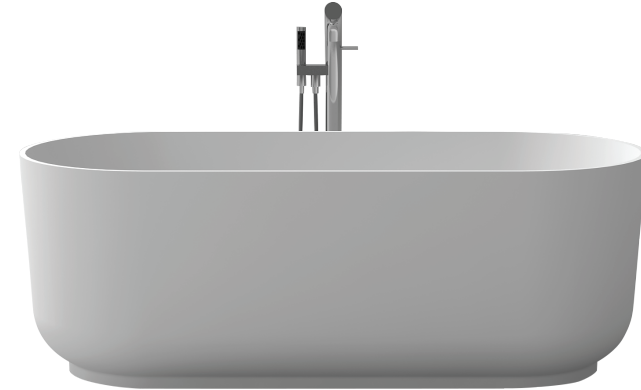
### Finishes:

- Matte white
- Gloss white
- Colour

### Options:

- Overflow
- Non-overflow
- Stone waste

**Size:** 1600 x 700 x 550mm(mm)



Net Weight: 100kg  
Gross Weight: 150kg  
Volume: 295L  
Unit: mm

**GIA**  
*Italii*

#### AUSTRALIA

Phone: 1800 462 946

Email: [info@stonebaths.com.au](mailto:info@stonebaths.com.au)

Web: [stonebaths.com.au](http://stonebaths.com.au)

#### NEW ZEALAND

0800 001 872

[info@stonebaths.co.nz](mailto:info@stonebaths.co.nz)

[stonebaths.co.nz](http://stonebaths.co.nz)