

## Alison ST23 1600mm Freestanding Bath

### Notes:

- Matt white polymarble
- Chrome waste
- 10 year manufacturers warranty

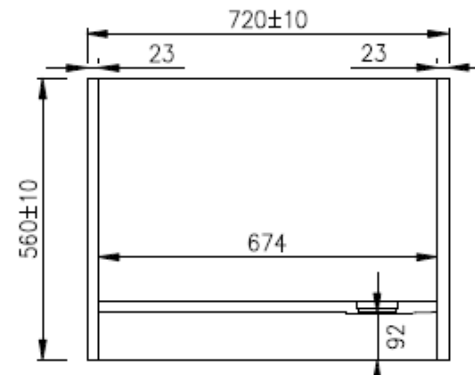
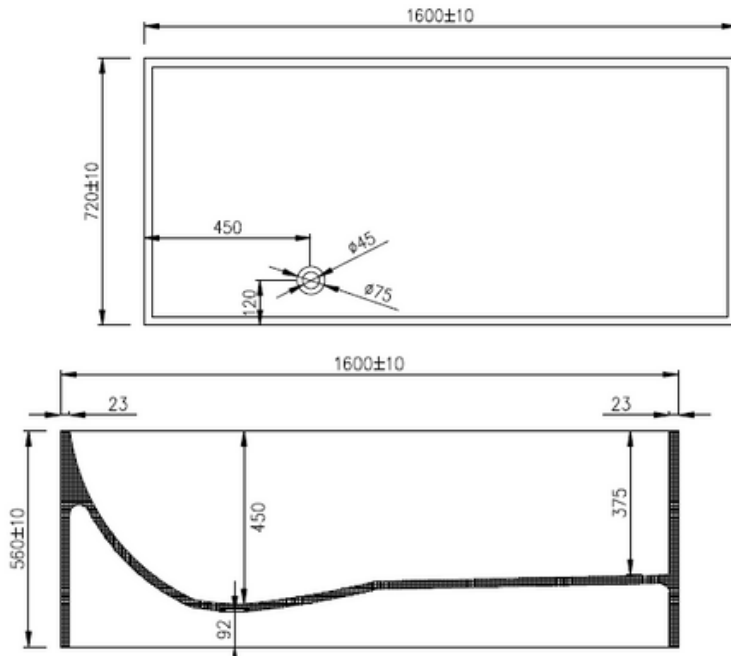
### Finishes:

- Gloss white
- Colour

### Options:

- Stone waste

**Size:** 1600 x 720 x 550mm



Net Weight: 140kg  
 Gross Weight: 190kg  
 Water capacity: 345L  
 Unit: mm (10mm tolerance)