

Hugi B1700-1 Basin

Notes:

- Benchtop
- Polymarble or solid surface composition
- 10 years manufacturers warranty

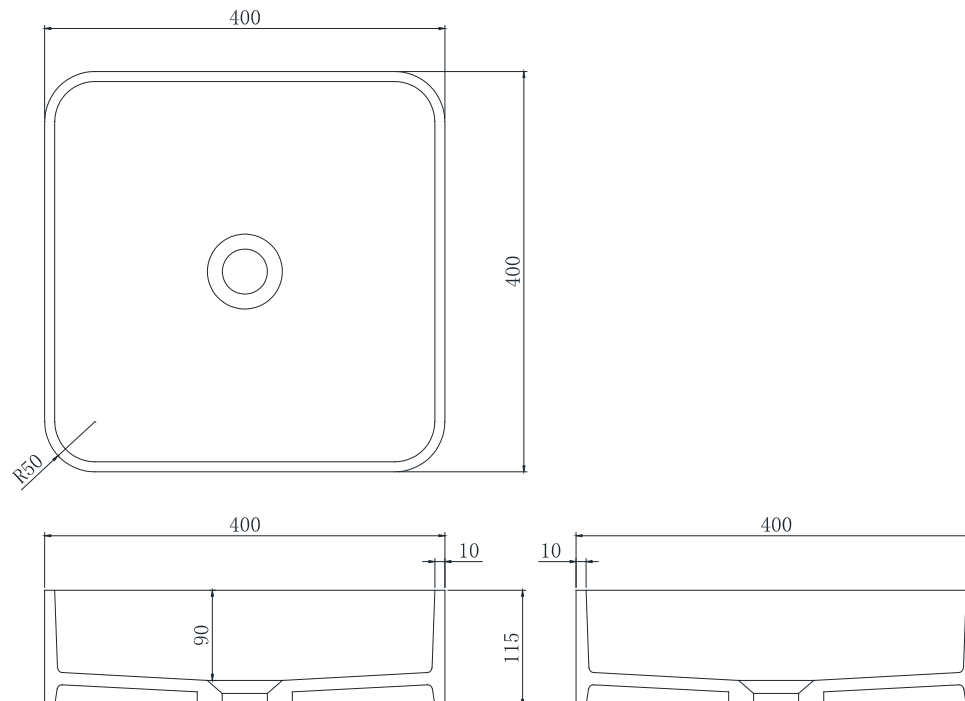
Finishes:

- Matte white
- Gloss white
- Full colour range

Options:

Stone waste
(matte white)

Size: 400 L x 400 W x 115 H (mm)



Net weight: 8kg
Gross weight: 10kg
Unit: mm