

Hugi B1515-5 Basin

Notes:

- Benchtop
- Polymarble or solid surface composition
- 10 years manufacturers warranty

Finishes:

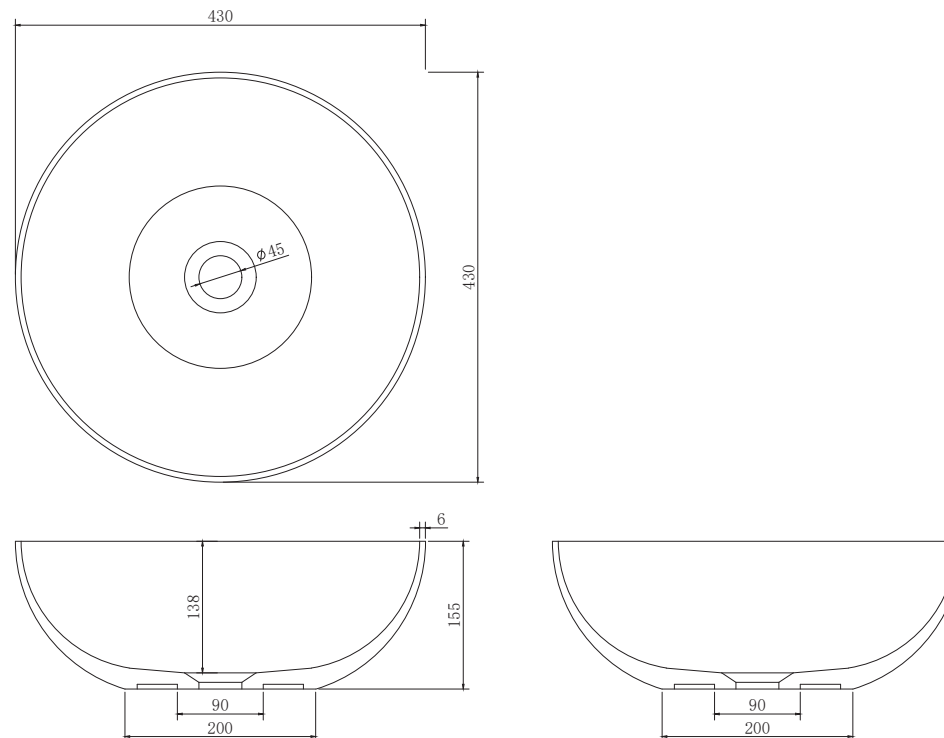
- Matte white
- Gloss white
- Full colour range

Options:

Stone waste
(matte white)



Size: 430 L x 430 W x 155 H (mm)



Net weight: 6.7kg
Gross weight: 8kg
Unit: mm