

Hugi B1515-3 Basin

Notes:

- Benchtop
- Polymarble or solid surface composition
- 10 years manufacturers warranty

Finishes:

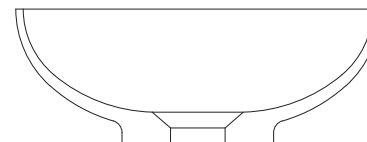
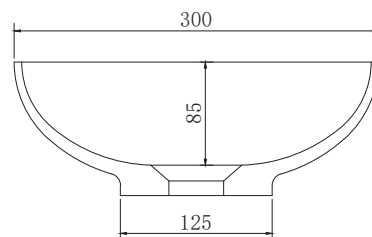
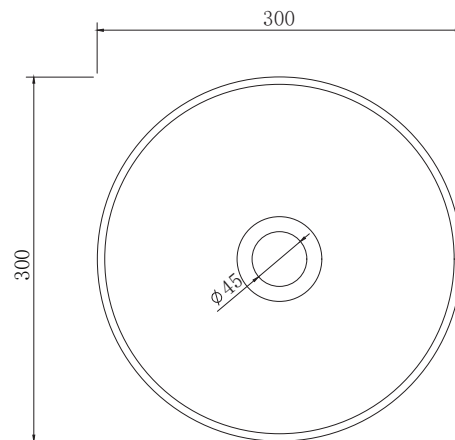
- Matte white
- Gloss white
- Full colour range

Options:

- Stone waste
(matte white)



Size: 300 L x 300 W x 110 H (mm)



Net weight: 3.5kg
Gross weight: 5kg
Unit: mm