

Hugi B1395 Basin

Notes:

- Freestanding
- Polymarble or solid surface composition
- 10 years manufacturers warranty

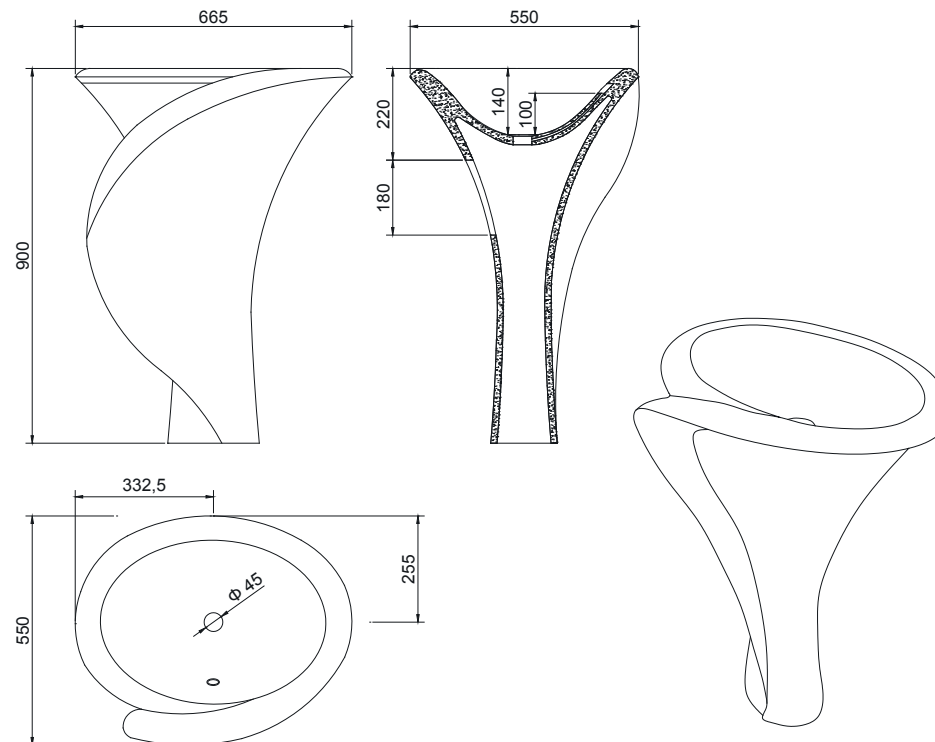
Finishes:

- Matte white
- Gloss white
- Full colour range

Options:

Stone waste
(matte white)

Size: 655 L x 550 W x 900 H (mm)



Net weight: 39kg
Gross weight: 69kg
Unit: mm