

Hugi B1391 Basin

Notes:

- Freestanding
- Polymarble or solid surface composition
- 10 years manufacturers warranty

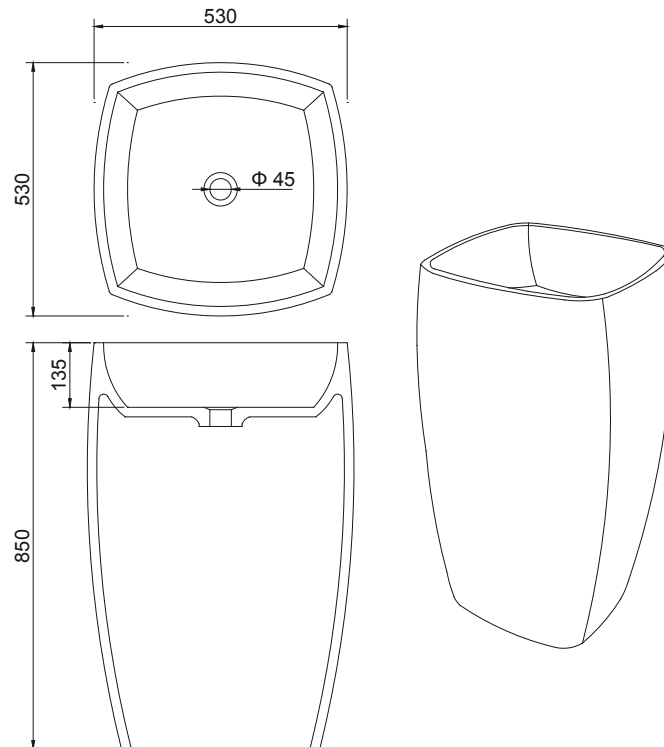
Finishes:

- Matte white
- Gloss white
- Full colour range

Options:

- Stone waste
(matte white)

Size: 530 L x 530 W x 850 H (mm)



Net weight: 90kg
Gross weight: 120kg
Unit: mm