

B1592 550mm Basin

Notes:

- Freestanding
- Polymarble or solid surface composition
- 10 years manufacturers warranty

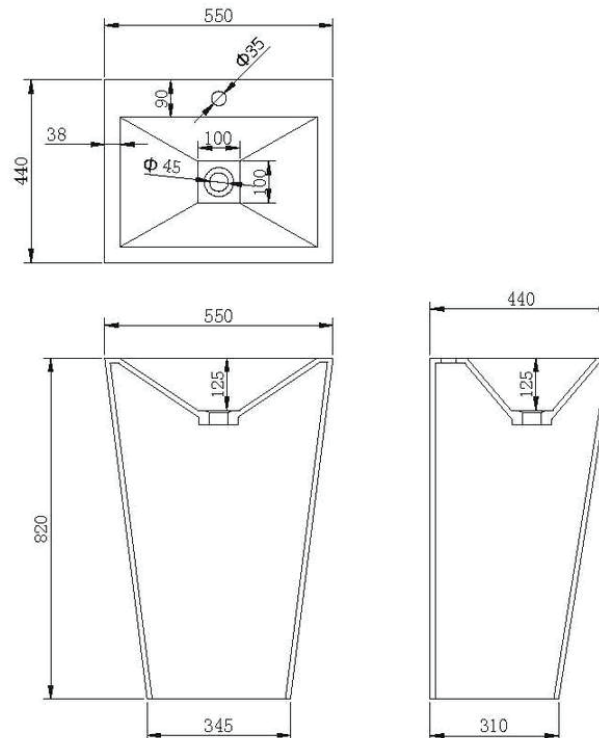
Finishes:

- Matte white
- Gloss white
- Full colour range

Options:

Stone waste
(matte white)

Size: 550 L x 440 W x 820 H (mm)



Net weight: 59kg
Gross weight: 89kg
Unit: mm