

B1541 900mm Wall Hung Basin

Notes:

- Wall Hung
- Polymarble or solid surface composition
- 10 years manufacturers warranty

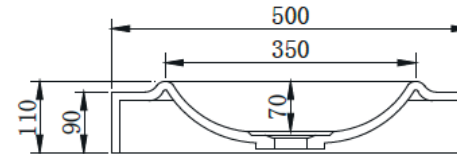
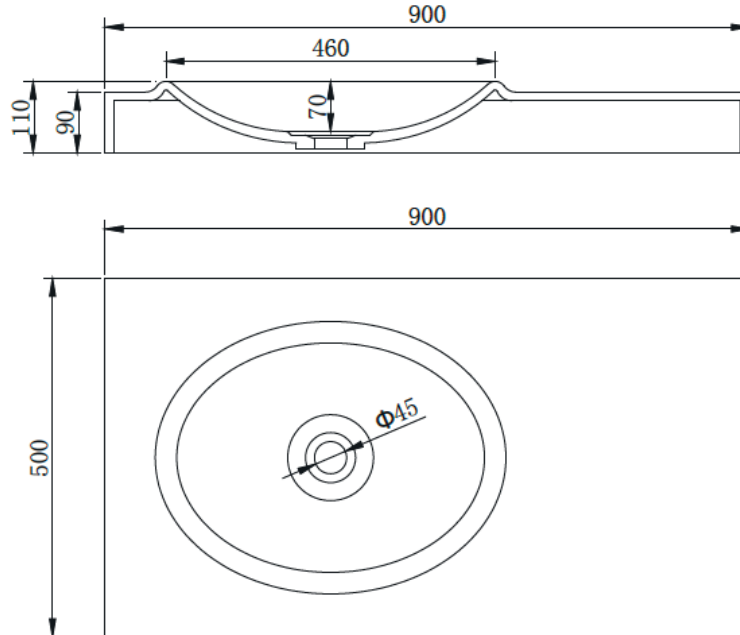
Finishes:

- Matte white
- Gloss white
- Full colour range

Options:

- Stone waste
(matte white)

Size: 900 L x 500 W x 110 H (mm)



Net weight: 18kg
Gross weight: 20kg
Unit: mm