

B1393-1 520mm

Notes:

- Freestanding
- Polymarble or solid surface composition
- 10 years manufacturers warranty

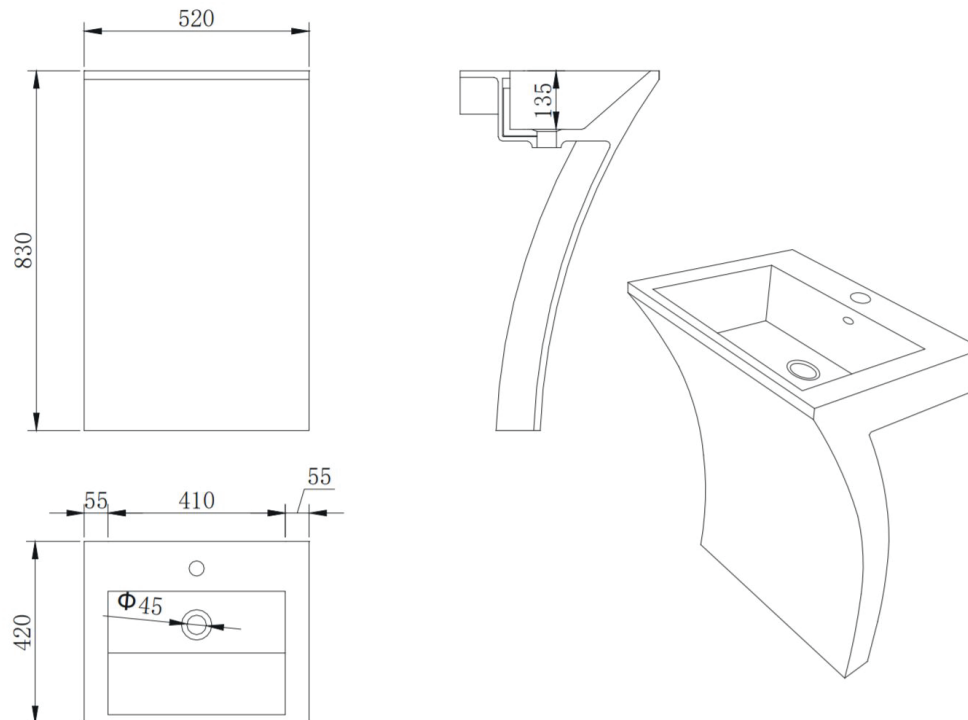
Finishes:

- Matte white
- Gloss white
- Full colour range

Options:

- Stone waste
(matte white)

Size: 520 L x 420 W x 830 H (mm)



Net weight: 32 kg
Gross weight: 62 kg
Unit: mm