

## G65121 1650mm Freestanding Bath

### Notes:

- Freestanding bathtub
- Solid surface
- Matt white
- Chrome waste
- Optional matching stone waste
- 10 year manufacturers warranty

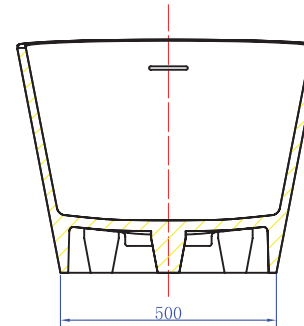
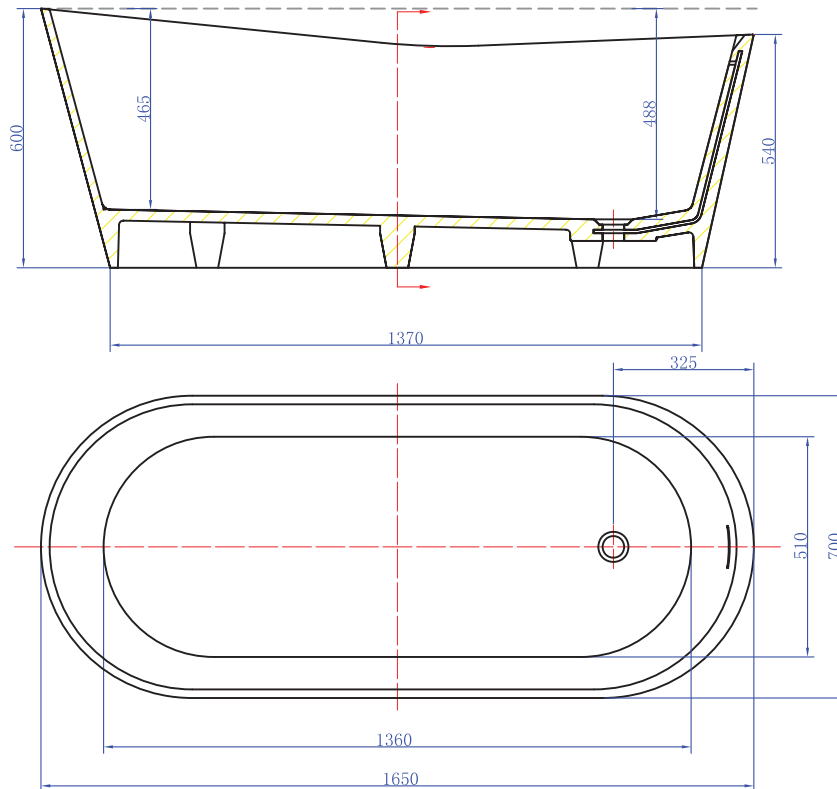
### Finishes:

- Matte white
- Gloss white
- Colour

### Options:

- Overflow
- Non-overflow
- Stone waste

**Size:** 1650 x 700 x 600(mm)



Net Weight: 125kg  
Gross Weight: 175kg  
Volume: 250L  
Unit: mm

**GIA**  
*Itallii*

#### AUSTRALIA

Phone: 1800 462 946  
Email: [info@stonebaths.com.au](mailto:info@stonebaths.com.au)  
Web: [stonebaths.com.au](http://stonebaths.com.au)

#### NEW ZEALAND

0800 001 872  
info@stonebaths.co.nz  
[stonebaths.co.nz](http://stonebaths.co.nz)