

## G38566 900mm Freestanding Vanity

### Notes:

- Solid surface basin
- Overflow
- Matt white
- MDF timber cabinetry & Blum hardware
- Chrome waste
- Optional matching stone waste
- 10 year manufacturers warranty

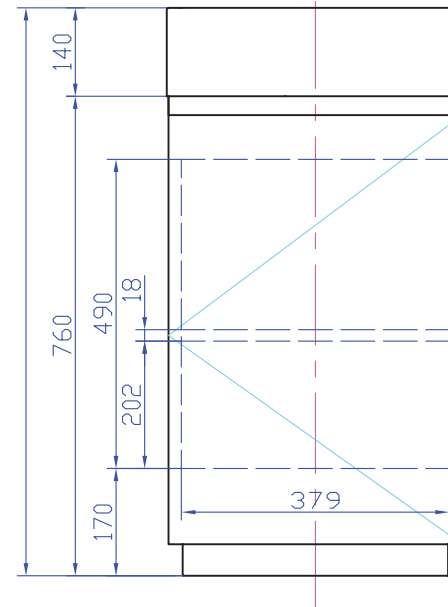
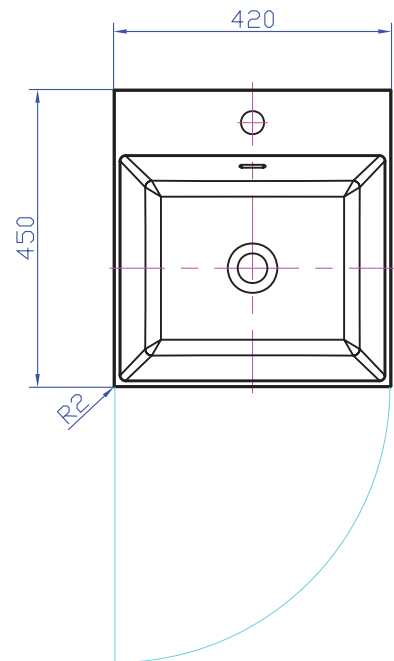
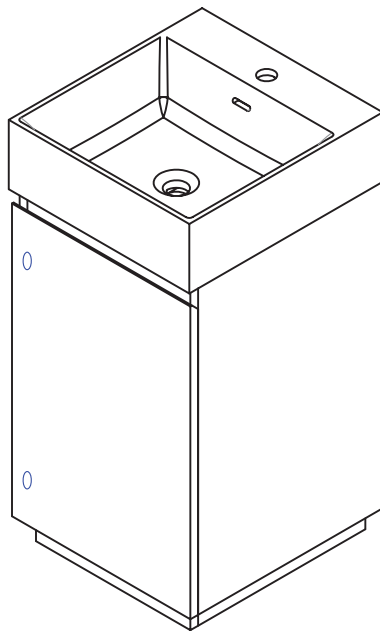
**Size:** 900 x 450 x 420 (mm)

### Finishes:

- Matte white
- Gloss white
- MDF timber colour range

### Options:

- Stone waste
- Taphole



Net Weight: 40kg  
Gross Weight: 43kg

#### AUSTRALIA

Phone: 1800 462 946  
Email: [info@stonebaths.com.au](mailto:info@stonebaths.com.au)  
Web: [stonebaths.com.au](http://stonebaths.com.au)

#### NEW ZEALAND

0800 001 872  
Email: [info@stonebaths.co.nz](mailto:info@stonebaths.co.nz)  
[stonebaths.co.nz](http://stonebaths.co.nz)