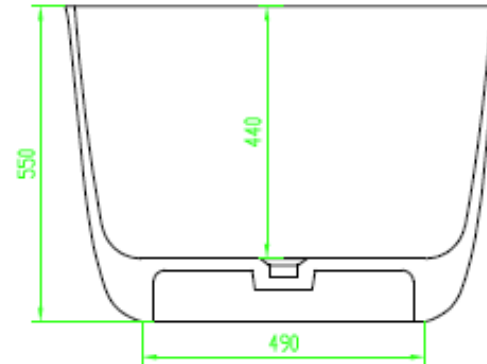
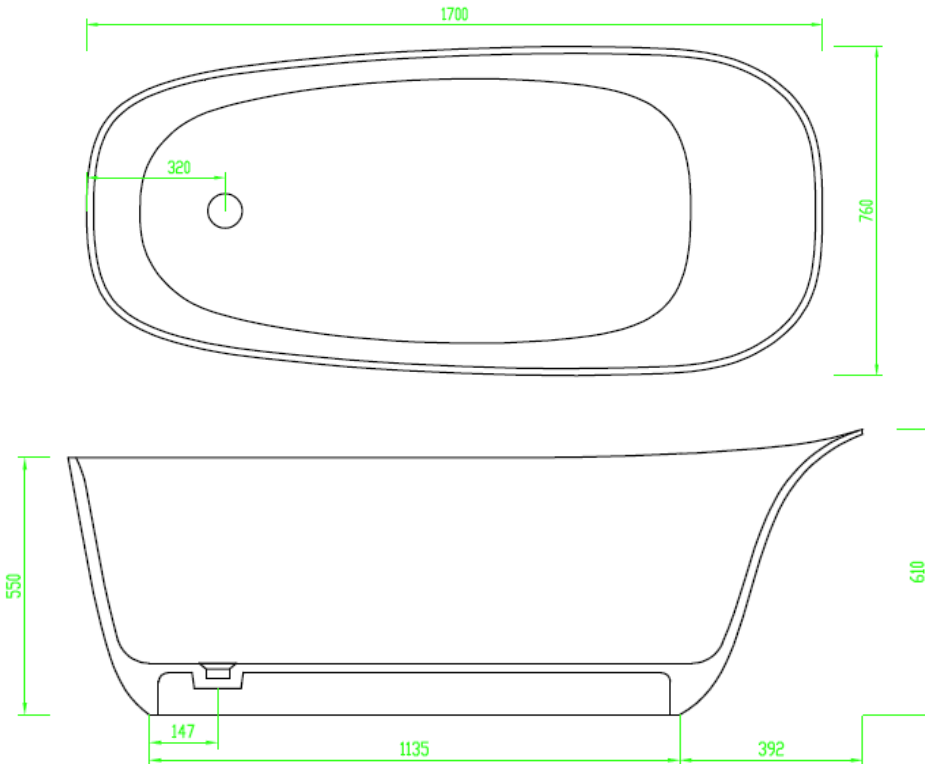


## Dan 1700mm Freestanding Bath LGD01

Size: 1700 x 760 x 550/610mm

NEW ZEALAND  
Phone: 0800 001 872  
Email: info@stonebaths.co.nz  
Web www.stonebaths.com.au

AUSTRALIA  
Phone: 1800 462 946  
Email: info@stonebaths.com.au  
Web www.stonebaths.com.au



**Net Weight: 120 kg**  
**Water Capacity: 295 kg**

### Upgrades & Additions:

- Gloss finish
- Colour
- Matching stone waste

### Notes:

- Standard finish is matte white polymarble
- Waste sold separately
- 10 year manufacturers warranty