

TOKA concrete.

Cora 1800mm freestanding concrete bath

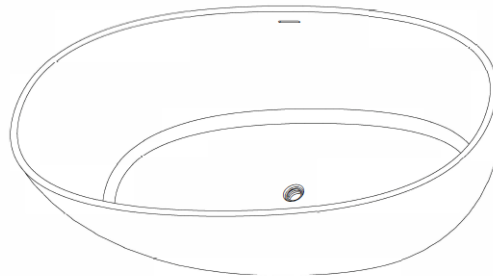
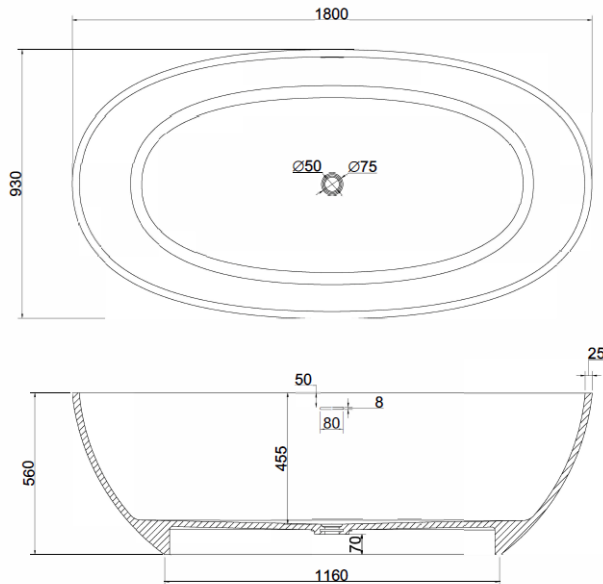
Notes:

- Natural finish concrete
- No overflow
- 5 year manufacturers warranty

Options:

- Matching waste
- Overflow additional
- Range of colours

Size: 1800 x 930 x 560 (mm)



Net Weight: 196kg
Gross Weight: 228kg
Water Capacity: 312
Unit: mm