

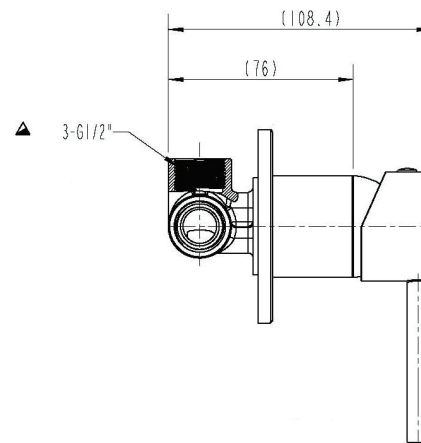
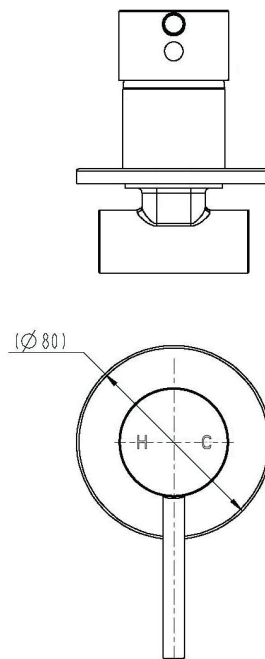
## CLAS14

### Notes:

- Solid brass construction
- Watermark approved; complies with AS/NZS 3718:2005
- Installation instructions and all parts included
- 15 year warranty

### Finishes:

- Brushed nickel
- Brushed gunmetal



### AUSTRALIA

Phone: 1800 462 946  
 Email: [sales@stonebaths.com.au](mailto:sales@stonebaths.com.au)  
 Web: [stonebaths.com.au](http://stonebaths.com.au)

### NEW ZEALAND

0800 001 872  
 Email: [sales@stonebaths.co.nz](mailto:sales@stonebaths.co.nz)  
 Web: [stonebaths.co.nz](http://stonebaths.co.nz)