

## B068 1600 mm Freestanding Bath

### Notes:

- Freestanding bathtub
- Polymarble or solid surface composition
- Matte white
- Chrome waste
- Optional matching stone waste available
- 10 years manufacturers warranty

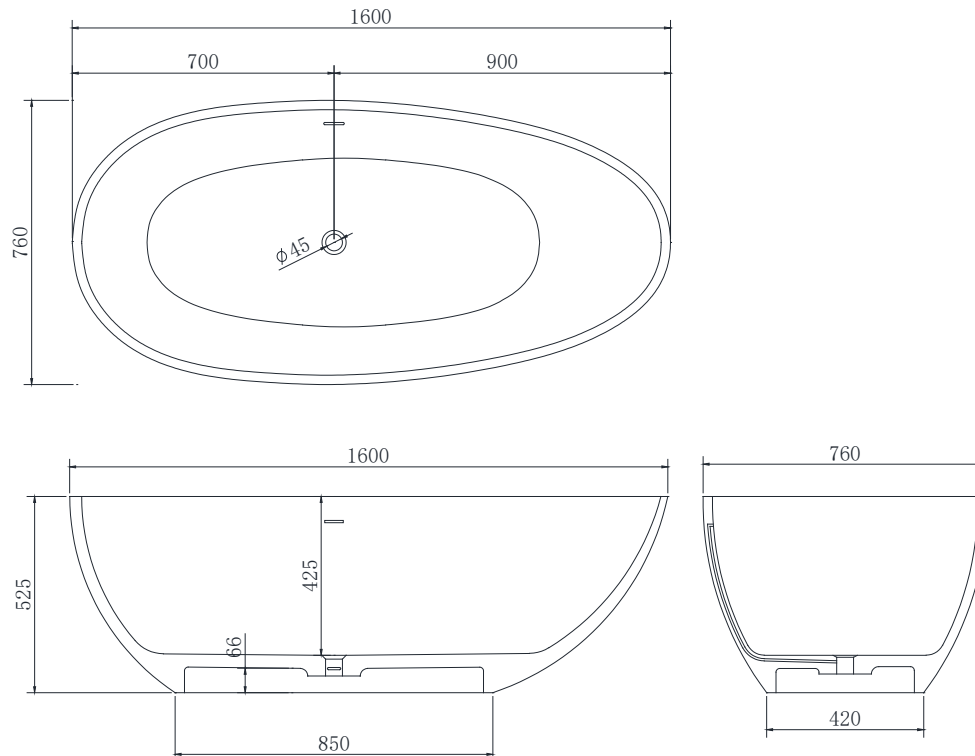
### Finishes:

- Matte white
- Gloss white
- Full colour range

### Options:

- Overflow
- Non-overflow
- Stone waste

Size: 1600L x 760W x 525H (mm)



Net weight: 133kg  
 Gross weight: 196kg  
 Water Capacity: 270lt  
 Unit: mm