

## Hugi B047 1550mm Freestanding Bath

### Notes:

- Freestanding
- Polymarble or solid surface composition
- 10 years manufacturers warranty

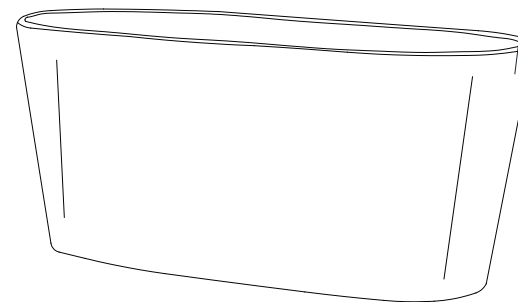
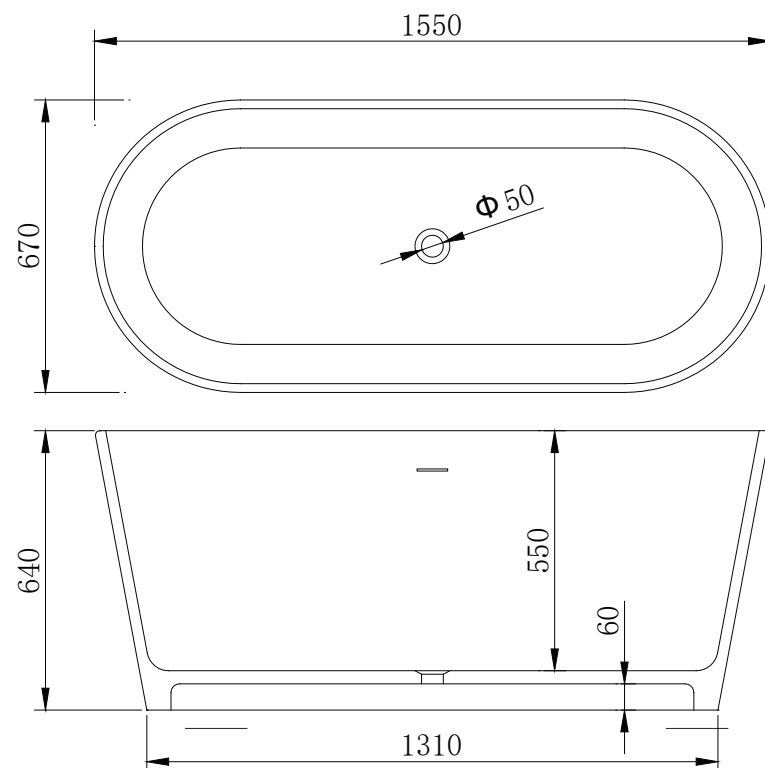
### Finishes:

- Matte white
- Gloss white
- Full colour range

### Options:

- Stone waste  
(matte white)

**Size:** 1550 x 670 x 640(mm)



Net weight: 150kg  
Gross weight: 213kg  
Vol: 312L  
Unit: mm