

HUGI

STONEBATHS

AUSTRALIA
Phone: 1800 462 946
Email: info@stonebaths.com.au
Web www.stonebaths.com.au

NEW ZEALAND
Phone: 0800 001 872
Email: info@stonebaths.co.nz
Web www.stonebaths.com.au



Hugi Wall Hung 1800mm Ramp Basin

Notes:

- Matte white solid surface
- Includes brackets and screws
- Wall hung or on a vanity
- 10 year manufacturers warranty

Size: 1800 x 460 x 200mm (mm)

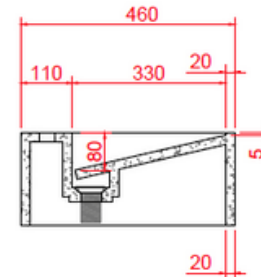
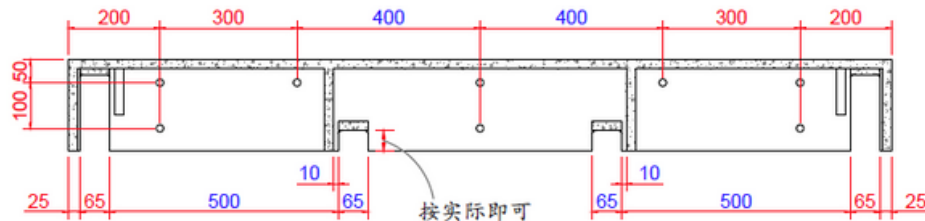
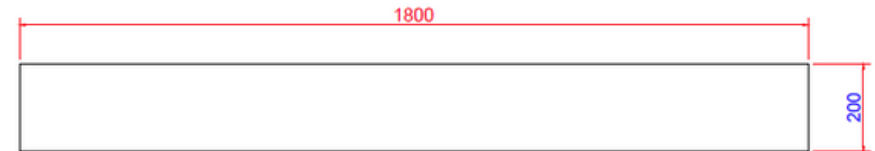
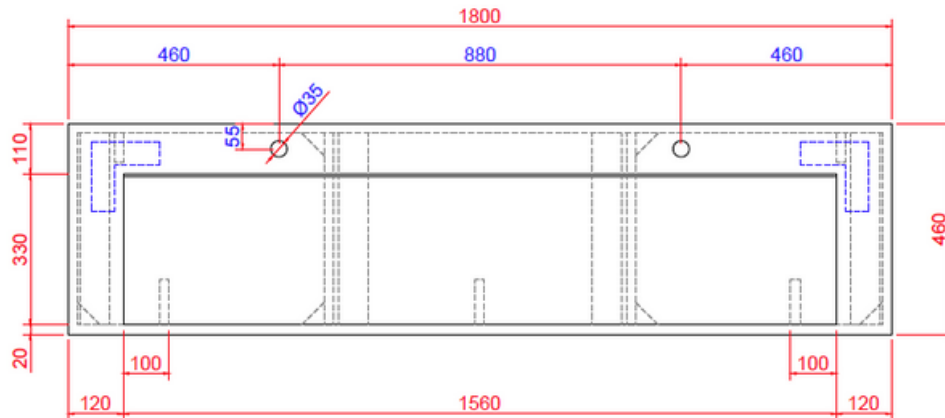


Image indicative only.



Net Weight: 45kg
Gross Weight: 50kg
Unit: mm
5-10mm tolerance