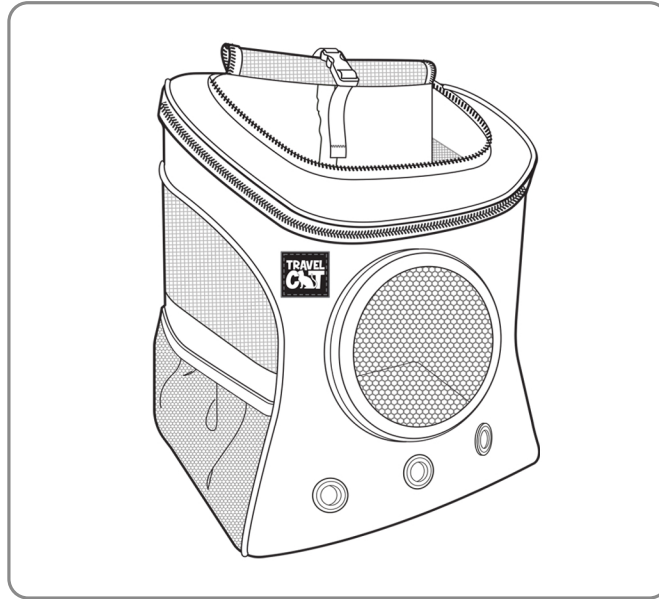


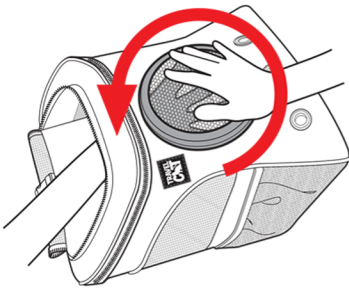


# “THE FAT CAT” MINI CAT BACKPACK

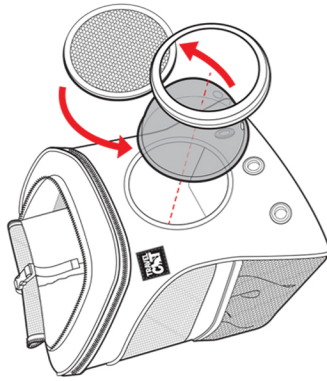
USER GUIDE



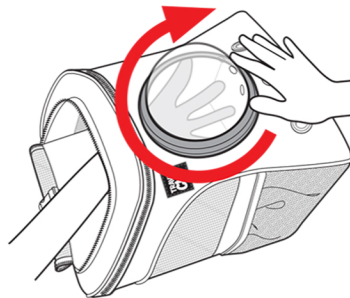
**1** Twist outside ring counter clockwise



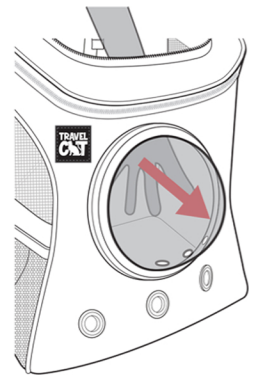
**2** Replace mesh window with bubble



**3** Turn outside ring clockwise to tighten



**4** Try to push bubble from inside to check it's attached securely



Shop our Full Line of Travel Cat  
Harnesses, Accessories, & Backpacks:  
[travelcatshop.com](http://travelcatshop.com)



@yourcatbackpack



@travelcatshop

Backpack Training  
[travelcatshop.com/backpacktips](http://travelcatshop.com/backpacktips)



Loving your cat backpack? Please leave a review!  
It means a lot to our small business:  
[travelcatshop.com/fatcat-mini](http://travelcatshop.com/fatcat-mini)



More Tips  
[travelcatshop.com/blog](http://travelcatshop.com/blog)



Proudly Woman Owned & Based in New York  
Questions? Need support? Email [meow@travelcatshop.com](mailto:meow@travelcatshop.com)