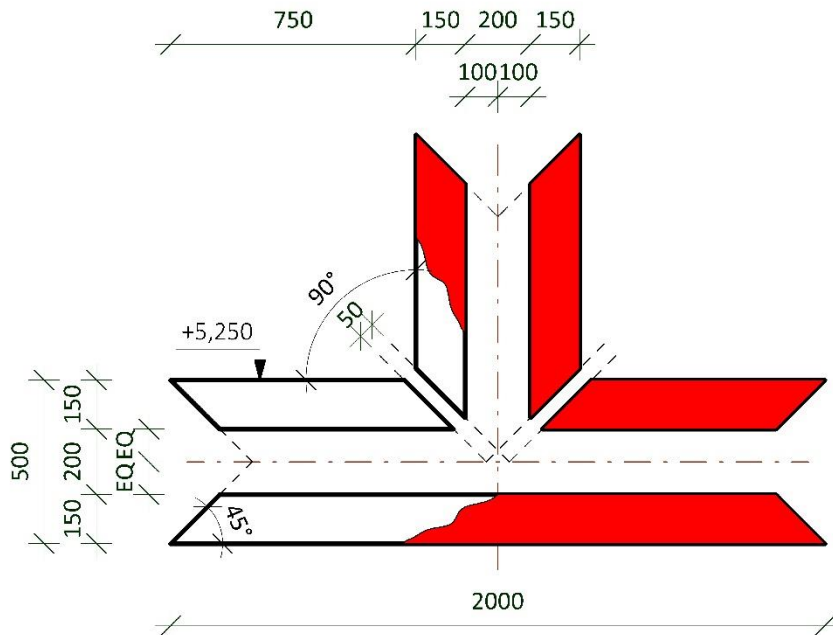




DO IT FOR YOURSELF

WE ALSO KNOW IT AS

DIFY





CAUTION

All rights reserved. No part of this publication may be reproduced, distributed, or transmitted in any form or by any means, including photocopying, recording, or other electronic or mechanical methods, without the prior written permission of the publisher, except in the case of brief quotations embodied in critical reviews and certain other noncommercial uses permitted by copyright law. For permission requests, write to the publisher, addressed "Attention: Permissions Coordinator," at the address below.

Be careful not to injure yourself. Use this ebook for illustrative guidance only. Any information or data provided is based upon SAFEAT™'s current knowledge and understanding of the subject matter, and is offered solely as a possible suggestion for use in making your own decisions.

Best regards,
SAFEAT™
a safety brand that brings You quality safety products!

BASIC INSTRUCTIONS FOR ASSEMBLING DIFY PROJECTS IN THIS EBOOK

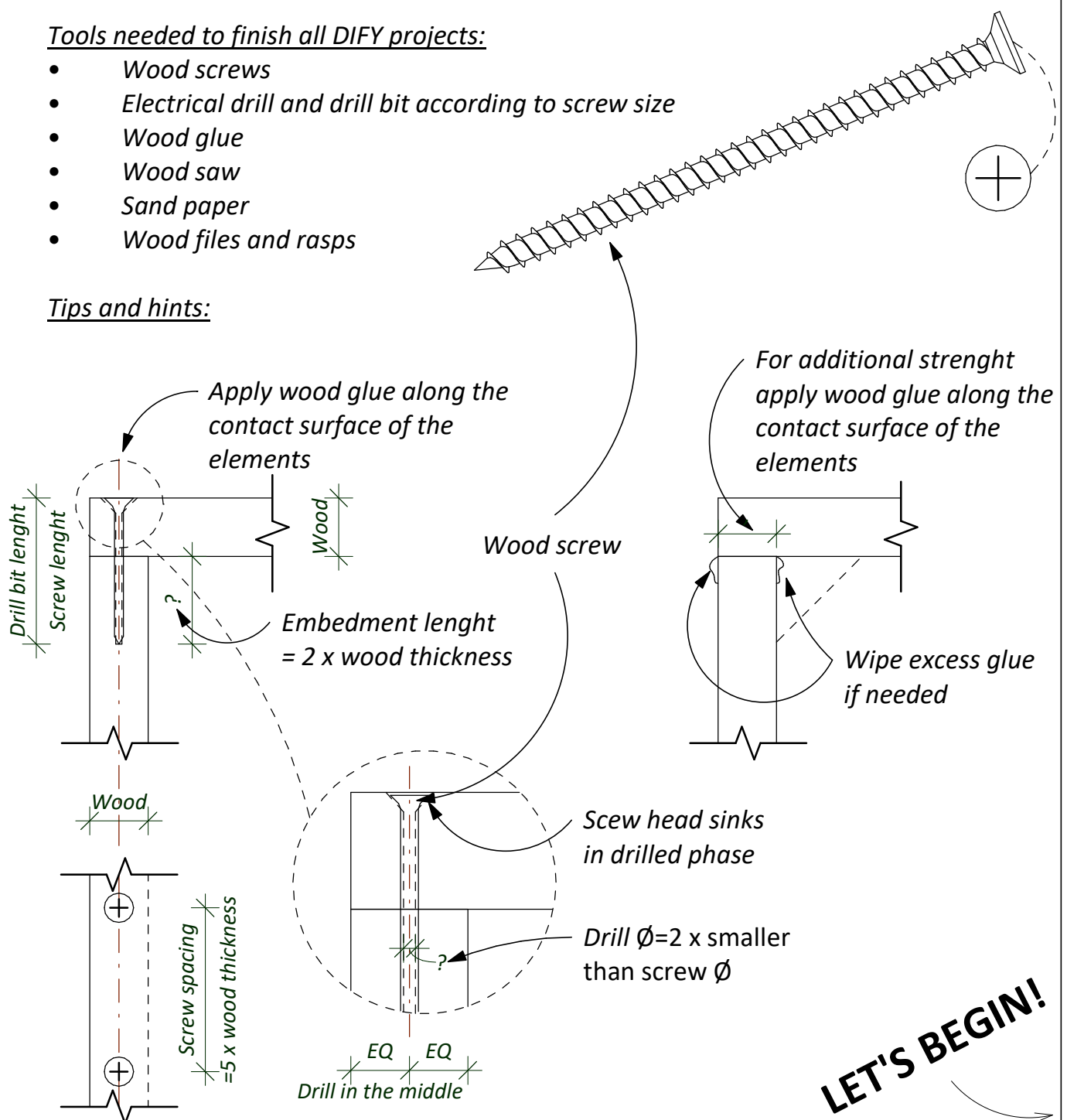
General notes:

1. Find the timber material with adequate thickness and strength
2. Do additional measurements if needed
3. Solving DIFY needs clever approach and good understanding of drawings
4. You can change and have to evaluate the measurements to your surroundings if needed
5. If measurement is shown as "?", then it needs your measuring input
6. Drill sufficient holes before fastening with screws
7. Wood glue may be enough fastening method for some projects
8. Hide screw heads with paint if needed

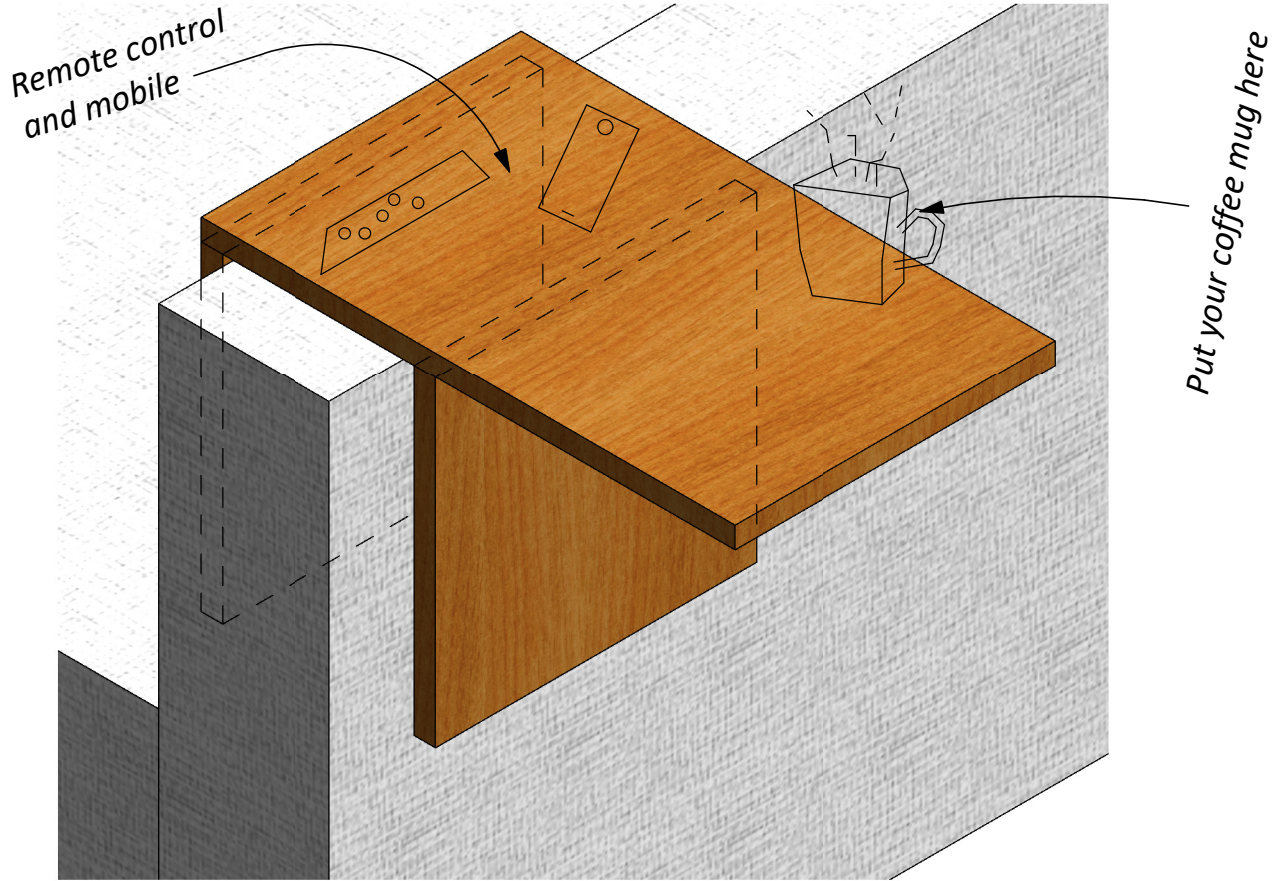
Tools needed to finish all DIFY projects:

- Wood screws
- Electrical drill and drill bit according to screw size
- Wood glue
- Wood saw
- Sand paper
- Wood files and rasps

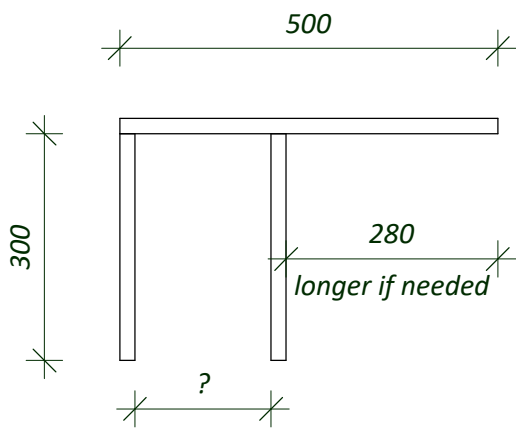
Tips and hints:



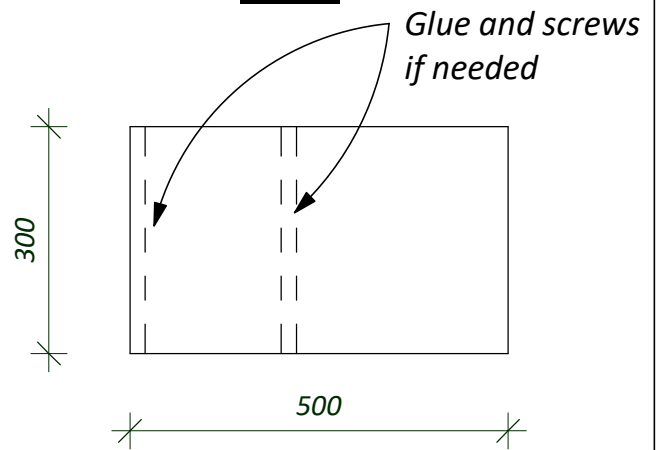
SOFA ARMREST TABLE "LOFTY"



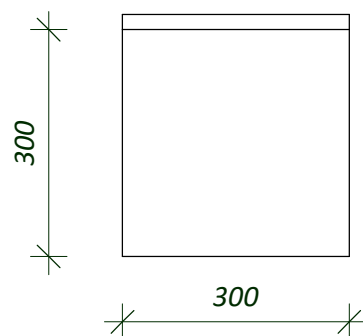
SIDE



TOP

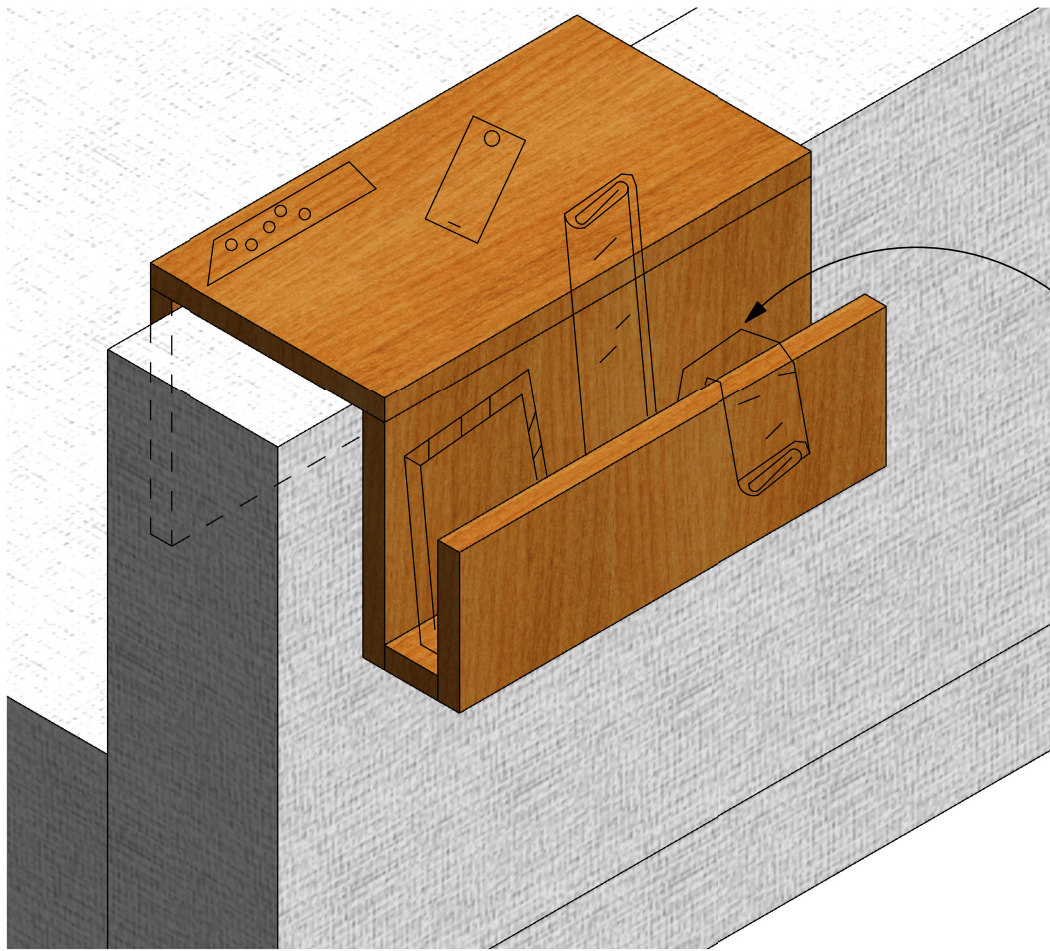


FRONT



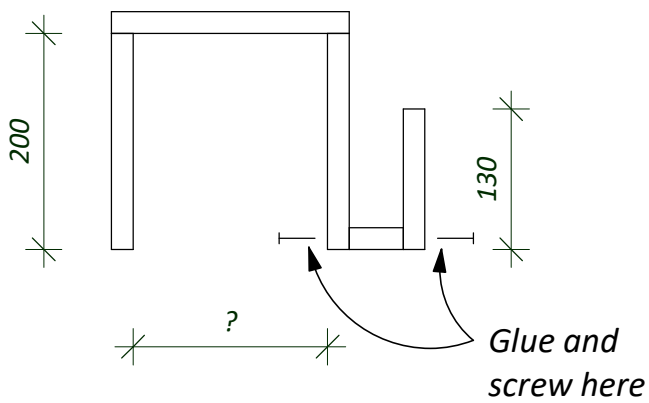
Using smooth wood will give best results

SOFA ARMREST TABLE "SMARTY"



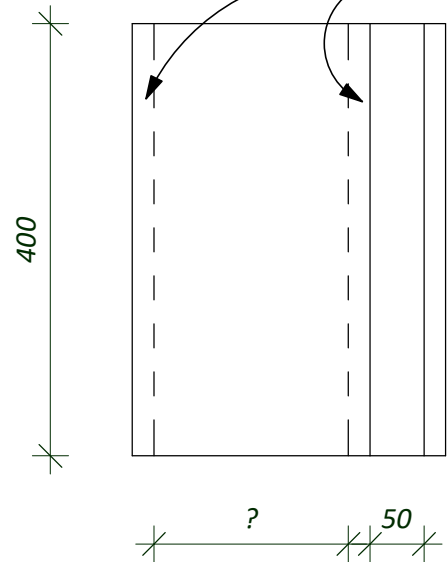
Newspapers and books like to be here

SIDE

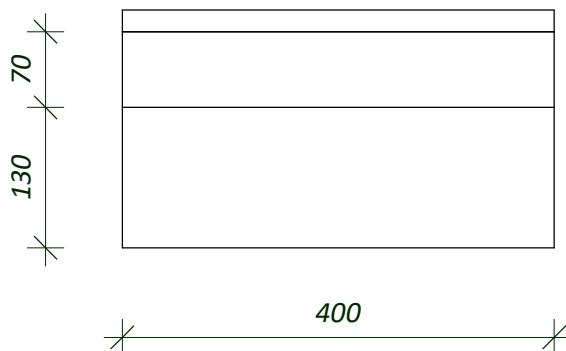


TOP

Glue and screws if needed

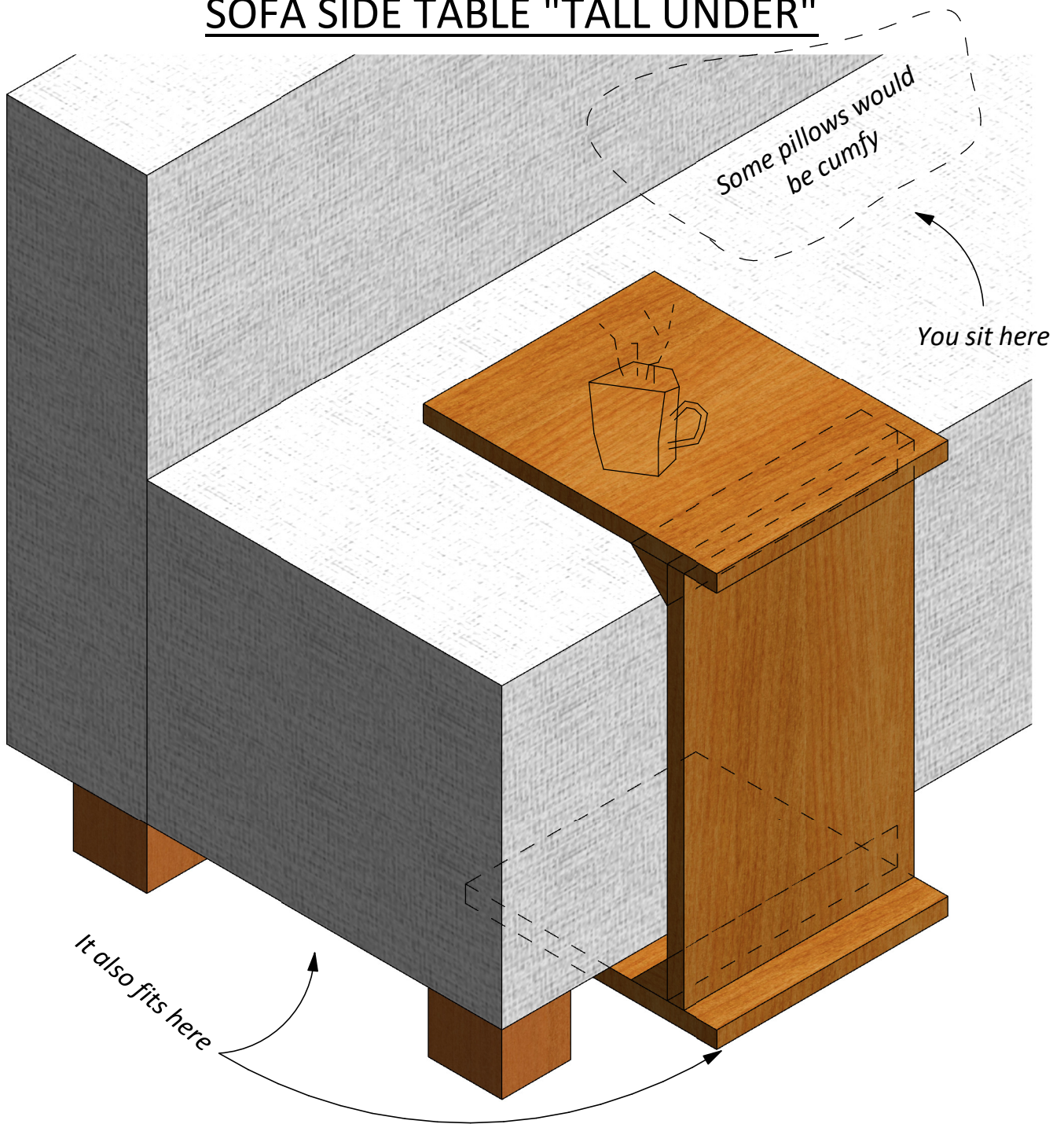


FRONT

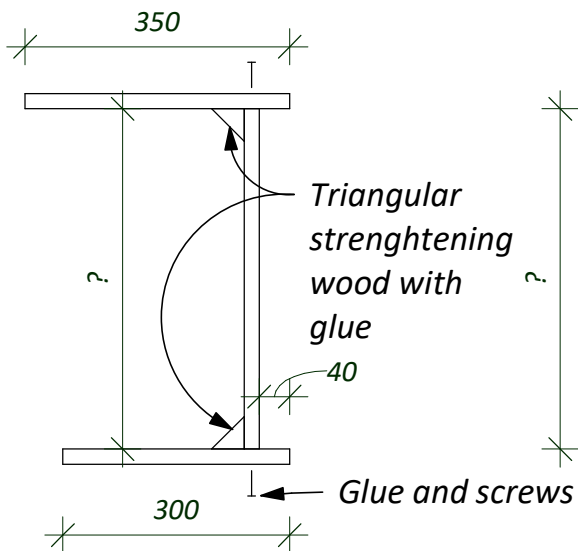


Using smooth wood will give best results

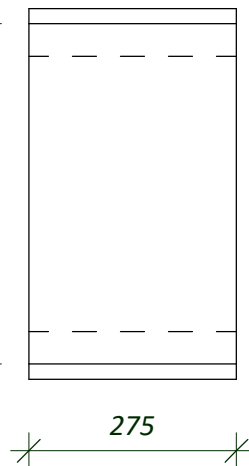
SOFA SIDE TABLE "TALL UNDER"



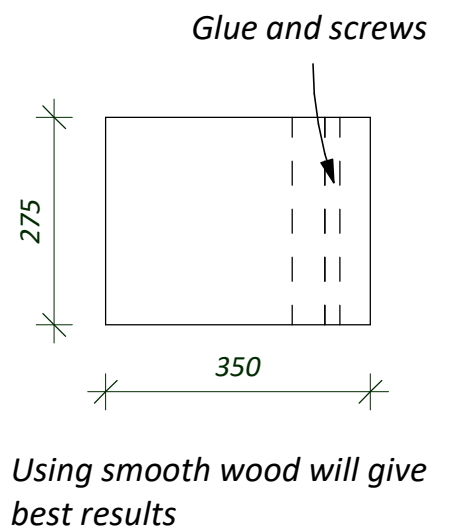
SIDE



FRONT



TOP

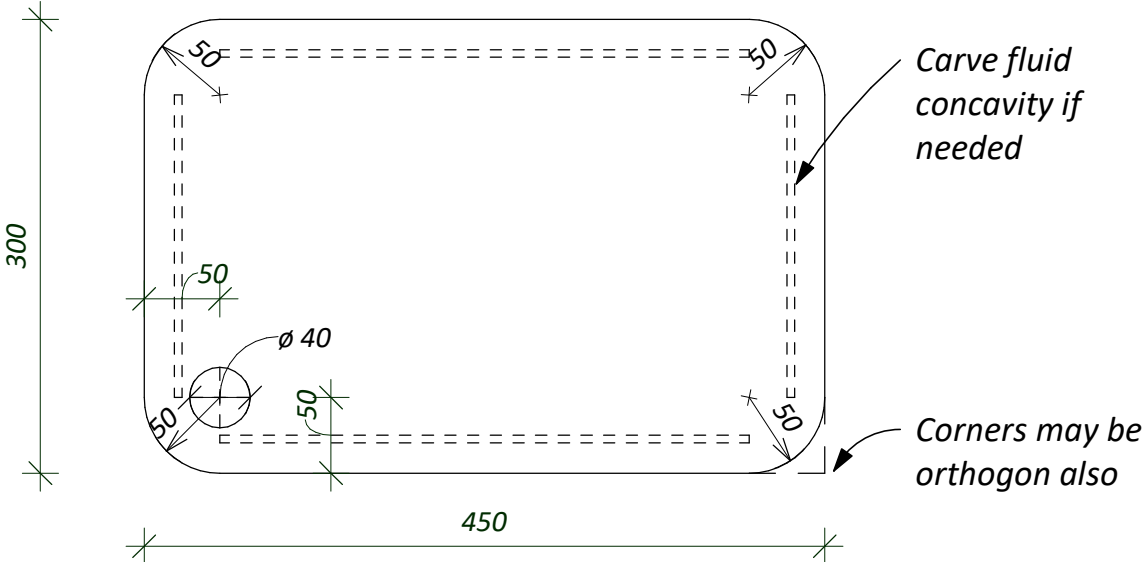


CUTTING BOARD "CUTTY"

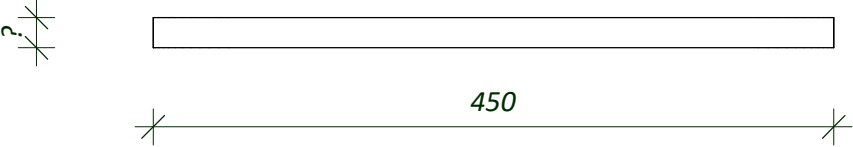
Hang with this hole



TOP



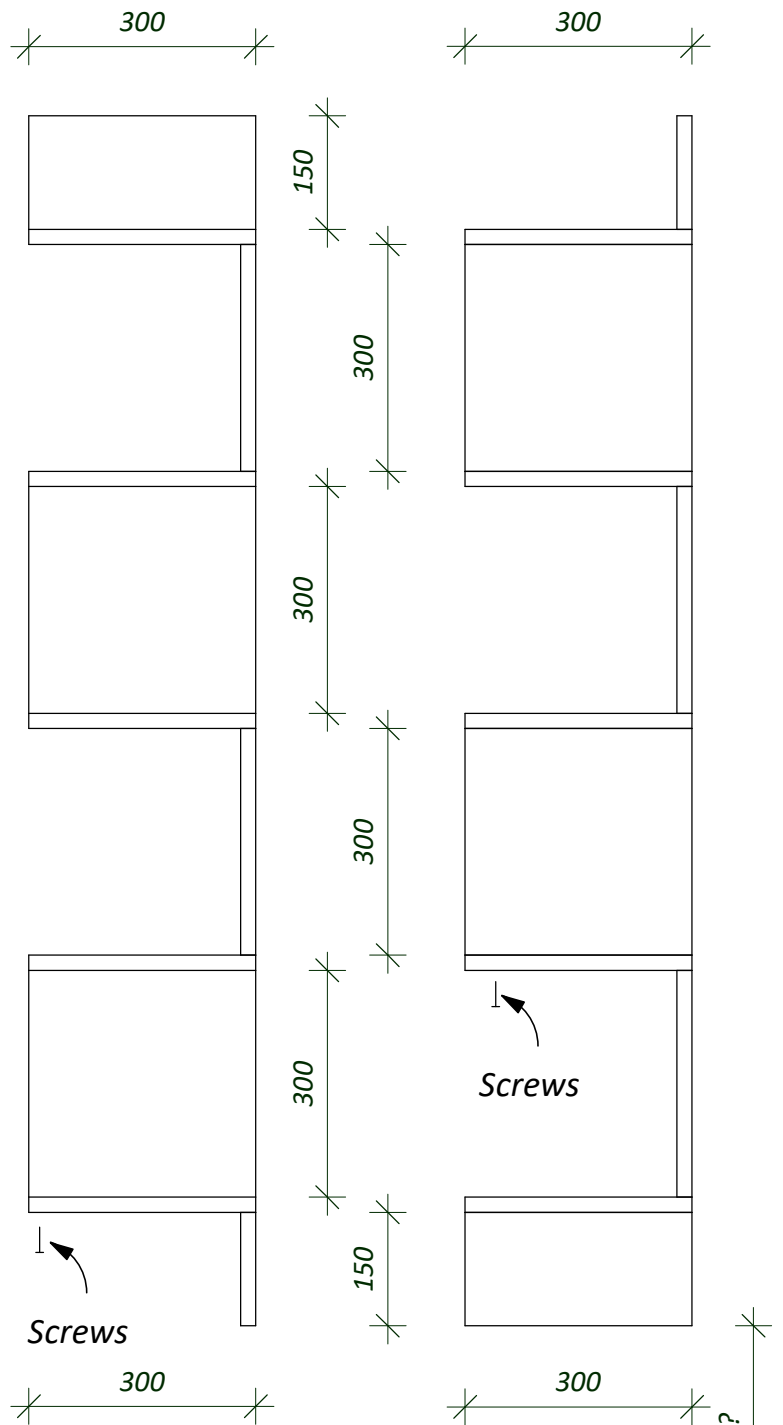
SIDE



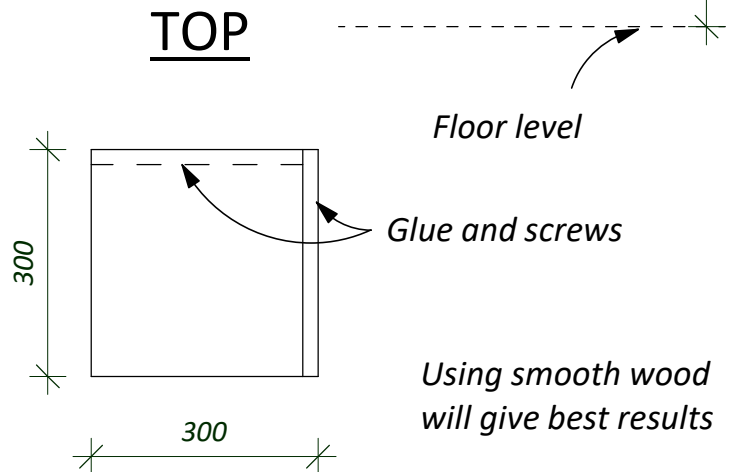
Using smooth wood will give best results

CORNER SHELF "SHELFY"

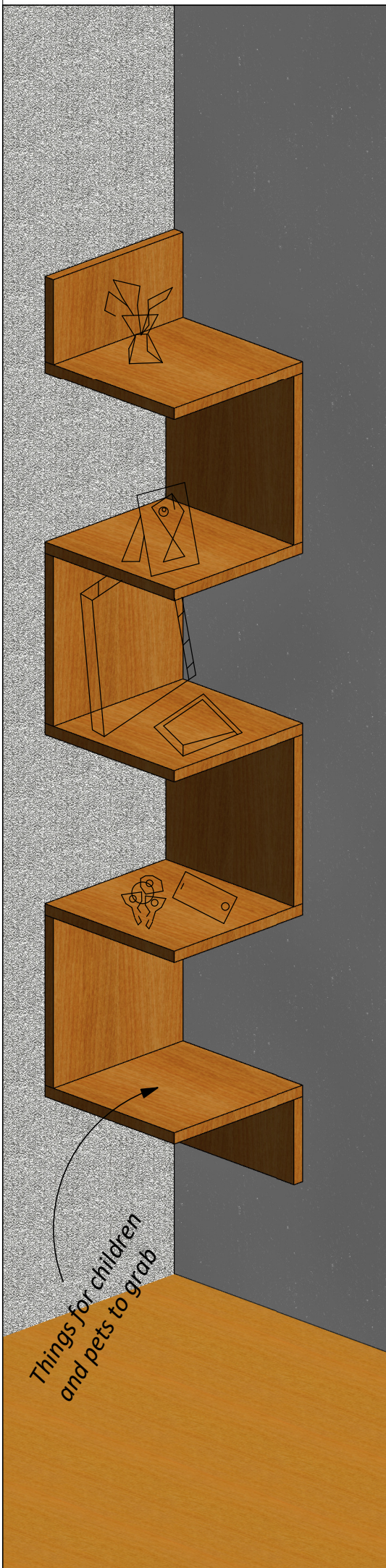
SIDES



TOP



Things for children and pets to grab

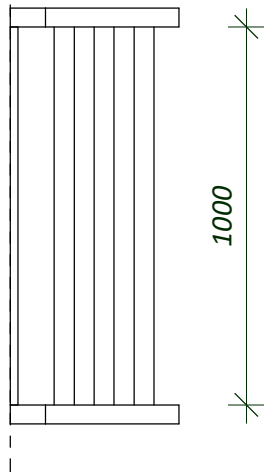


WALL LADDER SHELF "RELY"

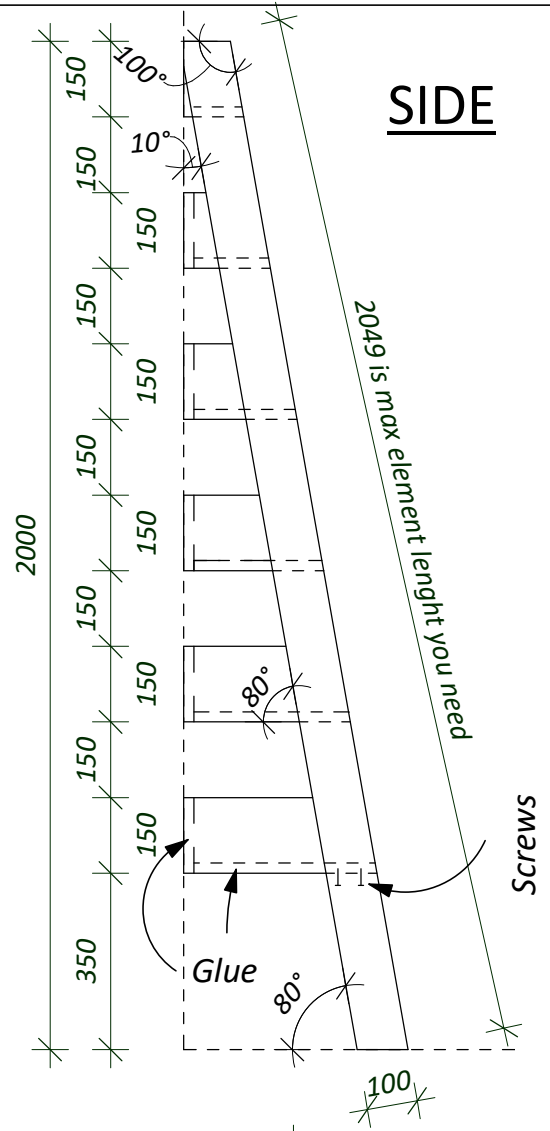
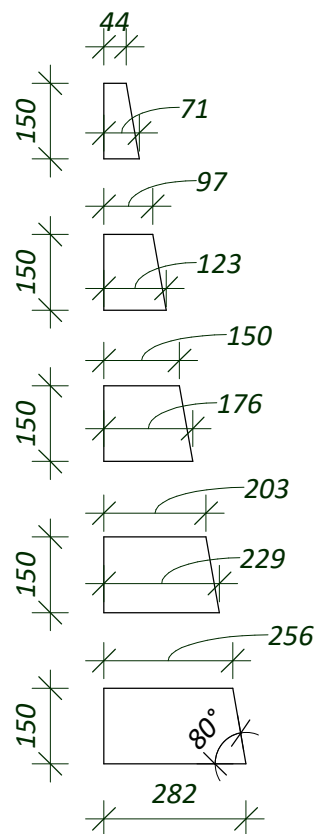


I am wall, find me

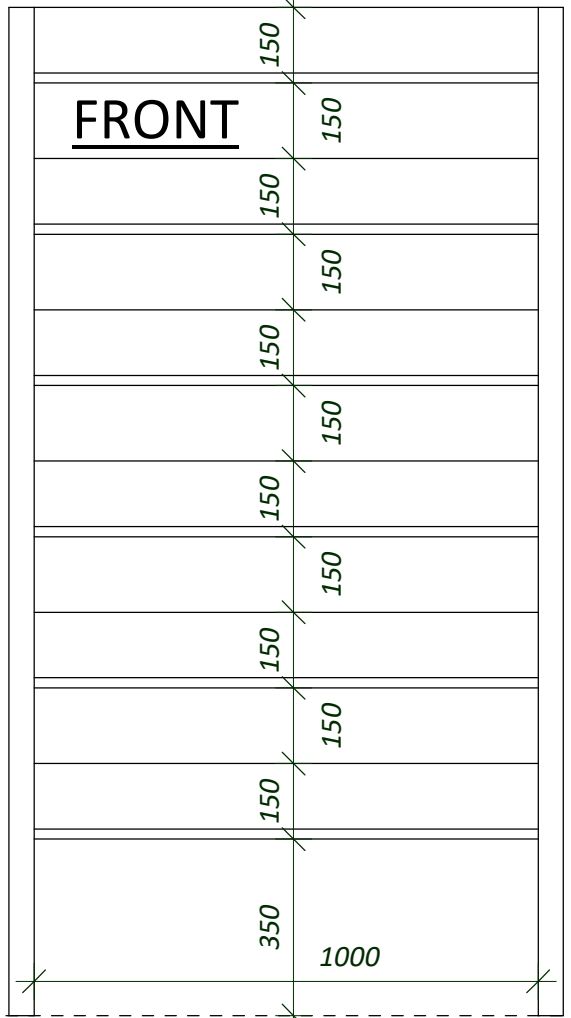
TOP



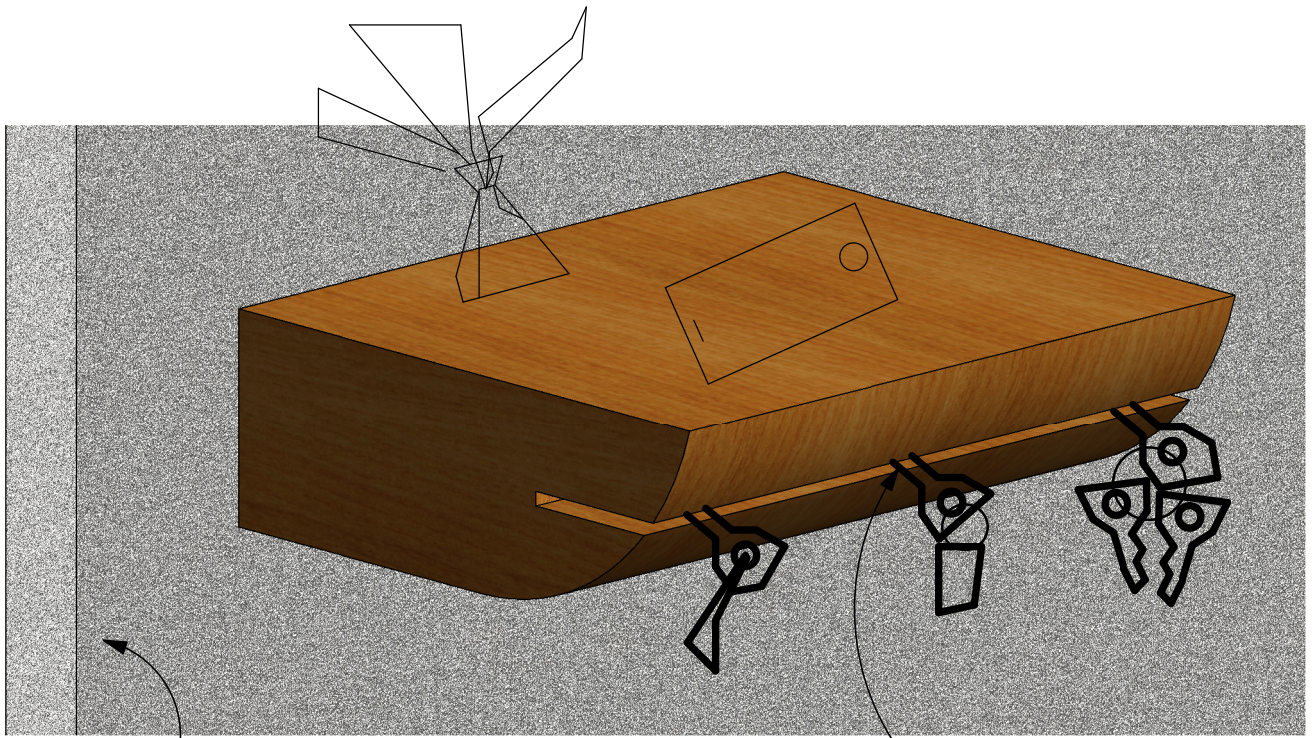
Regular wood will be enough



SIDE



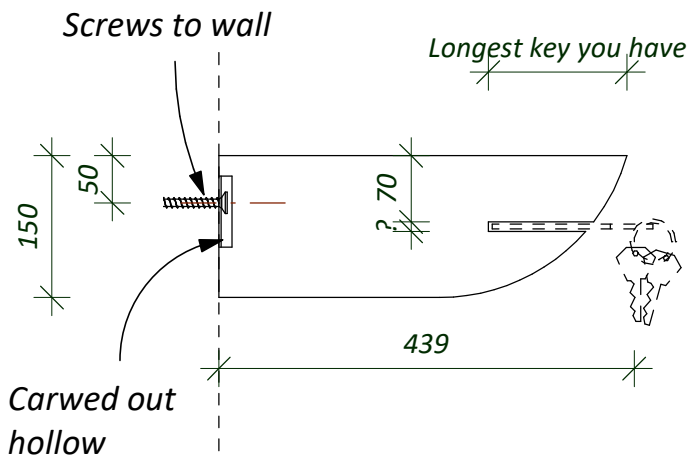
WALL SHELF "LUMBERTO"



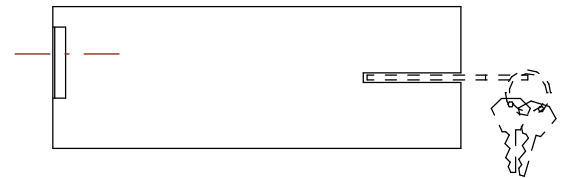
I am wall, find me

A lot of keys here

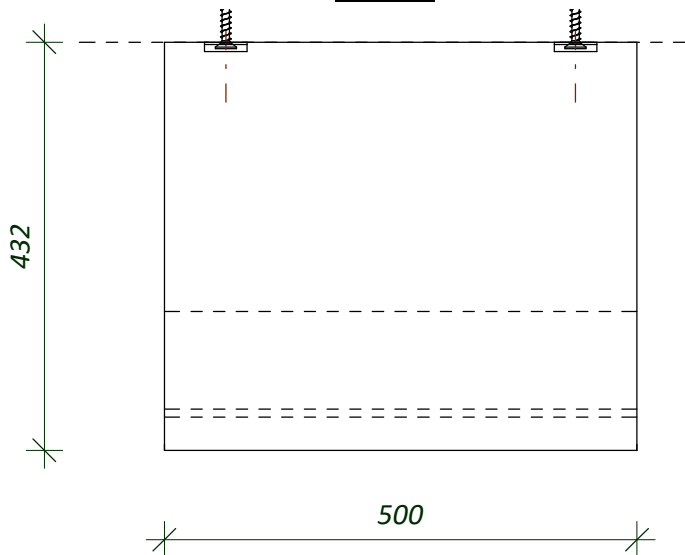
SIDE



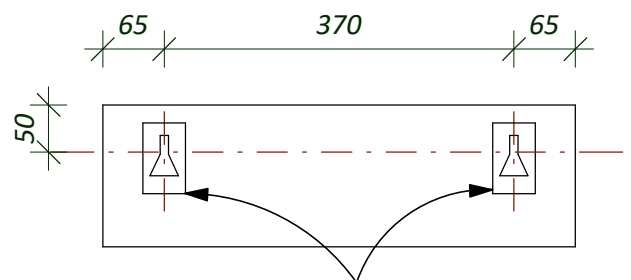
Also possible version



TOP



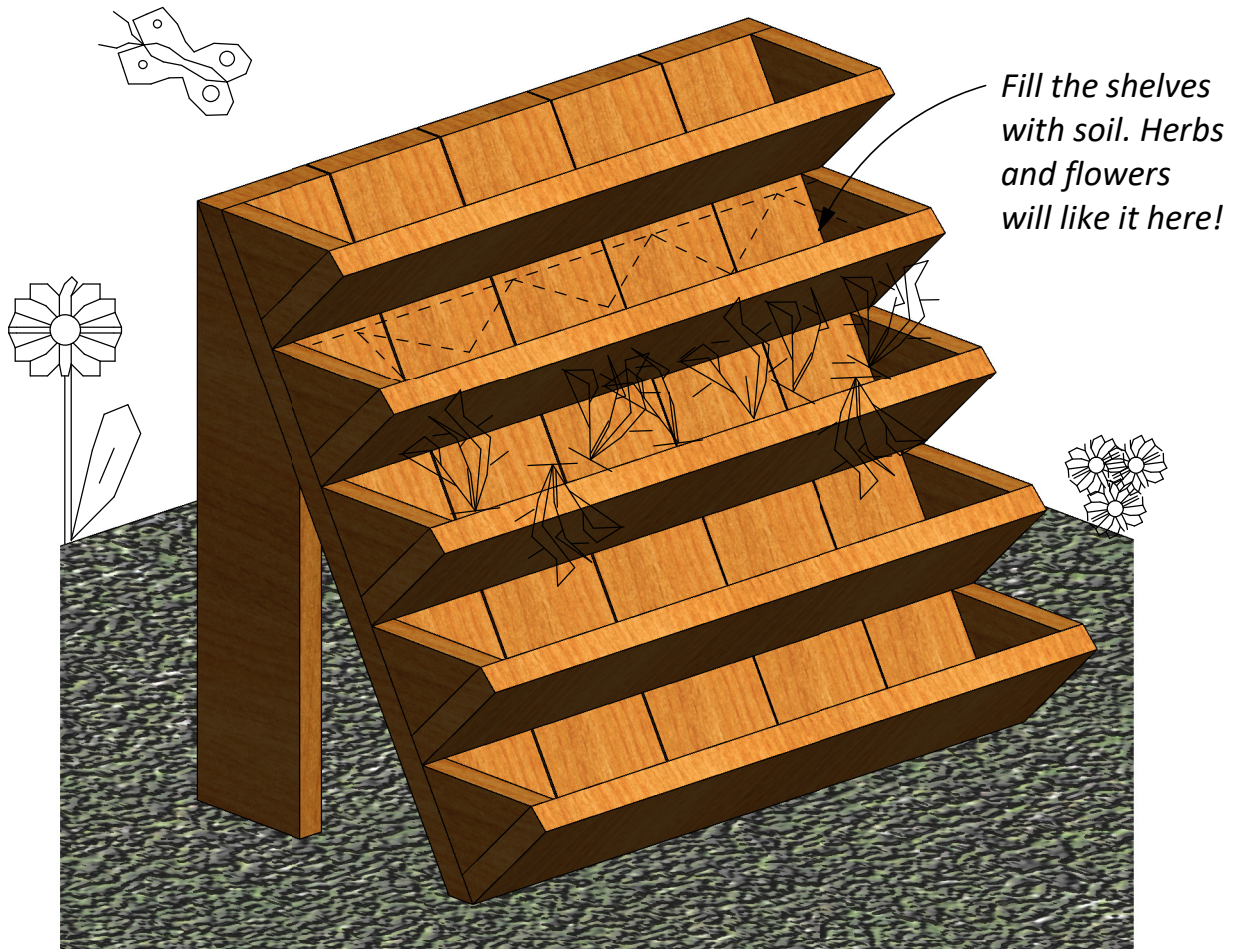
FASTENING FROM BACK



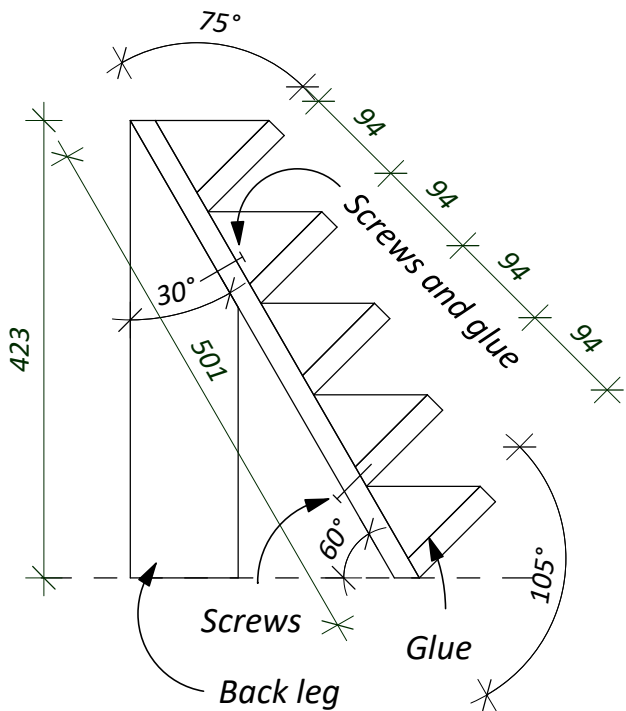
Metal wall fastener pieces

Regular wood will be enough

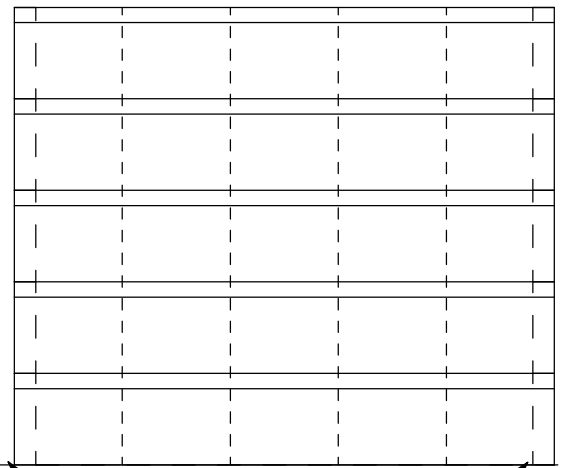
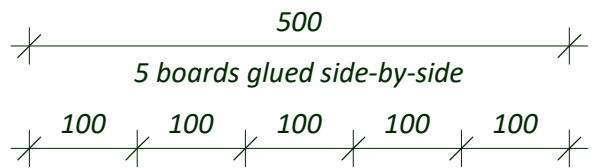
PLANT RACK "PLANTY"



SIDE



FRONT



2 back legs Glue

Regular wood will be enough



WELL DONE!

Feel free to contact our customer support with any questions at WeCare@SafeAt.eu.

We hope that you enjoyed the ebook. Also follow us on our website and on social media! Share your experience and DIFY projects with [#safeatsafety](https://twitter.com/safeatsafety)
