

Serial Number Locations

- Carbon Top Link
- Carbon Front Triangle
- Carbon Rear Triangle

Serial Number on Carbon Top Link

Top Link Part Number:

- 130760

Used on:

- Primer SL
- Spider275C SL



Serial Number on Carbon Top Link

Top Link Part Number:

- 130809

Used on:

- Tracer SL



Serial Number on Carbon Top Link

Top Link Part Number:

- 130822

Used on:

- Carbine SL



Serial Number on Carbon Top Link

Top Link Part Number:

- 130767

Used on:

- M16C SL

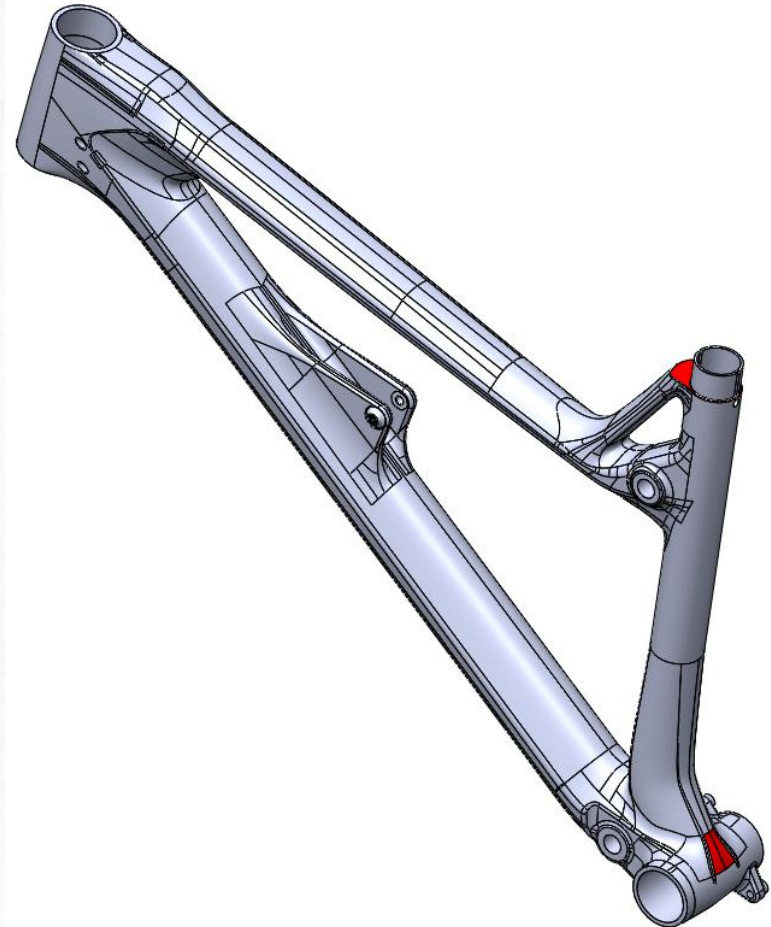


Serial Number on Front Triangle

- Tracer Front Triangle
- Date Codes

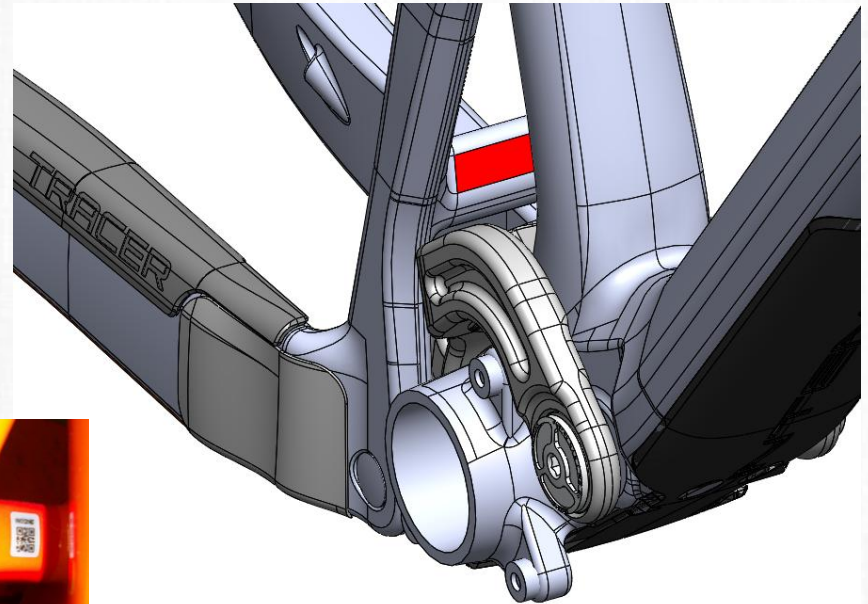
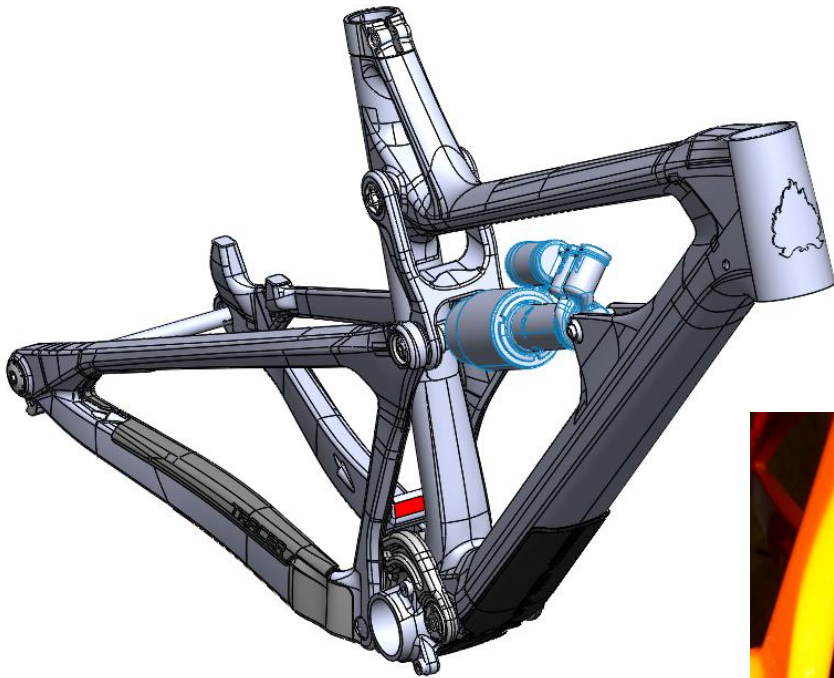
Tracer Front Triangle QR Location change:

- Frame Manufacturer will start to deliver Tracer SL with Old/New location of QR code on April 10, 2017.
- For a period of time, while the change is in the beginning the QR Code will be at both positions on front triangle.
- OLD = on BB Shell. NEW = under seat clamp near seat tube.



Serial Number on Rear Triangle

- Tracer Rear Triangle

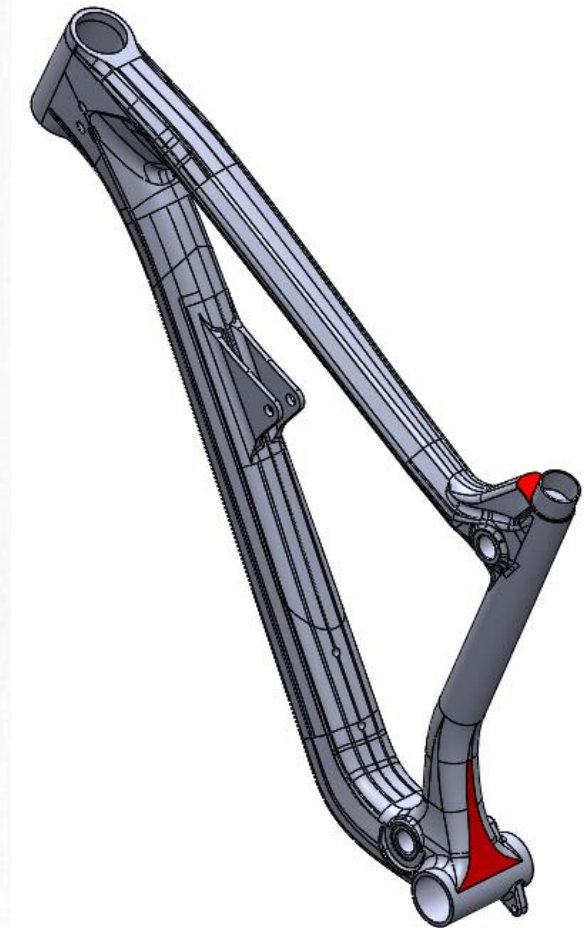


Serial Number on Front Triangle

- Carbine Front Triangle
- Date Codes

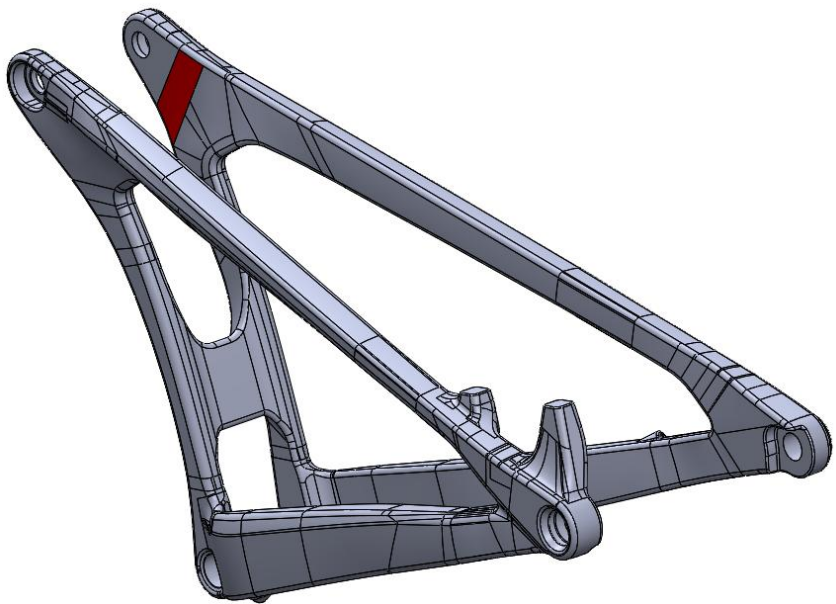
Carbine Front Triangle QR Location change:

- Frame Manufacturer will start to apply QR code on Carbine seat tube starting in January 2018.
- For a period of time, while the change is in the beginning the QR Code will be at both positions on front triangle.
- OLD = on BB Shell. NEW = under seat clamp near seat tube.



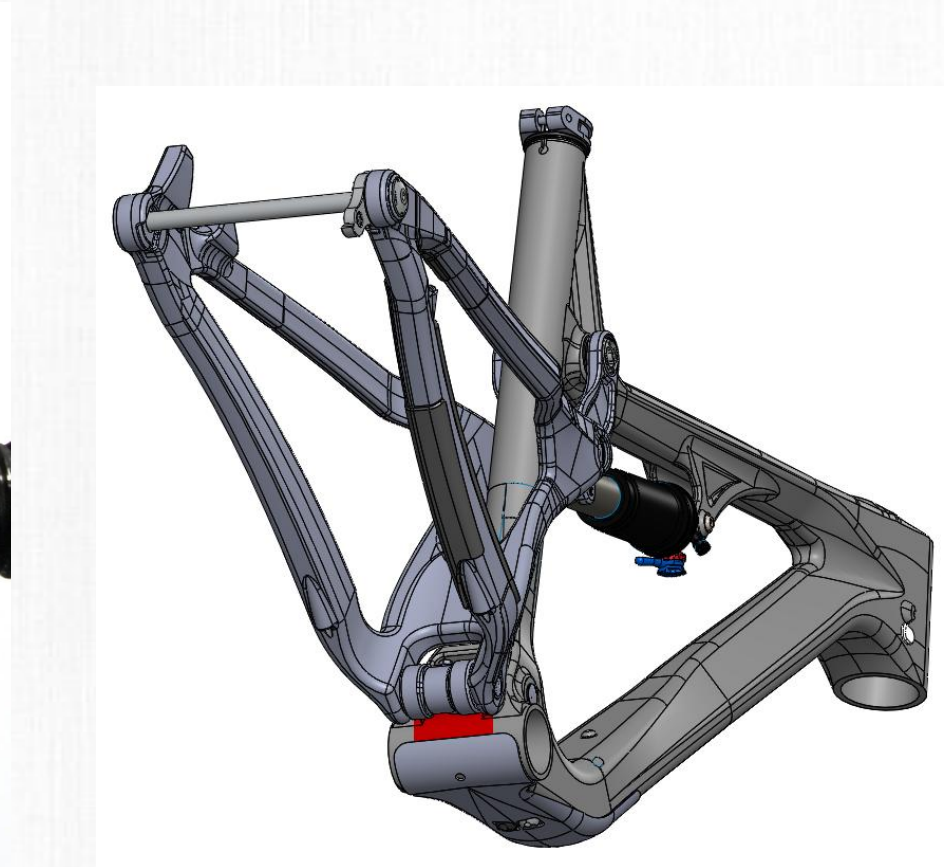
Serial Number on Rear Triangle

- Carbine Rear Triangle



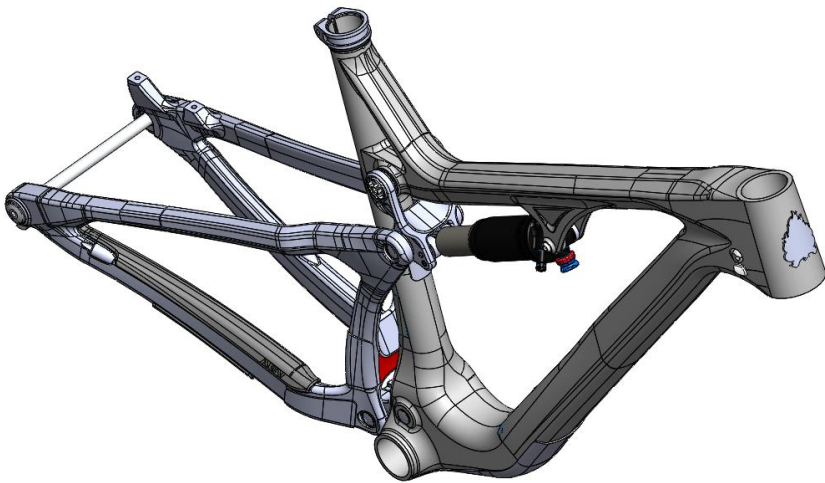
Serial Number on Front Triangle

- ACV, Primer, Recluse, Spider 275C Front Triangle



Serial Number on Rear Triangle

- ACV Rear Triangle



Serial Number on Rear Triangle

- Primer, Recluse, Spider 275C Rear Triangle



Serial Number on Front Triangle

- M16C Front Triangle



Serial Number on Rear Triangle

- M16C Rear Triangle

