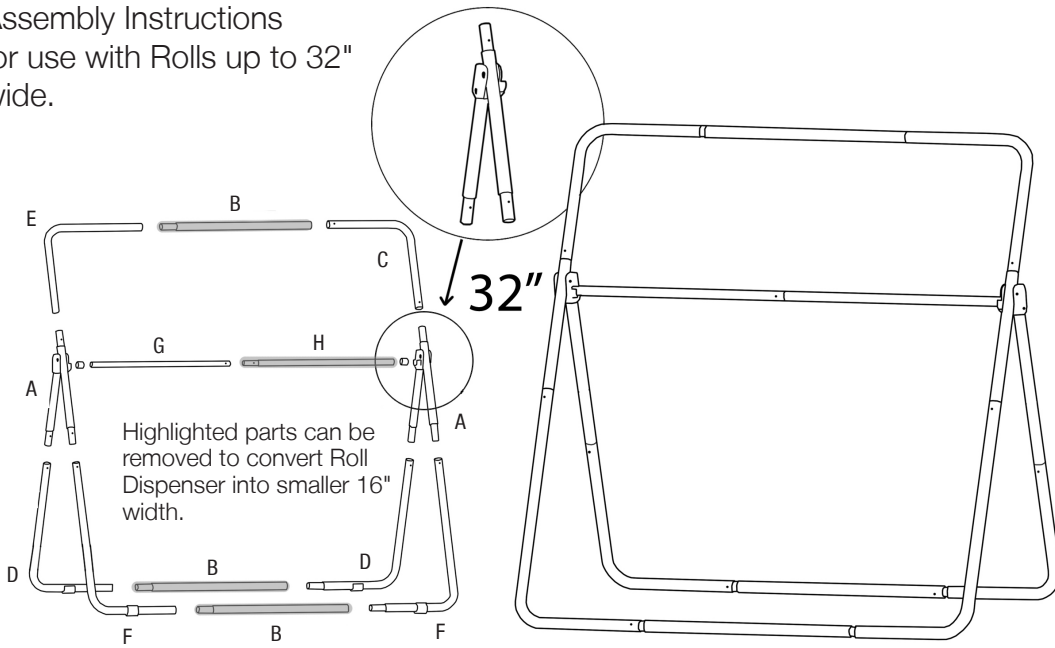
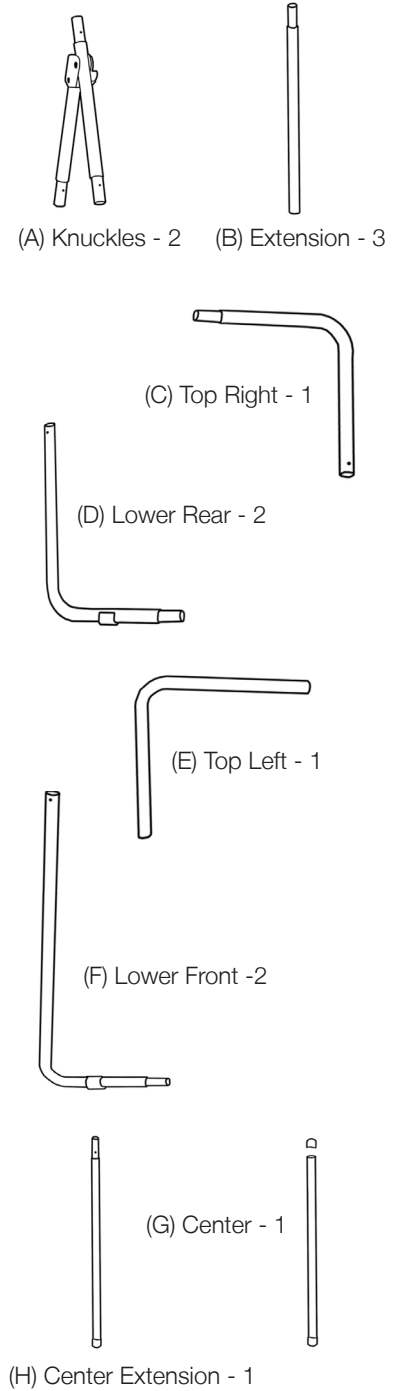


Adjustable Roll Dispenser for Mats

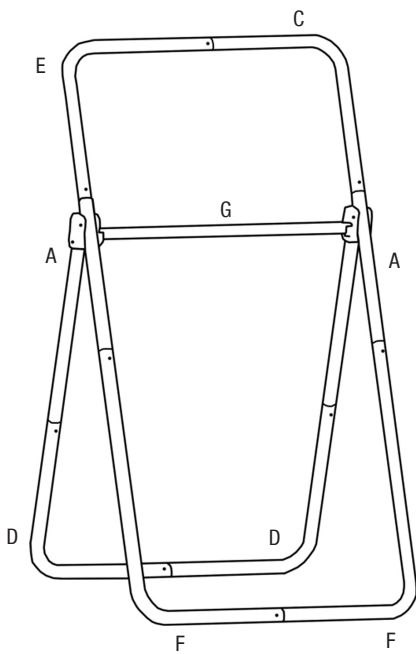
Assembly Instructions
for use with Rolls up to 32"
wide.



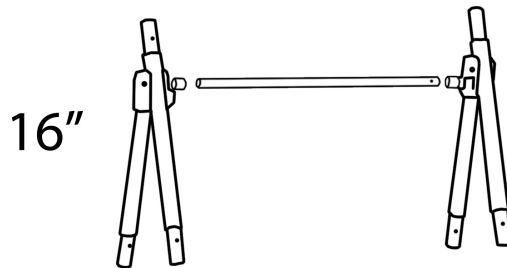
PARTS LIST



Assembly Instructions for use with Rolls
up to 16" wide.



Plastic end cap is required
on both ends of center
support for 16" Dispenser.



(H) Center Extension - 1