

# COATS®

## Model V200

### Vero Series™ Wheel Balancer



## *Parts Identification*

READ these instructions before placing unit in service. KEEP these and other materials delivered with the unit in a binder near the machine for ease of reference by supervisors and operators.

**HENNESSY INDUSTRIES, INC.**

1601 J. P. Hennessy Drive, LaVergne, TN USA 37086 615/641-7533 800/688/6359 www.ammcoats.com  
HENNESSY INDUSTRIES INC. Manufacturer of AMMCO®, COATS® and BADA® Automotive Service Equipment and Tools.

Manual Part No.: 85608887 03  
Revision: 2/15

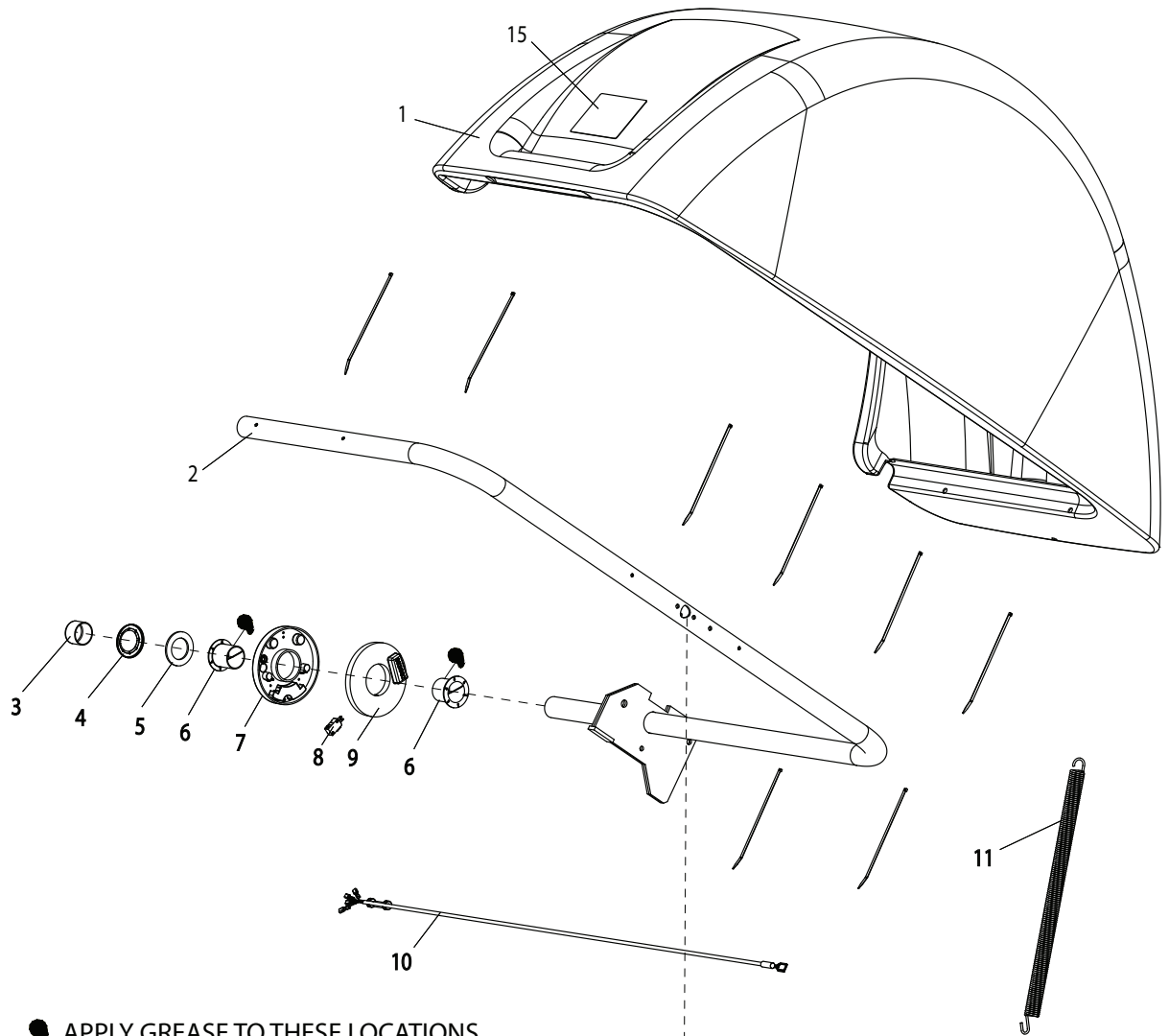
## **Parts Identification**

The following pages include parts breakdowns with exploded view illustrations to help with ordering replacement or spare kits. Assemblies are noted where it is recommended that individual parts not be ordered separately. Note that the parts view illustrations are for multiple models and not all parts shown are on all models. Every effort is made to supply accurate exploded views, however, due to interim changes in manufacturing operations, some units may not be exactly as illustrated.

### **Table of Contents**

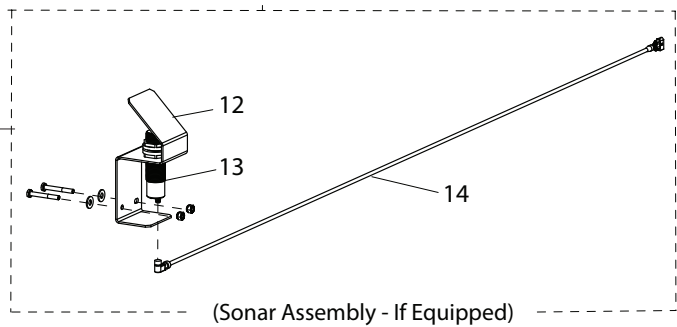
<b>Wheel Guard Assembly.....</b>	<b>3</b>
<b>Chassis Assembly .....</b>	<b>4</b>
<b>Distance Gauge Assembly .....</b>	<b>5</b>
<b>Motor Assembly .....</b>	<b>6 - 7</b>
<b>Monitor, Touchscreen, and Computer Assembly.....</b>	<b>8 - 9</b>
<b>Power Panel &amp; MCB .....</b>	<b>10 - 11</b>

# Wheel Guard Assembly

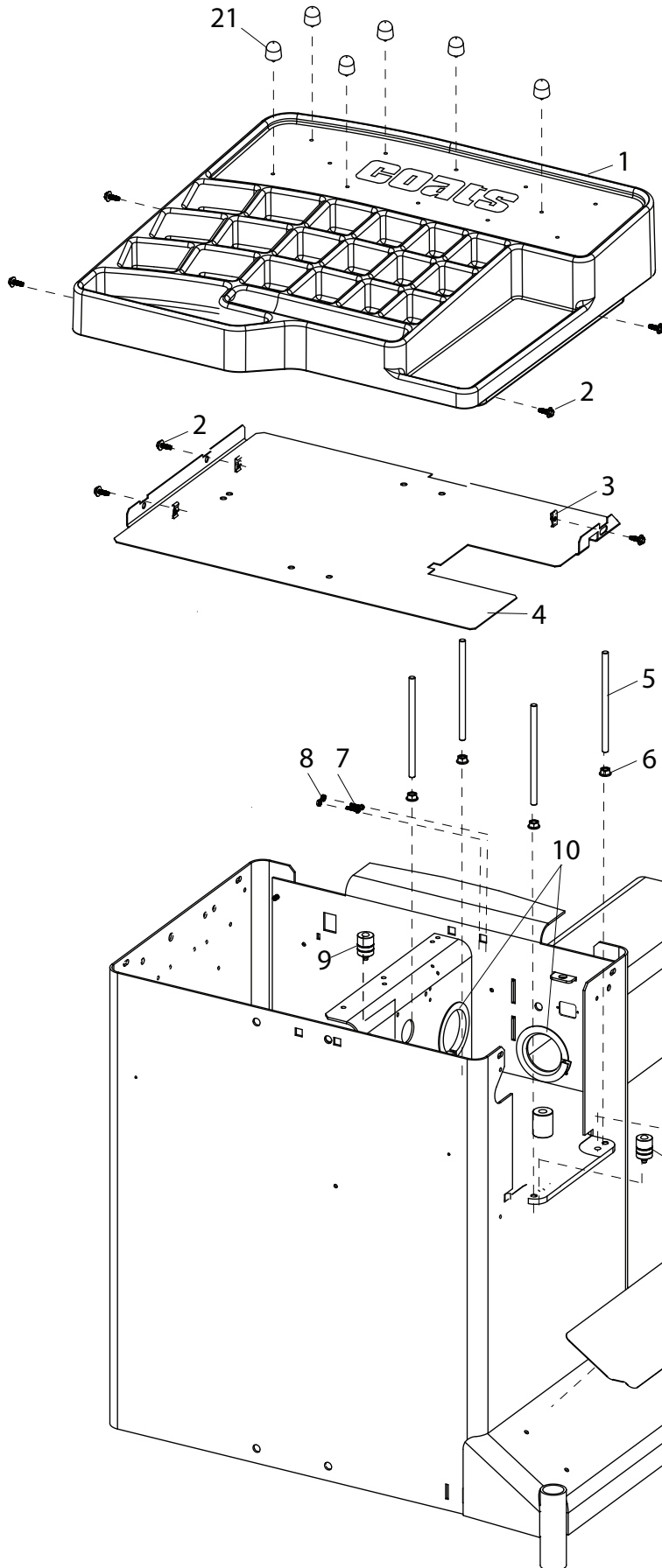


 APPLY GREASE TO THESE LOCATIONS

Item	Part No.	Description
1	85608204	Wheel Guard
2	8114319	Hood Bar W/C
3	8109949	Hood Bar Cap
4	8109945	1-1/2" Retainer Washer
5	8109944	Hood Bar Washer
6	8307014	Flanged Nylon Bearing
7	8113333	Hood Switch Housing
8	8113334	Limit Switch
9	8113332	Hood Switch Cam/Cover
10	8114262	Hood Switch Cable Assembly
11	8308062	Hood Spring
12	85000303	Sonar Bracket
13	85000304	Sonar Module
14	85609473	Sonar Cable Assembly
15	85609977	Warning Decal
*		Cable Tie, 10-inch Black



# Chassis Assembly

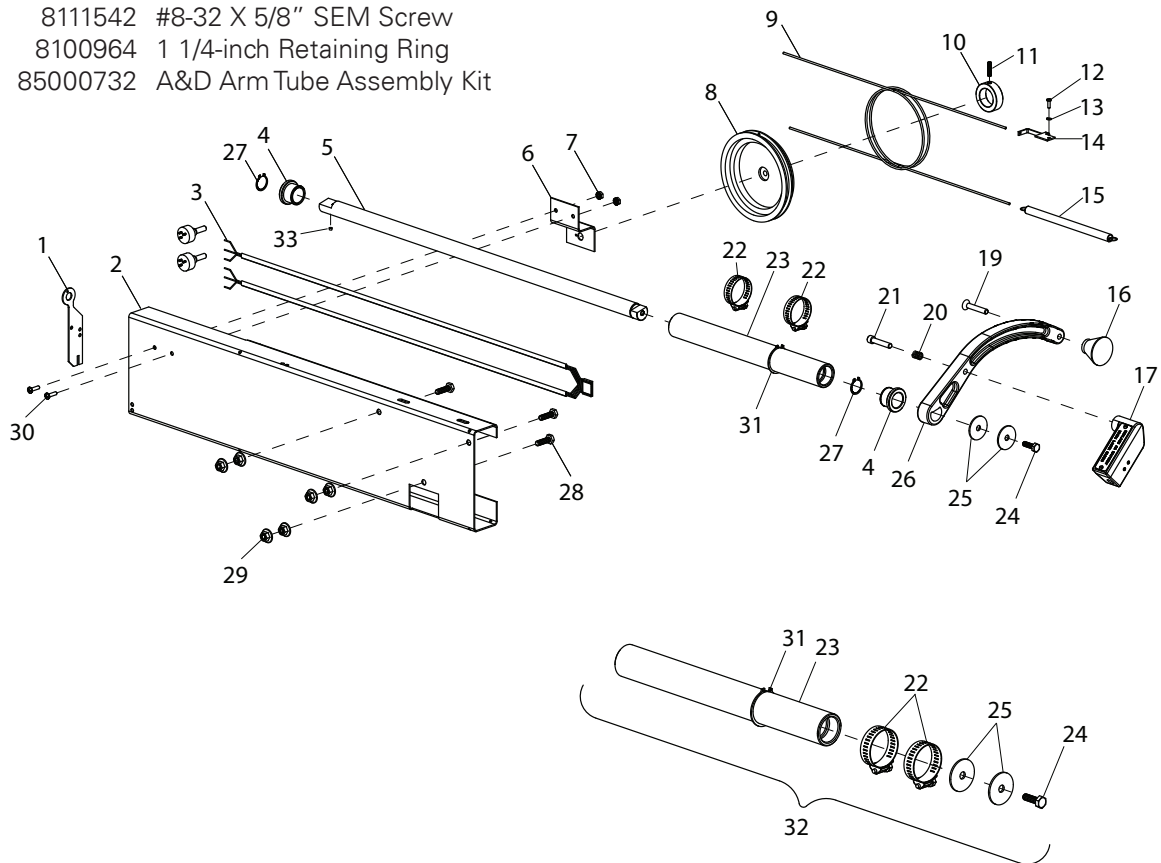


Item	Part No.	Description
1	85608203	Weight Tray
2	8106301	1/4" Hex Self-Tap Screw
3	8106304	1/4-20 Tinnerman Nut
4	8111064	Weight Tray Shield
5	8108727	Threaded Rod
6	8106303	3/8-16 Hex Jam Nut
7	8110560	#8-32 x 3/4 Screw (Ground)
8	8301084	#8-32 Kep Nut (Ground)
9	8114266	Piezo Assembly
10	85606581	Flex Grommet
11	8111029	Rear Harness Cover
12	8111542	8-32 x 5/8 Lg. PHP SEM Screw
13	8113333	Hood Switch Housing
14	8113334	Limit Switch
15	8113332	Hood Switch Cam/Cover
16	8301120	1/2-13 x 2-1/2 HH Bolt
17	8301121	1/2 Flat Washer
18	8309008	Rubber Hood Stop
19	8301122	1/2-13 Hex Nut
20	85609179	Anti-skid Pad
21	85608850	Weight Tray Stud

\*Not shown

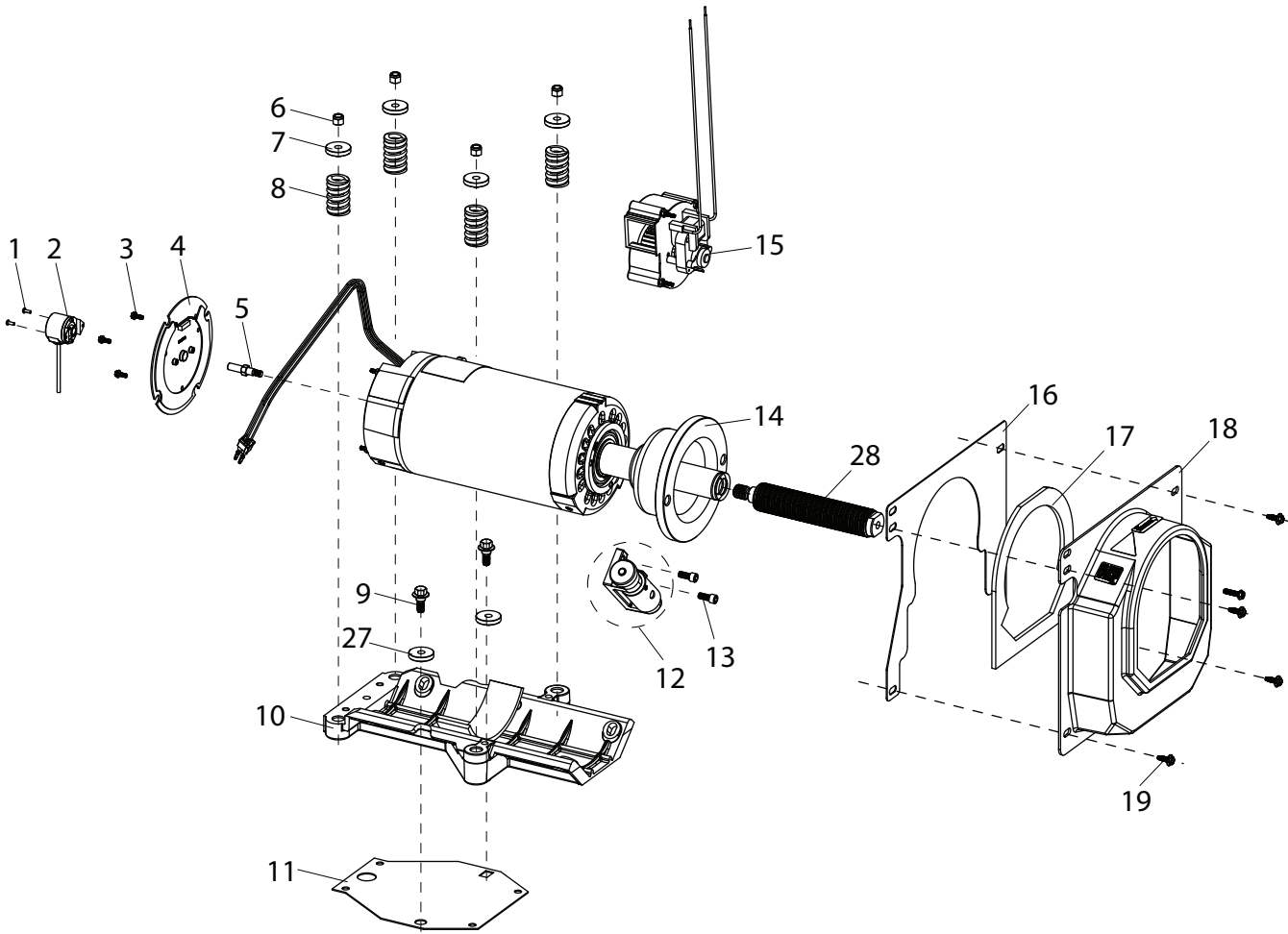
# Distance Gauge Assembly

Item	Part No.	Description
1	8114254	A & D Pendulum
2	8114251	A & D Bracket
3	8114257	A & D Pots with Harness Assy
4	85000730	Distance Rod Bushing
5	80180018	A & D Rod
6	8114258	A & D Pot Bracket
7	8301084	#8-32 Kep Nut
8	8114327	Distance Pot Pulley
9	80180022	String
10	8114403	Pulley Collar
11	8114404	10-24 x 3/4 SHSS Screw
12	80180020	Spring Bracket, 3MM Screw
13	80180021	Washer 3MM
14	80180019	String Bracket
15	80180023	Spring
16	8114253	Cone
17	85009229	Line Laser
19	8111173	1/4-20 x 1-1/2 FHS Screw
20	8114380	Compression Spring
21	8114379	SHC 1/4-20 x 1-1/4 lg.Screw
22	8114264	Hose Clamp
23	8114255	A & D Tube
24	85000731	Hex HD Cap Screw
25	8111032	1/4 Fender Washer
26	8114373	Arm
27	903174	Retaining Ring
28	8301534	1/4-20 x 7/8 HHC Screw
29	8143169	1/4-20 Whiz Lock Hex Nut
30	8111542	#8-32 X 5/8" SEM Screw
31	8100964	1 1/4-inch Retaining Ring
32	85000732	A&D Arm Tube Assembly Kit

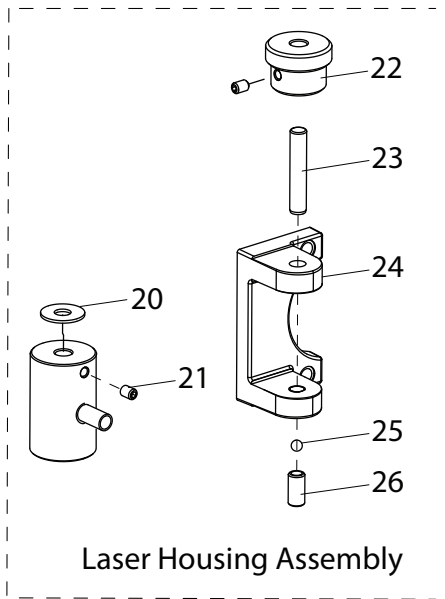


A & D Tube Assembly Kit

# Motor Assembly



Motor Assembly - 40 mm



Laser Housing Assembly

12

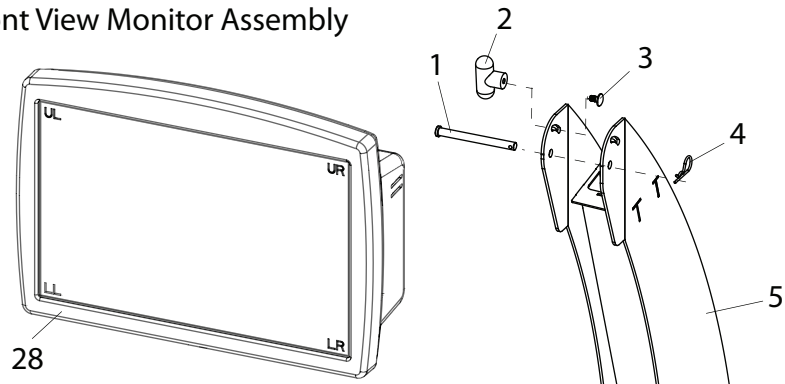
**(Motor Assembly)**

<b>Item</b>	<b>Part No.</b>	<b>Description</b>
1	8301067	#6-32 x 0.38 PPHMS Screw
2	85009972	Motor Encoder - Baldor Inverter
	85610094	Motor Encoder - Emerson Inverter
3	8144110	#10-24 x 0.50 HWHS Screw
4	85009970	Rear End Bell Cover (40mm)
5	85009971	Encoder Drive Shaft
6	8301035	3/8-16 Nyloc Nut
7	8308036	Piezo Spring Retainer
8	8307008	Piezo Spring
9	85609427	3/8-16 x 1/2 SHSHS Screw
10	8110430	Motor Cradle
11	8112182	Flex Plate
12	8114326	Laser Housing Assembly
13	8182149	5/16 x 3/4 HHC Screw
14	85010010	Motor Replacement Kit (40mm)
15	8114265	Fan Assembly, 220 VAC
16	85609063	Motor Cover Shield
17	8308536	Motor Gasket
18	85608997	Motor Shroud Assembly
19	8106301	1/4" Hex Self-Tap Screw
20	8114242	Plastic Washer
21	902308	1/4" Set Screw
22	8114241	Knob
23	8114237	3/8 x 2 Dowel
24	8114239	Laser Bracket
25	8182025	1/4" Ball
26	8114243	Modified Screw
27	8301121	1/2" Flat Washer
28	85009204	40 mm Shaft Extension

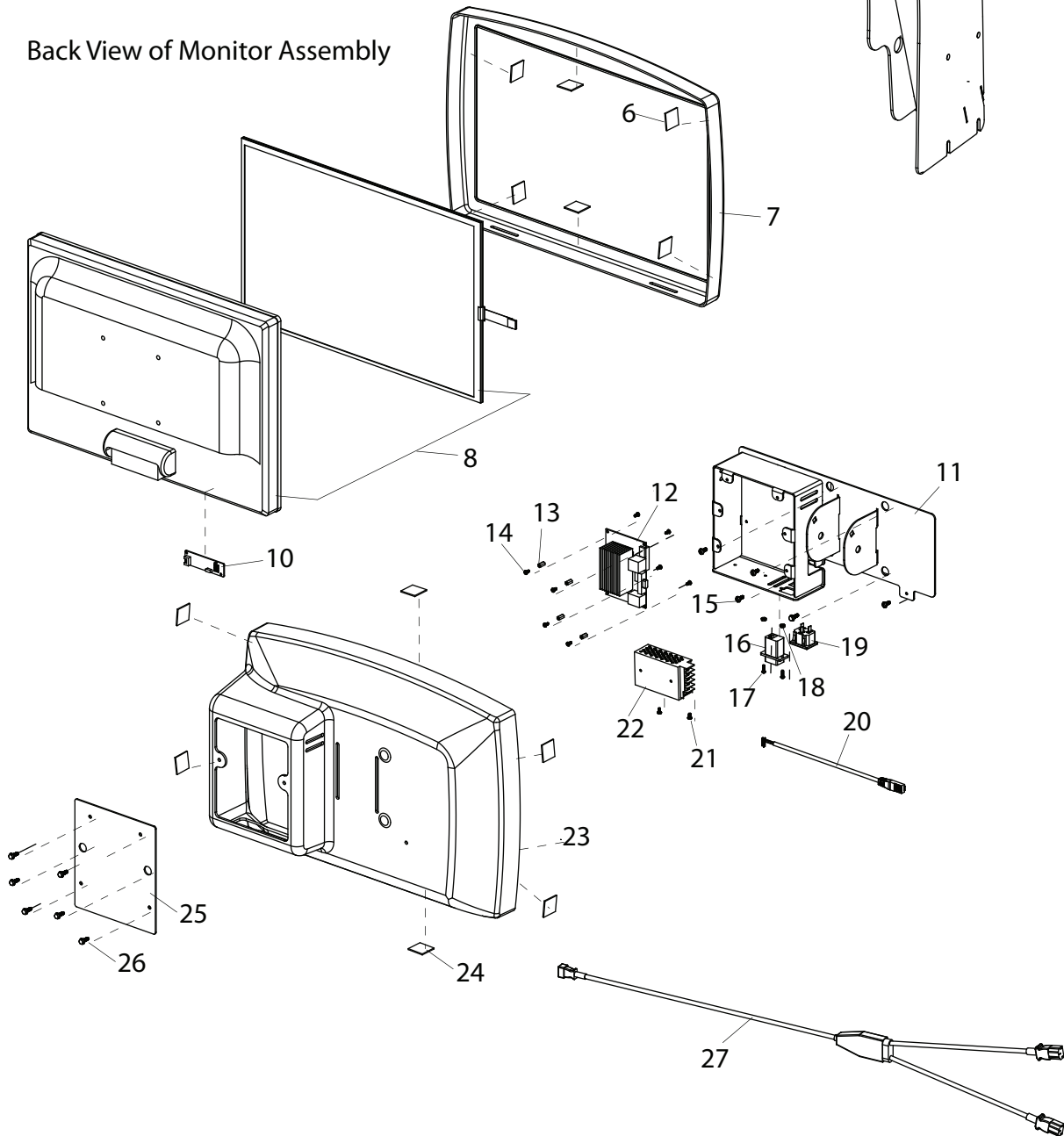
\* Not Shown

# Monitor, Touchscreen, and Computer Assembly

## Front View Monitor Assembly



## Back View of Monitor Assembly





**(Monitor, Touchscreen, and Computer Assemblies)**

<b>Item</b>	<b>Part No.</b>	<b>Description</b>
1	85609317	3/8" x 4" Clevis Pin
2	85608843	1/4-20 x 1/2 Bar Knob
3	85609318	1/4-20 x 1/2" Carriage Bolt
4	85607958	3/8" Shaft Hairpin Cotter
5	85610013	Monitor Stand Assembly
6	8110955	†Velcro® brand Patch Hook Type
7	85608836	19" Front Monitor Bezel
8	85609595	Monitor with Touchscreen Assembly
10	85608853	Touchscreen Controller
11	85609192	Monitor Bracket
12	85609107	Computer Assembly - Baldor
	85610088	Computer Assembly - Emerson
14	85609208	#4-40 x 1/4 Phillips Pan Screw
15	85609272	M4-0.7 x 10mm Slotted Pan Screw
16	85609210	RJ45 Coupler
17	8112651	#4-40 x 3/8" PPHMS Screw
18	85609278	#4-40 Hex Nut
19	85609209	AC Receptacle
20	85609096	RS422 Cable
21	85609211	M3-0.5 x 6mm Phillips Pan Screw
22	85609280	LS25 Power Supply
23	85608837	19" Rear Monitor Bezel
24	8110956	†Velcro® brand Patch Loop Type
25	85609223	Access Cover
26	85609271	8-32 x 1/2 Trilobular Hex Screw
27	85609409	Y-cord Power Cord, 250V
28	85609193	Computer w/Monitor Assembly - Baldor
	85610087	Computer w/Monitor Assembly - Emerson

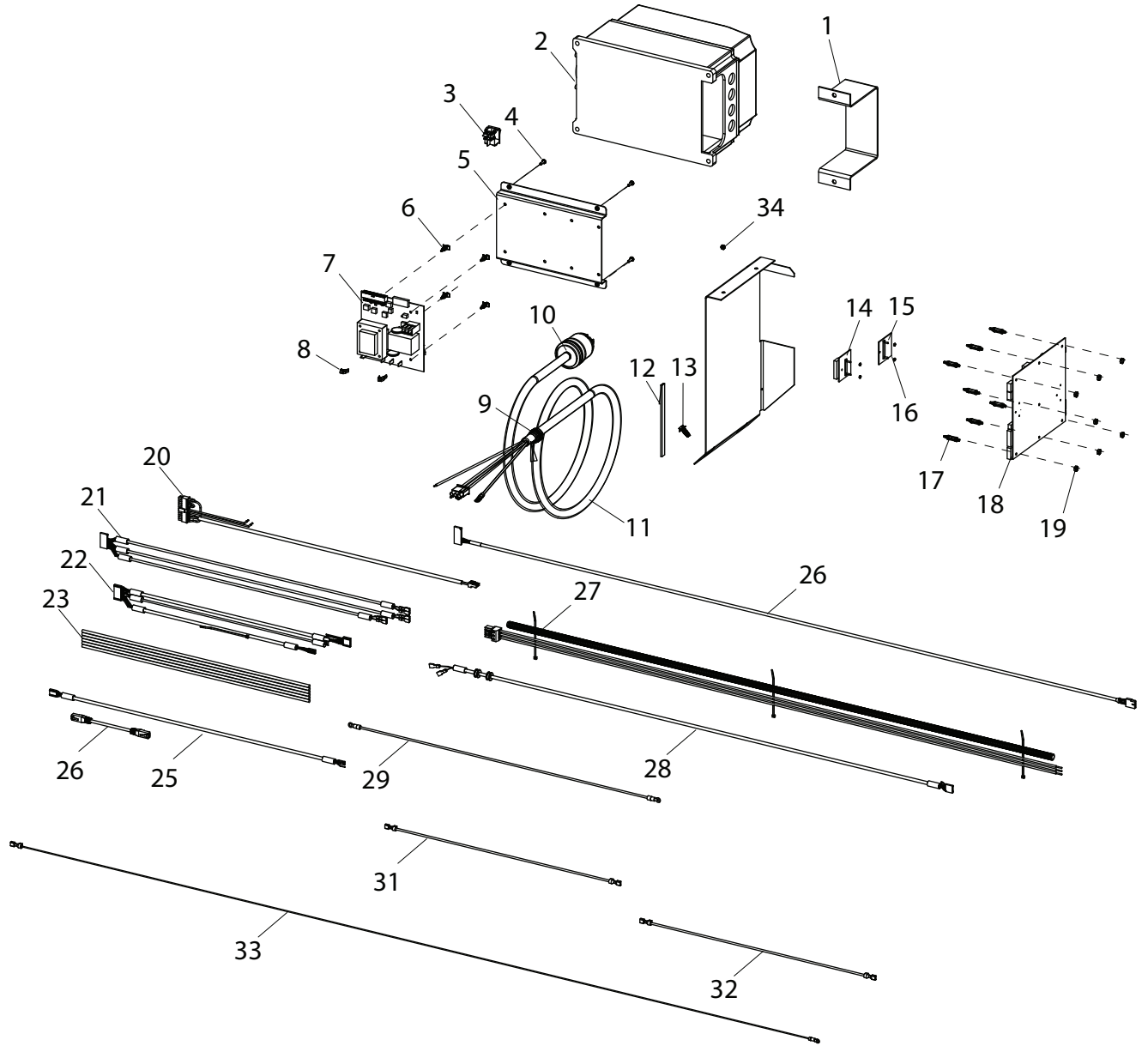
† VELCRO® is a registered trademark of Velcro Industries B. V.

## Power Panel & MCB - Baldor

Item	Part No.	Description
1	85009999	Wire Harness Cover
2	85009973	Inverter - Baldor
3	85609122	ON/OFF Switch
4	8301082	#8-32 x 1/2 PHM Screw
5	85609308	Power Panel
6	85000361	Stand-off, Snaplock
7	85606375	Motor Control PCB
8	8305015	Double Side Adapter
9	806058	Strain Relief
10	8305076	1 Ph Plug, L6-20P
11	8113101	Power Cord Assembly, 1 Ph
12	85606582	Trim Strip
13	8106301	1/4" Hex Self-Tap Screw
14	85009994	Sonar Interface PCB
15	85009993	Inverter Interface PCB
16	85010030	#2-56 Hex Nut
17	8113996	Circuit Board Standoff
18	85609405	Processor PCB - Baldor
19	8301804	#10-32 Hex Nut
20	85608188	Fan Harness Assembly, 220V
21	8114260	Piezo Harness Assembly
22	8114259	MCB Cable Assembly
23	85010014	Interface, Inverter, Encoder Cable
24	85010025	Interface, Encoder Cable
25	8114211	Cat 5, 2 Meter Lg. Cable
26	85609472	Chassis Sonar Cable
27	85010022	Motor Harness Wire Assembly
28	85009988	Hood Switch Cable Assembly
29	85010024	Ground Wire Assembly, 26"
31	85609352	Power Harness Assembly, 20"
32	8110977	Black 14 AWG Wire Assembly
33	8114212	Drain Wire Assembly
34	8111055	Lock Nut with Nylon Collar

\*Not Shown

# Inverter Drive Model - Baldor



## Power Panel & MCB - Emerson

Item	Part No.	Description
1	85610069	Inverter Cover w/Decal
2	85609942	Inverter - Emerson
3	85609122	ON/OFF Switch
4	8301082	#8-32 x 1/2 PHM Screw
5	85609308	Power Panel
6	85000361	Stand-off, Snaplock
7	85606375	Motor Control PCB
8	8305015	Double Side Adapter
9	806058	Strain Relief
10	8305076	1 Ph Plug, L6-20P
11	8113101	Power Cord Assembly, 1 Ph
12	85606582	Trim Strip
13	8106301	1/4" Hex Self-Tap Screw
14	85009994	Sonar Interface PCB
15	85009993	Inverter Interface PCB
16	85010030	#2-56 Hex Nut
17	8113996	Circuit Board Standoff
18	85609933	Processor PCB - Emerson
19	8301804	#10-32 Hex Nut
20	85608188	Fan Harness Assembly, 220V
21	8114260	Piezo Harness Assembly
22	8114259	MCB Cable Assembly
23	85609961	Interface, Inverter, Encoder Cable
25	8114211	Cat 5, 2 Meter Lg. Cable
26	85609472	Chassis Sonar Cable
27	85010022	Motor Harness Wire Assembly
28	85009988	Hood Switch Cable Assembly
29	85010024	Ground Wire Assembly, 26"
31	85609352	White 14 AWG Wire Assembly, 16"
32	8110977	Black 14 AWG Wire Assembly, 24"
33	8114212	Drain Wire Assembly
34	8111055	Lock Nut with Nylon Collar
35	85610059	Comm. Cable, Emerson Assy.
36	85609951	Optical Isolator Module
37	8113927	Safety Decal
38	8111542	8-32 x 5/8 Lg. PHP SEM Screw
39	85610063	Terminal Block Mounting Bracket
40	8106304	1/4-20 Tinnerman Nut
41	8301084	#8-32 Kep Nut (Ground)
42	85610065	Inverter U-bracket
43	8114010	Flat Washer
44	85610070	M4 0.7 x 30 HHCS Screw
45	85609997	Inverter Base Plate, Emerson

\*Not Shown

# Inverter Drive Model - Emerson

