

# COATS®

## 7050/7060/7065

## 7665 AX/EX

# Tire Changer

For servicing single piece automotive and most light truck tire/wheel assemblies



## *Parts Identification*

READ these instructions before placing unit in service KEEP these and other materials delivered with the unit in a binder near the machine for ease of reference by supervisors and operators.

**HENNESSY INDUSTRIES, INC.**

1601 J. P. Hennessy Drive, LaVergne, TN USA 37086-3565 615/641-7533 800/688-6359 www.amccoats.com  
HENNESSY INDUSTRIES INC. Manufacturer of AMMCO®, COATS® and BADA® Automotive Service Equipment and Tools.

Manual Part No.: 8183741 24  
Revision: 10/08

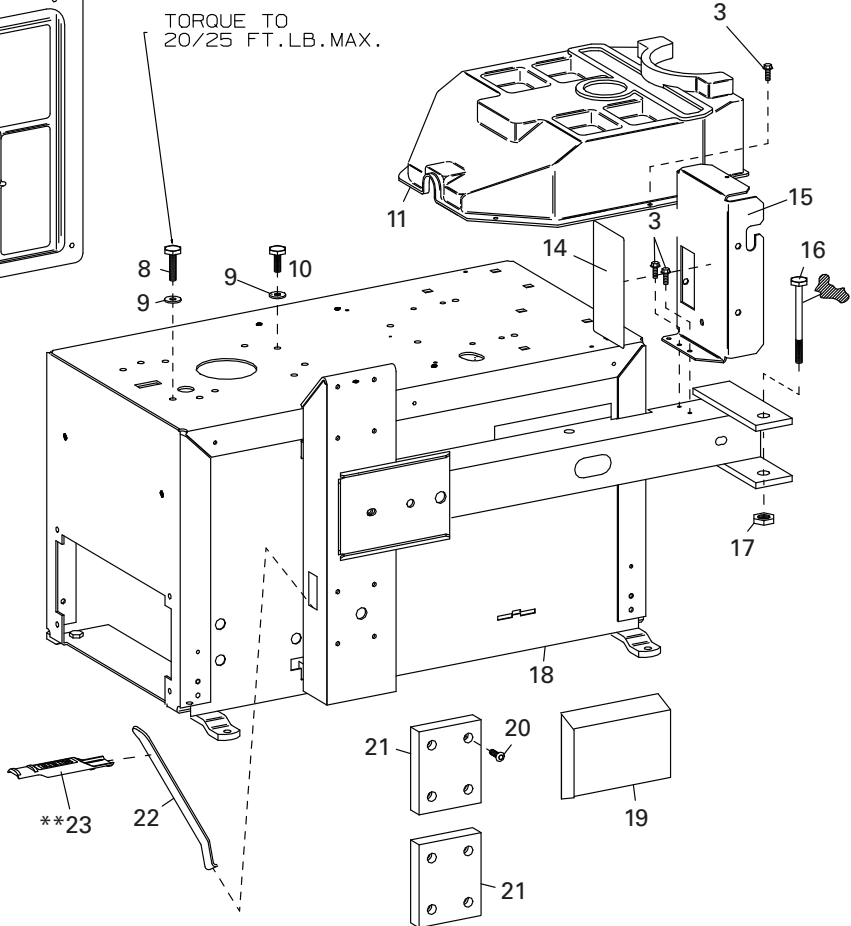
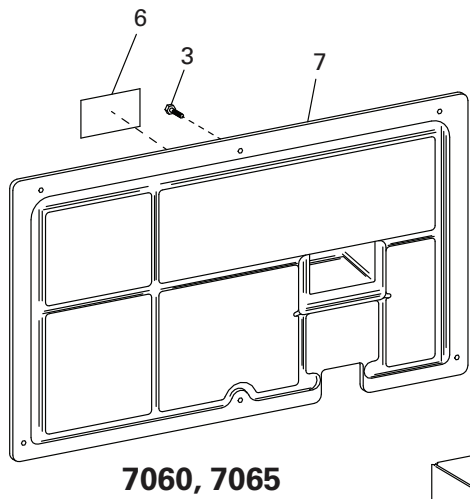
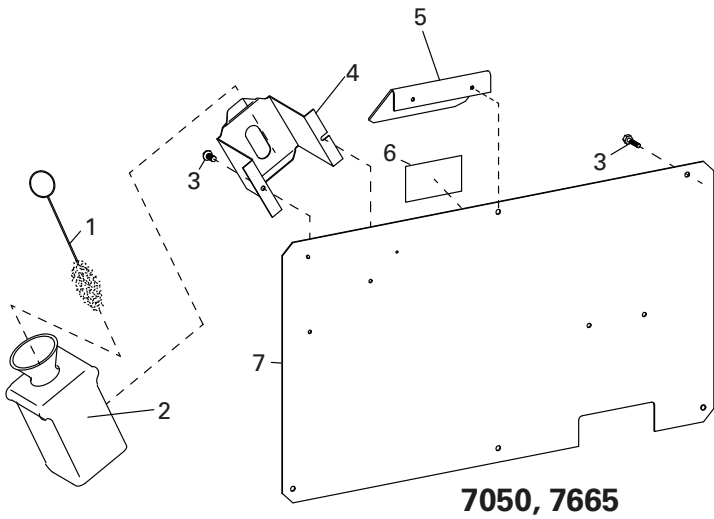
## **Parts Identification**

The following pages include parts breakdowns with exploded view illustrations to help with ordering replacement or spare kits. Assemblies are noted where it is recommended that individual parts not be ordered separately. Note that the parts view illustrations are for multiple models and not all parts shown are on all models. Every effort is made to supply accurate exploded views, however, due to interim changes in manufacturing operations, some units may not be exactly as illustrated.

## **Table of Contents**

<b>Chassis System</b> .....	<b>4 - 5</b>
<b>BL Arm Assembly</b> .....	<b>6 - 7</b>
<b>Table Top and Shaft Housing Assembly</b> .....	<b>8 - 9</b>
<b>Foot Pedal Assembly</b> .....	<b>10 - 11</b>
<b>Robo Arm Assembly</b> .....	<b>12</b>
<b>Swing Arm Assembly</b> .....	<b>13</b>
<b>Inflation Bracket and Tower Assembly</b> .....	<b>14 - 15</b>
<b>Pnuematic Diagrams</b> .....	<b>16 - 19</b>
<b>Inflation Guard Assembly - 7665</b> .....	<b>20</b>
<b>Oil Injector Diagram (If equipped)</b> .....	<b>21</b>
<b>Electric Schematic</b> .....	<b>22</b>

# Chassis System



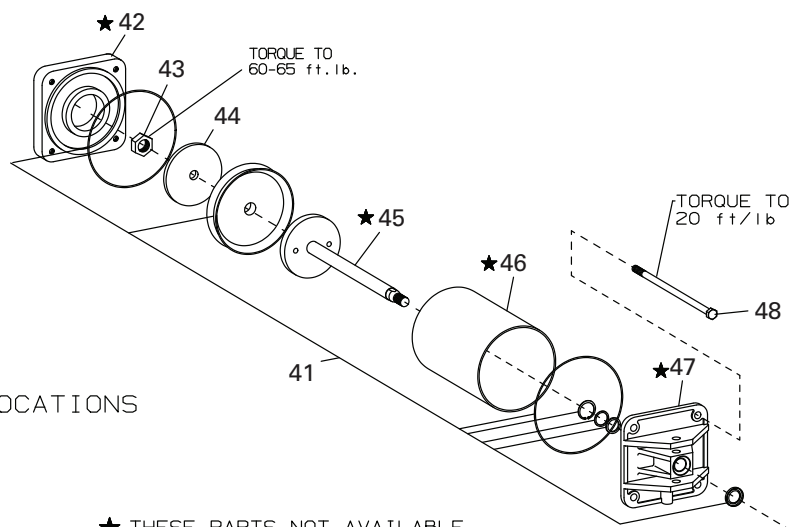
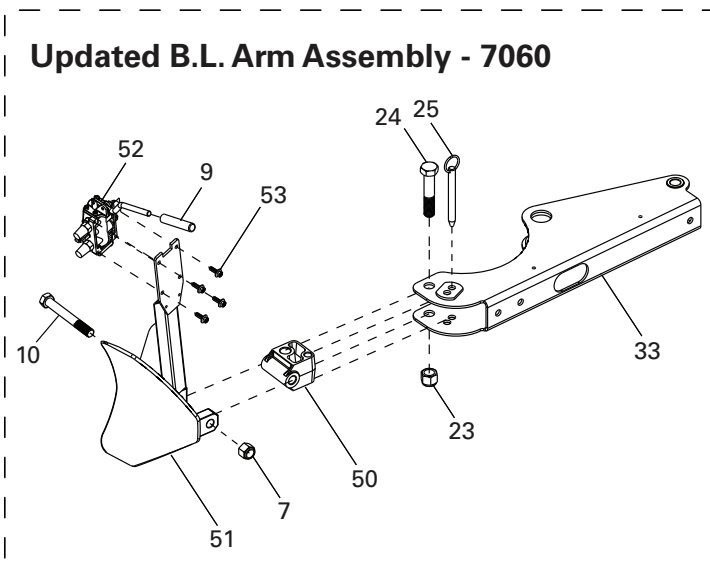
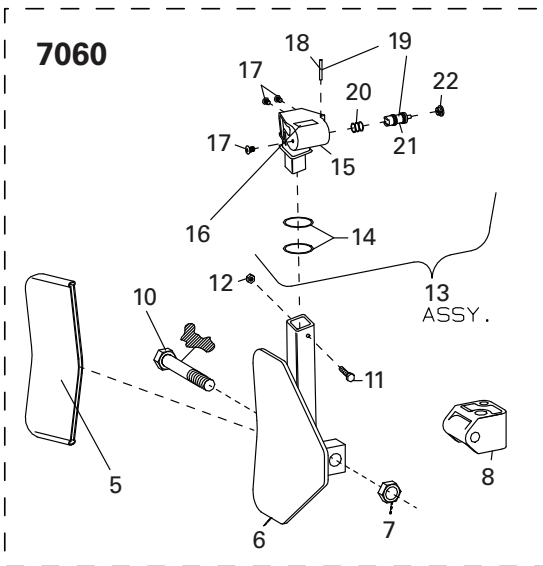
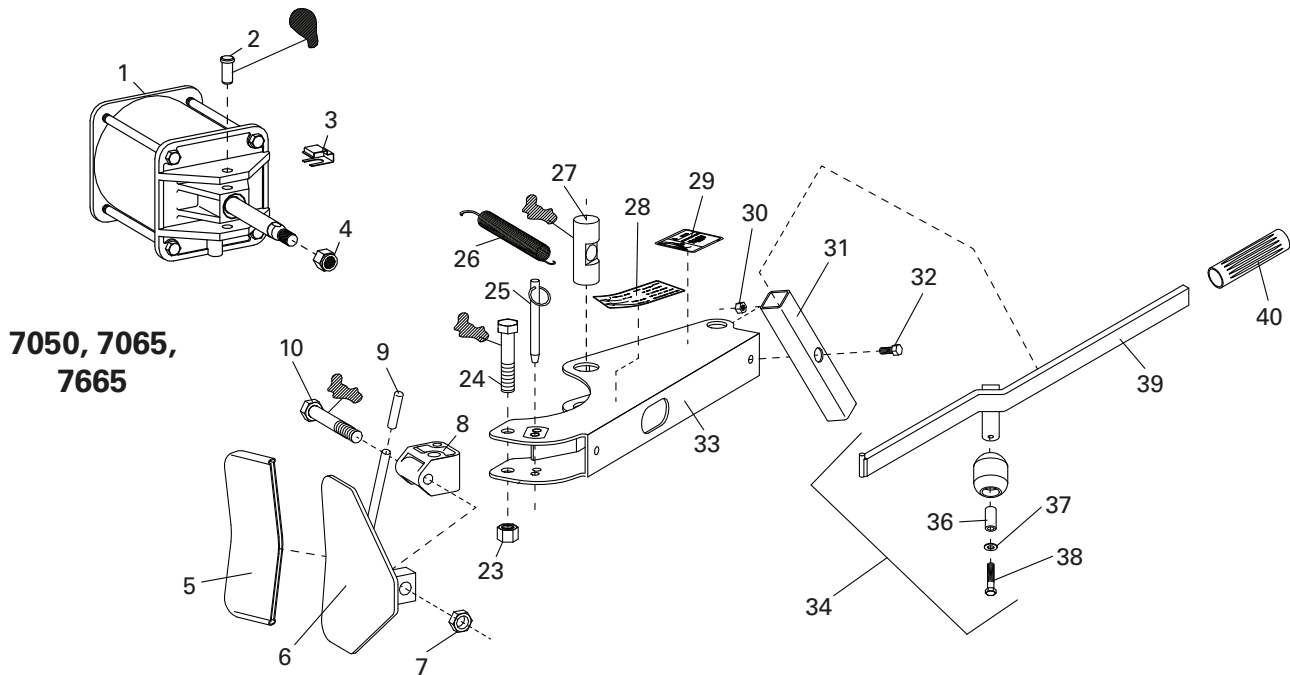
 APPLY GREASE TO THESE LOCATIONS

## (Chassis System)

ITEM	PART NO.	DESCRIPTION
1	8000491	Lube Applicator
2	8106259	Lube Bottle - Red
3	8106301	1/4" Hex Hd Self Tap Screw, Gr.5
4	8182809	Lube Bottle Brkt - Red (7050, 7065, 7665)
5	8182811	Cover-Infl. Pedal - Red (7050, 7065)
6	8181285	Inflation Pedal Decal (7050, 7060, 7065)
7	8182807	Side Panel - Metal (7050, 7065, 7665)
	8182477	Side Panel - Plastic (7060)
8	8182040	10MM x 55MM Hex Hd.Cap Scr, Gr.5
9	8301032	3/8 Flat Washer, Zinc Plate
10	8107715	3/8-16 x 1-1/4 Hex Hd. Cap Scr, Gr.8.8
11	8181964	Plastic Accessory Tray (7060)
14	8183778	Lubrication Notice Decal
15	8183770	Filter/Lube Bracket
16	8182579	3/4-10 x 5 Hex Hd. Cap Scr, Gr.5
17	8182016	3/4"-10 Gr.5 Nylon Insert Lock Nut
18	8182041	Chassis
19	8181855	B.L. Center Pad
20	8182088	5/16 x 1 Torx Screw, Gr.5
21	8181851	B.L. Pad, Front
22	8181354	Bead Lifting Tool
23	**85000783	Bootie Kit, Lift Tool, Pkg of 10

\*\*Indicates Accessory Item

# BL Arm Assembly



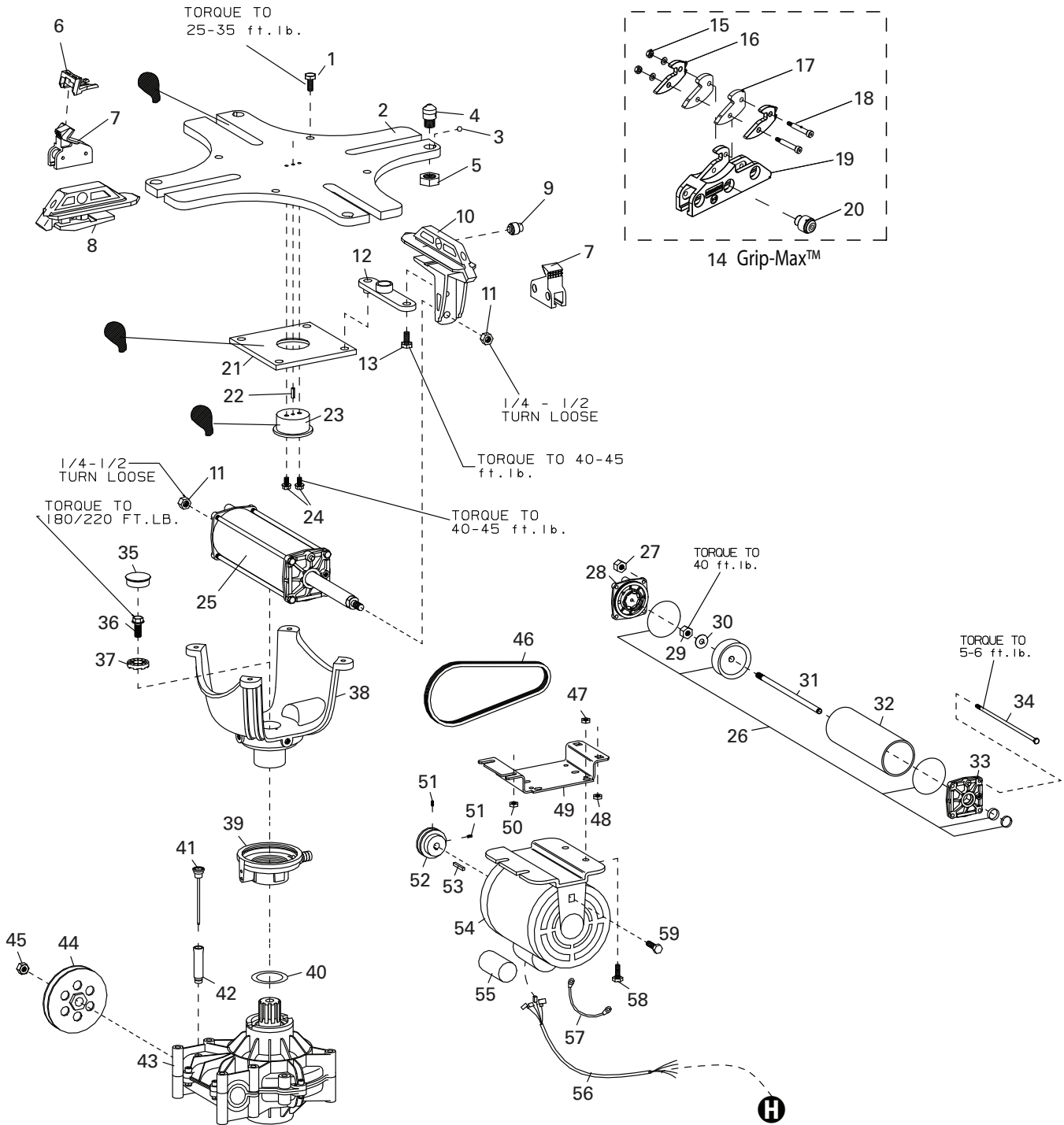
 APPLY GREASE TO THESE LOCATIONS

★ THESE PARTS NOT AVAILABLE FOR SERVICE.

**(BL Arm Assembly)**

<b>ITEM</b>	<b>PART NO.</b>	<b>DESCRIPTION</b>	<b>ITEM</b>	<b>PART NO.</b>	<b>DESCRIPTION</b>
1	81833124	B.L. Cylinder Assembly (7060)	29	8182768	Bead Loosener Caution Decal
	8183312	B.L. Cylinder Assembly	30	8106303	3/8" Whiz Lock Nut, Gr.5
2	8181949	Clevis Pin-5/8 x 1-3/8	31	8183666	Storage Tube
3	8181912	Clip, Clevis	32	8106302	3/8" Whiz Lock Screw, Gr.5
4	8182016	3/4"-10 Gr.5 Nylon Insert Lock Nut	33	8182002	B.L. Arm
5	8183606	Bootie Kit, Shoe, Pkg of 2	34	8184600	Drop Center Tool Assembly (7050, 7065, 7665)
6	8183529	B.L. Shoe, Handle & Pivot W/C (7050, 7065, 7665)	36	8184601	Spacer (7050, 7065, 7665)
7	8182043	5/8-11 Nylon Insert Lock Nut Gr.5	37	8112310	Flat Washer (7050, 7065, 7665)
9	7000230	Handle Grip	38	922956	3/8-16 x 2 Hex Hd Cap Screw (7050, 7065, 7665)
10	8182011	5/8-11 x 5" Hex Hd Cap Scr, Gr.5	39	8184598	Handle (7050, 7065, 7665)
11	8182013	#10-24 x 1-1/2" Gr.5 HHCS (7060)	40	8120332	Handle Grip (7050, 7065, 7665)
12	8181862	10-24 Nylon Insert Lock Nut Gr.5	41	8182079	Seal Kit, B.L. Cylinder
13	8182352	B.L. Handle/Valve Assembly (7060)	42	8183310	Bottom Cap, B.L. Cylinder
14	8182321	ø2 x 1/4" Roll Pin O-ring (7060)	43	8100957	3/4" NC Locknut Gr. 5
15	8182987	B.L. Handle Housing (7060)	44	8181860	Washer, Lower, B.L. Cylinder
16	8181971	Decal - B.L. Handle (7060)	45	8183519	Shaft/Washer Assembly
17	8182364	#10-32 x 1/4 Gr.5 BHSCS (7060)	46	8181574	Barrel, B.L. Cylinder
18	8182319	ø3/32 x 1-1/4" Roll Pin (7060)	47	8183309	Top Cap, B.L. Cylinder
19	8182725	Valve & Roll Pin Kit (7060)	48	8181862	Tie Bolt, 1/2-13 x 10-1/4" Lg., Gr.5
20	8182318	Handle Spring-B.L. (7060)	50	8181951	B.L. Shoe Pivot Bracket
21	8182317	3-Way Miniature Valve (7060)	51	85009199	Shoe, BL Weldment, w/handle
22	8182047	Manual Push Button (7060)	52	8185755	B.L. Arm Valve Assembly
23	8182016	3/4"-10 Gr.5 Nylon Insert Lock Nut	53	8143168	1/4-20 x 3/4" HHCS, Whiz Lock
24	8182009	3/4-10 x 3 3/4" HHCS			
25	8120326	Hitch Pin, ø1/2"			
26	8180230	B.L. Spring			
27	8182550	Pivot Pin, B.L. Cylinder Rod (7050, 7065, 7665)			
28	8181970	Bead Loosener Caution Decal			

# Table Top and Shaft Housing Assembly



 APPLY GREASE TO THESE LOCATIONS

20

26

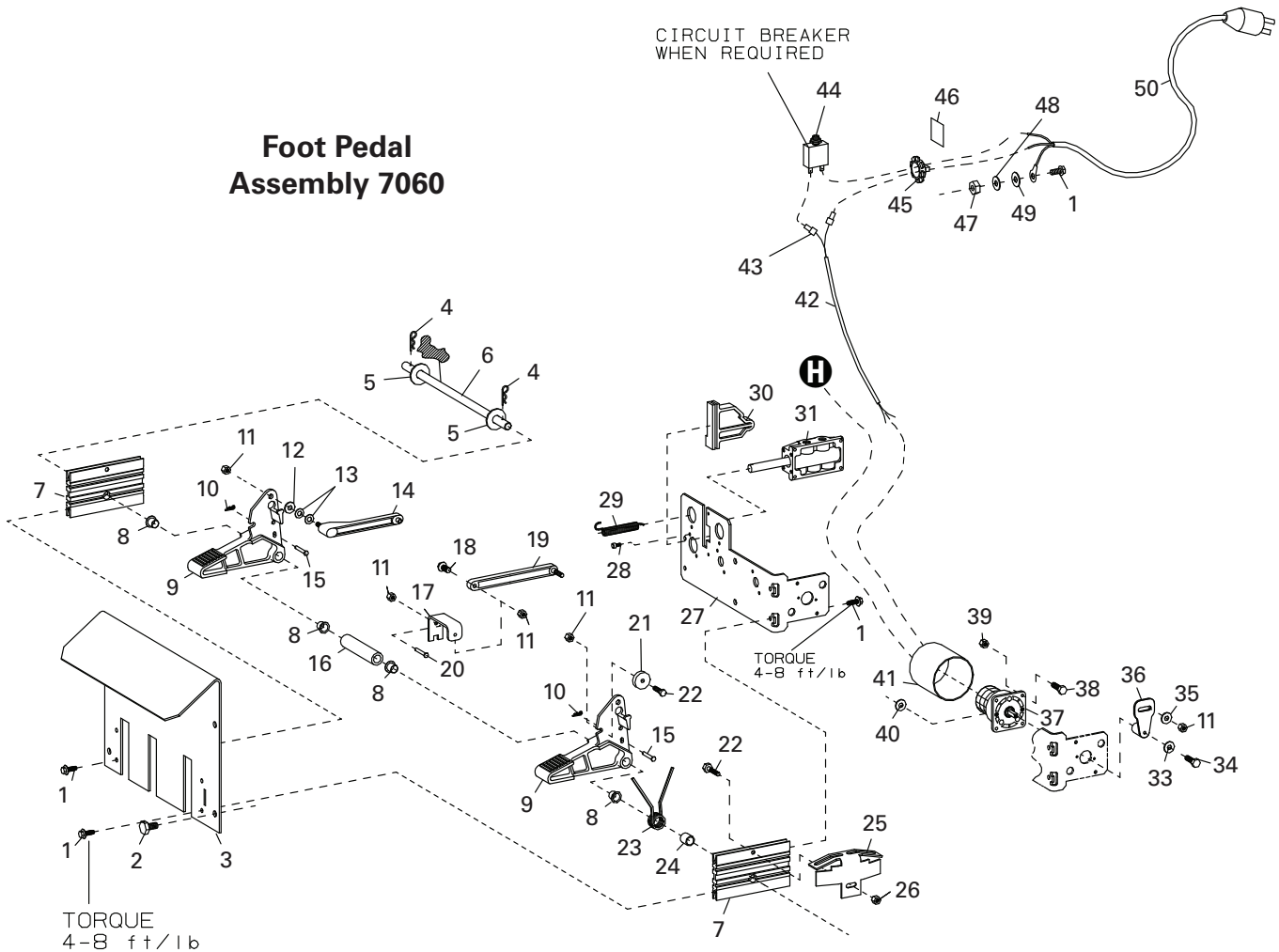


**(Table Top and Shaft Housing Assembly)**

<b>ITEM</b>	<b>PART NO.</b>	<b>DESCRIPTION</b>	<b>ITEM</b>	<b>PART NO.</b>	<b>DESCRIPTION</b>
1	8181929	Skt. Hd. Cap Scr., 3/8-16 x 1", Gr.8	41	8182186	Dipstick-Transmission
2	8181704	Table Top Plate	42	8182185	Tube-Dipstick
3	8182024	1/4" Steel Ball	43	8185654	Kit-Transmission
4	8182025	Inflation Nozzle	44	8181658	Pulley-Transmission
5	8182083	3/4" Jam Nut	45	8182162	Nut - Hex, 12MM, Gr.8.8
6	8183604	Bootie Kit, Rim Clamp, Pkg of 10	46	8180047	V-Belt, Motor
7	8184126EX	Adjustable Rim Clamp	47	8181183	5/16-18 Nylon Insert Lock Nut, Gr.5
8	8182249	Carrier/Cover - Clamp Adj.	48	8143044	Tinnerman Sq. Captive Nut 3/8-16
9	8182250	Adj. Clamp Plunger/Spring Assy.	49	8181931	Bracket, Motor Mounting
10	8182248	Carrier/Cover - Cylinder End	50	8106303	3/8" Whiz Lock Nut, Gr.5
11	8101039	Nut - Lock, 1/2", Gr.5	51	8180217	5/16-18 x 3/8" Soc.Hd.Set Screw, Gr.5
12	8181734	Pivot Link W/C	52	8184674	Pulley-Motor
13	8182279	Adj. Clamp Link Bolt	53	8180558	Key-Motor
14	85000758	Grip-Max™ Laminated Clamps Pkg of 4	54	8184691	Motor, Electric 115V
15	8182682	Nut-Hex, Lk, Rvsble, #10-24		8182732	Motor, Electric 220V, 50Hz, 1ø
16	85000595	3 Position Laminated Clamp Cover	55	8180638	Motor Capacitor Only
17	85000594	Laminated Clamp Grip	56	8181511	Motor Cable Assembly
18	85000610	Shoulder Screw, 1/4 x 101/4x#10-24	57	8180560	Ground Jumper
19	85000596	3 Position Laminated Clamp	58	8120325	5/16-18 x 1 Ser. Wash.Hd.Scr., Gr.5
20	8182250	Plunger, Spring & Housing	59	8120455	10-24 Self Tap Screw, Gr.2
21	8181731	Pivot Plate - Table Top			
22	8183476	Roll Pin - ø1/4" x 3/4"			
23	8181733	Pivot Block			
24	8183452	Flange Whiz-lock Scr., 5/16-18 x 5/8"			
25	8182613	Cylinder Assembly-Table Top			
26	8182080	Seal Kit, T.T. Cylinder			
27	8181183	5/16-18 Nylon Insert Lock Nut Gr.5			
28	8181622	Cap, Cylinder Bottom			
29	8182719	1/2-13 Locking Jam Nut, Gr.5			
30	8182062	Washer, 1-38 OD x 1/2 ID x 0.062			
31	8181629	Shaft, Tabletop Cyl.			
32	8181627	Sleeve, Cylinder			
33	8181620	Cap, Cylinder Top			
34	8181633	Tie Bolt, Tabletop Cylinder			
35	8182627	Cap Plug - 1-5/8" Dia.			
36	8181742	16MM x 40mm Hex Head Bolt Gr.10.9			
37	8182979	Washer - Molded, ø16mm			
38	8181990	Spider Assembly			
39	8182619	Rotary Coupling Assembly			
40	8183156	Washer - ø2" X ø2 3/4" x .010			

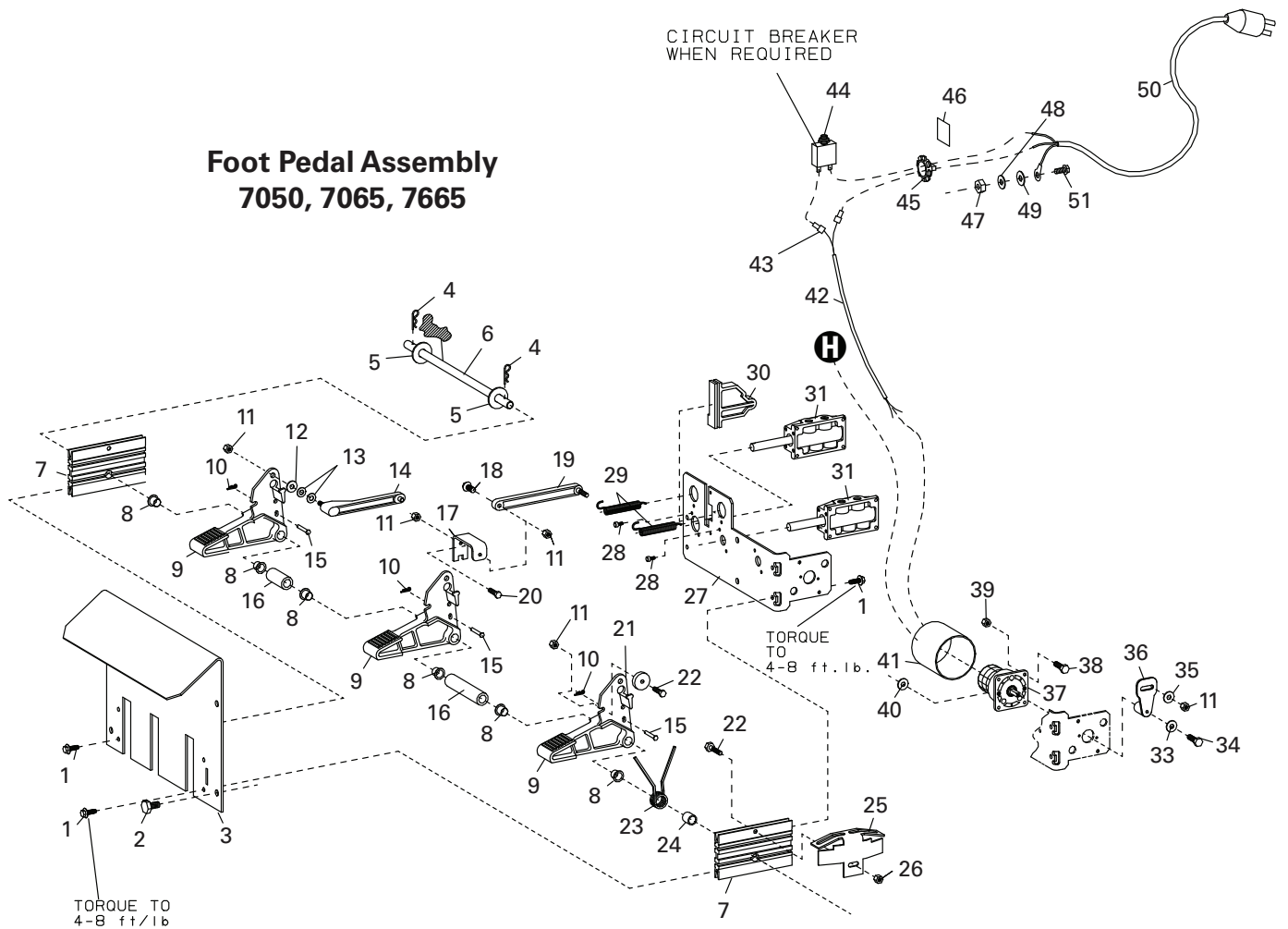
# Foot Pedal Assembly

ITEM	PART NO.	DESCRIPTION	ITEM	PART NO.	DESCRIPTION
1	8106301	1/4" Hex Hd Self Tap Screw, Gr.5	16	8181911	Spacer-Pedal (7050, 7065, 7665)
2	8102459	3/8" Self Tap Screw Gr.5	17	8182327	Pedal Spacer (7050, 7065, 7665)
3	8182332	Guard-Foot Pedal	18	8182358	Spacer-Pedal (7060)
4	8111609	Cotter, Hair Pin	19	8182363	Spacer - Sw Pedal Lever-Red
5	8301121	Washer	20	8181984	Hx.Hd.Cp.Scr., 1/4-20 x 1", Gr.5
6	8183398	Pedal Shaft	21	8181699	Lever Assembly - Switch
7	8181918	Bar-Valve Brkt. Spacer	22	8190134	1/4-20 x 3/4 HHCS Gr.5
8	8181948	Bearing-Nyliner, 1/2"	23	8181923	Washer - Stop
9	8181675	Pedal, Standard	24	8181984	1/4 x 1-1/4 Hex Hd Cap Screw, Gr 5
10	8120469	Hair Pin Cotter	25	8181707	Torsion Spring
11	8181369	Nut - Lock, Nyl. Ins., 1/4-20, Gr.5	26	8181872	Sleeve-Torsion Spring
12	8107635	5/16" Flat Washer	27	8182670	Spring Stop Bracket
13	8181981	Wave Washer, 5/16" I.D.	28	8181369	1/4-20 Nylon Insert Lock Nut Gr.5
14	8181696	Lever-Cam Follower	29	8183031	Bracket-Valve Mounting
15	8181977	Clevis Pin 3/16" x 1-1/2"	30	8181989	10-24 x 3/8 SHCS, Gr.8



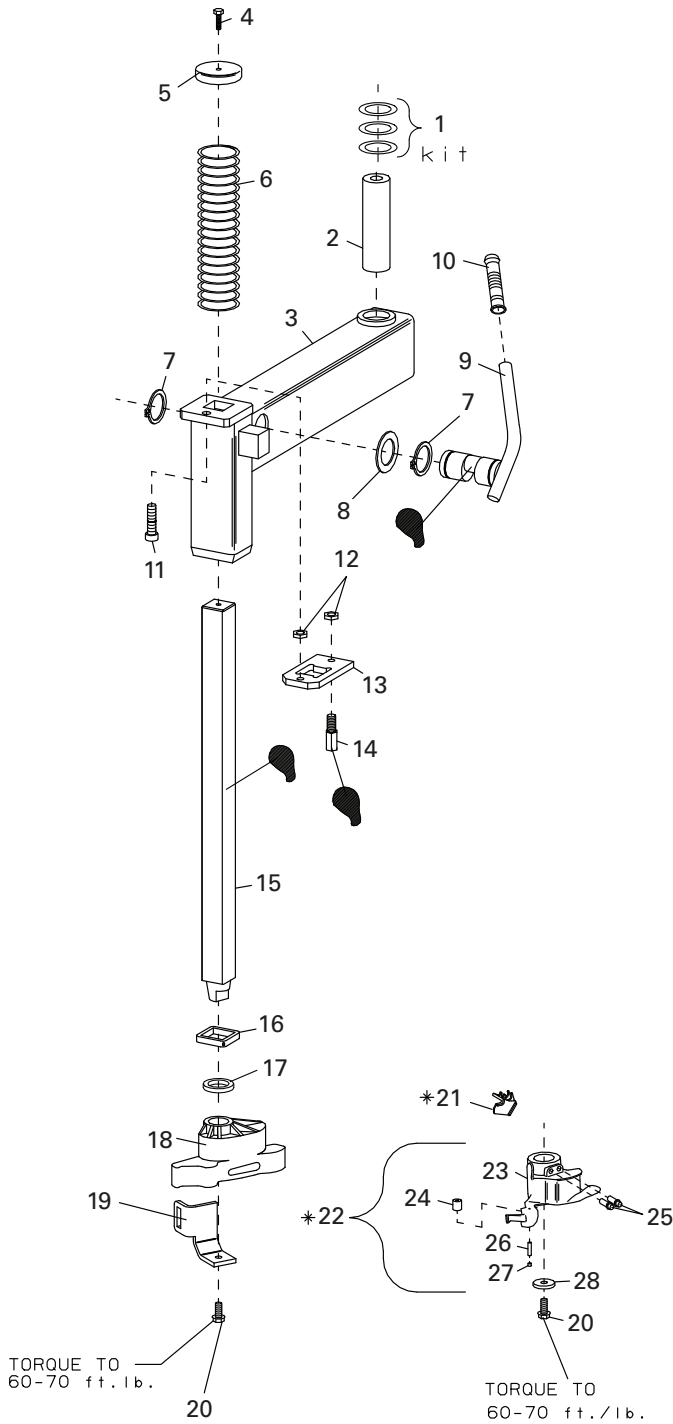
**(Foot Pedal Assembly, cont.)**

ITEM	PART NO.	DESCRIPTION	ITEM	PART NO.	DESCRIPTION
29	8181708	Extension Spring, Pedal	43	8143254	Wire Joint
30	8181695	Cam Mounting Block	44	8181587	Circuit Breaker - 15 Amp, 110V (7050, 7060, 7065)
31	8181986	Valve, 4-Way w/Pull Pin	45	906077	Strain Relief, 240V
33	8301072	#6 Internal Tooth Lk Washer	46	8180237	Caution Decal
34	8181982	3MM x 12mm HHCS Gr.5	47	8107440	1/4-20 Hex Nut Gr.5
35	8000745	Washer - Flat, $\phi 1/4"$	48	8301142	Washer, 1/4" Spring Lock
36	8181728	Lever - Switch Actuator	49	8150441	1/4" Star Lock Washer
37	8182957	Switch-Reversing	50	8182257	Pwr Cable Assy, 115V, w/breaker
38	8181983	BHSCS 10-24 x 5/8, Gr.8			
39	8182682	10-24 Nylon Insert Lock Nut Gr.5			
40	8182682	10-24 Nylon Insert Lock Nut Gr.5			
41	8181959	Cover-Switch			
42	8182141	Cord-Entrance to Switch			





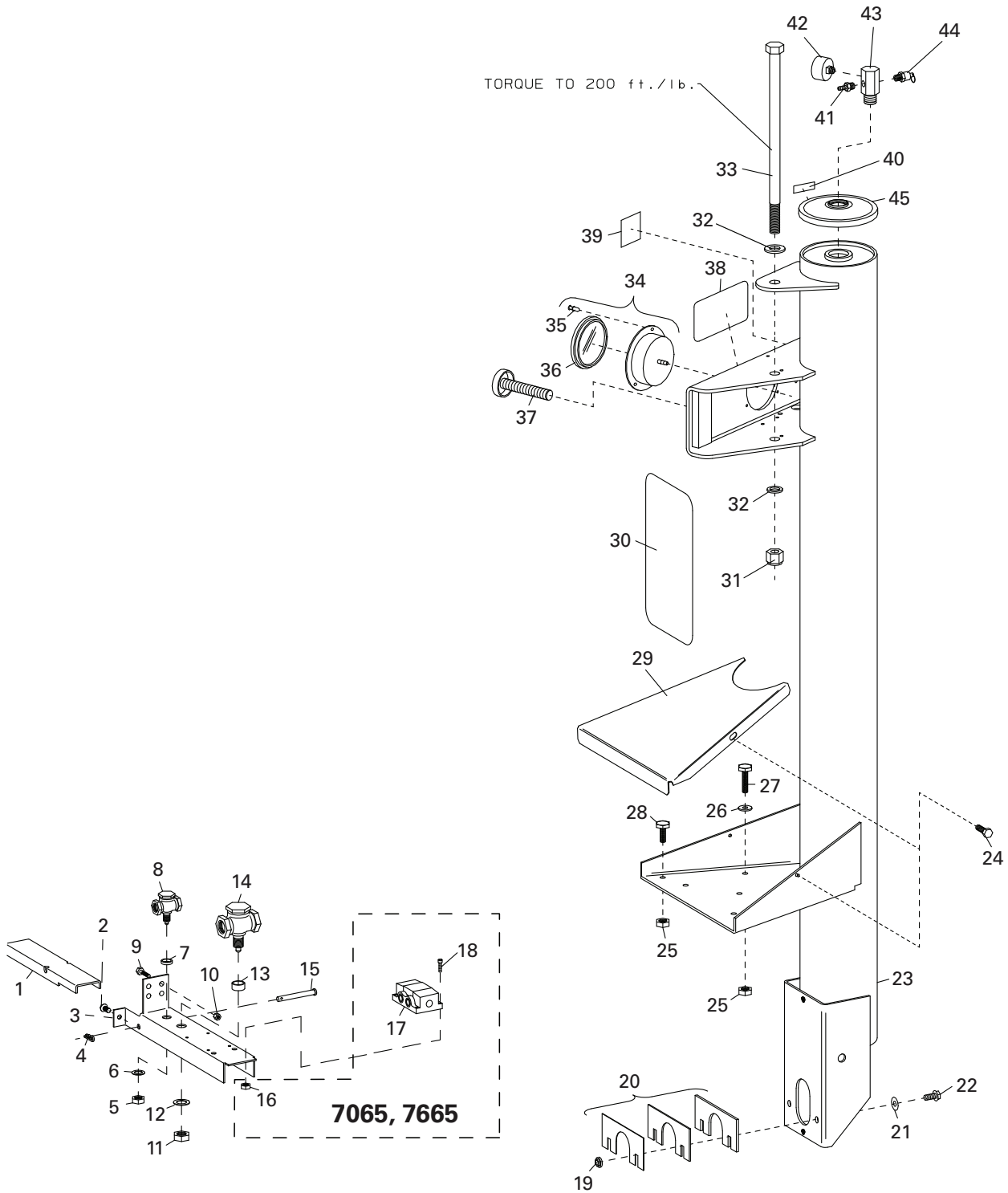
# Swing Arm Assembly



ITEM	PART NO.	DESCRIPTION
1	8182339	Shim Kit - Swing Arm
2	8181038	Pivot Pin-Swing Arm
3	8182820-2	Swing Arm, for R.H. Cam Lock
4	8182029	5/16-1 x 1-1/2 BHSCS, Gr.8
5	8181771	Knob - Vertical Slide
6	8182028	Spring-Vertical Slide (7050)
7	8181095	1-5/8 Snap Ring
8	8182371	Wave Washer, 1-5/8 Dia.
9	8183673	Lock Handle/Lift Cam W/C, R.H.
10	8100979	Handle Grip, Black Flex 3/4 I.D.
11	8181740	SHCS 1/2-13 x 1-3/4, Gr.5
12	8181113	3/4"-13 Gr.5 Jam Nut
13	8181788	Lock Plate
14	8181035	Lift Pin-Lock Plate
15	8182812	Shaft-Vertical Slide
16	8182031	Bumper-Rubber
17	8183033	Washer (7050)
18	8183061	Mount/Demount Head (Plastic)
19	8183665	Bracket Receiver, Bead Roller Tool
20	8106302	3/8" Whiz Lock Screw, Gr.5
21	8182770	Bootie-Mount/Demount Head-Single
	8182961	Mount/Demount Head Bootie-Pkg of 2
	8182963	Mount/Demount Head Bootie-Pk of 12
22	8182788	Mount/Desmount Head Assembly
23	8182026	Mount Demount Head Assembly (7060)
24	8181916	Roller 0.562 Diameter x 0.515 LG. (7060)
	8182787	Roller 0.562 Diameter x 0.515 LG. (7050, 7065, 7665)
25	8182813	3/8-16 x 3/4" Ctr Bore Cap Scr, Gr.8
26	8182786	5MM x 25MM Dowel Pin
27	8140667	1/4-20 x 1/4 Soc.Hd.Set Scr, Gr.8
28	8182027	Washer 7 ga. x .406 ID x 1.28 OD

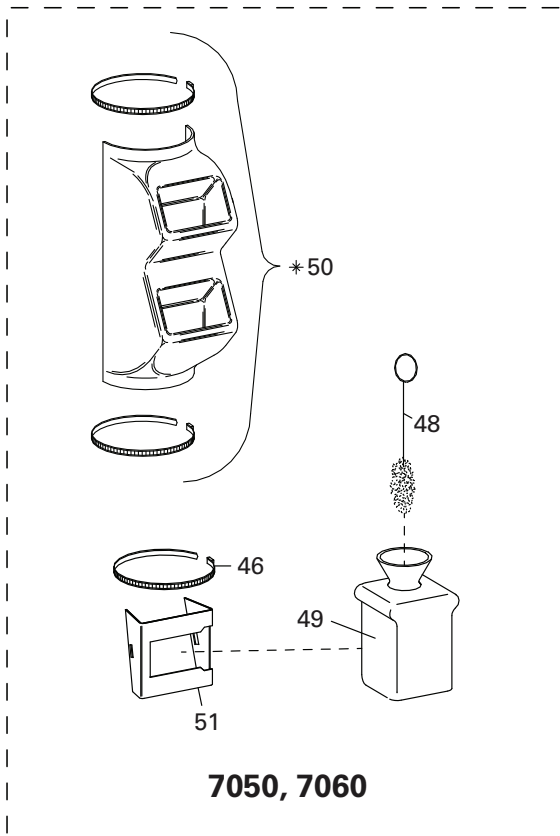
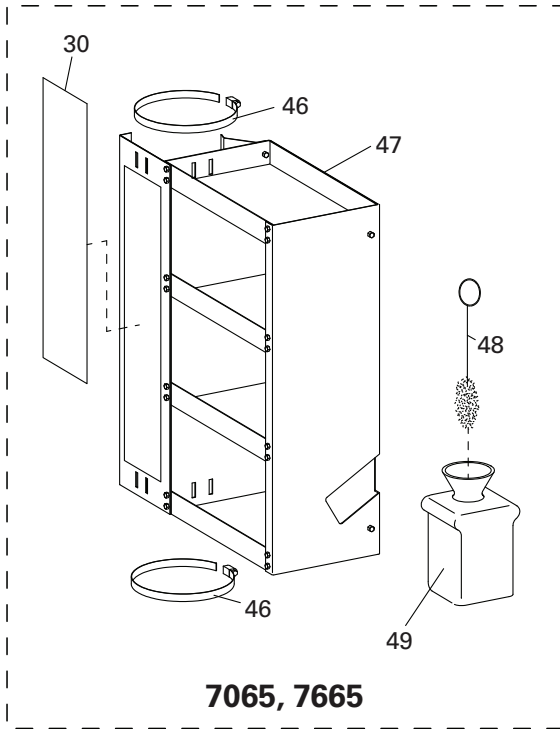
 APPLY GREASE TO THESE LOCATIONS

# Inflation Bracket and Tower Assembly



## (Inflation Bracket and Tower Assembly)

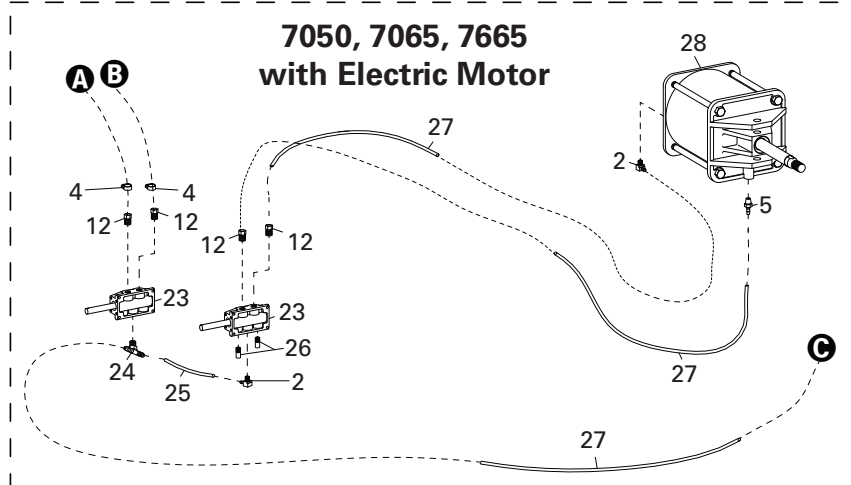
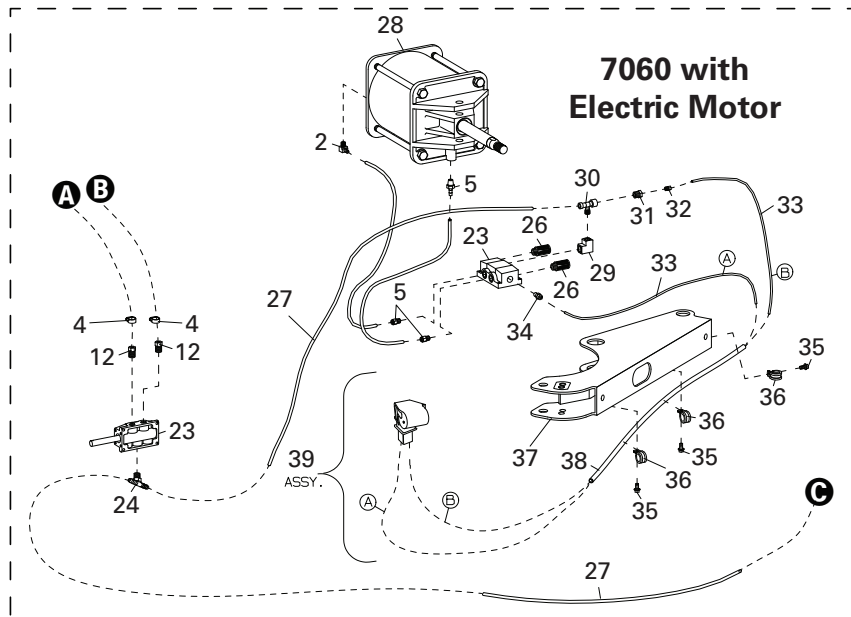
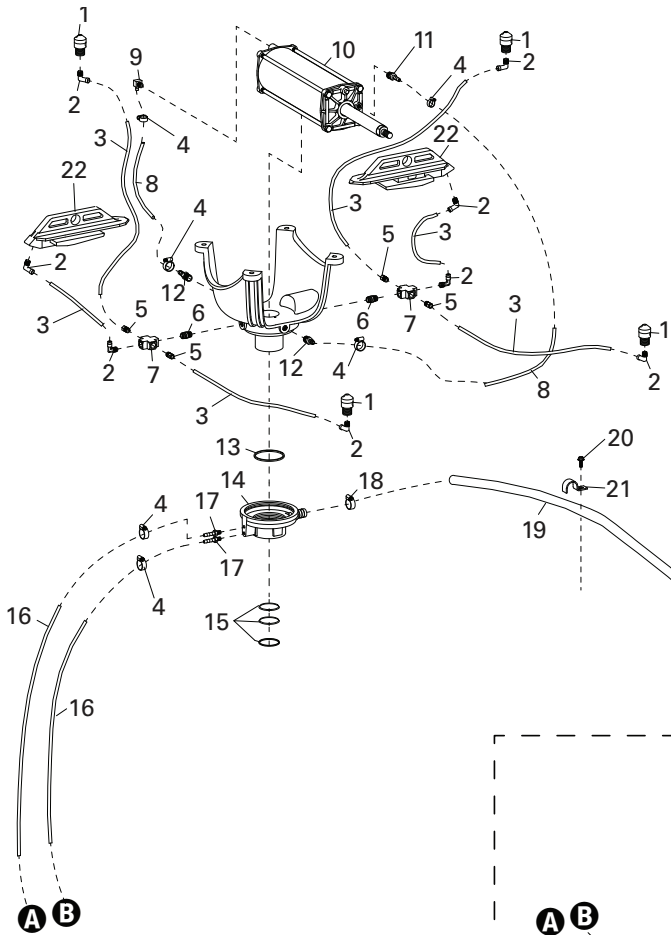
ITEM	PART NO.	DESCRIPTION
1	8181933	Pedal Inflation
2	8102459	3/8" Self Tap Screw Gr.5
3	8181932	Inflation Brkt.
4	8107407	Hitch Pin Retainer
5	8104611	5/8" N.F. Jam Nut Gr.5
6	8104613	5/8" Ext. Tooth Lock Washer
7	8104673	Bushing (1/4" Valve)
8	8104600	1/4" Valve Comp.
9	8120408	1/4-20 x 1-3/4 H.H. Cap Scr., Gr.5
10	8143169	1/4-20 Whiz Lock Nut, Gr.5
11	8104610	3/4" N.F. Jam Nut Gr.5
12	8104612	3/4" Ext. Tooth Lock Washer
13	8104674	Bushing (3/4" Valve)
14	8106298	3/4" Valve Ported 1/4"-18 NPT
15	8180103	3/8 x 3-1/4 Clevis Pin
16	8181682	10-24 Nylon Insert Lock Nut Gr.5
17	8181995	Valve, 4-Way w/Pull Pin (7065, 7665)
18	8182001	#10-24 x 3/4" Gr.5 Skt Hd St Cp Scr
19	8120424	3/8"-16 Wash Hd. Lock Nut Gr.5
20	8182076	Shim Kit
21	8000240	Washer 1" OD x 13/32 ID x 3/16"
22	8107715	3/8-16 x 1-1/4 Hex Hd. Cap Scr, Gr.8.8
23	8183622	Tower/Air Receiver (7050, 7060, 7065)
	8183764	Tower/Air Receiver (7665)
24	8106301	1/4 H.H. Self-Tap Screw Gr.5 (7050)
25	8106303	3/8" Whiz Lock Nut, Gr.5
26	8101018	Washer 0.392 x 0.687 x 0.0478
27	8181137	3/8-16 x 2-1/4 Hex Hd.Cap Scr, Gr.5
28	8106302	3/8" Whiz Lock Screw, Gr.5
29	8182805	Cover - Upper Tower Support (7050, 7065, 7665))
30	8182373	Decal, Warning
31	8182016	3/4"-10 Gr.5 Nylon Insert Lock Nut
32	8182457	Washer, 3/4"
33	8183635	3/4-10 x 14" Hex Hd. Cap Scr, Gr.5
34	8107985	Flanged Air Gauge w/Fasteners
35	8107983	Plastic Fastener
36	8107517	Gauge Lens, Screw On
37	8181114	Knob Assy-Adjusting
38	8109888	Inflation Warning Decal
39	8109769	Decal - Release Valve
40	8182059	Decal, Line Press Gauge
41	8000378	1/4" Brass St. Fitting
42	8108968	Air Gauge
43	8183434	Manifold/Gauge Protector
44	8182599	Safety Valve
45	8182458	Plastic Cap (Tower)
46	8182221	Hose Clamp, 6" (7060, 7065, 7665)
47	8183509	Accessory Box Assembly (7065, 7665)
48	8000491	Lube Applicator
49	8106259	Lube Bottle (Red)
50	8181554	*Accessory Tray Kit (7050, 7060, 7065)
51	8182167	Lube Bottle Brkt-Red (7060)
	8182809	Lube Bottle Brkt-Red (7050, 7065, 7665)



# Pneumatic Diagrams

ITEM	PART NO.	DESCRIPTION
------	----------	-------------

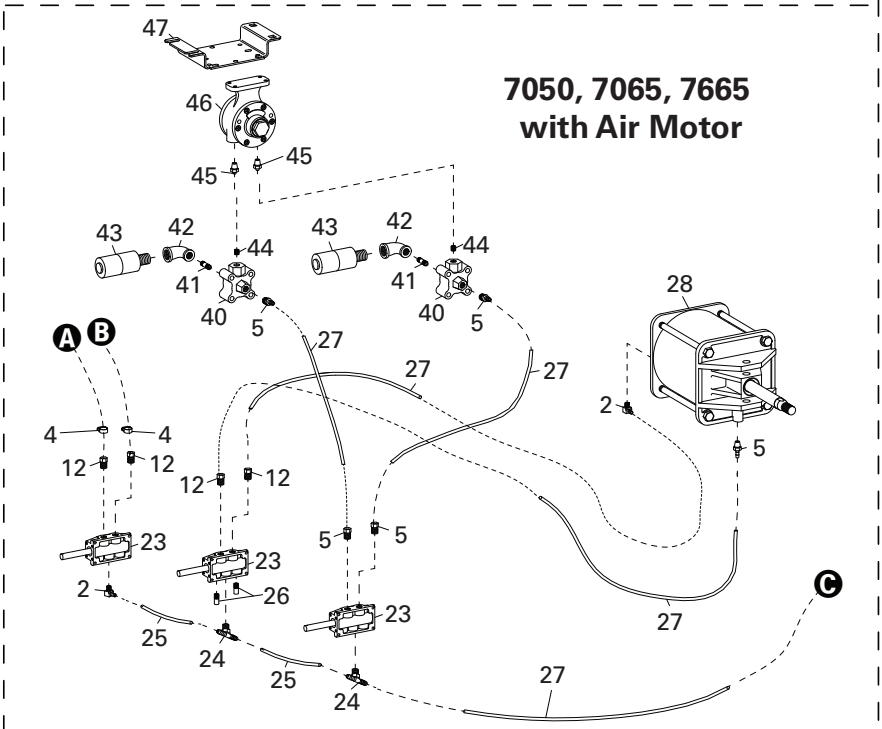
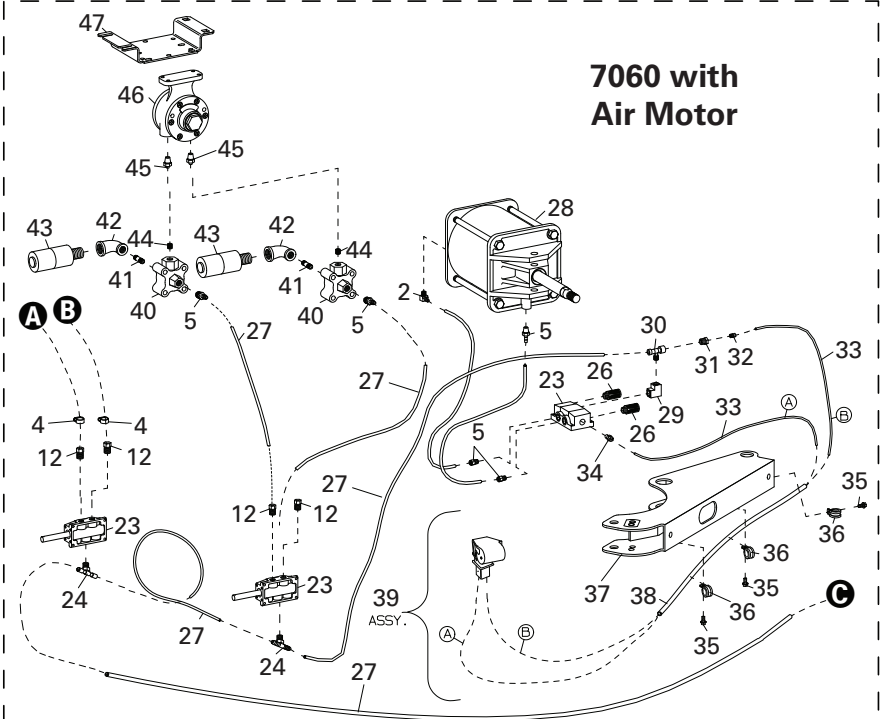
1	8182025	Inflation Nozzle
2	8181998	Male Elbow 1/4 NPT x 3/8 Tube
3	8182836	3/8 OD x 15.5" Lg Nylon Tube
4	8101428	Hose Clamp-1/4 I.D. Hose
5	8181999	Male Elbow 1/4 NPT x 3/8 Tube
6	8182366	1/4 NPT Close Nipple
7	8182367	1/4 NPT Brass Cross Fit. (7060, 7065, 7665)
8	8103649	ø1/4 x 12" Hose
9	8110497	Male Elbow 1/8 NPT x 1/4 Hose
10	8182613	Cylinder Assembly-Table Top
11	8182035	Male St Fit. 1/8 NPT x 1/4 Tube
12	8000378	1/4" Brass St. Fitting
13	8181713	O-Ring Seal, Large (2-244)
14	8181349	Rotary Coupling
15	8181712	O-Ring Seal, Small (2-142)
16	8106289	ø1/4" x 22" Hose
17	8104844	St Fitting 1/8 NPT x 1/4 Hose
18	8101346	3/4" Hose Clamp
19	8181954	Hose 3/4" x 31" Lg.-Black
20	8106301	1/4" Hex Hd Self Tap Screw, Gr.5 (7050)
21	8104584	Ring Clamp ø3/4" Hose (7050)
22	8182249	Carrier/Cover - Clamp Adj.
23	8181986	Valve, 4-Way w/Pull Pin





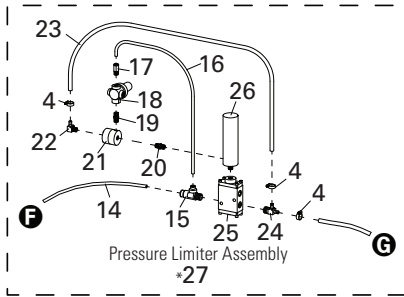
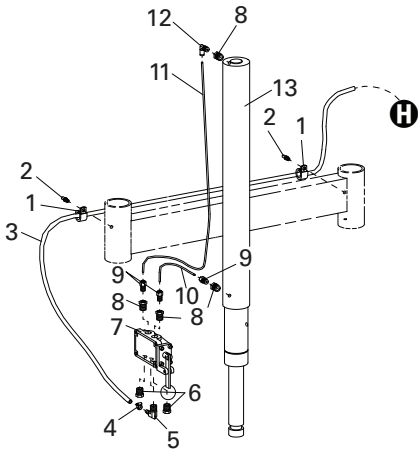
**(Pneumatic Diagrams, cont.)**

ITEM	PART NO.	DESCRIPTION	ITEM	PART NO.	DESCRIPTION
24	8181988	Male Brch. Tee 1/4 NPT x 3/8 Tube	38	8182008	Hose 3/8" x 50" (7060)
25	8182004	Nylon Tube 3/8" x 30" Lg. (7065, 7665)	39	8182320	B.L. Handle/Valve Assembly (7060)
26	906960	1/4-18 NPT Muffler	40	8181191	Valve, Quick Exhaust
27	8184459	Black Rubber Hose, 3/8 x 25"	41	8181207	3/8 NPT Close Nipple
28	81833123	B.L. Cylinder Assembly (7060)	42	8182736	3/8 NPT Street Ell (7050)
28	8183312	B.L. Cylinder Assembly (7050, 7065, 7665)	42	8181195	1/2" x 3/8" Reducing ELL (7060, 7065, 7665)
29	8000372	1/4" x 90° Street Ell	43	8181206	Muffler-1/2" NPT
30	8183352	Fitting Kit, Special Male Branch Tee	44	8000580	Nipple - Close, 1/4 NPT
31	8109481	1/4 x 1/8 Brass Bushing (7060)	45	8181203	1/2"-1/4" Reducing Bushing
32	8181996	1/8 NPT x 1/8 Tube Male St. Fit. (7060)	46	8181190	Airmotor, Gast. 6AM
33	8182007	ø1/8" x 60" Nylon Tube (7060)	47	8181931	Bracket, Motor Mounting
34	8181987	1/8 NPT x 1/8 Tube Str. Ftg. (7060)			
35	8142844	1/4-20 Gr.5 Hex Hd. Self-Tap Scr (7060)			
36	8182044	Hose Clamp (7060)			
37	8182002	B.L. Arm (7060)			



## (Pneumatic Diagrams, cont.)

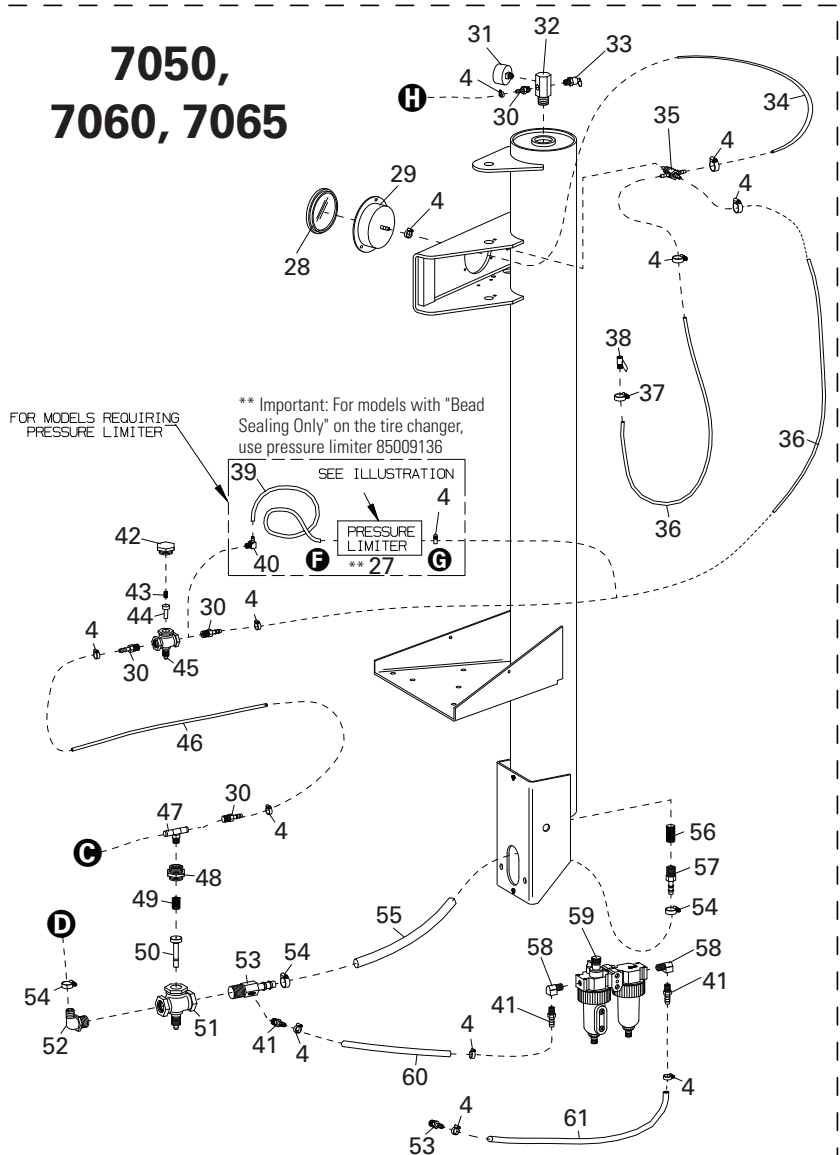
ITEM	PART NO.	DESCRIPTION
1	8182044	Hose Clamp
2	8184226	Grease Fitting, St.
3	8184243	1/4" x 49" Red Rubber Hose
4	8101428	Hose Clamp-1/4 I.D. Hose
5	8000376	Fitting ELL 90° 1/4 Hose
6	8105615	Muffler 1/4" NPT
7	8183642	Valve, 3 Pos, Hand Operated
8	8109481	1/4 x 1/8 Brass Bushing
9	8181996	1/8 NPT x 1/8 Tube Male St. Fit.
10	8183679	Tube, ø1/8" x6"
11	8183680	Tube, ø1/8" x27"
12	8181997	Fitting, 90° Elbow 1/8 x 1/8
13	8183644	Cyl. Assem. ø1/2" x18" Stroke
14	8184459	Black Rubber Hose, 3/8 x 25"
15	8110325	1/4" NPT Male Run Tee
16	8182037	Nylon Tube 1/4 OD x 10" Lg.
17	8182035	Male St Fit. 1/8 NPT x 1/4 Tube
18	8111083	Regulator
19	8109472	1/8" Inline Filter
20	8109471	1/8" Brass Hex Nipple
21	8109468	Pressure Repeater
22	8110497	Male Elbow 1/8 NPT x 1/4 Hose
23	8103649	ø1/4 x 12" Hose
24	8111255	Spl Tee-1/4 NPT x 3/8 x 1/4



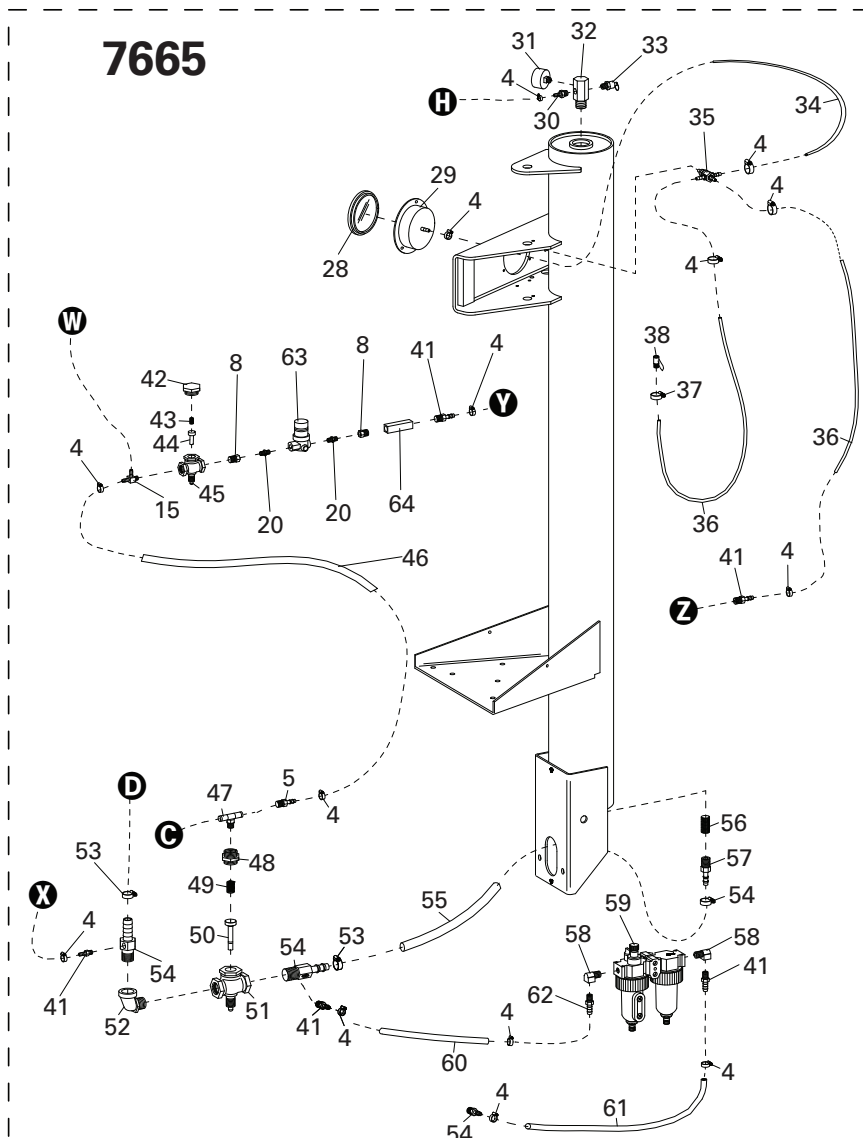
## 7050, 7060, 7065

FOR MODELS REQUIRING  
PRESSURE LIMITER

\*\* Important: For models with "Bead  
Sealing Only" on the tire changer,  
use pressure limiter 85009136  
SEE ILLUSTRATION

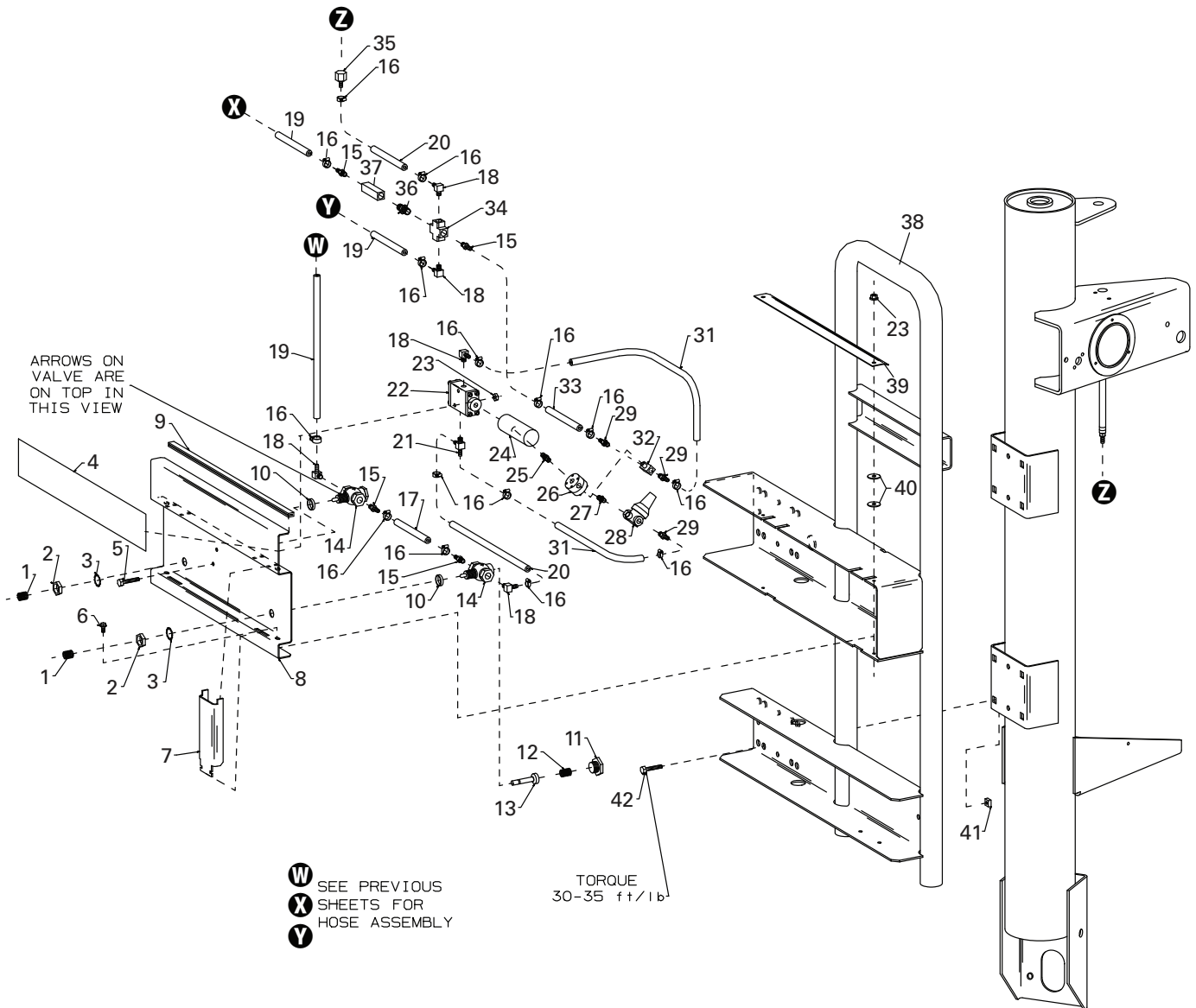


ITEM	PART NO.	DESCRIPTION	ITEM	PART NO.	DESCRIPTION
25	8109466	Valve-Piloted	47	8183352	Fitting Kit, Special Male Branch Tee
26	8110496	Volumn Chamber	48	8106298	Valve PPT, 1/4-18 NPT
27	85000816	Pressure Limiter (7060)	49	8104651	Spring, 3/4" Valve
	85009136	**Pressure Limiter (7060)	50	8104652	Poppet, 3/4" Valve
28	8107517	Gauge Lens, Screw On	51	8106298	3/4" Valve Ported 1/4"-18 NPT
29	8107985	Flanged Air Gauge w/Fasteners	52	8107924	3/4 Nylon Elbow
30	8000378	1/4" Brass St. Fitting	53	8182020	3/4 NPT x 1/4 NPT St. Fit. (7060, 7065, 7665)
31	8108968	Air Gauge	54	8101346	3/4" Hose Clamp
32	8183434	Manifold/Gauge Protector	55	8181993	Hose, 3/4" x 15 1/2"
33	8182599	Safety Valve (7060, 7065, 7665)	56	8182464	Strainer Screen
33	8104968	Safety Valve (7050)	57	8104573	Fitting, Straight-3/4"
34	8000481	Hose 1/4" x 6	58	8000372	1/4" x 90° Street Ell
35	8183502	Manifold Bleed Valve Assembly	59	8182827	Filter Lubricator
36	8182090	Hose 3/4" x 61" Lg.	60	8182497	Hose 3/8" x 36" Lg.
37	8105822	ø9/16" Hose Clamp	61	8181147	Hose 3/8 x 17-1/4" Lg.
38	8410419	Air Chuck	62	8000572	1/4" Barbed Fitting (7665?)
39	8182005	Nylon Tube 3/8" x 18-34" Lg.	63	8182998	Regulator, 40 PSI (7665)
40	8181998	Male Elbow 1/4 NPT x 3/8 Tube	64	8104969	Check Valve (7665)
41	8101898	3/8" Hose Fitting			
42	8105671	End Cap, 1/4" Valve			
43	8102468	Poppet Spring, 1/4" Valve			
44	8104649	Poppet, 1/4" Valve			
45	8104600	1/4" Valve Comp.			
46	8106288	Hose 1/4 x 16-1/4"			



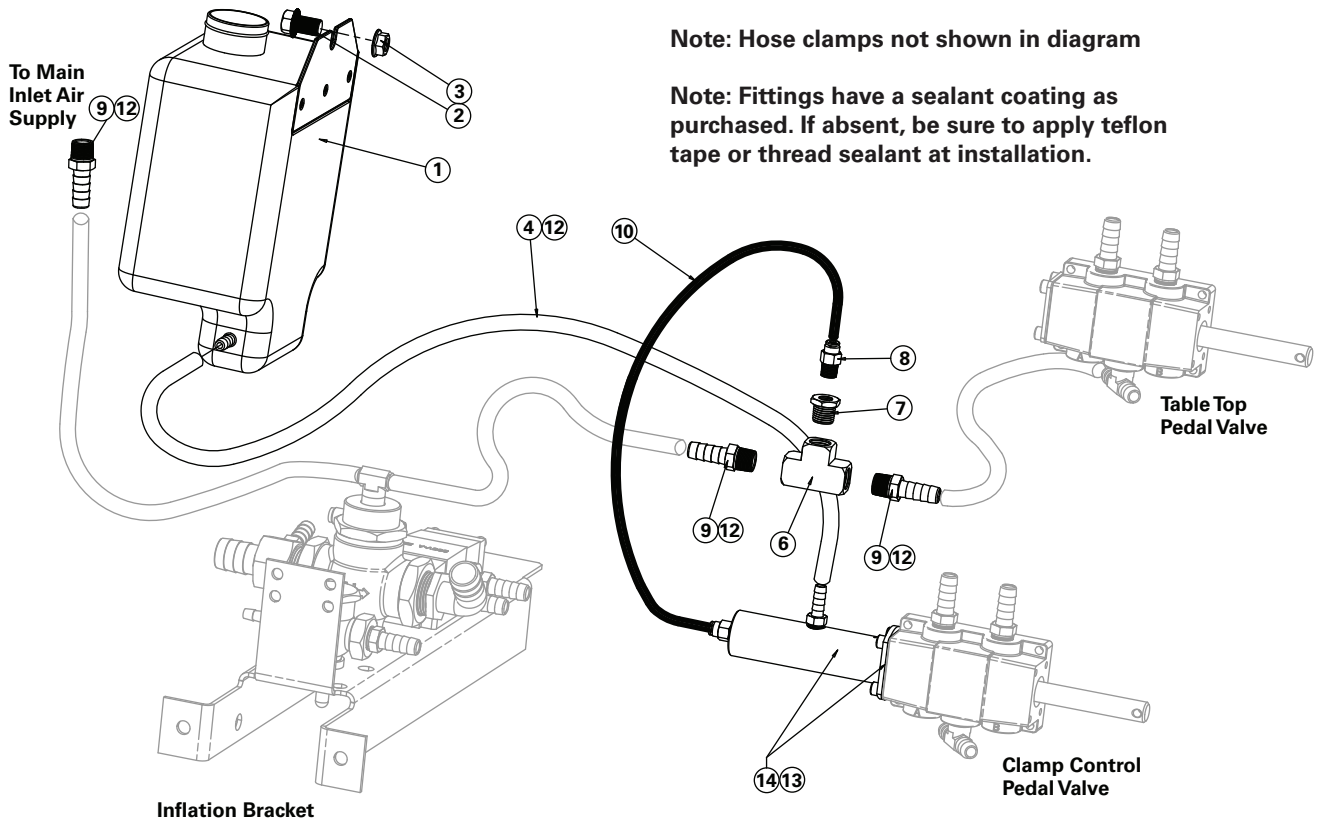
# Inflation Guard Assembly - 7665

ITEM	PART NO.	DESCRIPTION	ITEM	PART NO.	DESCRIPTION
1	8182318	Handle Spring-B.L. (7665)	22	8109466	Valve-Piloted
2	8104611	5/8" N.F. Jam Nut Gr.5	23	8143169	1/4-20 Whiz Lock Nut, Gr.5
3	8104613	5/8" Ext. Tooth Lock Washer	24	8110496	Volumn Chamber
4	8182981	Warning Decal	25	8109471	1/8" Brass Hex Nipple
5	8120408	1/4-20 x 1-3/4 H.H. Cap Scr., Gr.5	26	8109468	Pressure Repeater
6	8106301	1/4" Hex Hd Self Tap Screw, Gr.5	27	8109472	1/8" Inline Filter
7	8182862	Valve Actuator	28	8111083	Regulator
8	8182842	Front Cover	29	8104844	St Fitting 1/8 NPT x 1/4 Hose
9	8183067	Trim Strip, 19"	31	8102048	ø1/4" x 15" Hose
10	8104673	Bushing (1/4" Valve)	32	8110328	Tee, 1/8" NPT
11	8105671	End Cap, 1/4" Valve	33	8181213	ø1/4" x 3" Hose
12	8102468	Poppet Spring, 1/4" Valve	34	8182367	1/4 NPT Brass Cross Fit.
13	8104649	Poppet, 1/4" Valve	35	8108605	Female Coupling Assembly
14	8104600	1/4" Valve Comp.	36	8000580	Nipple - Close, 1/4 NPT
15	8000378	1/4" Brass St. Fitting	37	8104969	Check Valve
16	8101428	Hose Clamp-1/4 I.D. Hose	38	8183120	Inflation Guard Pkg
17	8103649	ø1/4 x 12" Hose	39	8183237	Safety Cage Handles Cover
18	8000376	Fitting ELL 90° 1/4 Hose	40	920531	Washer, ø1" x 0.281 x 0.063
19	8182090	Hose 3/4" x 61" Lg.	41	8014044	Speed Grip
20	8106289	ø1/4" x 22" Hose	42	8106302	3/8" Whiz Lock Screw, Gr.5
21	8110325	1/4" NPT Male Run Tee			



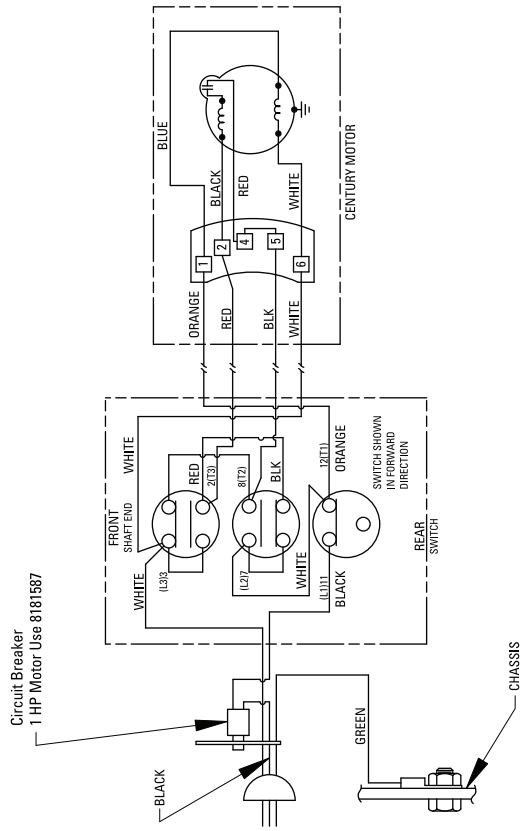
# Oil Injector Diagram (If equipped)

ITEM	PART NO.	DESCRIPTION
1	8185629	Tank Reservoir
2	8183452	5/16-18 Flange Screw
3	924724	5/16-18 Flange Hex Nut
4	8184243	1/4" x 49" Red Rubber Hose
6	8000643	1/4" NPT Tee
7	8109481	1/8" x 1/4" NPT Reducer
8	8181996	1/8" Tube x 1/8" Flange Screw
9	8101898	St. 1/4" NPT 3/8" Hose Fitting
10	85000840	1/8" x 10 Blk Nylon Tube
12	8101428	1/4-5/8 Hose Clamp
13	8184686	Spacer Plug
14	8184675	Oil Injector



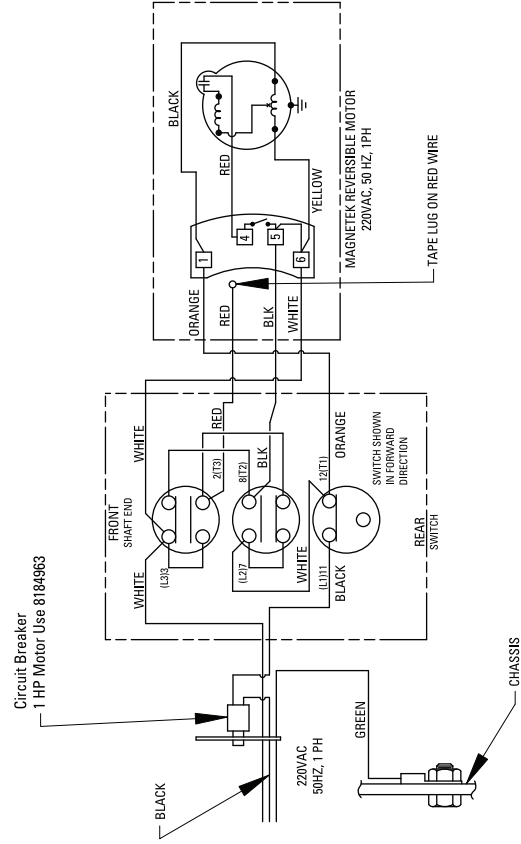
# Wiring Diagrams

## Domestic & C.S.A.



To reverse rotation, interchange red and black wires at motor.

## Export 220VAC



To reverse rotation, interchange red and black wires at motor.

## Notes

# Rim Clamp® Tire Changer

## All-Air Unit Compressed Air Requirements

COATS® Rim Clamp® tire changers that are powered entirely by air (no electric motor) require a single compressed air power source. Refer to the table below for exact specifications.

Tire Changer Model	Compressor Size	Capable of
7660/7665 AX/EX	5HP	14-15 SCFM at 150 PSI
7650/7655 AX/EX	5HP	14-15 SCFM at 150 PSI
7060/7065 AX/EX	5HP	14-15 SCFM at 150 PSI
7050/7055 AX/EX	5HP	14-15 SCFM at 150 PSI

## Oiler and Water Separator Maintenance

The oiler and water separator (on units so equipped) require weekly service. Oil and water levels (indicated on the level gauge on the side of each bowl) should be checked regularly

**1.** The units are equipped with an automatic drain on the water separator and the presence of water under the separator bowl indicates proper function.

**2.** Add oil to the oiler if the fluid level is more than 1/4" from the top of the gauge. Remove the filler plug in the top of the oiler, and add SAE 10W non-detergent oil or an air tool oil to bring the level up to 1/4" from the top of the gauge. Replace the filler plug and clean up any spilled oil.

**3.** On oiler units, adjust the oil flow by rotating the black flow adjustment knob to increase or decrease the flow. Watch the formation of oil drops in the see-through oil chamber. Continually cycle the bead loosener through full strokes and count the drops during the cycles. The delivery of oil to the air line should be about 1 drop per 10 cylinder cycles. Adjust the flow as required.

**Note:** An alternate adjustment method for the oil flow is to turn the knob fully clockwise to stop the flow, then turn it back counterclockwise 1/4 turn.

## Transmission Lubrication

The transmission in this machine is a sealed unit packed with grease and should need no regular maintenance.

## Air Gauge Check and Recalibration

**1.** Inflate a standard 15" passenger car tire/wheel assembly to 32 PSI. Use a high quality stick-type pressure gauge to verify the pressure. Attach the tire changer's inflation hose to the valve stem and check the pressure reading on the air gauge. If it does not read 32 PSI, recalibrate the gauge.

**2.** Remove the screw-on lens. Loosen the 2 screws on the face of the gauge. Loosen them just enough so that the gauge face moves. Do not remove the screws.

**3.** Rotate the gauge face until the 32 PSI mark is aligned with the gauge needle. Tighten the 2 screws and replace the lens.

## Danger, Warning, Caution, and Instructional Decals

Always make the cleaning of these important decals a part of your regular maintenance routine. If they are damaged or illegible, replace them immediately. Your safety, and the safety of others is involved!