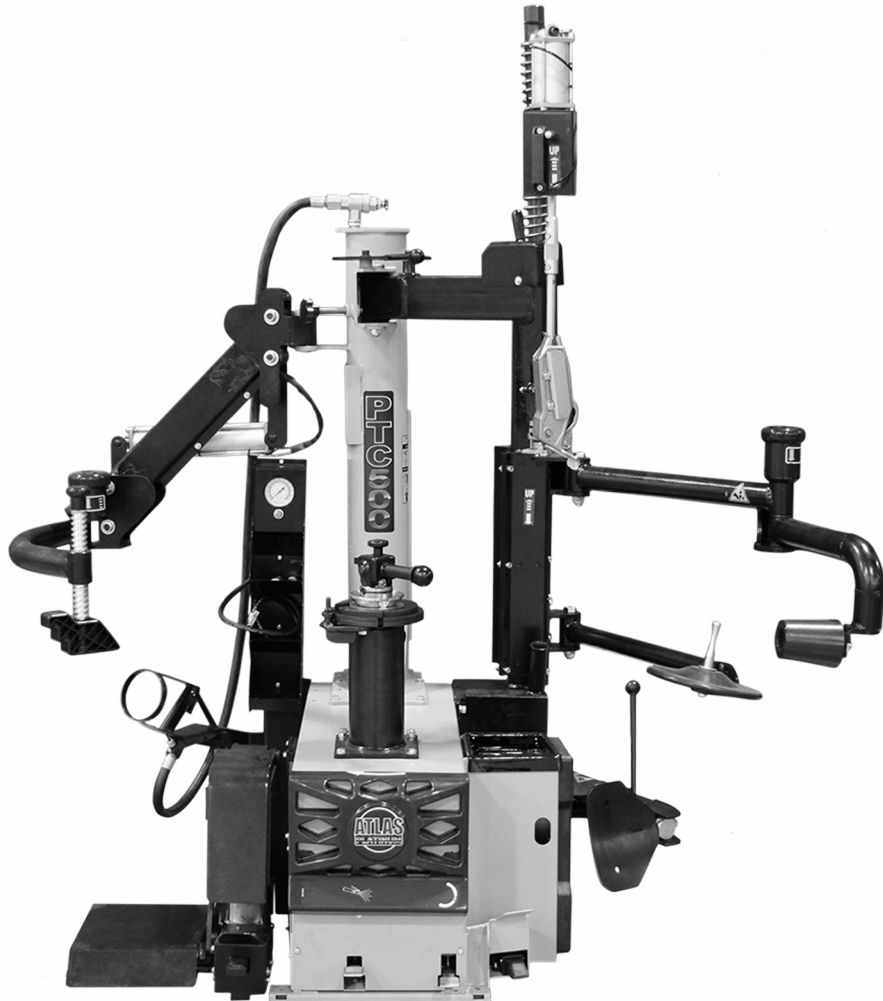
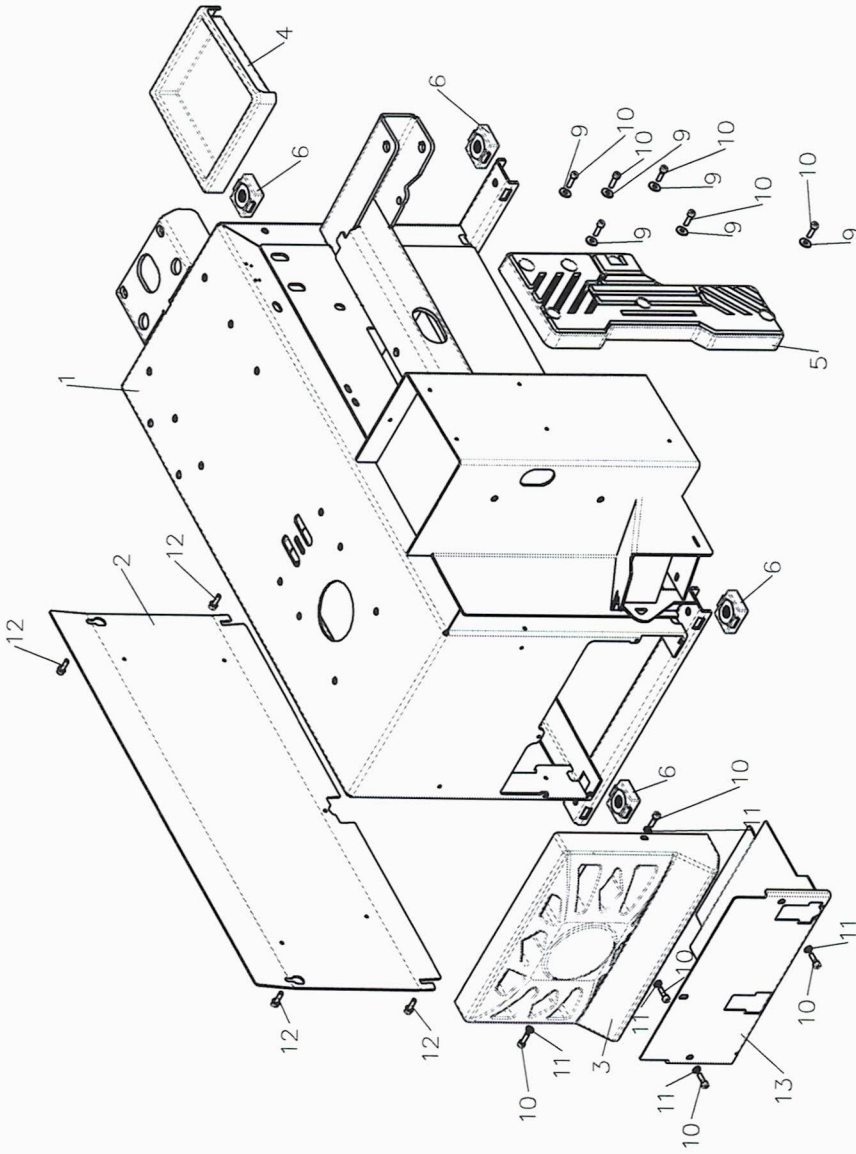




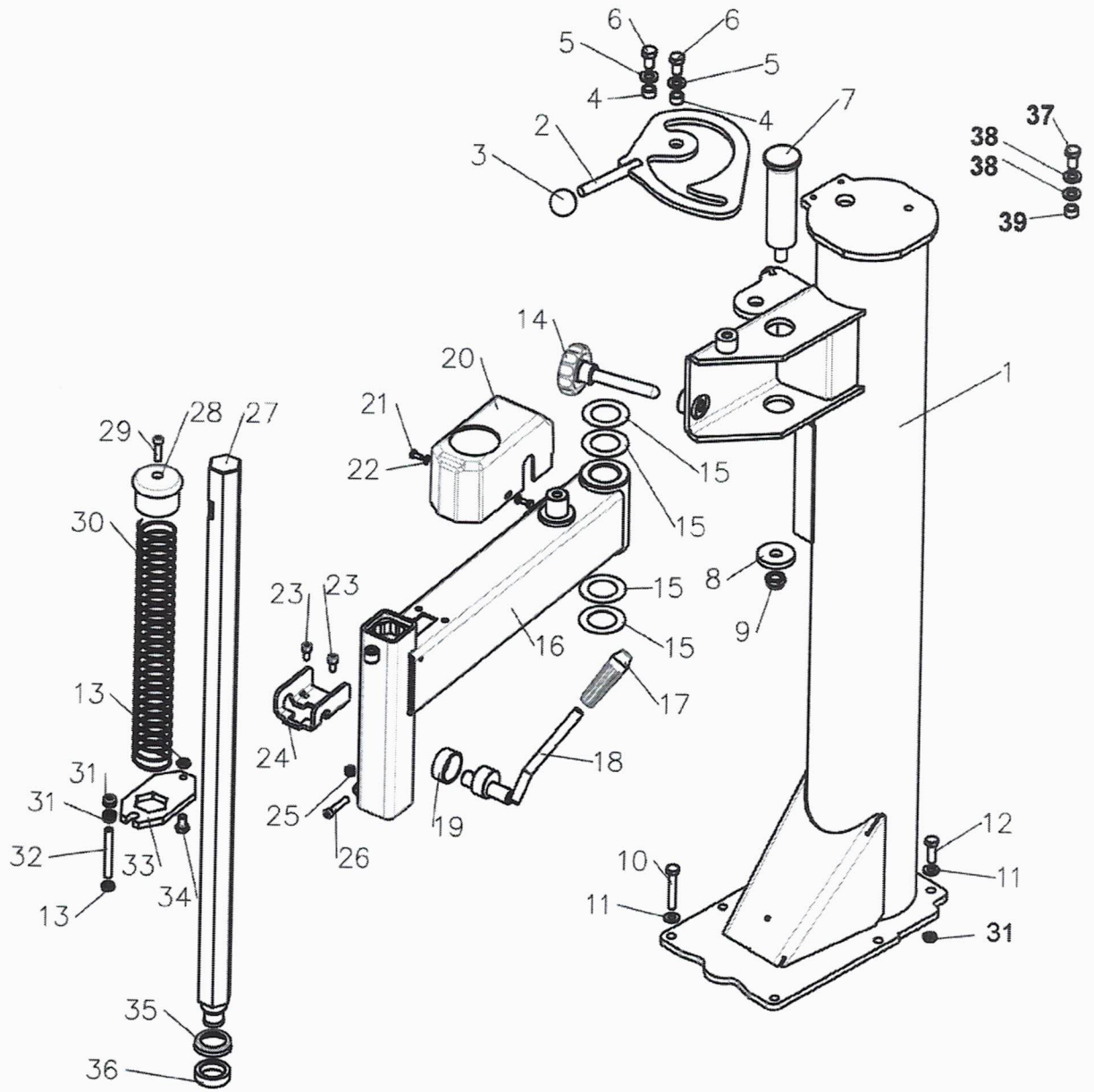
## ***PTC 500***

**PTC500  
UPDATED PARTS LIST  
05/2020**

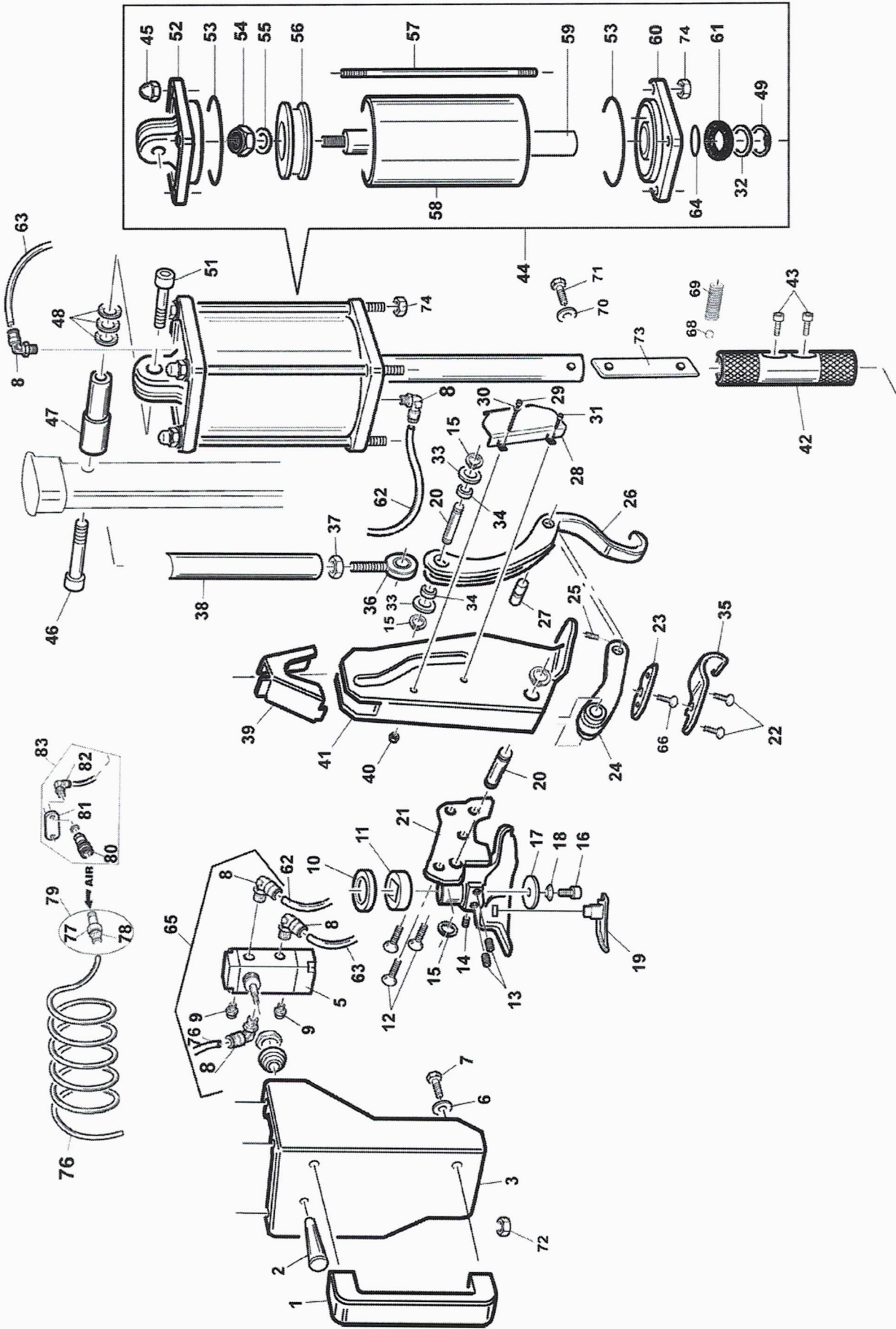




Rif. Ref.	Codice Code	Descrizione Articolo	Description	Description	Beschreibung
1	5643799	CAR.CASSA	MACHINE FRAME	CHASSIS	MASCHINENRAHMEN
2	5636857	COPERCHIO LATERALE	SIDE PANEL	COUVERCLE LATERAL	SEITENDECKEL
3	3043668R	PROTEZIONE PEDALI - ROSSO	PEDAL COVER - RED	COUVERTURE PEDALES - ROUGE	PEDALENABDECKUNG - ROT
4	3038034R	PROTEZIONE ABS APPOGGIO STALLONATORE S234 - ROSSO	ABS COVER - RED	PROTECTION EN ABS - ROUGE	ABS SCHUTZ - ROT
5	3032880	APPRUOTA INTEGR.MAGGIORATO	WHEEL SUPPORT	APPUI ROUE	Grosser Radträger
6	3002099	PIEDE IN PLASTICA PER CARGASSA	PLASTIC FOOT	PIED EN PLASTIQUE	PLASTIKFUSS
9	4398848	RONDELLA 6 (6,6x18x1,5)ZNT16593 (K)	WASHER 6 (6,6x18x1,5)	RONDELLE 6 (6,6x18x1,5)	BEILAGSSSCHEIBE 6 (6,6x18x1,5)
10	4399890	VITE TCEI M 6x20 8,8 ZNT 5931 (*) (K)	SCREW 6x20	RONDELLE 6 (6,4x12x1,6)	SCHRAUBE 6x20
11	4399998	RONDELLA 6 (6,4x12x1,6)ZNT16592 (K)	WASHER 6 (6,4x12x1,6)	RONDELLE 6 (6,4x12x1,6)	UNTERLEGSSSCHEIBE 6 (6,4x12x1,6)
12	4393749	VITE FLANG. ZIGR. TCEI M6x20 ZNT (*) (5931+FL) (K)	KNURLED SCREW TCEI M 6x20 ZNT	VIS MOLETTE TCEI M 6x20 ZNT	RAENDELSCHRAUBE TCEI M 6x20 ZNT
13	5643734	SUPPORTO PEDALIERA	PEDAL UNIT SUPPORT	SUPPORT PEDALIER	PEDALTRAEGER

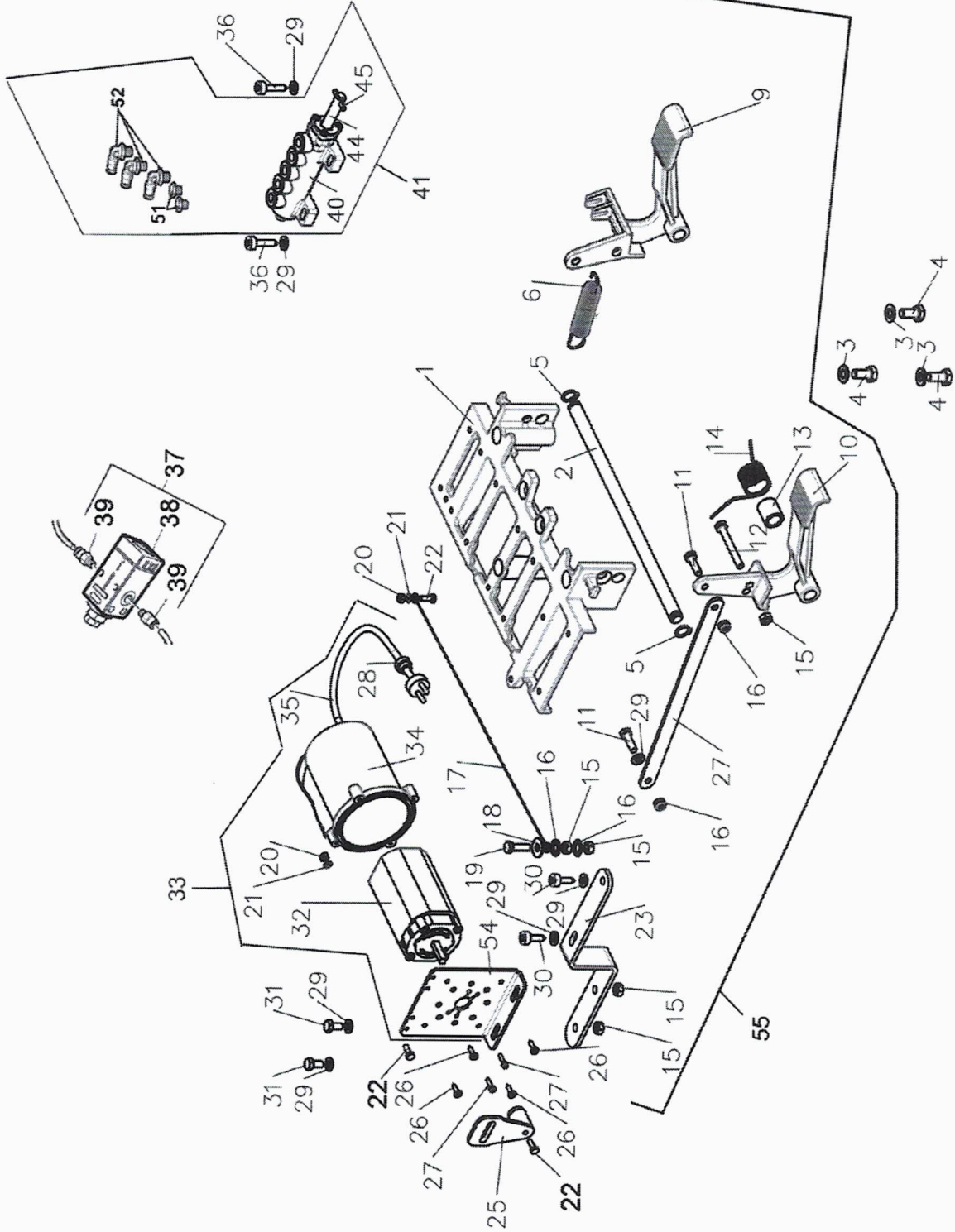
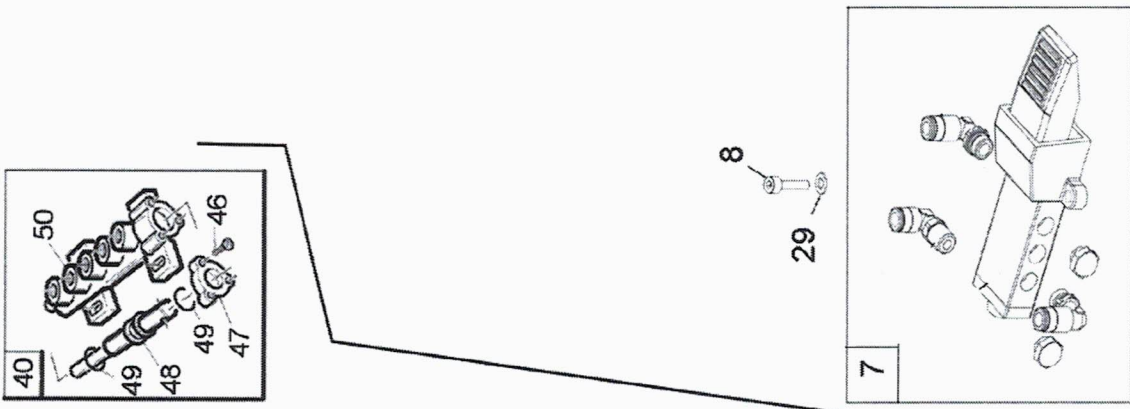


Rif. Ref.	Codice Code	Descrizione Articolo	Description	Description	Beschreibung
1	5643662	PALO VERTICALE	VERTICAL ARM	BRAS VERTICAL	SENKRECHTARM
2	7043725	LEVA BLOC. BRAC. ORIZZONTALE	ARM LOCKING LEVER	LEVIER DE BLOCAGE BRAS	ARMSPERRHEBEL
3	4399952	POMOLO D.14	KNOB D.14	POMMEAU D.14	KUGELGRIFF D.14
4	3019969	BOCCOLA 12/18/10,5 TEM- PRA+RINV. HRC44/46	BUSH 12/18/10,5	DOUILLE 12/18/10,5	BUCHSE 12/18/10,5
5	4399981	RONDELLA 12 (13x24x2,5) ZNT6592 (K)	WASHER 12 (13x24x2,5)	RONDELLE 12 (13x24x2,5)	BEILAGSSCHEIBE 12 (13x24x2,5)
6	4399434	VITE TE 12x20 8.8 ZNT 5739 (K)	SCREW 12x20	VIS 12x20	SCHRAUBE 12x20
7	3000078	PERNO SNODO PALO ORIZ- ZONTALE	HORIZONTAL ARM TRUNNION	PIVOT	DREHZAPFEN
8	3000079	RONDELLA D.51X16X8	WASHER D.51x16x8	RONDELLE D.51x16x8	BEILAGSSCHEIBE D.51x16x8
9	4399963	DADO AUTOBL.M16 BASSO.6S. 7474 (K)	SELF-LOCKING NUT M16	ECROU DE VERROUIL- LAGE M16	SELBSTSICHERNDE MUTTER M16
10	4399877	VITE TE 10x60 8.8 PF ZNT 5737 (K)	SCREW 10x60	VIS 10x60	SCHRAUBE 10x60
11	4399378	RONDELLA 10 (10,5x21x2) ZNT6592 (K)	WASHER D.10 (10,5x21x2)	RONDELLE D.10 (10,5x21x2)	UNTERLEGSSCHEIBE 10 (10,5x21x2)
12	4399786	VITE TE 10x30 8.8 ZNT 5739 TUTTO FILETTO (K)	SCREW 10x30	VIS 10x30	SCHRAUBE 10x30
13	4399967	DADO M10 6S BASSO ZNT 5589 (K)	NUT M10	ECROU M10	MUTTER M10
14	2036340	VOLANTINO	KNOB	POMMEAU	KNOPF
15	4399962	RASAMENTO ACCIAIO 40X65X0,5 (K)	STEEL SHIM 65x40x0,5	CALE EN ACIER 65x40x0,5	STAHLZWISCHENLAGE 65x40x0,5
16	7043723	BRACCIO ORIZZONTALE	HORIZONTAL ARM	BRAS HORIZONTAL	WAAGERECHTER ARM
17	4298972	POMOLO A PRESSIONE D.14	KNOB D.14	POIGNEE A" PRESSION D.14	DRUCKGRIFF D.14
18	2106664	LEVA BLOCC. B.O. -ZNT BIANCO	ARM LOCKING LEVER	LEVIER DE BLOCAGE BRAS	ARMSPERRHEBEL
19	3003378	DISTANZ. SUP. - BRUNIT. ALTO	SPACER	ENTRETOISE	DISTANZSTUECK
20	3006662R	CARENAT.PALO ORIZZ.MAXI *ROSSO	ARM FRAME *RED	BATI BRAS	ARMGESTELL
21	4398723	VITE TE 6x12 8.8 ZNT 5739 (K)	SCREW 6x12	VIS 6x12	SCHRAUBE 6x12
22	4399998	RONDELLA 6 (6,4x12x1,6) ZNT6592 (K)	WASHER 6 (6,4x12x1,6)	RONDELLE 6 (6,4x12x1,6)	UNTERLEGSSCHEIBE 6 (6,4x12x1,6)
23	4399298	VITE TCEI M 8x16 8.8 ZNT 5931 (K)	SCREW 8x16	VIS 8x16	SCHRAUBE 8x16
24	3038997	CAVALLOTTO BLOCCAGGIO BRACCIO - ZINC. B.	ARM LOCKING PLATE	CRAMPILLON BLO- CAGE BRAS	ARMBÜGELBOLZEN
25	4399900	DADO AUTOBL.M 8 BASSO 6.S 7474 (K)	SELF-LOCKING NUT M8- LOW.6S. 7474	ECROU DE VERROUIL- LAGE M8	SELBSTSPERRENDE MUTTER M8
26	4399133	VITE TCEI M 8x40 8.8 ZNT 5931 (K)	SCREW 8x40	VIS 8x40	SCHRAUBE 8x40
27	3043689	BRACCIO OPERANTE	OPERATING ARM	BRAS OPERATEUR	BEDIENUNGSARM
28	3001759	POMOLO BRACCIO OPERANTE	OPERATING ARM KNOB	POMMEAU BRAS OPERATEUR	MONTIERARMGRIFF
29	4399134	VITE TCEI M 8x30 8.8 ZNT 5931 (K)	SCREW 8x30	VIS 8x30	SCHRAUBE 8x30
30	3034633	MOLLA BILANCIAMENTO QX TAG 1100	BALANCE SPRING - TAG 1100	RESSORT D'EQUILI- BRAGE QX - TAG 1100	QX AUSWUCHTFEDER - TAG 1100
31	4399971	DADO AUTOBL.M10 BASSO.6S. 7474 (K)	SELF-LOCKING NUT M10	ECROU DE VERROUIL- LAGE M10	SELBSTSICHERNDE MUTTER M10
32	3041854	BARRA FILETTATA M10	THREADED BAR M10	BARRE TARAUDEE M10	GEWINDESTANGE M10
33	3002366	PIASTRA BL.BO ES.41 MAXI - ZNT VERDE	ARM LOCKING PLATE	PLAQUE BLOCAGE BRAS	ARMSPANNPLATTE
34	4398900	VITE OTTONE TE M10x25 5739 (K)	BRASS SCREW 10x25	VIS EN LAITON M10X25	MESSINGSCHRAUBE 10x25
35	30017974	COPERCHIO ANELLO AMMORTIZ.	SHOCK ABSORB. RING COVER	COUVERCLE BAGUE AMORTISSEUR	STOSSDAEMPFER- RINGDECKEL
36	3002601	AMMORTIZ. TORRETTA ES.41	MOUNTING TOOL SHOCK ABSORBER	AMORTISSEUR OUTIL DE MONTAGE	MONTIERWERKZEUGS- TOSSDAEMPFER
37	4399892	VITE TE 6x20 8.8 ZNT 5739 (S) (K)	SCREW 6x20	VIS 6x20	SCHRAUBE 6x20
38	4398848	RONDELLA 6 (6,6x18x1,5) ZNT6593 (K)	WASHER 6 (6,6x18x1,5)	RONDELLE 6 (6,6x18x1,5)	BEILAGSSCHEIBE 6 (6,6x18x1,5)
39	4399889	DADO M 6 6S ZNT 5588 (K)	NUT M6	ECROU M6	MUTTER M6



<b>Rif. Ref.</b>	<b>Codice Code</b>	<b>Descrizione Articolo</b>	<b>Description</b>
1	4297851	MANIGLIA A PONTE ABS PICCOLA (*)	HANDLE
2	3010284	POMOLO D.14x45 FORO M5 ZNT	KNOB D.14X45 M5
3	7043773	SUPPORTO VALVOLA	VALVE SUPPORT
5	4198285	VALVOLA 5 VIE CENTRI CHIUSI 368-905 (p)	5-WAY VALVE
6	4399829	RONDELLA 8 (8,4x16x1,5)ZNT6592	WASHER 8 (8,4x16x1,5)
7	4399954	VITE TCEI M 8x20 8.8 ZNT 5931 (S)	SCREW 8x20
8	4198618	RACCORDO 6522 1/8"-6 (90°-GIR.+ OR)	UNION 1/8"
9	4199610	SILENZIATORE 1 SFE 1/8" OTTONE C/RETE	SILENCER 1/8"
10	3017974	COPERCHIO ANELLO AMMORTIZ. ES.41 -LAV.	SHOCK ABSORB. RING COVER
11	3002601	AMMORTIZ. TORRETTA ES.41	MOUNTING TOOL SHOCK ABSORBER
12	4393957	VITE TSPEI 10X12 ZNT 5933	SCREW TSPEI 10X12 ZNT 5933
13	4398426	VITE STEI 12x16 P.CONICA 5927	SCREW 12x16
14	4398179	VITE STEI 12x12 P.CONICA 5927	SCREW 12x12
15	4399864	ANELLO SEEGER E D.12 7435	SEEGER RING D.12
16	4399228	VITE TE 10x25 10.9 ZNT 5739	SCREW 10x25
17	4395804	RONDELLA DIN6319 "G" 14,2x35x5 (*)	WASHER DIN6319 "G" 14,2x35x5
18	4395805	RONDELLA "C" 10,2x21x4 DIN6319 (*)	WASHER DIN6319 "C" 10,2x21x4
19	3019305NE	PATTINO POSTERIORE UT INTEGR-NEUTRO	TOOL BACK SLIDE - NEUTRAL COLOUR
20	3019210	PERNO BIELLA - CEMENTATO	CONNECTING ROD PIN
21	3019198	TORRETTA UTENSILE SENZA LEVA-NICH. CHIM.	TOUCHLESS MOUNTING TOOL
22	4393753	VITE TSPEI 5X10 12.9 5933 - UBK	SCREW TSPEI 5X10 12.9 5933
23	3031595	LINGUETTA FILETTATA QX	THREADED TAB
24	3019214	BIELLA UTENSILE - NICHEL. CHIM.	CONNECTING ROD
25	4399957	VITE STEI 6x8 P.COPPA 5929	SCREW 6x8 5929
26	3033743	UTENSILE FRESATO - NICHEL. CHIM.	MILLED TOOL
27	3019212	PERNO UTENSILE - CEMENTATO	TOOL PIN
28	3038757	LAMIERA PROTEZIONE ASOLA DISINSERIBILE X SCAT.FUSIONE - zinc.b.	SLOT COVER
29	4398961	VITE TE 8x45 8.8 ZNT 5739	SCREW 8x45
30	4399829	RONDELLA 8 (8,4x16x1,5)ZNT6592	WASHER 8 (8,4x16x1,5)
31	4399305	VITE TE 8x12 8.8 ZNT 5739	SCREW 8x12
32	4398146	RASAMENTO 24x30x1 (*)	STEEL SHIM 24x30x1
33	4399981	RONDELLA 12 (13x24x2,5)ZNT6592	WASHER 12 (13x24x2,5)
34	3017302	BOCCOLA 12/18/6,5-CRBNTR 02/03 HRC55/60	FERRULE 12/18/6,5
35	3019306NE	PATTINO ANTERIORE UT INTEGR-NEUTRO	TOOL FRONT SLIDE - NEUTRAL COLOUR
36	4293461	GIUNTO A SFERA SA 12 E	BALL JOINT SA 12 E
37	4398657	DADO M12 BASSO ZNT 5589	NUT M12
38	3036540c	STELO INFERIORE DISINSERIBILE TT - CROMATO	DISCONNECTABLE LOWER ROD
39	3040282	COPERCHIO SUPERIORE DISINSERIBILE X SCAT.FUSIONE - zinc.b.	UPPER COVER

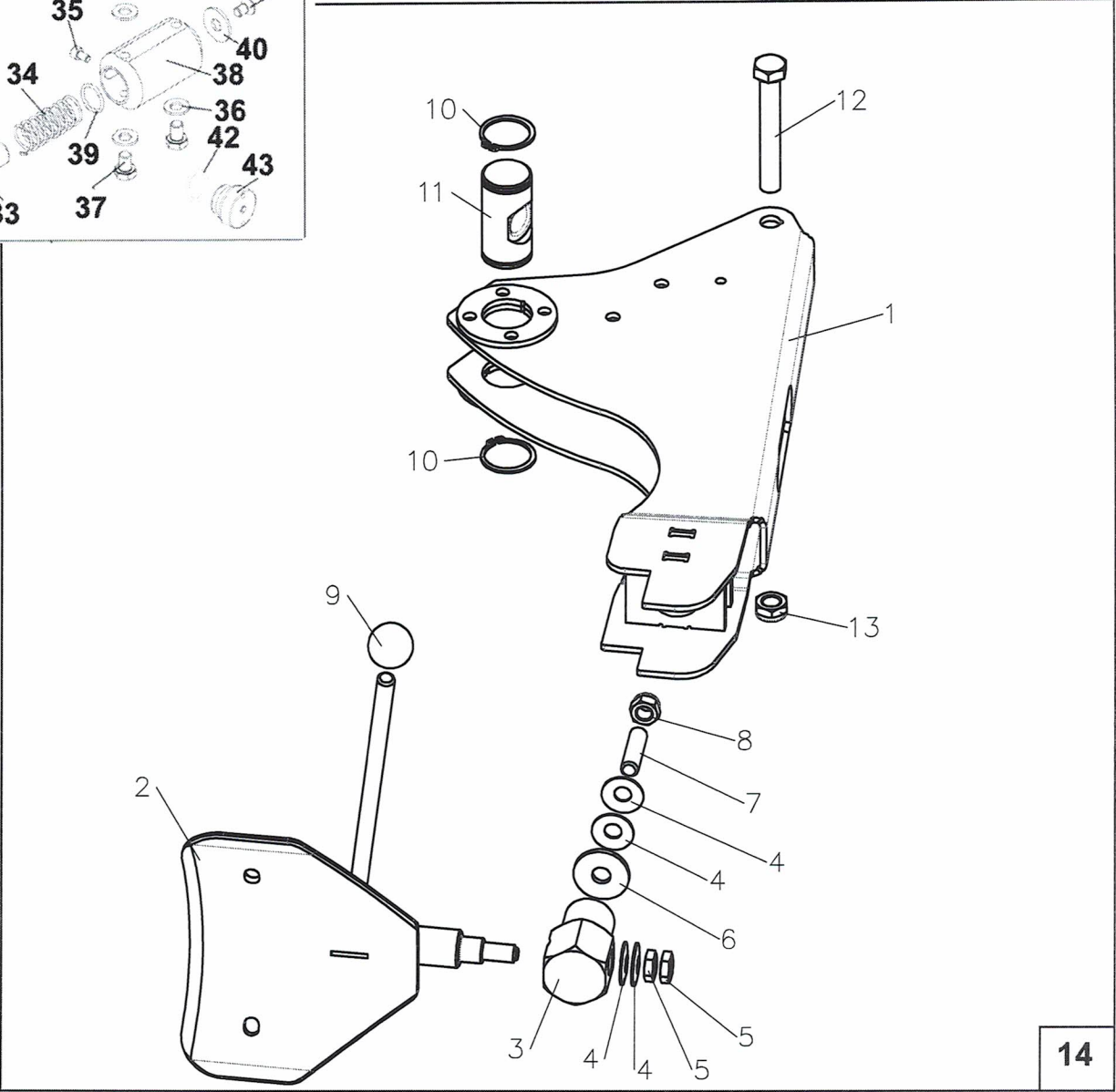
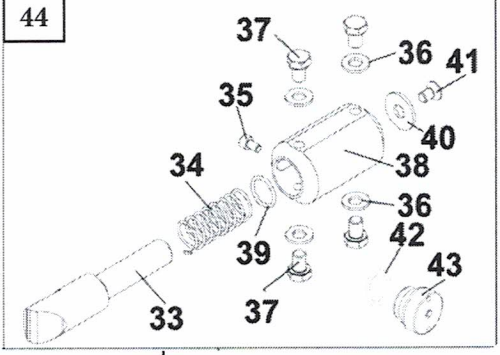
40	4398987	DADO AUTOBL.M 5 BASSO 6.S 7474	SELF-LOCKING NUT M5- LOW.6S. 7474
41	3038546	SCATOLA UTENSILE INTEGRATO UNIVERSALE - NICHEL.CHIM.	TOOL CASE
42	3036541	MANICOTTO REGOLAZIONE DISINSERIBILE TT - ZNT	ADJUSTING SLEEVE
43	3036543	VITE TCEI 10X20 TORNITA - ZNT	SCREW TCEI 10X20 TURNED
44	2036538	GR. CILINDRO QX DISINSERIBILE TT	QX CYLINDER
45	4395374	DADO A CALOTTA M8 ZNT 5721	NUT M8
46	4397941	VITE TCEI M12x60 12.9 PF 5931	SCREW 12x60
47	3033757	DISTANZIALE FILETTATO X CILINDRO UTENSILE	THREADED SPACER
48	4398944	MOLLA TAZZA 12,2x25x1,5	BELLEVILLE WASHER 12,2x25x1,5
49	3199599	ANELLO SEEGER I D.30 JV	SEEGER RING D.30
51	3000599	PERNO X CROC. M12 L=50 TCEI (12.9)	PIN M12 L=50
52	3015023	FLANGIA POSTER.D.75-PRF	CYLINDER BOTTOM END CAP D.75
53	4298822	ANELLO OR 842 D.68,26x3,53	O-RING D.68,26x3,53
54	4399865	DADO AUTOBL.M12 BASSO.6S. 7474	SELF-LOCKING NUT M12
55	4398753	RONDELLA 12,5x30x3 ZNT. (S)	WASHER D.12,5x30x3
56	4198856	PISTONE MONOBLOCCO TDUOP D.75	PISTON D.75
57	3034777	VITE SPECIALE M8x1,25x160 - ZNT	SPECIAL SCREW M8x1,25x160 - ZNT
58	3034845	CAMICIA CILINDRO UTENSILE L=126	CYLINDER LINER L=126
59	3036539c	STELO SUPERIORE DISINSERIBILE TT - CROMATO	DISCONNECTABLE UPPER ROD
60	3015024	FLANGIA ANTER.D.75-PRF	CYLINDER TOP END CAP
61	3199601	ANELLO RASCH.BID.L7 NSW 20 30 6/CO	SCRAPER RING
62	3015873	TUBO ELASTOLAN 6X4 L=150	ELASTOLAN HOSE 6X4 L=150
63	3012780	TUBO ELASTOLAN 6X4 L=330	HOSE D.6x4
64	4299168	ANELLO OR 3081 D.20,29x2,62	O-RING 20,29x2,62
65	2034899	GR. VALVOLA QX TAG 1100	QX VALVE
66	4393956	VITE TSPEI 5X6 10.9 5933	SCREW TSPEI 5X6 ZNT 5933
68	4297664	SFERA 5/16" D. 7,938 ACCIAIO	5/16" STEEL BALL
69	4293037	MOLLA A COMPRESSIONE MEC 27	SPRING MEC 27
70	4399998	RONDELLA 6 (6,4x12x1,6)ZNT6592	WASHER 6 (6,4x12x1,6)
71	4398723	VITE TE 6x12 8.8 ZNT 5739	SCREW 6x12
72	4399900	DADO AUTOBL.M 8 BASSO 6.S 7474	SELF-LOCKING NUT M8- LOW.6S. 7474
73	3036542	PIASTRINO FORATO - zinc.b.	DRILLED PLATE
74	4399976	DADO M 8 6S ZNT 5588	NUT M8
76	3030571	SPIRALE POLIUR. 6x4 NERA L=1500	POLYUR. SPIRAL HOES 6x4 L=1500
77	4194088	GIUNTO AD INNESTO RAP.MOD.5350-1/8 M	QUICK UNION
78	4198993	RACCORDO 6512 1/8"-6 S.R.(DIRITTO+OR)	QUICK UNION 1/8"
79	2036987	GR. RACCORDO RAPIDO MASCHIO ALIM. QX	QUICK FEEDING UNION - MALE - QX
80	4194089	GIUNTO AD INNESTO RAP.MOD.5053-1/8 F	QUICK UNION MOD.5053-1/8 F
81	3019607	PIASTRINO ATTACCO RAPIDO - ZNT	QUICK FASTENING PLATE
82	4198618	RACCORDO 6522 1/8"-6 (90°-GIR.+ OR)	UNION 1/8"
83	2036988	GR. RACCORDO RAPIDO FEMMINA ALIM. QX	QUICK FEEDING UNION - FEMALE - QX





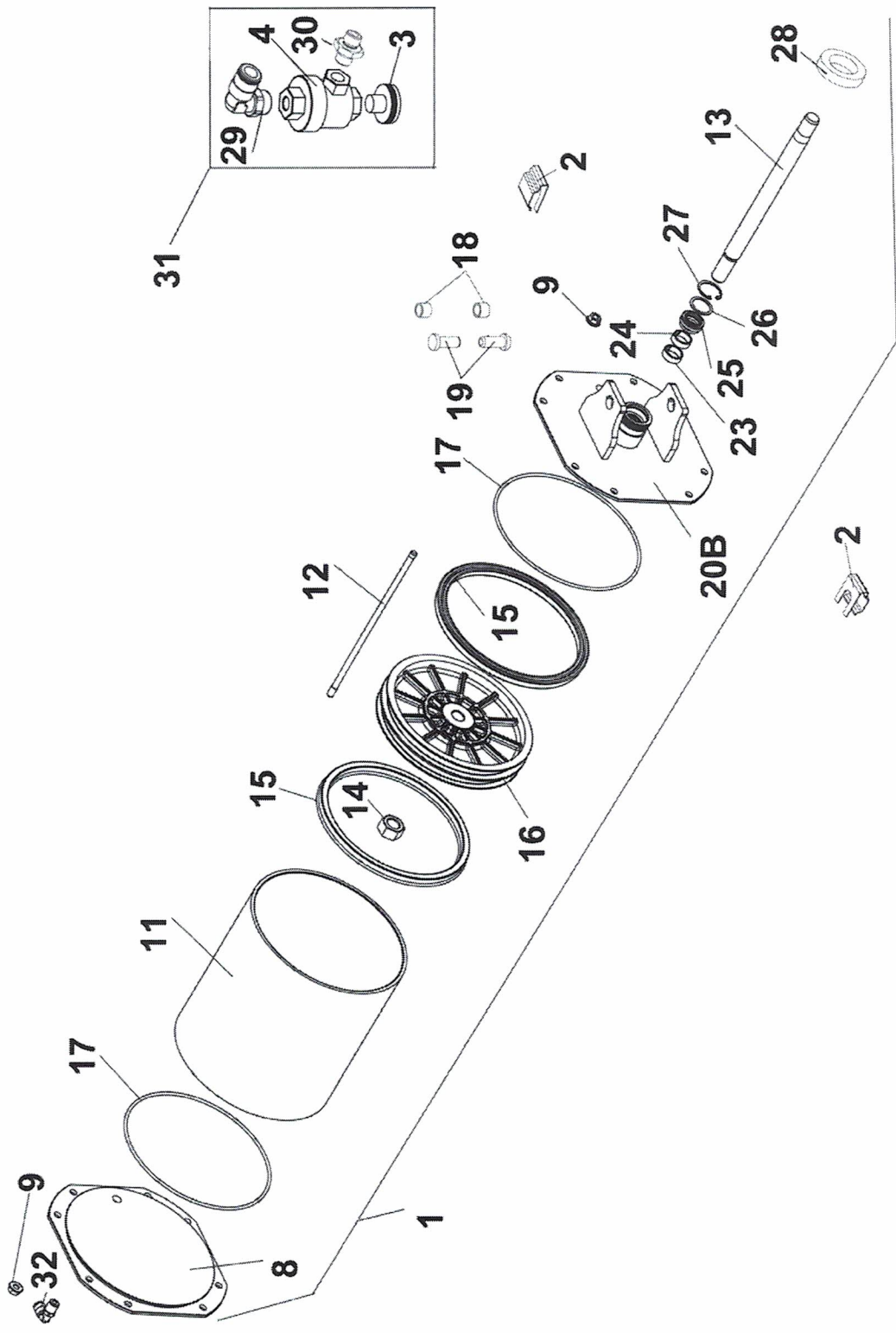
Rif. Ref.	Codice Code	Descrizione Articolo	Description	Description	Beschreibung
1	3002161	BASAMENTO PEDALIERA	PEDAL BOX BASE	BASE DU PEDALIER	PEDALSITZ
2	3003095	PERNO ALLIN.PED. L.336-ZNT B.	PIN L=336	AXE L=336	STIFT L=336
3	4399829	RONDELLA 8 (8,4x16x1,5)ZNT6592 (K)	WASHER 8 (8,4x16x1,5)	RONDELLE 8 (8,4X16X1,5)	UNTERLEGSSCHEIBE 8 (8,4x16x1,5)
4	4399946	VITE TE 8x16 8.8 ZNT 5739 (K)	SCREW 8x16	VIS 8x16	SCHRAUBE 8x16
5	4399864	ANELLO SEEGER E D.12 7435 (K)	SEEGER RING D.12	BAGUE SEEGER D.12	SEEGER-RING D.12
6	3018802	MOLLA RICH.PEDALE STALLONATORE	PEDAL RETURN SPRING	RESSORT RAPPEL PEDALE	RUECKZUGFEDER
7	2037050	GR. PEDALE COMANDO CILINDRO STALL. D.E. S228	BEAD BREAKER PEDAL ASSEMBLY	GR. PEDALE COMMANDE VER-IN DECOLL. D.E. S228	WULSTABDR. ZYLINDERPEDAL D.E. S228
8	4399999	VITE TCEI M 6x25 8.8 ZNT 5931 (S) (K)	SCREW 6x25	VIS 6x25	SCHRAUBE 6x25
9	3002159	PEDALE COM. AUTOC./STALL. ALL.	CONTROL PEDAL	PEDALE DE COMMANDE	STEUERPEDAL
10	3002157	PEDALE COM.INVERT. ALL.	CONTROL PEDAL	PEDALE DE COMMANDE	STEUERPEDAL
11	4399892	VITE TE 6x20 8.8 ZNT 5739 (S) (K)	SCREW 6x20	VIS 6x20	SCHRAUBE 6x20
12	4397649	VITE TE 6x50 8.8 PF ZNT 5737 (K)	SCREW 6x50 8.8 PF ZNT 5737	VIS 6x50	SCHRAUBE 6x50
13	3007953	BOCCOLA D.18x12,5x20,5 PED.INV.	BUSH 18x12,5x20,5	DOUILLE D.18X12,5X20,5	BUECHSE D.18X12,5X20,5
14	3017116	MOLLA COMANDO PEDALE INV. D.3,5 S225	PEDAL CONTROL SPRING	RESSORT COMMANDE PEDALE	PEDALENSTEUERUNGSVENTIL
15	4399889	DADO M 6 6S ZNT 5588 (K)	NUT M6	ECROU M6	MUTTER M6
16	4399893	DADO AUTOBL.M 6 BASSO.6S. 7474 (*) (K)	SELF-LOCKING NUT M6	ECROU DE VERROUILLAGE M6	SELBSTSICHERNDE MUTTER M6
17	2006040	CAVETTO TERRA SMTG AUTO L=500	EARTHING CABLE	CABLE DE TERRE	MASSEKABEL
18	4398848	RONDELLA 6 (6,6x18x1,5)ZNT6593 (K)	WASHER 6 (6,6x18x1,5)	RONDELLE 6 (6,6x18x1,5)	BEILAGSSCHEIBE 6 (6,6x18x1,5)
19	4399892	VITE TE 6x20 8.8 ZNT 5739 (S) (K)	SCREW 6x20	VIS 6x20	SCHRAUBE 6x20
20	4399996	DADO M 4 6S ALTO ZNT 5587 (K)	NUT M4	ECROU M4	MUTTER M4
21	4399703	ROND. DEN.ES."A" 4,3x8x0,5 ZNT (*) (K)	TOOTHED WASHER 4,3x8x0,5	RONDELLE DENTEE 4,3x8x0,5	ZAHNSCHEIBE 4,3X8X0,5
22	4399905	VITE TE 4x12 8.8 ZNT 5739 (K)	SCREW 4x12	VIS 4x12	SCHRAUBE 4x12
23	3015342	STAFFA X SUPPORTO INVERT.-ZNT	SUPPORT	SUPPORT	STUETZE
25	3000175	LEVA INVERTITTORE	REVERSER SWITCH LEVER	LEVIER INVERSEUR	WENDERHEBEL
26	4398999	VITE AUTOETCIC 3,5x13 AB6954 ZNT (K)	SELF-TAPPING SCREW 3,5x13	VIS AUTOTARADEUSE 3,5x13	BLECHSCHRAUBE 3,5x13
27	4399044	VITE TCEI M 3x12 12.9 5931 (K)	SCREW 3x12	VIS 3x12	SCHRAUBE 3x12
28	4599986	BLOCCAPASSAC. D.9 art.SR.6L-1	CABLE HOLDER D9	PASSE-CABLE D.9	KABELDURCHGANG D.9
29	4399998	RONDELLA 6 (6,4x12x1,6)ZNT6592 (K)	WASHER 6 (6,4x12x1,6)	RONDELLE 6 (6,4x12x1,6)	UNTERLEGSSCHEIBE 6 (6,4x12x1,6)
30	4398273	VITE AUTOE. TCEI 5,5x19 ZNT (K)	SELF-TAPPING SCREW 5,5x19	VIS AUTOTARADEUSE 5,5x19	BLECHSCHRAUBE 5,5x19
31	4398723	VITE TE 6x12 8.8 ZNT 5739 (K)	SCREW 6x12	VIS 6x12	SCHRAUBE 6x12
32	4595380	INVERTIT. 32A SONTHEIMER WAB842/325	REVERSER 32A SONTHEIMER	INVERSEUR 32A SONTHEIMER	UMSCHALTER 32A SONTHEIMER
33	2015455	GR.INVERT.1PH 25A NEW CAVO+SPINA	REVERSER UNIT 1PH 25A NEW	GR. INVERSEUR 1PH 25A NEW	WENDER 1PH 25A NEW
34	3015345	PROTEZIONE X INVERT. SONTHEIMER	REVERSER COVER	PROTECTION INVERSEUR	WENDERSCHUTZ
35	4596081	SPINA + CAVO CSA-UL 15A 125V	PLUG + CABLE CSA-UL 15A 125V P620	FICHE + CABLE CSA-UL 15A 125V P620	STECKER + KABEL CSA-UL 15A 125V P620
36	4398273	VITE AUTOE. TCEI 5,5x19 ZNT (K)	SELF-TAPPING SCREW 5,5x19	VIS AUTOTARADEUSE 5,5x19	BLECHSCHRAUBE 5,5x19
37	2031214	GR. REGOLATORE DI PRESSIONE 4.2	PRESSURE REGULATOR 4.2	REGULATEUR DE PRESSION 4.2	DRUCKREGLER 4.2
38	4197027	RIPETT.PRESS.1/4 - 4 +/-0,2 bar	PRESSURE REPEATER 1/4"	REPETITEUR DE PRESSION 1/4"	"DRUCKWIEDERHOLER 1/4""
39	4198954	RACCORDO 6512 1/8"-8 S.R. (DIRITTO+OR)	QUICK UNION 6512 1/8" -8 S.R.	RACCORD RAPIDE 1/8"	"SCHNELLANSCHLUSS 1/8""
40	2002444	GR.VALVOLA LINEA SENZA PERNO	VALVE UNIT WITHOUT PIN	GROUPE SOUPAPE SANS AXE	VENTILGRUPPE OHNE STIFT
41	2019522	GR. VALVOLA GT CROSSAGE	GT VALVE	SOUPAPE GT	GT VENTIL
42	3002442	PERNO X VALVOLA GRIFFE/RIBALT.	VALVE PIN	AXE SOUPAPE	VENTILSTIFT
44	3019466	PERNO VALVOLA GT CROSSAGE	GT VALVE PIN	AXE SOUPAPE GT	GT VENTILSTIFT
45	4398783	SPINA ELASTICA D.4x24 6874 (*) (K)	ELASTIC PIN D.4x24	CHEVILLE ELASTIQUE D.4x24	FEDERSTIFT D.4x24
46	4398999	VITE AUTOETCIC 3,5x13 AB6954 ZNT (K)	SELF-TAPPING SCREW 3,5x13	VIS AUTOTARADEUSE 3,5x13	BLECHSCHRAUBE 3,5X13
47	3001585	FLANGIA X VALVOLA 3001583	FLANGE	BRIDE	FLANSCH
48	3001584	DISTANZIALE X VALVOLA 3001583	SPACER	ENTRETOISE	DISTANZSTUECK
49	4299000	ANELLO OR 9,8x3,85	O-RING 9,8x3,85	JOINT OR 9,8x3,85	O-RING 9,8x3,85
50	3001583	VALVOLA DISTRIB. SENZA CHIAVET	DISTRIBUTION VALVE	SOUPAPE DISTRIBUTION	VENTIL
51	4199161	TAPPO MASCHIO 2611 1/8"	1/8" PLUG	BOUCHON 1/8"	"VERSCHRAUBUNG 1/8""
52	4196214	RACCORDO 6520 1/8"-8	UNION 6520 1/8"	RACCORD 1/8"	"ANSCHLUSS 1/8""
55	2043865	GR. PEDALIERA 2 PEDALI	COMPL. PEDAL UNIT-2 PEDALS	PEDALIER COMPLET	KOMPL. PEDALGRUPPE

44

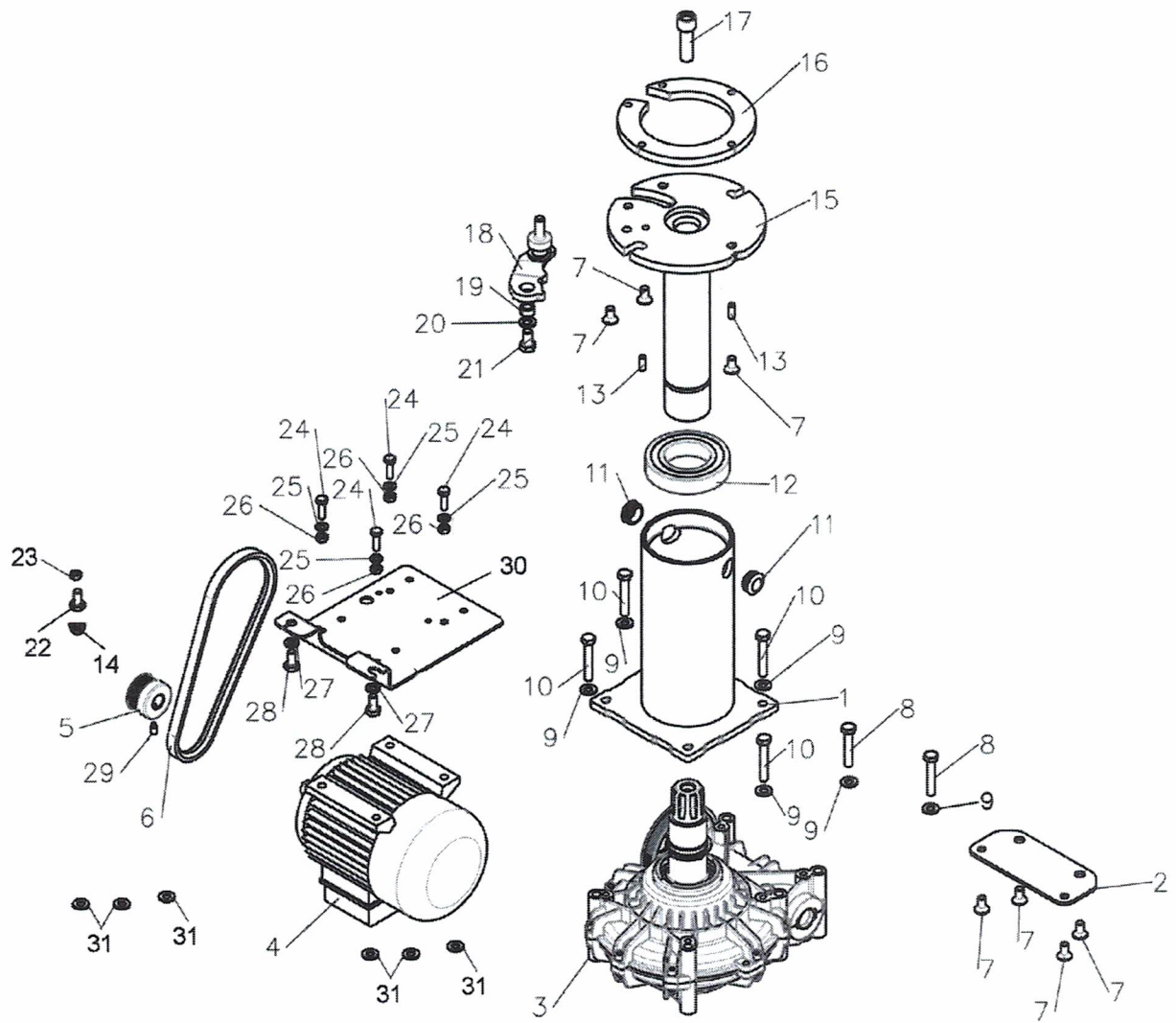


14

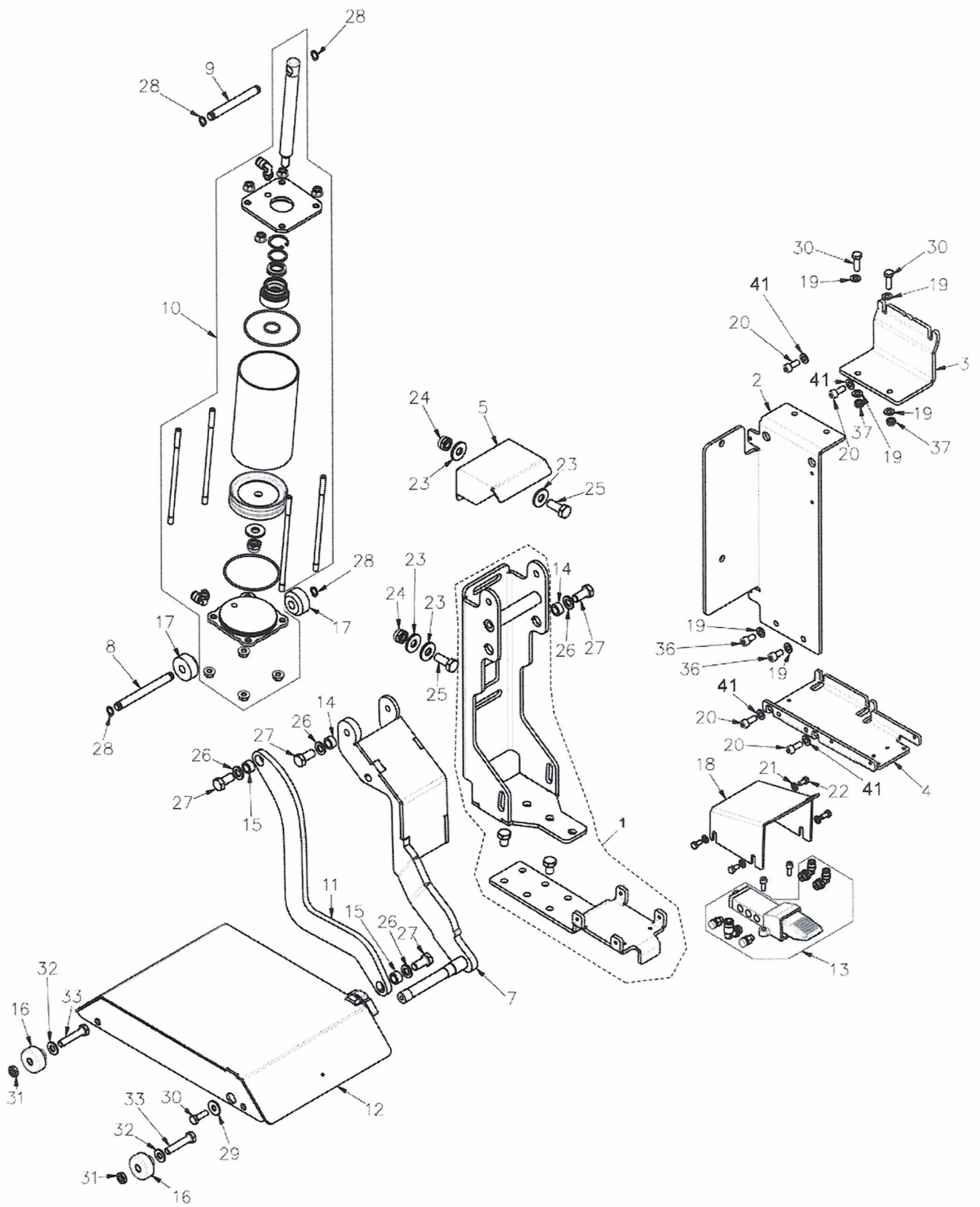
<b>Rif. Ref.</b>	<b>Codice Code</b>	<b>Descrizione Articolo</b>	<b>Description</b>	<b>Description</b>	<b>Beschreibung</b>
1	7043423	BRACCIO STALLONATORE S228 SENZA REGOLAZIONI	BEAD BREAKER ARM W/O ADJUSTMENT SELECTORS	BRAS DECOLLE-TALONS SANS SELECTEURS	WULSTABDRUCK-ARM OHNE EINSTELLUNG-WÄHLER
2	7035371	PALETTA STALLONATORE COMPL	BEAD BREAKER SHOVEL - COMPLETE	PELLE DECOLLE-TALONS - COMPLETE	KOMPLETTE WULSTABDRÜCKSSCHAUFEL
3	3037077	PERNO SNODO PALETTA S228 - ZNT B.	SHOVEL PIVOT PIN	AXE ARTICULATION PELLE	SCHAUFEL-DREHZAPFEN
4	4398899	MOLLA TAZZA 14,3x34x1,5 (K)	BELLEVILLE SPRING 14,3x34x1,5	RESSORT BELLEVILLE 14,3x34x1,5	BELLEVILLE FEDER 14,3x34x1,5
5	4396941	DADO M14 6S BASSO ZNT 5589 (K)	NUT M14	ECROU M14	MUTTER M14
6	3037086	RONDELLA SPEC.STALL. ( 15X45X4 )	BEAD BREAKER SPECIAL WASHER	RONDELLE SPECIALE DECOLLEUR	WULSTABDRÜCKER-SONDERUNTERLEGSCHEIBE
7	4395247	VITE STEI 14x50 P.P UNI 5923 (K)	SCREW STEI 14x50 P.P UNI 5923	VIS STEI 14x50 P.P UNI 5923	SCHRAUBE STEI 14x50 P.P UNI 5923
8	4399949	DADO AUTOBL.M14 BASSO.6S. 7474 (*) (K)	SELF-LOCKING NUT M14	ECROU DE VERROUILLAGE M14	SELBSTSICHERNDE MUTTER M14
9	4299952	POMOLO D.14	KNOB D.14	POMMEAU D.14	KUGELGRIFF D.14
10	4398178	ANELLO SEEGER E D.40 7435 (K)	SEEGER RING D.40	BAGUE SEEGER D.40	SEEGER RING D.40
11	3043422	PERNO ORIENTABILE UNIFICATO D.40 - FOSF. MANGANESE	PIVOT PIN D.40	PIVOT D.40	DREHZAPFEN D.40
12	4399945	VITE TE 16x100 8.8 PF ZNT 5737 (K)	SCREW 16x100	VIS 16x100	SCHRAUBE 16x100
13	4399963	DADO AUTOBL.M16 BASSO.6S. 7474 (K)	SELF-LOCKING NUT M16	ECROU DE VERROUILLAGE M16	SELBSTSICHERNDE MUTTER M16
14	2043427	GRUPPO BRACCIO STALLONATORE S228 SENZA REGOLAZIONI	BEAD BREAKER ARM	BRAS DECOLLE-TALONS	WULSTABDRÜCKER
33	3033018	RISCONTRO SCORREVOLE - FOSFATAZ. MANGANESE	SLIDE	AXE COULISSANT	SCHLITTEN
34	3033047	MOLLA POWER OUT	BEAD BREAKER STOP SPRING	RESSORT ARRET DECOLLEUR	WULSTABDRÜCKANHALTFEDER
35	4399964	VITE TCEI M 6x10 8.8 ZNT 5931 (K)	SCREW 6x10	VIS 6x10	SCHRAUBE 6x10
36	4399378	RONDELLA 10 (10,5x21x2) ZNT6592 (K)	WASHER D.10 (10,5x21x2)	RONDELLE D.10 (10,5x21x2)	UNTERLEGSSCHEIBE 10 (10,5x21x2)
37	4399824	VITE TE 10x14 8.8 ZNT 5739 (K)	SCREW 10x14	VIS 10x14	SCHRAUBE 10x14
38	3033017	GUIDA RISCONTRO SCORREVOLE - ZNT	SLIDE GUIDE	GUIDE AXE COULISSANT	SCHLITTENFÜHRUNG
39	4299168	ANELLO OR 3081 D.20,29x2,62	O-RING 20,29x2,62	JOINT OR D.20,29x2,62	O-RING 20,29x2,62
40	4398994	RONDELLA 10 (11x30x2,5)6593-C ZNT (K)	WASHER D.10 (11x30x2,5)	RONDELLE 10 (11X30X2,5)	BEILAGSSCHEIBE 10 (11x30x2,5)
41	4398746	VITE TSPEI M 8x14 10.9 ZNT 5933	SCREW TSPEI M 8x14 10.9 ZNT 5933	VIS 8x14	SCHRAUBE 8x14
42	4297585	ANELLO OR 4061 D.15,47x3,53	O-RING D.15,47x3,53	JOINT TORIQUE D.15,47x3,53	O-RING D.15,47x3,53
43	3033019	FERMO RISCONTRO - CARBONITRURATO	SLIDE STOP	ARRET AXE COULISSANT	SCHLITTENANHALT
44	9233104	KIT POWER OUT	POWER OUT KIT	KIT POWER OUT	POWER OUT KIT



<b>Rif. Ref.</b>	<b>Codice Code</b>	<b>Descrizione</b>	<b>Description</b>
1	2038743	GR.CILINDRO STALL. D. 200	BEAD BREAKER CYLINDER D.200
2	3009012	MOLLA A CLIPS	SPRING
3	4198808	SILENZIATORE 1/4" SPEC. D.24	SILENCER 1/4"
4	4199201	VALVOLA SCARICO RAPIDO DA 1/4"	QUICK RELIEF VALVE 1/4"
8	3038694	FLANGIA POSTERIORE CILINDRO	REAR FLANGE
9	4398007	DADO FLANGIATO M6 ZNT DIN 6923	FLANGED NUT M6
11	3038744	CAMICIA CILINDRO STALLONATORE	CYLINDER LINER
12	3038746	TIRANTE CILINDRO STALL.	CYLINDER TIE ROD
13	3031738	ASTA CIL. STALL. S.E. D 200 (SHA)	CYLINDER SHAF
14	4394969	DADO M18x1,5 MEDIO 5588 ZNT	NUT M18x1,5
15	4193622	GUARNIZIONE 198X180X12	SEAL 198X180X12
16	3035724	PISTONE CILINDRO STALL.	CYLINDER PISTON
17	4293448	ANELLO OR 4750 D.190,1X3,53	O-RING D.190,1X3,5
18	3038052	BOCCOLA PER CILINDRO STALL.	DOUILLE
19	3009017	PERNO FULCRO CIL. STALL.	CYLINDER TRUNNION
20	2138745	FLANGIA ANTERIORE CILINDRO	FRONT FLANGE
23	4298823	FASCIA DI GUIDA ASTA CILINDRO	NYLON GUIDE
24	4299168	ANELLO OR 3081 D.20,29x2,62	O-RING 20,29x2,62
25	3199601	ANELLO RASCH.BID.L7 NSW 20 30	SCRAPER
26	4398146	RASAMENTO 24x30x1	STEEL SHIM 24x30x1
27	3199599	ANELLO SEEGER I D.30 JV	SEEGER RING D.30
28	3031744	AMMORTIZZATORE D. 21X70X5	SHOCK-ABSORBER D.21X70X5
29	4192639	RACC. 6522 1/4"-8 (90° GIR) CORTO	UNION 1/4 SHORT THREAD
30	4199726	NIPPLO 1/4" ART.2500	NIPPLE 1/4"
31	2039162	GR.VALVOLA SCARICO RAPIDO	VALVE GROUP
32	4198883	RACCORDO S6500 1/4"-8 S.RAPIDO	QUICK UNION 1/4"



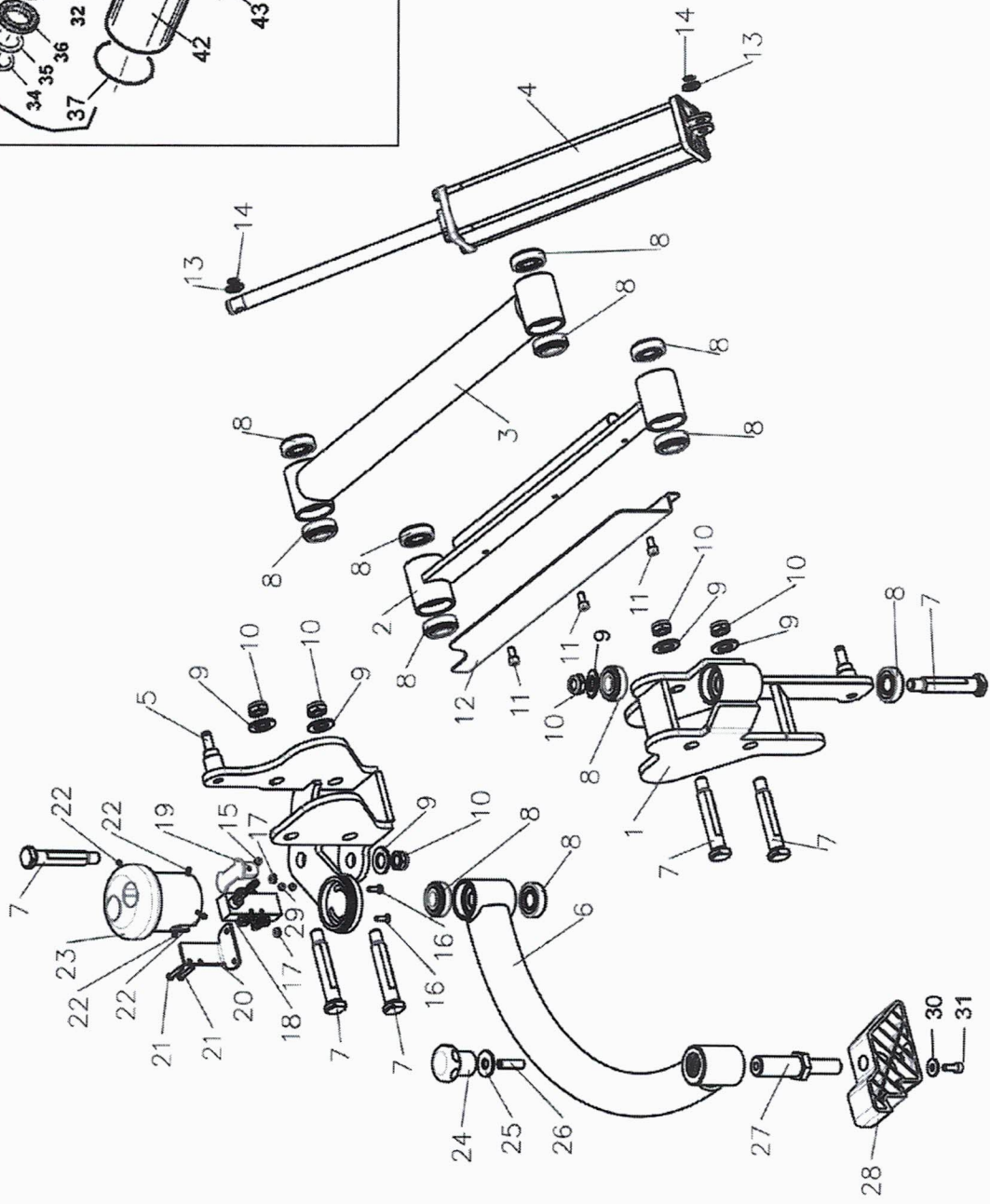
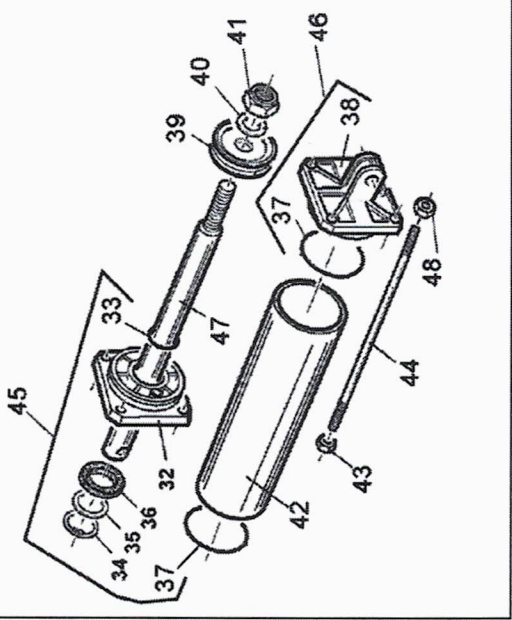
Rif. Ref.	Codice Code	Descrizione	Description	Description	Beschreibung
1	7018063	SUPPORTO CUSCINETTO AUSILIARIO	BEARING SUPPORT	SUPPORT DE COUSSINET	LAGERHALTER
2	3036098	ORECCHIA ATTACCO NERVATURA - zinc.b.	COUPLING TAB	PLAQUETTE DE FIXATION	BEFESTIGUNGSPLATTE
3	2041711	GR. RIDUTTORE	REDUCTION GEAR UNIT	GR. REDUCTEUR	REDUKTORAGGREGAT
4	4592151	MOTORE 1 PH 115 V 60 HZ	MOTOR 1 PH 115 V 60 HZ	MOTEUR 1 PH 115 V 60 HZ	MOTOR 1 PH 115 V 60 HZ
5	3011263	PULEGGIA MOTORE SMTG A.60Hz DE50	MOTOR PULLEY	POULIE MOTEUR	MOTORSCHLEIBE
6	4296813	CINGHIA PV 610 J6	BELT PV 610 J6	COURROIE	RIEMEN
7	4399120	VITE TSPEI M10x20 10.9 ZNT 5933 (K)	SCREW TSPEI M10x20 10.9 ZNT 5933	VIS 10x20	SCHRAUBE 10X20
8	4393520	VITE TE 10x55 8.8 ZNT 5739	SCREW TE 10x55 8.8 ZNT 5739		SCHRAUBE TE 10x55 8.8 ZNT 5739
9	4399378	RONDELLA 10 (10,5x21x2) ZNT6592 (K)	WASHER D.10 (10,5x21x2)	RONDELLE D.10 (10,5x21x2)	UNTERLEGSSCHLEIBE 10 (10,5x21x2)
10	4399877	VITE TE 10x60 8.8 PF ZNT 5737 (K)	SCREW 10x60	VIS 10x60	SCHRAUBE 10x60
11	4293336	TAPPO COPRITUBO ILTB 30X0,8-2,5	PLUG ILTB 30X0,8-2,5	BOUCHON ILTB 30X0,8-2,5	VERSCHLUSSSCHRAUBE ILTB 30X0,8-2,5
12	4296945	CUSCINETTO 6212 2RS 60x110x22	BEARING 60X110X22	COUSSINET 60X110X22	UNTERLAGE 60X110X22
13	3199580	SPINA ELASTICA D. 8 X 20 (K)	ELASTIC PIN D.8x20	CHEVILLE ELASTIQUE D.8x20	FEDERSTIFT D.8x20
14	3000164	PUNTALE PER TENDICINGHIA	SHOE	EMBOUT	DRUCKSTUECK
15	2133266	MANDRINO RAPIDO LT 299 - SABB+BRUN.	QUICK HAND CHUCK	MANDRIN RAPIDE MANUEL	SCHNELLSPANNFUTTER
16	3018727	FLANGIA ADATTATRICE QUEEN-SABB.+BRUNT.	ADAPTOR FLANGE	FLASQUE D'ADAPTATION	ADAPTERFLANSCH
17	4393981	VITE TCEI M16x1,5x45 8.8 5931 (grezze) (K)	SCREW TCEI M 16x1,5x45	VIS TCEI M 16x1,5x45	SCHRAUBE TCEI M 16x1,5x50 - ZNT
18	2118670	ANTIROTAZIONE QUEEN - ZNT VERDE	ANTIROTATION DEVICE	PIECE ANTIROTATION	DREHSCHUTZSTUECK
19	3000108	DISTANZIALE BIELLA D.12X18X11,5	CONNECTING ROD SPACER 12x18x11,5	ENTRETOISE 12x18x11,5	DISTANZSTUECK 12x18x11,5
20	4398637	RONDELLA 12x21x2,5 UNI1750 ZNT (K)	WASHER D.12x21x2,5 UNI1750	RONDELLE D.12x21x2,5 UNI1750	UNTERLEGSSCHLEIBE D.12x21x2,5 UNI1750
21	4398582	VITE TE 12x25 8.8 ZNT 5739 (K)	SCREW 12x25	VIS 12x25	SCHRAUBE 12x25
22	4399951	VITE TE 10x35 8.8 ZNT 5739 (K)	SCREW 10x35	VIS 10x35	SCHRAUBE 10x35
23	4399967	DADO M10 6S BASSO ZNT 5589 (K)	NUT M10	ECROU M10	MUTTER M10
24	4398947	VITE TE 8x35 8.8 PF ZNT 5737 (K)	SCREW 8x35	VIS 8x35	SCHRAUBE 8x35
25	4399863	RONDELLA 8 (9x24x2) ZNT 6593 (K)	WASHER 8 (9x24x2)	RONDELLE 8 (9x24x2)	BEILAGSSCHLEIBE 8 (9x24x2)
26	4399900	DADO AUTOBL.M 8 BASSO 6.S 7474 (K)	SELF-LOCKING NUT M8-LOW.6S. 7474	ECROU DE VERROUIL-LAGE M8	SELBSTSPERRENDE MUTTER M8
27	4398662	ROND.GROWER D.10 (10,5x17,5x2,2) ZNT 1751 (K)	GROWER WASHER D.10	RONDELLE GROWER D.10	BEILAGSSCHLEIBE GROWER D.10
28	4399228	VITE TE 10x25 10.9 ZNT 5739 (K)	SCREW 10x25	VIS 10x25	SCHRAUBE 10x25
29	4399922	VITE STEI 8x14 P.CIL. 5925 (K)	SCREW 8x14 5925	VIS 8x14	SCHRAUBE 8x14
30	3000149	SUPPORTO MOTORE - ZNT BIANCO	MOTOR SUPPORT	SUPPORT MOTEUR	MOTORLAGER
31	3000181	RONDELLA AMM. MOTORE	WASHER	RONDELLE	BEILAGSSCHLEIBE



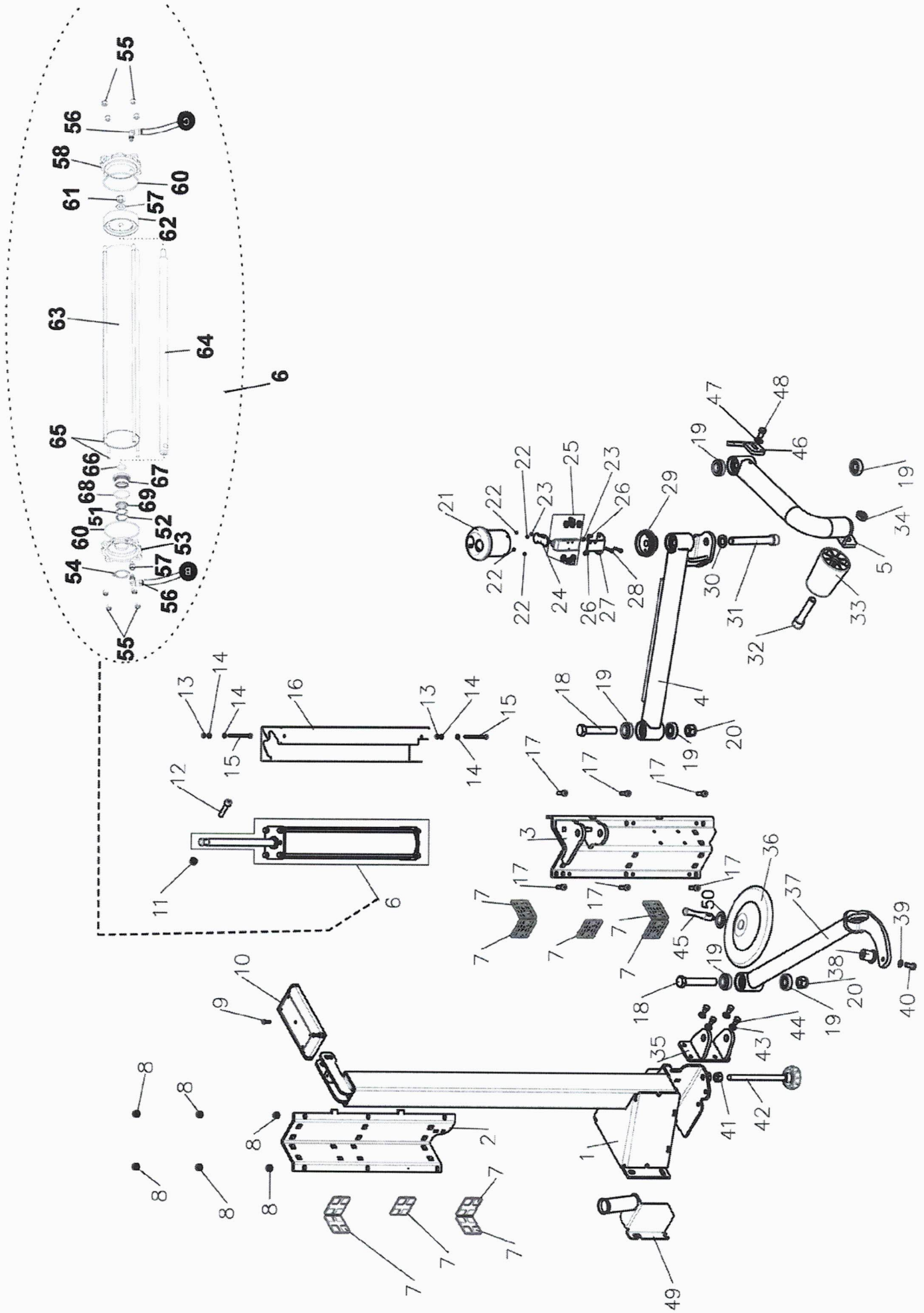


<b>Rif. / Ref.</b>	<b>Codice / Code</b>	<b>Descrizione</b>	<b>Description</b>
1	2043757	BASAMENTO LIFT UNIVERSALE VERN - VERN NERO FONDO ZNT	LIFT BASE FRAME
2	7043363	PANTOGRAFATO ATTACCO CARCASSA LIFT UNIVERSALE - VERN NERO FONDO ZNT	FASTENING PLATE ATTACHING WHEEL LIFTER TO CHASSIS - BLACK
3	7043364	PANTOGRAFATO ATTACCO CARCASSA LIFT UNIVERSALE SUPERIORE - VERN NERO FONDO ZNT	UPPER FASTENING PLATE ATTACHING WHEEL LIFTER TO CHASSIS - BLACK
4	7043366	PANTOGRAFATO ATTACCO CARCASSA LIFT UNIVERSALE INFERIORE - VERN NERO FONDO ZNT	LOWER FASTENING PLATE ATTACHING WHEEL LIFTER TO CHASSIS - BLACK
5	7042669	CARTER SOLLEVATORE VERN - NERO	COVER - BLACK
7	7040896	BRACCIO LIFT VERN - VERN NERO FONDO ZNT	WHEEL LIFTER ARM - BLACK
8	3036283	PERNO LUNGO LIFT - zinc.b.	LONG PIN
9	3036284	PERNO CORTO LIFT - zinc.b.	SHORT PIN
10	2041791	GR. CILINDRO LIFT XBOSS	XBOSS LIFT CYLINDER UNIT
11	7036159	BIELLA BILANCIAMENTO LIFT VERN - VERN NERO FONDO ZNT	LIFT BALANCING CONNENTING ROD
12	7040897	PEDANINA LIFT CHIUSA VERN - NERO	WHEEL LIFTER PLATFORM – BLACK
13	2036377	GR. VALVOLA SOLLEVATORE 1120	LIFT VALVE TAG 1120 NEW
14	3006880	DISTANZIALE BIELLA UNIF.12x18x9	SPACER
15	3019969	BOCCOLA 12/18/10,5 TEMPRA+RINV. HRC44/46	BUSH 12/18/10,5
16	3014633	DISTANZIALE PALO V.233-TEKNOFORM AH100/2	ARM SPACER V.233-TEKNOFORM AH100/2
17	3041931	BOCCOLA CILINDRO SOLLEVATORE - ZINC. B.	LIFTER CYLINDER BUSHING
18	7039143	PROTEZIONE PEDALE GONFIAGGIO SEM-AUT VERN - NERO	PEDAL COVER – BLACK
19	4399829	RONDELLA 8 (8,4x16x1,5)ZNT6592	WASHER 8 (8,4x16x1,5)
20	4399954	VITE TCEI M 8x20 8.8 ZNT 5931	SCREW 8x20
21	4399998	RONDELLA 6 (6,4x12x1,6)ZNT6592	WASHER 6 (6,4x12x1,6)
22	4398723	VITE TE 6x12 8.8 ZNT 5739	SCREW 6x12
23	4398753	RONDELLA 12,5x30x3 ZNT. (S)	WASHER D.12,5x30x3
24	4399865	DADO AUTOBL.M12 BASSO.6S. 7474	SELF-LOCKING NUT M12
25	4399982	VITE TE 12x30 8.8 ZNT 5739	SCREW 12x30
26	4398637	RONDELLA 12x21x2,5 UNI1750 ZNT	WASHER D.12x21x2,5 UNI1750
27	4398582	VITE TE 12x25 8.8 ZNT 5739	SCREW 12x25
28	4399864	ANELLO SEEGER E D.12 7435	SEEGER RING D.12
29	4399863	RONDELLA 8 (9x24x2) ZNT 6593	WASHER 8 (9x24x2)
30	4399935	VITE TE 8x25 8.8 ZNT 5739	SCREW 8X25
31	4399967	DADO M10 6S BASSO ZNT 5589	NUT M10
32	4399378	RONDELLA 10 (10,5x21x2)ZNT6592	WASHER D.10 (10,5x21x2)
33	4399933	VITE TE 10x50 8.8 PF ZNT 5737 (S)	SCREW 10x50
36	4399298	VITE TCEI M 8x16 8.8 ZNT 5931	SCREW 8x16
37	4399900	DADO AUTOBL.M 8 BASSO 6.S 7474	SELF-LOCKING NUT M8- LOW.6S. 7474
41	4398626	ROND.DENT.CON.D.10(10,5x16x1,2)ZNT	TOOTHED WASHER D.10

4

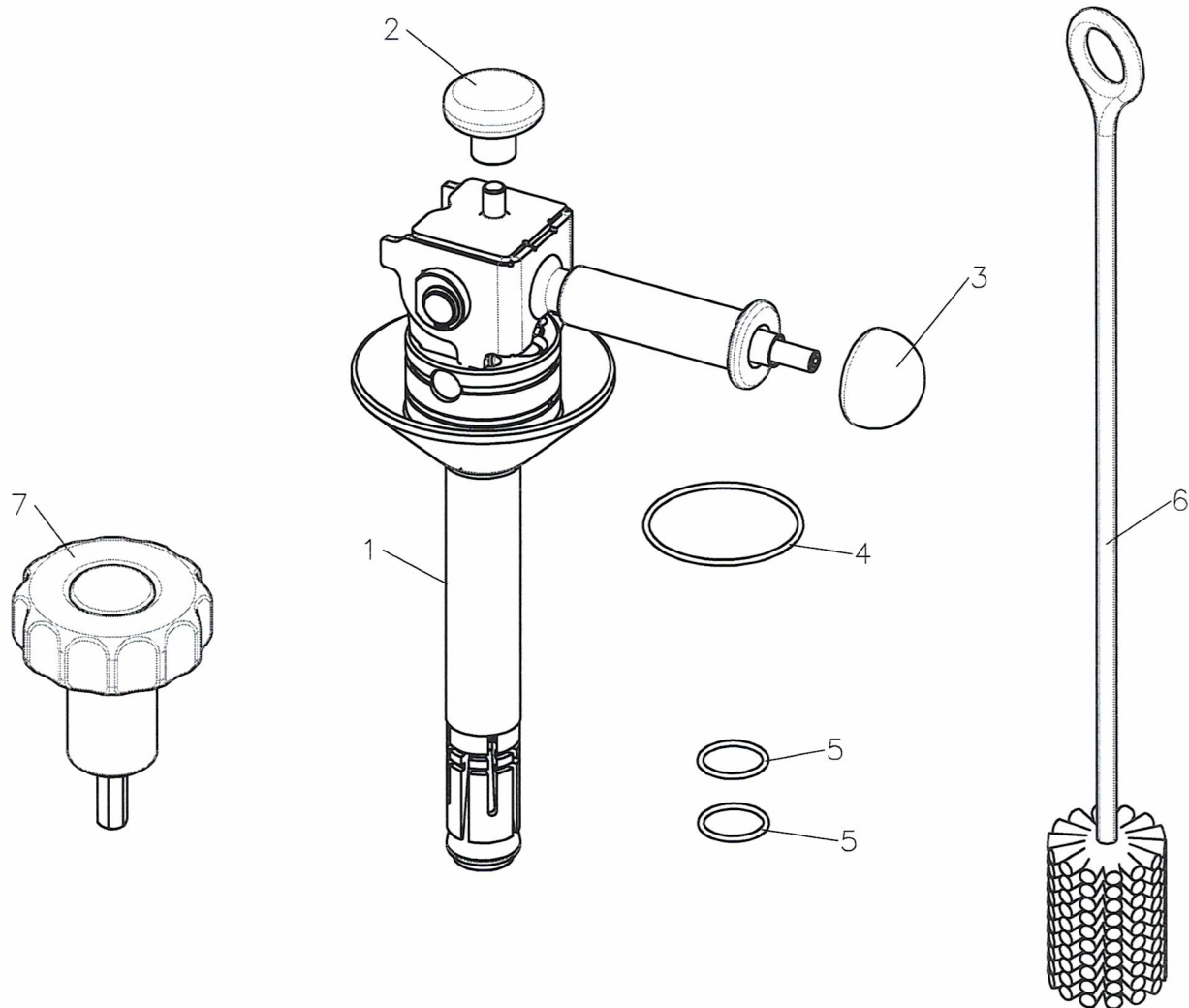


Rif. Ref.	Codice Code	Descrizione	Description	Description	Beschreibung
1	7043925	BOCCOLA FISSAGGIO PALO	ARM FIXING BUSH	DOUILLE	BUCHSE
2	7043932	BRACCIO DRITTO INFERIORE	LOWER STRAIGHT ARM	BRAS DROIT INFERIEUR	UNTERER GERADER ARM
3	7043929	BRACCIO DRITTO	LOWER STRAIGHT	BRAS DROIT	GERADER ARM
4	2033767	GR.CILINDRO AUT.20" INT.	20" TURNTABLE CYLINDER	VERIN CENTREUR 20"	ZENTRIERTISCHZYLINDER 20"
5	7043934	STAFFA FISSAGGIO POMOLO	KNOB FASTENING BRACKET	SUPPORT DE FIXATION POMMEAU	BEFESTIGUNGSHALTERUNG
6	7019749	BRACCIO SUP. CURVO D.60 HP2 - NERO	CURVE ARM D.60 HP2 - BLACK	BRAS COURBE D.60 HP2 - NOIR	GEBOGENER ARM D.60 HP2 - SCHWARZ LACKIERT
7	3042013	PERNO CON ANTIROTAZIONE - FOSFATAZIONE MANGANESE	PIN WITH ANTI-ROTATION	GUJON AVEC ANTI-ROTATION	STIFT MIT VERDREHSICHERUNG
8	4296944	CUSCINETTO RULLI CONICI 30204	BEARING	COUSSINET	LAGER
9	4399813	RONDELLA 20 (21x37x3) ZNT 6592 (K)	WASHER 20 (21x37x3)	RONDELLE 20 (21x37x3)	BEILAGSSCHEIBE 20 (21x37x3)
10	4399963	DADO AUTOBL.M16 BASSO.6S. 7474 (K)	SELF-LOCKING NUT M16	ECROU DE VERROUILLAGE M16	SELBSTSICHERNDE MUTTER M16
11	4399298	VITE TCEI M 8x16 8.8 ZNT 5931 (K)	SCREW 8x16	VIS 8x16	SCHRAUBE 8x16
12	7043942	LAMIERA PROTEZIONE BRACCIO	PROTECTIVE COVER	TOLE DE PROTECTION	SCHUTZBLECH
13	4399981	RONDELLA 12 (13x24x2,5)ZNT6592 (K)	WASHER 12 (13x24x2,5)	RONDELLE 12 (13x24x2,5)	BEILAGSSCHEIBE 12 (13x24x2,5)
14	4399864	ANELLO SEEGER E D.12 7435 (K)	SEEGER RING D.12	BAGUE SEEGER D.12	SEEGER-RING D.12
15	4398987	DADO AUTOBL.M 5 BASSO.6S 7474 (K)	SELF-LOCKING NUT M5- LOW.6S. 7474	ECROU DE VERROUILLAGE M5	SELBSTSICHERNDE MUTTER M5
16	4398321	VITE TSPEI M 6x20 10.9 ZNT 5933	SCREW TSPEI M 6x20 10.9 ZNT 5933	VIS 6x20	SCHRAUBE 6x20
17	4399893	DADO AUTOBL.M 6 BASSO.6S. 7474 (*) (K)	SELF-LOCKING NUT M6	ECROU DE VERROUILLAGE M6	SELBSTSICHERNDE MUTTER M6
18	2006996	GR.VALVOLA HELP-PRESS ARM	VALVE UNIT FOR HELP & PRESS ARM	SOUPAPE POUR HELP & PRESS ARM	VENTIL FÜR HELP-PRESS ARM
19	2140540	PULSANTE SALDATO - ZINC. B.	WELDED BUTTON		GESCHWEISSTE DRUCK-KNOPF
20	3040539	STAFFA VALVOLA PER POMOLO - ZINC. B.	KNOB VALVE BRACKET		KNOPF-VENTILHALTERUNG
21	4399898	VITE TE 4x30 8.8 PF ZNT 5737 (K)	SCREW 4x30	VIS 4x30	SCHRAUBE 4x30
22	4397013	VITE STEI 6x5 P.P. 5923 (K)	SCREW STEI 6x5 5923	VIS 6x5	SCHRAUBE 6x5
23	6240536	POMOLO CILINDRO PA VERN - ROSSO CORSA "BS"	CYLINDER KNOB - RED	POMMEAU VERIN - ROUGE	ZYLINDERKNAUF
24	6242434	POMOLO A FUNGO HP4 VERN - ROSSO	MUSHROOM-SHAPED HANDLE	POMMEAU CHAMPIGNON	PILZFÖRMIGER HANDGRIF
25	4398263	RONDELLA 12,5x48x3 SPEC. ZNT (K)	WASHER D.12,5x48x3	RONDELLE D.12,5x48x3	BEILAGSSCHEIBE D.12,5x48x3
26	4398709	VITE STEI 12x40 P.P. 5923	SCREW 12x40	VIS 12x40	SCHRAUBE 12x40
27	3043941	PENRO FISSAGGIO TAMPONE	BEAD PRESSING TOOL FASTENING PIN	GOUJON DE FIXATION PRESSE TALON	SICHERUNGSSTIFT
28	3017440	PREMITALLONE HP2	BEAD PRESSING TOOL	PRESSE TALON	WULSTDRUECKER
29	4399895	DADO AUTOBL.M 4 BASSO.6S. 7474 (K)	SELF-LOCKING NUT M4	ECROU DE VERROUILLAGE M4	SELBSTSICHERNDE MUTTER M4
30	4399863	RONDELLA 8 (9x24x2) ZNT 6593 (K)	WASHER 8 (9x24x2)	RONDELLE 8 (9x24x2)	BEILAGSSCHEIBE 8 (9x24x2)
31	4399954	VITE TCEI M 8x20 8.8 ZNT 5931 (K)	SCREW 8x20	VIS 8x20	SCHRAUBE 8x20
32	3015024	FLANGIA ANTER.D.75-PRF	FLANGE	BRIDE	FLANSCH
33	4299168	ANELLO OR 3081 D.20,29x2,62	O-RING 20,29x2,62	JOINT OR D.20,29x2,62	O-RING 20,29x2,62
34	3199599	ANELLO SEEGER I D.30 JV (K)	SEEGER RING D.30	BAGUE SEEGER D.30	SEEGER-RING D.30
35	4398146	RASAMENTO 24x30x1 (*) (K)	STEEL SHIM 24x30x1	CALE EN ACIER 24x30x1	STAHLZWISCHENLAGE 24x30x1
36	3199601	ANELLO RASCH.BID.L7 NSW 20 30 6/CO	SCRAPER RING	SEGMENT RACLEUR	KRATZSCHEIBE
37	4298822	ANELLO OR 842 D.68,26x3,53	O-RING D.68,26x3,53	JOINT OR D.68,26x3,53	O-RING D.68,26x3,53
38	3015023	FLANGIA POSTER.D.75-PRF	FLANGE	BRIDE	FLANSCH
39	4198856	PISTONE MONOBLOCCO TDUOP D.75	PISTON D.75	PISTON D.75	KOLBEN D.75
40	4399981	RONDELLA 12	WASHER 12	RONDELLE 12	BEILAGSSCHEIBE 12
41	4399865	DADO AUTOBL.M12 BASSO.6S. 7474 (K)	SELF-LOCKING NUT M12	ECROU DE VERROUILLAGE M12	SELBSTSICHERNDE MUTTER M12
42	3033768	CAMICIA CIL. 20" L=348	CYLINDER LINER 20" L=348	CHEMISE VERIN 20" L=348	"ZYLINDERLAUFBUCHSE 20"" - L= 348"
43	4397678	DADO FLANGIATO M8 ZNT DIN 6923 (K)	FLANGED NUT M8	ECROU BORDE" M8	FLANSCHMUTTER M8
44	3037667	VITE SPECIALE TE M8x1,25x375 PER AUTOCENTRANTE 20"	SPECIAL SCREW TE M8x1,25x375	VIS SPECIALE TE M8x-1,25x375	SONDERSCHRAUBE TE M8x-1,25x375
45	2015177	GR. FLANGIA ANT. CIL.PN. D.75	CYLINDER TOP END CAP D.75	BRIDE AVANT (SUPERIEURE) DU VERIN D.75	VORDERFLANSCH D.75
46	2015178	GR. FLANGIA POST.CIL.PN. D.75	CYLINDER BOTTOM END CAP D.75	BRIDE ARRIERE DU VERIN D.75	ZYLINDER HINTERER FLANSCH D.75
47	3002901	ASTA CILINDRO AUT.20" L=400 ZNT	CYLINDER ROD 20" L=400	TIGE VERIN 20" L=400	"ZYLINDERSTANGE 20"" L=400"
48	4399976	DADO M 8 6S ZNT 5588 (K)	NUT M8	ECROU M8	MUTTER M8

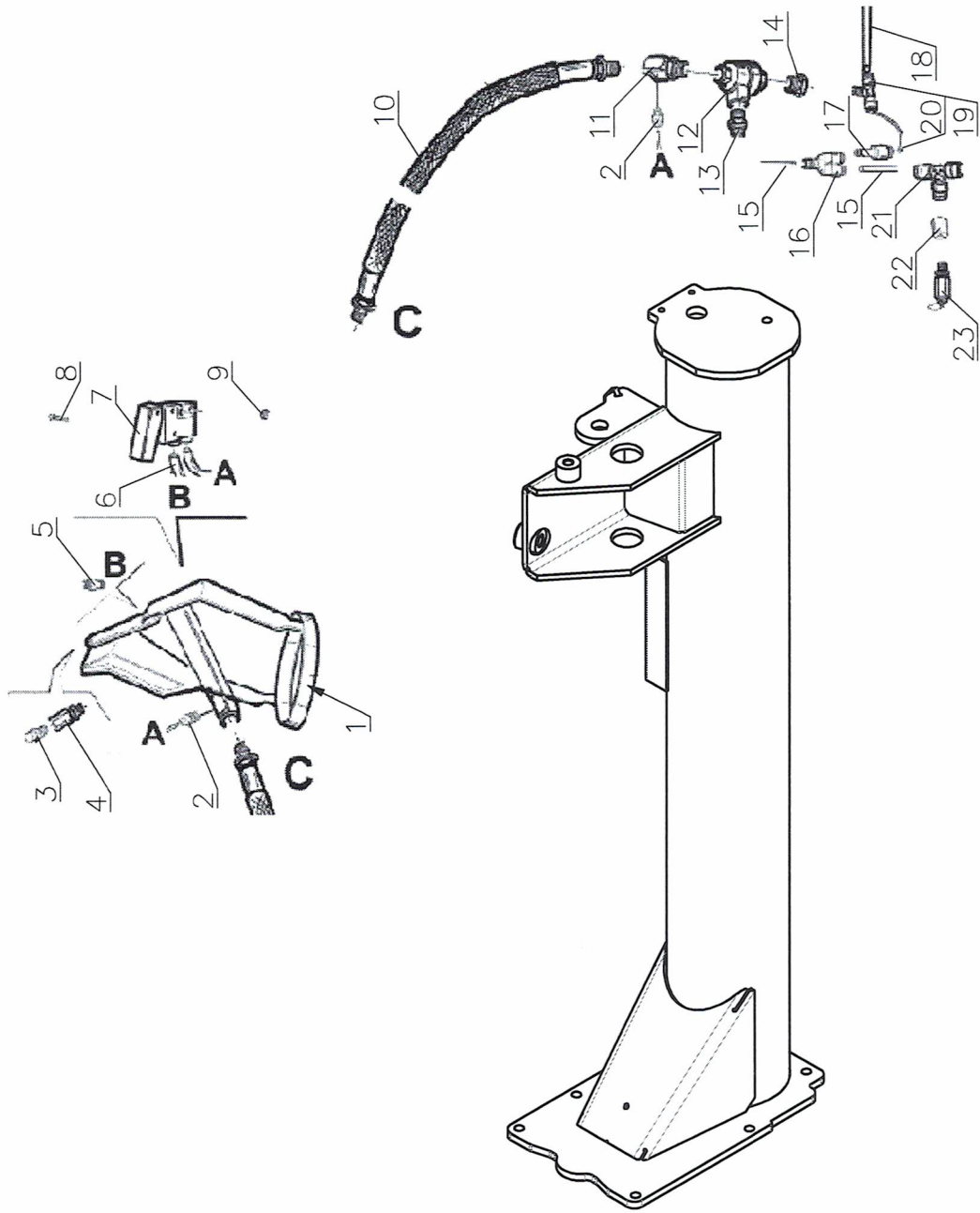


Rif. Ref.	Codice Code	Descrizione	Description	Description	Beschreibung
1	7019610	BASE HP2-SABB.+VERN.FONDO ZNT NERO	HP2 BASE FRAME		HP2 GRUNDRAHMEN
2	7043766	CARRELO INTERNO	INNER CARRIAGE	CHARIOT INTERIEUR	INNENSCHLITTEN
3	7042431	CARRELO ESTERNO SALDATO - NERO	OUTER CARRIAGE	CHARIOT EXTERIEUR	AUSSENSCHLITTEN
4	7042432	BRACCIO DRITTO HELP 120 - NERO	STRAIGHT ARM	BRAS DROIT	GERADER ARM
5	7043669	BRACCIO FISSAGGIO RULLO	ROLLER TOOL SUPPORT ARM	BRAS DE SUPPORT OUTIL À ROULEAU	ROLLENWERKZEUG STÜTZARM
6	2034900	GR. CILINDRO D.90 HP 2	CYLINDER UNIT D.90 HP 2	GR. VERIN D.90 HP 2	ZYLINDERSATZ D.90 HP 2
7	3019627	PATTINO HP 2	SLIDING BLOCK	PATIN	GLEITSCHUH
8	4399971	DADO AUTOBL.M10 BASSO.6S. 7474 (K)	SELF-LOCKING NUT M10	ECROU DE VERROUILLAGE M10	SELBSTSICHERNDE MUTTER M10
9	4399890	VITE TCEI M 6x20 8.8 ZNT 5931 (*) (K)	SCREW 6x20	VIS 6x20	SCHRAUBE 6x20
10	6242449	COPERTURA CONSOLE HELP 120 VERN - ROSSO	HELP 120 COVER - RED	COUVERTURE -ROUGE	ABDECKUNG - ROT
11	4399865	DADO AUTOBL.M12 BASSO.6S. 7474 (K)	SELF-LOCKING NUT M12	ECROU DE VERROUILLAGE M12	SELBSTSICHERNDE MUTTER M12
12	3000599	PERNO X CROC. M12 L=50 TCEI (12.9)	PIN M12 L=50	AXE M12 L=50	STIFF M12 L=50
13	4399893	DADO AUTOBL.M 6 BASSO.6S. 7474 (*) (K)	SELF-LOCKING NUT M6	ECROU DE VERROUILLAGE M6	SELBSTSICHERNDE MUTTER M6
14	4399998	RONDELLA 6 (6,4x12x1,6)ZNT6592 (K)	WASHER 6 (6,4x12x1,6)	RONDELLE 6 (6,4x12x1,6)	UNTERLEGSSCHEIBE 6 (6,4x12x1,6)
15	4392194	VITE TCEI M 6x110 8.8 PF ZNT 5931	SCREW TCEI M 6x110 8.8 PF ZNT 5931	VIS TCEI M 6x110 8.8 PF ZNT 5931	SCHRAUBE TCEI M 6x110 8.8 PF ZNT 5931
16	7042361	LAMIERA COPRICILINDRO - NERO	CYLINDER COVER - BLACK	COUVERTURE VERIN - NOIR	ZYLINDERHAUBE - SCHWARZ
17	4393900	VITE TCEI M10x30 8.8 ZNT 5931 (K)	SCREW TCEI 10x30 8.8 ZNT 5931	VIS TCEI 10x30 8.8 ZNT 5931	SCHRAUBE TCEI 10x30 8.8 ZNT 5931
18	4393899	VITE TE 20X120 8.8 P.F.ZNT5737 (K)	SCREW TE 20X120 8.8 P.F. ZNT 5737	VIS TE 20X120 8.8 P.F. ZNT 5737	SCHRAUBE TE 20X120 8.8 P.F. ZNT 5737
19	4296944	CUSCINETTO RULLI CONICI 30204	BEARING	COUSSINET	LAGER
20	4394164	DADO AUTOBL.M20 BASSO H.20 7474/DIN	SELF-LOCKING NUT M20 LOW H.20 7474	ECROU DE SECURITE M20 H.20 7474	SELBSTSICHERNDE MUTTER M20 H.20 7474
21	6240536	POMOLO CILINDRO PA VERN - ROS-SO CORSA "BS"	CYLINDER KNOB - RED	POMMEAU VERIN - ROUGE	ZYLINDERKNAUF
22	4397013	VITE STEI 6x5 P.P. 5923 (K)	SCREW STEI 6x5 5923	VIS 6x5	SCHRAUBE 6x5
23	4398987	DADO AUTOBL.M 5 BASSO 6.S 7474 (K)	SELF-LOCKING NUT M5-LOW.6S. 7474	ECROU DE VERROUILLAGE M5	SELBSTSICHERNDE MUTTER M5
24	2140540	PULSANTE SALDATO - ZINC. B.	WELDED BUTTON		Geschweisste Druckknopf
25	2006996	GR.VALVOLA HELP-PRESS ARM	VALVE UNIT FOR HELP & PRESS ARM	SOUPAPE POUR HELP & PRESS ARM	VENTIL FÜR HELP-PRESS ARM
26	4399300	VITE TCEI M 6x12 8.8 ZNT 5931 (K)	SCREW 6x12	VIS 6x12	SCHRAUBE 6x12
27	3040539	STAFFA VALVOLA PER POMOLO - ZINC. B.	KNOB VALVE BRACKET		KNOPF-VENTILHALTERUNG
28	4394045	VITE TE 5x30 8.8 ZNT 5739 (K)	SCREW TE 5x30 8.8 ZNT 5739	VIS TE 5x30 8.8 ZNT 5739	SCHRAUBE TE 5x30 8.8 ZNT 5739
29	3042433	ATTACCO VALVOLA BRACCIO DRITTO HELP 120 - FOSFAT.MANGANESSE	VALVE CONNECTION	CONNEXION CLAPET	VENTILVERBINDUNG
30	4399813	RONDELLA 20 (21x37x3) ZNT 6592 (K)	WASHER 20 (21x37x3)	RONDELLE 20 (21x37x3)	BEILAGSSCHEIBE 20 (21x37x3)
31	4393902	VITE TCEI M20x160 12.9 5931	SCREW TCEI 20x160 12.9 5931	VIS TCEI 20x160 12.9 5931	SCHRAUBE TCEI 20x160 12.9 5931
32	4397454	VITE TCEI M20x90 8.8 ZNT 5931 (S) (K)	SCREW 20x90	VIS 20x90	SCHRAUBE 20x90
33	3008433	RULLO ST.D.100 L120 NYLON NERO	ROLLER D.102 L=120	GALET D.102 L=120	ROLLE D.102 L=120
34	4399810	DADO M20 6S BASSO ZNT 5589 (K)	NUT M20	ECROU M20	MUTTER M20
35	7042444	STAFFA SGANCIABILE FISSAGGIO DISCO SALDATA - NERO	DISK TOOL BRACKET	SUPPORT DE FIXATION DU DISQUE	BEFESTIGUNGSBÜGEL
36	3006886	DISCO STALLONATORE	BEAD BREAKING DISK	DISQUE DECOLLE-TALONS	WULSTABDRUECKPLATTE
37	2419751	BRACCIO DISCO INFERIORE HP2	LOWER DISK ARM	BRAS DE DISQUE IN-FÉRIEUR	UNTERER SCHEIBE-ARM
38	3006862	PERNO SUP.DISCO ST.BRUNITO	DISK PIN	AXE DISQUE	PLATTENSTIFT
39	4399378	RONDELLA 10 (10,5x21x2)ZNT6592 (K)	WASHER D.10 (10,5x21x2)	RONDELLE D.10 (10,5x21x2)	UNTERLEGSSCHEIBE 10 (10,5x21x2)
40	4399228	VITE TE 10x25 10.9 ZNT 5739 (K)	SCREW 10x25	VIS 10x25	SCHRAUBE 10x25
41	4393548	DADO M16 ALTO GREZZO - 5587	NUT M16 HIGH ROUGH - 5587	ECROU M16	MUTTER M16 HÖHE ROH -5587
42	2036341	VOLANTINO M16 L=280	HANDWHEEL	VOLANT	HANDRAD
43	4399378	RONDELLA 10 (10,5x21x2)ZNT6592 (K)	WASHER D.10 (10,5x21x2)	RONDELLE D.10 (10,5x21x2)	UNTERLEGSSCHEIBE 10 (10,5x21x2)
44	4399824	VITE TE 10x14 8.8 ZNT 5739 (K)	SCREW 10x14	VIS 10x14	SCHRAUBE 10x14
45	2012683	GR.IMPUGNATURA+VITE STEI M10	HANDLE+SCREW	POIGNEE+VIS	HANDGRIFF+SCHRAUBE
46	7043701	STAFFA FERMO BRACCIO	ARM STOP PLATE	PLAQUE D'ARRET	SPERRPLAETTCHEN

Rif. Ref.	Codice Code	Descrizione	Description	Description	Beschreibung
47	4399981	RONDELLA 12 (13x24x2,5) ZNT6592 (K)	WASHER 12 (13x24x2,5)	RONDELLE 12 (13x24x2,5)	BEILAGSSCHEIBE 12 (13x24x2,5)
48	4399434	VITE TE 12x20 8.8 ZNT 5739 (K)	SCREW 12x20	VIS 12x20	SCHRAUBE 12x20
49	7043802	SUPPORTO SMART LOCK	SMART LOCK SUPPORT	SUPPORT SMART LOCK	SMART LOCK STUETZE
50	4395669	RONDELLA 10 (11x40x2,5) ZNT6592	WASHER 10 (11x40x2,5)	RONDELLE 10 (11x40x2,5)	BEILAGSSCHEIBE 10 (11x40x2,5)
51	4398146	RASAMENTO 24x30x1 (*) (K)	STEEL SHIM 24x30x1	CALE EN ACIER 24x30x1	STAHLZWISCHENLAGE 24x30x1
52	3199599	ANELLO SEEGER I D.30 JV (K)	SEEGER RING D.30	BAGUE SEEGER D.30	SEEGER-RING D.30
53	3034901	TESTATA ANT CIL HP2 Ø90 LAVORATA DAL PIATTO 100x12 - ZNT	CYLINDER TOP END CAP	BRIDE AVANT (SU- PERIEURE) DU VERIN	FLANSCH
54	4394721	ANELLO SEEGER E D.36 7435 (K)	SEEGER RING D.36 7435	JOINT SEEGER D.36 7435	SEEGER RING D.36 7435
55	4395374	DADO A CALOTTA M8 ZNT 5721 (K)	NUT M8	ECROU M8	MUTTER M8
56	4198618	RACCORDO 6522 1/8"-6 (90°- GIR.+ OR)	UNION 1/8"	RACCORD 1/8"	"ANSCHLUSS 1/8""
57	4398753	RONDELLA 12,5x30x3 ZNT. (S) (K)	WASHER D.12,5x30x3	RONDELLE D.12,5x30x3	UNTERLEGSSCHEIBE D.12,5x30x3
58	2134902	FLANGIA POSTERIORE CIL. D.90-ZNT	CYLINDER BOTTOM END CAP D.90	BRIDE ARRIERE DU VERIN D.90	ZYLINDER HINTERER FLANSCH D.90
60	4293965	ANELLO OR 3325 82,22X2,62	ORING 3325 82,22X2,62	JOINT TORIQUE 3325 82,22X2,62	ORING 3325 82,22X2,62
61	4399865	DADO AUTOBL.M12 BASSO.6S. 7474 (K)	SELF-LOCKING NUT M12	ECROU DE VERROUIL- LAGE M12	SELBSTSICHERNDE MUT- TER M12
62	4193964	PISTONE MONOBLOCCO TDUOP D.90	PISTON D.90	PISTON D.90	KOLBEN D.90
63	3034909	CAMICIA CILINDRO Ø90 HP2 TESTATE LAVORATE	UPPER CYLINDER LINER D.90 HP2	CHEMISE VERIN SU- PERIEUR D.90 HP2	OBERZYLINDERMANTEL D.90 HP2
64	3006649	ASTA CIL. HELP 2/3 L=561 ZNT	CYLINDER ROD L=561	TIGE VERIN L=561	ZYLINDERSTANGE L=561
65	3034910	VITE SPECIALE M8 L=521	SPECIAL SCREW M8 L=521	VIS SPECIALE M8 L=521	SONDERSCHRAUBE M8 L=521
66	4299168	ANELLO OR 3081 D.20,29x2,62	O-RING 20,29x2,62	JOINT OR D.20,29x2,62	O-RING 20,29X2,62
67	3035997	BOCCOLA GUARNIZIONI	SEALS BUSH	DOUILLE DE JOINTS	DICHTUNGSBUECHSE
68	4294713	ANELLO OR 3150 37,77x2,62	ORING 3150 37,77x2,62	JOINT TORIQUE 3150 37,77x2,62	ORING 3150 37,77x2,62
69	3199601	ANELLO RASCH.BID.L7 NSW 20 30 6/CO	SCRAPER RING	SEGMENT RACLEUR	KRATZSCHEIBE

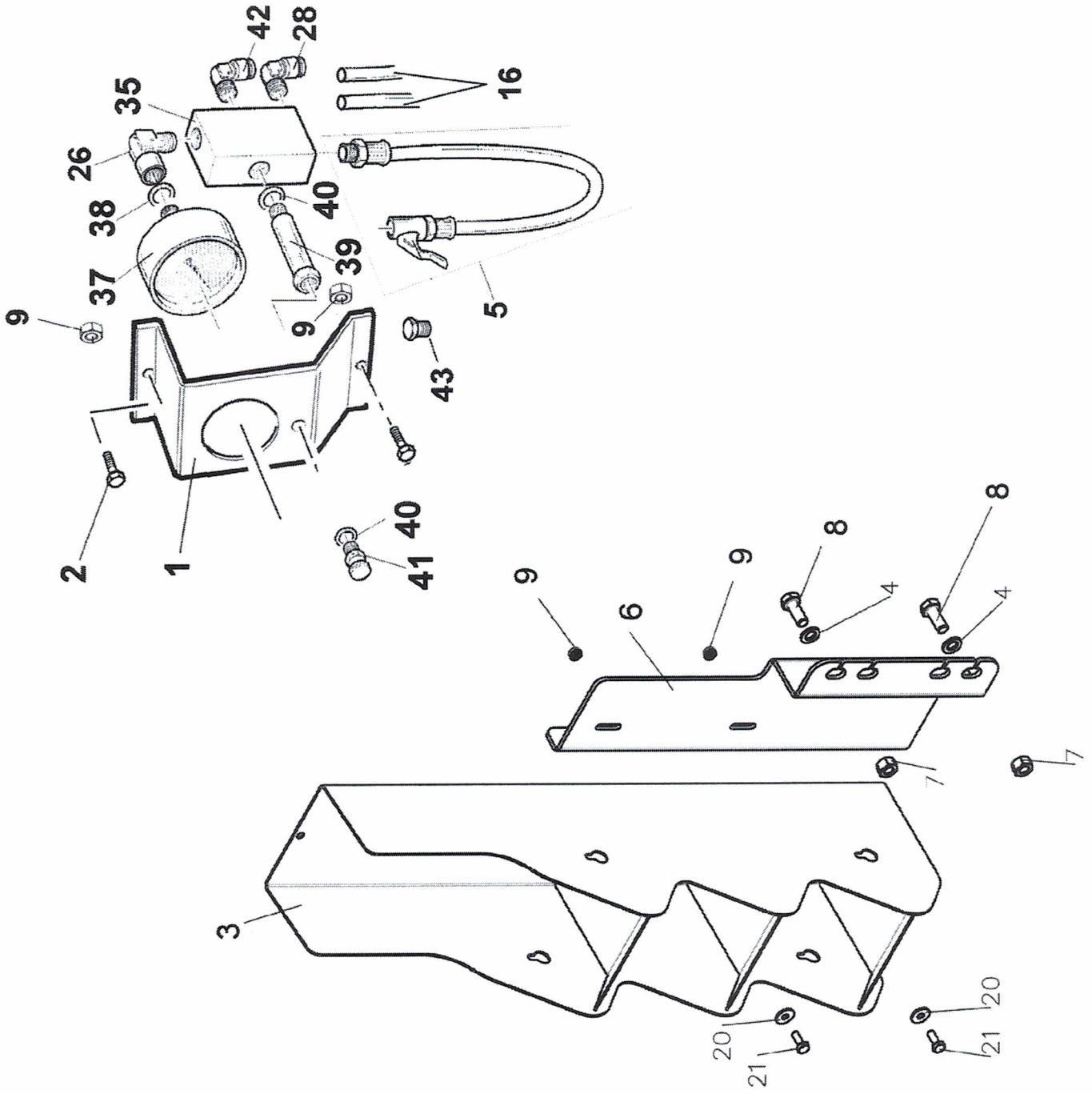


Rif. Ref.	Codice Code	Descrizione	Description	Description	Beschreibung
1	2041441	GR. BLOCCAGGIO "SMART LOCK PRO" (NO RICAMBIO)	"SMART LOCK PRO" CLAMPING UNIT	GR. BLOCAGE "SMART LOCK PRO"	"SMART LOCK PRO" SPANN-EINHEIT
2	6241543	POMOLO A FUNGO ALUMINIO VERN - ROSSO CORSA	MUSH-ROOM-SHAPED HANDLE	POMMEAU CHAM-PIGNON	PILZFÖRMIGER HANDGRIFF
3	6241544	POMOLO SFERICO ALUMINIO VERN - ROSSO CORSA	HALF-BALL-SHAPED HANDLE	POMMEAU SPHER-IQUE	HALBKUGEL-FÖRMIGER HANDGRIFF
4	4293252	ANELLO OR 3256 D.64,77X2,62	O-RING 3256 D.64,77X2,62	JOINT TORIQUE 3256 D.64,77X2,62	O-RING 3256 D.64,77X2,62
5	4298601	ANELLO OR 3093 D.23,47x2,62	O-RING OR 3093 D.23,47x2,62	O-RING OR 3093 D.23,47x2,62	O-RING
6	4292291	SCOVOLO IN ACCIAIO AR ONDULATO diam. 30 mm	CLEANING BRUSH Ø 30 mm	BROSSE MÉTAL-LIQUE POUR LE NETTOYAGE Ø 30 mm	BÜRSTE ZUR REINIGUNG Ø 30 mm
7	2041474	GRUPPO CHIAVE REGOLAZIONE SMART-LOCK	SMARTLOCK AD-JUSTMENT KNOB	CLE POUR REGLAGE DU SMART LOCK	SMART LOCK-EIN-STELLSCHLÜSSEL

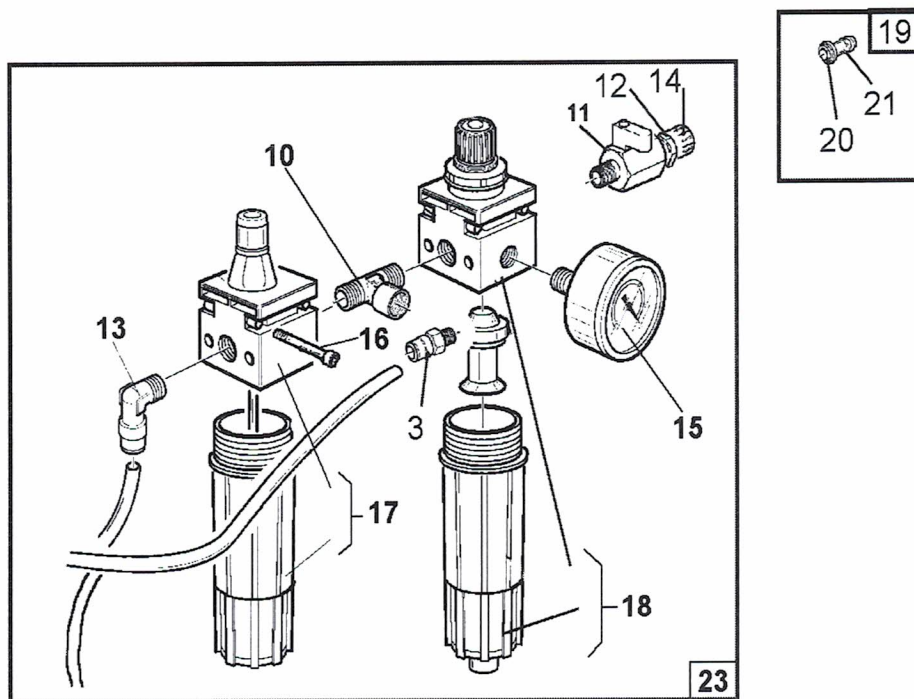




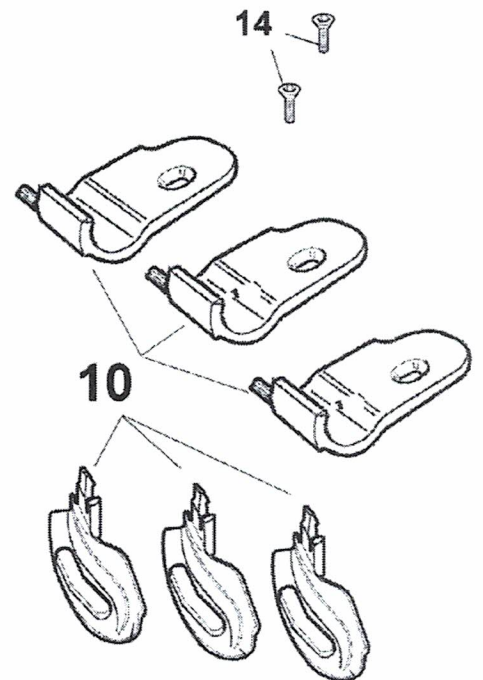
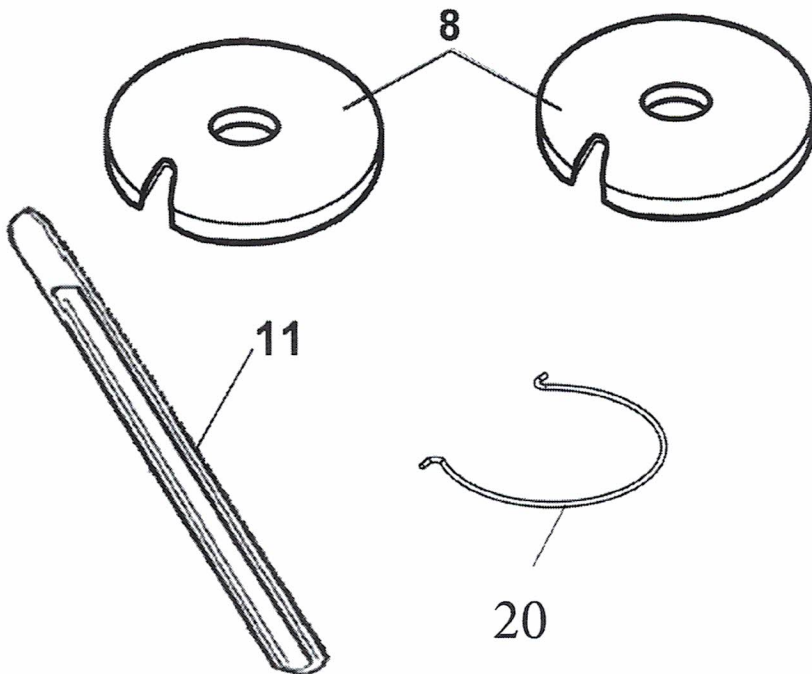
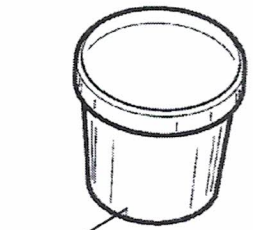
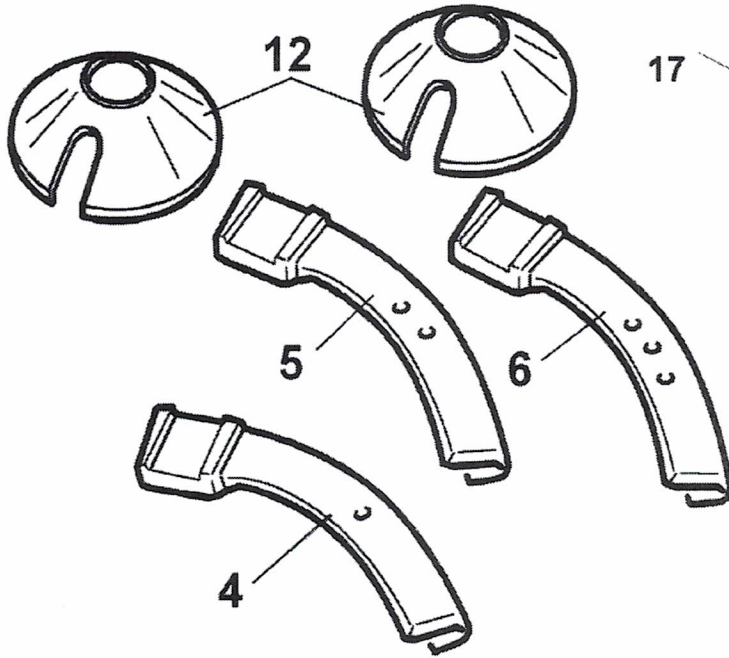
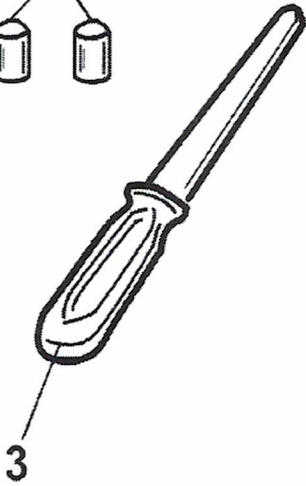
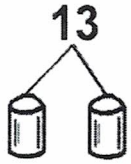
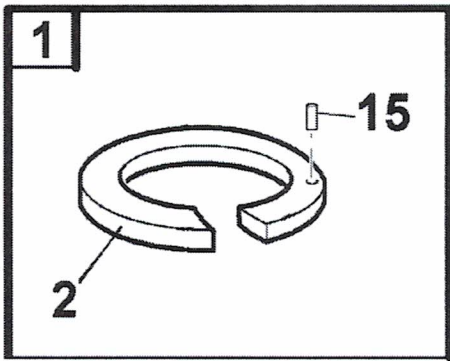
Rif. Ref.	Codice Code	Descrizione	Description	Description	Beschreibung
1	2136220	IMPUGNATURA GONF. BECCO - PLASTIFIC. ROSSO	INFLATING DEVICE HANDLE	POIGNEE DISPOSITIF DE GONFLAGE	AUFPUMPVORRICHTUNGSGRIFF
2	4593033	PRESSACAVO BM 14912 M12X1,5	CABLE HOLDER BM 14912 M12X1,5	PRESSE-CABLE BM 14912 M12X1,5	KABELHALTER BM 14912 M12X1,5
3	2037816	PULSANTE DI SCARICO -OTTONE/NYLON	RELIEF PUSHBUTTON	BOUTON-POUSSOIR	Abblasdruckknopf
4	3036445	PROLUNGA M-F 1/4 CON FORO M5 - ZNT	EXTENSION M-F 1/4 WITH HOLE M5	RALLONGE M-F 1/4 AVEC TROU M5	VERLÄNGERUNG M-F 1/4 MIT BOHRUNG M5
5	4197743	RACCORDO 6512 M5-4 DIR. A.104	UNION	RACCORD	ANSCHLUSS
6	3036627	TUBO RILSAN D.4X2,7 NERO L=400	RILSAN HOSE D.4X2,7 BLACK L=400	TUYAU RILSAN D.4X2,7 NOIR L=400	RILSAN SCHLAUCH D.4X2,7 SCHWARZ L=400
7	4194001	VALVOLA MV AL4 15 3 LT ML NC P	VALVE MV AL4 15 3 LT ML NC P	CLAPET MV AL4 15 3 LT ML NC P	VENTIL MV AL4 15 3 LT ML NC P
8	4399897	VITE TE 4x25 8.8 PF ZNT 5737 (K)	SCREW 4x25	VIS 4x25	SCHRAUBE 4x25
9	4396106	DADO M 4 6S ZNT 5588 (*) (K)	NUT M4	ECROU M4	MUTTER M4
10	3036231	TUBO GOMMA COMPL. d.19x26 M3/4"-M3/4" L=2000	RUBBER HOSE d. 19x26 M3/4"-M3/4" L=2000	TUYAU CAOUTCHOUC d. 19x26 M3/4"-M3/4" L=2000	"GUMMISCHLAUCH d. 19x26 M3/4"-M3/4" L=2000"
11	3036229	RACCORDO M-F 3/4 + M12	UNION M-F 3/4 + M12	RACCORD M-F 3/4 + M12	ANSCHLUSS M-F 3/4 + M12
12	4194613	VALVOLA SCARICO RAPIDO 5VSRM 3/4" F/F	QUICK RELIEF VALVE 3/4" F/F	CLAPET DECHARGE RAP. 3/4" F/F	"SCHNELLABLASSVENTIL 3/4" F/F"
13	4194612	NIPPLIO 3/4" M-M	NIPPLE 3/4" M-M	NIPPLE 3/4" M-M	"NIPPEL 3/4" M-M"
14	4194313	RIDUZIONE RC 253 3/4"M-1/4"F	REDUCTION 3/4"M-1/4"F	REDUCTION 3/4"M-1/4"F	"VERSCHRAUBUNG 3/4"M-1/4"F"
15	3017386	TUBO ELASTOLAN 8X6 L=40	ELASTOLAN HOSE 8X6 L=40	TUYAU ELASTOLAN 8X6 L=40	ELASTOLAN SCHLAUCH 8X6 L=40
16	4196457	RACCORDO 6450 GIREV. 1/4"-8	UNION 6450 1/4"-8	RACCORD 6450 1/4"-8	"ANSCHLUSS 6450 1/4"-8"
17	4193434	RACCORDO 6800(121) RID.DA 8 A 4	UNION 6800(121) REDUCT. 8 => 4	RACCORD 6800(121) REDUCT. 8 => 4	ANSCHLUSS 6800(121) VERMIND. 8 => 4
18	3018338	TUBO RILSAN 4x2,7 L=2300	RILSAN HOSE 4x2,7 L=2300	TUYAU RILSAN 4x2,7 L=2300	RILSAN SCHLAUCH 4x2,7 L=2300
19	4194314	RACCORDO RAPIDO PLAST. "T" 1/4" / 4 ( PT 04 02)	QUICK UNION "T" 1/4" / 4	RACCORD RAPIDE "T" 1/4" / 4	"SCHNELLANSCHLUSS "T" 1/4" / 4"
20	3018692	TUBO RILSAN 4x1,5 L=900	RILSAN HOSE 4x1,5 L=900	TUYAU RILSAN 4x1,5 L=900	RILSAN SCHLAUCH 4x1,5 L=900
21	4198885	RACCORDO 6430 1/4"-8/6 S.RAPIDO	QUICK UNION 1/4"	RACCORD RAPIDE 1/4"	"SCHNELLANSCHLUSS 1/4" F"
22	4198894	MANICOTTO 2543 1/4" F.	COUPLING 2543 1/4" F	MANCHON 2543 1/4"	"MUFFE 2543 1/4" F"
23	4198703	VALV.SIC.1/4"0/11 INAMOV.+ANELLO	SAFETY VALVE 1/4"	CLAPET DE SECURITE" 1/4"	"SICHERHEITSVENTIL 1/4" F"



Rif. Ref.	Codice Code	Descrizione	Description	Description	Beschreibung
1	7035733	LAMIERA MANOMETRO X PORTA OGGETTI - VERN NERO FONDO ZNT	MANOMETER SUPPORT-ING PLATE FOR TOOLS HOLDER		DRUCKMESSER-UNTERSTÜTZ-PLATTE FÜR WERKZEUG-TRÄGER
2	4398723	VITE TE 6x12 8.8 ZNT 5739 (K)	SCREW 6x12	VIS 6x12	SCHRAUBE 6x12
3	7035732	SCATOLA PORTA OGGETTI - VERN NERO FONDO ZNT	TOOL TRAY	BOITE POUR LES OB-JECTS - NOIR	WERKZEUGTRÄGER
4	4398633	RONDELLA 10 (10x18x2) ZNT 1750 (s) (K)	WASHER D.10 (10x18x2)	RONDELLE 10 (10x18x2)	UNTERLEGSSCHEIBE 10 (10x18x2)
5	2037129	GR.TUBO CENTR. GT L=1400	GT UNIT HOSE L=1400	TUYAU UNITE" GT L=1400	GT-EINHEITSSCHLAUCH L=1400
6	7044081	PIASTRA FISSAGGIO COLONNA	TOOLS STORAGE BOX FASTENING PLATE	PLAQUE DE FIXATION PORTE OUTILS	BEFESTIGUNGSPLATTE
7	4399969	DADO M10 6S ALTO ZNT 5587 (K)	NUT M10	ECROU M10	MUTTER M10
8	4399228	VITE TE 10x25 10.9 ZNT 5739 (K)	SCREW 10x25	VIS 10x25	SCHRAUBE 10x25
9	4399889	DADO M 6 6S ZNT 5588 (K)	NUT M6	ECROU M6	MUTTER M6
16	3037089	TUBO BINATO 8x5,5 L=1550	HOSE 8x5,5 L=1550	TUYAU 8x5,5 L=1550	SCHLAUCH 8X5,5 L=1550
20	4398848	RONDELLA 6 (6,6x18x1,5) ZNT6593 (K)	RONDELLE 6 (6,6x18x1,5)	BEILAGSSCHEIBE 6 (6,6x18x1,5)	WASHER 6 (6,6x18x1,5)
21	4398708	VITE TE 6x16 8.8 ZNT 5739 (K)	SCREW TE 6x16 8.8 ZNT 5939	VIS 6x16	SCHRAUBE 6x16
26	4198908	RACCORDO 2020 1/4" F/M.	UNION 1/4"	RACCORD 1/4"	"ANSCHLUSS 1/4""
28	4198883	RACCORDO S6500 1/4"-8 S.RAPIDO	QUICK UNION 1/4"	RACCORD RAPIDE 1/4"	"SCHNELLANSCHLUSS 1/4""
35	3016655	BLOCCHETTO ALL. 5 VIE F1/4"	5WAYS DISTRIBUTOR	REPARTITEUR 5VOIES	5WEGE-VERTEILER
37	3015120	MANOMETRO D.80 1200KPA-170PSI DOPPIA SCALA BAR-PSI	PRESSURE GAUGE D.80 1200KPA DOUBLE SCALE BAR/PSI	MANOMETRE D.80 1200KPA	MANOMETER D.80 1200KPA
38	4299000	ANELLO OR 9,8x3,85	O-RING 9,8x3,85	JOINT OR 9,8x3,85	O-RING 9,8x3,85
39	4198670	COLONNETTA 2525 1/4" H=43	STUD BOLT 1/4" H=43	COLONNETTE 1/4" H=43	"BUNDSCHRAUBE 1/4"" H=43"
40	4399256	ROND. RAME 1/4" (13x19x1,5) (K)	COPPER WASHER 1/4" D.13x19x1,5	RONDELLE EN CUIVRE 1/4" D.13x19x1,5	"KUPFERSCHEIBE 1/4"" D.13x19x1,5"
41	4299354	PULSANTE DI SCARICO	DEFLATION BUTTON	BOUTON DE DEGON-FLAGE	BETÄTIGUNGSKNOPF ZUM ABPUMPEN
42	4198578	RACCORDO 6521 1/4"-8/6 S01 GIREV. (sp)	ROTATING UNION 1/4" 8-6	RACCORD PIVOTANT 1/4" 8-6	"DREHANSCHLUSS 1/4"" 8-6"
43	4199485	TAPPO MASCHIO E100 1/4" CONICO	MALE PLUG	BOUCHON MALE	PFROPFEN



Rif. Ref.	Codice Code	Descrizione Articolo	Description	Description	Beschreibung
3	4198884	RACCORDO S6510 1/4"-8 S.R.	QUICK UNION 1/4"	RACCORD RAPIDE 1/4"	"SCHNELLANSCHLUSS 1/4""
10	4198973	RACCORDO 2090 1/4" MFM	UNION 1/4"	RACCORD 1/4"	"ANSCHLUSS 1/4""
11	4196354	VALVOLA MVS 2901 DF 1/4"	VALVE MVS 2901 DF 1/4"	SOUPAPE MVS 2901 DF 1/4"	"VENTIL MVS 2901 DF 1/4""
12	4192995	RACCORDO PER DADO FRESATO 1/4"	UNION FOR NUT 1/4"	RACCORD POUR ECROU 1/4"	ANSCHLUSS FUER MUTTER 1/4"
13	4198883	RACCORDO S6500 1/4"-8 S.RAPIDO	QUICK UNION 1/4"	RACCORD RAPIDE 1/4"	"SCHNELLANSCHLUSS 1/4""
14	4199077	DADO FRESATO 11A 1/4"	NUT 1/4"	ECROU 1/4"	"MUTTER 1/4""
15	4198071	MANOMETRO D.40 0-25BAR/PSI/KPA	PRESSURE GAUGE D.40	MANOMETRE D.40	MANOMETER D.40
16	4399905	VITE TE 4x12 8.8 ZNT 5739 (K)	SCREW 4x12	VIS 4x12	SCHRAUBE 4x12
17	4192928	LUBRIFICATORE	LUBRICATOR	HUILEUR	SCHMIERER
18	4192888	FILTRO REGOLATORE	FILTER REGULATOR	REGULATEUR	REGLER
19	2012981	GR.INGR.ARIA "USA" SMTG	AIR CONNECTION UNIT "USA"	ENSEMBLE ENTREE D'AIR "USA"	LUFTEINLASS-GRUPPE "USA"
20	4198938	RACCORDO 11021 1/4" M USA	UNION 1/4"	RACCORD 1/4"	"ANSCHLUSS 1/4""
21	4196344	ATTACCO BAIONETTA 100F 1/4"	BAYONET JOINT 1/4"	ATTELAGE	VERBINDUNGSSTUECK
23	2042797	GR. LUBRIFICATORE + FILTRO REG. "THB"	LUBRICATOR UNIT + FILTER	GR. LUBRIFICATEUR + FILTRE	OELER + FILTER



<b>Rif. Ref.</b>	<b>Codice Code</b>	<b>Descrizione</b>	<b>Description</b>
1	9232125	602/10 KIT FLAN. RIDUZ. D. 120 A 85	602/10REDUCTION RING D. 120 A 85
2	3031988	FLANGIA RIDUZIONE ø120-ø85	REDUCTION FLANGE ø120-ø85
3	4294140	LEVA P.T.S.	PLASTIC LEVER
4	3018877	PROT.GOMMA CERCHI RUN FLAT T.1	RUBBER PROTECTION T.1
5	3018878	PROT.GOMMA CERCHI RUN FLAT T.2	RUBBER PROTECTION T.2
6	3018879	PROT.GOMMA CERCHI RUN FLAT T.3	RUBBER PROTECTION T.3
8	9236525	PROTEZIONE MANDRINO IN GOMMA (2 PCS)	CENTER PLATE RUBBER PROT.(2 PCS)
10	9230682	PATTINO ANT. E POST. UT INTEGR (3+3 PCS)	TOOL HEAD FRONT AND BACK PROT. (3+3 PCS)
11	4292373	LEVA ALZATALLONI	BEAD LIFTING LEVER
12	9231516	PROTEZIONE ABS CONO (2 PCS)	CONE PLASTIC PROTECTION (2 PCS)
13	9231518	PROT.PERNO TRASCINATORE (2 PCS)	PIN PLASTIC PROTECTION (2 PCS)
14	4393753	VITE TSPEI 5X10 (2 PCS)	SCREW TSPEI M 5x10 (2 PCS)
15	4393263	SPINA CIL.RETT. 5X12 6364A	PIN 5x12
17	4296517	PENNELLO x GRASSO	BRUSH FOR GREASE
18	4299984	PASTA DI MONTAGGIO PNEUMATICI 1 KG	TIRE MOUNTING PASTE 1 KG
20	3000069	MOLLA ANELLO PER SECCHIELLO	SPRING

