

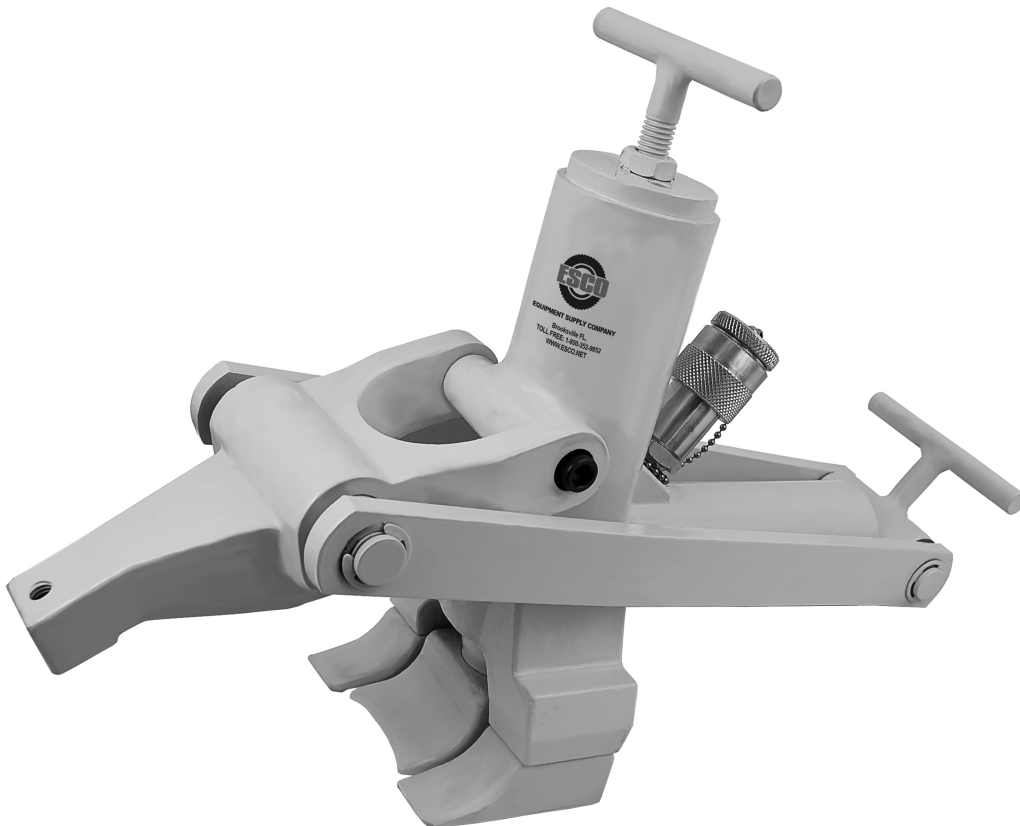


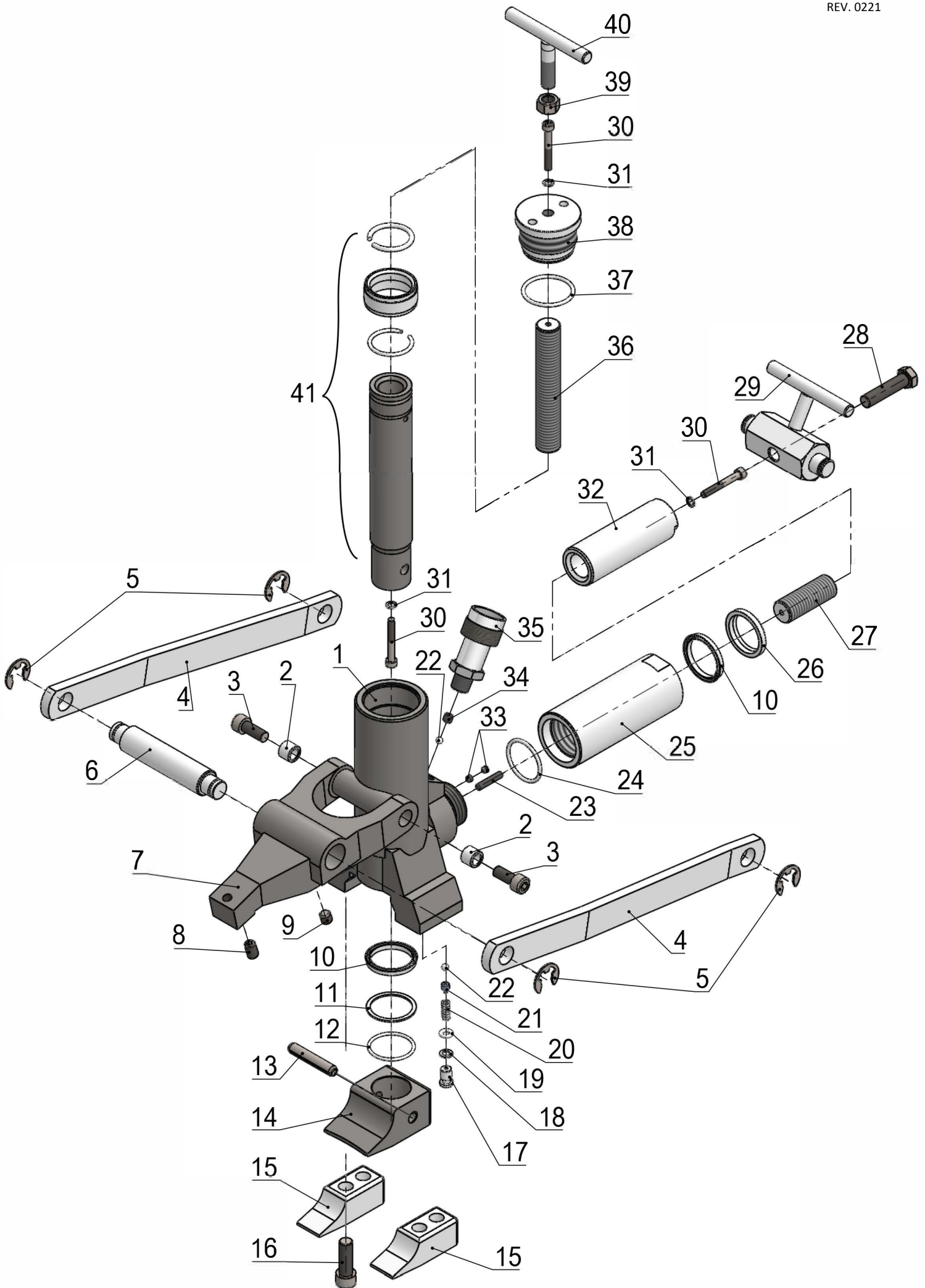
ESCO EQUIPMENT SUPPLY COMPANY

Parts List Tire

Bead Breaker

Model #10101







ESCO EQUIPMENT SUPPLY COMPANY

10101B Parts List

Item No.	Part No.	No. Req'd	Description
1	64250B	1	Bead Breaker Body
2	204238	2	Bushing
3	B1069028B	2	Cap Screw
4	350270B	2	Side Strap
5	11901	4	Retaining Clips
6	DA10488061L	1	Pin
7	420438B	1	Jaw
8	BC3806027B	1	Jaw Set Screw
9	10101B-9	1	Jaw Set Screw
10	10101B-10	2*	U Cup
11	10101B-11	1*	Wiper
12	10101B-12	1*	O Ring
13	10101B-13	1	Roll Pin
14	36853B	1	Foot
15	306135B	2	Replaceable Teeth
16	B1139028B	4	Cap Screw
17	10101B-17	1*	Valve Body
18	10101B-18	1*	O Ring
19	10101B-19	1*	Backup Ring
20	16724B	1*	Sequence Valve Spring
21	10101B-21	1*	Retainer
22	10375B	2*	Steel Ball
23	10101B-23	1	Screw Set
24	10101B-24	1*	O Ring
25	10101B-25	1	Cylinder
26	10101B-26	1*	Wiper
27	10101B-27	1	Short Spring w/ Retainers
28	10101B-28	1	Rear Handle Bolt
29	36949B	1	Rear Handle
30	10101B-30	2	Cap Screw
31	10442	3	Copper Washer
32	10101B-32	1	Short Piston Rod
33	10101B-33	2	Plugs
34	10101B-34	1	Ball Seat
35	10606	1	Ram Half Coupler
36	10101B-36	1	Long Spring w/ Retainers
37	10101B-37	1*	O Ring
38	10101B-38	1	Aluminum Cap
39	10391B	1	Locking Nut
40	202636B	1	T Handle
41	10101B-41	1	Long Piston Rod Assembly

*Includes parts found in the 10701A-B repair kit

