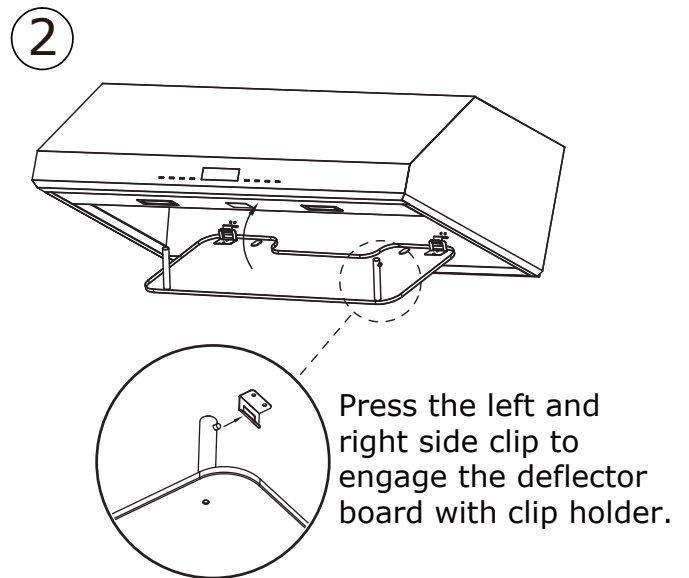
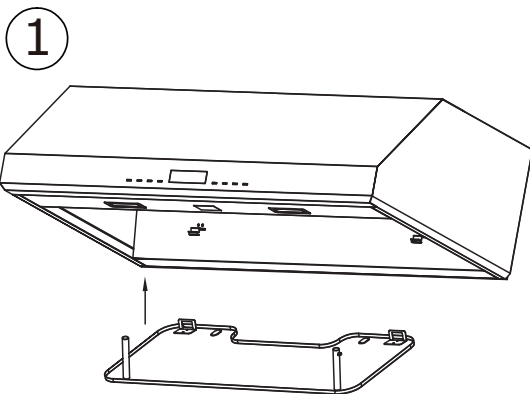
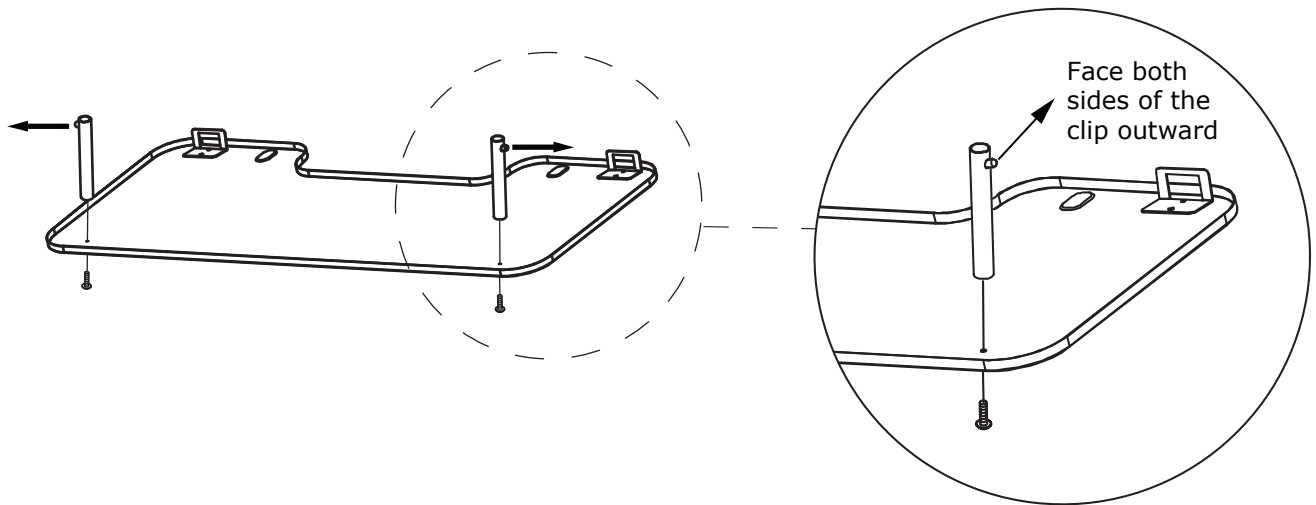
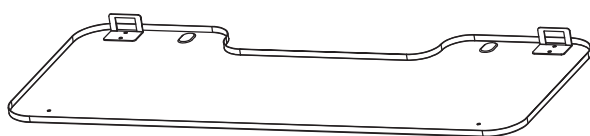


Deflector Board

SC9830AS, SC9836AS

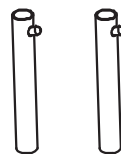


INCLUDED MATERIAL



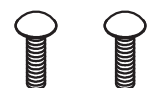
Deflector Board

(1)



Holder,
Deflector Board

(2)

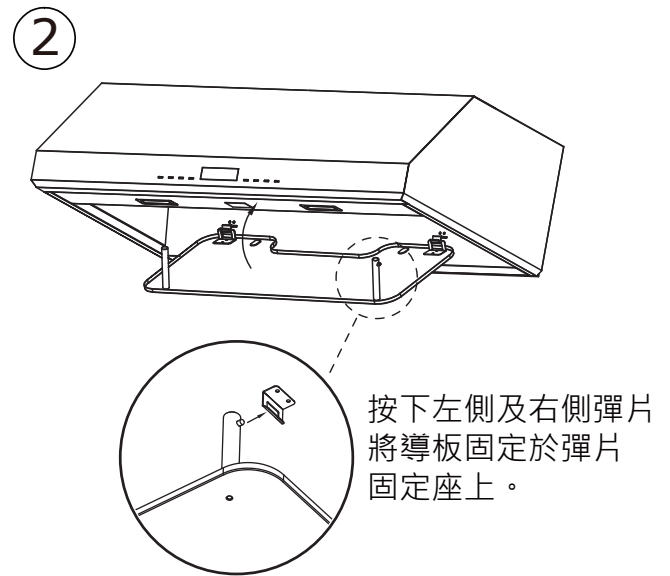
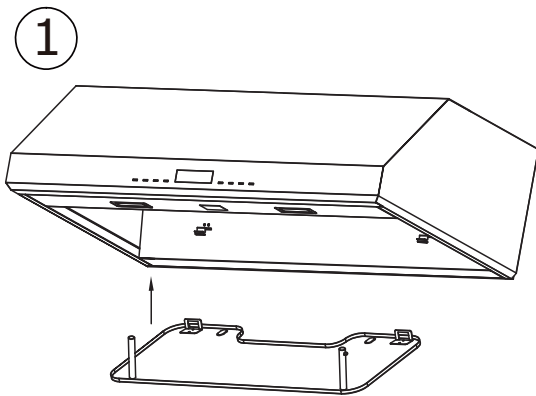
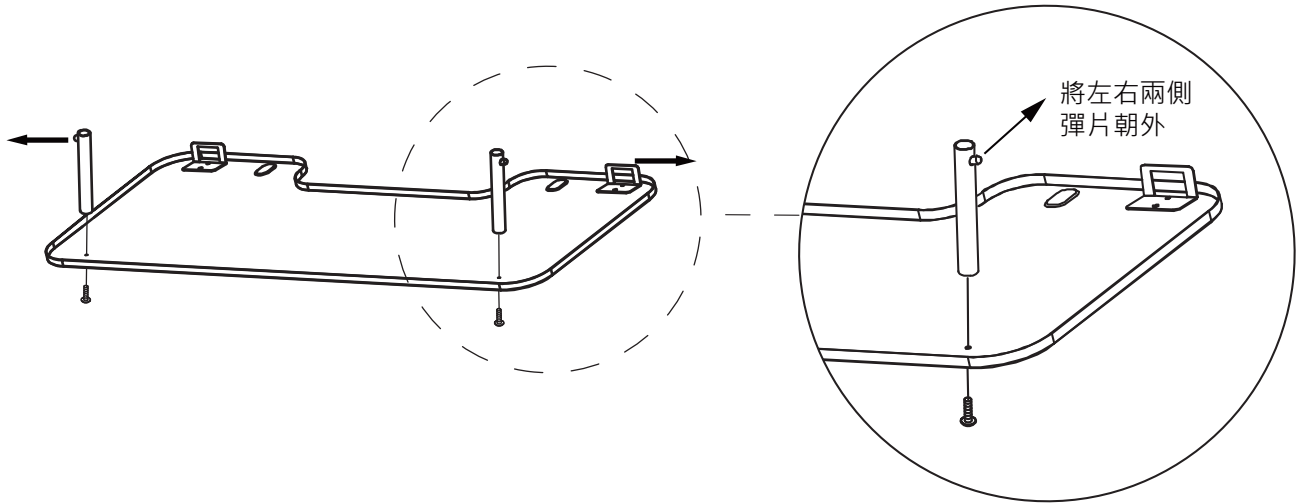


3/16 x 10"
Screws

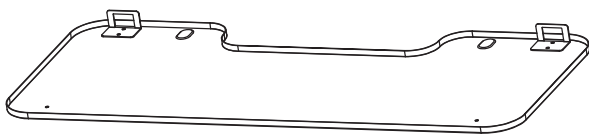
(2)

導流板安裝說明

SC9830AS, SC9836AS

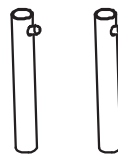


零件一覽



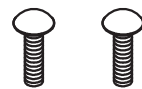
導流板

(1)



導柱

(2)



3/16 x 10" 螺絲

(2)