

PACIFIC

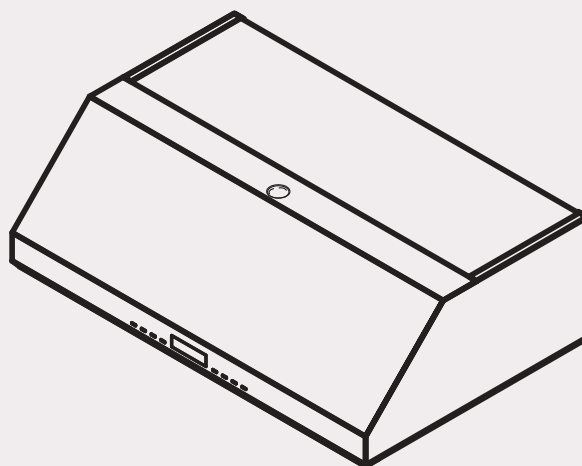
PACIFIC RANGE HOOD

OPERATING INSTRUCTION

Model Number:

SC9830AS, SC9836AS

TRÛSTEAM



Read all instructions before operating the range hood.

ACT[™]
Airflow Control Technology



cUL[®] US
LISTED

■ Safety Information	P1-3
■ Product Functions / Performance Specification Chart	P4
■ Parts Supplied	P5
■ Circuit Diagram	P6
■ Installation Specifications	P7
■ List of Materials	P8
■ Installation Guidelines	P9
■ Installation Procedures – Under Cabinet	P10-13
■ Installation Procedures – Wall	P14-17
■ Installation Instructions – Optional Duct Cover	P18-21
■ Operating Instructions	P22-P24
■ Pacific Kitchen + App Set Up	P25-p26
■ Features & Controls	P27
■ ACT™ Conversion	P28
■ Surface Maintenance	P29
■ Steam Clean Function Remarks	P30
■ Troubleshooting	P31-33

READ AND SAVE THESE INSTRUCTIONS

Your safety and the safety of others are very important. We have provided many important safety messages in this manual for your appliance. Always read and obey all safety messages.



This is the Safety Alert Symbol. This symbol alerts you to potential hazards that can cause severe bodily injury or death. All safety messages will follow the Safety Alert Symbol and either the words "DANGER" "WARNING" or "CAUTION"

 **DANGER** 

Danger means that failure to heed this safety statement may result in severe injury or death.

 **WARNING** 

Warning means that failure to heed this safety statement may result in extensive product damage, serious personal injury, or death.

 **CAUTION** 

Caution means that failure to heed this safety statement may result in minor or moderate personal injury, property or equipment damage.

General Safety

 **WARNING** 

To reduce the risk of fire or electric shock, do not use this fan with any solid-state control device.

 **WARNING** 

WARNING - TO REDUCE THE RISK OF FIRE, ELECTRIC SHOCK, OR INJURY TO PERSONS, OBSERVE THE FOLLOWING:

- a) Use this unit only in the manner intended by the manufacturer. If you have questions, contact the manufacturer.
- b) Before servicing or cleaning unit, switch power off at service panel and lock the service disconnecting means to prevent power from being switched on accidentally. When the service disconnecting means cannot be locked, securely fasten a prominent warning device, such as a tag, to the service panel.

 **CAUTION** 

For General Ventilating Use Only. Do Not Use To Exhaust Hazardous Or Explosive Materials And Vapors. Take care when using cleaning agents or detergents. Suitable for use in household cooking area.

 **WARNING** 

WARNING - TO REDUCE THE RISK OF A RANGE TOP GREASE FIRE:

- a) Never leave surface units unattended at high settings. Boilovers cause smoking and greasy spillovers that may ignite. Heat oils slowly on low or medium settings.
- b) Always turn hood ON when cooking at high heat or when flambeing food. (i.e. Crepes Suzette, Cherries Jubilee, Peppercorn Beef Flambe).
- c) Clean ventilating fans frequently. Grease should not be allowed to accumulate on fan or filter.
- d) Use proper pan size. Always use cookware appropriate for the size of the surface element.

READ AND SAVE THESE INSTRUCTIONS



WARNING - TO REDUCE THE RISK OF INJURY TO PERSONS IN THE EVENT OF A RANGE TOP GREASE FIRE, OBSERVE THE FOLLOWING^a:

- a) SMOTHER FLAMES with a close-fitting lid, cookie sheet, or metal tray, then turn off the burner. BE CAREFUL TO PREVENT BURNS. If the flames do not go out immediately, EVACUATE AND CALL THE FIRE DEPARTMENT.
- b) NEVER PICK UP A FLAMING PAN – You may be burned.
- c) DO NOT USE WATER, including wet dishcloths or towels – a violent steam explosion will result.
- d) Use an extinguisher ONLY if:
 - 1) You know you have a Class ABC extinguisher, and you already know how to operate it.
 - 2) The fire is small and contained in the area where it started.
 - 3) The fire department is being called.
 - 4) You can fight the fire with your back to an exit

^aBased on “Kitchen Firesafety Tips” published by NFPA.



WARNING - TO REDUCE THE RISK OF FIRE, ELECTRIC SHOCK, OR INJURY TO PERSONS, OBSERVE THE FOLLOWING:

- a) Installation work and electrical wiring must be done by qualified person(s) in accordance with all applicable codes and standards, including fire-rated construction.
- b) Sufficient air is needed for proper combustion and exhausting of gases through the flue (chimney) of fuel burning equipment to prevent back drafting. Follow the heating equipment manufacturer’s guideline and safety standards such as those published by the National Fire Protection Association (NFPA), and the American Society for Heating, Refrigeration and Air Conditioning Engineers (ASHRAE), and the local code authorities.
- c) When cutting or drilling into wall or ceiling, do not damage electrical wiring and other hidden utilities.
- d) Ducted fans must always be vented to the outdoors.
- e) If this unit is to be installed over a tub or shower, it must be marked as appropriate for the application and be connected to a GFCI (Ground Fault Circuit Interrupter) - protected branch circuit.



READ AND SAVE THESE INSTRUCTIONS

Operation

- ▶ Always leave safety grilles and filters in place. Without these components, operating blowers could catch onto hair, fingers and loose clothing.
- ▶ The manufacturer declines all responsibility in the event of failure to observe the instructions given here for installation, maintenance and suitable use of the product. The manufacturer further declines all responsibility for injury due to negligence and the warranty of the unit automatically expires due to improper maintenance.

NOTE: Please check www.2pacific.com for revisions before doing any custom work.

Electrical Requirements

Important:

- ▶ Observe all governing codes and ordinances.
- ▶ It is the customer's responsibility to be aware of these below:
- ▶ To contact a qualified electrical installer.
- ▶ To assure that the electrical installation is adequate and in conformance with National Electrical Code, ANSI/NFPA 70 latest edition* or CSA standards C22.1-94, Canadian Electrical Code, Part 1 and C22.2 No.0-M91 - latest edition** and all local codes and ordinances.
- ▶ If codes permit and a separate ground wire is used, it is recommended that a qualified electrician determine that the ground path is adequate.
- ▶ Do not ground to a gas pipe.
- ▶ Check with a qualified electrician if you are not sure the range hood is properly grounded.
- ▶ Do not have a fuse in the neutral or ground circuit.
- ▶ This appliance requires a 120V 60Hz electrical supply and connected to an individual properly grounded branch circuit protected by a 15 or 20 ampere circuit breaker or time delay fuse. Wiring must be 2 wire with ground. Please also refer to Electrical Diagram on product.
- ▶ A cable locking connector (not supplied) might also be required by local codes. Check with local requirements, purchase and install appropriate connector if necessary.

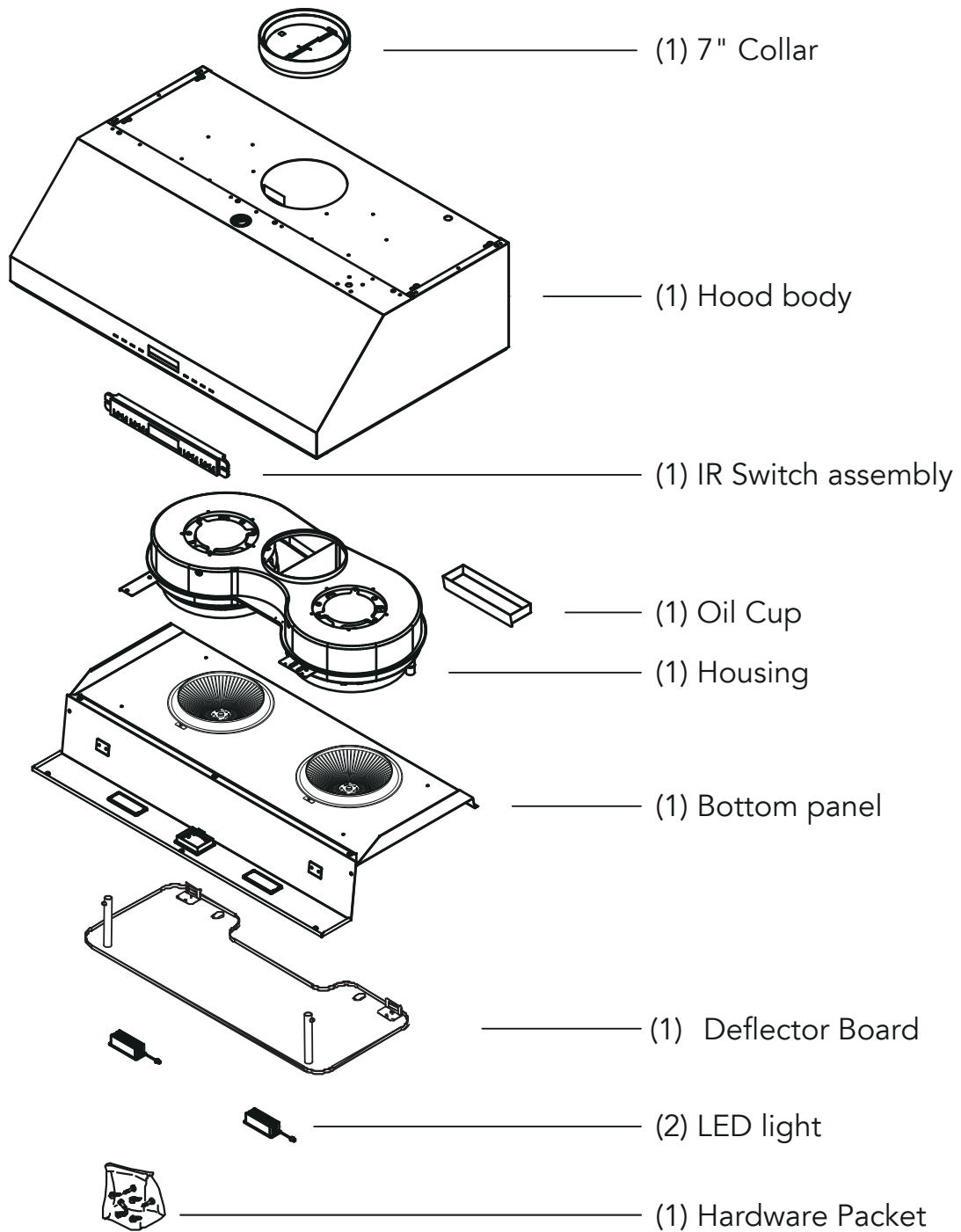
* National Fire Protection Association Batterymarch Park, Quincy, Massachusetts 02269

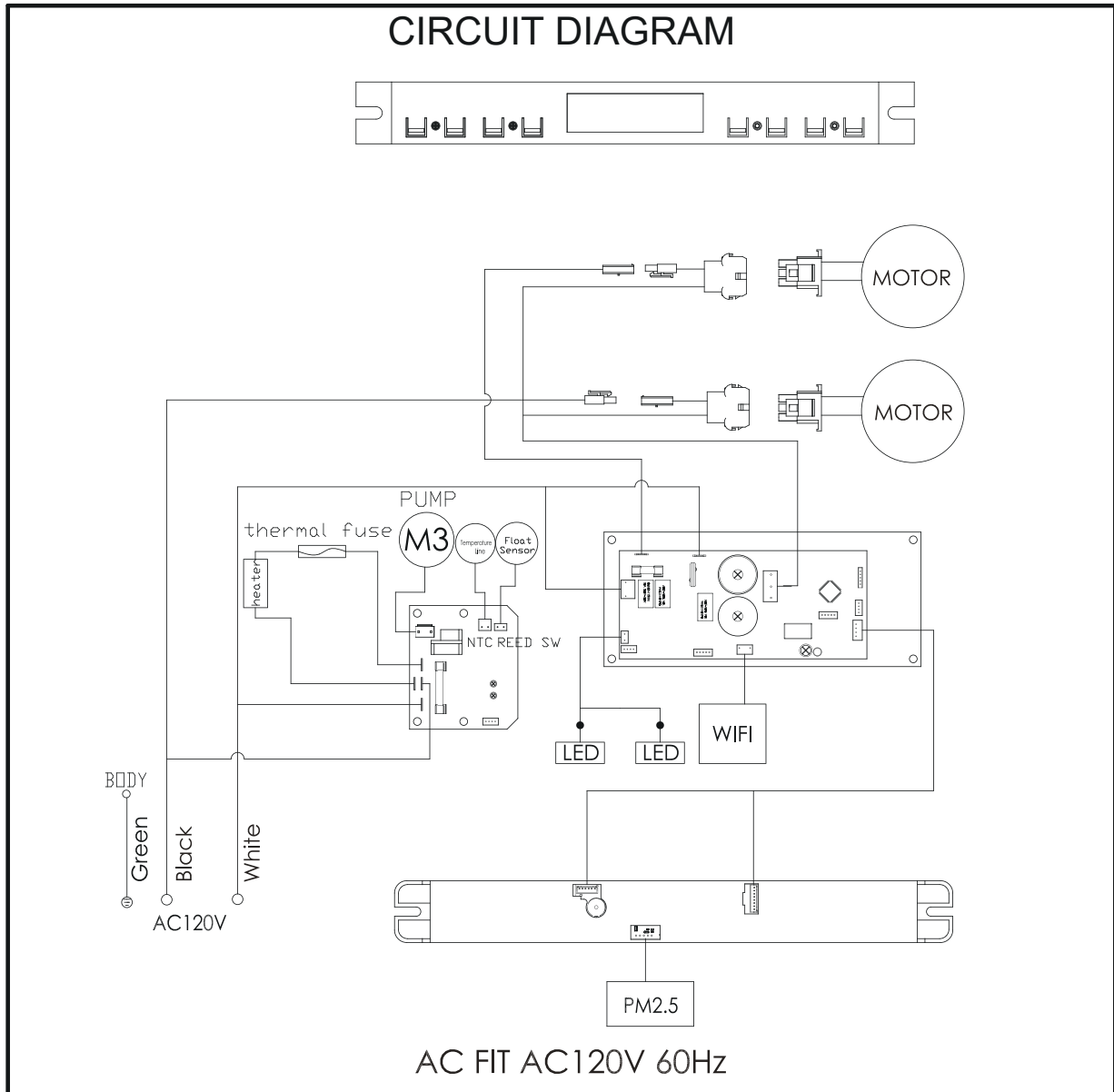
** CSA International 8501 East Pleasant Valley Road, Cleveland, Ohio 44131-5575

1. Automatic steam clean function
2. Turbo mode to quickly remove cooking fumes and smoke
3. Motion activation to turn on/off the range hood with a wave of your hand
4. Memory function to remember the last used fan and light settings
5. 3-min and 5-min automatic delay off
6. Built-in timer
7. Built-in air quality detector (AQI)
8. Airflow Control Technology (ACT™)
9. Compatible with Pacific Kitchen + App
10. Compatible with Google Home and Amazon Alexa

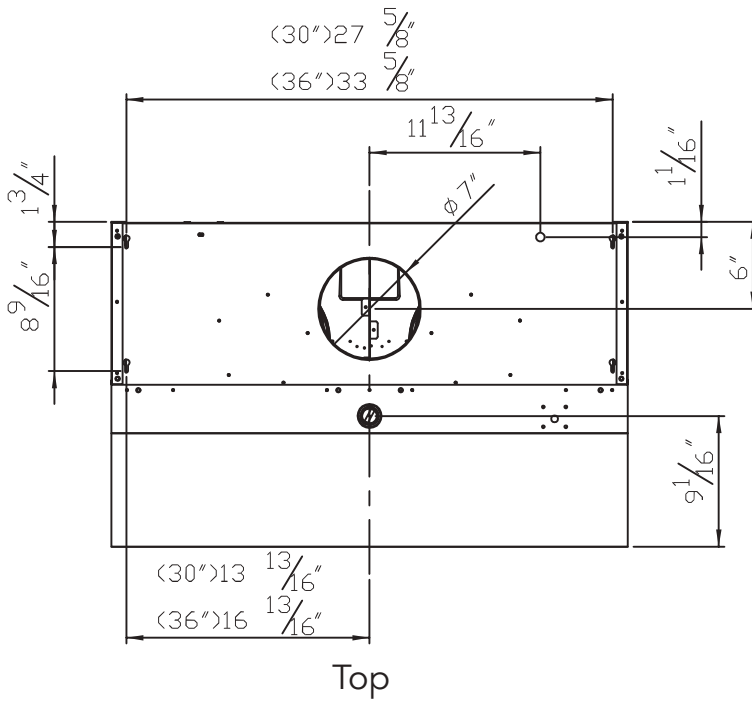
Performance Specification Chart

Model	SC9830AS	SC9836AS
Weight (lbs)	55.6	59.3
Size	30"	36"
Color	Stainless Steel	
Dimension (inch)	29-3/4" x 22-1/2" x 11"	35-11/16" x 22-1/2" x 11"
Lighting	6W LED x 2	
Duct size	7 "Round (Vertical)	
Installation Type	Under Cabinet / Wall-Mounted	
Maximum Voltage	120 V – 60 Hz	
Maximum consumption power	8.4A/920W	
WiFi Connection	Google Home /Amazon Alexa	
Maximum CFM	1200 CFM	
ACT™	290/390 CFM	

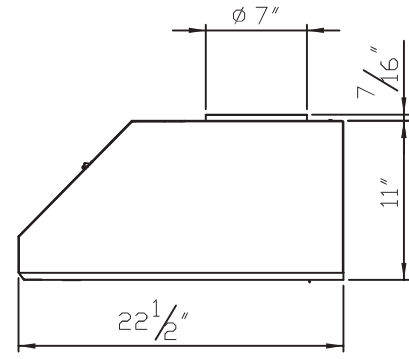




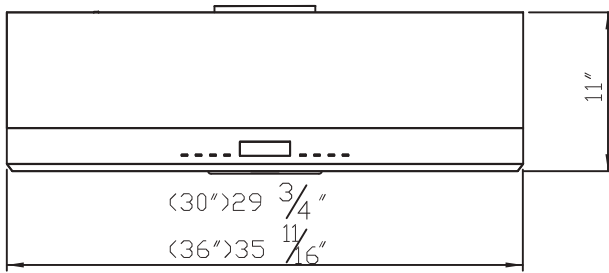
Dimensional Drawing



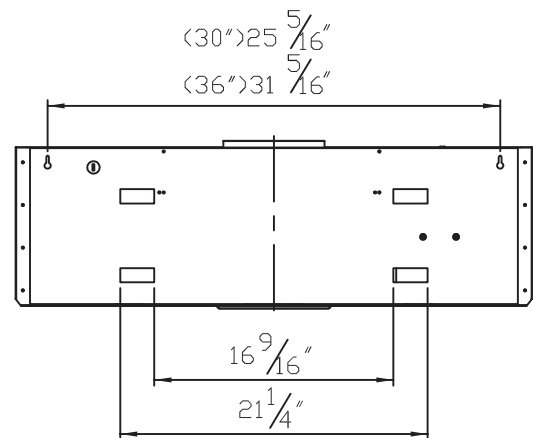
Top



Side

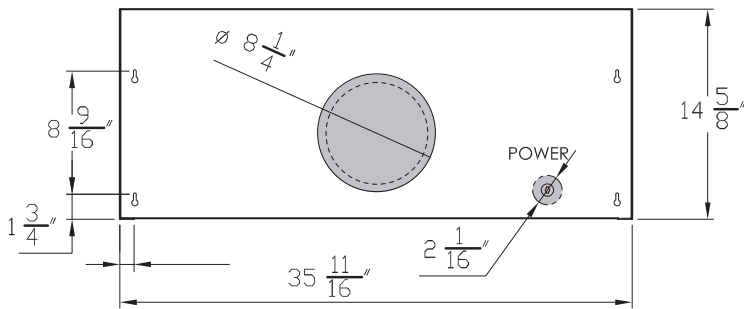


Front

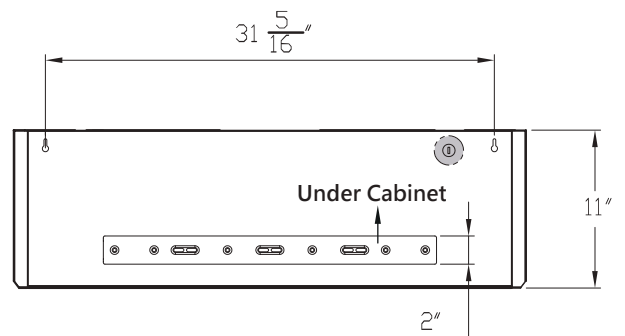


Back

Mounting Template

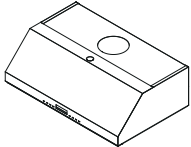



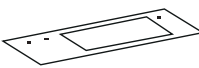


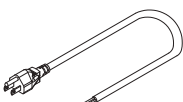

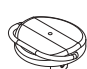
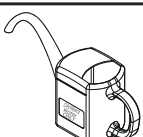
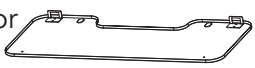









Cabinet

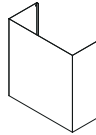
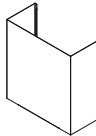
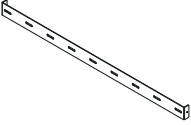
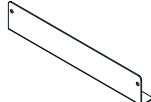


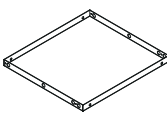
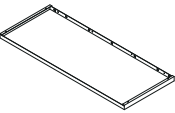



Wall

Supplied

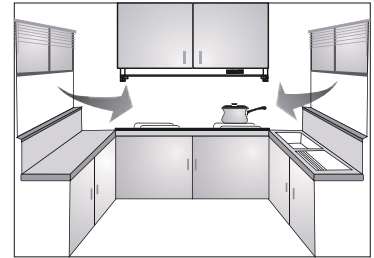
STANDARD CONFIGURATION		
Hood		1
7" Collar		1
Oil cup		1
Manual		1
Mounting Template		2
Mouting bracket		1
Hardware packet		1
Power cord		1
Round Rubber		2
Water cap		1
Water Refiller		1
Deflector Board		1

HARDWARE PACKAGE CONTENTS		
P3 Wire nuts		3
#6 x 1" Wood screws		4
#6 x 1-1/2" Wood screws		4
#6 x 2" Wood screws		12
5 x 24 x 1T washers		4
3/16 x 10" screws		2
Holder, Deflector Board		2

ACCESSORIES(OPTIONAL)		
TELESCOPIC DUCT COVER P1C-0098		
Duct Cover, Upper		1
Duct Cover, Lower		1
Bracket, Wall		1
Bracket, Bottom		2
M4*8 Screw		10
#6*1-1/2" Screw		3
12" DUCT COVER 30"-SC0930 36"-SC0936		
Side Panel		2
Center Panel		1
M3.5*10 Screw		12

1. Location

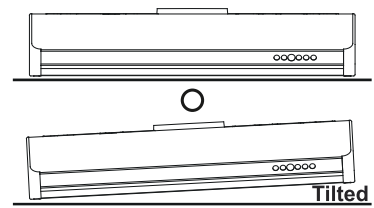
- Air turbulence from window/door may reduce the effectiveness of hood.
Suggest to close window/door before using the hood. (FIG. 1)



(FIG.1)

2. Mounting Height and Position

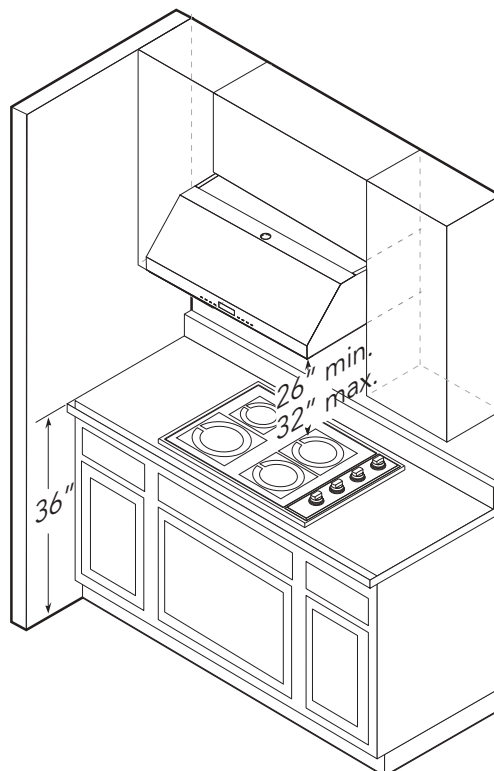
- The installation height is measured vertically from the center of the cooktop to the top of the hood.
- Avoid left-right or front-dropped inclination. (FIG. 2)
- The minimum mount height between range top to hood bottom is 26", and the maximum is 32". (FIG. 3)



(FIG.2)

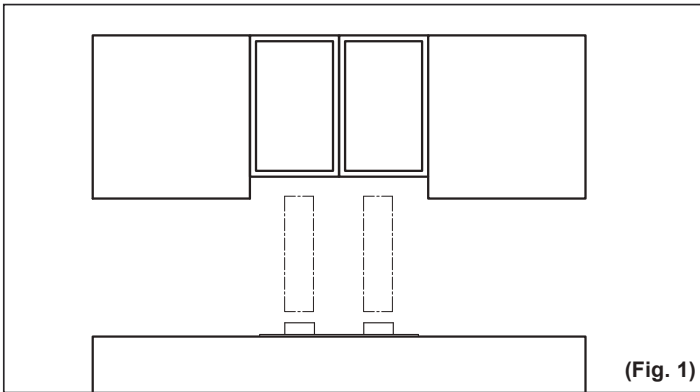
3. Exhaust duct

- 7 inches diameter exhaust duct is recommended to use in order to maximize suction efficiency. 6 inches diameter exhaust duct is available, but it might impact the suction efficiency.
- Install the range hood and exhaust duct to the plastic collar and seal with metal tape.

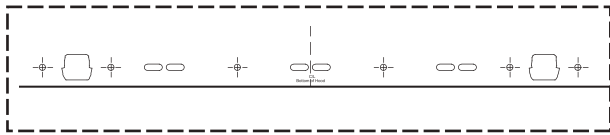


(FIG.3)

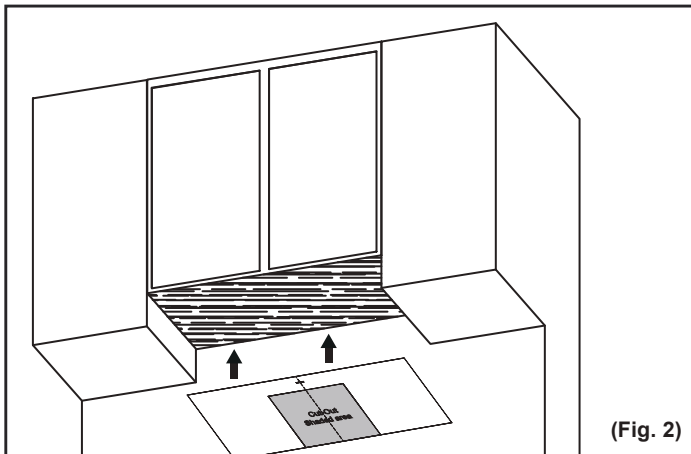
1. Open package to confirm contents and check product appearance.
2. Refer the mounting height on Page 9.
3. Locate the wooden beam and mark the location. (see Fig. 1)



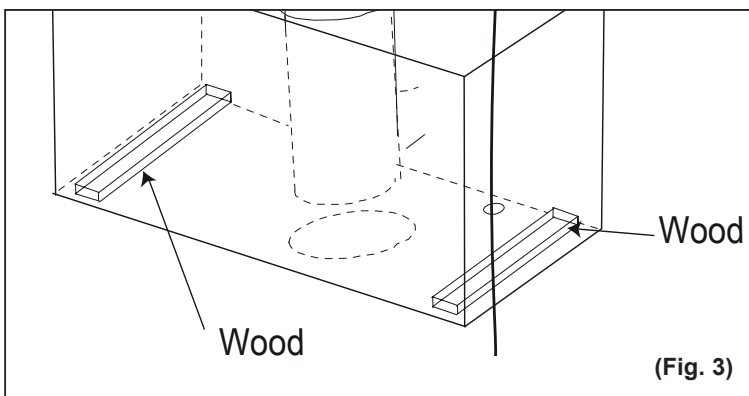
4. Place the template at the desired location on the wall, and drill the holes as indicated on the template, remove the template after all holes were drilled.



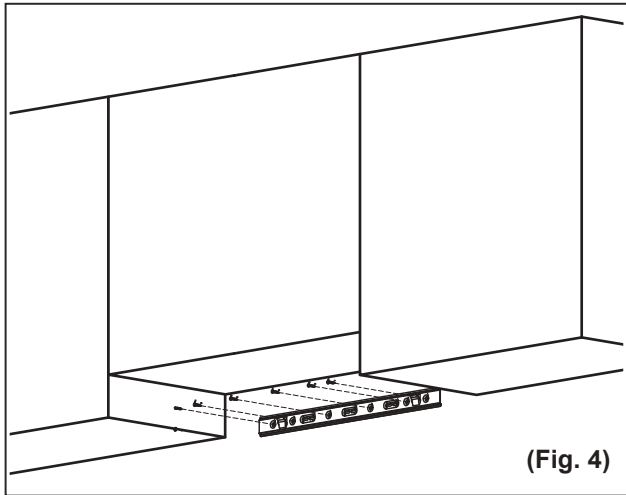
Place the "Cabinet" template facing down and stick it on the bottom of the upper cabinet, drill holes according to the template, take down the template after all holes were drilled. (see Fig. 2)



5. Reinforce cabinet bottom with wood strips if additional strengthening is required. (see Fig. 3)

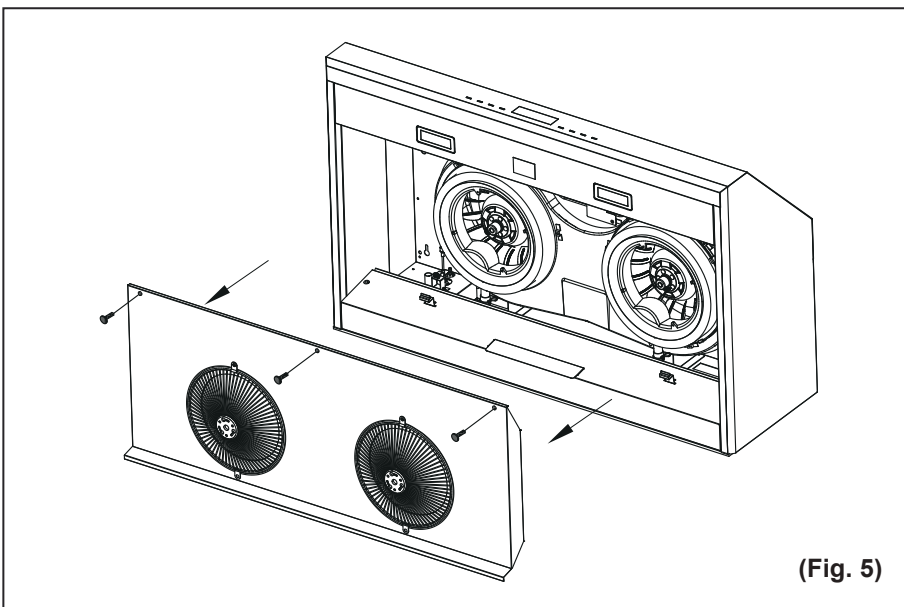


6. Attach the mounting bracket to the wall using (6) #6 x 2" screws. (see Fig. 4)

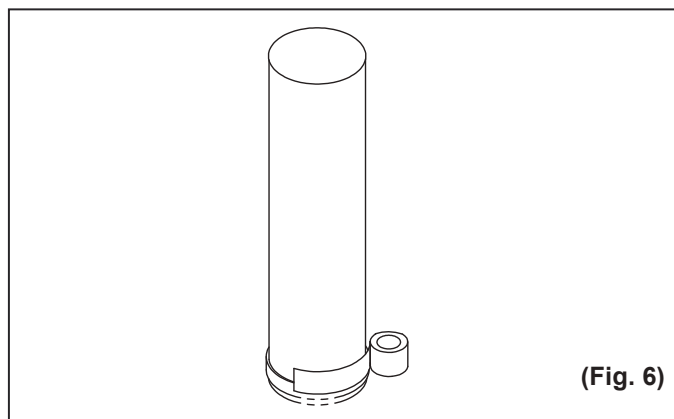


7. Remove the bottom panel from the hood by using a Phillips head screwdriver to remove each screw.

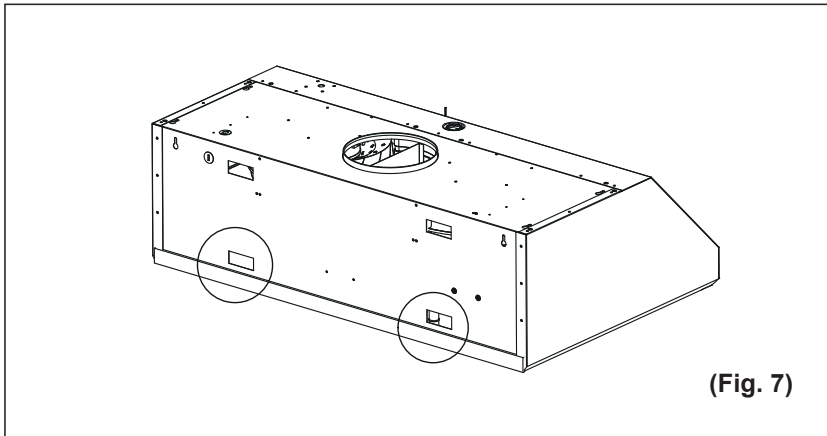
Use caution when removing the bottom panel. Be careful not to scratch side panels during removal. (see Fig. 5)



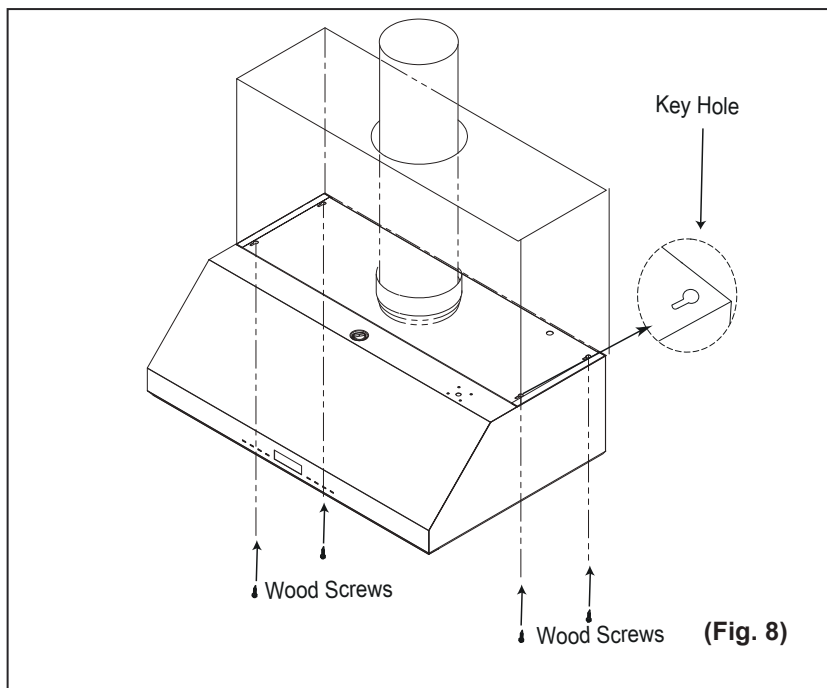
8. Install collar and duct work, then seal with aluminum duct tape. (see Fig. 6)



9. Lift the hood and insert mounting bracket into (2) lower holes on the hood's back panel. (see Fig. 7)



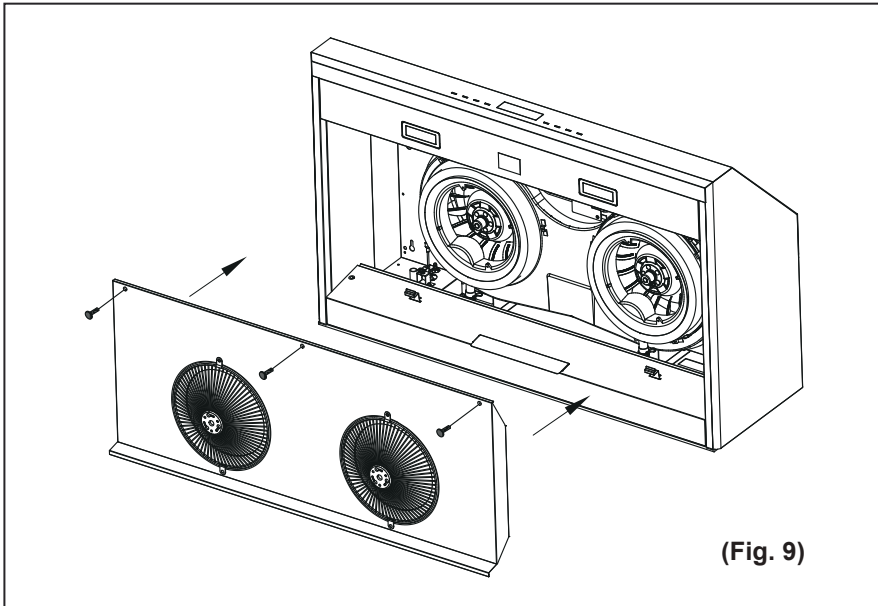
Push the hood against the bottom of cabinet and secure the hood using (4) #6 screw to the drilled screw holes. (see Fig. 8)



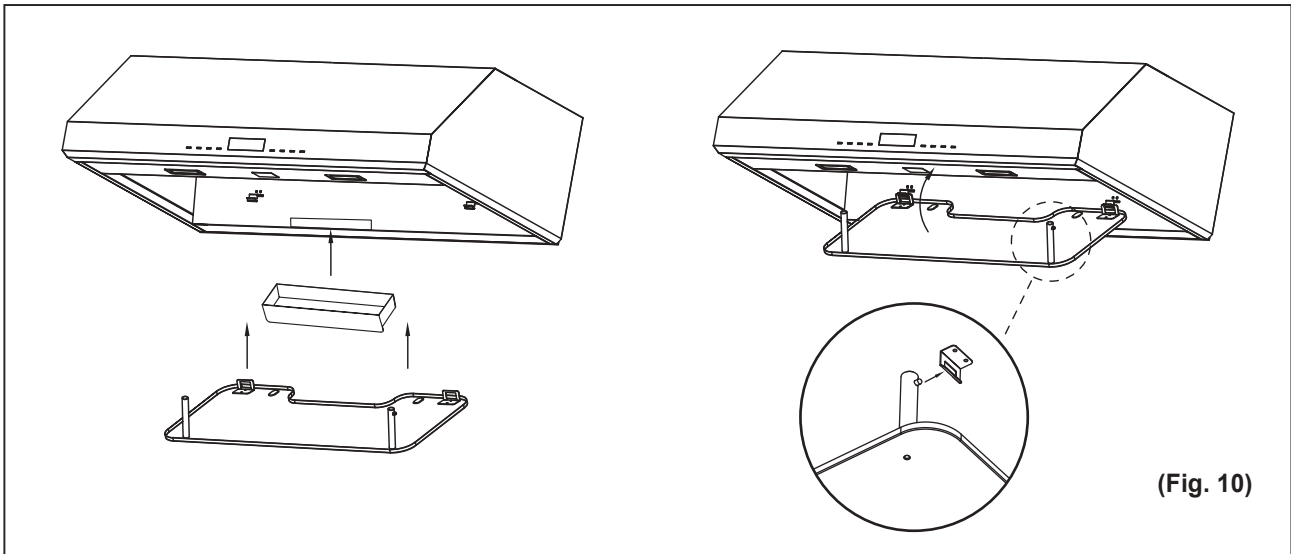
10. Install electrical.

11. Turn on the hood and check for any air leakage from the pipe around duct tape and test all functions.

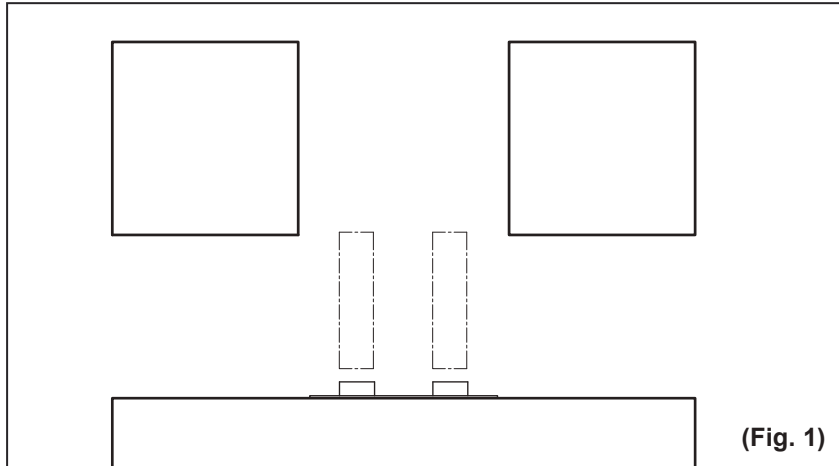
- 12.Reinstall bottom panel. Use caution when installing bottom panel.
Be careful not to scratch side panels during installation.(see Fig. 9)



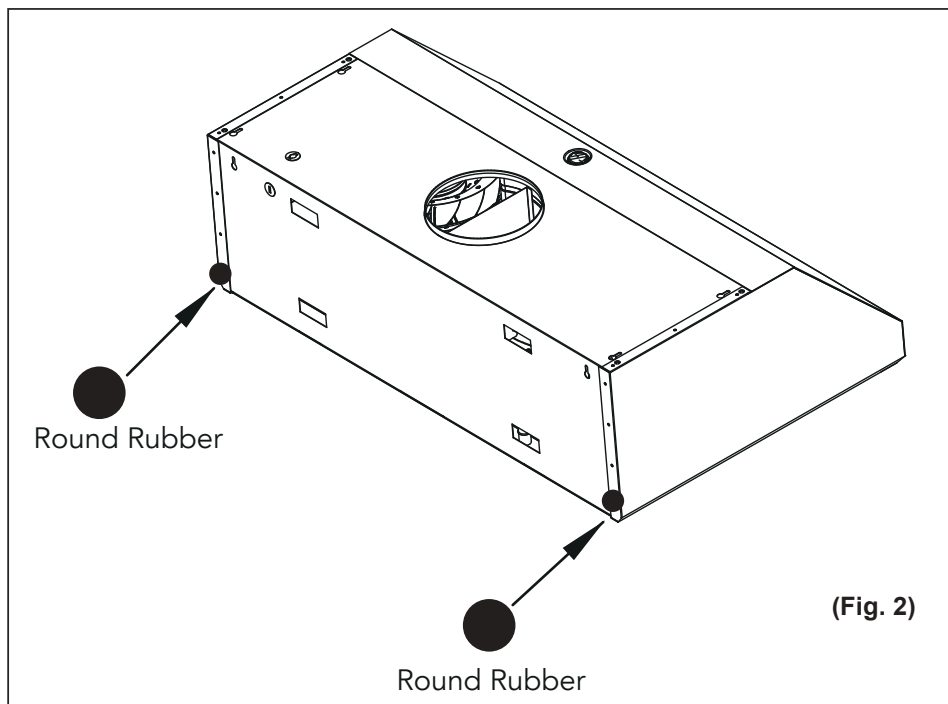
- 13.Install the deflector board and oil cup.
Press the left and right side clip to engage the deflector board with clip holder.(see Fig. 10)



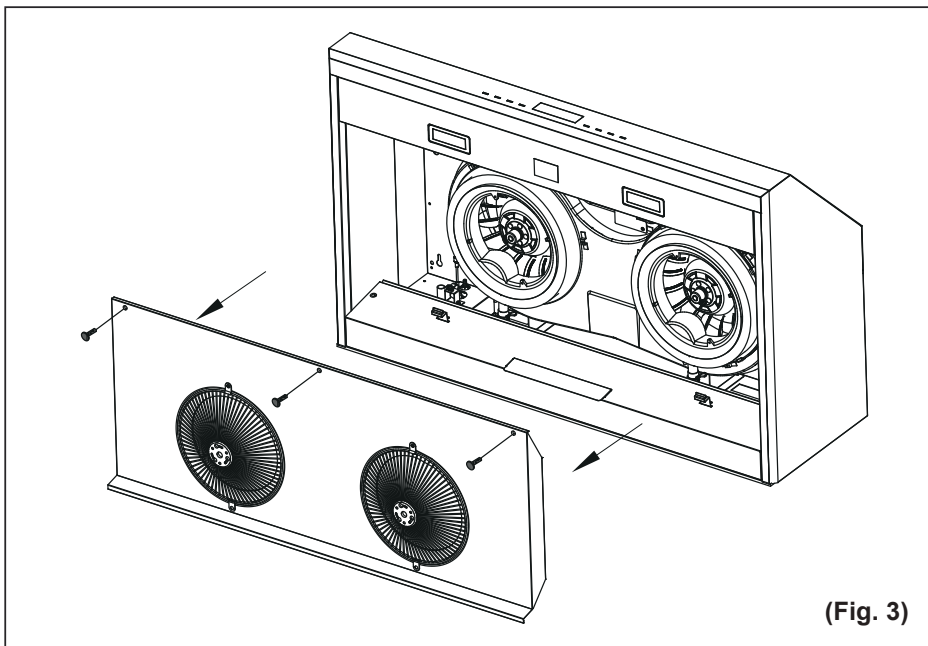
1. Open package to confirm contents and check product appearance.
2. Refer the mounting height on Page 9.
3. Locate the wooden beam and mark the location. (see Fig. 1)



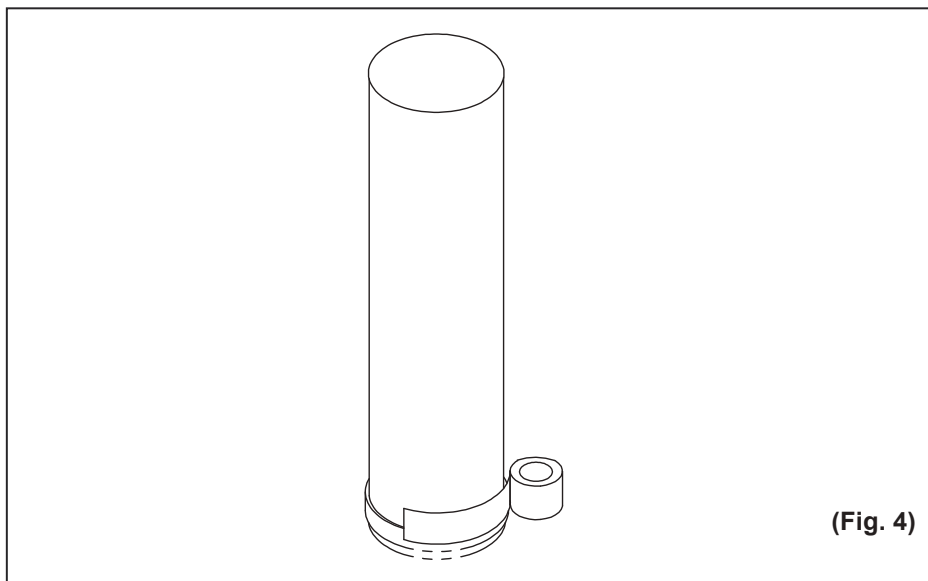
4. Attach the round rubbers on the lower back panel of the hood. (see Fig. 2)



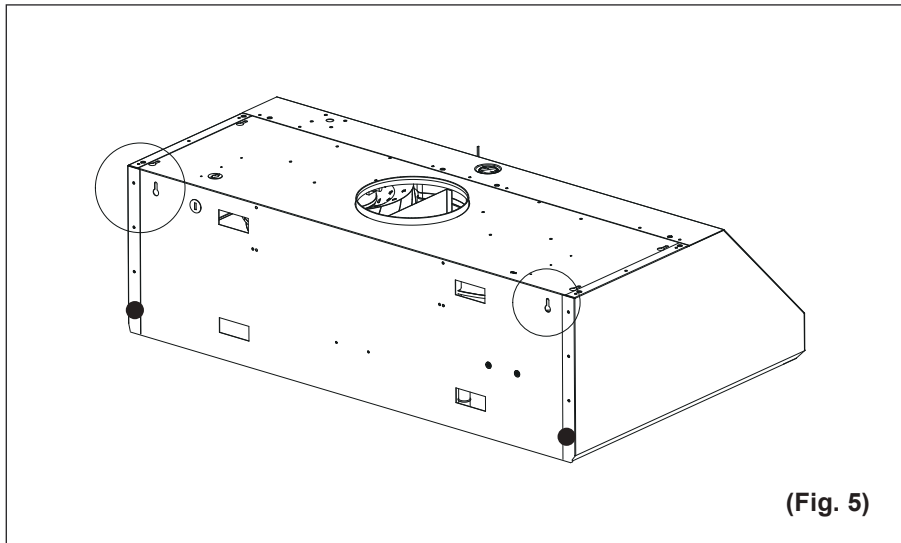
5. Remove bottom panel from hood using a Philips head screwdriver to remove each of the screws. Use caution when removing the bottom panel. Be careful not to scratch side panels during removal. (see Fig. 3)



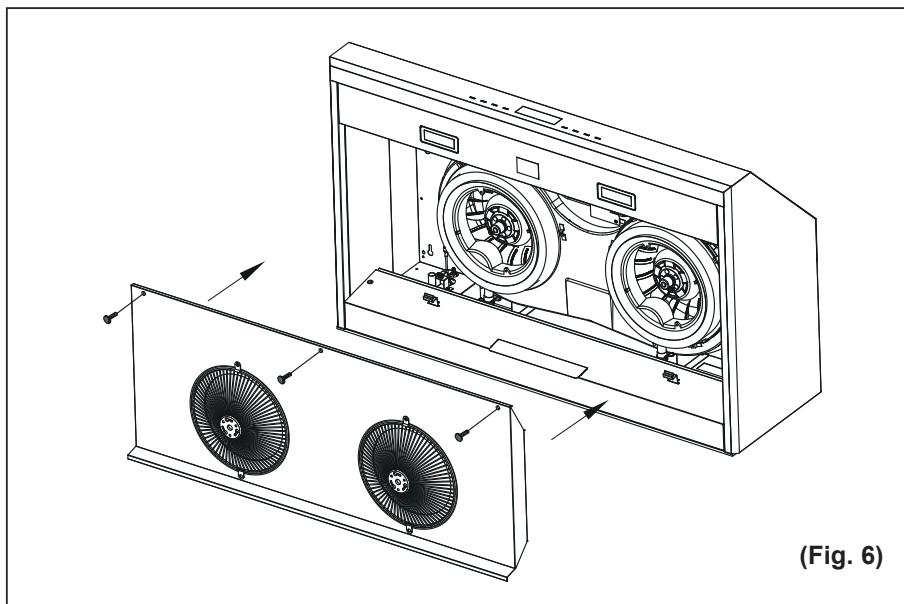
6. Install collar and duct work, then seal with aluminum duct tape. (see Fig. 4)



7. Then fasten (2) 6# x 2" screws with (2) 5 x 24 x 1T washers into wall on the back panel of the hood.
(see Fig. 5)

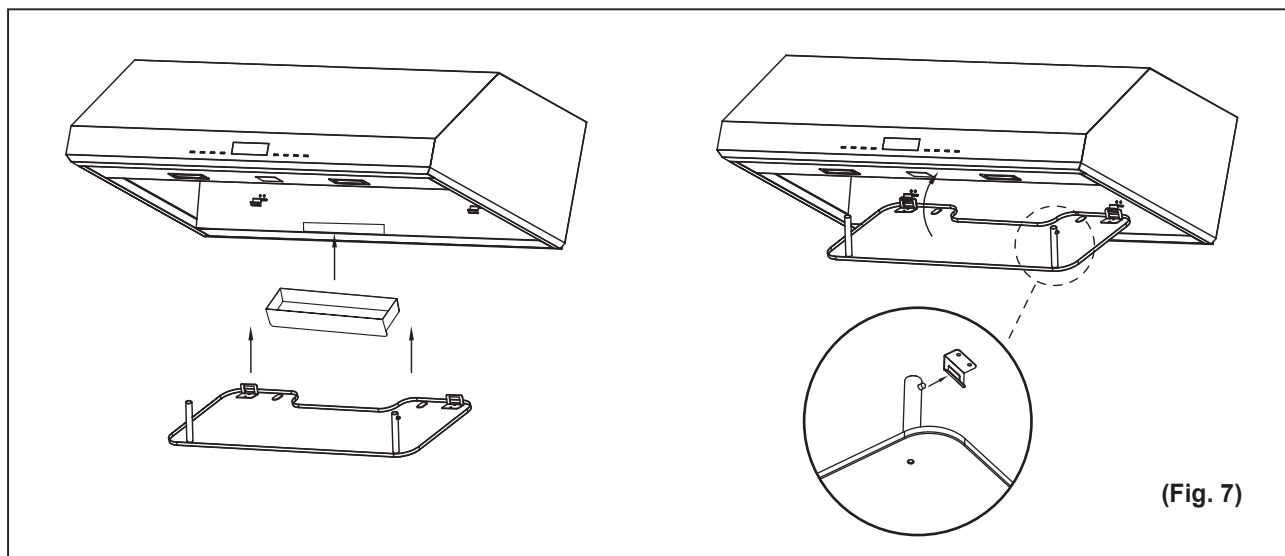


8. Install electrical.
9. Turn on the hood and check for any air leakage from the pipe around duct tape and test all functions.
10. Reinstall bottom panel. Use caution when installing bottom panel.
Be careful not to scratch side panels during installation. (see Fig. 6)



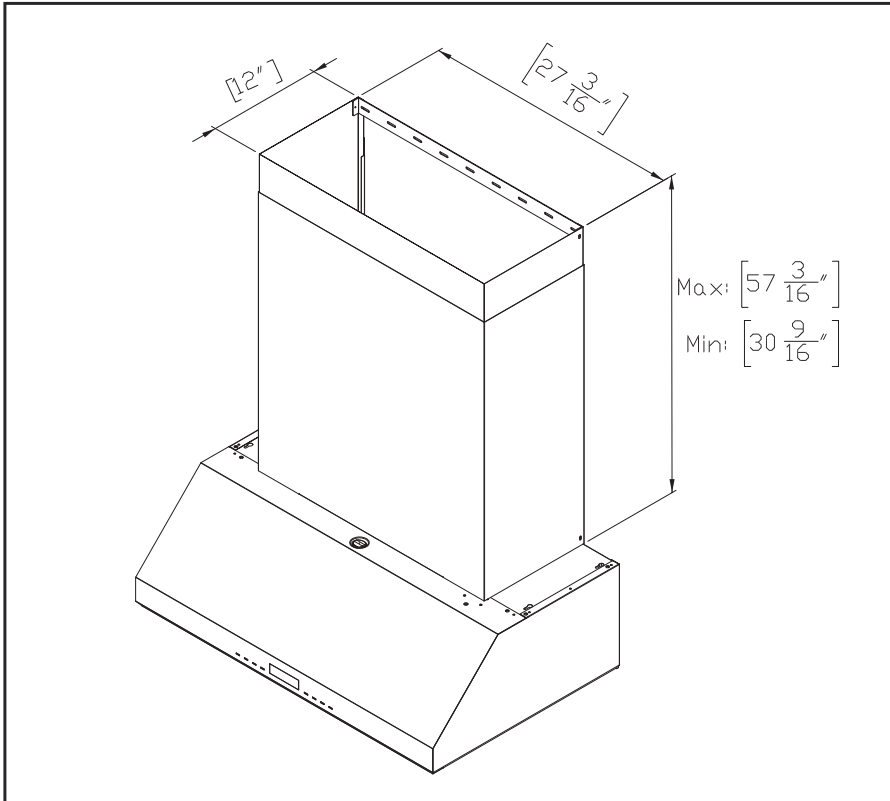
11. Install the deflector board and oil cup.

Press the left and right side clip to engage the deflector board with clip holder. (see Fig. 7)



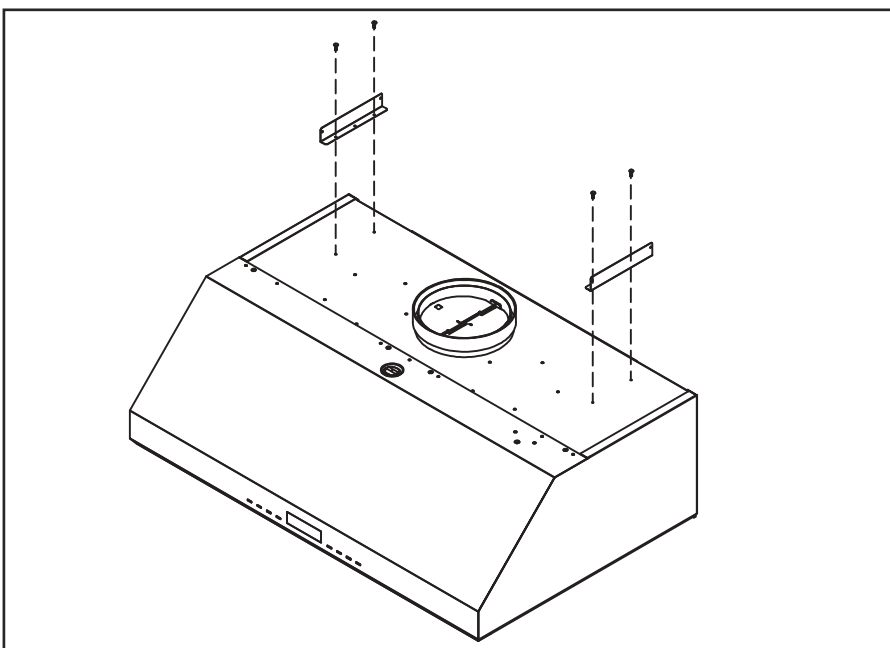
P1C-0098 Duct cover

- ▶ Optional Duct Cover : 30-9/16" - 57-3/16"
- ▶ Model #: P1C-0098
- ▶ Note: P1C-0098 is not supplied in the package, To order it, please visit us online at www.2pacific.com or call 888-833-8833.



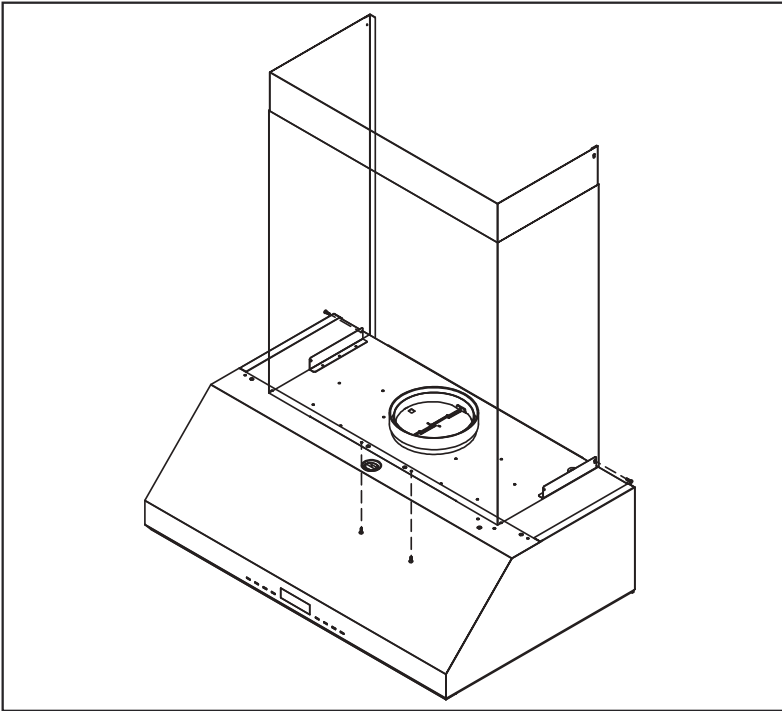
Installation

1. Attach the bottom bracket on the top of hood using (2) M4x8 screws to secure on each side.



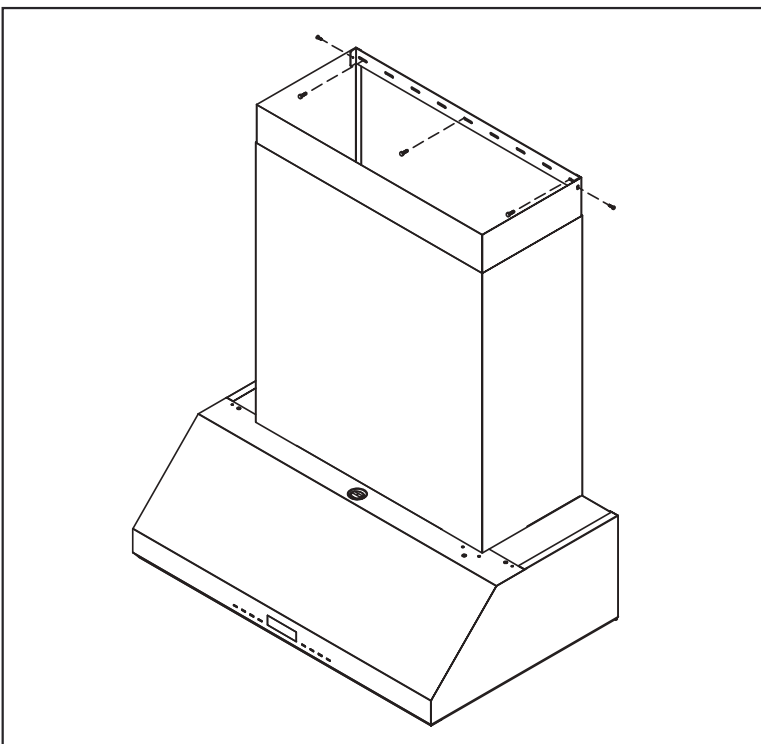
2. set the front of the lower duct cover against the front of the hood using (2) M4x8 screw to secure from inside of the hood.

Then secure the side of the lower duct cover to the bottom bracket by using (2) M4x8 screws.



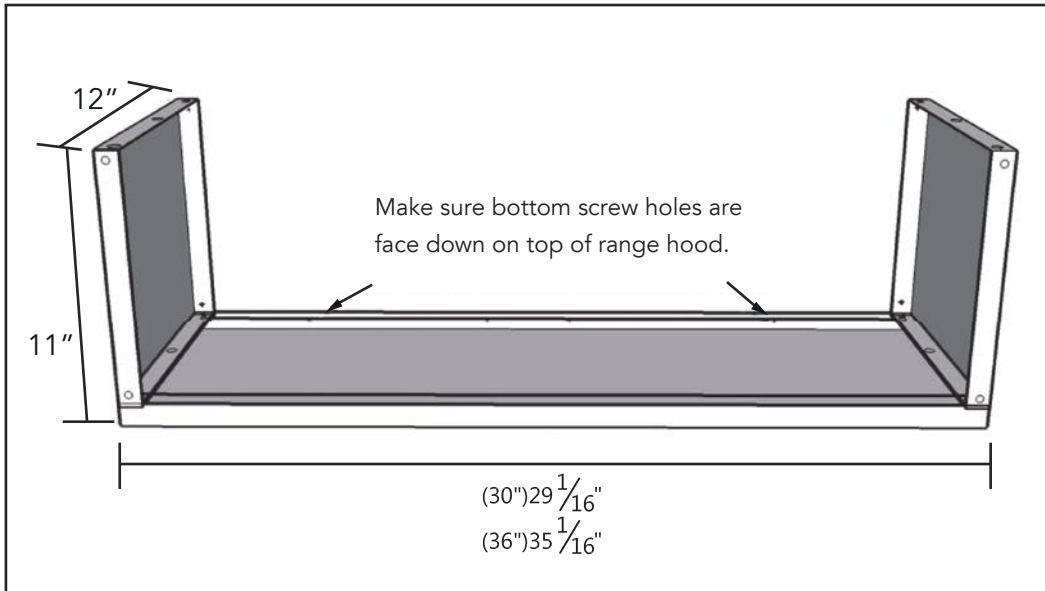
3. Center and attach duct cover bracket to wall below ceiling or soffit using (3) 6# x 1-1/2" screws.

Extend inner (top) duct cover upwards and secure to duct cover bracket using (2) M4x8 screws.



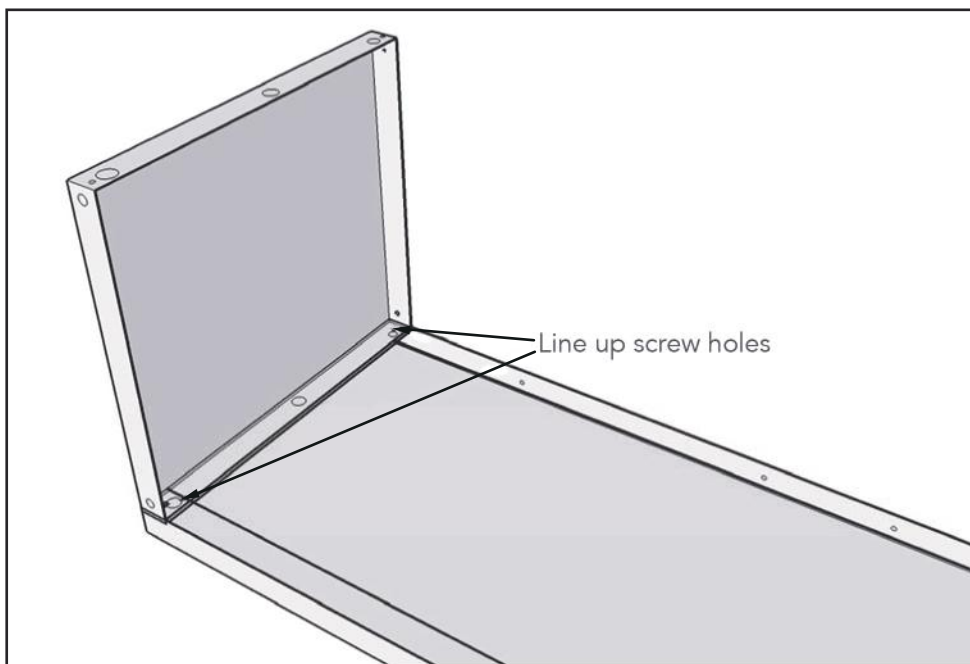
SC0930/SC0936 Duct cover

- ▶ Optional Duct Cover :12"
- ▶ Model #: SC0930 (30") / SC0936 (36")
- ▶ Note: SC0930/SC0936 is not supplied in the package, To order it, please visit us online at www.2pacific.com or call 888-833-8833.

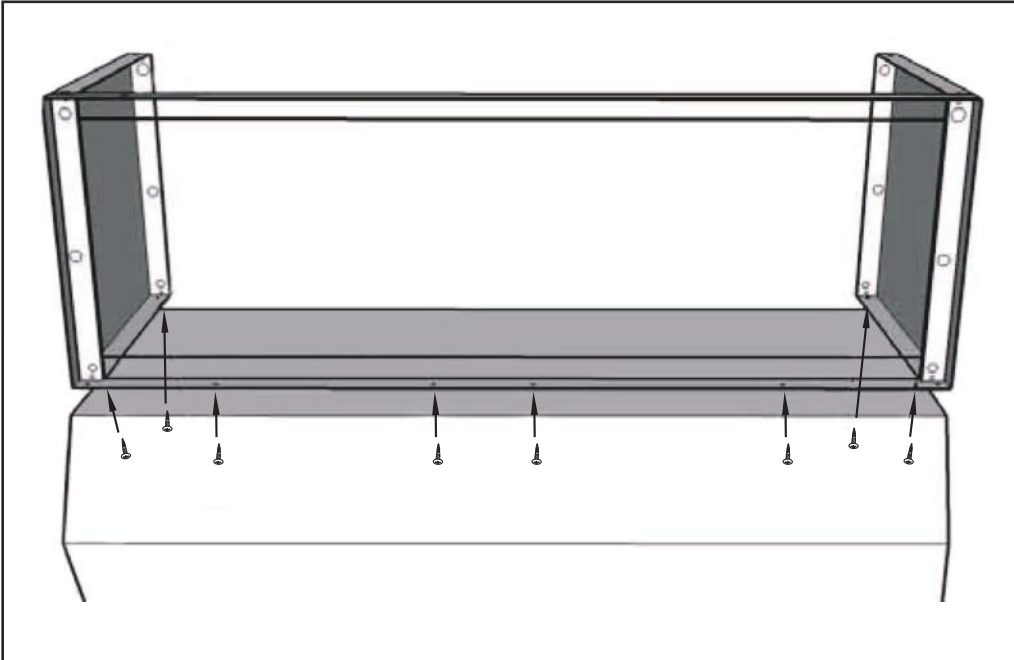


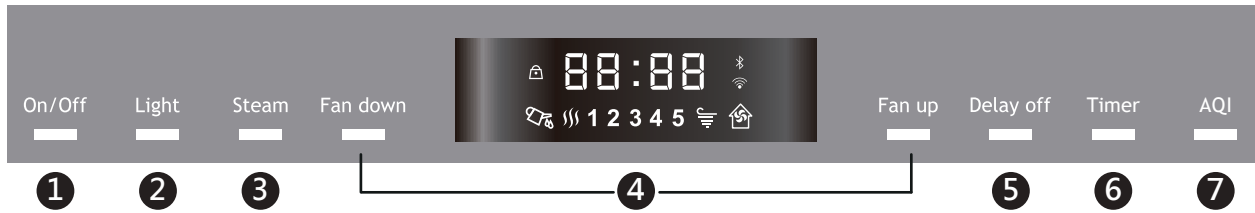
Installation

1. Aligning the screw holes for both side panels against the center panel with screws provided.



2. Place assembled duct cover on top of hood. Make sure the screw holes of the center panel are facing down and match up with the holes on top of hood.
3. Attach the duct cover to the top of hood by securing the rest of the screws to it from the inside of the hood.





PROXIMITY SENSOR

- ▶ Approaching the hood while the power is off, the clock will illuminate.
- ▶ If neither the fan nor lights are turned on within 60 seconds, the clock will turn off.
- ▶ The icons will not disappear until the fan and lights are turned off.

1. On/Off

- ▶ Press the On/Off button to power on or off the fan and lights.
- ▶ The hood has a memory function to remember the last used settings for the fan and lights.
- ▶ Lock Screen :
While the fan is off, press and hold the On/Off button for 3 seconds, the icon will illuminate. The purpose of this function is to clean the control easily. Press and hold the On/Off button for another 3 seconds until the icon is disappeared to unlock the screen.

2. Light

- ▶ Press the lights icon to change lighting level from 2, 1, off.

3. Steam

- ▶ While the fan is off, press the Steam button to start steam cleaning process, the icon will illuminate.
- ▶ When steam cleaning process is operating, Fan up and Fan down buttons are not available.
- ▶ When water level is low, the icon will illuminate until water is added.
- ▶ After 30 hours of fan use, the Steam indicator will begin to slowly blink indicating it is time to operate the steam cleaning process. The indicator will blink until steam cleaning process is operating.
- ▶ Steam clean function will auto-lock if the function senses an error, the Steam indicator will blink indicating an error.

4. Speed Selection Button

Fan up

- ▶ Press the Fan up button to increase fan speed from off, 1, 2, 3, 4, 5, 6 (Turbo).
- ▶ If hood is Off and the Fan up is pressed, fan will turn on Speed 1.

Fan down

- ▶ Press the Fan down button to decrease fan speed from 6 (Turbo), 5, 4, 3, 2, 1, off.
- ▶ If fan is on Speed 1 and the Fan down button is pressed, fan will power Off.

Turbo mode

- ▶ This speed level is intended to be used as a quick burst of air extraction when excess cooking fumes and smoke are generated. After 5 minutes the fan will automatically change to Speed 5.

ACT Enabled Speed Selections

- ▶ When ACT is enabled, the number of fan speeds will be reduced as follows:
 - (1) 390 CFM = Maximum 4 speeds
 - (2) 290 CFM = Maximum 3 speeds



5. Delay off

- ▶ While the fan is on, press the Delay off button to enable the delay off timer, it provides the options for either 3 or 5 minutes, press one time for 5 minutes, press again for 3 minutes, the delay off timer will automatically operate after 3 seconds when the timer is selected. The fan will change to speed 1, and the timer will begin counting down from 3 or 5 minutes. After the timer reaches 00:00, the fan and lights will power off.
- ▶ When delay off timer is operating, Fan up and Fan down buttons are available.

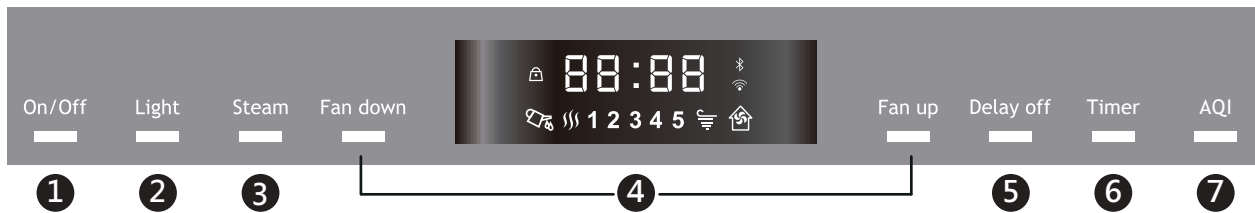
6. Timer

Alarm

- ▶ Press the Timer button one time to enable alarm function. Press Fan up button to increase minutes and Fan down button to decrease minutes. After completed the setting of minutes, press the Timer button second time to set the "hours". And press the Timer button again to start the alarm function. Press the Timer button to stop the alarm function.
- ▶ Under the setting mode, press and hold Fan up or Fan down button for 2 seconds, the timer will quickly increase or decrease numbers.
- ▶ If no buttons is touched for more than 6 seconds, while the hood is in alarm setting mode, the hood will exit the setting mode without saving the changes.
- ▶ The default time is 00:00(HH:MM), and the adjustment scope is 99:59(HH:MM). The second time usage will follow the last memorized time.
- ▶ When time is up, the display will illuminates "00:00" with beep sound. Press any button to stop the beep sound, the display of "00:00" will be disappeared, and then resume the original operating status. Or press the On/Off button to turn off the fan and lights.

Clock settings

- ▶ Press the Timer button for 3 seconds to enable alarm function. Press Fan up button to increase minutes and Fan down button to decrease minutes. After completed the setting of minutes, press the Timer button second time to set the "hours". And press the Timer button again to save the setting.
- ▶ Under the setting mode, press and hold Fan up or Fan down button for 2 seconds, the timer will quickly increase or decrease numbers.
- If no buttons is touched for more than 6 seconds, while the hood is in alarm setting mode, the hood will exit the setting mode without saving the changes.
- ▶ The default time is 00:00(HH:MM), and the adjustment scope is 12:59(HH:MM).



7. AQI

- ▶ While the fan is off, press the AQI button to start detecting the air quality near the hood, the icon will illuminate.
- ▶ After completed the detective, the icon will indicate the air quality level in three different colors.
 - (1) Green -The air quality is good, will keep the fan off.
 - (2) Orange - The air quality is moderate, the fan will automatically start operating at speed 2.
 - (3) Red - The air quality is poor, the fan will automatically start operating at speed 4. (When ACT 290CFM is enabled, the fan will automatically start operating at speed 3.)
 - (4) The fan will automatically turn off until the air quality is good. If the air quality is still moderate or poor after operating, it will indicate the air quality level in the screen.

8. Bluetooth®

- ▶ While the fan is off, press and hold the Fan down and lights buttons simultaneously for 3 seconds, the hood will be placed into Bluetooth®-pairing mode.
- ▶ The Bluetooth® pairing code is 123456.
- ▶ The Bluetooth® icon will illuminate when the device connected with the hood via Bluetooth®.
- ▶ The Bluetooth® icon will slowly blink when the device disconnected with the hood.

9. Wi-Fi

- ▶ The Wi-Fi icon will illuminate when the hood is connected to the Wi-Fi.

10. Motion Activation

- ▶ While the fan is off,
 - (1) Wave your hand in front of the control panel from left to right, the hood will turn on at speed 1.
 - (2) The hood has a memory function to remember the last used settings for the fan and lights.
- ▶ While the fan is on,
 - (1) Wave your hand before the sensor from left to right, the hood will operate at Turbo.
 - (2) Wave your hand before the sensor from right to left, the hood will turn off.

NOTE:

- (1) The distance between hand and the sensor should be no more than 2 inches.
- (2) The sensors are located at the right and left of the LCD screen.



1. Getting Started

Ensure your range hood is connected to a power source and within range of your WiFi network.
NOTE: The appliance supports 2.4 GHz WiFi networks only. To check your network frequency, contact your Internet service provider or refer to your wireless router manual.

2. App Install



Download the Pacific Kitchen + app.



NOTE: The Pacific Kitchen+ app is available on iOS devices using iOS 11.0 or later or Android devices using Android version 8 or later.

3. Binding

To add your hood, please scan the QR code located on the cover of your manual or inside the hood (typically located behind the oil cup).

mfd: 0122
model:
SC9836AS
serial:
1000001BUB



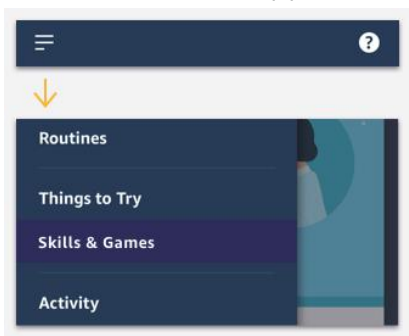
NOTE: You will need to place your hood into Bluetooth®-pairing mode during setup by holding the Fan Down and Light buttons simultaneously for 3 seconds. The Bluetooth® pairing code is **123456**.

4. Amazon Alexa and Google Home Connectivity

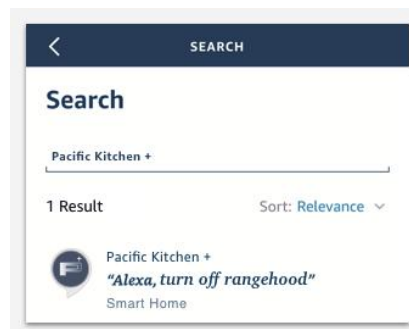


Amazon Alexa

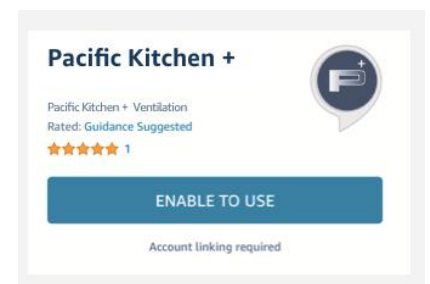
(1) Find Skill & Games in the ☰ menu of Alexa App.



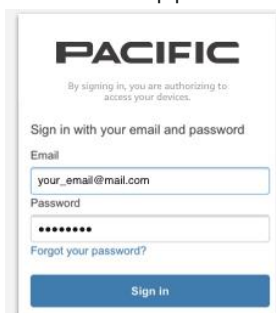
(2) Find "Pacific Kitchen +" in search bar.



(3) Click "ENABLE TO USE".



(4) Login with Pacific Kitchen + app account.

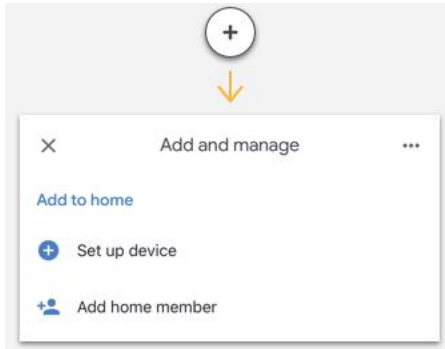


(5) Close the window to continue.

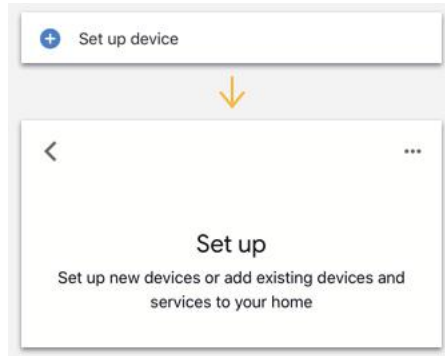


Google Home

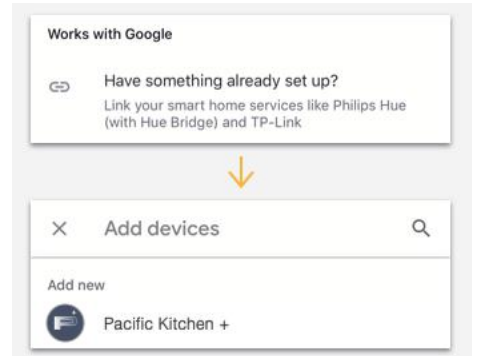
(1) In the Google Home App, click the ⊕ button and go to the "Add and manage" screen.



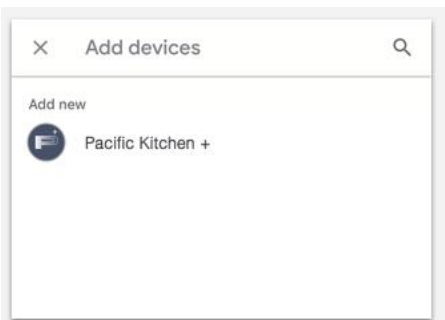
(2) Click "Set up device" to go to "Set up" screen.



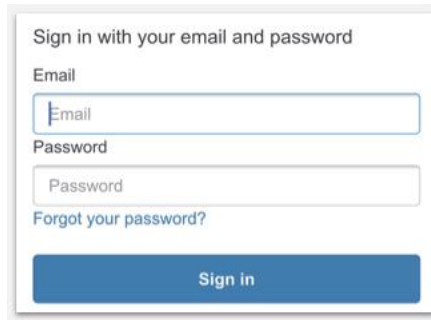
(3) Click "Have something already set up" to go to "Add devices" screen.



(4) Find "Pacific Kitchen +" in search bar and click "Pacific Kitchen +" from the list.



(5) Login with Pacific Kitchen + App account.



(6) Close the window to continue.

NOTE: Amazon Alexa support the voice commands in English only and Google Home support the voice commands in both English and Chinese.

Control Type	Amazon Alexa Voice Commands	Description
Power	Alexa, Turn on [Hood Name]	Turn on range hood power
	Alexa, Turn off [Hood Name]	Turn off range hood power
Fan	Alexa, Increase [Hood Name] Fan Speed	Increase fan speed on range hood
	Alexa, Decrease [Hood Name] Fan Speed	Decrease fan speed on range hood
	Alexa, Set [Hood Name] Fan Speed to [1-6]	Set range hood to specific fan speed
	Alexa, Set [Hood Name] Fan Speed to Maximum	Set fan speed to 6 on range hood
	Alexa, Set [Hood Name] Fan Speed to Minimum	Set fan speed to 1 on range hood
Light	Alexa, Turn on [Hood Name] Light	Turn on the light on on range hood
	Alexa, Turn off [Hood Name] Light	Turn off the light on on range hood
	Alexa, Increase [Hood Name] Light(s)	Increase light level on range hood
	Alexa, Decrease [Hood Name] Light(s)	Decrease light level on range hood
	Alexa, Set [Hood Name] Light(s) to High Alexa, Set [Hood Name] Light(s) to Bright	Set light level to High on range hood
	Alexa, Set [Hood Name] Light(s) to Low Alexa, Set [Hood Name] Light(s) to Dim	Set light level to Low on range hood
	Alexa, Set [Hood Name] Light(s) to [1-2]	Set range hood to specific light level
Delay-Off	Alexa, Set delay time to 1 minute on [Hood Name] Alexa, Set delay time to 2-10 minutes on [Hood Name]	Enable delay timer for 1~10 minutes. After 1~10 minutes, the hood will be power off.
	Alexa, [Start/Enable] [Hood Name] Delay Off Timer	Enable delay off timer for 10 minutes. After 10 minutes, the hood will power off.
	Alexa, [Stop/Disable] [Hood Name] Delay Off Timer	Disable delay off timer
Steam Clean	Alexa, Turn on [Hood Name] steam clean	Turn on the steam clean on range hood
	Alexa, Turn off [Hood Name] steam clean	Turn off the steam clean on range hood
Air quality	Alexa, Turn on [Hood Name] air quality	Turn on the air quality on range hood
	Alexa, Turn off [Hood Name] air quality	Turn off the air quality on range hood

Control Type	Google Home Voice Command	Description
Power	Hey google, Turn on [Hood Name]	Turn on range hood power
	Hey google, Turn off [Hood Name]	Turn off range hood power
Fan	Hey google, Increase [Hood Name] Speed	Increase fan speed on range hood
	Hey google, Decrease [Hood Name] Speed	Decrease fan speed on range hood
	Hey google, Set [Hood Name] to Speed [1-6]	Set range hood to specific fan speed
	Hey google, Set [Hood Name] to maximum speed	Set fan speed to the maximum on range hood
	Hey google, Set [Hood Name] to minimum speed	Set fan speed to the minimum on range hood
	Hey google, Set [Hood Name] to [1-2]	Set range hood to specific light level
Light	Hey google, Turn on [Hood Name] light(s)	Turn on the light on on range hood
	Hey google, Turn off [Hood Name] light(s)	Turn off the light on on range hood
	Hey google, Set [Hood Name] light(s) to High Hey google, Set [Hood Name] light(s) to Bright	Set light level to High on range hood
	Hey google, Set [Hood Name] light(s) to Low Hey google, Set [Hood Name] light(s) to Dim	Set light level to Low on range hood
	Hey google, Set [Hood Name] light(s) to [1-2]	Set range hood to specific light level
	Hey google, Set [Hood Name] light(s) to [1-2]	Set range hood to specific light level
Delay Timer	Hey google, Run [Hood Name] for [1-10] minutes	Enable delay timer for [1-10] minutes. After [1-10] minutes, the hood will be power off.
	Hey google, Start [1-10] minute timer on [Hood Name]	Enable delay timer for [1-10] minutes. After [1-10] minutes, the hood will be power off.
	Hey google, Stop [Hood Name] timer	Disable delay timer
	Hey google, Cancel [Hood Name] timer	Disable delay timer
Steam Clean	Hey google, Turn on [Hood Name] steam clean	Turn on the steam clean on range hood
	Hey google, Turn off [Hood Name] steam clean	Turn off the steam clean on range hood
Air quality	Hey google, Turn on [Hood Name] air quality	Turn on the air quality on range hood
	Hey google, Turn off [Hood Name] air quality	Turn off the air quality on range hood

Some local codes limit the maximum amount of CFM a range hood can move. ACT™ allows you to control the maximum blower CFM of select Pacific range hoods without the need for expensive make up air kits. ACT™ enables the installer to easily set the maximum blower speed to one of three most commonly specified CFM levels; 390, or 290 CFM. The usage of ACT™ may not be necessary for your installation. Please check your local codes for CFM restrictions.

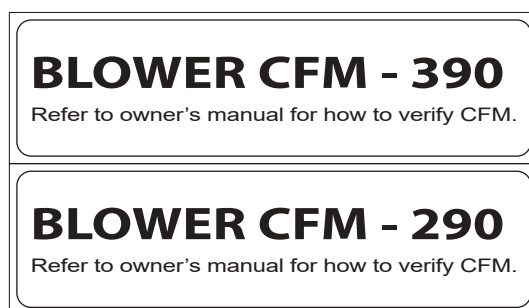
Enabling ACT™

1. With the hood off, press and hold the On/Off and Lights buttons simultaneously for three seconds, fan speed indicators illuminate for 3 seconds to show current setting.
Under the ACT verification mode, press the Fan up button to enable setting mode, the fan speed indicators will illuminate and slowly blink.
2. Set the maximum CFM to 390CFM: press the Fan up button until the **1 2 3 4** illuminate.
Set the maximum CFM to 290CFM: press the Fan up button until the **1 2 3** illuminate.
3. Press the On/Off button to save the settings and leave setting mode.

NOTES: If no buttons is touched for more than 6 seconds, while the hood is in ACT enabling mode, the hood will exit the setting mode without saving the changes.

ACT Verification

1. With the hood off, press and hold the On/Off and Lights buttons simultaneously for three seconds, fan speed indicators illuminate for 3 seconds to show current setting.
 - (1) Default maximum CFM: **1 2 3 4 5** fan speed indicators illuminate.
 - (2) 390 maximum CFM: **1 2 3 4** fan speed indicators illuminate.
 - (3) 290 maximum CFM: **1 2 3** fan speed indicators illuminate.
2. There should also be a foil label located inside the hood body near the rating label. (see Fig. 1)



(Fig. 1)

Surface Maintenance

1. Please clean the range hood surface regularly with warm soapy water and wipe with a cotton cloth to prevent grease from accumulating.
2. Please do not use harsh cleansers or coarse material to clean the surface because that will damage the surface.
3. A non-invasive stainless steel polish is recommended to polish the surface after cleaning.
4. Please use soft cloth for polishing because it will make your range hood surface shinier.
5. Please do not use cleaning solutions that have bleach as an ingredient.

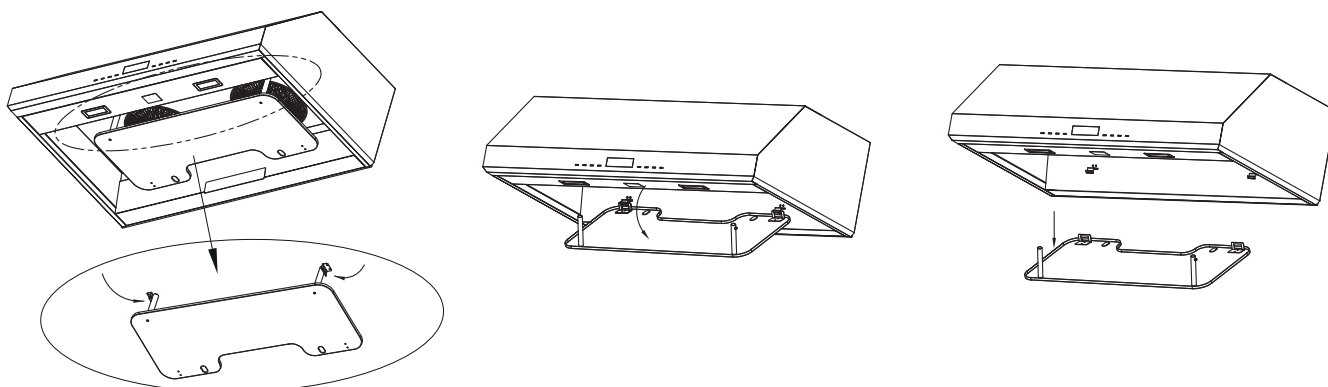
Surface Cleaning and Maintenance

1. Always disconnect from power supply before cleaning.
2. Clean both exterior and interior of the hood for long lasting. Do not use abrasive cleanser.
3. Although the deflector board should never need replacing, they are required to be cleaned every 30 days or more often depending on cooking habits. Deflector board may be placed in dishwasher at low heat or soaked in hot soapy water.

Dry the deflector board and re-install before using hood.

Detached the deflector board by pressing the left and right side clip to disengage the deflector board from the bottom panel.

4. The oil cup located in the bottom center of the hood for holding grease can be detached and cleaned regularly.
5. Please turn on the range hood before turning on the stove to avoid high temperature in the kitchen.

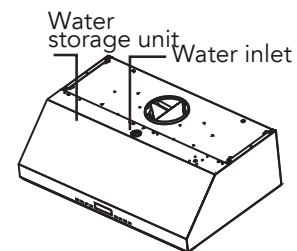


Functions

1. The range hood should be cleaned by using distilled water or decalcified water only. The cleaning process works by centrifuga force and cleaning power generated by revolving motors at high speed, It will keep the inside of the blower housing clean and prolong the lifespan of the range hood.
2. Steam clean function will auto-lock if the function senses an error, the indication light of user interface will blink indicating an error. Please contact supplier for details or repair.

Operating Instructions

1. Pour distilled water or decalcified water into provided jar.
2. Pour distilled water or decalcified water from the jar into the hidden water storage unit of the range hood through the water inlet as shown in the picture. First time use the hood, please pour the volume of two provided jars.
3. Press the steam clean button to start the motors and the distilled water or decalcified water will be discharged automatically and cleans the inside of the range hood.
4. The oil retainer shall be taken out to remove the dirty oil once the dirty oil and residue reaches the window of oil retainer to prevent spillage.



Precautions

1. Use distilled water or decalcified water for steam clean.
2. Use the provided jar to pour distilled water or decalcified water.
3. Consumers are advised to clean the range hood twice a week. It may be cleaned less frequently according to individual needs.
4. When filling the range hood with the distilled water or decalcified water, use only the provided jar. Take precautions not to overfill the cleaner storage unit.
5. Check and empty the oil retainer after the cleaning process to prevent oil spillage. Do not allow dirty oil and residue to exceed the height of window.
6. Do not put any other substances into the water storage unit as this will cause blockage of its steam nozzle.
7. Suggest to take out the oil retainer to remove the dirty oil after every steam clean.
8. When using the steam clean function for the first time you might see some vapors or smell smoke from the hood, this is the anti-rust oil from the heating block evaporating after heating and should not be cause for alarm.

Possible Problem	Possible Cause	Solutions
After installation, the unit doesn't work.	The power source is not turned ON.	Make sure the circuit breaker and the unit's power is ON.
	The power line and the cable locking connector is not connecting properly.	Check the power connection with the unit is connected properly.
	The switch board or control board wirings are disconnected.	Make sure the wirings at the switch board and control board are connected properly.
	The switch board or control board is defective.	Change the switch board or control board.
	The wires on control board are loose.	Make sure the wires on the control board are connected properly.
Light works, but blower is not turning.	The blower wire is not connected.	Check all wirings from the blower to be sure all cables are properly connected.
	The thermally protected system detects if the blower is too hot to operate and shuts the blower down.	The blower will function properly after the thermally protected system cool down.
	The switch board or control board is defective.	Change defective part.
	The blower is defective, possibly seized.	Change the blower.
The unit is vibrating.	The blower is not secured in place.	Tighten the blower in place.
	Damaged blower wheel.	Replace the blower.
	The hood is not secured in place.	Check the installation of the hood.
The unit is whistling.	A filter is not in the correct position.	Adjust the filters until the whistling stops.
	The duct pipe connections are not sealed or connected properly.	Check the duct pipe connections to be sure all connections are sealed properly.
The blower is working, but the LumiLight LEDs are not.	The LumiLight LED connector is disconnected.	Connect the LumiLight LED connector.
	Defective LumiLight LED.	Change the LumiLight LED.
	The switch board or control board is defective.	Change the switch board or control board.
The hood is not venting out properly.	Using the wrong size of ducting.	Change the ducting to the correct size.
	The hood might be hanging too high from the cook top.	Adjust the distance between the cook top and the bottom of the hood within 26" and 32" range.
	The wind from the opened windows or opened doors in the surrounding area are affecting the ventilation of the hood.	Close all the windows and doors to eliminate the outside wind flow.
	Blockage in the duct opening or ductwork.	Remove all the blocking from the duct work or duct opening.

Possible Problem	Possible Cause	Solutions
The unit turns on by itself.	Remote control may be paired incorrectly.	Resynchronize the remote control to connect to a different channel
	Someone is controlling the hood via the Pacific Kitchen+ app.	Determine who is controlling the hood with the app.
Mesh filter is vibrating.	Filter is loose.	Make sure the metal clips in the handle are not stuck or replace the mesh filter.
	Spring clip is broken on the filter.	Uninstall and re-install filter. Push up on filter latch. Replace filter if needed.
RF Remote control does not work.	Battery is dead.	Replace battery with type A23 12v.
	Poor communication with the hood.	Remote control must be within 15 ft of hood.
	RF Remote lost communication with the hood.	Reset hood and remote by switching power off at the circuit breaker for 5 minutes. Place remote on counter top near the hood and switch the circuit breaker back on.
	Blue antenna wire is not extended.	Extend the blue antenna wire behind the light panel.
The range hood and user's device won't pair via Bluetooth®.	The user's phone does not have Bluetooth® enabled.	Enable Bluetooth® on the user's phone.
	The user's phone may be out of range.	Move closer towards the range hood.
	User hasn't inputted the Bluetooth® code to successfully pair.	Enter the pairing code, 123456.
	Range hood is not in Bluetooth® pairing mode.	Hold Fan Down and Lights simultaneously for 5 seconds to put the hood into pairing mode.
	There are multiple errors preventing the user's phone from pairing with the range hood.	Restart the user's phone and try again.
The range hood won't connect to Wi-Fi.	The user's router or modem is turned off.	Turn on the router or modem.
	The user's router is connected to a 5 GHz wireless frequency.	Connect to the 2.4 GHz band and attempt to reconnect.
	The user's coaxial cables are loose.	Tighten the coaxial cables connecting to the router or modem.
	The Wi-Fi on the user's phone is disabled.	Enable Wi-Fi on the phone.
	User is connecting to the wrong Wi-Fi network.	Verify that the correct Wi-Fi network is being connected to. The default Wi-Fi network name/SSID can be found on the router.
	The range hood is not in range of the Wi-Fi connection.	Move the router and modem closer to the range hood to increase connection strength.
	There are obstacles obstructing the Wi-Fi signal strength.	Move the router and modem closer to the range hood or move objects that are directly blocking the pathway to the range hood. Walls may reduce signal strength.

Possible Problem	Possible Cause	Solutions
User cannot change Wi-Fi connections.	The range hood and user's phone have already connected.	Enter Bluetooth® settings and forget the device to reset the process on the phone.
Cannot bind the hood to my Pacific Kitchen+ account.	Only one Pacific Kitchen+ account can be bound to the hood.	Log in using the Pacific Kitchen+ account that is already bound to the hood. Multiple devices can login using the same account.
Pacific Kitchen+ app won't register user inputs.	Wi-Fi is unstable and the range hood may have disconnected.	Ensure the router and modem are both turned on. Allow the range hood to reconnect.
	Range hood is experiencing difficulties connecting to the user's phone.	Check on the Wi-Fi connection and restart the application.
Pacific Kitchen+ app stuck on "Loading".	Wi-Fi is unstable and the range hood may have disconnected.	Ensure the router and modem are both turned on. Allow the range hood to reconnect.
	Range hood is experiencing difficulties connecting to the user's phone.	Check on the Wi-Fi connection and restart the application.

Fault Code

Possible Problem	Fault Code	Solutions
The control board cannot receive the signal of main PC board.	01 00	Please reset your range hood. Shut off the power at your breaker for 5 minutes and try again.
The control board cannot receive the signal of the steam PC board.	02 00	
The main PC board cannot receive the signal of control board.	04 00	
The steam PC board cannot receive the signal of control board.	08 00	Please contact Pacific product support and provide the fault code.
The temperature of IPM on main PC board is too high.	00 01	
The main PC board generates the IPM-FO signal.	00 02	
The running current of the main PC board is too low.	00 04	
The running current of the main PC board is too large.	00 08	
The heating mode of the steam PC board is abnormal.	00 10	
The temperature sensor of the steam PC board is abnormal.	00 20	
The water level is low.	00 40	The water level is low, please refill distilled water.
The AQL module is abnormal.	00 80	Please contact Pacific product support and provide the fault code.

Congratulations on your PACIFIC range hood purchase! Please take a moment to register your new range hood at

<https://www.2pacific.com/en-us/productregistration>



IT'S IMPORTANT

Prompt registration helps in more ways than one.

- Ensures warranty coverage should you need service.
- Ownership verification for insurance purposes.
- Notification of product changes or recalls.

PACIFIC KITCHEN LIFE | 390 Kansas St. | San Francisco, CA 94103 | 888-833-8833

To order parts, visit us online at www.2pacific.com



or call us at 888-833-8833

PACIFIC

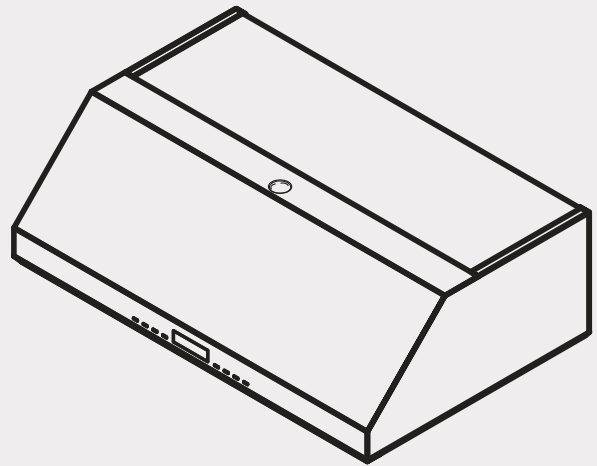
太平洋油煙機

排油煙機使用說明書

型號

SC9830AS, SC9836AS

TRÛSTEAM



(使用前，請先詳細閱讀此說明書)

ACT™
Airflow Control Technology

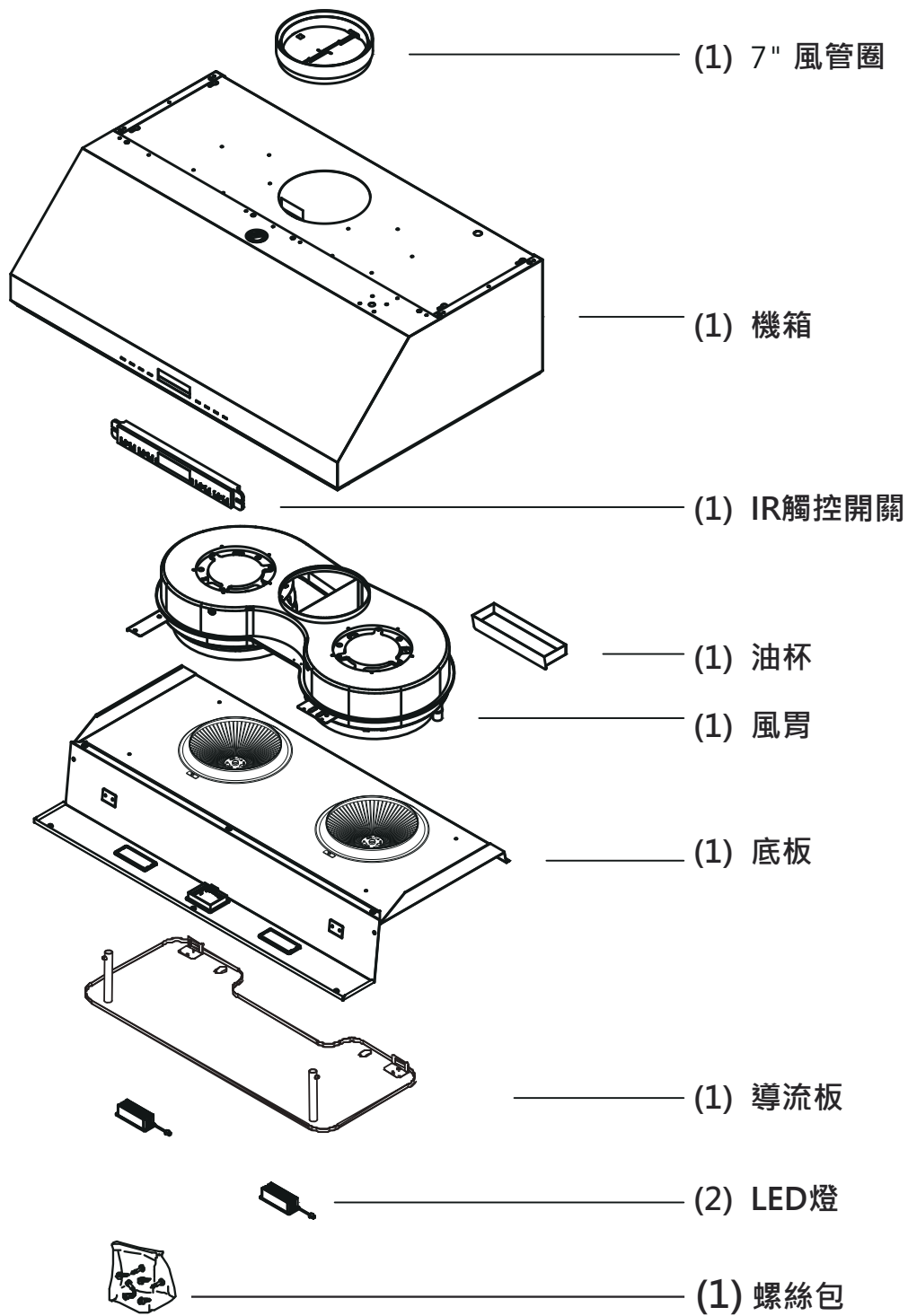


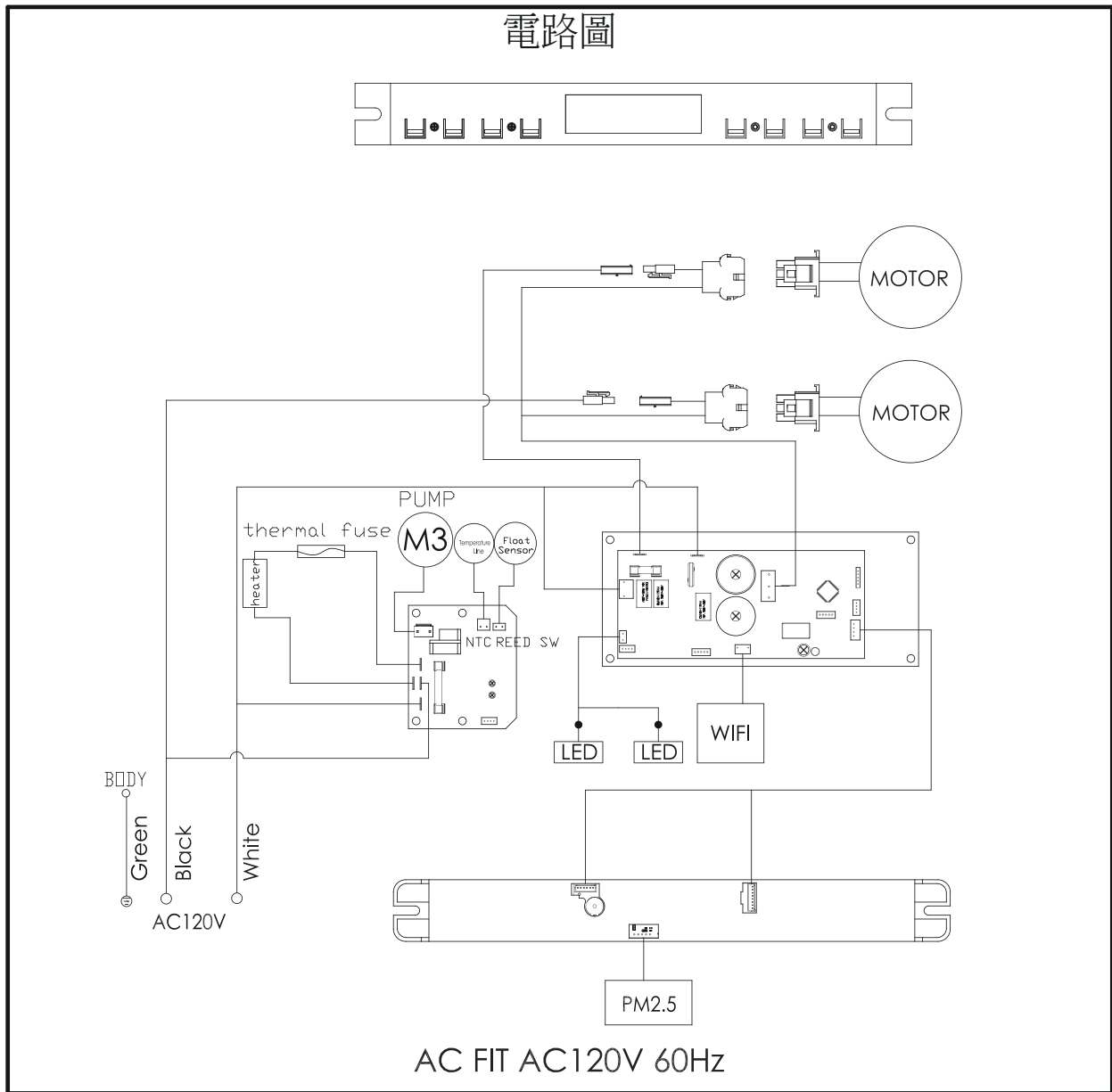
■ 功能簡介 / 性能規格	P1
■ 爆炸圖	P2
■ 電路圖	P3
■ 安裝尺寸	P4
■ 配件說明	P5
■ 安裝原則	p6
■ 安裝步驟 – 櫥櫃式	P7-10
■ 安裝步驟 – 壁掛式	P11-14
■ 安裝步驟- 選配風管飾板	P15-18
■ 按鍵說明	P19-21
■ 太平洋廚藝生活App設置	p22-23
■ 功能與控制	p24
■ 風量控制技術(ACT™)	P25
■ 機身表面保養和清潔	p26
■ 注意事項及警告標示	p27
■ 排除故障	p28-29

1. 全自動蒸氣洗功能
2. 瞬間抽風模式(Turbo Mode)快速將油煙排出
3. 揮手開啟/關閉抽油煙機
4. 記憶最後一次使用的風速及照明
5. 3分鐘及5分鐘自動延遲關機
6. 內建時鐘功能
7. 內建空氣品質偵測(AQI)
8. 風量控制技術(ACT™)
9. 適用太平洋廚藝生活App
10. 適用Google Home 及 Amazon Alexa

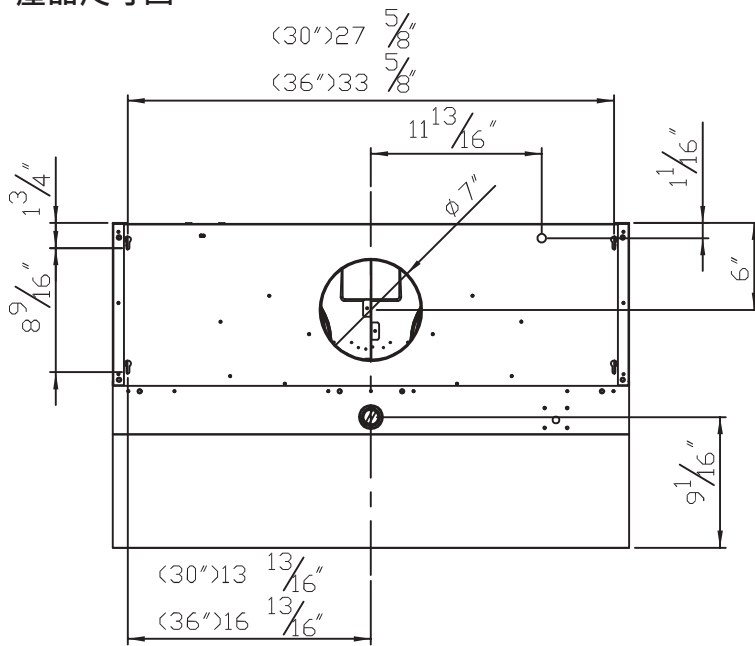
性能規格

型號	SC9830AS	SC9836AS
淨重 (磅)	55.6	59.3
尺寸	30"	36"
顏色	不鏽鋼	
尺寸 (英吋)	29-3/4" x 22-1/2" x 11"	35-11/16" x 22-1/2" x 11"
燈泡	6W LED x 2	
風管直徑	7 英吋(上出風)	
安裝方式	櫥櫃式/壁掛式	
最大伏特數	120 V – 60 Hz	
最大工作電流	8.4A/920W	
WiFi 連接	Google Home /Amazon Alexa	
最大風量	1200 CFM	
ACT™	290/390 CFM	

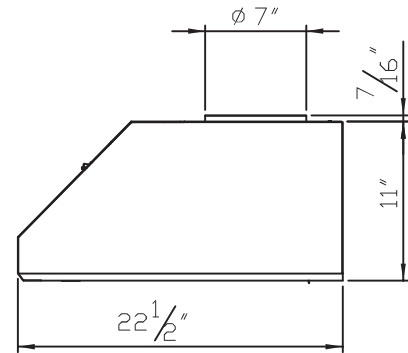




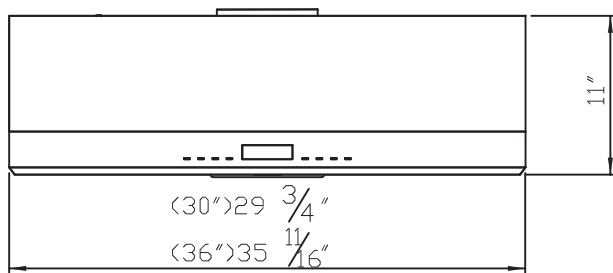
產品尺寸圖



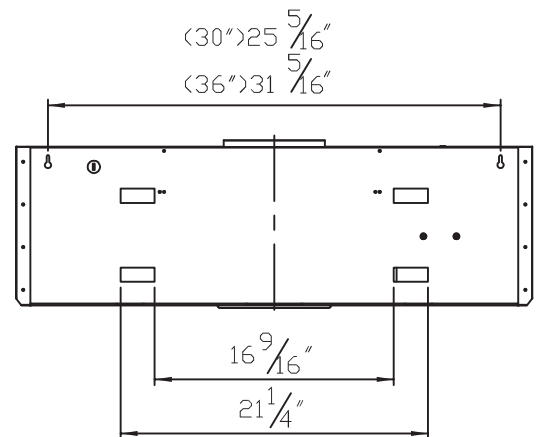
上視圖



側視圖

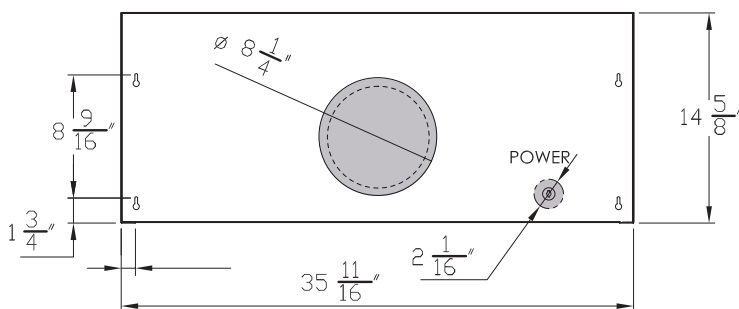


正視圖

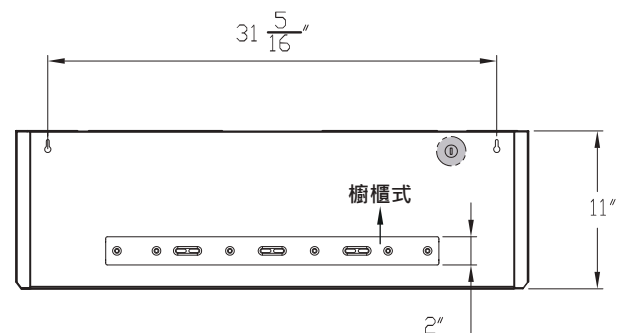


後視圖

安裝尺寸圖









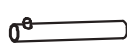
櫥櫃式

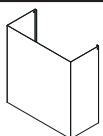
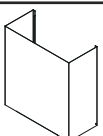
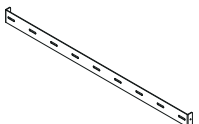
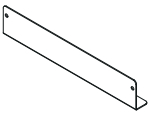


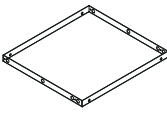
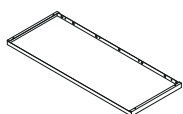



牆壁式

零配件一覽表

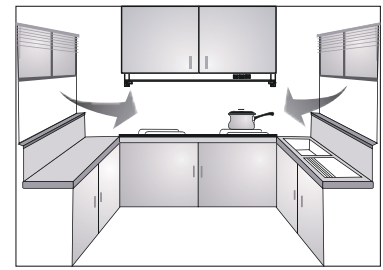
標準配置		
整機		1
7" 風管圈		1
油杯		1
說明書		1
安裝尺寸紙		2
主機吊掛片		1
螺絲包		1
電源線		1
抬腳		2
水箱蓋		1
水壺		1
導流板		1

螺絲包配件		
P3 螺母		3
#6 x 1吋 木螺絲		4
#6 x 1-1/2吋 木螺絲		4
#6 x 2吋 木螺絲		12
5 x 24 x 1T 華司		4
3/16 x 10吋 螺絲		2
導柱		2

配件(選配)		
伸縮式風管飾板 P1C-0098		
上風管飾板		1
下風管飾板		1
風管固定片		1
固定片		2
M4 x 8 螺絲		10
#6 x 1-1/2吋 木螺絲		3
12" 風管飾板 30"-SC0930 36"-SC0936		
側飾板		2
前飾板		1
M3.5 x 10吋 螺絲		12

1. 周圍環境

抽油煙機安裝位置如在窗上或附近有太多門窗，開動抽油煙機前先關閉門窗。(圖1)



(圖1)

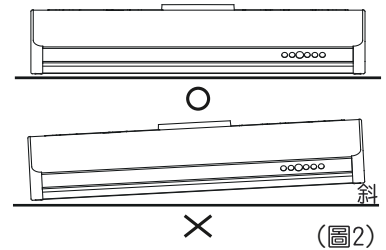
2. 安裝高度和機體位置

抽油煙機安裝高度:

量度安裝高度應從抽油煙機底部中心垂直量度至爐頭正上方。

抽油煙機體應保持左、右水平避免油杯積油溢出。(圖2)

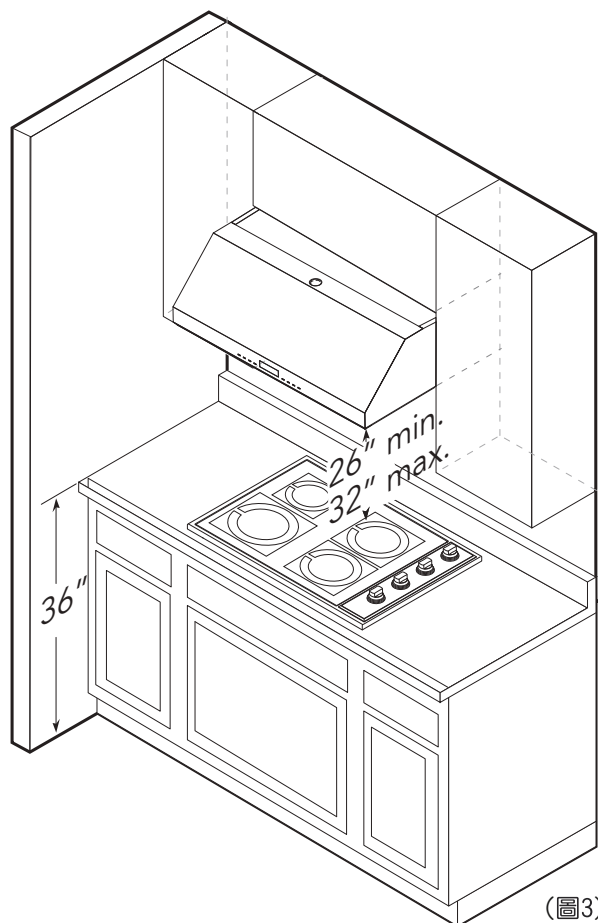
氣體煮食爐最低安裝高度26吋，最高安裝高度為32吋。(圖3)



(圖2)

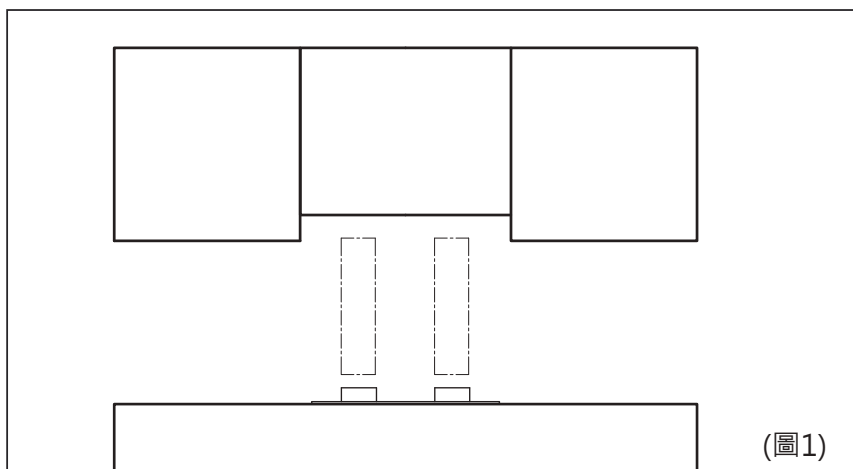
3. 出風口

出風口必須配合本機出風管接頭之直徑(7吋)及避免太多彎位，以免影響抽風效果。本機亦適用6吋出風口，但可能會影響抽風效果。將排風管安裝至風管圈並使用金屬膠帶固定。

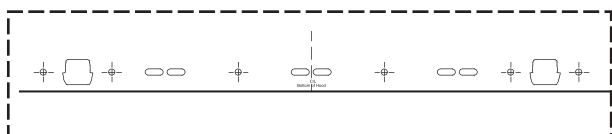


(圖3)

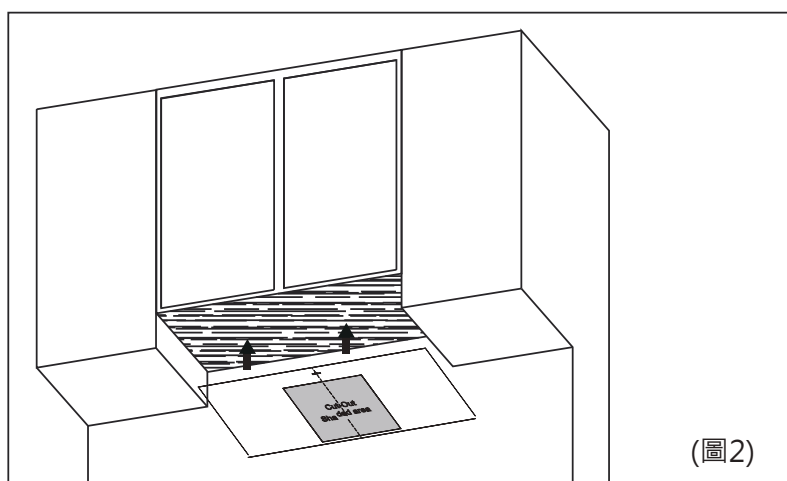
1. 打開包裝檢查附件及機器外觀。
2. 參考說明書第6頁的安裝高度。
3. 尋找壁面的支撐點並標註。(如圖1)



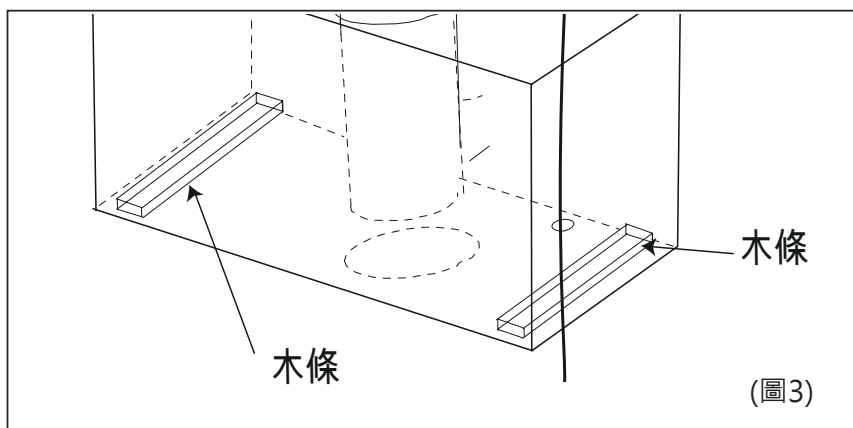
4. 將尺寸圖貼到牆面上並依照圖面鑽孔。



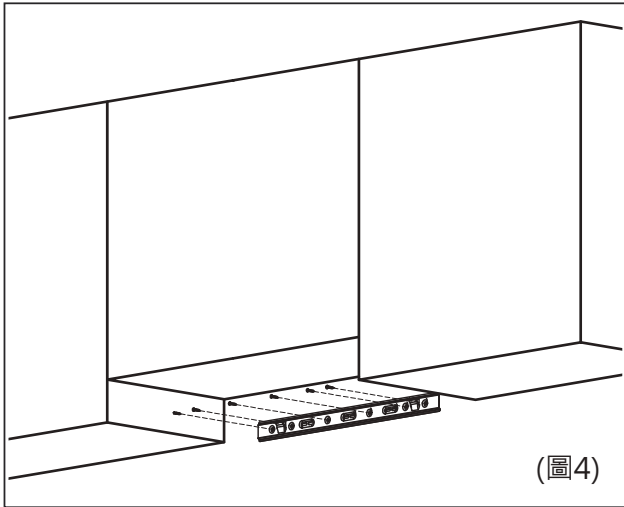
將櫥櫃尺寸圖印刷面朝下，貼到上方櫥櫃的底面，並依照圖上要求開孔和鑽洞，完成後撕下圖紙。(如圖2)



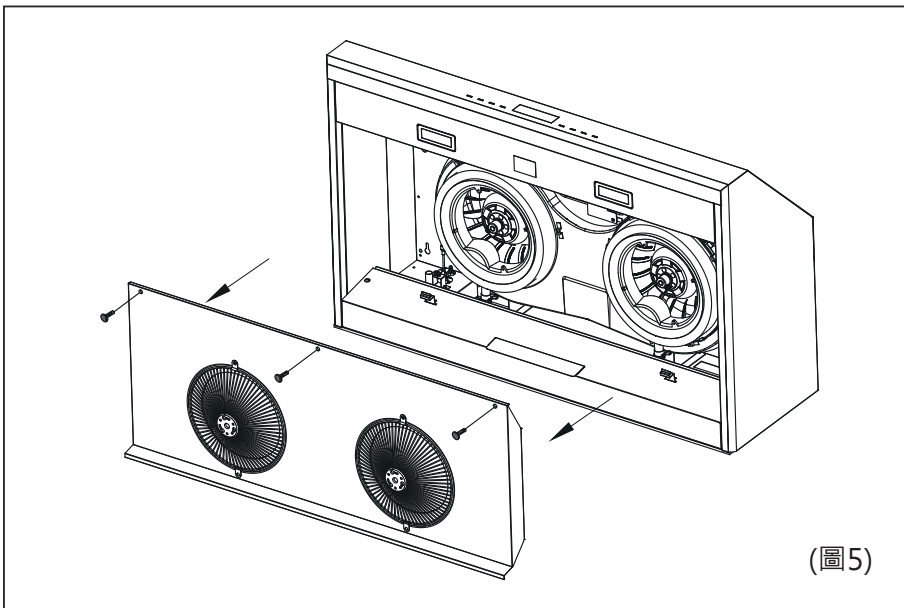
5. 如需增加櫥櫃強度可使用木條以增加櫥櫃底部強度。(如圖3)



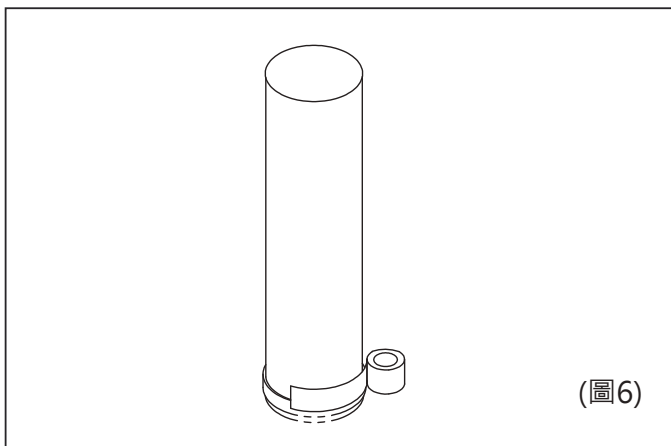
6. 使用(6) #6 x 2吋木螺絲將安裝固定片固定在牆壁上。(如圖4)



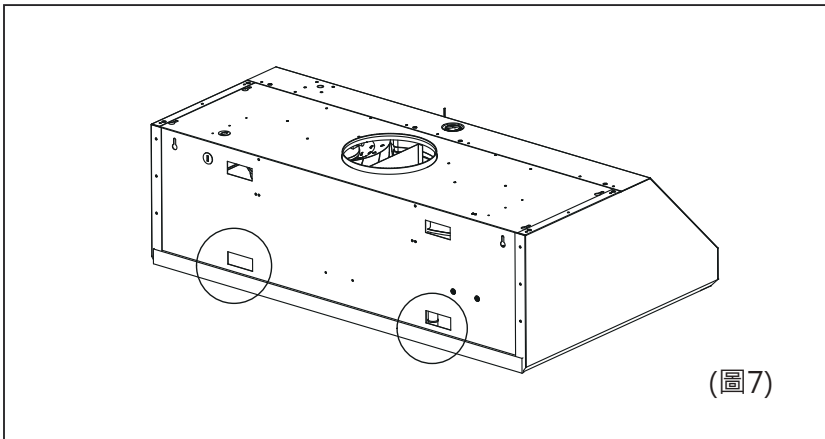
7. 使用十字螺絲起子移除煙罩上的3支螺絲並取下煙罩。
拆卸煙罩過程中請注意不要刮傷機器側板。(如圖5)



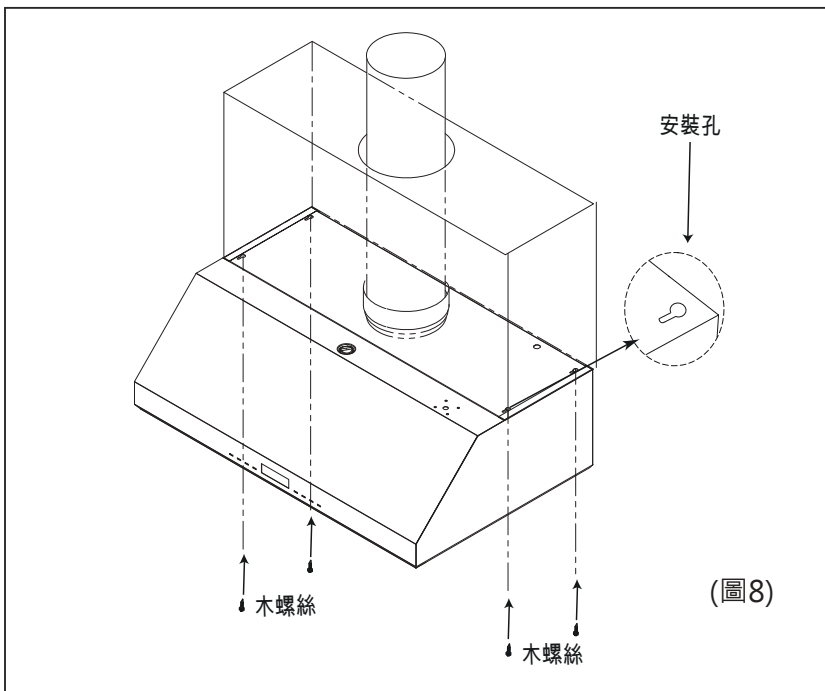
8. 安裝風管圈及風管並使用風管膠帶密封。(圖6)



9. 將機器抬起並將安裝固定片插入機器背板下方2個安裝孔。(如圖7)



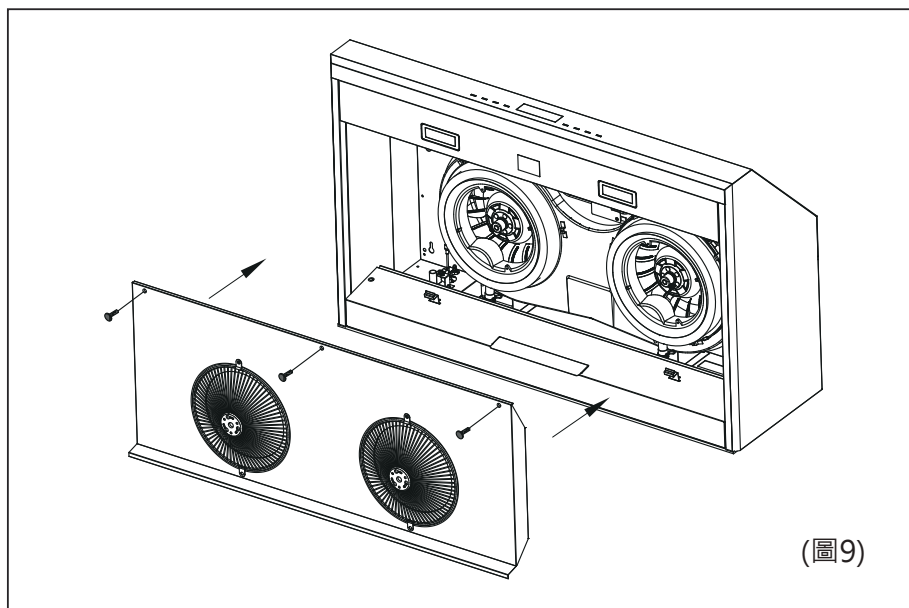
10. 並使用(4) #6木螺絲將機器固定在櫥櫃上。(如圖8)



11. 安裝電源線。

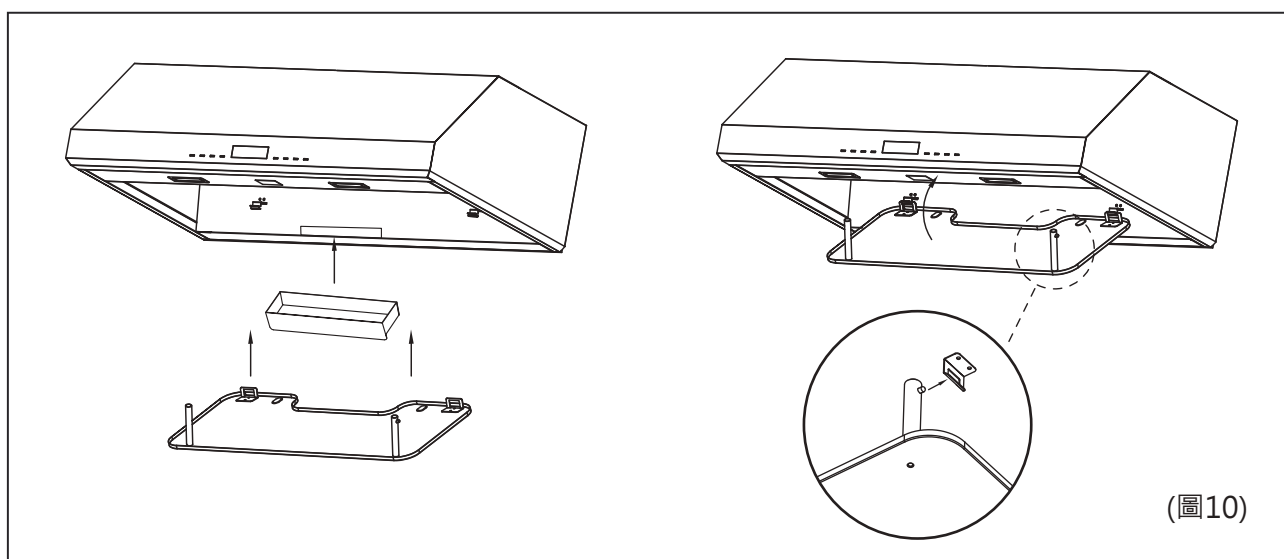
12. 接上電源並檢查風管連接處是否緊密及測試機器功能。

13. 將煙底板回，安裝底板過程中請注意不要刮傷機器側板。(如圖9)

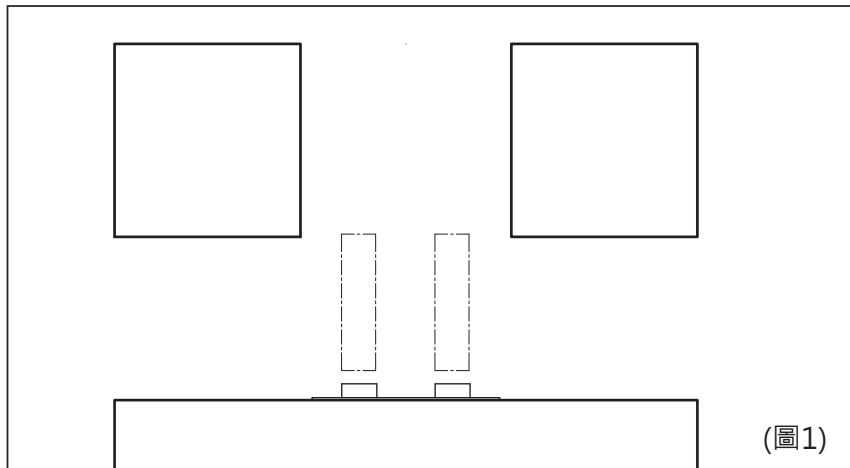


14. 將導流板及油杯裝回。

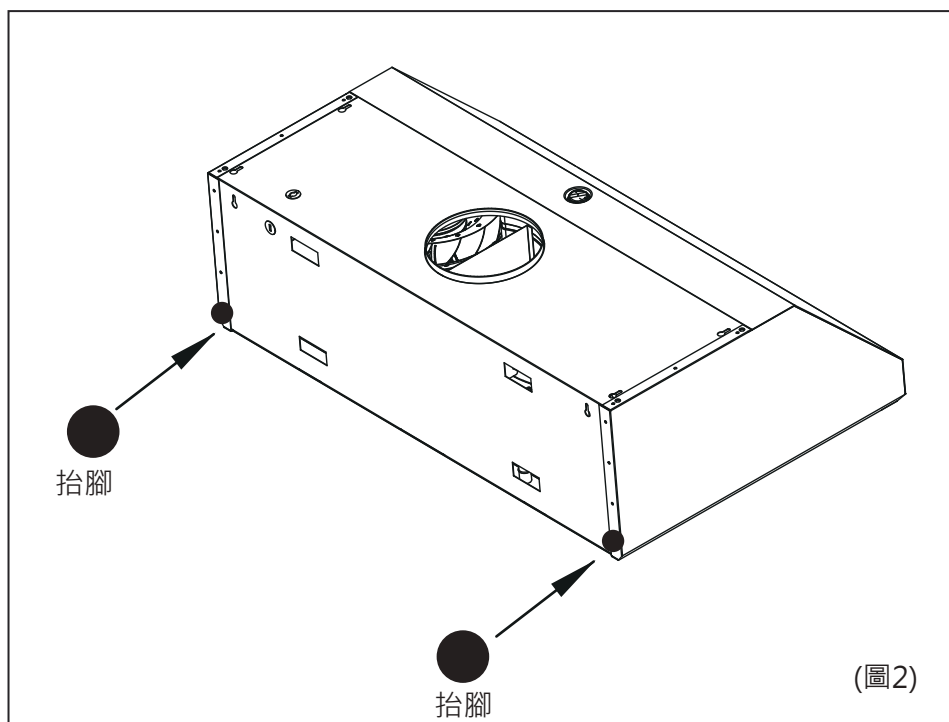
按下左側及右側彈片將導板固定於彈片固定座上。(如圖10)



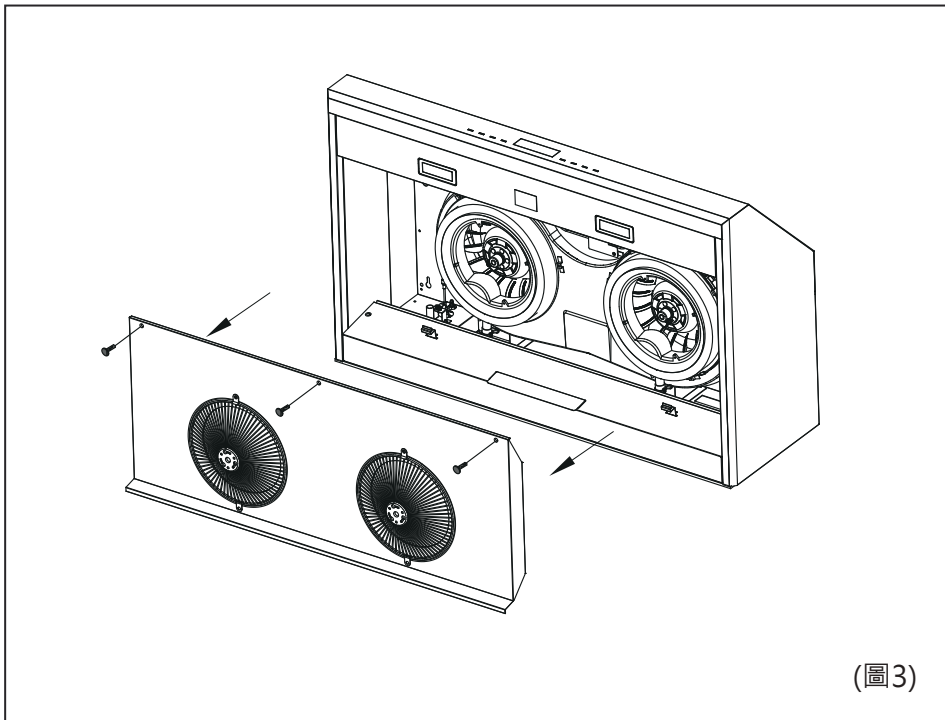
1. 打開包裝檢查附件及機器外觀。
2. 參考說明書第6頁的安裝高度。
3. 尋找壁面的支撐點並標註。(如圖1)



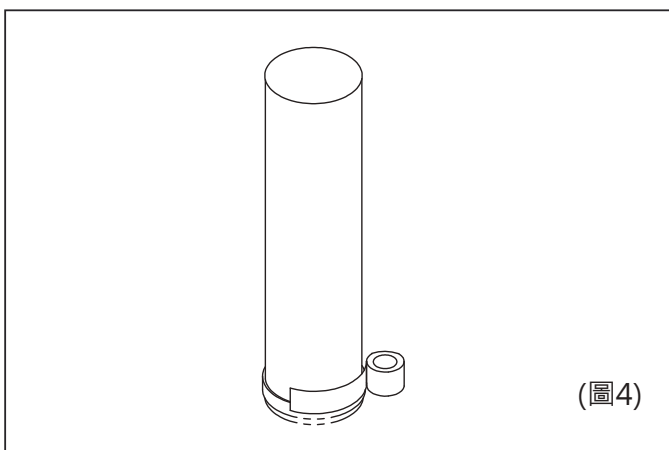
4. 將黑色抬腳貼在機器背板下方。(如圖2)



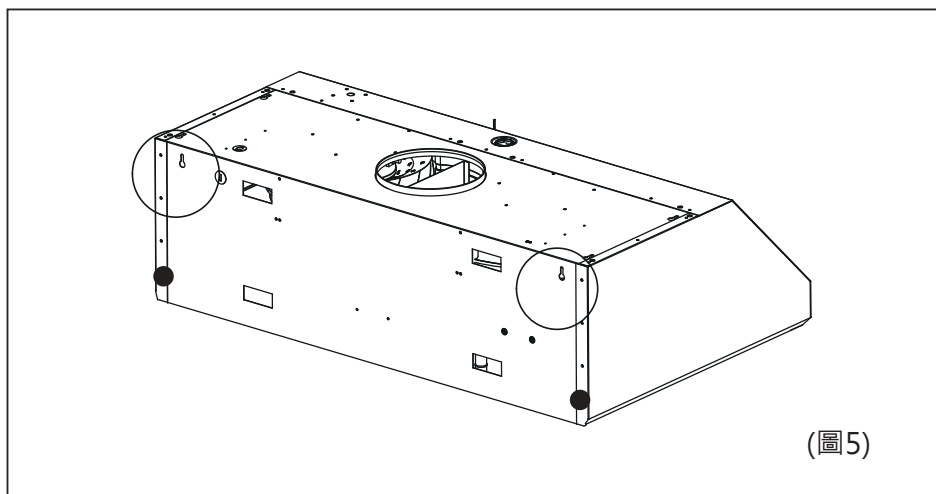
5. 使用十字螺絲起子移除底板上的3支螺絲並取下底板。
拆卸底板過程中請注意不要刮傷機器側板。(如圖3)



6. 安裝風管圈及風管並使用風管膠帶密封。(如圖4)



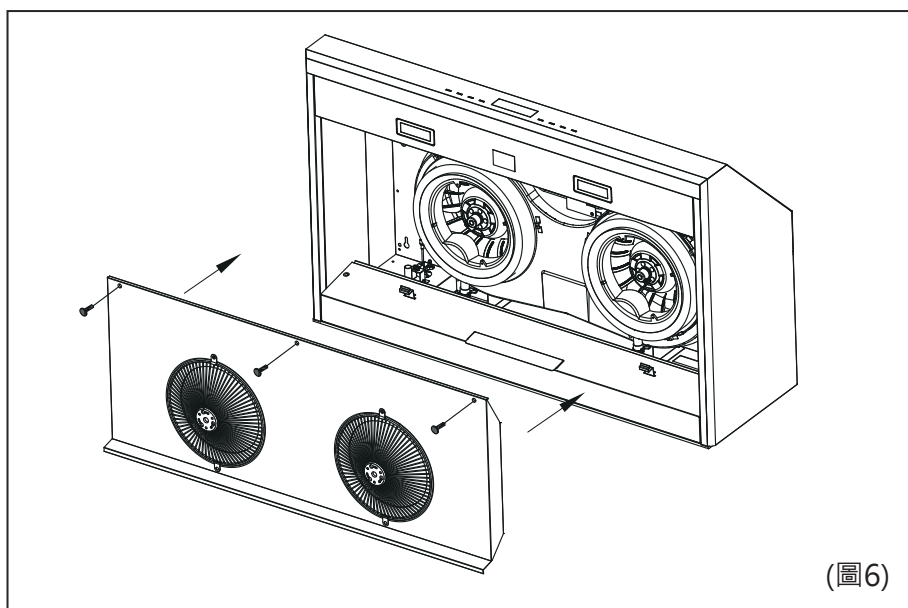
7. 使用(2) #6 x 2吋木螺絲+(2)5 x 24 x 1T 華司，將機器固定在牆壁上。(如圖5)



8. 安裝電源線。

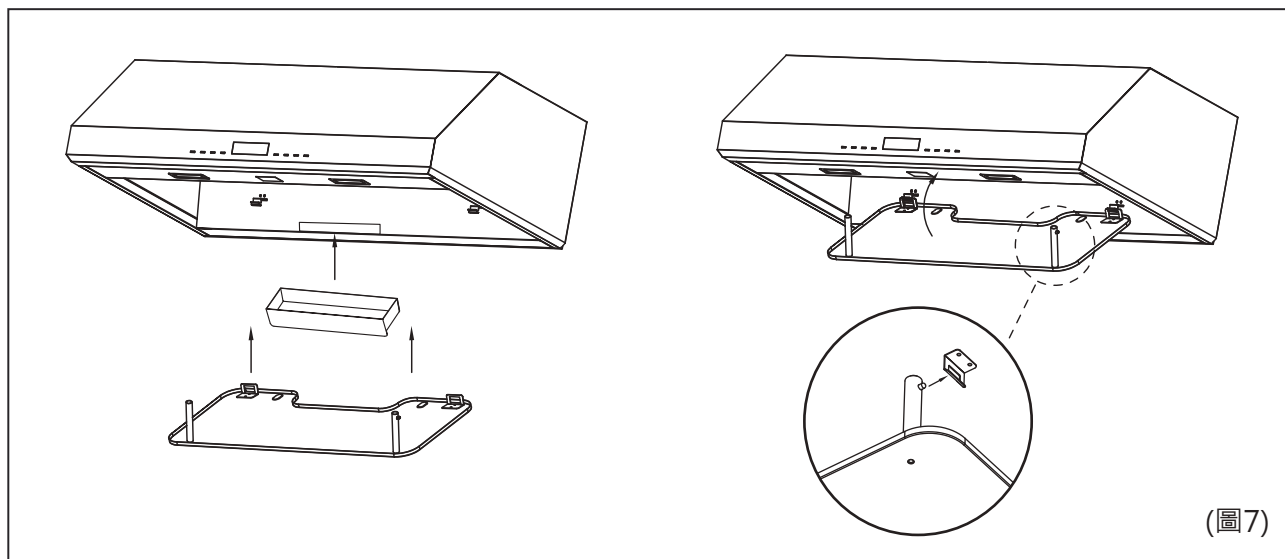
9. 接上電源並檢查風管連接處是否緊密及測試機器功能。

10. 將底板裝回，安裝底板過程中請注意不要刮傷機器側板。(如圖6)



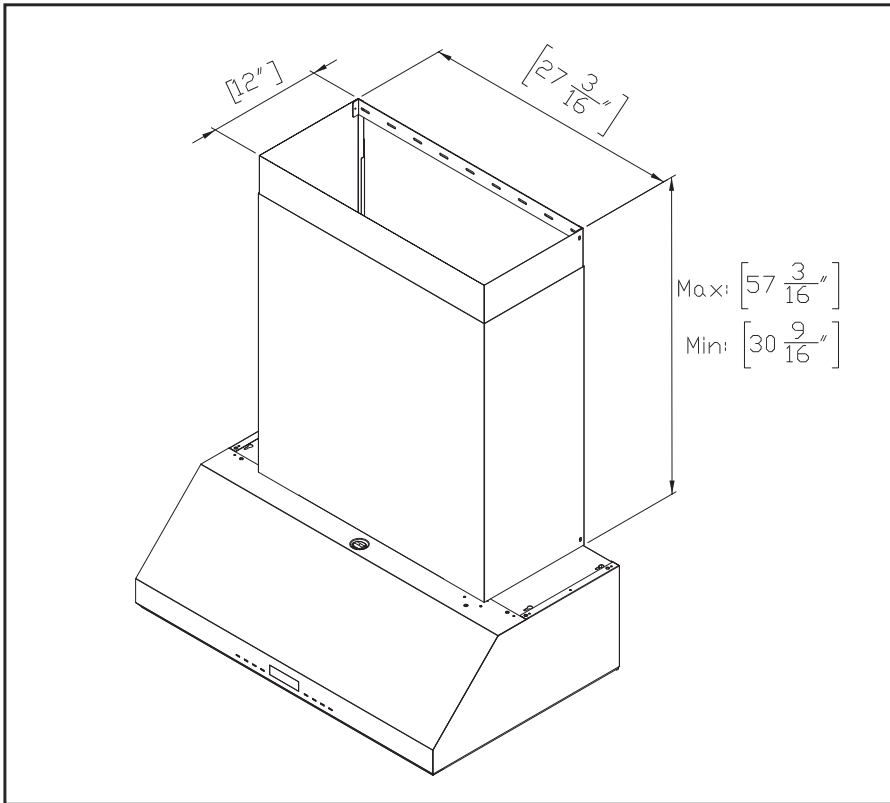
11. 將導流板及油杯裝回。

按下左側及右側彈片將導板固定於彈片固定座上。(如圖7)



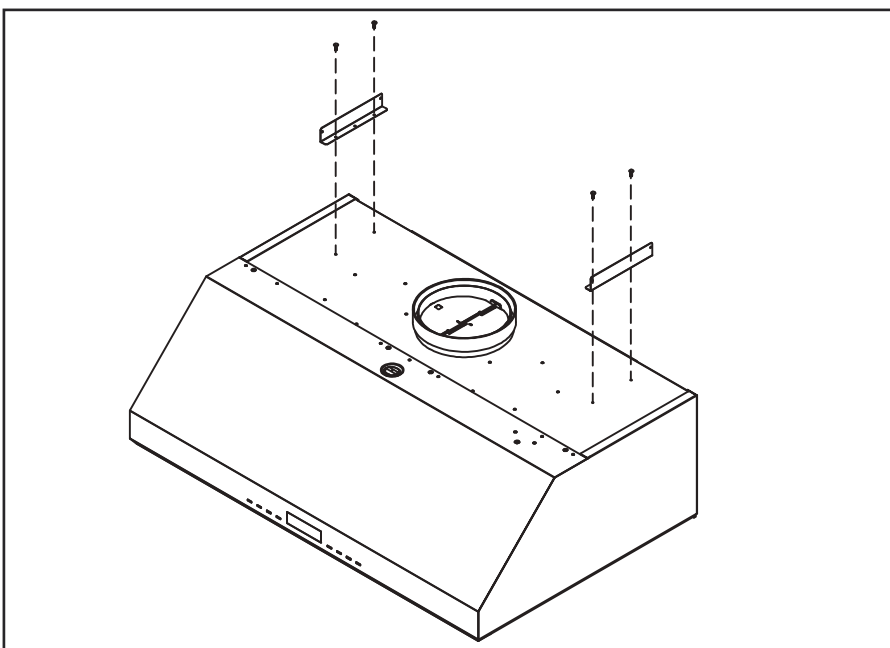
P1C-0098 伸縮式風管飾板

- ▶ 選配飾風管飾板組: 30-9/16" - 57-3/16"
- ▶ 型號: P1C-0098
- ▶ 注意: P1C-0098不包含在機器裡, 請上我們網站www.2pacific.com或撥打 888-833-8833 訂購此產品。

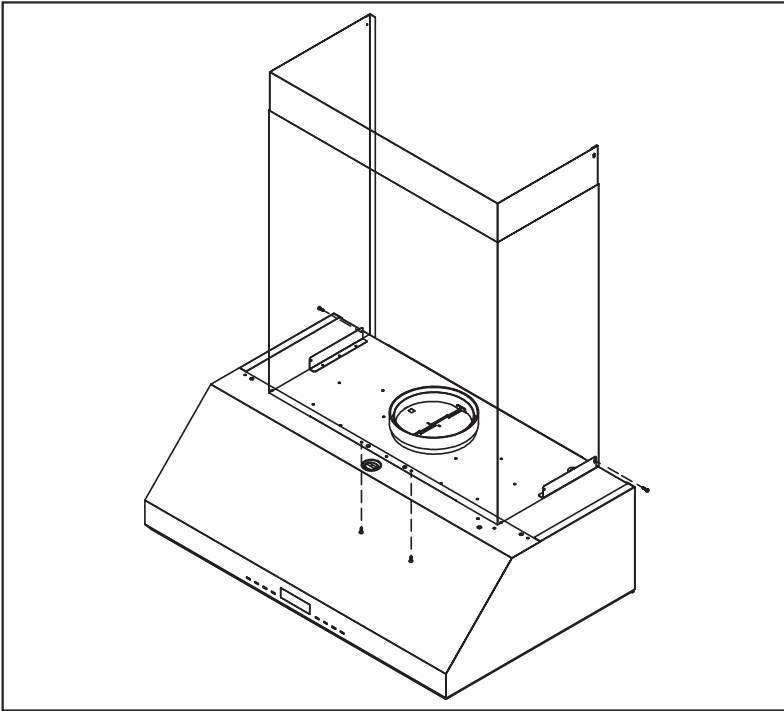


安裝步驟

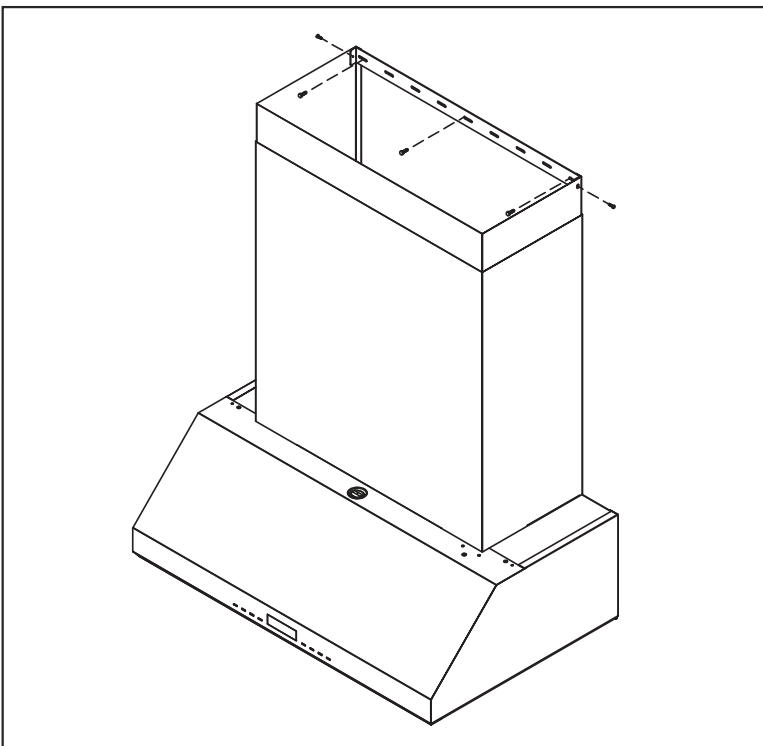
1. 將附件包內兩支固定片各使用(2)M4x8螺絲鎖固於機器頂部。



2. 將風管飾板放到機器上，並使用 (2)M4x8 螺絲由機器內部將風管飾板前方鎖固在機器頂部。
使用(2) M4x8 螺絲將風管飾板側邊鎖固於固定片上。

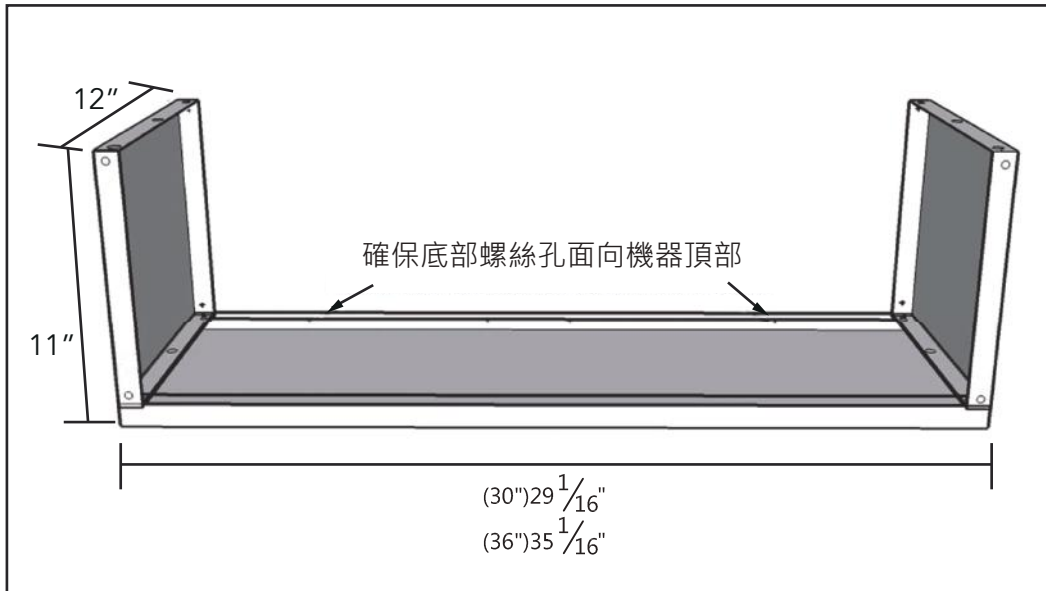


3. 將風管固定片置中，並使用(3)1-1/2"木螺釘將飾板吊掛片鎖於牆面。
將上風管飾板拉高後使用(2)M4x8螺絲將內風管飾板鎖固於風管固定片上。



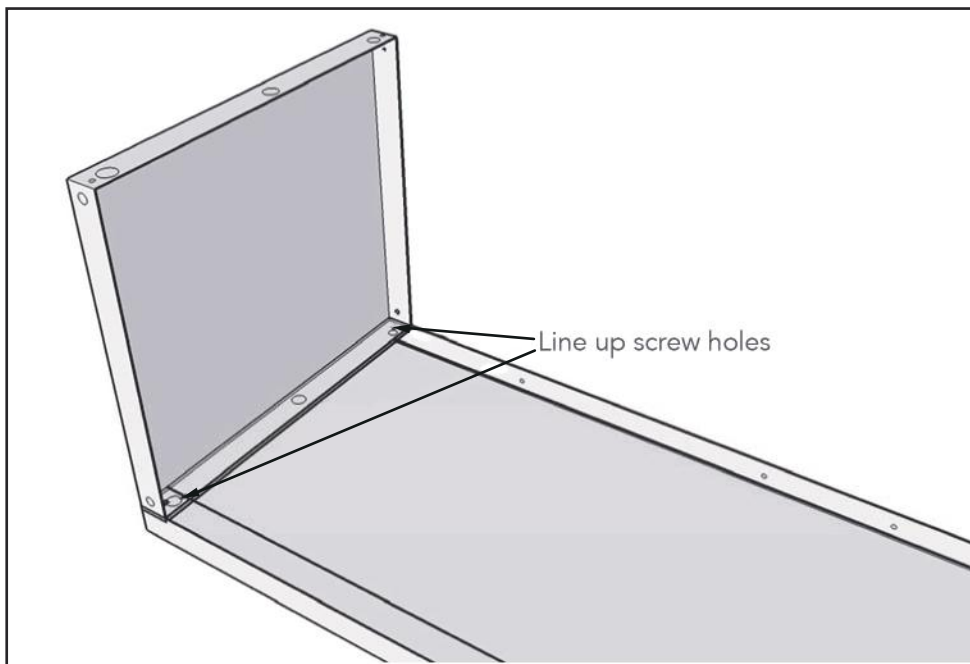
SC0930/SC0936 風管飾板

- ▶ 選配風管飾板組: 12"
- ▶ 型號 : SC0930 (30") / SC0936 (36")
- ▶ 注意: SC0930/SC0936不包含在機器裡, 請上我們網站www.2pacific.com 或撥打 888-833-8833 訂購此產品。

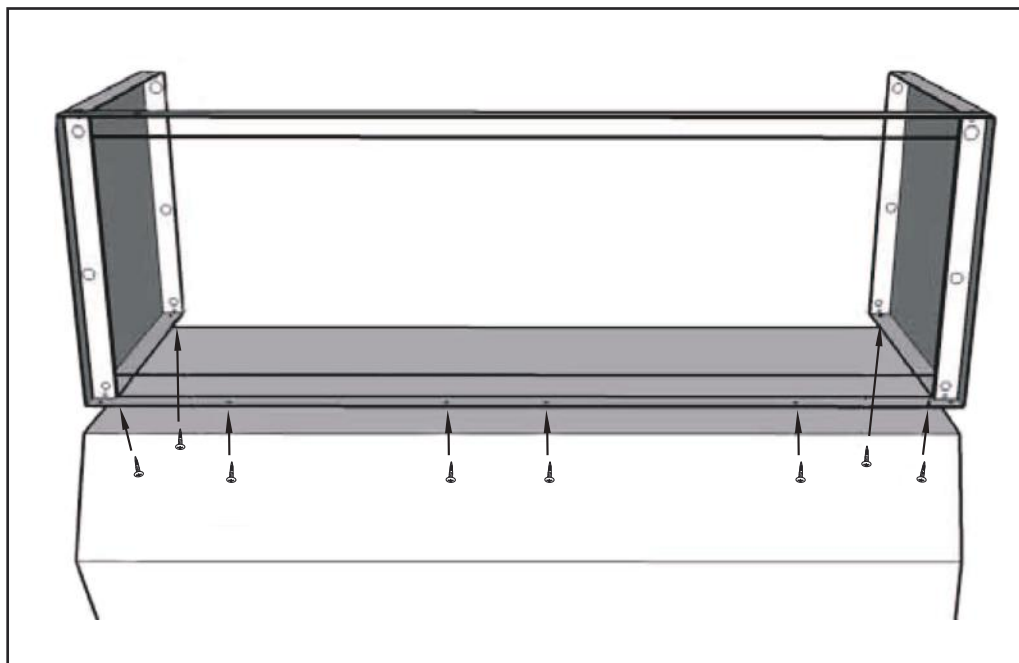


安裝步驟

1. 將螺絲孔對齊並使用螺絲將左右側飾板鎖固於前飾板。



2. 將組裝好的風管飾板放置於機器頂部，確保前飾板的螺絲孔面向下方及對齊機器上方的孔。
3. 使用剩餘的螺絲由機器內部將風管飾板鎖固於機器頂部。






接近感應功能

- ▶ 關機狀態下，接近設備時螢幕中的時鐘顯示會亮起。
- ▶ 在未使用任何功能60秒後螢幕會全暗，進入休眠模式。



1. On/Off

- ▶ 可啟動/關閉風扇、照明。
- ▶ 此按鍵有記憶功能自第二次使用會在上次關機的速度和電燈段數啟動。
- ▶ 開關鎖定鍵：
 - 關機狀態下，按住On/Off 3秒以上，螢幕中圖示亮起即鎖定開關按鍵，以利清潔觸控面板。
 - 若欲解除再按住On/Off 3秒以上，螢幕中圖示熄滅即解除鎖定功能。

2. Light

- ▶ 電燈為兩段式。按第一次全亮；按第二次微亮；再按一次可關閉電燈。

3. Steam

- ▶ 關機狀態下，按下Steam啟動蒸氣清洗功能螢幕中的圖示會亮起。
- ▶ 執行蒸氣清洗功能時，不可執行風扇速度增減。
- ▶ 缺水時，螢幕中的圖示會顯示提醒。
- ▶ 若機器連續運轉30小時未執行蒸氣洗功能，Steam指示燈會閃爍警示。
- ▶ 清洗功能異常時，會啟動自動鎖定清洗功能，Steam指示燈會閃爍警示。

4. 風速調整鍵

Fan up

- ▶ 每按一次則速度字上面有點點，即1, 2, 3, 4, 5, 6(Turbo)，螢幕會顯示對應速別。
- ▶ 關機時，按Fan up即開起1速。

Fan down

- ▶ 每按一次則速度遞減，即6(Turbo), 5, 4, 3, 2, 1，螢幕會顯示對應速別。
- ▶ 當速別在1速時，按Fan down即關機。

Turbo 模式

- ▶ 啟動Turbo時，運轉5分鐘後會自動降至5速。

ACT啟用後風速選擇

- ▶ 當ACT™啟用時，風速會相應減少如下：
 - (1) 390 CFM =最高 4 段風速
 - (2) 290 CFM =最高 3 段風速



5. Delay off

- ▶ 在機器啟動的狀態下按Delay off鍵，每按一次可選擇5分鐘或3分鐘延遲關機。
按第一次為5分鐘；按第二次為3分鐘；再按一次則關閉延遲關機功能。
選定延遲關機時間後，3秒後會自動啟動延遲關機功能。
螢幕中計時器會開始倒數計時，計時器到達後0，風扇和指示燈將關閉。
- ▶ 延遲關機啟動時會降為1速，仍可調整風速。

6. Timer


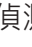



計時器功能

- ▶ 按下Timer開起計時調整功能，使用Fan up 或 Fan down調整“分”，“分”設定完成後再按Timer即可調整“時”，設定完後按下Timer即開始倒數計時。如需停止計時，再按一次Timer取消計時功能。
- ▶ 設定時間的狀態下，按住 Fan up 或 Fan down 2秒以上，每0.2秒自動快速加減數值。
- ▶ 設定中連續6秒，未按壓任何按鍵，直接離開設定模式不開始計時。
- ▶ 可調整範圍為 99:59 (時:分)，開機預設 00:00 (時:分)。
- ▶ 計時結束會“嗶”提醒時間到。

時鐘功能

- ▶ 按下Timer3秒以上開啟計時調整功能，使用Fan up 或 Fan down調整“分”，“分”設定完成後再按Timer即可調整“時”，設定完後按下此鍵即完成時間設定。
- ▶ 設定時間的狀態下，按住 Fan up 或 Fan down 2秒以上，每0.2秒自動快速加減數值。
- ▶ 設定中連續6秒，未按壓按鍵，直接離開不更新現在時間。
- ▶ 可調整範圍為 12:59 (時:分)，開機預設 00:00 (時:分)。

7. AQI

- ▶ 關機狀態下，按下此鍵即開始進行偵測，螢幕中圖示會亮起。
- ▶ 偵測完成後，螢幕中圖示變換顏色顯示偵測結果。
綠色-空氣品質良好，油煙機不會啟動。
橘色-空氣品質中等；自動開啟2速運轉。
紅色-空氣品質差；自動開啟4速運轉。(在ACT 290模式下，以3速運轉)
- ▶ 如運轉後空氣品質良好機器會自動關閉，如運轉後空氣品質未改善螢幕會顯示偵測結果。



8. 藍芽

- ▶ 關機狀態下，同時按Fan Down 和 Lights 3秒，藍芽  圖示閃爍進入配對模式。
- ▶ 藍芽配對碼為123456。
- ▶ 當設備與機器配對完成後藍芽  圖示恆亮。
- ▶ 當設備或機器斷線後，藍芽  圖示閃爍。

9. WiFi

- ▶ 當設備與機器連線後WiFi  圖示恆亮。

10. 揮手功能

關機時

- ▶ 向右揮手開啟一速，有記憶功能自第二次使用會在上次關機的速度和電燈段數啟動。

開機時

- ▶ 在任一速向右揮手即開啟Turbo。
- ▶ 在任一速向左揮手即關機。

注意:

- ▶ 揮手感應距離為2英吋。
- ▶ 感應器範圍在LCD螢幕兩側。



1. 準備開始

確保抽油煙機已接上電源且在WiFi網路範圍內。

注意: 本產品只支援2.4 GHz WiFi 網路，請連繫您的網路服務業者或無線路由器說明書確認您的網路頻道。

2. 下載app



下載太平洋廚藝生活app。



注意: 太平洋廚藝生活app適用於 iOS 11.0以上或Android 8以上。

3. 綁定

請掃描位於說明書封面或機器內部(通常位於油杯後面)的QR code以綁定您的抽油煙機。

mfd: 0122
model:
SC9836AS
serial:
1000001BUB



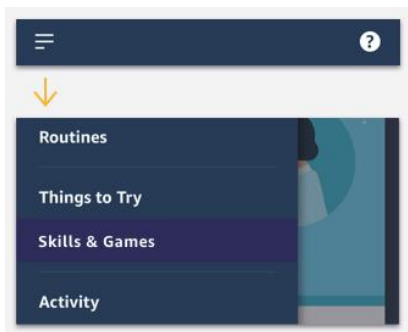
注意: 在設定過程中，同時按Fan Down 和 Lights 3秒將您的抽油煙機進入藍芽配對模式，藍芽配對碼為123456。

4. Amazon Alexa 及 Google Home 連接



Amazon Alexa

(1) 在Alexa頁面中，點擊"≡"
選取"Find Skill & Games"。



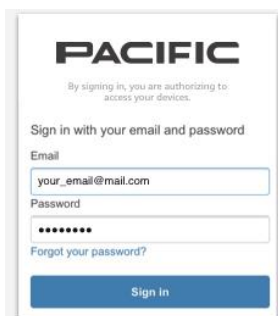
(2) 在搜索欄中找到 "Pacific
Kitchen +", 然後從列表中
點擊"Pacific Kitchen +".



(3) 點擊 "ENABLE TO USE".



(4) 使用太平洋廚藝生活app
帳號登錄。



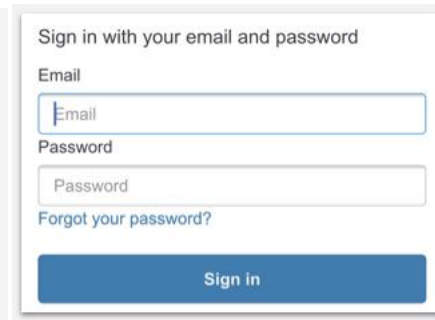
(5) 關閉視窗以繼續使用。



- (1) 在Google Home中，點擊"⊕"按鈕並加轉到"新增及管理"界面。
- (2) 點擊"設定裝置"進入"設定"頁面。
- (3) 點擊"與Google 服務連結"以加轉到"新增裝置"頁面。



- (4) 在搜索欄中找到 "Pacific Kitchen +", 然後從列表中點擊 "Pacific Kitchen +"。
- (5) 使用太平洋廚藝生活app 帳號登錄。
- (6) 關閉視窗以繼續使用。



注意：Amazon Alexa 只支援英文指令，Google Home支援英文及中文指令。

Control Type	Amazon Alexa Voice Commands	Description
Power	Alexa, Turn on [Hood Name]	Turn on range hood power
	Alexa, Turn off [Hood Name]	Turn off range hood power
Fan	Alexa, Increase [Hood Name] Fan Speed	Increase fan speed on range hood
	Alexa, Decrease [Hood Name] Fan Speed	Decrease fan speed on range hood
	Alexa, Set [Hood Name] Fan Speed to [1-6]	Set range hood to specific fan speed
	Alexa, Set [Hood Name] Fan Speed to Maximum	Set fan speed to 6 on range hood
	Alexa, Set [Hood Name] Fan Speed to Minimum	Set fan speed to 1 on range hood
Light	Alexa, Turn on [Hood Name] Light	Turn on the light on on range hood
	Alexa, Turn off [Hood Name] Light	Turn off the light on on range hood
	Alexa, Increase [Hood Name] Light(s)	Increase light level on range hood
	Alexa, Decrease [Hood Name] Light(s)	Decrease light level on range hood
	Alexa, Set [Hood Name] Light(s) to High Alexa, Set [Hood Name] Light(s) to Bright	Set light level to High on range hood
	Alexa, Set [Hood Name] Light(s) to Low Alexa, Set [Hood Name] Light(s) to Dim	Set light level to Low on range hood
	Alexa, Set [Hood Name] Light(s) to [1-2]	Set range hood to specific light level
Delay-Off	Alexa, Set delay time to 1 minute on [Hood Name] Alexa, Set delay time to 2-10 minutes on [Hood Name]	Enable delay timer for 1~10 minutes. After 1~10 minutes, the hood will be power off.
	Alexa, [Start/Enable] [Hood Name] Delay Off Timer	Enable delay off timer for 10 minutes. After 10 minutes, the hood will power off.
	Alexa, [Stop/Disable] [Hood Name] Delay Off Timer	Disable delay off timer
Steam Clean	Alexa, Turn on [Hood Name] steam clean	Turn on the steam clean on range hood
	Alexa, Turn off [Hood Name] steam clean	Turn off the steam clean on range hood
Air quality	Alexa, Turn on [Hood Name] air quality	Turn on the air quality on range hood
	Alexa, Turn off [Hood Name] air quality	Turn off the air quality on range hood
功能	Google Home 語音指令	說明
電源	Hey google, 開啟 [Hood Name] Hey google, 打開 [Hood Name]	開啟抽油煙機
	Hey google, 關閉/關掉 [Hood Name]	關閉抽油煙機
風速	Hey google, 調高/提高 [Hood Name] 風速	調升抽油煙機風速
	Hey google, 調低/降低 [Hood Name] 風速	調降抽油煙機風速
	Hey google, 設定 [Hood Name] 風速為 [1-6]	指定抽油煙機風速
	Hey google, [Hood Name] 風速調為最高 Hey google, 設定 [Hood Name] 為最高 Hey google, 設定 [Hood Name] 為最大風速	設定抽油煙機風速為最高
	Hey google, [Hood Name] 風速調為最低 Hey google, 設定 [Hood Name] 為最低 Hey google, 設定 [Hood Name] 為最小風速	設定抽油煙機風速為最低
照明	Hey google, 開啟/打開 [Hood Name] 的燈	開啟抽油煙機的燈
	Hey google, 關閉/關掉 [Hood Name] 的燈	關閉抽油煙機的燈
	Hey google, [Hood Name] 的燈調為最高 (亮度) Hey google, 設定 [Hood Name] 的燈為最高 Hey google, 設定 [Hood Name] 的燈為最大亮度	設定抽油煙機的燈為最大亮度
	Hey google, [Hood Name] 的燈調為最低 (亮度) Hey google, 設定 [Hood Name] 的燈為最低 Hey google, 設定 [Hood Name] 的燈為最小亮度	設定抽油煙機的燈為最低亮度
	Hey google, 設定 [Hood Name] 的燈為 [1-2]	指定抽油煙機燈的亮度
延遲關機	Hey google, 啟動 [Hood Name] 10分鐘	啟動延遲關機[1-10]分鐘。[1-10]分鐘後，機器會自動關閉。
	Hey google, 停止 [Hood Name] 定時器	關閉延遲關機
蒸氣洗	Hey google, 開啟/打開 [Hood Name] 清淨功能	開啟抽油煙機蒸氣洗功能
	Hey google, 關閉/關掉 [Hood Name] 清淨功能	關閉抽油煙機蒸氣洗功能
空氣品質	Hey google, 開啟/打開 [Hood Name] 空氣品質功能	開啟抽油煙機空氣品質偵測
	Hey google, 關閉/關掉 [Hood Name] 空氣品質功能	關閉抽油煙機空氣品質偵測

有些當地政府法規限制了抽油煙機的最大排風量(CFM)。

ACT™可調整 Pacific 抽油煙機的最大鼓風機 CFM，而無需安裝昂貴的風量調節器。

ACT™ 使安裝人員能夠輕鬆地將最大風量設定為390 或 290 CFM，請確認您當地的規範再設定ACT™。

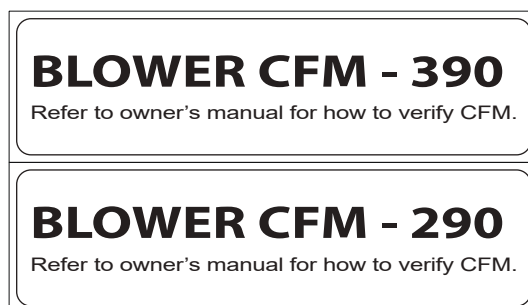
啟動 ACT™

- 1.關機時，同時按住 On/Off 和 Lights 3秒檢視目前設定值，在顯示目前設定值模式下，按一下Fan up進入設定模式，風速指示燈會亮起且閃爍。
- 2.設定為 390 CFM: 按 Fan up 直到 **1 2 3 4** 亮起
設定為 290 CFM: 按 Fan up 直到 **1 2 3** 亮起
- 3.按下On/Off以儲存設定值。

注意: 在ACT設定模式下6秒內未按任何按鍵，機器會自動離開設定模式，不會儲存任何設定。

檢視ACT™目前設定值

- 1.在關機狀態下，同時按住On/Off和Lights 3秒，螢幕風速指示顯示目前設定狀態3秒。
 - (1) 原廠設定: **1 2 3 4 5** 等亮起
 - (2) 390 CFM: **1 2 3 4** 亮起
 - (3) 290 CFM: **1 2 3** 亮起
- 2.完成後將CFM貼紙貼在機器內部規格標籤旁。(圖1)



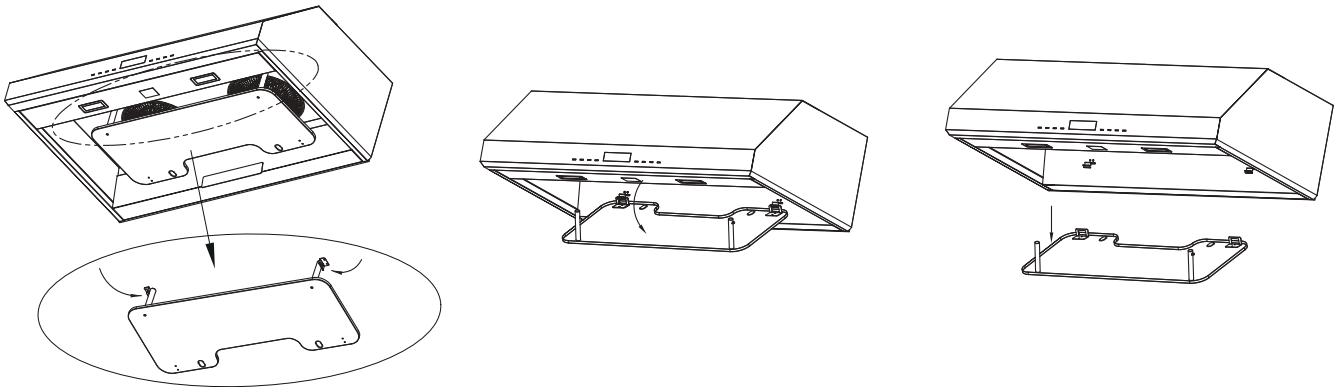
(圖1)

機身表面保養

- 1.請定期以熱肥皂水和棉布擦拭機身以防油垢堆積。
- 2.請勿使用腐蝕性洗碗精和材質過粗的布料擦拭，以免傷害到機身表面。
- 3.擦拭完成後建議使用無刺激性的不鏽鋼拋光劑來進行第二次擦拭。
- 4.請使用軟布輕擦，您的油煙機表面將會更加光亮。
- 5.請勿使用含有漂白成分的清潔液。

保養和清潔

- 1.清潔前，務必要切斷電源。
- 2.定期清潔抽油煙機的內外側，可以保持抽油煙機壽命，切勿使用研磨性清潔劑。
- 3.儘管導流板永遠不需要更換，但根據烹飪習慣，請每30天或更頻繁地清潔一次。
導流板可放入洗碗機中低溫加熱或浸泡在熱肥皂水中。
擦乾導流板並在使用抽油煙機前將導流板重新安裝。
按下左側及右側彈片然後向下拉以取下導流板。
- 4.定期將油杯由機器下方取下並做清潔。
- 5.在開啟煮食爐前，請先開啟抽油煙機以免廚房溫度太高。

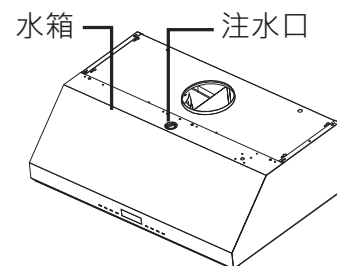


功能說明

- 1.本機利用蒸餾水注入機器內水箱備用，以馬達高速運轉時之離心力及衝擊力，達到清洗內部的功能，可永保抽油煙機內部清潔延長抽油煙機使用壽命。
- 2.蒸氣清洗功能有安全自動鎖定設計，如有異常狀況即鎖定清洗功能。如被鎖定及其他異常狀況，請立即連絡經銷商，務必請專業維修人員協助詳細檢測及維修。

操作說明

- 1.使用專用水壺，加入蒸餾水或去鈣離子水之指定分量。
- 2.將水壺從機器之注入口倒入蒸餾水或去鈣離子水，抽油煙機內有隱藏式水箱，第一次使用此油機，請加入兩壺的水量。
- 3.按蒸氣清洗鍵即啟動馬達，機器自動噴出蒸氣，清洗機器內部。
- 4.油杯外觀有透視窗，水位已達透視窗可見位置時，即應取下倒去油污以防外溢。



注意事項及警告標示

- 1.清潔時請使用蒸餾水或去鈣離子水。
- 2.請按照隨機附有的水壺指示添加蒸餾水或去鈣離子水。
- 3.建議消費者一星期清洗2次即可，亦可按需要減少清洗次數。
- 4.注入蒸餾水時，請用隨機附上的水壺小心倒進水箱，勿使蒸餾水溢出機外。
- 5.清洗時注意，勿使油污超過透視窗高度，以防油污溢出。
- 6.請謹防異物流入水箱中，以防噴水孔堵住。
- 7.建議每次清洗後，請取下油杯倒去油污，以防外溢。
- 8.首次啟動蒸汽洗功能時，因部分零件防鏽油受熱蒸發，或有些許白煙及煙硝味，為首次啟動正常現象。

異常狀況	原因	處理方式
安裝後機器沒有運作	電源未打開	確認斷路器及機器電源開啟
	電源線未正確連接	檢查與機器的電源連接是否正確連接
	開關組或主控PC板電線未正確連接	檢查開關組或主控PC板的電線是否正確連接
	開關組或主控PC板損壞	更換開關組或主控PC板
	主控PC板連接線脫落	檢查連接到主控PC板的所有連接線是否都正確連接
燈正常運作但馬達不轉	馬達連接線未正確連接	檢查連接到馬達的所有連接線是否都正確連接
	馬達熱保護裝置偵測過熱跳脫停止運作	馬達熱保護裝置溫度下降後機器將恢復正常運作
	開關組或主控PC板損壞	更換開關組或主控PC板
	馬達損壞	更換馬達
機器振動	馬達未正確安裝	將馬達鎖緊
	風葉損壞	更換風葉
	機器未正確安裝	檢查機器是否正確安裝
機器有口哨聲	濾網或導流板未正確安裝	調整濾網或導流板直到口哨聲消失
	風管未密封或正確安裝	檢查風管是否正確密封
馬達正常運作但LED燈不動作	LED燈連接線脫落	檢查LED燈連接線是否正確連接
	LED燈損壞	更換LED燈
	開關組或主控PC板損壞	更換開關組或主控PC板
機器沒有正確排風	出風口尺寸不正確	改為正確出風口尺寸
	機器的安裝高度過高	調整機器底部至爐面的距離，建議安裝距離為26" - 32"。
	窗戶或門開啟導致風進入影響機器排風	關上門窗防止風影響機器排風
	出風口或排風管阻塞	移除出風口或排風管的阻塞物
機器自動開啟	有人使用太平洋廚藝生活App操作機器	確定是誰使用App操作機器
風葉有反轉現象	馬達損壞	更換馬達
	出風口或排風管阻塞	移除出風口或排風管的阻塞物
蒸氣清洗失效	檢查面板是否有警示缺水狀況	依說明書注意事項指示添加去鈣產品或蒸餾水
	開關PC板失效	檢查PC板或更換PC板
	噴水孔堵塞	檢查噴水孔
	噴水馬達失效	更換噴水馬達
	檢查面板是否有指示燈閃爍，警示該鎖定功能已啟動	按住STEAM鍵5秒後重置設定，請再試一次蒸氣清洗功能。如仍有異常，請連絡經銷商進行維修。

異常狀況	原因	處理方式
機器無法透過 Bluetooth® 與使用者設備配對	使用者手機的Bluetooth®未開啟	開啟使用者手機的Bluetooth®
	使用者手機可能不在接收範圍	離油煙機近一點
	使用者沒有輸入Bluetooth® 配對碼	輸入配對碼, 123456
	油煙機沒有進入Bluetooth® 配對模式	同時按Fan Down 和 Lights 3秒進入配對模式
	使用者手機應有多重錯誤導致無法與油煙機配對	將使用者手機重新開機再重新連接
油煙機無法連接Wi-Fi	使用者的路由器或數據機關閉	開啟路由器或數據機
	使用者路由器連接到5 GHz頻道	連接至2.4GHz 頻道並重新連接
	使用者同軸電纜未正確連接	將同軸電腦正確連接至路由器或數據機
	使用者手機Wi-Fi未開啟	開啟使用者手機Wi-Fi
	使用者連接到不正確的Wi-Fi網路	確認是否連接到正確的 Wi-Fi 網絡。 可以在路由器上找到默認的 Wi-Fi 網絡名稱/SSID
	機器不在Wi-Fi的連線範圍	將路由器或數據機放置於油煙機附近以增加收訊強度
	有障礙物影響Wi-Fi收訊強度	將路由器或數據機放置於油煙機附近或將障礙物移除，牆壁會降低收訊強度
使用者不能更改Wi-Fi網路	油煙機已與使用者手機連線	進入手機Bluetooth®設定介面並忘記 Bluetooth®裝置設定
機器無法與太平洋廚藝生活App帳號綁定	只有一個太平洋廚藝生活帳號可以與機器綁定	登入已與太平洋廚藝生活綁定的帳號，不同的手機可使用相同帳號登入
太平洋廚藝生活App操作後無動作	Wi-Fi 連線不穩定且機器可能已斷線	確保路由器或數據機皆已開啟並同意機器連接
	機器無法連接到手機	確認Wi-Fi連線並重新啟動機器
太平洋廚藝生活App停留在“加載中”的裝態	Wi-Fi 連線不穩定且機器可能已斷線	確保路由器或數據機皆已開啟並同意機器連接
	機器無法連接到手機	確認Wi-Fi連線並重新啟動機器

錯誤代碼		
異常狀況	錯誤代碼	處理方式
開關組無法收到主控板訊號	01 00	請重置您的抽油煙機，關閉電源5分鐘後重試
開關組無法收到蒸氣板訊號	02 00	
主控板無法收到按鍵板訊號	04 00	
蒸氣板無法收到按鍵板訊號	08 00	
主控板IPM溫度過高	00 01	請聯繫太平洋客服中心並提供產品的故障代碼
主控板產生IPM-FO訊號	00 02	
主控板運轉電流過小	00 04	
主控板運轉電流過大	00 08	
蒸氣板加熱模組異常	00 10	
蒸氣板溫度感測器異常	00 20	
缺水	00 40	水位不足，請添加蒸餾水後重試
AQI模組異常	00 80	請聯繫太平洋客服中心並提供產品的故障代碼

恭喜您買下了屬於自己的太平洋抽油煙機!
在開始使用前，需要您花一點時間
在以下網址註冊您的油煙機。

[https://www.2pacific.com/en-us/
productregistration](https://www.2pacific.com/en-us/productregistration)



註冊很重要

即時註冊的幫助不止一種。

- 當您需要服務時，確保產品保固範圍。
- 保障產品所有權驗證。
- 產品變更或召回通知。

PACIFIC KITCHEN LIFE | 390 Kansas St. | San Francisco, CA 94103 | 888-833-8833

如需要訂購零件，請上 www.2pacific.com 跟我們聯繫或者以電話
888-833-8833聯絡我們。

