

PACIFIC

PACIFIC RANGE HOOD

OPERATING INSTRUCTION

Model Number:

PQ6830AB, PQ6830AW

PQ6836AB, PQ6836AW



Read all instructions before operating the range hood.



■ Safety Information	P1-P3
■ Product Functions / Performance Specification Chart	P4
■ Part Supplied	P5
■ Circuit Diagram	P6
■ Product Dimension	P7
■ List of Materials	P8
■ Installation Guidelines	P9
■ Installation Procedures – Under Cabinet	P10-P11
■ Installation Procedures – Wall Mount	P12-P13
■ Installation Instructions – Optional Duct Cover	P13-P15
■ Operating Instructions	P16-P18
■ Surface Maintenance	P19
■ Troubleshooting	P20

READ AND SAVE THESE INSTRUCTIONS

Your safety and the safety of others are very important. We have provided many important safety messages in this manual for your appliance. Always read and obey all safety messages.



This is the Safety Alert Symbol. This symbol alerts you to potential hazards that can cause severe bodily injury or death. All safety messages will follow the Safety Alert Symbol and either the words "DANGER" "WARNING" or "CAUTION"

 **DANGER** 

Danger means that failure to heed this safety statement may result in severe injury or death.

 **WARNING** 

Warning means that failure to heed this safety statement may result in extensive product damage, serious personal injury, or death.

 **CAUTION** 

Caution means that failure to heed this safety statement may result in minor or moderate personal injury, property or equipment damage.

General Safety

 **WARNING** 

To reduce the risk of fire or electric shock, do not use this fan with any solid-state control device.

 **WARNING** 

WARNING - TO REDUCE THE RISK OF FIRE, ELECTRIC SHOCK, OR INJURY TO PERSONS, OBSERVE THE FOLLOWING:

- a) Use this unit only in the manner intended by the manufacturer. If you have questions, contact the manufacturer.
- b) Before servicing or cleaning unit, switch power off at service panel and lock the service disconnecting means to prevent power from being switched on accidentally. When the service disconnecting means cannot be locked, securely fasten a prominent warning device, such as a tag, to the service panel.

 **CAUTION** 

For General Ventilating Use Only. Do Not Use To Exhaust Hazardous Or Explosive Materials And Vapors. Take care when using cleaning agents or detergents. Suitable for use in household cooking area.

 **WARNING** 

WARNING - TO REDUCE THE RISK OF A RANGE TOP GREASE FIRE:

- a) Never leave surface units unattended at high settings. Boilovers cause smoking and greasy spillovers that may ignite. Heat oils slowly on low or medium settings.
- b) Always turn hood ON when cooking at high heat or when flambeing food. (i.e. Crepes Suzette, Cherries Jubilee, Peppercorn Beef Flambe').
- c) Clean ventilating fans frequently. Grease should not be allowed to accumulate on fan or filter.
- d) Use proper pan size. Always use cookware appropriate for the size of the surface element.

READ AND SAVE THESE INSTRUCTIONS



WARNING - TO REDUCE THE RISK OF INJURY TO PERSONS IN THE EVENT OF A RANGE TOP GREASE FIRE, OBSERVE THE FOLLOWING^a:

- a) SMOTHER FLAMES with a close-fitting lid, cookie sheet, or metal tray, then turn off the burner. BE CAREFUL TOPREVENT BURNS. If the flames do not go out immediately, EVACUATE AND CALL THE FIRE DEPARTMENT.
- b) NEVER PICK UP A FLAMING PAN – You may be burned.
- c) DO NOT USE WATER, including wet dishcloths or towels – a violent steam explosion will result.
- d) Use an extinguisher ONLY if:
 - 1) You know you have a Class ABC extinguisher, and you already know how to operate it.
 - 2) The fire is small and contained in the area where it started.
 - 3) The fire department is being called.
 - 4) You can fight the fire with your back to an exit

^aBased on "kitchen Firesafety Tips" published by NFPA.



WARNING - TO REDUCE THE RISK OF FIRE, ELECTRIC SHOCK, OR INJURY TO PERSONS, OBSERVE THE FOLLOWING:

- a) Installation work and electrical wiring must be done by qualified person(s) in accordance with all applicable codes and standards, including fire-rated construction.
- b) Sufficient air is needed for proper combustion and exhausting of gases through the flue (chimney) of fuel burning equipment to prevent back drafting. Follow the heating equipment manufacturer's guideline and safety standards such as those published by the National Fire Protection Association (NFPA), and the American Society for Heating, Refrigeration and Air Conditioning Engineers (ASHRAE), and the local code authorities.
- c) When cutting or drilling into wall or ceiling, do not damage electrical wiring and other hidden utilities.
- d) Ducted fans must always be vented to the outdoors.
- e) If this unit is to be installed over a tub or shower, it must be marked as appropriate for the application and be connected to a GFCI (Ground Fault Circuit Interrupter) - protected branch circuit.



READ AND SAVE THESE INSTRUCTIONS

Operation

- ▶ Always leave safety grilles and filters in place. Without these components, operating blowers could catch onto hair, fingers and loose clothing.
- ▶ The manufacturer declines all responsibility in the event of failure to observe the instructions given here for installation, maintenance and suitable use of the product. The manufacturer further declines all responsibility for injury due to negligence and the warranty of the unit automatically expires due to improper maintenance.

NOTE: Please check pacifichoods.com for revisions before doing any custom work.

Electrical Requirements

Important:

- ▶ Observe all governing codes and ordinances.
- ▶ It is the customer's responsibility to be aware of these below:
- ▶ To contact a qualified electrical installer.
- ▶ To assure that the electrical installation is adequate and in conformance with National Electrical Code, ANSI/NFPA 70 latest edition* or CSA standards C22.1-94, Canadian Electrical Code, Part 1 and C22.2 No.0-M91 - latest edition** and all local codes and ordinances.
- ▶ If codes permit and a separate ground wire is used, it is recommended that a qualified electrician determine that the ground path is adequate.
- ▶ Do not ground to a gas pipe.
- ▶ Check with a qualified electrician if you are not sure the range hood is properly grounded.
- ▶ Do not have a fuse in the neutral or ground circuit.
- ▶ This appliance requires a 120V 60Hz electrical supply and connected to an individual properly grounded branch circuit protected by a 15 or 20 ampere circuit breaker or time delay fuse. Wiring must be 2 wire with ground. Please also refer to Electrical Diagram on product.
- ▶ A cable locking connector (not supplied) might also be required by local codes. Check with local requirements, purchase and install appropriate connector if necessary.

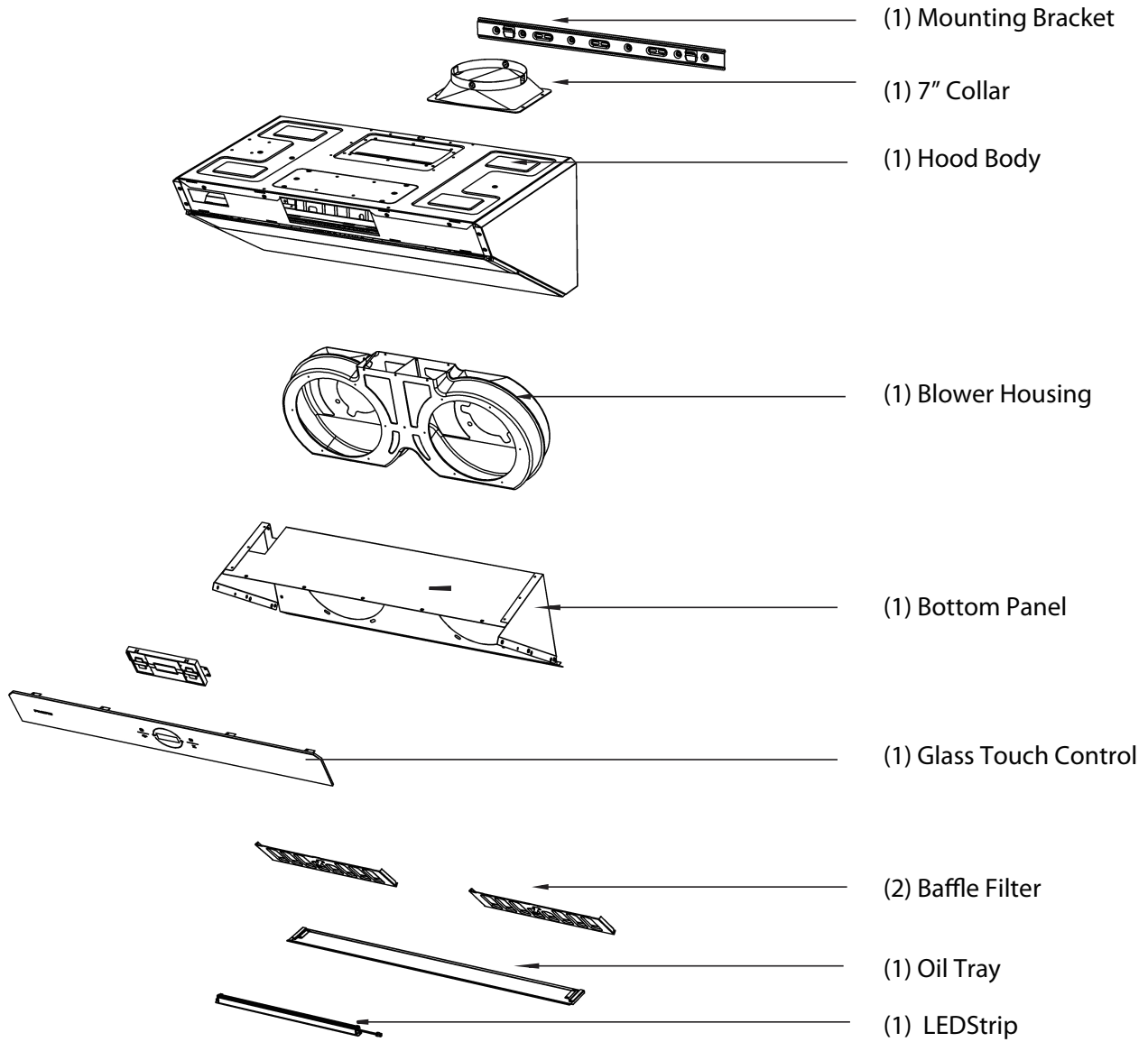
* National Fire Protection Association Batterymarch Park, Quincy, Massachusetts 02269

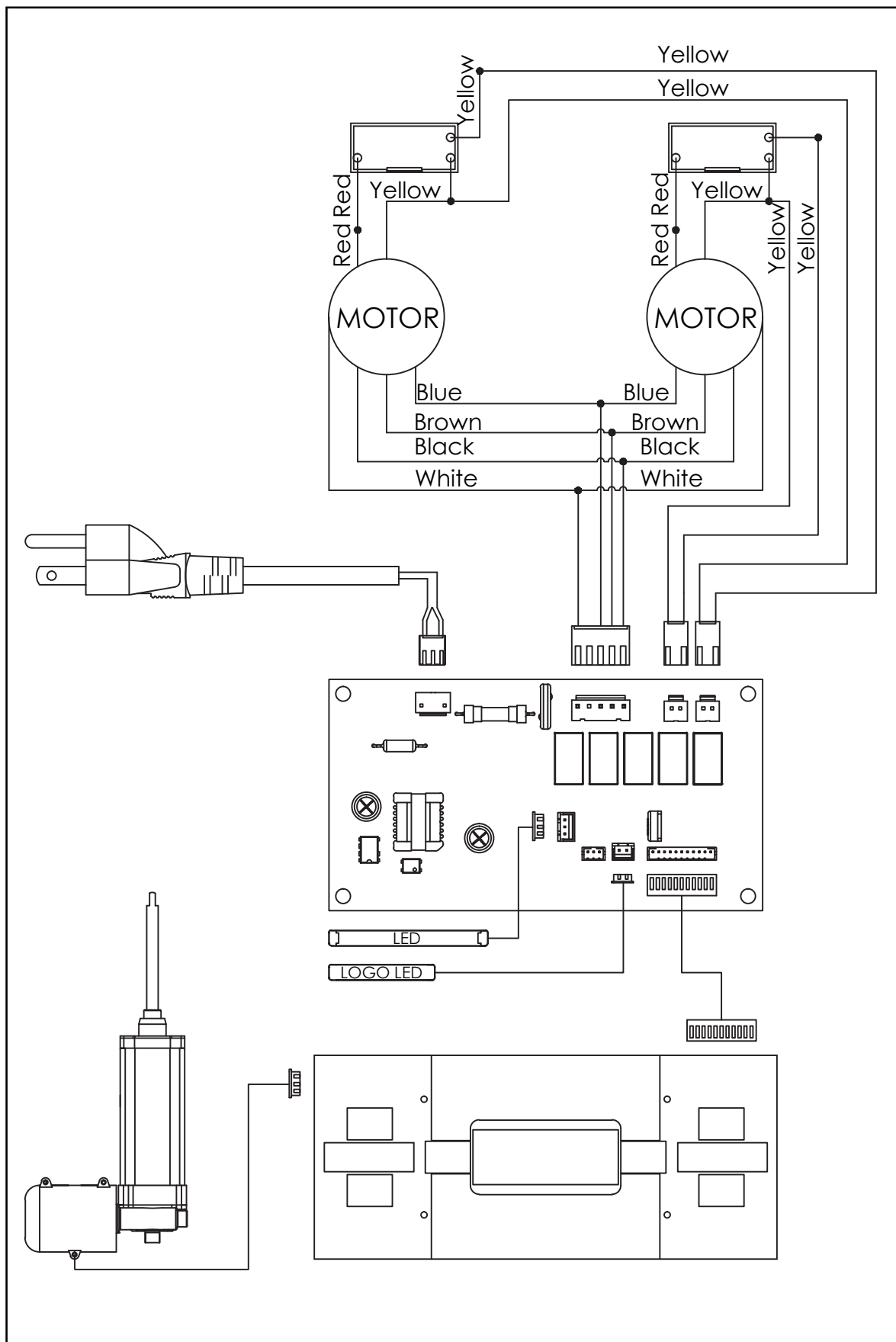
** CSA International 8501 East Pleasant Valley Road, Cleveland, Ohio 44131-5575

1. Memory function to remember the last used fan and light settings
2. 3-min and 5-min automatic delay off
3. Built-in timer
4. Built-in clock
5. Airflow Control Technology (ACT™)

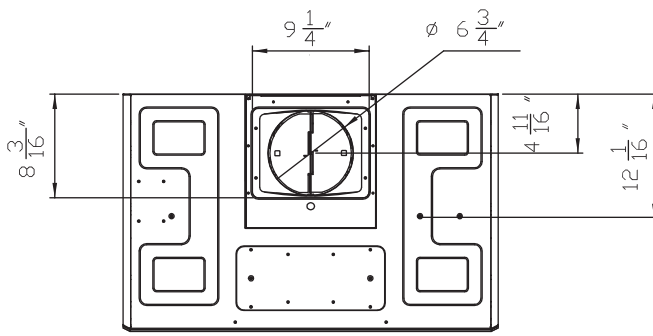
Performance Specification Chart

Model	PQ6830AB/AW	PQ6836AB/AW
Weights(Kg/lbs)	24.9/54.78	27.2/59.84
Size	30"	36"
Color	Black Glass + Stainless Steel White Glass + Stainless Steel	
Dimension(inch)	29-3/4" x 18-7/8" x 12-1/8"	35-7/16" x 18-7/8" x 12-1/8"
Led Lighting	9W LED x 1	
Duct Size	7"Round(Verntical)	
Installation Type	Under Cabinet/Wall-Mounted	
Maximum Voltage	120V-60Hz	
Maximum consumption power	4A / 340W	
Maximum CFM	1200 CFM	
ACT™	290/390 CFM	

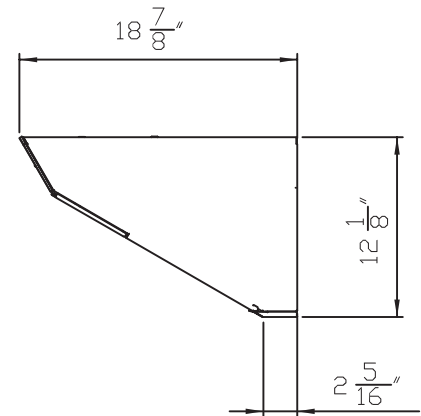




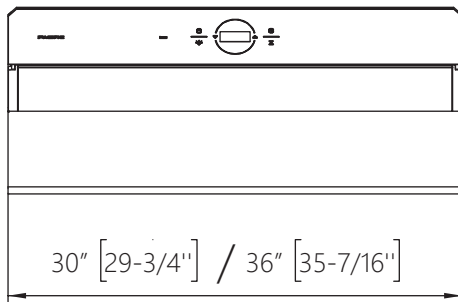
Dimensional Drawing



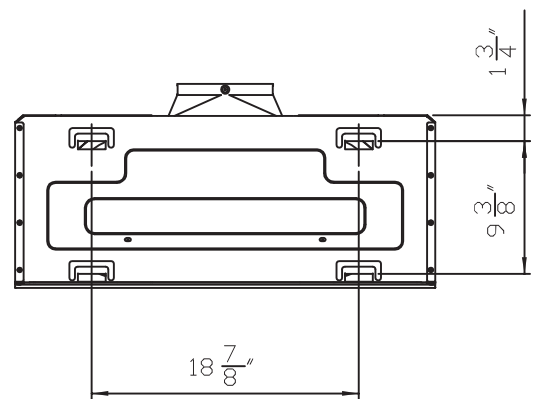
Top



Side

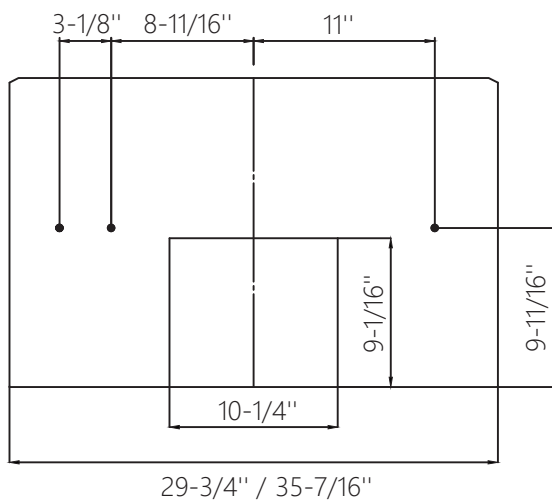


Front

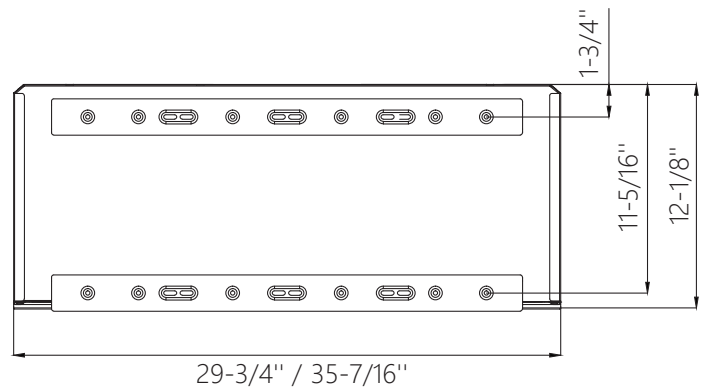


Back

Mounting Template

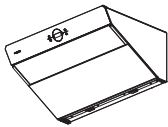


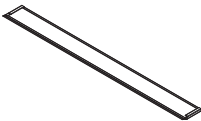

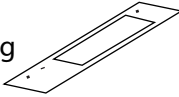
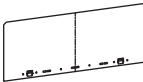








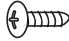
Cabinet

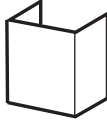
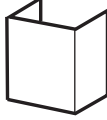
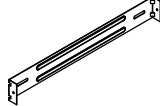
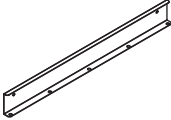

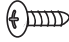



Wall

Part Supplied

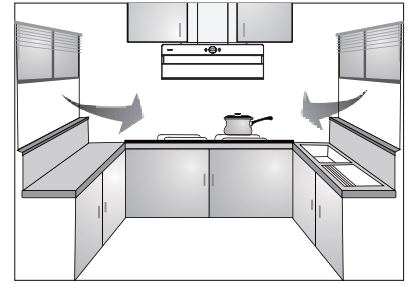
STANDARD CONFIGURATION		
Hood		1
7 inch Collar		1
Foam Strip		1
Oil Tray		1
User Manual		1
Cabinet Mounting Template		1
Bracket Mounting Template		1
Bracket		1
Support Bracket		2
Hardware Packet		1

HARDWARE PACKET CONTENT			
5x24x1T Washer			4
3/16x2" Flat Head Screw			3
1-1/2" Wood Screw			8
M4x8 Round Head Screw			6

ACCESSORIES(OPTIONAL) DUCT COVER P1C-0068			
Duct Cover; Upper			1
Duct Cover; Lower			1
Bracket, Wall			1
Bracket, Bottom			2
1-1/2" Wood Screw			2
M4x8 Round Head Screw			4
M4x8 Black Screw			6

1. Location

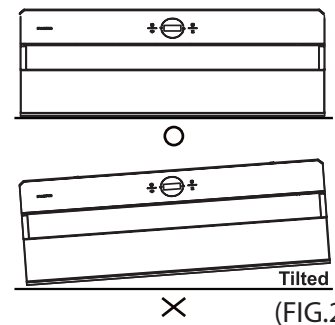
- Air turbulence from window/door may reduce the effectiveness of hood. Suggest to close window/door before using hood .(FIG. 1)



(FIG.1)

2. Mounting Height and Position

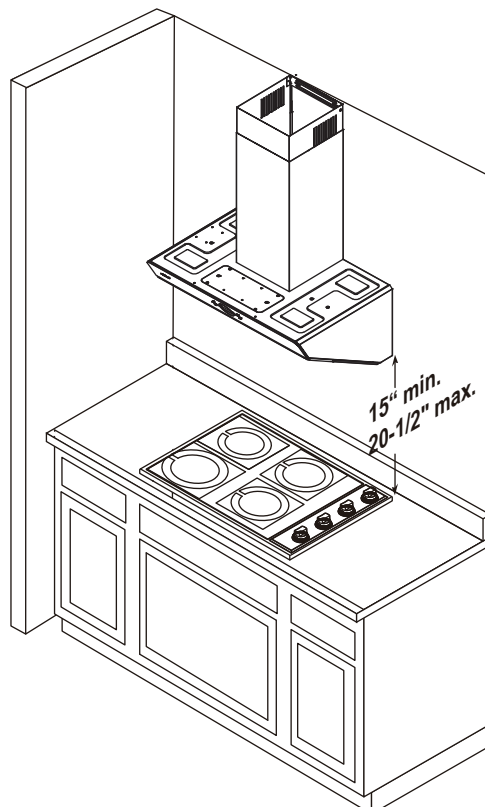
- The installation height is measured vertically from center of hood to the top of the cook top.
- Avoid left-right or front-dropped inclination.(FIG. 2)
- The minimum mount height is 15 inches from the bottom of the range hood to the surface of the stove top, and the maximum is 20-1/2 inches.(FIG. 3)



(FIG.2)

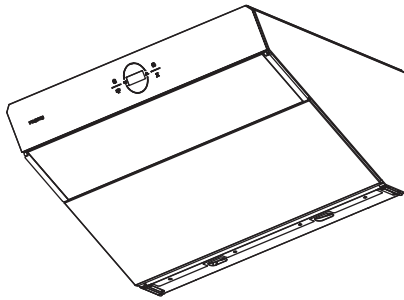
3. Exhaust duct

- 7 inches diameter exhaust duct is recommended to use in order to maximize suction efficiency.
- 6 inches diameter exhaust duct is available, but it might impact the suction efficiency.
- Install the range hood and exhaust duct to the plastic collar and seal with metal tape.

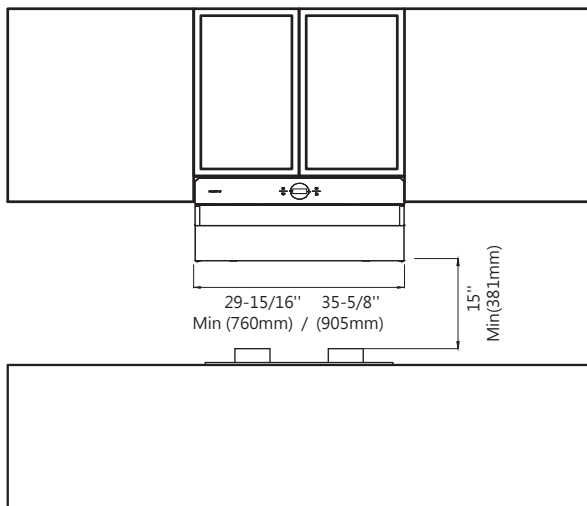


(FIG.3)

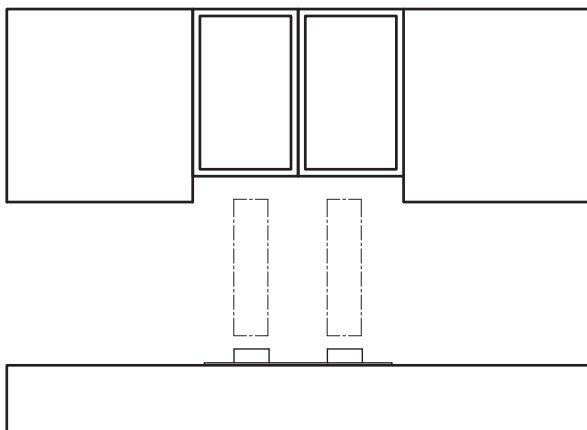
1. Take out the appliance from the box and check the List of Material .



2. The ideal installation height is a distance of 15" to 20-1/2" (381mm to 520mm) from the bottom of the range hood to the surface of the stove top. 30in product need installation width at least 29-15/16" (760mm) 36in product need installation width at least 35-5/8" (905mm)

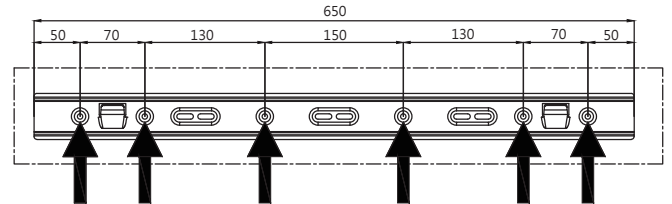


3. Locate the wooden beam and mark the location.

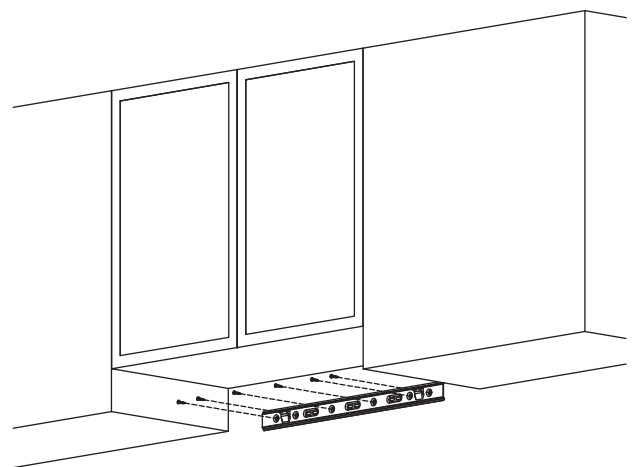


4. Measure the Installation Bracket Location.

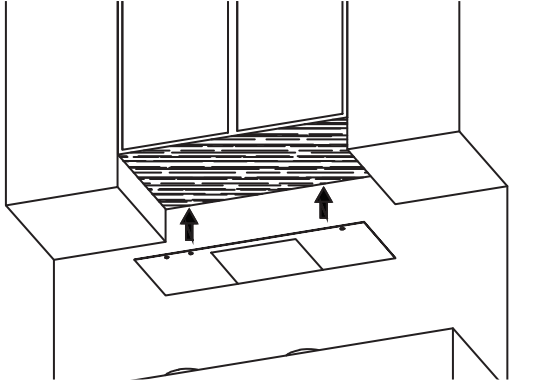
Take out the Installation Bracket and the Installation Bracket Mounting template from the accessory pack, stick the template on the wall, and then drill the holes as indicated on the template.



5. Tear off the installation bracket mounting template from the wall, place the main bracket on the wall, adjust the level and use (6)1-1/2" wood screws to screw the installation bracket on the wall.



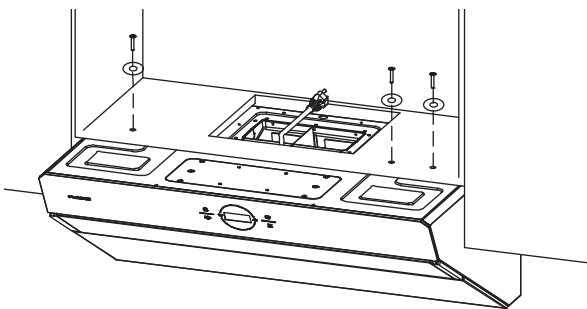
6. Place the cabinet installation template facing down and stick the template on the bottom of the upper cabinet, then open and drill holes according to the template, after done those holes, tear off the template from the cabinet.



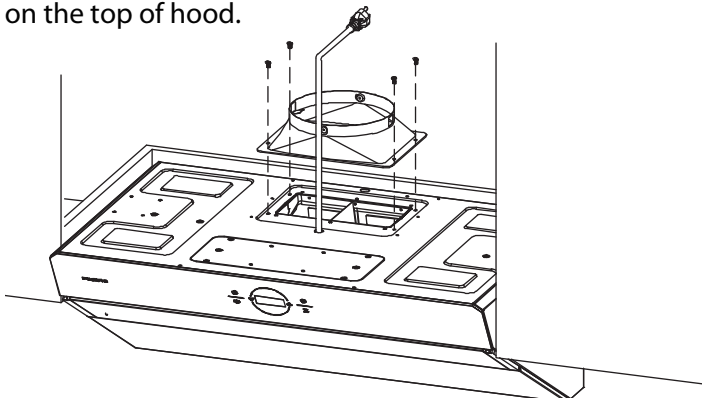
7. Remove the protective film from the range hood surface.
 8. Use the two holes under backside to hang the appliance on the installation bracket.



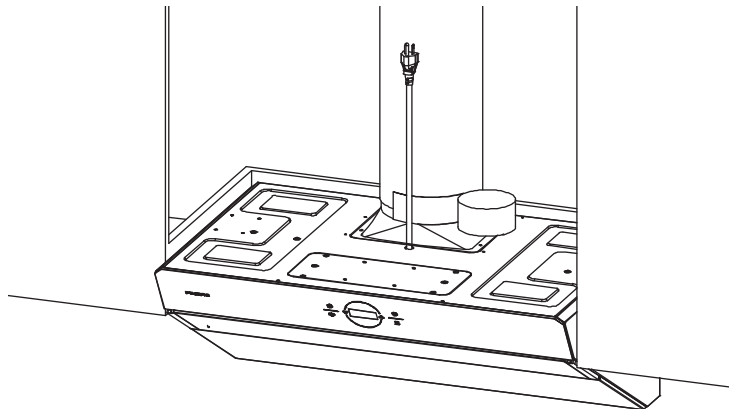
9. Use one hand lightly push the appliance and fix it on the cabinet with (3) 3/16x2 Flat head screws and (3) 5x24x1T Washer. (Two for right and one for left)



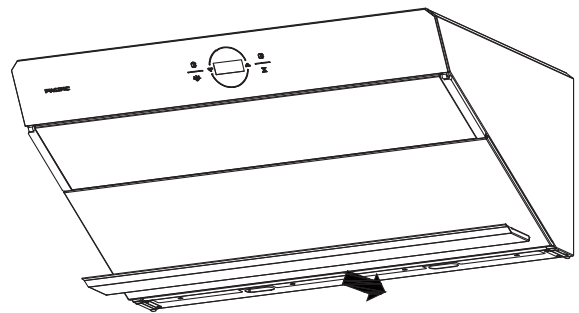
10. Use (4) M4x8 round head screws to screws the collar on the top of hood.



11. Install duct work and seal with aluminum duct tape.



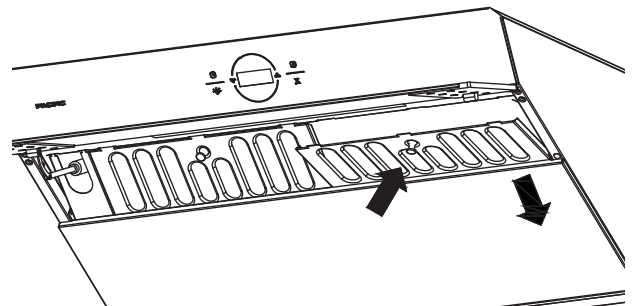
12. Remove the protective film from oil tray and install it on the lower side of appliance.



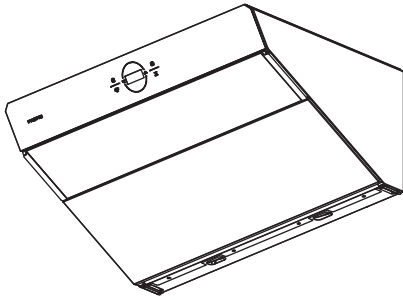
14. Plug the appliance for a test run.

15. Turn on the light and you can open the deflector panel.

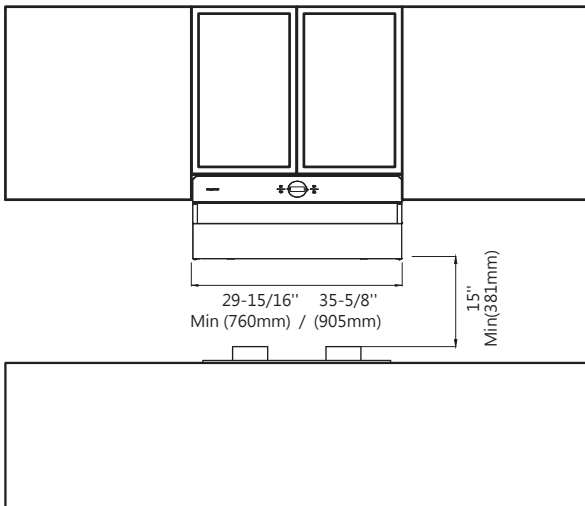
When the panel is open, please take down the baffle filters, and re-install the filters after remove the protective film from those filters.



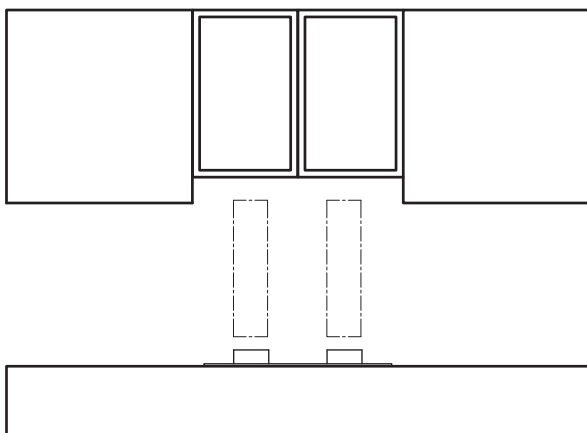
1. Take out the appliance from the box and check the List of Material .



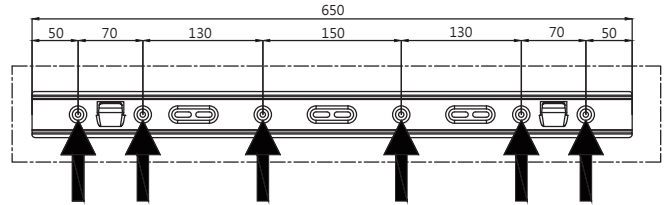
2. The ideal installation height is a distance of 15" to 20-1/2" (381mm to 520mm) from the bottom of the range hood to the surface of the stove top.
 - 30in product need installation width at least 29-15/16" (760mm)
 - 36in product need installation width at least 35-5/8" (905mm)



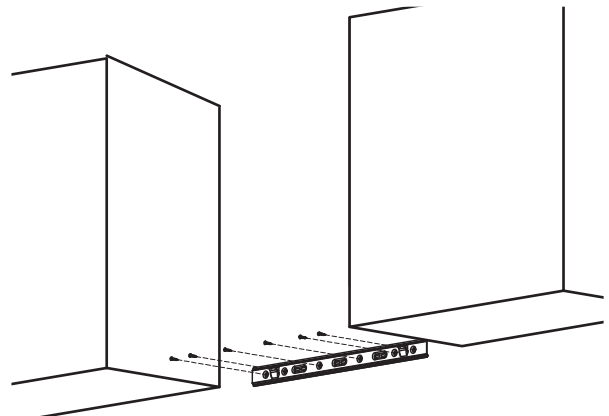
3. Locate the wooden beam and mark the location.



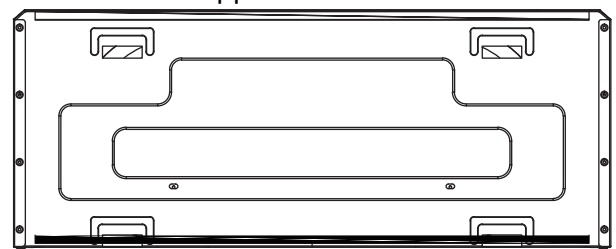
4. Measure the Installation Bracket Location. Take out the Installation Bracket and the Installation Bracket Mounting template from the accessory pack, stick the template on the wall, and then drill the holes as indicated on the template.



5. Tear off the installation bracket mounting template from the wall, place the main bracket on the wall, adjust the level and use (6) 1-1/2" wood screws to screw the installation bracket on the wall.



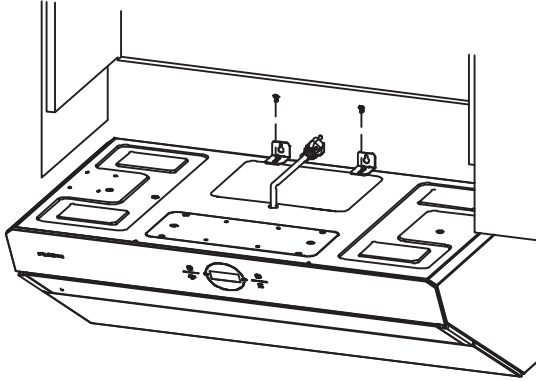
6. Take out the foam strip from the accessory bag, and stick it on the appliance under back side.



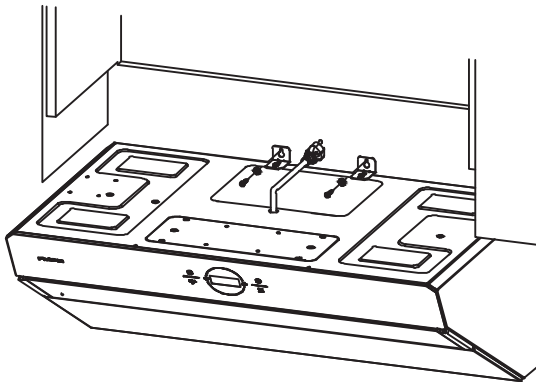
Foam Strip

7. Use the two holes under backside to hang the appliance on the installation template .

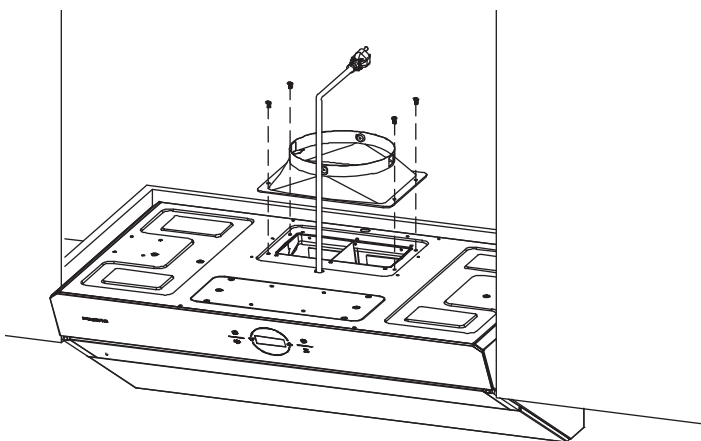
8. Fix the support brackets with (2) M4x8 round head screws above the appliance .



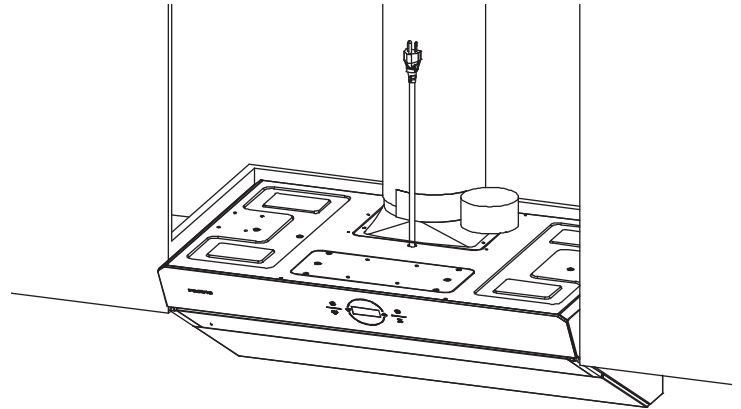
9. And use (2) 1-1/2" wood screws to screw the appliance on the wall.



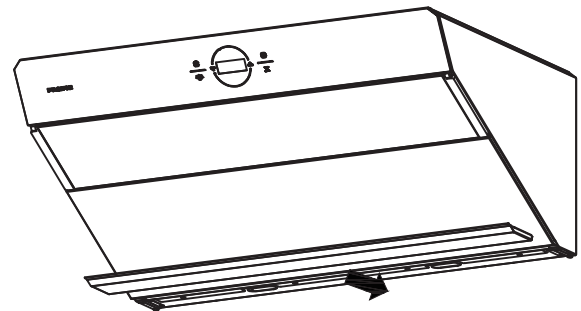
10. Use (4) M4x8 round head screws to screws the collar on the top of hood.



11. Install duct work and seal with aluminum duct tape.



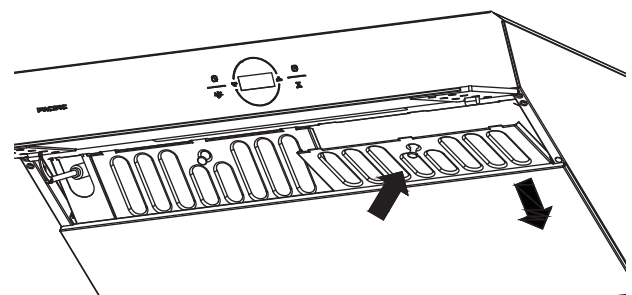
12. Remove the protective film from oil tray and install it on the lower side of appliance.



13. Plug the appliance for a test run.

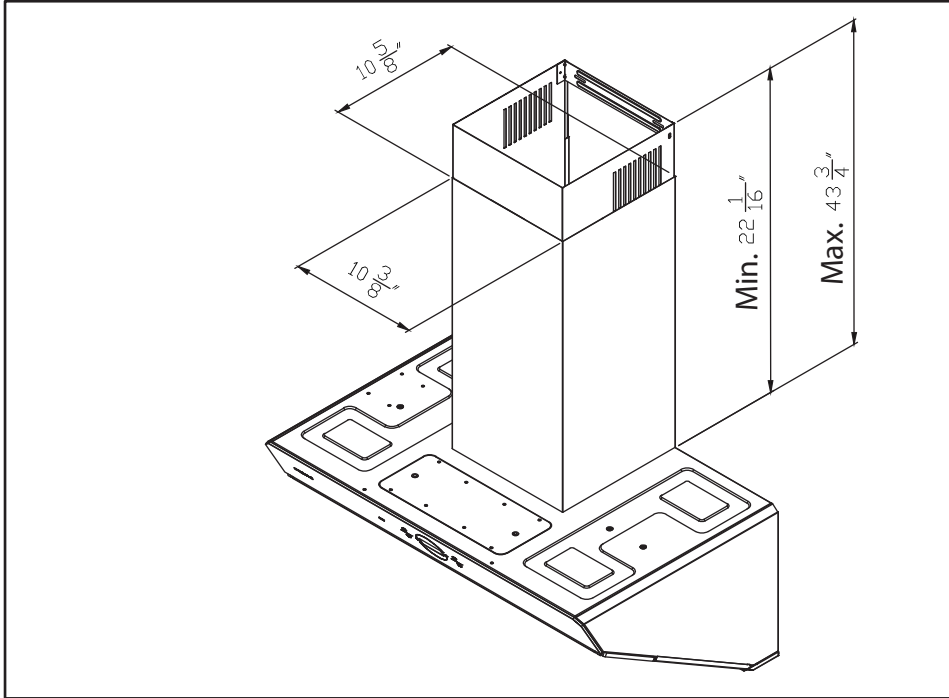
14. Turn on the light and you can open the deflect panel.

When the panel is open, please take down the baffle filters, and re-install the filters after remove the protective film from those filters.

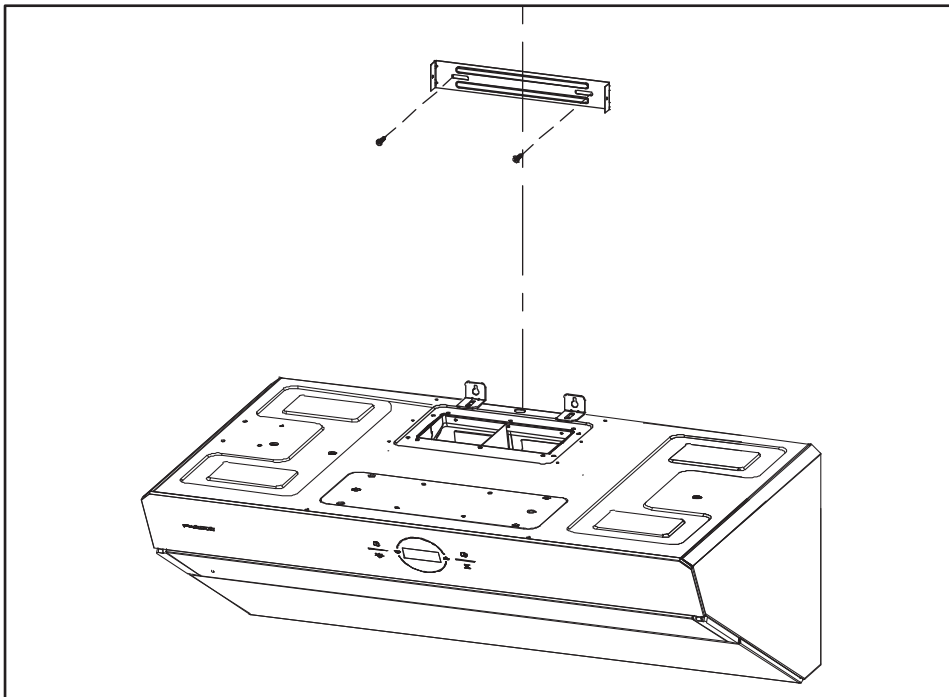


P1C-0068 Duct cover

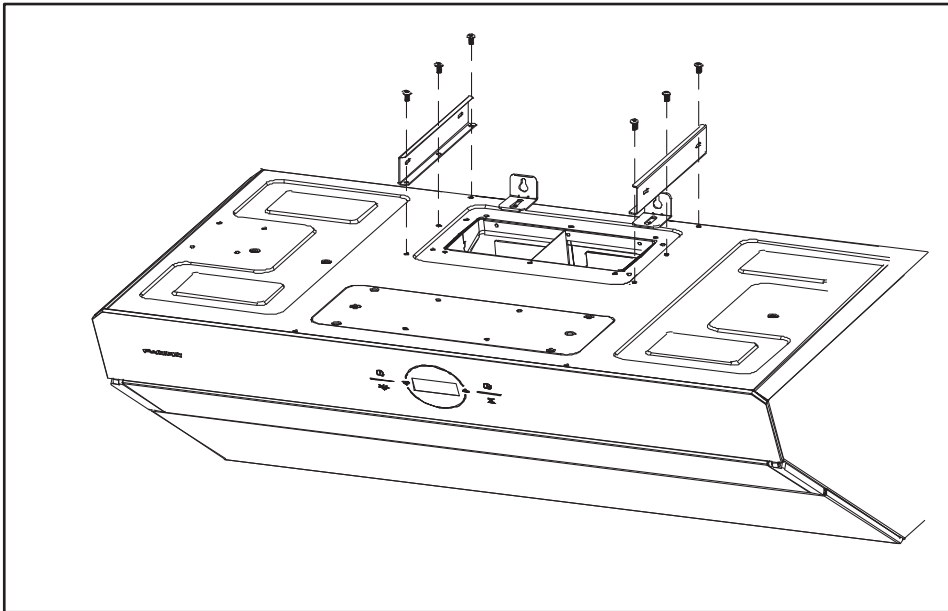
- ▶ Optional Duct Cover 30"-36"
- ▶ Model #: P1C-0068
- ▶ Note: P1C-0068 is not supplied in the package, To order it, please visit us online at www.pacifichoods.com or call 718-633-3688 .



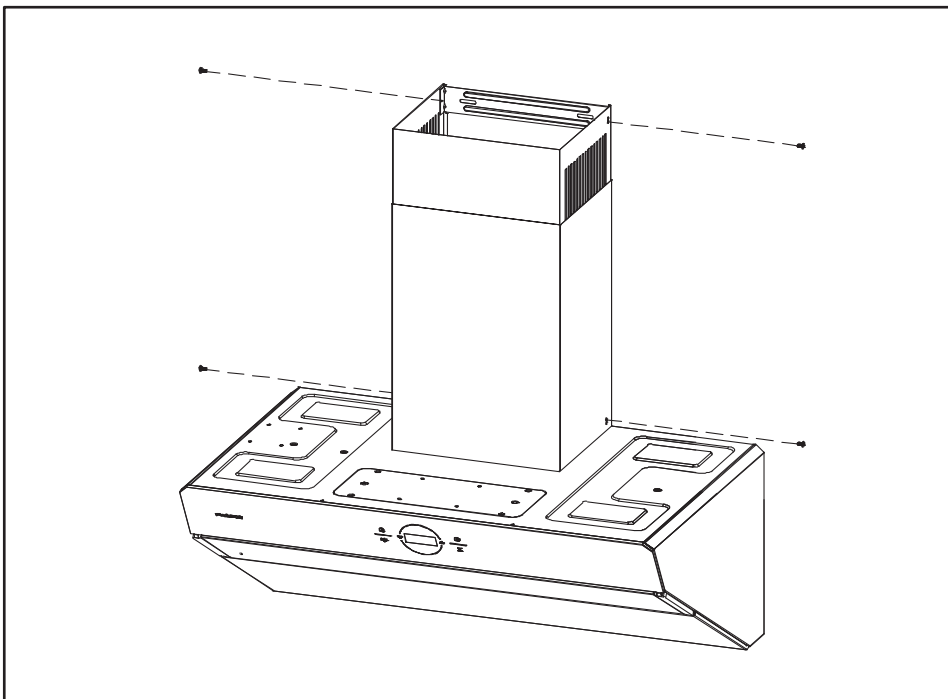
1. Center and attach duct cover bracket to wall below ceiling or soffit using (2) 1-1/2" wood screws.

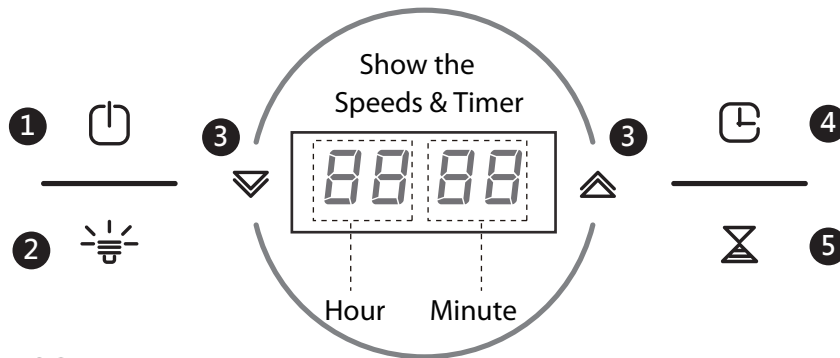


2. Attach the bottom bracket to the top of hood by securing the (6) M4x8 black screws for each side.



3. Remove the protective film from the duct cover surface.
4. Then extend inner (top) duct cover upwards and secure to duct cover bracket using (2) M4x8 round head screws.









PROXIMITY SENSOR

- ▶ When approaching the hood while it is powered off, the clock will illuminate.
- ▶ If neither the fan nor lights are turned on within 60 seconds, the clock will turn off.
- ▶ The icons will not disappear until the fan and lights are turned off.







1. On/Off

- ▶ Press  to power on or off the fan, lights and deflect panel.
- ▶ The hood has a memory function to remember the last used settings for the fan and lights.
- ▶ Lock Screen :
While the fan is off, press and hold the  for 3 seconds, and all the icon will be dim, the dimming icon means the control is lock.
The purpose of this function is to clean the control easily.
Press and hold the  for another 3 seconds until the icon turn lighter indicates that the lock function is on unlock the screen.

2. Light

- ▶ Press the  to change lighting level from 2, 1, off.

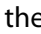

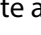


3. Speed Selection Button

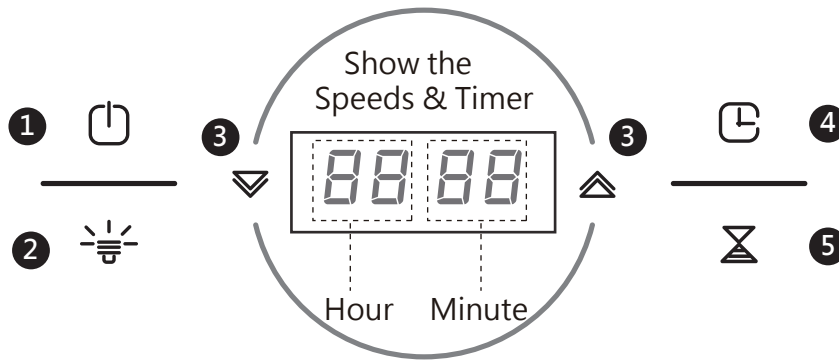
- ▶  Fan up
- ▶ Press  to increase fan speed from off, 1, 2, 3, 4 .
- ▶ If hood is Off and  is pressed, fan will turn on Speed 1.
- ▶  Fan down
- ▶ Press  to decrease fan speed from 4, 3, 2, 1, off.
- ▶ If fan is on Speed 1 and  is pressed, fan will power Off.

ACT Enabled Speed Selections

- ▶ When ACT is enabled, the fan speeds will be reduced as follows:
(1)390 CFM
(2)290 CFM

4. Delay off

- ▶ While the fan is on, press  to enable the delay off timer, it provides the options for either 3 or 5 minutes, press  one time for 5 minutes, press  again for 3 minutes, the delay off timer will automatically operate after 3 seconds when the timer is selected.
- ▶ The fan will change to speed 1, and the timer will begin counting down from 3 or 5 minutes. After the timer reaches 00:00, the fan and lights will power off.
- ▶ When delay off timer is operating,  and  are available.



5. ⌚ Timer

Alarm

- ▶ Press ⌚ one time to enable alarm function. Press ▲ to increase minutes and ▼ to decrease minutes. After completed the setting of minutes, press ⌚ second time to set the "hours". And press ⌚ again to start the alarm function. Press ⌚ to stop the alarm function.
- ▶ Under the setting mode, press and hold ▲ or ▼ for 2 seconds, the timer will quickly increase or decrease numbers.
- ▶ If no button is touched for more than 6 seconds, while the hood is in alarm setting mode, the hood will exit the setting mode without saving the changes.
- ▶ The default time is 00:00(HH:MM), and the adjustment scope is 99:59(HH:MM). The second time usage will follow the last memorized time.
- ▶ When time is up, the display will illuminates "00:00" with beep sound. Press any button to stop the beep sound, the display of "00:00" will be disappeared, and then resume the original operating status. Or press the On/Off button to turn off the fan and lights.

Clock settings

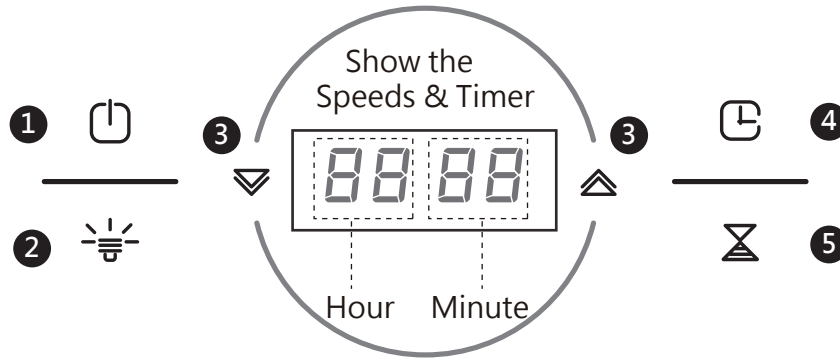
- ▶ The display time on the screen is 12-hour clock. At the first time delivery power it automatically display 12:00.
- ▶ Press ⌚ for 3 seconds to enable the clock setting.
- ▶ If no buttons is touched for more than 6 seconds, while the hood is in alarm setting mode, the hood will exit the setting mode without saving the changes. When setting the clock , the alarm function will stop forcibly.

Minute

Press ▲ to increase minutes and ▼ to decrease minutes. Under the setting mode, press and hold ▲ or ▼ for 2 seconds, the timer will quickly increase or decrease, the numbers are cyclically from 0 to 59. Press ⌚ second time to set the "hours"

Hour

Press ▲ to increase minutes and ▼ to decrease minutes. Under the setting mode, press and hold ▼ or ▲ for 2 seconds, the timer will quickly increase or decrease, the numbers are cyclically from 0 to 99. And press ⌚ to confirm.



Airflow Control Technology (ACT™)

- ▶ Some local codes limit the maximum amount of CFM a range hood can move. ACT™ allows you to control the maximum blower CFM of select Pacific range hoods without the need for expensive make up air kits. ACT™ enables the installer to easily set the maximum blower speed to one of three most commonly specified CFM levels; 390, or 290 CFM. The usage of ACT™ may not be necessary for your installation. Please check your local codes for CFM restrictions

Enabling ACT™

- ▶ With the hood off, press and hold the and simultaneously for 3 seconds, fan speed indicators illuminate for 3 seconds to show current setting. Under the ACT verification mode, press to enable setting mode. If no button is touched for more than 6 seconds, while the hood is in alarm setting mode, the hood will exit the setting mode without saving the changes.

- ▶ When the screen display 6, it is the factory setting.



- ▶ Set the maximum CFM to 390CFM: press until display 4 on screen.



- ▶ Set the maximum CFM to 290CFM: press until display 3 on screen.



Surface Maintenance

1. Please clean the range hood surface regularly with warm soapy water and wipe with a cotton cloth to prevent grease from accumulating.
2. Please do not use harsh cleansers or coarse material to clean the surface because that will damage the surface.
3. A non-invasive stainless steel polish is recommended to polish the surface after cleaning.
4. Please use soft cloth for polishing because it will make your range hood surface shinier.
5. Please do not use cleaning solutions that have bleach as an ingredient.

Surface Cleaning and Maintenance

1. Always disconnect from power supply before cleaning.
2. Clean both exterior and interior of the hood for long lasting. Do not use abrasive cleanser.
3. The stainless steel baffle filters are intended to trap residue and grease from cooking. Although the filters should never need replacing, they are required to be cleaned every 30 days or more often depending on cooking habits. Filters may be placed in dishwasher at low heat or soaked in hot soapy water. Dry filters and re-install before using hood.
4. The oil cup in the center of the hood for holding grease can be detached and cleaned regularly.
5. Make a habit of turning on the range hood first before turning on the stove to avoid high temperature in the kitchen.

Remarks

Precautions:

1. The range hood must be turned on every time before cooking to ensure maximum ventilation effect. If there is damage to the power cord, removing.
2. Changing the power cord must be handled by the manufacturer, installer or a qualified electrician.
3. When the range hood, gas stove or other fuel appliances are being used simultaneously, there must be good ventilation in the kitchen.
4. If cleaning the range hood is conducted without following the instructions in the manual, you may risk causing a fire.
5. Do not light a fire directly under the range hood.
6. The exhaust gas from the range hood can't be fed into the exhaust channel of the gas stove or any other appliances.
7. The minimum distance required between the top of the stove and the bottom of the range hood is 24 inches. If the range installation manual states that more distance are required, it must be taken into consideration. Adjust range hood to appropriate height for complete emission of exhaust.
8. To avoid danger, parts in the range hood must be disassembled with tools, and not using bare hands.

Troubleshooting

Possible Problem	Possible Cause	Solutions
After installation, the unit doesn't work.	The power source is not turned ON.	Make sure the circuit breaker and the unit's power is ON.
	The power line and the cable locking connector is not connecting properly.	Check the power connection with the unit is connected properly.
	The switch board or control board wirings are disconnected.	Make sure the wirings at the switch board and control board are connected properly.
	The switch board or control board is defective.	Change the switch board or control board.
	The wires on control board are loose.	Make sure the wires on the control board are connected properly.
Light works, but blower is not turning.	The blower wire is not connected.	Check all wirings from the blower to be sure all cables are properly connected.
	The thermally protected system detects if the blower is too hot to operate and shuts the blower down.	The blower will function properly after the thermally protected system cool down.
	The switch board or control board is defective.	Change defective part.
	The blower is defective, possibly seized.	Change the blower.
The unit is vibrating.	The blower is not secured in place.	Tighten the blower in place.
	Damaged blower wheel.	Replace the blower.
	The hood is not secured in place.	Check the installation of the hood.
The unit is whistling.	A filter is not in the correct position.	Adjust the filters until the whistling stops.
	The duct pipe connections are not sealed or connected properly.	Check the duct pipe connections to be sure all connections are sealed properly.
The hood is not venting out properly.	Using the wrong size of ducting.	Change the ducting to the correct size.
	The hood might be hanging too high from the cook top.	Adjust the distance between the cook top and the bottom of the hood within 15"-20-1/2" range.
	The wind from the opened windows or opened doors in the surrounding area are affecting the ventilation of the hood.	Close all the windows and doors to eliminate the outside wind flow.
	Blockage in the duct opening or ductwork.	Remove all the blocking from the duct work or duct opening.
Mesh filter is vibrating.	Filter is loose.	Make sure the metal clips in the handle are not stuck or replace the mesh filter.
	Spring clip is broken on the filter.	Uninstall and re-install filter. Push up on filter latch. Replace filter if needed.

Congratulations on your PACIFIC range hood purchase! Please take a moment to register your new range hood at

<https://www.2pacific.com/en-us/productregistration>



IT'S IMPORTANT

Prompt registration helps in more ways than one.

- Ensures warranty coverage should you need service.
- Ownership verification for insurance purposes.
- Notification of product changes or recalls.

PACIFIC KITCHEN LIFE | 390 Kansas St. | San Francisco, CA 94103 | 888-833-8833

To order parts, visit us online at www.pacifichoods.com

PACIFIC

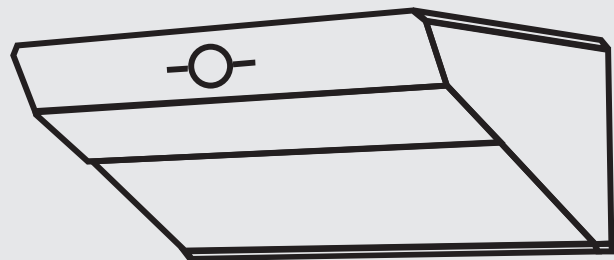
太平洋油煙機

排油煙機使用說明書

型號:

PQ6830AB, PQ6830AW

PQ6836AB, PQ6836AW



(使用前，請先詳細閱讀此說明書)

ACT[™] AirFlow Control Technology

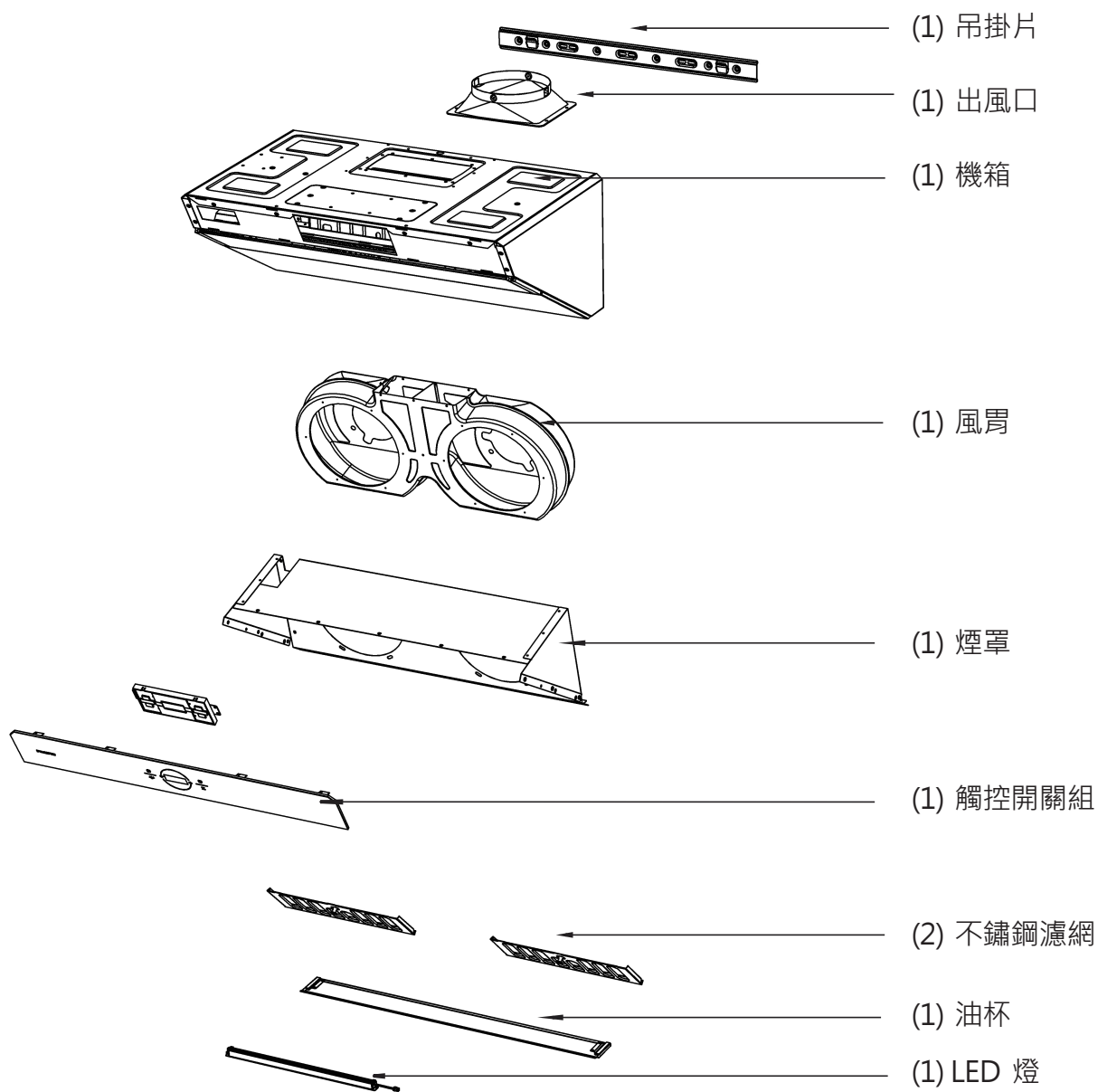
UL[®] LISTED US

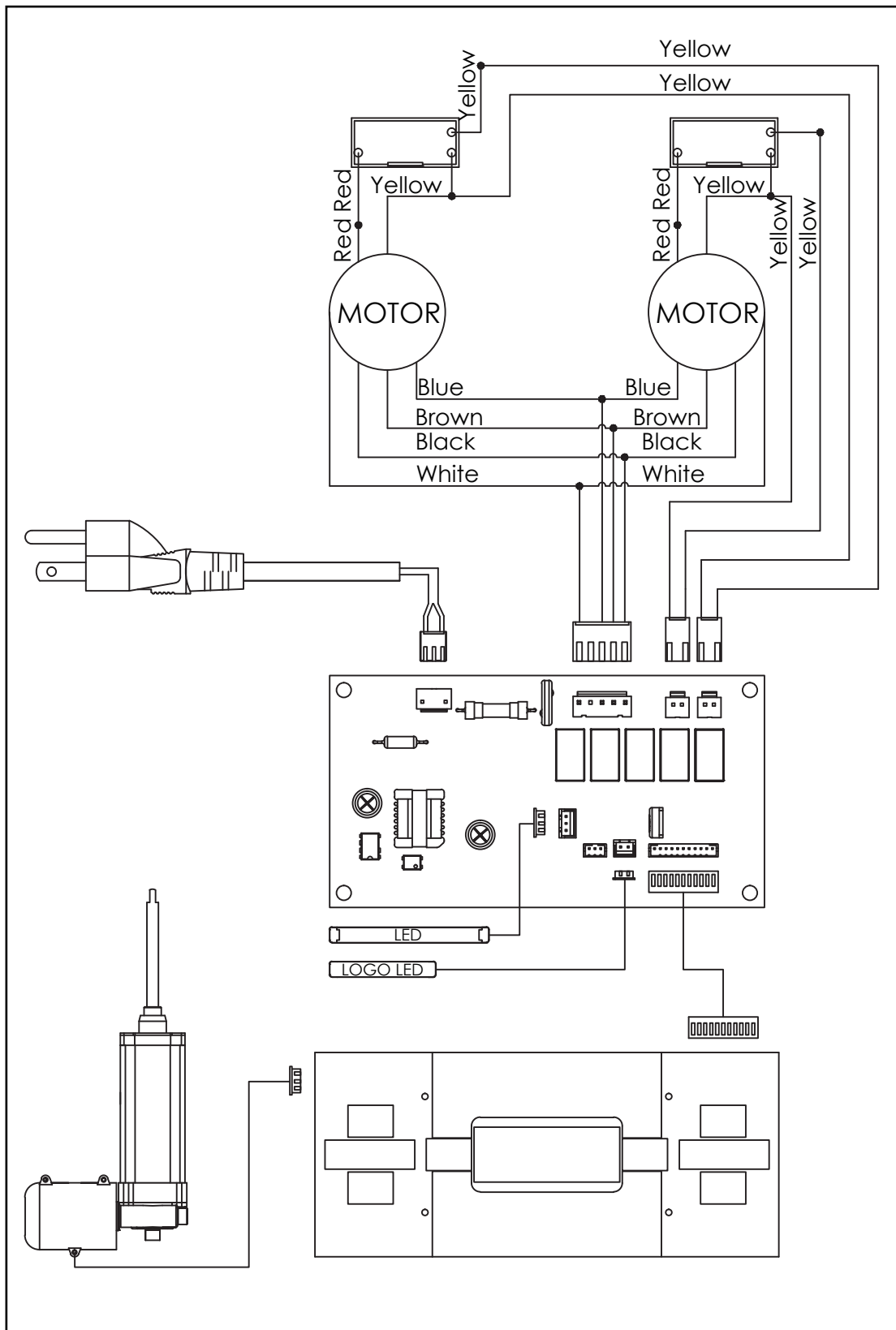
■ 功能簡介 / 性能規格表	P1
■ 爆炸圖	P2
■ 規格線路圖	P3
■ 安裝尺寸	P4
■ 配件說明	P5
■ 安裝原則	P6
■ 安裝步驟 - 櫥櫃式	P7-P8
■ 安裝步驟 - 壁掛式	P9-P10
■ 安裝步驟- 選配風管飾板	P11-P12
■ 功能操作	P13-P14
■ 產品保養與清潔	P15
■ 故障排除	P16

1. 自動記憶前次使用風速及燈段。
2. 可選擇3分鐘或5分鐘倒數計時關機。
3. 內建倒計時功能，擔任貼心的烹飪小助手。
4. 內建時鐘功能。
5. ACT™ 專利風量控制技術，可依照地區法規調整風速設定。

性能規格表

機 型	PQ6830AB/AW	PQ6836AB/AW
重量 (Kg/lbs)	24.9/54.78	27.2/59.84
顏色材質	黑色玻璃+不鏽鋼 白色玻璃+不鏽鋼	
機箱尺寸(英吋)	29-3/4" x 18-7/8" x 12-1/8"	35-7/16" x 18-7/8" x 12-1/8"
LED 照明	9W LED 燈條 x 1	
風管口徑	7吋上出風	
安裝方式	櫥櫃式/壁掛式	
額定電壓	120V-60Hz	
額定功率	4A / 340W	
排風量 (CFM)	1200 CFM	
ACT™	290/390 CFM	

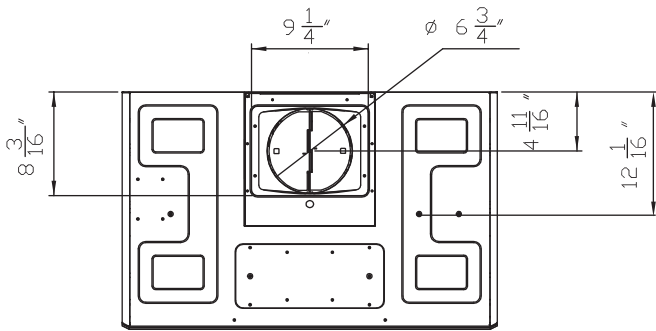




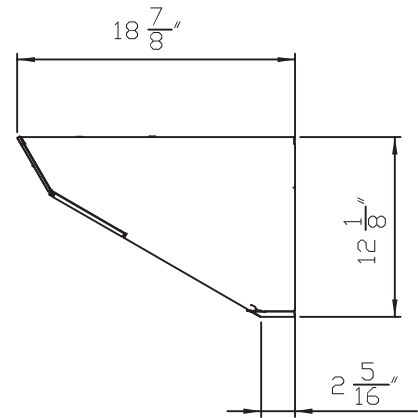
安裝尺寸

PACIFIC

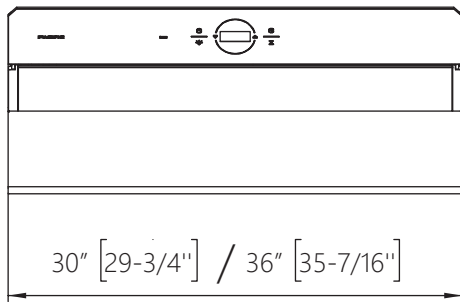
產品尺寸圖



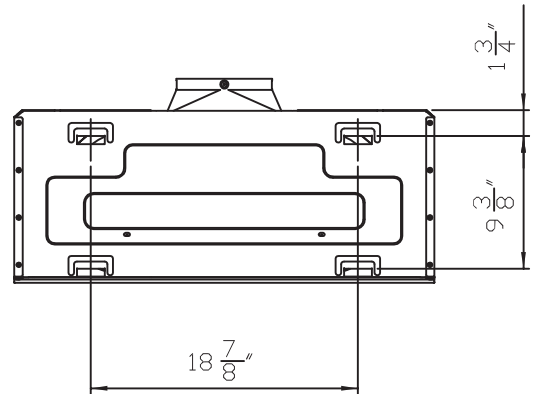
上視圖



側視圖

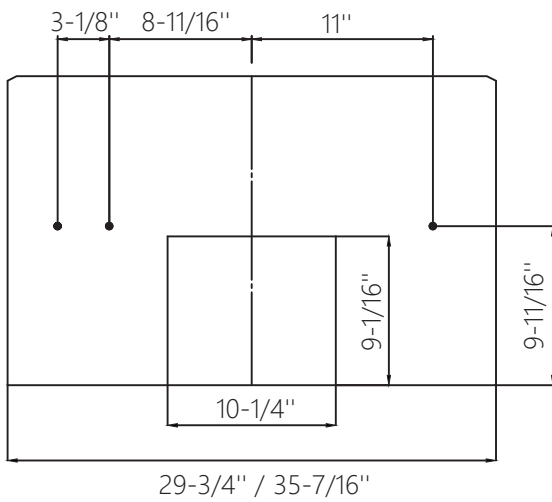


正視圖

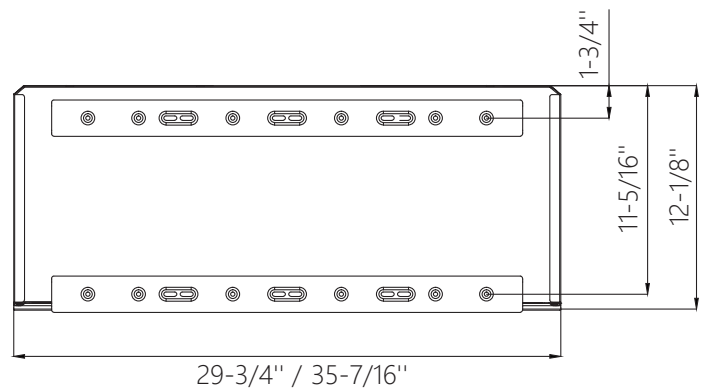


後視圖

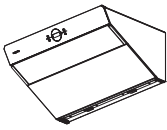


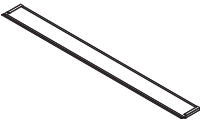

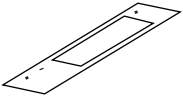
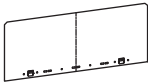



安裝尺寸圖




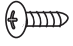


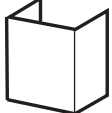
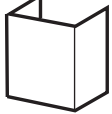
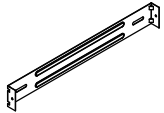
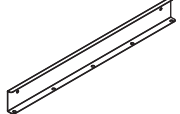
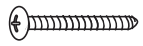
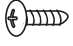
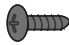
櫥櫃



壁式

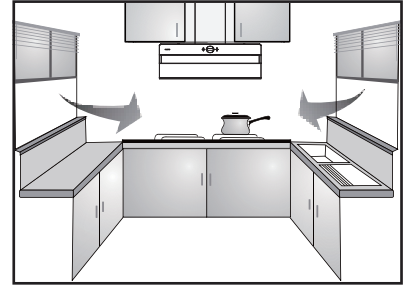
標準配置		
整機		1
出風口(7")		1
泡棉條		1
油杯		1
說明書		1
櫥櫃開孔 尺寸圖		1
吊掛片 安裝尺寸圖		1
主機吊掛片		1
輔助吊掛片		2
螺絲包		1

螺絲包內容		
5x24x1T 墊片		3
3/16*2" 扁平頭螺絲		3
1-1/2 吋木螺釘		8
M4 x 8 圓頭螺絲		6

配件(選配) 風管飾板 P1C-0068		
風管飾板(上)		1
風管飾板(下)		1
風管吊掛片		1
固定片		2
1-1/2 木螺釘		2
M4x8 圓頭螺絲		4
M4x8 黑色螺絲		6

1. 周圍環境

抽油煙機安裝位置如在窗上或附近有太多門窗，開動抽油煙機前先關閉門窗。(圖1)



(圖1)

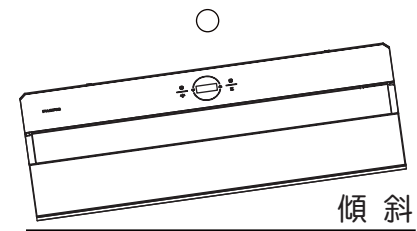
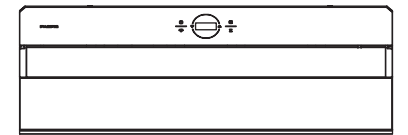
2. 安裝高度和機體位置

抽油煙機安裝高度:

抽油煙機機體應保持左、右水平避免油杯積油溢出。(圖2)

量度安裝高度應從機器最低點垂直量度至爐頭正上方，

最低15吋最高20-1/2吋。(圖3)



傾斜



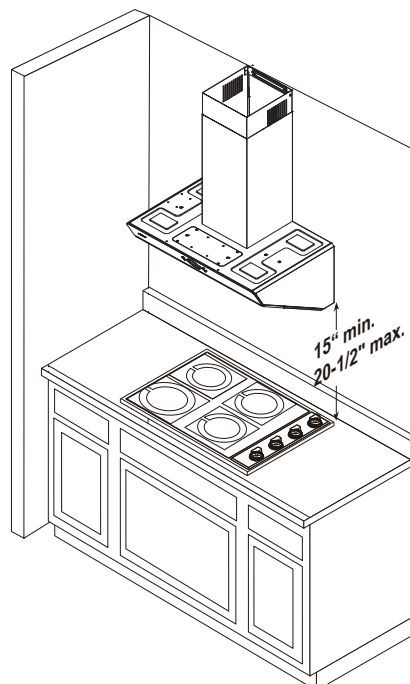
(圖2)

3. 風喉

風喉必須配合本機出風管接頭之直徑(7吋)及避免太多彎位，以免影響抽風效果。

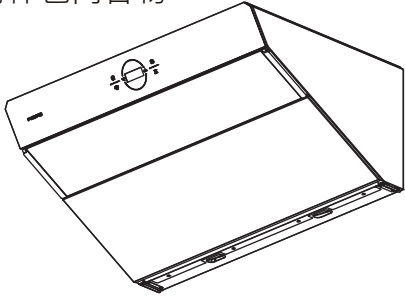
可以安裝6吋風管接頭，但會影響抽風量。

將排風管安裝至風管圈並使用金屬膠帶固定。

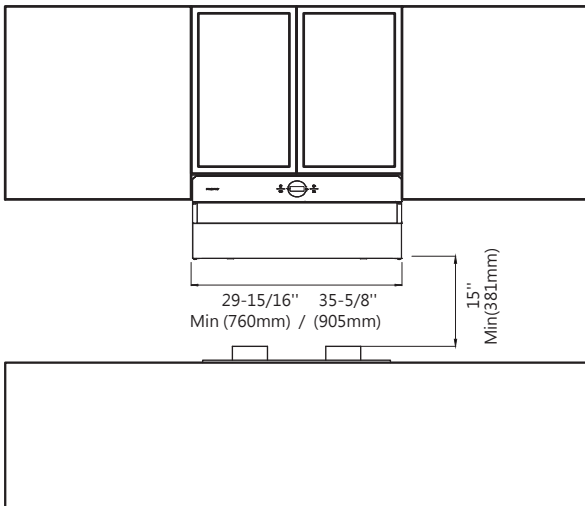


(圖3)

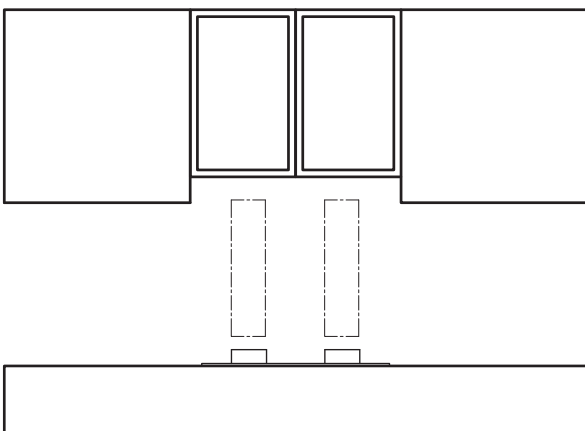
1. 拆箱取出機器，並依照配件說明清點附件包內容物



2. 安裝高度，從爐頭到機器最低點高度介於 15"-20-1/2"(381mm到520mm)之間
 30"機器 安裝寬度最小29-15/16" (760mm)
 36"機器 安裝寬度最小35-5/8" (905mm)

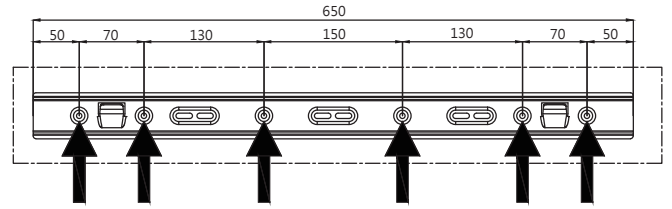


3. 尋找壁面的支撐點並標註

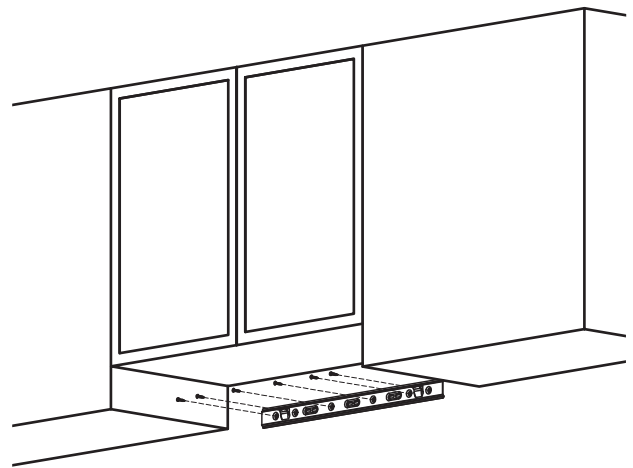


4. 測量吊掛片位置

從附件包內拿出吊掛片安裝尺寸圖，將尺寸圖貼到牆面上並依照圖面指示鑽孔



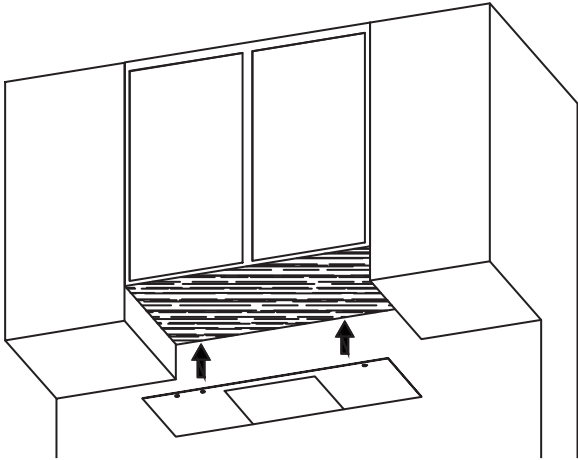
5. 撕下尺寸圖，將吊掛片放置在牆面上，調整水平後並使用(6)1-1/2"木螺釘將固定片鎖在牆壁上



安裝步驟 - 櫥櫃式

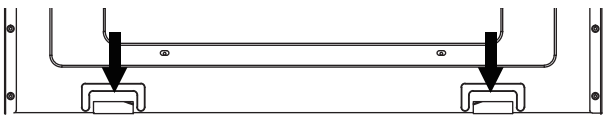
PACIFIC

6. 把櫥櫃開孔尺寸圖貼附在櫥櫃下方，並依照尺寸圖要求開孔和鑽洞，完成後撕下尺寸圖

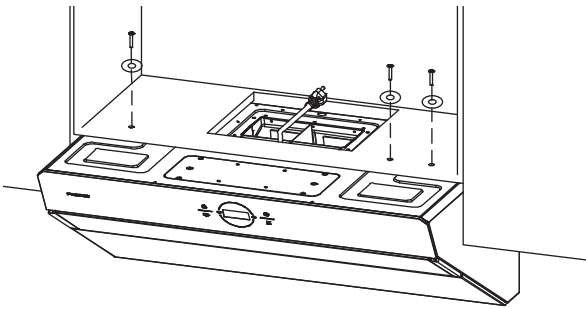


7. 將機器的保護膜全撕除

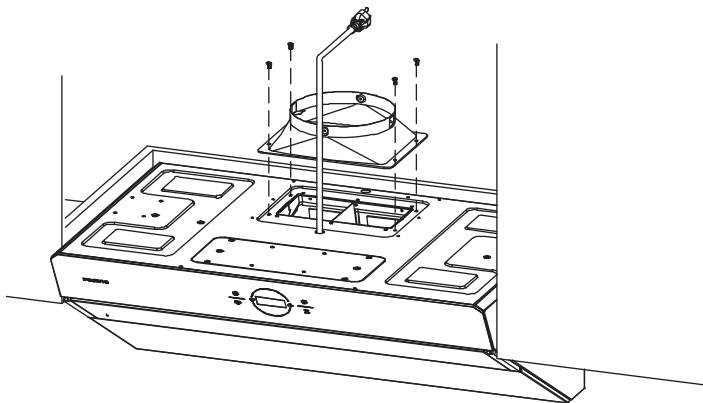
8. 將機器掛上主機吊掛片



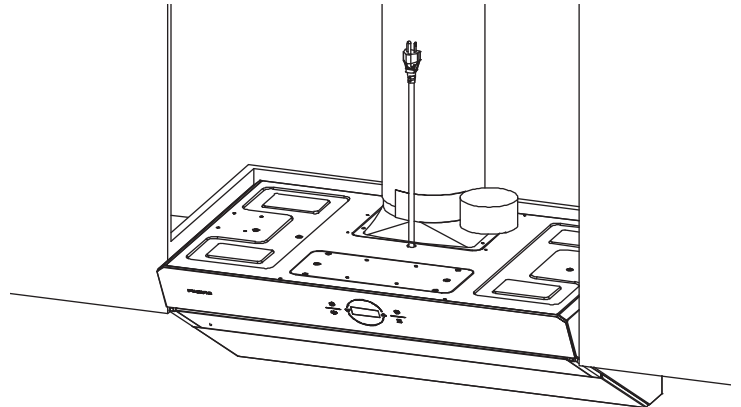
9. 用單手撐住機器，再由上方使用(3)3/16x2" 扁平頭螺絲鎖及5x24x1T墊圈，固定於櫥櫃 (右邊2個、左邊1個)



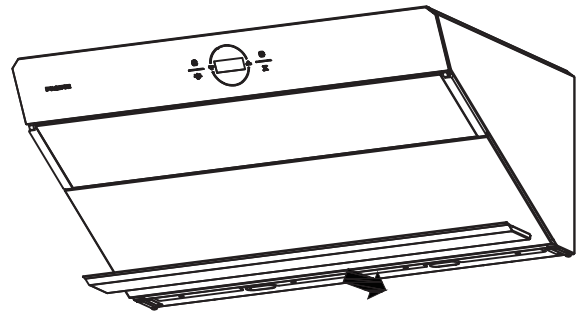
10. 使用(4)M4x8圓頭螺絲，鎖上排風管



11. 接上鋁管，使用膠帶密封周圍

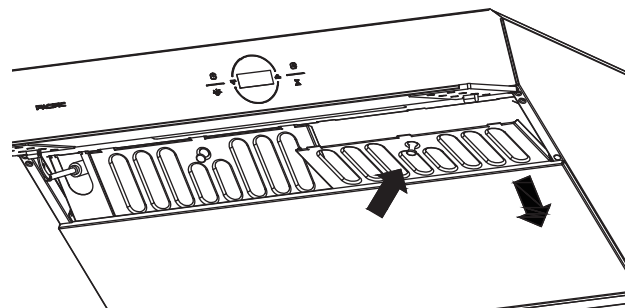


12. 將油杯上的膜撕除後，裝上機器底部



13. 插上電源後測試所有功能是否正常運作

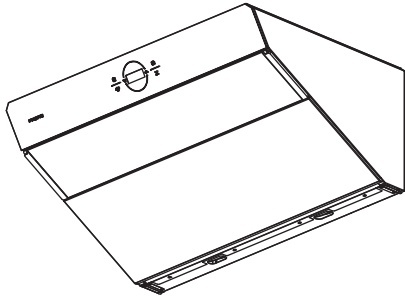
14. 測試完成後開啟照明，喚醒導流板，當導流板開啟後，請拿下濾網並撕除保護膜後裝回



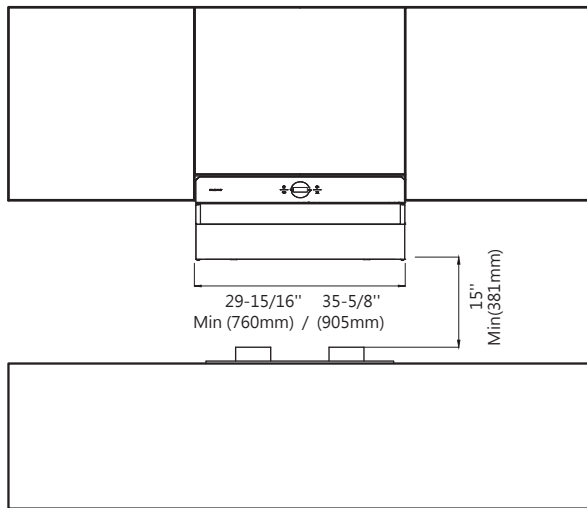
安裝步驟 - 壁掛式

PACIFIC

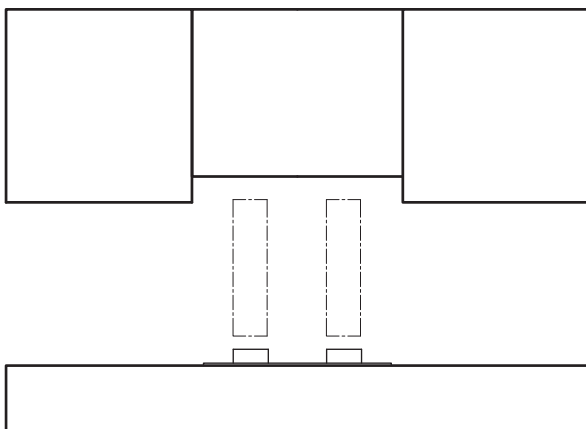
1. 拆箱取出機器，並依照配件說明清點附件包內容物



2. 安裝高度，從爐頭到機器最低點高度介於 15"-20-1/2"(381mm到520mm)之間
30"機器 安裝寬度最小29-15/16" (760mm)
36"機器 安裝寬度最小35-5/8" (905mm)

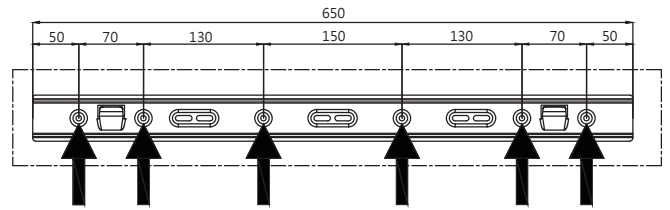


3. 尋找壁面的支撐點並標註

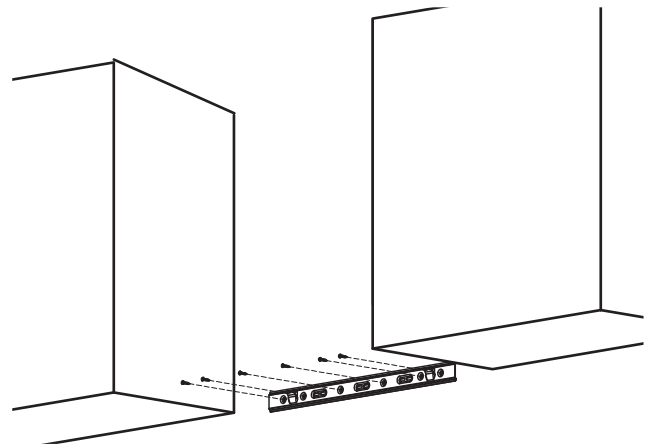


4. 測量吊掛片位置

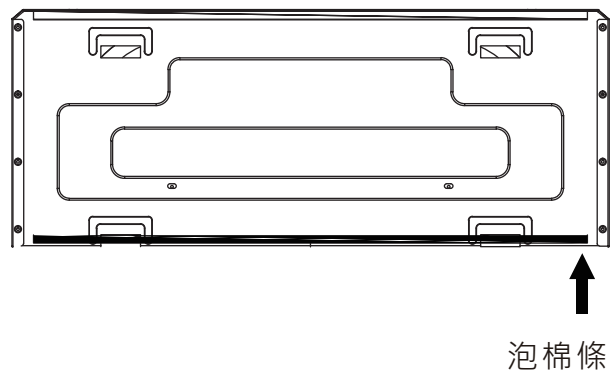
取出附件包內的主機吊掛片，依安裝高度在牆面上作記號



5. 撕下尺寸圖，將吊掛片放置在牆面上，調整水平後並使用(6)1-1/2"木螺釘將固定片鎖在牆壁上

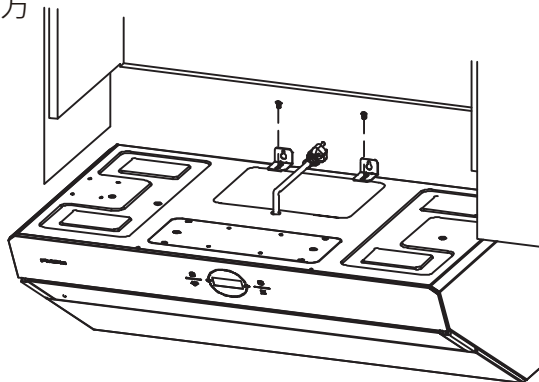


6. 將附件包內泡棉條拿出，貼在機器後方(如圖)

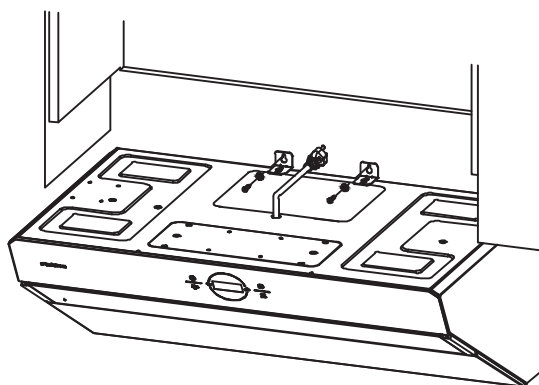


7. 將機器吊掛上去

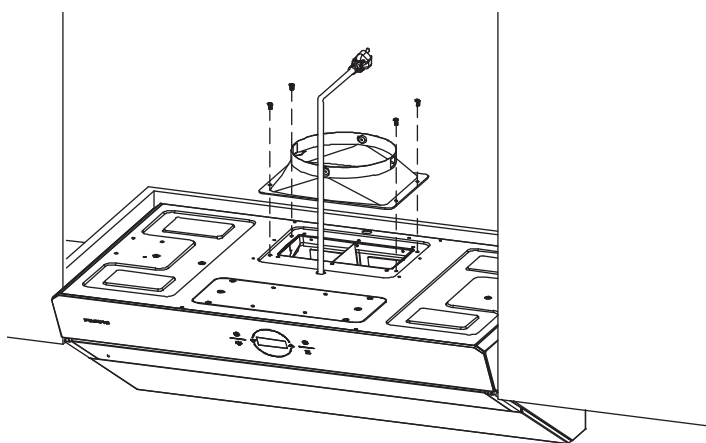
8. 使用(2)M4x8圓頭螺絲將輔助吊掛片鎖固於機器上方



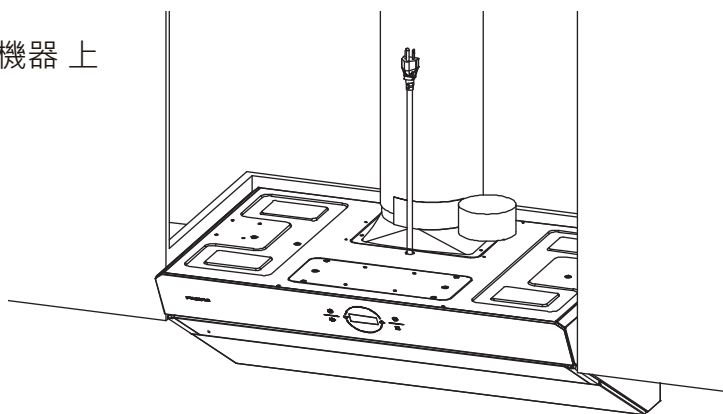
9. 再用(2)1-1/2"木螺釘將機器鎖固於牆面



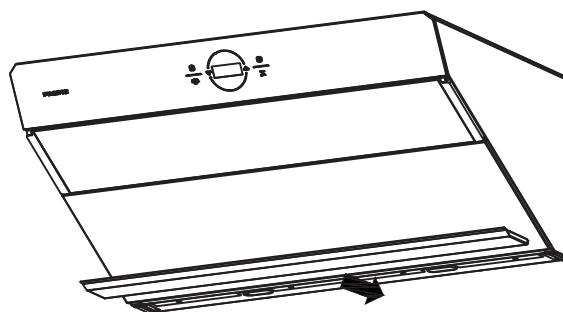
10. 使用(4)M4x8圓頭螺絲安裝7吋出風口



11. 接上鋁管，使用膠帶密封周圍

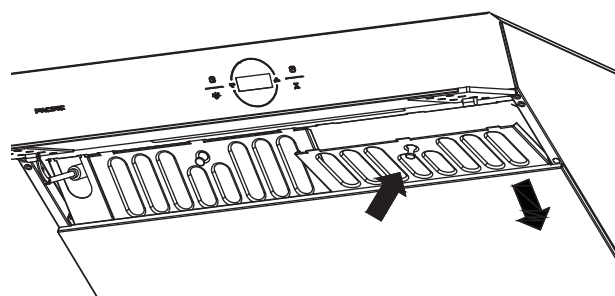


12. 將油杯上的膜撕除後，裝上機器底部



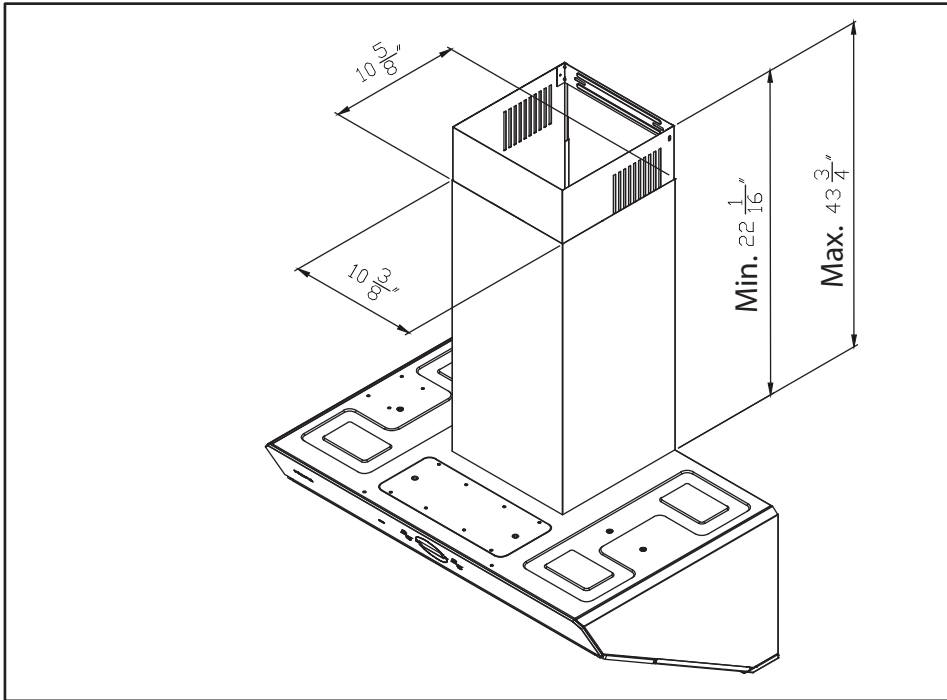
13. 插上電源後測試所有功能是否正常運作

14. 測試完成後開啟照明，喚醒導流板，當導流板開啟後，請拿下濾網並撕除保護膜後裝回

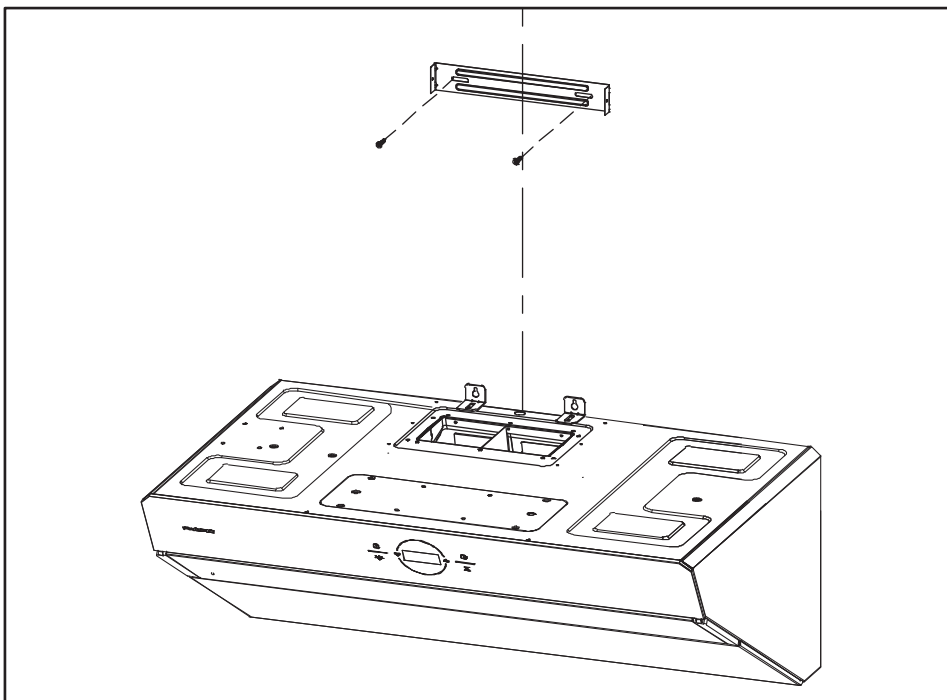


P1C-0068 風管飾板組

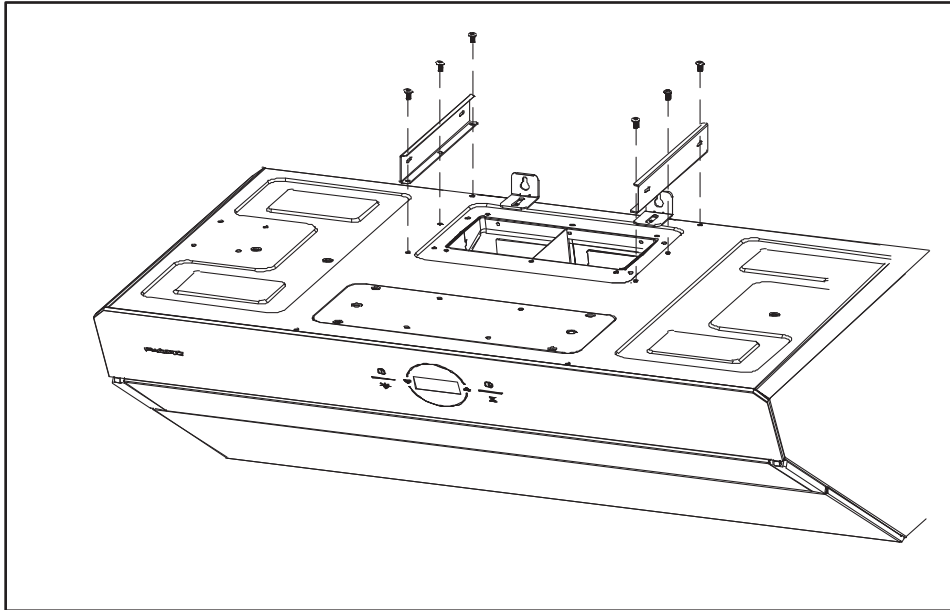
- ▶ 選配飾風管飾版組: 22-1/16" - 43-3/4"
- ▶ 型號 #: P1C-0068
- ▶ 注意: P1C-0068 不包含在機器裡面, 請上我們網站 www.pacifichoods.com 或撥打 718-633-3688 訂購此產品。



1. 將風管吊掛片與機器中心對齊，並使用(2)1-1/2"木螺釘將吊掛片鎖於牆面。

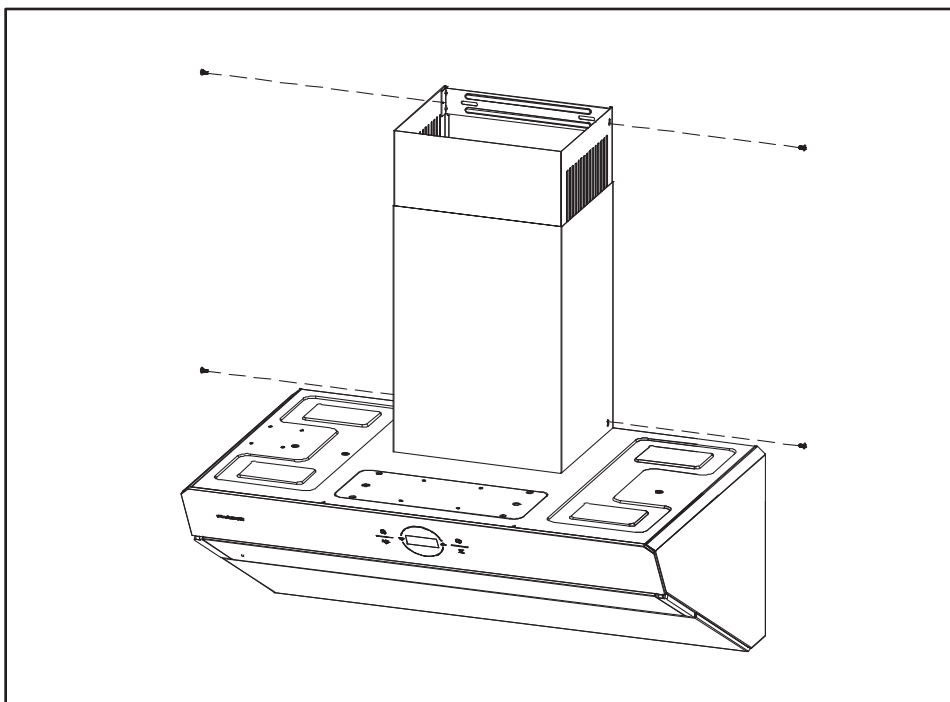


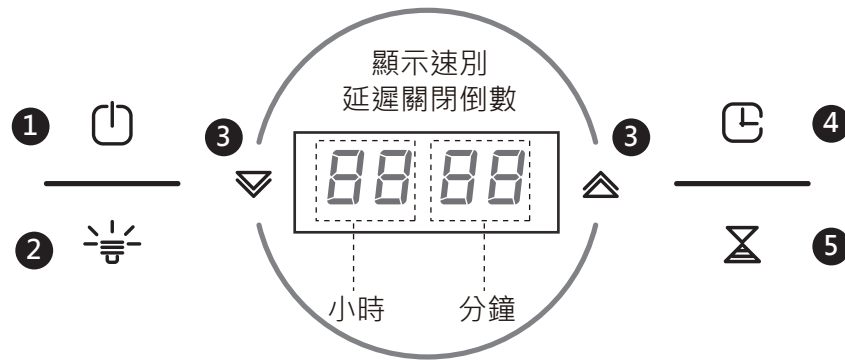
2. 將附件包內兩支固定片各使用(6)M4x8黑色螺絲鎖固於機器頂部。



3. 移除風管飾板表面保護膜。

4. 使用(2)M4x8圓頭螺絲將內風管飾板鎖固於吊掛片上，並用(2)M4x8圓頭螺絲將外風管飾版固定在底部固定片上。






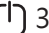
接近感應功能

- ▶ 關機狀態下，接近設備時顯示所有圖示，按下任意鍵後圖示會全部亮起。
- ▶ 在未使用任何功能60秒後螢幕會全暗，進入休眠模式。


1. 電源鍵:

- ▶ 可啟動/關閉風扇、照明及玻璃導流板。本排油煙機自動記憶使用者前次使用風速和照明。
例:關閉時，本機風扇速度為4速和照明為全亮，再次開啟開關時，風扇速度即為4速和照明為全亮，且玻璃導流板會開啟。



▶ 開關鎖定鍵:

關機狀態下，按住  3秒以上即鎖定開關按鍵，指示燈全暗掉，且觸控無反應，以利清潔玻璃觸控面板。若欲解除再按住  3秒以上，指示燈全亮時，即可操作。



2. 照明鍵:

- ▶ LED照明有二段亮度可供調整;每按一下  為全亮→微亮→關閉循環操作，推桿到定位後才會開啟照明。

3. 風速調整鍵:

- ▶ 按下  鍵可降低風扇轉速 4、3、2、1、關閉。顯示框會顯示當時的速別。
- ▶ 按下  鍵可提高風扇轉速，開啟 1、2、3、4，顯示框會顯示當時的速別。




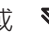

4. 延遲關機鍵:

- ▶ 有兩種時段可以選擇5分鐘或3分鐘
開機狀態下，按1下 ，啟動5分鐘延時關閉計時器，再按第2下則為3分鐘，且風速降至1速中間螢幕會顯示剩餘時間，此功能開啟時可以依需求調整風速，時間到後會自動關閉風扇和照明。
- ▶ 若想中途停止，可以按下  關閉電源即可停止倒計時。

5. 計時鍵:

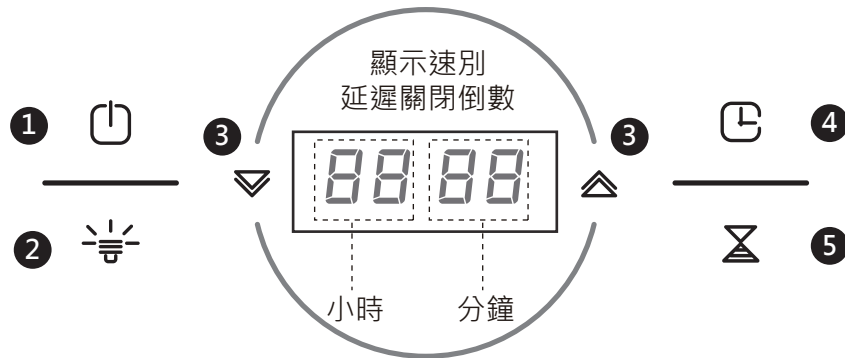
- ▶ 在未使用延遲關機功能或設定時鐘的狀態下，按1下  進入設定，設定中連續6秒未操作機器則不會儲存當前設定會自動離開設定介面。計時途中，可切換風速，按1下  就會停止計時。

分鐘

- ▶ 按壓  或  設定，分鐘數字從0到59循環，長按  或  時，中間的數字會快速跳動，若確定後按1下  即可設定小時。

小時

- ▶ 按壓  或  設定時間，數字從0到99循環，若確定後按1下  即設定完成。



時鐘:

螢幕顯示時間為12小時制，送電後機器會自動顯示12:00，若要調整，關機的狀態下長按5秒 後，進入現在時間設定，設定過程中若連續6秒以上未動作，將不會儲存當前設定並自動離開設定介面，設定時鐘時，機器會強制取消計時器動作。

分鐘

- ▶ 按壓 或 設定，分鐘數字從0到59循環，
- ▶ 長按 或 時，中間的數字會快速跳動，
- ▶ 若確定後按1下 即可設定小時。

小時

- ▶ 按壓 或 設定，分鐘數字從1到12循環，
- ▶ 長按 或 時，中間的數字會快速跳動，
- ▶ 若確定後按1下 即可設定小時。

ACT功能

- ▶ 關機狀態下，同時按住 和 3秒，會顯示原廠設定為6，按一下 進入設定，每按1下 介面數字會顯示6->4->3->6循環，超過6秒沒有動作，機器會不儲存並自動離開設定介面。

當螢幕顯示為 6，則目前風速為原廠設定



當螢幕顯示為 4，則目前設定最大為400CFM



當螢幕顯示為 3，則目前設定最大為300CFM



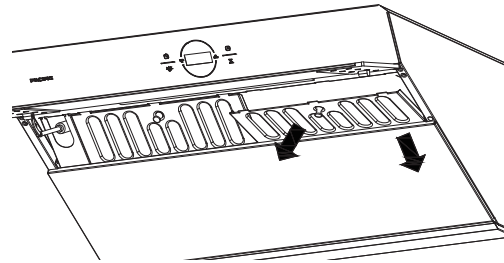
一.機身表面保養

- 1.請勿使用腐蝕性/漂白成份的清潔液和過粗材質布料擦拭，避免傷害到機身表面。
- 2.請定期以熱肥皂水和棉布擦拭機身以防油垢堆積。擦拭完成後建議使用無刺激性的不鏽鋼拋光劑來進行第二次擦拭保養。
- 3.使用軟布輕擦，您的排油煙機表面將會更加光亮。

二.過濾網保養

- 1.在沒有安裝過濾網的情況下，請勿使用排油煙機，以免油污附著到馬達和排油煙機內部
- 2.每隔一個月或30小時的使用後，應將過濾網拆下清洗。
- 3.過濾網可用溫水清洗或請使用非腐蝕性洗碗精浸泡後清洗。風乾後請安裝回機身。
- 4.若過濾網有所損壞，請洽經銷商購買更換。
- 5.移除過濾網方法如右圖示:

- (1)握住濾網把手將濾網向下壓
- (2)將濾網前端向外取出
- (3)將濾網從機器上取下

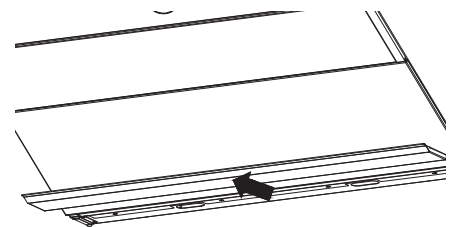


三.排油煙機清潔方法

- 1.清潔排油煙機時，請先拔掉電源插頭以免發生危險。
- 2.請勿用水沖洗馬達以免馬達燒毀。
- 3.煮食時，勿噴清潔劑清洗排油煙機，以免清潔劑掉落菜餚。
- 4.清潔時，藉由工具拆卸零件，使用者不得徒手拆卸，以免發生危險。
- 5.建議市售之廚房專用除油清潔劑。依據市售之廚房專用除油清潔劑，使用方法清潔排油煙機煙罩外殼表面。
- 6.清潔油杯：將油杯往自身方向拆下，在油杯中倒入除油清潔劑，靜置30分鐘再清洗。

▲ 請勿直接噴灑清潔劑至開關表面。

▲ 使用者依煮食習慣一周清潔一次，當油杯油污七分滿時，請清潔油杯。



異常狀況	原因	處理方式
安裝後機器沒有運作	電源未打開	確認斷路器及機器電源開啟
	電源線未正確連接	檢查與機器的電源連接是否正確連接
	開關組或主控PC板電線未正確連接	檢查開關組或主控PC板的電線是否正確連接
	開關組或主控PC板損壞	更換開關組或主控PC板
	主控PC板連接線脫落	檢查連接到主控PC板的所有連接線是否都正確連接
燈正常運作但馬達不轉	馬達連接線未正確連接	檢查連接到馬達的所有連接線是否都正確連接
	馬達熱保護裝置偵測過熱跳脫停止運作	馬達熱保護裝置溫度下降後機器將恢復正常運作
	開關組或主控PC板損壞	更換開關組或主控PC板
	馬達損壞	更換馬達
機器振動	馬達未正確安裝	將馬達鎖緊
	風葉損壞	更換風葉
	機器未正確安裝	檢查機器是否正確安裝
機器有口哨聲	濾網或導流板未正確安裝	調整濾網或導流板直到口哨聲消失
	風管未密封或正確安裝	檢查風管是否正確密封
馬達正常運作但LED燈不動作	LED燈連接線脫落	檢查LED燈連接線是否正確連接
	LED燈損壞	更換LED燈
	開關組或主控PC板損壞	更換開關組或主控PC板
機器沒有正確排風	出風口尺寸不正確	改為正確出風口尺寸
	機器的安裝高度過高	調整機器底部至爐面的距離，建議安裝距離為15"-20-1/2"。
	窗戶或門開啟導致風進入影響機器排風	關上門窗防止風影響機器排風
	出風口或排風管阻塞	移除出風口或排風管的阻塞物
風葉有反轉現象	馬達損壞	更換馬達
	出風口或排風管阻塞	移除出風口或排風管的阻塞物



恭喜您買下了屬於自己的太平洋抽油煙機!

在開始使用前，需要您花一點時間

在以下網址註冊您的油煙機。

[https://www.2pacific.com/en-us/
productregistration](https://www.2pacific.com/en-us/productregistration)



註冊很重要

即時註冊的幫助不止一種。

- 當您需要服務時，確保產品保固範圍。
- 保障產品所有權驗證。
- 產品變更或召回通知。

PACIFIC KITCHEN LIFE | 390 Kansas St. | San Francisco, CA 94103 | 888-833-8833

如需要訂購零件，請上 www.pacifichoods.com 跟我們聯繫或者以電話
718-633-3688 聯絡我們。