



P7R

## Contents

<b>1.</b>	<b>General product information</b>	<b>4</b>
1.1	Product description	4
1.2	Items	4
1.3	Scope of delivery	4
1.4	Area of usage	4
1.5	Product characteristics	5
<b>2.</b>	<b>Important hints for usage</b>	<b>6</b>
2.1	Flashlight identification information	6
2.2	Instruction identification	6
2.3	Warranty	6
2.4	Completeness	6
2.5	Damage	6
2.6	Functional specifications of system	6
2.6.1	Standards and guidelines	6
2.6.2	Intended use	7
2.6.3	Target Group	7
2.7	Disposal	7
<b>3.</b>	<b>Safety Instruction</b>	<b>8</b>
3.1	Structure of safety instructions	8
3.1.1	Identification of injury risk	8
3.1.2	Identification of material damage	8
3.1.3	Identification of additional information	8
3.2	Supplementary icons on safety instructions	8
3.3	Icons on flashlight	8
3.4	Icons on packaging	8
3.5	Overview of main safety instructions	9
<b>4.</b>	<b>Overview of terms and abbreviations</b>	<b>12</b>
<b>5.</b>	<b>Business operation</b>	<b>12</b>
5.1	Switching lamp on and off	12
5.2	Use of light functions	12
5.3	Use of Speed Focus	13
5.4	Fix and undo focus set up	13
5.5	Activate light programmes	14
5.6	Change of battery	15
5.7	Charge battery / lamp	16
5.8	Set up Charging station on wall holder	16
5.9	Secure hand loop	17
5.10	Automatic functions	17
5.11	Cleansing	17
5.12	Testings	18
5.13	Warranty	18
<b>6.</b>	<b>Technical data</b>	<b>19</b>

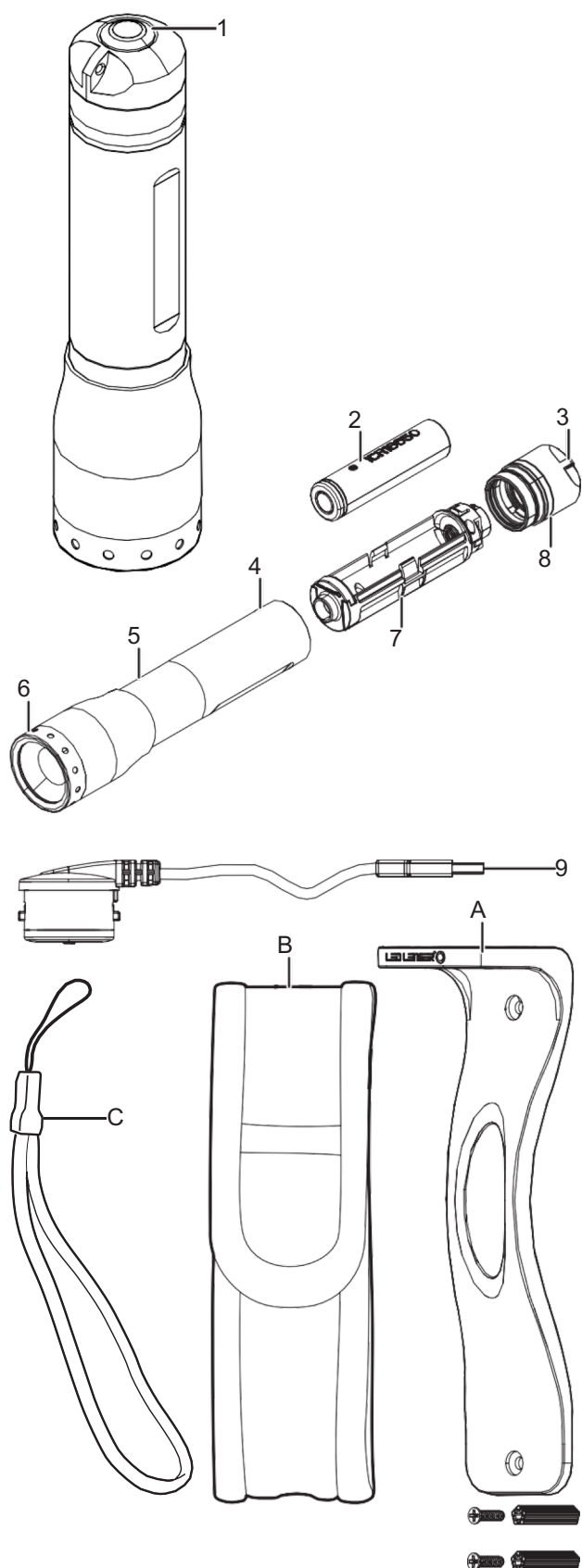
## Thank you

We are delighted that you have decided in favour of one of our products. In these Operating Instructions you will find notes regarding safety and operation to help you to familiarise yourself with your new product.

**Carefully read these Operating Instructions prior to using this product. They should be kept and handed over to third parties when passing on the product to third parties.**

This also helps to ensure that you obtain maximum benefit from the product, get your questions answered and avoid incorrect operation. Above all, observe the warning and safety instructions and dispose of the flashlight, batteries / battery packs packaging materials properly.

## 1. General Product Information



### 1. Product Description

- ① On/off button
- ② Lithium-Ion Battery (rechargeable)
- ③ Attachment for hand loop
- ④ Lamp body / battery bay
- ⑤ Adjustable focus
- ⑥ Lamp button with lens and LED
- ⑦ Battery enclosure
- ⑧ Removable end cap
- ⑨ Magnetic charger station with USB connection
- ⑩ Wall Mounting bracket with fastener
- ⑪ Carry Pouch
- ⑫ Hand loop

### 2. Items

Name	Iteml-Nr.
P7R Gift Box	9408-R
P7R Blister	9608-R

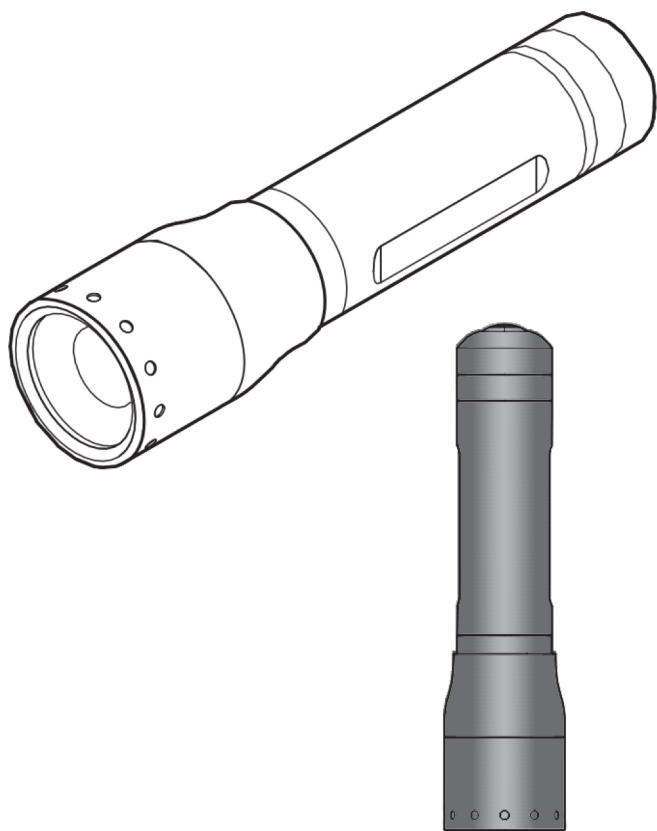
### 3. Scope of delivery

- P7R Flashlight
- Box / Blister (Packaging)
- General Safety and warnings
- Short guide commissioning of P7R
- 1 × Lithium-Ion Battery ICR18650, 3,7V, 2200mAh
- 1 × Battery station with wall handle
- 1 × Safety Bag
- 1 × Hand loop

### 4. Area of usage

The flashlight was made for outdoor use. Safe against water splashes from all directions (IPX4).

## 1. General information on product



## 5. Product Characteristics

- Elegant design
- Compact, functional Form
- Extreme durability
- Speed-Focus
- Comfortable usage
  - big on / off button
  - handy profile
  - improved ergonomics
- High powered light
- Impressively deep focus
- Homogeneously light through new elaborated lens
- Latest LED technology
- Smart Light Technology(SLT) with
  - 3 different light functions (High Power / Power / Low Power)
  - 2 light modes
- Advanced Focus System (efficient changing from a homogeneous circle of light (defocused) to a sharp laser-like long-distance beam (focused))
- Optimised cooler system
- Temperature control to prevent overheating
- Environmentally friendly because of rechargeable battery
- Charger with wall mount system and universal USB connection

## 2. Important Notes on Safe Use

Identification	<p><b>2.1 Information Regarding Flashlight Identification</b></p> <p>These Operating Instructions are designed exclusively for the flashlights and accessories identified using the following specifications:</p> <p>– Type designation: P7R</p>
Designation	<p><b>2.2 Details on usage of this guide</b></p> <p>All pages are marked with the relevant edition of the Operating Instructions using the type designation containing the 2-digit version number, release status and country designation(s):</p> <p>– Edition: P7R_V.01 – Date: 30.11.2015</p> <p>This marking is binding for the validity of the Operating Instructions and should not be removed regardless of the type of publication (printed, data format or in excerpts).</p>
Warranty	<p><b>2.3 Warranty</b></p> <p>LED LENSER ensures the safety and proper functioning of the flashlight only under the condition that:</p> <ul style="list-style-type: none"> <li>• The flashlight is only used according to the intended purpose and operated and maintained in accordance with the information contained in these Operating Instructions,</li> <li>• Only original spare parts or accessories approved by LEDLENSER are used,</li> <li>• The flashlight is not modified in any way.</li> </ul>
	<p><b>2.4 Completeness</b></p> <p>Check the lamp for completeness and any damage before installation.</p> <ul style="list-style-type: none"> <li>• Unpack all components for checking and perform a visual inspection.</li> <li>• The components can be identified using these Operating Instructions.</li> </ul>
	<p><b>2.5 Damage</b></p> <p>Please contact the vendor / distributor in the event of damage or missing items.</p>
	<p><b>2.6 Purpose of the System</b></p> <p><b>2.6.1 Standards and guidelines</b></p> <p>Flashlight, accessories and Operating Instructions comply with the requirements of following standards and regulations:</p> <ul style="list-style-type: none"> <li>• General Product Safety Directive 2001/95/EG / Product Safety Act (GPSG),</li> <li>• Directive 2014/30/EU of the European Parliament and the Council on the Harmonization of the Laws of the Member States on electromagnetic compatibility,</li> <li>• Regulation (EC) No 1907/2006 of the European Parliament and the Council on the Registration, Evaluation, Authorization and Restriction of Chemicals (REACH),</li> </ul>

## 2. Important Notes on Safe Use

- DIN EN 62471:2009 Photobiological safety,
- Directive 2011/65/EU "Restriction of the use of certain hazardous substances (RoHS) in electric and electronic devices" of the European Parliament and the Council,
- IEC 82079-1:2012 - Preparation of instructions for use – Structuring, content and presentation - Part 1: General principles and detailed requirements.

### 2.6.2 Intended Use

The P7R is a powerful flashlight with a focusable cone of light and rechargeable battery. It's designed to be able to see and be seen during activities in the dark.

- The flashlight is suitable for continuous operation.
- The flashlight is suitable for outdoor use.
- Any use beyond the above-mentioned conditions is considered to be improper use. The user is liable for any damage resulting from such use.

### 2.6.3 Target group

The flashlight is suitable for persons above 14 years of age without any limitations. Persons with physical or technical limitations and children between 4 and 13 years may only use the flashlight under the supervision of a parent or guardian.

## 2.7 Disposal

- The flashlight must be disposed of at a suitable place of disposal for recycling electric and electronic equipment according to the country-specific regulations.
- Submit used batteries/battery packs to a local battery collection point or anywhere where batteries/battery packs are sold in accordance with country-specific regulations.



### 3. Safety Instructions

 **DANGER**

 **WARNING**

 **CAUTION**

**ATTENTION**

**NOTE**



#### 3.1 Safety Notes Structure

Important notes are marked with pictograms and signal words in these Operating Instructions.

##### 3.1.1 Risk of Injuries Markings

Signal words, such as DANGER, WARNING or CAUTION designate the grading of a potential risk of injuries. The different triangle symbols emphasize the level of risk optically.

**DANGER** indicates an immediately dangerous situation that, if not avoided, may lead to death or serious injury.

**WARNING** indicates a potentially dangerous situation that, if not avoided, may lead to death or serious injury.

**CAUTION** indicates a potentially dangerous situation that, if not avoided, may lead to slight or minor injury.

##### 3.1.2 Damage to Property Markings

**ATTENTION** indicates a potentially dangerous situation that, if not avoided, may lead to property damage.

##### 3.1.3 Marking of Additional Information

**NOTE** gives you added information and helpful tips on safe and efficient use of the flashlight.

#### 3.2 Additional Pictograms Regarding Safety Notes

**Explosion hazard:** warns of explosion of the batteries caused by strong heating.

**Risk of glare:** warns of glare caused by light beam with high brightness.

**Follow the Operating Instructions:** refers to compliance with these Operating Instructions.

#### 3.3 Pictograms on the Flashlight

**Optical radiation:** warns of potential damage to the retina caused by photobiological radiation.

#### 3.4 Pictograms on the Packing

**CE marking:** confirms conformity with the applicable standards and legal provisions.



### 3. Safety Instructions



#### 3.5 Overview of the Key Safety Notes

- The following safety notes should be read carefully before using the flashlight!
- If the flashlight is passed on to another person, the operating instructions and these precautions and warnings must also be passed on.
- If there are warnings or warning symbols on the item, they should not be removed.

Health risk

#### WARNING

##### ACCIDENT/INJURY RISK FOR CHILDREN

**Do not permit the flashlight to be operated by children, by persons under the influence of medication or drugs, or by persons with physical or mental disabilities/illnesses, as there is a risk of injury to the eyes and a risk of accidents.**

*Therefore:*

- Do not allow children to play with the flashlight.
- Persons with limitations should only use the device under the supervision or instruction of a responsible person.

#### WARNING



##### RISK OF GLARE

**The strong glare-effect of the flashlight may, however, cause temporarily limited vision and after-images that may cause irritation, disturbances or accidents.**

*Therefore:*

- Never ever look directly into the beam of light or illuminate the eyes of another person, do not carry out pupil testing.
- Do not point the beam of light at people or animals as they may be dazzled.
- Do not use any optically highly-focused devices to observe the beam of light.
- Do not use multiple flashlights at once as this increases the optical radiation and thus increases the risk of retina damage.
- Commercial users or users in the public services are to be instructed in the applicable laws and regulations.

*What to do:*

- If a beam of light hits the eyes, deliberately close the eyes and move the head out of the beam of light.

#### CAUTION

##### RISK OF INJURY

**Do not use flashlight or accessories if they are damaged, since there is a risk of injury.**

*Therefore:*

- Take damaged parts out of operation and replace or have them repaired professionally.

### 3. Safety Instructions

#### ⚠ CAUTION



##### PHOTOBIOLOGICAL SAFETY (EYE SAFETY)

The flashlight is classified in risk group 2 (medium risk) in accordance with standard IEC 62471 and thus extends beyond the “free group”. The risk of damage to the retina caused by optical radiation (blue light from 400 nm to 780 nm) is inherent, yet the thresholds are considerably undercut.

#### NOTE

##### ELECTROMAGNETIC COMPATIBILITY

The flashlight meets the requirements of the 2014/30/EC guideline with regard to electromagnetic compatibility.

Modifications / Repairs

#### ⚠ CAUTION

##### DO NOT MAKE ANY MODIFICATIONS/REPAIRS

Repairs, additions or modifications to the flashlight are not permitted as these may lead to damages to the flashlight or a risk to persons:

Therefore:

- Do not use, damage, alter or short the lamp as a tool.
- Do not open the flashlight unless this is expressly permitted by the operating instructions.
- Never carry out repairs yourself, always take the flashlight to a specialist dealer.

#### ⚠ WARNING



##### EXPLOSION DANGER

Overheating may cause batteries to explode.

Therefore:

##### With batteries...

- do not expose to direct sunlight / high heat for long periods,
- do not heat or throw into the fire and accumulate heat in the lamp by e.g. Avoid covering,
- do not throw in the water or leave in the rain,
- do not swallow,
- do not open, damage or short circuit,
- keep out of the reach of children,
- only insert into the battery case according to the indicated markings +/-,
- if the lamp is not used for a long time or if it is used up remove it from the lamp.

### 3. Safety Instructions

#### ATTENTION

##### Battery replacement

- Store batteries / battery packs in a clean, dry place between -10 °C and +25 °C.
- Only insert batteries in accordance with the markings (+/-).
- If necessary, clean the battery and/or flashlight contacts before inserting.
- Only use appropriate LEDLENSER batteries.
- Keep batteries away from children.

#### ATTENTION

##### RISK OF SHORT-CIRCUITING

In order to avoid the risk of a short-circuit when recharging:

- Do not touch the charging contacts with damp or metal objects.
- If need be, clean the charging contacts.
- Only recharge flashlight/battery packs in dry rooms.

#### ATTENTION

##### MALFUNCTIONING OF THE FLASHLIGHT

**Always check the flashlight for functionality prior to use and, to be on the safe side, carry a replacement flashlight and sufficient replacement batteries or battery packs with you. If the flashlight does not function or does not function correctly, proceed as follows:**

- Check whether the batteries/battery packs have been inserted with the poles (+/-) the correct way round and are fully charged.
- Check the flashlight or battery/battery pack contacts and clean if necessary.

What to do:

- To use all the functions again, insert new batteries or recharge the battery packs.

Disposal / environmental protection

#### ATTENTION

##### DISPOSAL/RECYCLING

**Flashlights and used batteries/battery packs may not be disposed of in the household or residual waste. They must be disposed of in accordance with national legal requirements.**

**The materials are recyclable according to their labeling.**

**Reuse of the materials makes an important contribution toward environmental protection.**

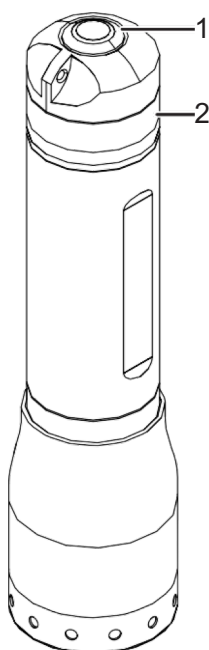
Therefore:

- Submit flashlights in to a local collection point for the recycling of electrical and electronic devices.
- Submit used batteries/battery packs to a local battery collection point or anywhere where batteries/battery packs are sold.
- Batteries / battery packs may only be disposed of when discharged.
- Separate the packaging materials and dispose of correctly.

## 4. Overview of abbreviations and terms

	The following technical terms / abbreviations are used in these Operating Instructions:
SLT	Smart Light Technology
LED	Short for Light-Emitting Diode

## 5. Operation



### 5.1 Turn the lamp on or off

The flashlight is operated by pressing the push button on the end cap.

The push button can be engaged for constant illumination; just a gentle activation can be used to create flashes, for example, to send signals or warnings.

- To switch on the flashlight, firmly press the on / off push button ① in the end cap ② and engage.
  - The push button ① engages with audible "Click".
  - The flashlight is now constantly lit.
- To turn off the flashlight, press the on / off button ① in the end cap ② firmly again and release.
  - The on / off push button ① engages with audible "Click".
  - The flashlight is no longer lit.
- To create light signals, on / off pushbuttons ① in the end cap ② gently and, if need be, hold.

### 5.2 Use light functions

There are 3 levels:

1 = High Power

2 = Power

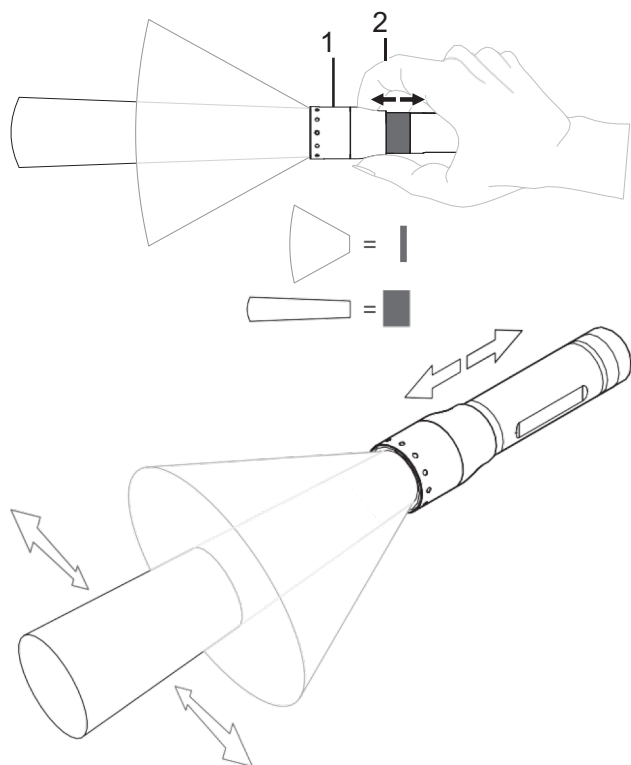
3 = Low Power

To change light functions, press on or off ① either...

- Multiple times or
- Press several times lightly and when the desired program has been located, press firmly to engage
  - Each time you press the switch, you activate the next lighting function.
  - After more than 3 gentle button pushes, the cycle starts again from the beginning.

Press Button	Light funktion
1 x	High Power
2 x	Power
3 x	Low Power

## 5. Operation



### 5.3 Speed Focus

The light beam of the lamp can be infinitely adjusted from homogeneous, circular low distance beam to sharply focused long distance beam through the one-hand sliding carriage mechanism.

1. Turn on lamp.
2. Hold the lamp with your hand and the lamp head ① grasp with thumb and forefinger ②
3. Slide lamp head ① to the front (concentrated long beam) or rear (circular short beam) until the desired beam width is reached.
4. Release ① lamp head.  
→ lamp head ① stops in the set position.

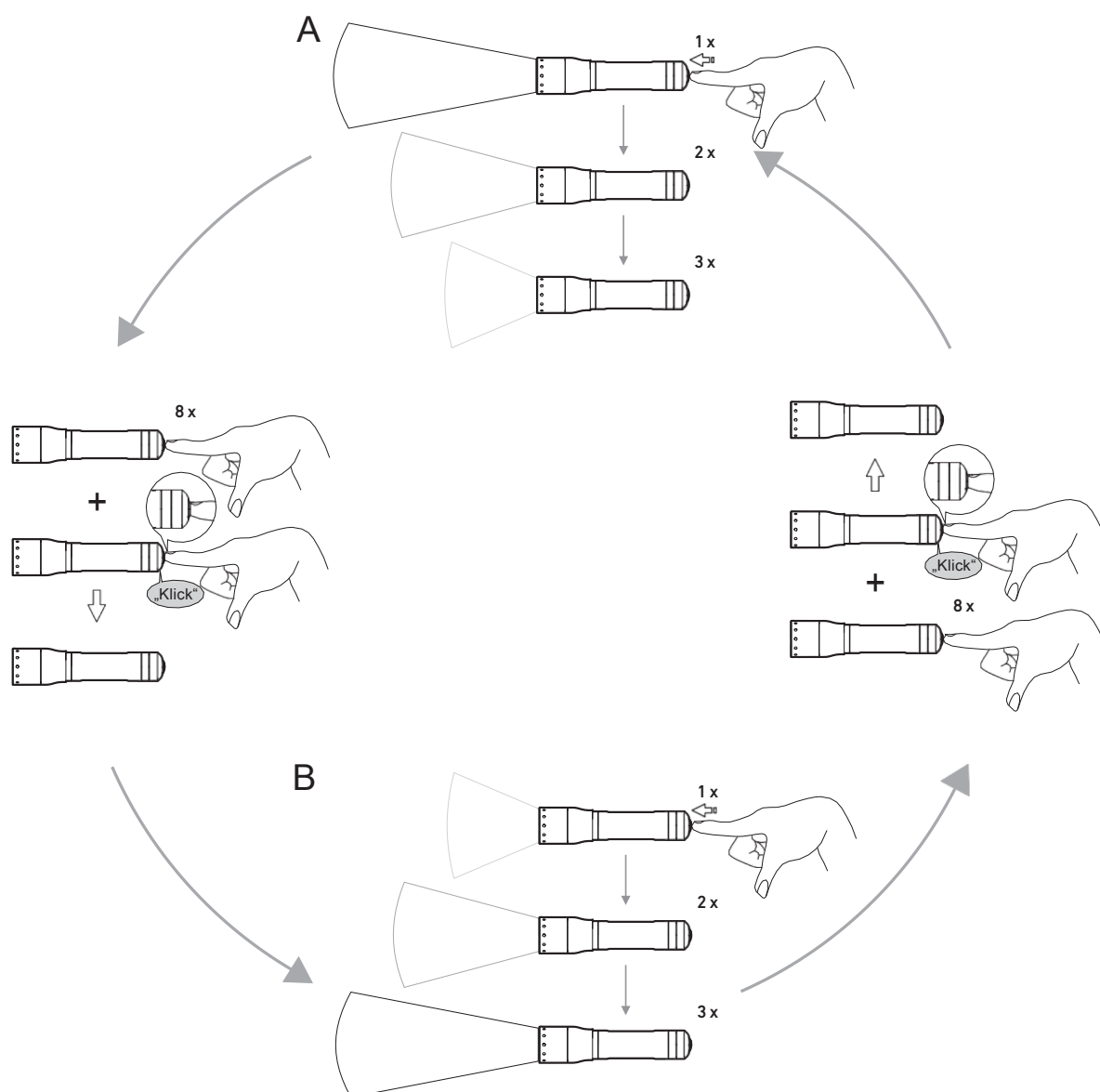
### 5.4 Fix / release focus adjustment

To fix the current focus setting (Focus Lock), turn the lamp head ① to the left.

→ current focus setting is retained.

To release the focus setting, turn the lamp head to the right ① and readjust the lamp head according to chapter 5.3

## 5. Operation



### 5.5 Activating Lighting Programs

The flashlight has 2 lighting programs that can be used to determine the sequence of the lighting functions. In the delivered state, program A is activated. Use this method to select from the following programs:

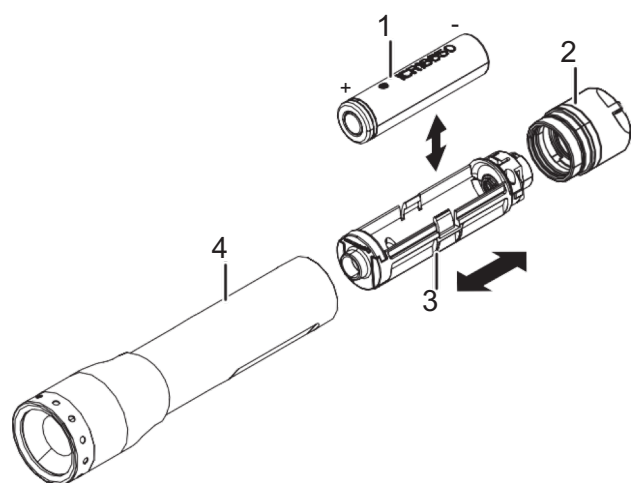
#### Programm A

Press Button	Light function
1 x	High Power
2 x	Power
3 x	Low Power

#### Programm B

Press Button	Light function
1 x	Low Power
2 x	Power
3 x	High Power

## 5. Operation



1. Turn off Flashlight.
2. To change the light program, first press the on / off button 8 times (or more frequently) and then click into place.
  - The lamp changes the light program and indicates this by two short flashes.
  - After flashing, the first light function for the respective program is selected, i. E. either strong or dimmed light is emitted.
  - The repetition of the process switches back to the other lighting program.

### 5.6 Changing the battery

1. Unscrew end cap ② of torch.
2. Pull out the battery holder ③.
3. Remove the battery ① from the battery holder ③ and replace it.

#### ⚠ CAUTION



#### EXPLOSION HAZARD

Always insert the battery pack/ batteries in accordance with the (+/-) markings otherwise there is a risk that the battery pack/batteries may be damaged or even explode.

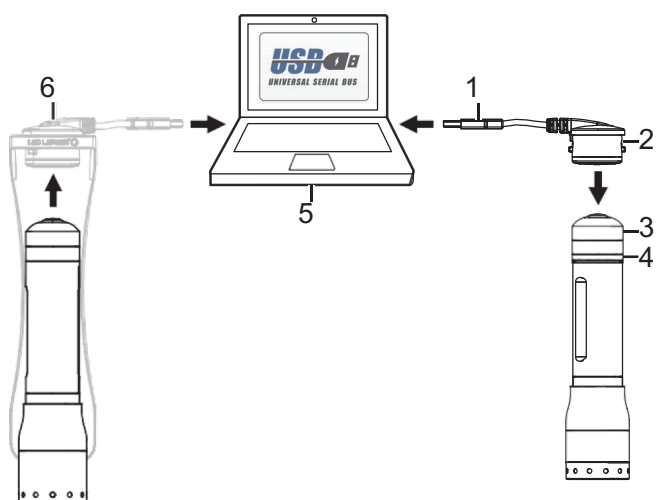
4. Insert the new battery ① into the battery holder ③ according to the (+/-) markings.
5. Insert the battery holder ③ with the positive pole (+) in the front of the battery compartment ④.
6. Screw on end cap ② again.

#### ⚠ WARNING

#### USE OF BATTERY

Only a protected LEDLENSER® ICR18650 Li-Ion battery may be used in the P7R.

## 5. Operation



### 5.7 Charging the battery / flashlight

#### WARNING

#### Charging of battery

Only the rechargeable LED LENSER® ICR18650 Li-Ion battery may be charged in the included charging station.

#### Charging station without wall bracket

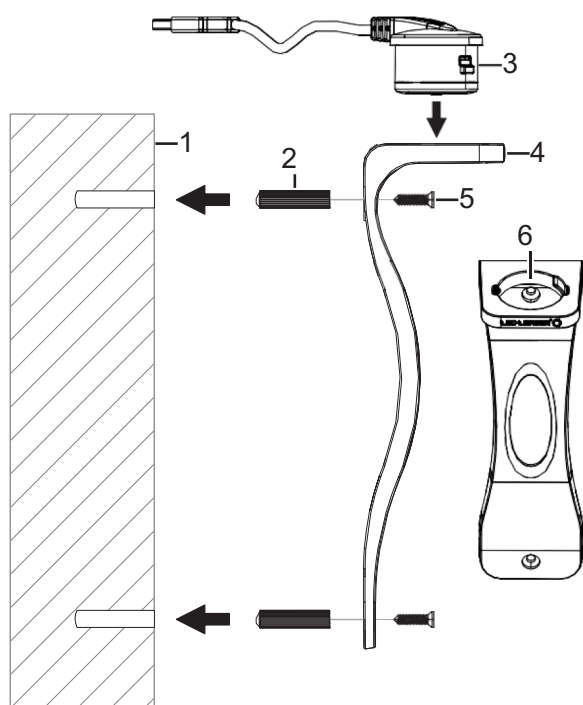
1. Put the flashlight on a flat surface
2. Place the charging station ② on the end cap ③ of the flashlight.
  - charging station magnetically connects to the end cap.

#### Charging station with wall bracket

3. The end cap from below to the charging station ⑥ in the Dock wall bracket.
  - The flashlight is held magnetically.

#### Both variants of charging station

4. Attach the USB plug ① of the charging station ② with ...
  - a standard USB power adapter on the power grid or
  - connect to the USB output of a PC / notebook
  - As soon as the operating voltage is applied, the LED on the charging cap ② lights up permanently blue
5. Note charge indicator :
  - If the control LED lights up on the lamp shaft ④ red, the battery is currently charging.
  - If the control LED lights up on the lamp shaft ④ green, charging is complete..
6. Remove charged flashlight from the charging station ②

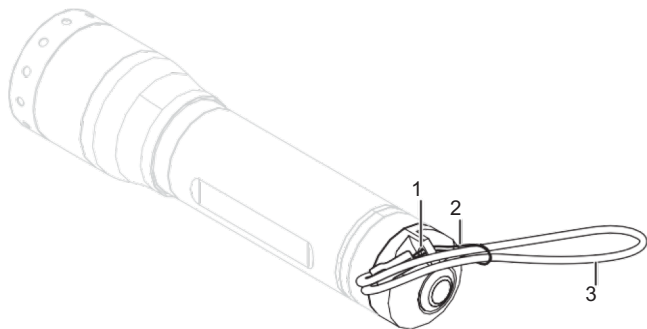


### 5.8 Attaching charging station to the wall bracket

1. Hold wall bracket ④ to wall ① and align.
2. Mark two holes on the wall.
3. Drill the two holes according to the dowel thickness.
4. Clean holes and insert dowels ②.
5. Align the wall bracket ④ to the holes and screw the two screws ⑤ through the wall bracket ④ into the dowels.
  - Do not tighten bolts ⑤ yet.
6. Align the wall bracket ④ straight and tightly screw the two screws ⑤.
7. Insert charging station ③ from above into opening ⑥ of wall bracket ④.
8. Align the lateral catches of the charging station ③ with the recesses of the opening ⑥ of the wall bracket ④ and push in the charging station ③.
  - Check that the charging station ③ is engaged..



## 5. Operation



### 5.9 Attaching the hand strap

1. Push the thin loop ② of the hand strap through the fastening opening ① of the end cap of the flashlight.
2. Push the thick loop ③ through the opening of the thin loop ②.
3. Pull on the thick loop ③ until the thin loop ② has closed around the fastening opening ①.

### 5.10 Automatic functions

#### 5.10.1 Temperature monitoring

The P7R is equipped with a temperature control (electronic control with temperature sensor). This prevents overheating of the flashlight during operation. This can lead to a reduction in brightness as soon as the function has been activated.

→ If necessary, switch off the lamp and let it cool down.

#### 5.10.2 Battery status warning

A low state of charge of the batteries is indicated by 3 quick flashes of the LED. After 10 minutes, the lamp will turn off automatically.

→ Charge Lamp / battery according to chapter 5.5.

### 5.11 Cleaning

When cleaning, the following should be noted :

- Only dry clean the flashlight and its accessories using a lint-free cloth.
- If the flashlight comes into contact with salt water, remove the salt water immediately and fully with a lint-free cloth.
- Do not use any chemical or solvent-based cleaners or disinfectants.

### ATTENTION

#### DAMAGE ON SURFACES

**Solvents can damage surfaces or decompose material!**

That's why:

- Do not use cleaning agents / disinfectants.
- Do not use scouring agents.
- Do not use gasoline, paint thinners or similar.

**ATTENTION**

**DISCLAIMER OF WARRANTIES**

**No warranty will be assumed for damage resulting from the use of inappropriate cleaning agents/disinfectants.**

**5.12 Test**

Every product is prone to wear over time. Annually, and prior to each use, check the safety and function of the flashlight as well as the batteries/battery packs.

**ATTENTION**

**REPLACE AND DISPOSE OF DAMAGED OR OLD BATTERIES**

**DO NOT USE DEFECTIVE FLASHLIGHT AND ACCESSORIES AND CONTACT SELLER / DISTRIBUTOR**

**5.13 Warranty**

Our products are subject to a strict quality control. If the lamp does not work properly, please contact the seller / dealer.

**ATTENTION**

**IMPROPER REPAIRS**

**The device may only be repaired by an authorized service company, otherwise the legal warranty expires.**

## 6. Technical Data

### P7R

Parameter	Value		
LED	1 x High End Power LED		
Length	166 mm		
Head diameter	37 mm		
Weight (without packaging)	210 g		
Batteries	1 x Lithium-Ion Battery ICR18650, 3,7V, 2200 mAh		
Energy tank***	8,1 Wh		
	<b>High Power</b>	<b>Power</b>	<b>Low Power</b>
Luminous flux*	1000 lm	250 lm	20 lm
Lighting range*	210 m	150 m	40 m
Lighting duration**	2 h	5 h	40 h
Water resistance	IPX4		

\* Luminous flux (lumens) or maximum beam range (meters) measured in the brightest setting (High Power) when switching on with a fully charged battery. These are average values, depending on the chip and battery in each case to

+/- 15% may differ.

\*\* Average lighting time from the lowest setting (low power) to a luminous flux of one lumen.

\*\*\* Calculated value of capacity in watt-hours (Wh). This applies to the batteries contained in the delivery condition of the respective item or fully charged battery.



