

6007-R - LED LENSER® SEO 7R
6107-R - LED LENSER® SEO 7R (Blister)



Operating instructions

Bedienungsanleitung

Instrucciones de uso

Mode d'emploi

Gebruiksaanwijzing

Istruzioni per l'uso

Käyttöohje

Bruksanvisning

Návod k použití

Návod na použitie

Használati útmutató

Navodila za uporabo

Руководство по эксплуатации

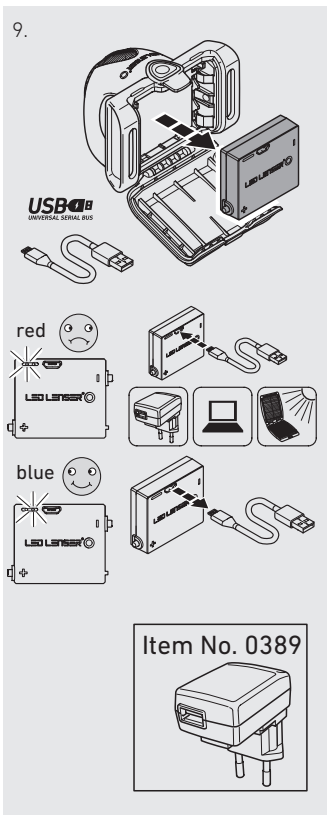
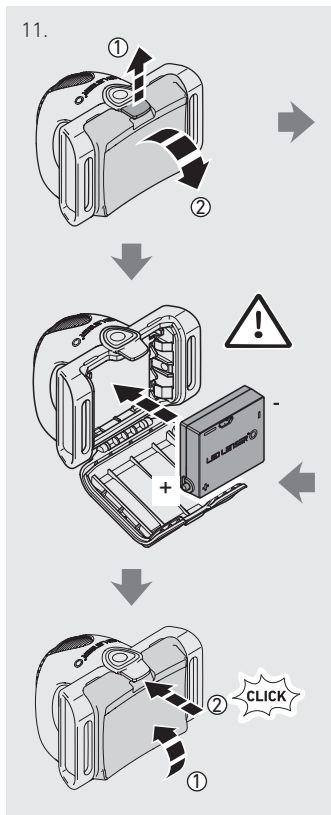
수동

取扱説明書

手冊

English 03-07
Deutsch 08-12
Español 13-17
Français 18-22
Nederlands 23-27
Italian 28-31
Suomi 32-35
Svenska 36-39

Čeština 40-43
Slovenčina 44-47
Magyar 48-51
Slovenščina 52-55
Русский 56-61
한국어 62-65
日本語 66-68
中文 69-71



We are delighted that you have purchased one of our products.

These are usage instructions to help you familiarise yourself with your new purchase. All the documents accompanying the product must be read attentively before using the product, preserved carefully and if the product is transferred to a third party, the documents must be handed over as well. This ensures that maximum benefit is drawn from the product and questions from users are anticipated before they arise.

Above all, comply with the warnings and safety instructions and dispose of the packaging material properly.

Additional information for SEO with TEST IT function

Your LED LENSER SEO 7R headlamp with the item no. 6107-R (item no. 6007-R: No TEST IT function) is packaged with a TEST IT function. This allows users to test the brightness while the product is still in the package. For testing, simply push the yellow TEST IT button on the front of the package. When testing, please do not look directly into the light.

The TEST IT button is connected to the battery housing of the SEO 7R via two wires and should be removed prior to use.

To remove the TEST IT button and wires, open the battery housing and remove the 3 x AAA batteries (see also "Changing of the Accumulator-Pack / NiMH-Accumulator / Alkaline batteries" further below). Separate the two TEST IT button wires from the battery housing by pulling on each wire until it releases from the battery housing. Insert the 3 x AAA batteries respectively accumulators noting the correct polarity. Close the battery housing. Please dispose and recycle the packaging and TEST IT button with the wires according to the local regulations.

Product

LED LENSER

6007-R LED LENSER® SEO 7R

6107-R LED LENSER® SEO 7R (Blister)

1. Battery set:

- 1 x Accumulator-Pack (scope of delivery of 6007-R and 6107-R) or
- 3 x Alkaline batteries AAA/LR03/Micro (1.5 V DC) (scope of delivery of 6107-R) or
- 3 x NiMH-Accumulator AAA/LR03/Micro (1.2 V DC) (not scope of delivery)

2. Switching on and off

In the upper part of the headlamp housing of the SEO 7R, between battery box and the part with the reflector lens, there is the switch button. This switch button is used to turn the SEO 7R on. It is also used to activate the various Light Programs and Lighting Functions (see section 5) and to switch between white light and red light (see Point 5). In addition, you can also activate the "Transport Lock" (see Point 7).

3. Focus

In the front, narrower region of the headlamp housing is the reflector lens through which the

light of the white LED (see Point 5.1) is focused. The reflector lens is held by a plastic ring. You can rotate that plastic ring using two fingers, and thus adjust the focus quickly and easily. This so-called Speed Focus allows to adjust the angle of the white light beam continuously. Depending on whether you want to illuminate an area in the distance or in front of you, you also can adjust the angle of light beam to the horizontal. For this you can simply tilt the part of the head lamp, which contains the reflector lens and the white LED. The screening allows using also intermediate positions.

4. Smart Light Technology (SLT)

The SEO 7R is equipped with our Smart Light Technology (SLT). Thanks to the use of a microcontroller, the light output of the LED can be controlled and the user can use various Light Programs and Light Functions. By using a single switch it was possible to design the interface to be simple and user-friendly. The SEO 7R can give the user light in different ways. There are thus two Energy Modes, two Light Programs and a number of Light Functions available. To switch the pocket torch on and off and to select the various Light Functions etc., the switch (see Point 2) has to be used.

What basically applies is that the brightness of the SEO 7R is monitored by the in-built temperature control unit.

5. Light Programs and Light Functions

In the SEO 7R are two LEDs (LED = Light Emitting Diode) installed.

The white LED is very strong, ideal for normal use, for example if the Speed Focus or the adjustment of the angle of light beam to the horizontal should be used. This very bright white light might be not good when your eyes have become accustomed through the so-called dark adaptation to low ambient light. Otherwise than with the use of the white light, it remains the current adjustment of the eye to low brightness obtained when the red light of the second LED is used. The focus and the angle of the light to the horizontal of the red LED, which is located laterally next to the reflector-lens, can not be adjusted.

In order to switch between the white and the red LED, when the SEO 7R is off, press and hold the switch button for 2 seconds. The head lamp will change from red to white or from white to red, and then release the switch button before the lights go out, because if you press too long the switch button you activate the "Transport Lock" (see section 7)! The points below deal with the Light Functions of the white LED (Light Program White / Point 5.1) and the red LED (Light Program "Red Night Vision" / Point 5.2).

5.1 Light Program White

If the Lighting Program White is enabled (see Point 5), you can use the white, focusable light of the head lamp. When the switch button is pressed, if the SEO 7R is off, the head lamp glows in the Light Function Power at full brightness. When you switch a second time within 2 seconds, the SEO

7R glows with lower brightness (Light Function Dim). If you at this second turn do not switch briefly but keep the switch button pressed you can change the brightness infinitely. For the time that the switch button is pressed, the brightness varies between full and reduced brightness. At both ends of the SEO 7R goes off shortly, and then again to be lighter or darker (a blinking signal happened at both ends). When you release the switch button you lock the current brightness. This brightness is retained for the Light Function Dim even if you turn the head lamp off.

After the Light Function Dim (altogether 3 times fast switching) comes the Light Function „Automatic Dim“. A sensor detects the brightness of the environment and can adjust the brightness of the SEO 7R. If this Light Function is activated, the brightness is reduced if you e.g. illuminate objects at close range. This reduces the risk of glare and makes working e.g. at a desk easier. But if you illuminate distant objects or the environment turns darker, the brightness of the head lamp is increased.

The last Light Function that can be used in the Light Program White is the Light Function Signal (slow even flashing). If the SEO 7R is off, you get to it by switching the switch button 4 times while you do not wait longer than 2 seconds between each switching.

Additional switching turns SEO 7R off and the circle starts again with the Light Function Power when you press the switch button again. So the Light Functions are in a loop. But please note that you turn off the head lamp by every switching if since the previous switching more than 2 seconds have elapsed. For example in case you let pass more than 2 seconds after you turned the Light Function „Automatic Dim“ on the next switching will not change to head lamp to Light Function Dim but will turn the SEO 7R off.

5.2 Light Program „Red Night Vision“

If the Lighting Program „Red Night Vision“ is enabled (see Point 5), you can use the red light of the head lamp.

When the switch button is pressed, when the SEO 7R is off, the head lamp glows in the Light Function Power at full brightness in red. When you switch a second time within 2 seconds, the SEO 7R blinks in the Light Function Signal (slow even flashing).

The Light Function Signal is the last Light Function that can be used in the Light Program „Red Night Vision“ so additional switching turns SEO 7R off and the circle starts again with the Light Function Power when you press the switch button again.

So the Light Functions are in a loop. But please note that you turn off the head lamp by every switching if since the previous switching more than 2 seconds have elapsed. For example in case you let pass more than 2 seconds after you turned the Light Function Power on the next switching will not change to head lamp to Light Function Signal but will turn the SEO 7R off.

6. Energy Modes

By selecting one of the two Energy Modes a decision on how the energy contained in the accumulator respectively in the batteries is used.

1. Energy Saving: The light output is controlled by the integrated Smart Light Technology (SLT). The brightness is matched to the real conditions that occur during normal use of the lamp, thus providing a longer burn time.

2. Constant Current: This Energy Mode allows the continuous use of all the Light Functions with a more or less constant light output. This Energy Mode is to be preferred when a high brightness level is more important than a long burn time.

Changing of the Energy Modes

For changing the Energy Modes, one of the Light Functions in the Light Program White has to be activated, e.g. Light Function Signal (SEO 7R flashes slowly and evenly). Then you switch the switch button and keep it pressed for approx. 2 seconds. The SEO 7R turns off and turns on after a short moment. Then the head lamp turns off suddenly or the brightness fades to zero.

In case the brightness reduces gradually to zero, the SEO 7R is in the Energy Mode Energy Saving. But if the brightness of the SEO 7R remains constant for a moment to then suddenly drop to zero, the head lamp is thereafter in the Energy Mode Constant Current.

With this procedure, you can switch between the two Energy Modes. It is not possible to determine in which Energy Mode the SEO 7R is. To find this out, you must carry out the procedure. If the SEO 7R is thereafter not in the desired Energy Mode any more, you must repeat the procedure again.

7. „Transport Lock“

Under Point 5 it has been described how to switch between the white and the red LED. This takes place when the SEO 7R is off and the switch button is pressed only for approx. 2 seconds. The head lamp will change from red to white or from white to red. But when the switch is pressed longer (approx. 5 seconds) until the light turns off you have enabled the „Transport Lock“. Then the SEO 7R can not be turned on again but the red LED flashes for a short moment to indicated that this function is activated in case the switch button is pressed. The SEO 7R therefore cannot be switched on, either intentionally or unintentionally and inadvertently consume energy. Only when you hold the switch button pressed for 5 seconds again this function („Transport Lock“) is deactivated again and the lamp is in the Light Program White.

8. Reset function

If the Accumulator-Pack, the alkaline batteries or NiMH-Accumulator are taken out the battery box you have "reset" the SEO 7R. You have thus reset a few functions:

- The „Transport Lock“ (see Point 7) is deactivated
- The Light Function Dim (see Point 5.1) is set to low brightness

- As Energy Mode Energy Saving is activated (see Point 6).
- The Light Program White (see Point 5.1) is activated

9. Charging

The SEO 7R indicates by the flashing of the red LED that it is running out of energy in near future. Please charge the Accumulator-pack in time. Charge the Accumulator-pack of your SEO 7R in a dry place and only by using the charger that is included in the delivery or by a USB port (see below).

The following information applies only to the included accessories. You cannot charge any other accumulators or batteries in the SEO 7R. In case NiMH-Accumulators (see Point 1) are used, they must be charged in approved external chargers.

In the scope of delivery of the SEO 7R there is a plug and a charger. In case both are not connected already please connect them so that the connection clicks.

The charger of SEO 7R has a USB port, which must be connected with the corresponding port at the supplied charging cable in order to charge Accumulator-pack. The other side of the charging cable (micro USB) must be connected to the Accumulator-pack which is scope of delivery. You will therefore have to open the battery box. The supplied Accumulator-pack has two charging ways, either it loaded in the battery box of SEO 7R or can be removed out of the battery box for charging. Only the supplied Accumulator-pack can be charged with the charger.

The last step is to connect the plug into a socket (Input: 100 V to 240 V / 50 Hz to 60 Hz). When charging is completed (after maximum 2 to 3 hours), unplug the charger from the socket again and the charging cable (micro-USB) of the Accumulator-pack. But it is no problem to go on loading the Accumulator-pack although it is already full.

Instead of connecting the charging cable to the USB port of the charger, you can also connect it to a different USB port (5 V / 900 mA) e.g. of a computer.

While using our optionally available car USB charger connection (Led Lenser Car Charger: Item no. 0380), the SEO 7R also can be charged at the cigarette lighter and sockets in vehicles. These accessory units match themselves automatically to the respective input voltage (12 V / 24 V). These alternatives are suitable to charge the Accumulator-pack in case a power outlet is not available.

Note – Please ensure that there is no short-circuit at the charging contacts. The charging contacts may not be touched with moist or metallic objects.

10. Charge indication

In case you are charging the Accumulator-Pack of the SEO 7R with the corresponding charger and charging cable respectively by a USB port (see Point 9) the status LED at it glows while charging in red and the light changes to green when the charging is completed.

11. Changing of the Accumulator-Pack / NiMH-Accumulator / Alkaline batteries

Prior to the change, please turn off the SEO 7R. On the wide side of the head lamp housing there is the cover of the battery box. Nearby the switch button there is a plastic lip. If this lip is carefully pressed with e.g. your thumb up a little, the battery box cover can be folded down by using the small notches that are left and right next to the switch button. You can now remove the Accumulator-Pack (Alkaline batteries / NiMH-Accumulators) and insert a new one.

Also NiMH-Accumulators and alkaline batteries can be inserted.

But then the charger cannot be used!

During insertion, it is always necessary that this is in the correct direction. Therefore, pay attention to the polarities (+ and -). Both in the battery box and also on the Accumulator-Pack / NiMH-Accumulators / alkaline batteries. Otherwise, the hypothetical risk that Accumulators / batteries are damaged and may explode.

The supplied Accumulator-Pack can only be recharged with the original charger or by a USB port (see Point 9)!

After replacing the cover of the battery box has to be closed again.

12. Headband

If the headband is not already connected to the lamp unit, proceed as follows.

Thread the end of headband with the narrow plastic part from the front through the eyelet on the left side of the head lamp housing. Note the orientation of the lettering on the headband. Run the headband then over the cover of the battery box to the eyelet on the other side of the battery box and run it through it to the front.

This end of the headband has got to be pulled through the hole beside the clipper at the plastic part on the other side of the headband.

This elongate hole has got 4 small bars through which the narrow plastic part has to be run from the side.

This allows that the complete end is pulled through this hole and both ends of the headband are connected to each other.

By using the eye of the clipper the SEO 7R can e.g. attached to an ear of a belt or a backpack for transportation.

The third plastic component at the headband can be used to adjust the length of the headband in order to fit different head circumferences.

13. Rechargeable batteries / Accumulators

Non rechargeable batteries or other accumulators that are not of the same type as the accumulator that is scope of delivery are not allowed to be charged by the charger. Never use non rechargeable batteries and accumulators together. Change always all nonrechargeable batteries and accumulators at the same time. Use in the SEO 7R only the Accumulator-Pack (scope of delivery), alkaline batteries AAA/LR03/Micro (1.5 V DC) or NiMH-Accumulator AAA/LR03/Micro (1.2 V DC).

(Energy Saving or Constant Current), you take If you intend not to use the item for an extended period, please take out the Accumulator-Pack respectively the NiMH-Accumulators / alkaline batteries in order to avoid damage.

Used batteries and accumulators have to be taken out the item and disposed of in keeping with the national laws.

In general, for the disposal of batteries as well as particularly for Lithium batteries, accumulators and accumulator packs, the applicable rule is that they may only be disposed of in discharged state and in a technically correct manner. Additionally before disposal it has to be ensured, by sticking non-conducting adhesive tape over the contacts that short-circuits are not possible.

Basically, the possibility of short-circuits of accumulators and batteries must be eliminated and they may neither be opened, nor enter the human body in any way, nor may they be thrown into a fire.

14. Cleaning

For cleaning, please use a dry, lint-free, clean cloth.

If salt water is spilled on the head lamp, it must be immediately entirely removed with such a cloth.

The headband can be washed in a washing machine at 30 °C.

15. Scope of delivery

The SEO 7R incl. headband is supplied with the following accessories:

- 1 x Charger plus plug
- 1 x Charging cable to connect charger and Accumulator-Pack
- 1 x Accumulator-Pack
- 1 x Operating manual

Additional accessories for the SEO 7R are being designed. You can get information on these additional accessories over and above the supplied kit on our Internet page.

16. Caution

Do not swallow any small parts or batteries/ accumulators that are present. The products or parts thereof (including batteries / accumulators) must be stored outside the reach of children.

For reasons of safety and approval (CE), the product must not be modified and/or changed.

The product is to be used exclusively as an accumulator or battery powered lamp. If the SEO 7R is used for any other purpose, or used incorrectly, it can get damaged and hazard-free use is not guaranteed any more (danger from fire, short-circuit, electric shock etc.).

There is then no liability for harm to persons or damage to property, and the warranty of the manufacturer is also rendered null and void. The temperature range in which the SEO 7R can be operated is -20 °C to +50 °C. Ensure that the SEO 7R is not subjected to more extreme temperatures, intense vibrations, explosive atmosphere, solvents and/or vapours.

Also continuously exposed to direct sunlight, high humidity and/or moisture have to be avoided. Changes, repairs and maintenance

over and above those described in the documents accompanying the product may only be carried out by authorised technical personnel.

Once it is found that the product is filled with full batteries / accumulators in correct orientation (polarity!) and correctly closed, but nonetheless a normal, safe operation is not possible or the product shows damage, it must be rendered inoperative and not used any further. In this case, for warranty matters, contact your dealer.

17. Safety instructions

- This product is not a children's toy.
- Since it has small parts that can be swallowed, it is not suitable for persons below 5 years.
- The article may not be used for examinations of the eyes (e.g. for the so-called pupil test).
- When using it, the accumulation of heat, e.g. by covering, must be avoided.
- If the product does not work correctly, the first thing that must be checked is whether this is due to discharged battery/ accumulators or because these are not inserted correctly.
- If using in traffic, please follow the respective legal regulations.

The hazard that poses the main threat in this product through optical radiation is the Blue-Light-Hazard (400 nm to 780 nm). Thermal hazard threshold values are clearly not reached.

The risk for the viewer depends on the use or on how the product is installed. However, there is no optical hazard as long as the aversion responses limit the time of exposure and as long as the information contained in this instruction manual is observed.

The aversion reactions are triggered by the exposure and they are to mean all natural reactions that protect the eye from hazards through optical radiation. This includes in particular conscious aversion reactions such as eye or head movement (e.g. turning away).

When using the product it is of particular importance to bear in mind that the aversion reactions of persons at whom the light is directed at may be weakened or completely suspended as a result of medication, drugs or illness.

Because of the blinding effect of the product, improper use may lead to reversible, i.e. temporary impairment of sight (physiological blinding) or afterimages, or it may trigger feeling unwell in the sense of feeling queasy and tired (physiological blinding). The intensity of the temporary feeling of being unwell or the time until it subsides depend primarily on the difference in brightness between the blinding-light source and the surrounding area. Photosensitive persons in particular ought to consult a medical consultant prior to using this product.

As a matter of principle the rule is that high-intensity light sources carry a high secondary hazard potential due to their blinding effect.

Just like looking into other bright light sources (e.g. headlights of a car), the temporary limited impairment of vision and afterimages may lead to irritation, inconveniences, impairments and even accidents, depending on the situation.

The information applies to the use of a single product. If more light-emitting products of the same type or of a different type are used together, the intensity of the optical radiation may increase.

Every longer viewing/eye-contact with the source of radiation of this product by the user or other persons, with and without other light-bundling instruments, is to be avoided as a matter of principle! Instead, the eyes are to be closed deliberately in such cases and the head ought to be turned away from the light beam.

In case of a commercial use or the product's use by public bodies, the user must be instructed as to all applicable laws and regulations that correspond to the individual case of usage.

Important rules of conduct:

- Do not aim the light beam directly into the eyes of a person.
- The user or any other person should not look directly into the light beam.
- In the event of optical radiation hitting the eye, the eyes must deliberately shut and the head is to be turned away from the beam.
- The instruction manual and this information must be stored safely and must be passed on together with the product.
- It is prohibited to look straight into the light that is being emitted by this product

Wir freuen uns, dass Sie sich für ein Produkt aus unserem Hause entschieden haben.

Um sich mit Ihrem neuen Produkt vertraut machen zu können, finden Sie hier eine Gebrauchsanleitung. Alle, dem Produkt beigelegten, Unterlagen sind vor der Benutzung des Produktes aufmerksam zu lesen, aufzubewahren und bei der Weitergabe des Produktes an Dritte auch auszuhändigen. Dies dient auch dazu, dass Sie den maximalen Nutzen aus dem Produkt ziehen und Anwenderfragen vorbeugen können.

Beachten Sie vor allem die Warn- und Sicherheitshinweise und entsorgen Sie das Verpackungsmaterial ordnungsgemäß.

Zusatzinformation für SEO mit TEST IT Funktion

Ihre LED LENSER SEO 7R Kopflampe mit der Artikelnummer 6107-R (Artikelnummer 6007-R: Keine TEST IT Funktion) sind in der Verpackung mit unserer sogenannten TEST IT Funktion ausgestattet. Diese Funktion erlaubt es die Helligkeit zu testen während sich die SEO 7R noch in der Verpackung befindet. Für den Test müssen Sie nur einfach den gelben TEST IT Knopf auf der Vorderseite der Verpackung drücken. Während des Tests schauen Sie bitte nicht direkt in das Licht. Über zwei Kabel ist der TEST IT Knopf mit dem Batteriegehäuse der SEO 7R verbunden, die vor der ersten Benutzung entfernt werden müssen.

Für das Entfernen des TEST IT Knopfes und der Kabel öffnen Sie das Batteriegehäuse und entnehmen Sie die 3 x AAA Batterien (sehen Sie hierzu auch den Abschnitt "Wechseln des Akku-Packs / NiMH-Akkus / Alkalinebatterien" weiter unten). Entfernen Sie dann die beiden Kabel des TEST IT Knopfes aus dem Batteriegehäuse indem Sie an jedem der beiden ziehen bis sie sich lösen. Legen Sie, unter Beachtung der richtigen Polarität, die 3 x AAA Batterien bzw. Akkumulatoren nun wieder in das Batteriegehäuse ein. Verschließen Sie das Batteriegehäuse wieder und entsorgen Sie die Verpackung und den TEST IT Knopf mit den Kabeln entsprechend der lokalen Gesetzgebung.

Artikel

6007-R, LED LENSER® SEO 7R
6107-R, LED LENSER® SEO 7R (Blister)

1. Batteriesatz:

- 1 x Akku-Pack (im Lieferumfang von 6007-R und 6107-R) oder
- 3 x Alkalinebatterien AAA/LR03/Micro (1,5 V DC) (im Lieferumfang von 6107-R) oder
- 3 x NiMH-Akkus AAA/LR03/Micro (1,2 V DC) (nicht im Lieferumfang)

2. Ein- und Ausschalten

Im oberen Bereich des Kopflampengehäuses der SEO 7R, zwischen Batteriebox und dem Teil mit der Reflektor-Linse, befindet sich der Schalterknopf, mit dem sich die SEO 7R einschalten lässt. Dieser Schalterknopf wird auch benutzt, um die verschiedenen Lichtprogramme und Lichtfunktionen (siehe Pkt. 5) auszuwählen und zwischen weißem Licht und rotem Licht zu wechseln (siehe Pkt. 5). Darüber hinaus kann

man mit ihm eine Transportsicherung („Transport Lock“) aktivieren (siehe Pkt. 7).

3. Fokus

Im vorderen, schmalen Bereich des Kopflampengehäuses befindet sich die Reflektorlinse, über die das Licht der weißen LED (siehe Pkt. 5.1) gebündelt wird. Die Reflektorlinse wird durch einen Kunststoffring gehalten. Sie können mit zwei Fingern an diesem Kunststoffring drehen und damit den Fokus sehr schnell und einfach verstellen. Dieser so genannte Speed Focus ermöglicht es, den Öffnungswinkel des weißen Lichtstrahls stufenlos zu verstellen.

Abhängig davon, ob Sie einen Bereich in der Ferne oder direkt vor sich beleuchten wollen, können Sie zusätzlich zum Öffnungswinkel auch den Winkel des Lichtstrahls zur Horizontalen verstellen. Dazu können Sie den Teil der Kopflampe, in dem sich die Reflektorlinse und die weiße LED befinden, einfach kippen. Durch die Rasterung sind auch Zwischenstellungen möglich.

4. Smart Light Technology (SLT)

Die SEO 7R ist mit unserer Smart Light Technology (SLT) ausgestattet. Durch die Verwendung eines Mikrocontrollers kann die Lichtstärke der LED gesteuert, und verschiedene Lichtprogramme und Lichtfunktionen vom Anwender genutzt werden. Durch die Verwendung eines Einzelschalters wurde eine einfache und anwenderfreundliche Schnittstelle ermöglicht. Die SEO 7R kann dem Nutzer Licht in unterschiedlichen Stärken und auf verschiedene Art und Weise bereitstellen. So stehen zwei Energy Modes, zwei Lichtprogramme und eine Vielzahl an Lichtfunktionen zur Verfügung. Um die Kopflampe an- und auszuschalten und die verschiedenen Lichtfunktionen etc. auszuwählen, wird der unter Punkt 2 beschriebene Schalter verwendet.

Grundsätzlich gilt, dass die Helligkeit der SEO 7R über die eingebaute Temperatur-Kontroll-Einheit überwacht wird.

5. Lichtprogramme und Lichtfunktionen

Im Modell SEO 7R sind zwei LEDs (LED = Licht Emittierende Diode) verbaut.

Die weiße, sehr starke LED, ist für den normalen Gebrauch bestimmt, wenn z.B. der Speed Focus oder die Winkelverstellung genutzt werden soll. Dieses sehr helle weiße Licht bietet sich unter Umständen nicht an, wenn sich Ihre Augen, durch die so genannte Dunkeladaptation an geringes Umgebungslicht gewöhnt haben. Anders als bei der Verwendung des weißen Lichts, bleibt die aktuelle Anpassung der Augen an geringe Helligkeiten erhalten, wenn das rote Licht der zweiten LED verwendet wird. Der Fokus und der Winkel des Lichtes der roten LED, die sich seitlich neben der Reflektor-Linse befindet, kann nicht verstellt werden.

Zwischen der weißen und der roten LED wechseln Sie, indem Sie den Schalterknopf, wenn die SEO 7R aus ist, ca. 2 Sekunden gedrückt halten. Die Kopflampe wechselt dann von rot nach weiß bzw. von weiß nach rot. Lassen Sie dann den Schalterknopf los bevor das Licht ausgeht, denn wenn Sie den Schalterknopf zu lange drücken, aktivieren Sie die Transportsicherung (siehe Pkt. 7)! Die nachfolgenden Punkte behandeln die Lichtfunktionen, die mit der weißen LED (Lichtprogramm White / Pkt. 5.1) und der roten

LED (Lichtprogramm „Red Night Vision“ / Pkt. 5.2) genutzt werden können.

5.1 Lichtprogramm White

Wenn das Lichtprogramm White aktiviert ist (siehe Pkt. 5), steht Ihnen das weiße, fokussierbare Licht der Kopflampe zur Verfügung.

Wird der Schalterknopf gedrückt, wenn die SEO 7R aus ist, leuchtet die Kopflampe in der Lichtfunktion Power mit voller Helligkeit. Wenn Sie ein zweites Mal innerhalb von ca. 2 Sekunden schalten, steht Ihnen Licht mit geringerer Helligkeit (Lichtfunktion Dim) zur Verfügung. Wenn Sie bei diesem zweiten Schalten nicht einfach nur Schalten, das heißt den Schalterknopf nicht nur einmal kurz drücken, sondern gedrückt halten, können Sie die Helligkeit stufenlos verändern. Für die Zeit, die der Schalterknopf gedrückt wird, verändert sich die Helligkeit zwischen voller und reduzierter Helligkeit. An den beiden Endpunkten geht die SEO 7R einmal kurz aus, um dann wieder heller bzw. dunkler zu werden. Sobald Sie den Schalterknopf loslassen, arretieren Sie die aktuelle Helligkeit. Diese Helligkeit bleibt für die Lichtfunktion Dim erhalten, auch wenn Sie die Kopflampe ausschalten.

Nach der Lichtfunktion Dim kommt, wenn Sie das insgesamt dritte Mal schnell geschaltet haben, die Lichtfunktion „Automatic Dim“. Ein Sensor registriert die Helligkeit der Umgebung und kann die Helligkeit der SEO 7R anpassen. Ist diese Lichtfunktion aktiv, wird z.B. die Helligkeit reduziert, wenn Sie im Nahbereich Gegenstände anleuchten. Hierdurch reduziert sich die Blendgefahr und das Arbeiten z.B. am Schreibtisch wird erleichtert. Wenn Sie aber entferntere Objekte anleuchten oder die Umgebung wird dunkler, wird die Helligkeit der Kopflampe erhöht. Zuletzt steht Ihnen im Lichtprogramm White die Lichtfunktion Signal (langsam gleichmäßiges Blinken) zur Verfügung. Wenn die SEO 7R aus ist, gelangen Sie zu der Lichtfunktion Signal, indem Sie insgesamt 4x Schalten, zwischen jedem Schalten aber jeweils nur ca. 2 Sekunden warten. Nach einem weiteren Schalten ist die SEO 7R aus und erneutes Schalten aktiviert wieder die Lichtfunktion Power. Somit ist die Reihenfolge der Lichtfunktionen revolvierend.

Bitte beachten Sie aber, dass Sie mit jedem Schalten die SEO 7R ausschalten, wenn seit dem vorherigen Schalten mehr als ca. 2 Sekunden verstrichen sind. Zum Beispiel folgt durch Schalten auf die Lichtfunktion „Automatic Dim“ nicht Signal, sondern Sie schalten die SEO 7R aus, wenn Sie mehr als 2 Sekunden verstreichen lassen.

5.2 Lichtprogramm „Red Night Vision“

Wenn das Lichtprogramm „Red Night Vision“ aktiviert ist (siehe Pkt. 5), steht Ihnen das rote Licht der Kopflampe zur Verfügung.

Wird der Schalterknopf gedrückt, wenn die SEO 7R aus ist, leuchtet die Kopflampe in der Lichtfunktion Power mit voller Helligkeit in rot. Wenn Sie ein weiteres Mal innerhalb von ca. 2 Sekunden schalten, steht Ihnen die Lichtfunktion Signal (langsam gleichmäßiges Blinken) in rot zur Verfügung.

Nach einem weiteren Schalten ist die SEO 7R aus und erneutes Schalten aktiviert wieder die Lichtfunktion Power in rot. Somit ist auch hier die Reihenfolge der Lichtfunktionen revolvierend.

Auch im Lichtprogramm „Red Night Vision“ schalten Sie die SEO 7R mit jeder Betätigung des Schalterknopfes aus, wenn seit dem vorherigen Schalten mehr als ca. 2 Sekunden verstrichen sind. Zum Beispiel folgt durch Schalten auf die Lichtfunktion Power nicht Signal sondern Sie schalten die SEO 7R aus, wenn Sie länger als 2 Sekunden verstreichen lassen.

6. Energy Modes

Durch die Wahl einer der beiden Energy Modes (Energy Saving oder Constant Current) entscheiden Sie darüber, wie die in dem Akkumulator bzw. den verwendeten Batterien enthaltene Energie genutzt wird.

1. Energy Saving: Durch die eingebaute Smart Light Technology (SLT) wird die Lichtstärke gesteuert. Die Helligkeit ist an reale Bedingungen, die bei einer normalen Verwendung der Lampe auftreten, angepasst und verfügt somit über eine längere Leuchtdauer.

2. Constant Current: Dieser Energy Mode erlaubt den kontinuierlichen Gebrauch aller Lichtfunktionen mit einer weithin konstanten Lichtstärke. Er bietet sich an, wenn hohe Helligkeit wichtiger ist als lange Leuchtdauer.

Wechsel der Energy Modes:

Zum Wechseln des Energy Modes muss im Lichtprogramm White die Lichtfunktion Signal aktiv sein. Die SEO 7R blinkt und der Schalterknopf muss dann ca. 2 Sekunden gedrückt werden. Die Kopflampe hört auf zu blinken und nach einem kurzen Augenblick geht sie wieder an, um dann schlagartig aus zu gehen oder langsam die Helligkeit auf Null zu reduzieren. Wenn sie schlagartig ausgeht, befindet sie sich danach im Energy Mode Constant Current. Wenn sie die Helligkeit langsam auf Null reduziert, ist der Energy Mode Energy Saving aktiviert.

Durch diese Prozedur wechseln Sie zwischen den beiden Energy Modes. Es lässt sich nicht abrufen in welchem Energy Mode sich die SEO 7R befindet. Um dieses herauszufinden, müssen Sie diese Prozedur durchführen. Sollte sich die SEO 7R danach nicht im gewünschten Energy Mode befinden, müssen Sie die Prozedur noch einmal wiederholen.

7. Transportsicherung / „Transport Lock“

Unter Pkt. 5 ist beschrieben, wie Sie zwischen der weißen und der roten LED wechseln. Dieses erfolgt, wenn Sie den Schalterknopf, wenn die SEO 7R aus ist, nur ca. 2 Sekunden gedrückt halten. Die Kopflampe wechselt dann von rot nach weiß bzw. von weiß nach rot. Wenn Sie den Schalter aber länger (ca. 5 Sekunden) gedrückt halten und zwar so lange, bis das Licht erlischt, haben Sie die Transportsicherung („Transport Lock“) aktiviert. Dann kann die SEO 7R nicht mehr eingeschaltet werden, sondern Sie quittiert jedes Schalterdrücken nur mit einem kurzen roten Blinken. Sie kann somit nicht mehr versehentlich eingeschaltet werden und ungewollt Energie verbrauchen. Erst wenn Sie den Schalterknopf wieder 5 Sekunden gedrückt halten, ist diese Funktion wieder deaktiviert und die Lampe befindet sich im Lichtprogramm White.

8. Reset Funktion

Wenn das verwendete Akku-Pack, die NiMH-Akkus oder Alkanlinebatterien entnommen werden, haben Sie die SEO 7R „resettet“. Sie haben also einige

Funktionen zurückgesetzt:

- Die Transportsicherung / „Transport Lock“ (siehe Pkt. 7) ist deaktiviert
- Die Lichtfunktion Dim leuchtet mit reduzierter Helligkeit (siehe Pkt 5.1)
- Als Energy Mode ist dann Energy Saving (siehe Pkt. 6) aktiv
- Das Lichtprogramm White (siehe Pkt. 5.1) ist aktiv

9. Aufladen

Die SEO 7R kündigt durch Blinken der roten LED an, dass sie bald leer ist. Bitte laden Sie das Akku-Pack rechtzeitig auf. Laden Sie den Akku-Pack Ihrer SEO 7R nur in trockenen Räumen und nur mit dem im Lieferumfang enthaltenen Ladegerät bzw. über einen USB-Anschluss (siehe unten).

Die folgenden Ausführungen gelten nur für das im Lieferumfang enthaltene Zubehör. Sie können keine anderen Akkus oder Batterien in der SEO 7R laden! Wenn Sie NiMH-Akkus (siehe Pkt. 1) verwenden, sind diese mit hierfür zugelassenen, externen Ladegeräten zu laden.

Im Lieferumfang Ihrer SEO 7R befinden sich ein Netzstecker und ein Ladegerät, die, falls diese noch nicht bereits verbunden sind, zusammengesteckt werden müssen, bis die Verbindung einrastet.

Das Ladegerät der SEO 7R hat einen USB-Anschluss, der zum Laden des Akku-Packs mit dem entsprechenden Anschluss des mitgelieferten Ladekabels verbunden werden muss. Die andere Seite des Ladekabels (Micro-USB) verbinden Sie mit dem Akku-Pack (im Lieferumfang). Sie müssen hierfür die Batteriebox der SEO 7R öffnen. Der Akku-Pack kann dann in der SEO 7R geladen werden oder zum Laden entnommen werden. Nur das im Lieferumfang enthaltene Akku-Pack kann mit dem Ladegerät geladen werden.

Als letzten Schritt verbinden Sie den am Ladegerät befindlichen Netzstecker mit einer Steckdose (Eingang: 100 V bis 240 V / 50 Hz bis 60 Hz). Wenn der Ladevorgang abgeschlossen (nach max. 2 bis 3 Stunden) ist, trennen Sie das Ladegerät wieder von der Steckdose und auch das Ladekabel (Micro-USB) von dem Akku-Pack. Es ist aber unproblematisch, das Akku-Pack weiter zu laden, auch wenn dieser bereits voll ist.

Statt das Ladekabel an den USB-Anschluss des Ladegeräts anzuschließen, können Sie es auch an einen anderen USB-Anschluss (5 V / 900 mA) z.B. von einem Computer anschließen.

Über unseren optional erhältlichen Auto-USB-Ladeanschluss (Led Lenser Car Charger: Art.-Nr. 0380) kann die SEO 7R auch an Zigarettenanzündern und Steckdosen in Fahrzeugen geladen werden. Dieses Zubehör passt sich automatisch der jeweiligen Eingangsspannung (12 V / 24 V) an. Diese Alternativen bieten sich zum Beispiel an, wenn keine Steckdose zur Verfügung steht.

Hinweis – Bitte stellen Sie sicher, dass es nicht zum Kurzschluss an den Ladekontakten kommen kann. Die Ladekontakte dürfen nicht mit feuchten oder metallischen Gegenständen berührt werden.

10. Ladeanzeige

Wenn Sie das Akku-Pack der SEO 7R mit dem zugehörigen Ladekabel und Ladegerät bzw. über einen USB-Anschluss (siehe Punkt 9) aufladen, leuchtet dessen Status-LED.

11. Wechseln des Akku-Packs / NiMH-Akkus / Alkalinebatterien

Vor dem Wechsel schalten Sie die SEO 7R bitte aus. Auf der breiten Seite des Lampengehäuses befindet sich die Abdeckung der Batteriebox. Auf Schalterhöhe befindet sich eine Kunststofflippe. Wenn diese vorsichtig z.B. mit dem Daumen ein wenig nach oben gedrückt wird, kann der Deckel der Batteriebox nach unten geklappt werden. Nutzen Sie hierfür die kleinen Kerben, die sich links und rechts neben dem Schalterknopf befinden. Sie können nun das Akku-Pack (bzw. die NiMH-Akkus / Alkalinebatterien) entnehmen und einen neuen einsetzen.

Es können auch NiMH-Akkus oder Alkalinebatterien eingelegt werden. **Dann ist aber auf keinen Fall das Ladegerät zu verwenden!**

Beim Einsetzen ist es immer erforderlich, dass dieses polrichtig erfolgt. Achten Sie deswegen auf die Polungen (+ und -), sowohl in der Batteriebox als auch auf dem Akkupack / den NiMH-Akkus / Alkalinebatterien. Andernfalls besteht eventuell die Gefahr, dass Akkus/Batterien beschädigt werden und vielleicht explodieren.

Das mitgelieferte Akku-Pack kann nur mit dem Original-Ladegerät bzw. über einen USB-Anschluss (siehe Pkt. 9) geladen werden!

Nach dem Wechsel ist das Batteriefach wieder zu schließen.

12. Kopfband

Wenn das Kopfband nicht bereits mit der Lampeneinheit verbunden ist, gehen Sie wie folgt vor. Fädeln Sie als erstes das Ende des Kopfbandes mit dem schmalen Plastikabschluss von vorne durch die Öse auf der linken Seite des Kopfampengehäuses. Beachten Sie hierbei die Orientierung des Schriftzuges auf dem Kopfband. Führen Sie das Band dann über die Abdeckung der Batteriebox zur Öse auf der anderen Seite der Batteriebox und führen Sie das Kopfband nach vorne durch. Dieses Ende des Kopfbandes ist als nächstes durch den mittigen, schmalen Spalt neben der Karabineröse zu führen. Hierfür ist der schmale Plastikabschluss durch die Öffnung in der Mitte, die durch die 4 kleinen Stege gebildet wird, mit der schmalen Seite zu führen. Dadurch lässt sich das komplette Ende durch die Öffnung neben der Karabineröse führen und beide Enden des Kopfbandes sind mit einander verbunden. Durch die Öse des Karabiners kann die SEO 7R zum Transport z.B. an einer Gürtelöse oder Rucksack befestigt werden.

Über das dritte Kunststoffteil am Kopfband lässt sich das Kopfband größenverstellen und so an verschiedene Kopfumfänge anpassen.

13. Akkus / Batterien

Nicht wiederaufladbare Batterien oder andere Akkus, als der mitgelieferte Akku-Pack-Typ, dürfen mit dem mitgelieferten Ladegerät nicht wieder aufgeladen werden. Verwenden Sie niemals Akkus und Batterien zusammen. Wechseln Sie immer alle Akkus bzw. Batterien auf einmal. Verwenden Sie in der SEO 7R ausschließlich das mitgelieferten Akku-Pack, Alkalinebatterien (AAA/LR03/Micro 1,5 V DC) oder NiMH-Akkus (AAA/LR03/Micro 1,2 V DC). Wenn Sie den Artikel längere Zeit nicht benutzen, entnehmen Sie bitte den Akku-Pack

bzw. NiMH-Akkus oder Alkanlinebatterien, um Schäden zu vermeiden.

Verbrauchte Batterien und Akkus sind zu entnehmen und als Sondermüll gemäß der nationalen Gesetzgebung zu entsorgen.

Allgemein gilt für die Entsorgung von Batterien sowie insbesondere von Lithiumbatterien, Akkus und Akkupacks, dass diese nur im entladenen Zustand und fachgerecht entsorgt werden dürfen. Zusätzlich muss vor der Entsorgung, z.B. durch das Überkleben der Kontakte durch nichtleitendes Klebeband, sichergestellt werden, dass es nicht zu Kurzschlüssen kommen kann.

Grundsätzlich gilt, dass Kurzschlüsse von Akkus und auch Batterien auszuschließen sind und diese weder geöffnet werden, noch in den Körper gelangen oder ins Feuer geworfen werden dürfen.

14. Reinigung

Zur Reinigung verwenden Sie bitte ein trockenes, fusselfreies, sauberes Tuch. Kommt die Lampe mit Salzwasser in Kontakt, so entfernen Sie das Salzwasser umgehend komplett mit einem solchen Tuch. Das Kopfband ist bei 30 °C waschmaschinenwaschbar.

15. Zubehör

Die SEO 7R inkl. Kopfband wird mit folgendem Zubehör ausgeliefert:

- 1 x Ladegerät plus Netzstecker
- 1 x Ladekabel für die Verbindung zwischen Ladegerät und Akku-Pack
- 1 x Akku-Pack
- 1 x Bedienungsanleitung

Weiteres Zubehör ist für die SEO 7R in Planung. Auf unserer Internetseite können Sie sich über dieses, über den Lieferumfang hinausgehende, Zubehör informieren.

16. Achtung

Enthaltene Kleinteile oder Batterien/Akkus nicht verschlucken. Diese Artikel oder Teile davon (inkl. Batterien / Akkus) sind außerhalb der Reichweite von Kindern aufzubewahren. Das Produkt darf aus Sicherheits- und Zulassungsgründen (CE) nicht umgebaut und/oder verändert werden. Der Artikel ist ausschließlich als batterie- bzw. akkubetriebene Lampe zu verwenden. Wird der Artikel zweckentfremdet oder unsachgemäß verwendet, kann er beschädigt werden, und ein gefahrloser Gebrauch (Gefahr durch Feuer, Kurzschluss, Stromschlag etc.) ist nicht mehr gewährleistet. Für Personen- und Sachschäden besteht dann keine Haftung mehr, und auch die Gewährleistung des Herstellers geht verloren. Der Temperaturbereich, in dem der Artikel betrieben werden kann, ist -20 °C bis +50 °C. Tragen Sie dafür Sorge, dass der Artikel nicht extremen Temperaturen, starken Erschütterungen, explosiven Atmosphären, Lösungsmitteln und/oder Dämpfen ausgesetzt wird. Auch dauerhaftes, direktes Sonnenlicht, hohe Feuchtigkeit und/oder Nässe sollten vermieden werden.

Änderungen, Reparaturen und Wartungen, die über die Hinweise in den dem Artikel beigelegten Dokumenten hinausgehen, dürfen nur von autorisiertem Fachpersonal durchgeführt werden.

Wenn sichergestellt ist, dass der Artikel mit vollen Batterien / Akkus poltrichtig bestückt und richtig verschlossen ist, aber dennoch ein normaler, sicherer Betrieb nicht möglich ist oder das Produkt Schäden aufweist, ist das Produkt außer Betrieb zu setzen und eine weitere Verwendung auszuschließen. Wenden Sie sich in diesem Fall im Rahmen der Gewährleistung bitte an Ihre Bezugsquelle.

17. Sicherheitshinweise

- Der Artikel ist kein Kinderspielzeug.
- Aufgrund verschluckbarer Kleinteile ist er nicht für Personen unter 5 Jahren geeignet.
- Der Artikel darf nicht für Untersuchungen der Augen (z.B. für den sogenannten Pupillentest) verwendet werden.
- Bei der Benutzung ist Wärmestau durch z.B. Abdecken zu vermeiden.
- Sollte der Artikel nicht funktionieren, sollte als erstes kontrolliert werden, dass diese Fehlfunktion nicht aufgrund eines leeren Akkumulatoren bzw. Akkus/Batterien oder darauf zurückzuführen ist, dass diese nicht (pol-) richtig eingesetzt wurden.
- Bei der Verwendung im Straßenverkehr beachten Sie bitte die jeweiligen gesetzlichen Bestimmungen.

Die am meisten einschränkende Gefährdung dieses Artikels durch optische Strahlung ist die Blaulichtgefährdung (400 nm bis 780 nm). Die Grenzwerte einer thermischen Gefährdung sind deutlich unterschritten.

Die Gefährdung für den Betrachter hängt von der Nutzung bzw. Installation des Artikels ab. Eine optische Gefährdung besteht aber nicht, solange Abwendungsreaktionen die Expositionsdauer begrenzen und die Hinweise in dieser Bedienungsanleitung beachtet werden. Die Abwendungsreaktionen werden durch die Exposition ausgelöst und hierunter werden alle natürlichen Reaktionen verstanden, die das Auge vor Gefährdungen durch optische Strahlung schützen. Insbesondere geht es dabei um bewusste Abwendungsreaktionen wie Augenbewegungen oder Kopfbewegungen (z.B. Abwenden).

Bei der Verwendung des Artikels muss hierbei besonders berücksichtigt werden, dass die Abwendungsreaktionen von angestrahlten Personen durch Medikamente, Drogen oder Krankheiten geschwächt oder außer Kraft gesetzt sein können. Durch nicht bestimmungsgemäßen Gebrauch kann es durch die Blendwirkung des Artikels zu reversiblen, d.h. zeitweisen, Beeinträchtigungen des Sehvermögens (physiologische Blendung) oder Nachbildern bzw. Auslösen einer Störepfindung wie Unbehagen und Ermüdung (psychologische Blendung) kommen. Grad und Abklingzeit der zeitweisen Störungen hängen wesentlich vom Helligkeitsunterschied zwischen Blend-Lichtquelle und Umgebung ab. Besonders photosensible Personen sollten vor der Verwendung des Artikels einen Facharzt konsultieren. Grundsätzlich gilt, dass intensive Lichtquellen durch ihre Blendwirkung ein hohes sekundäres Gefahrenpotenzial besitzen. Wie nach dem Blick in andere helle Lichtquellen (z.B. Autoscheinwerfer) auch, können temporär eingeschränktes

Sehvermögen und Nachbilder je nach Situation zu Irritationen, Belästigungen, Beeinträchtigungen oder sogar Unfällen führen.

Die Hinweise gelten für die Benutzung eines Artikels. Werden mehrere gleichartige oder verschiedene lichtemittierende Artikel zusammen verwendet, kann sich die Intensität der optischen Strahlung erhöhen.

Jede lange Betrachtung der Strahlungsquelle des Artikels durch den Anwender oder andere Personen, mit und ohne weitere lichtbündelnde Instrumente, ist grundsätzlich zu vermeiden! Stattdessen sind in solchen Fällen die Augen bewusst zu schließen, und der Kopf ist aus dem Lichtstrahl zu bewegen.

Bei gewerblicher Nutzung oder der Nutzung im Bereich der öffentlichen Hand ist der Benutzer, abhängig vom Einsatzfall, entsprechend aller anzuwendenden Gesetze und Vorschriften zu unterweisen.

Wichtige Verhaltensregeln:

- Den Lichtstrahl nicht direkt auf die Augen von Personen richten.
- Der Benutzer oder andere Personen sollten nicht selbst in den direkten Strahl blicken.
- Falls optische Strahlung ins Auge trifft, sind die Augen bewusst zu schließen, und der Kopf ist sofort aus dem Strahl zu bewegen.
- Die Gebrauchsanleitung und diese Hinweise sind aufzubewahren und bei Weitergabe des Artikels mitzugeben.
- Es ist verboten in das, durch den Artikel direkt abgestrahlte, Licht zu schauen.

Gracias por elegir uno de nuestros productos. Estas son instrucciones de uso para ayudarlo a familiarizarse con este artículo.

Todos los documentos que acompañan al producto deben ser leídos atentamente antes de usar el producto, guardados cuidadosamente y si el producto es transferido a un tercero, los documentos se deben entregar también. Esto asegura que se obtenga el máximo beneficio del producto y las preguntas de los usuarios son anticipadas antes que surjan. Sobre todo, cumpla con las advertencias e instrucciones de seguridad y deshágase del material de embalaje adecuadamente.

Información adicional para SEO con función TEST IT

Su linterna frontal SEO 7R LED LENSER con n° art. 6107-R se presenta con función TEST IT. Esto permite a los usuarios probar el brillo mientras el producto está aún en el embalaje. Para probarla, simplemente oprima el botón TEST IT amarillo situado en la parte frontal del embalaje. Cuando se pruebe, por favor no mire directamente a la luz.

(art.n° 6007-R sin función TEST IT se presenta en caja de regalo)

El botón TEST IT está conectado a la caja de la batería de la SEO 7R por dos cables y se debe quitar antes de usar.

Para quitar el botón TEST IT y los cables, abra la caja de la batería y retire las 3 baterías AAA (ver también „Cambio del pack-acumulador / acumulador NiMH / baterías alcalinas“ más abajo). Separe los dos cables del botón TEST IT de la caja de la batería tirando de cada cable hasta que se suelte de la caja de la batería. Inserte las 3 baterías AAA o acumuladores teniendo en cuenta la polaridad correcta. Cierre la caja de la batería. Por favor recicle el embalaje y el botón TEST IT con los cables de acuerdo con las normas locales.

Artículo

6007-R, LED LENSER® SEO 7R

6107-R, LED LENSER® SEO 7R (Blister)

1. Juego de Baterías:

- 1 x pack acumulador (suministrado con 6007-R y 6107-R) o se pueden utilizar también
- 3 x baterías alcalinas AAA/LR03/Micro (1.5V DC) (suministrado con 6107-R) o
- 3 x acumulador NiMH AAA/LR03/Micro (1.2V DC) (no incluidos)

2. Encendido y apagado

En la parte superior de la carcasa frontal de la SEO 7R, entre la caja de la batería y la parte con la lente reflectora, está el botón interruptor. Este botón interruptor se usa para encender la SEO 7R. También se usa para activar los varios Programas de Luz y funciones de iluminación (ver sección 5) y para cambiar entre luz blanca y luz roja (ver punto 5). Además, también se puede activar el “Bloqueo Transporte” (ver punto 7).

3. Enfoque

En el frente, la parte más estrecha de la carcasa frontal es la lente reflectora a través de la cual se enfoca la luz del LED blanco (ver punto 5.1). La lente reflectora está sujeta por un aro plástico.

Usted puede girar el aro plástico usando dos dedos, y así ajusta el foco rápida y fácilmente. Este llamado Speed Focus (enfoque rápido) permite ajustar el ángulo de la luz blanca continuamente. Dependiendo de si usted quiere iluminar un área distante o próxima a usted, también puede ajustar el ángulo del haz de luz a la horizontal. Para esto, puede simplemente inclinar la parte del frontal que contiene la lente reflectora y el LED blanco. Se puede usar posiciones intermedias.

4. Tecnología de Luz Inteligente (SLT)

La SEO 7R está equipada con nuestra Tecnología de Luz Inteligente (Smart Lighting Technology). Gracias al uso de un microcontrolador, la salida de luz del LED se puede controlar y el usuario puede utilizar varios Programas de Luz y Funciones de Luz. Usando un solo interruptor, fue posible diseñar la interfaz para que sea sencilla y amigable al usuario. La SEO 7R puede dar al usuario luz en diferentes formas. Hay dos Modos de Energía, dos Programas de Luz y un número de Funciones de Luz disponibles. Para encender y apagar la linterna y para seleccionar las varias Funciones de Luz etc., se tiene que usar el interruptor (ver Punto 2). Lo que básicamente se aplica es que el brillo de la SEO 7R es monitorizado por la unidad de control de temperatura incorporada.

5. Programas de Luz y Funciones de Luz

En la SEO 7R hay dos LEDs (LED=Diodo emisor de luz) instalados.

El LED blanco es muy fuerte, ideal para uso normal, por ejemplo se debe usar en el Enfoque Rápido o el ajuste del ángulo del haz de luz a la horizontal. Esta luz blanca muy brillante podría no ser buena cuando sus ojos se han acostumbrado mediante la llamada adaptación a la oscuridad en luz ambiental baja. Al contrario que con el uso de la luz blanca, permanece el ajuste actual del ojo al bajo brillo obtenido cuando se usa la luz roja del segundo LED. El enfoque y el ángulo de la luz a la horizontal del LED rojo, que está ubicado lateralmente próximo a la lente reflectora, no se pueden ajustar. Para cambiar entre los LED blanco y rojo, cuando la SEO 7R está apagada, presione y mantenga el botón interruptor por 2 segundos. La linterna cambiará de rojo a blanco o de blanco a rojo, y luego suelte el botón antes de que las luces se apaguen, porque si presiona demasiado tiempo el interruptor puede activarse el “Bloqueo Transporte” (ver sección 7)!

Los puntos siguientes se refieren a las Funciones de Luz del LED blanco (Programa de Luz Blanco/punto 5.1) y del LED rojo (Programa de Luz “Visión Nocturna Rojo”/punto 5.2).

5.1 Programa de Luz Blanca

Si se habilita el Programa de Luz Blanca (ver punto 5) usted puede usar la luz blanca enfocable de la linterna frontal. Cuando se aprieta el interruptor mientras la SEO 7R está apagada, el frontal luce en la Función de Luz Potencia con brillo total. Pulsando otra vez la linterna dentro de 2 segundos, la SEO 7R luce con brillo más bajo (Función de Luz Regulación). Cuando se pulsa la segunda vez dentro de 2 segundos pero mantiene el pulsador presionado, usted puede cambiar el brillo infinitamente. Por el tiempo que el interruptor está presionado, el brillo varía

entre luminosidad total y reducida. La SEO 7R se extingue (parpadea) por un breve momento tan pronto como alcanza el brillo más alto o el más bajo. En ambos extremos la SEO 7R se apaga brevemente, y luego otra vez vuelve a estar más claro o más oscuro (una señal de parpadeo se produce en ambos extremos). Cuando usted suelta el interruptor se bloquea el brillo de ese momento. Este brillo es guardado por la Función de Luz Regulación aunque usted apague la linterna. Después de la Función de Luz Regulación (en total 3 veces de cambio rápido) viene la Función de Luz "Regulación Automática". Un sensor detecta la luminosidad del ambiente y puede ajustar el brillo de la SEO 7R. Si esta Función de luz es activada, el brillo se reduce si usted, p.ej. ilumina objetos próximos. Esto reduce el riesgo de deslumbramiento y hace que el trabajo p.ej. en un escritorio, sea más fácil. Pero si usted ilumina objetos distantes o el ambiente se oscurece, el brillo de la linterna frontal aumenta.

La última Función de luz que se puede usar en el Programa de Luz Blanca es la Función Señal (destellos suaves lentos). Si la SEO 7R está apagada, usted lo consigue pulsando el interruptor 4 veces mientras no espera más de 2 segundos entre cada pulsación.

Pulsando una vez más la SEO 7R se apaga y el círculo empieza de nuevo con la Función de Luz Potencia cuando se presiona el interruptor nuevamente.

Así, las Funciones de Luz van en círculo. Pero por favor tome nota que usted apaga la linterna frontal por cada pulsación si desde la anterior pasan más de 2 segundos. Por ejemplo en caso de que usted deje pasar más de 2 segundos después de poner la Función de Luz Regulación Automática en la próxima pulsación no cambiará a la Función de Luz Señal sino que la SEO 7R se apagará.

5.2 Programa de Luz "Visión Nocturna Rojo"

Si se habilita el Programa de Luz Roja de Visión Nocturna (ver punto 5) usted puede usar la luz roja de la linterna frontal. Cuando se aprieta el interruptor mientras la SEO 7R está apagada, el frontal luce en la Función de Luz Potencia con brillo total en rojo. Pulsando una segunda vez dentro de 2 segundos, al SEO 7R parpadea en la Función de Luz Señal (destellos suaves lentos). La Función de Luz Señal es la última Función de Luz que puede usarse en el Programa de Luz "Visión Nocturna Rojo" así que una pulsación adicional apaga la SEO 7R y el círculo empieza otra vez con la Función de Luz Potencia cuando se presiona el interruptor nuevamente.

Así, las Funciones de Luz van en círculo. Pero por favor tome nota que usted apaga la linterna frontal por cada pulsación si desde la anterior pasan más de 2 segundos. Por ejemplo en caso de que usted deje pasar más de 2 segundos después de poner la Función de Luz Potencia en la próxima pulsación no cambiará a la Función de Luz Señal sino que la SEO 7R se apagará.

6. Modos de Energía

Seleccionando uno de los dos Modos de Energía (Ahorro de Energía o Corriente Constante), usted decide cómo se usa la energía contenida en el acumulador o respectivamente en las baterías.

1. Ahorro de Energía: la salida de luz es controlada por la Tecnología de Luz Inteligente (SLT) integrada. El brillo se iguala a las

condiciones reales que ocurren durante el uso normal de la linterna, proporcionando un tiempo de consumo más largo.

2. Corriente Constante: este Modo de energía permite el uso continuo de todas las Funciones de Luz con una salida de luz más o menos constante. Este Modo de energía debe preferirse cuando un alto nivel de luminosidad es más importante que un largo tiempo de consumo.

Cambio de los Modos de Energía

Para cambiar los Modos de Energía, una de las Funciones de Luz en el Programa de Luz Blanca tiene que estar activada, p.ej. la Función de Luz Señal (SEO 7R destella lenta y uniformemente). Entonces usted pulsa el interruptor y lo mantiene presionado por aprox. 2 segundos. La SEO 7R se apaga y enciende después de un breve momento. Entonces la linterna frontal se apaga de pronto o la luminosidad se desvanece a cero.

En caso que la luminosidad se reduzca gradualmente a cero, la SEO 7R está en el Modo de Energía Ahorro de Energía. Pero si el brillo de la SEO 7R queda constante por un momento para luego caer de pronto a cero, la frontal está a partir de entonces en el Modo de Energía Corriente Constante.

Con este procedimiento, usted puede cambiar entre los dos Modos de energía. No es posible determinar en qué Modo de Energía está la SEO 7R. Para descubrirlo, usted debe llevar a cabo el procedimiento. Si la SEO 7R ya no está en el Modo de Energía deseado, usted debe repetir el procedimiento otra vez.

7. "Bloqueo Transporte"

En el punto 5 se ha descrito cómo cambiar entre el LED blanco y el rojo. Esto sucede cuando la SEO 7R está apagada y el interruptor se presiona solo por aprox. 2 segundos. La linterna cambiará de rojo a blanco o de blanco a rojo. Pero cuando el interruptor se presiona por más tiempo (aprox. 5 segundos) hasta que la luz se apaga usted ha habilitado el "Bloqueo Transporte". Entonces la SEO 7R no se puede encender nuevamente pero el LED rojo destella por un momento para indicar que esta función está activada en caso que se presione el interruptor. La SEO 7R por tanto no se puede encender, ya sea intencionadamente o sin querer y consumir energía inadvertidamente.

Solo cuando usted sostiene el interruptor presionado por 5 segundos otra vez esta función ("Bloqueo Transporte") es desactivada nuevamente y la linterna está en el Programa de Luz Blanca.

8. Función reset

Si el pack acumulador, las baterías alcalinas o acumulador NiMH se extraen de la caja de baterías usted ha "reseteado" la SEO 7R.

Así, ha reseteado unas pocas funciones:

- El "Bloqueo Transporte" (ver punto 7) está desactivado.
- La Función de Luz Regulación (ver punto 5.1) se pone en bajo brillo
- El Modo Ahorro de Energía (ver punto 6) está activado
- El Programa de Luz Blanca (ver punto 5.1) está activado.

9. Carga

La SEO 7R indica por destellos del LED rojo que se está quedando sin energía. Por favor cambie el pack acumulador a tiempo.

Cargue el pack acumulador de su SEO 7R en un lugar seco y usando solamente el cargador que se incluye en la entrega o un puerto USB (ver abajo). La siguiente información se aplica solamente a los accesorios incluidos. Usted no puede cargar otros acumuladores o baterías en la SEO 7R.

En caso de usar acumuladores NiMH (ver punto 1), deben ser cargados en cargadores externos homologados.

En el suministro de la SEO 7R hay una clavija y un cargador. En caso que ambos no estén ya conectados por favor conéctelos de modo que la conexión haga clic.

El cargador de la SEO 7R tiene un puerto USB, el cual debe estar conectado con el correspondiente puerto en el cable de carga suministrado a fin de cargar el pack acumulador. El otro lado del cable de carga (micro USB) debe estar conectado al pack acumulador incluido en la entrega. Por lo tanto usted tendrá que abrir la caja de baterías. El pack acumulador suministrado tiene dos formas de carga, bien cargado en la caja de batería de la SEO 7R o se puede quitar de la caja de batería para cargar. Solo este pack acumulador se puede cargar con el cargador.

El último paso es conectar la clavija en un enchufe (entrada: 100V a 240V / 50Hz a 60Hz). Cuando la carga está completa (después de 2 a 3 horas máximo), desenchufe el cargador nuevamente y el cable de carga (micro USB) del pack acumulador. Pero no es problema seguir cargando el pack acumulador aunque ya esté lleno.

En lugar de conectar el cable de carga al puerto USB del cargador, usted también puede conectarlo a un puerto USB diferente (5V / 900mA) p.ej. de un ordenador.

Mientras se usa la conexión de nuestro opcionalmente disponible cargador USB para coche (cargador para coche LED LENSER: art. N° 0380), la SEO 7R también se puede cargar en el mechero y enchufes en vehículos. Estos accesorios combinan entre sí automáticamente a la respectiva tensión de entrada (12V / 24V). Estas alternativas son adecuadas para cargar el pack acumulador en caso que no haya una salida de potencia disponible.

Nota – por favor asegúrese que no haya cortocircuito en los contactos de carga. Los contactos de carga no se pueden tocar con objetos húmedos o metálicos.

10. Indicación de Carga

En caso que usted esté cargando el pack acumulador de la SEO 7R con el correspondiente cargador y cable de carga respectivamente por un puerto USB (ver punto 9) el LED indicador luce en rojo mientras carga y cambia a verde cuando la carga está completa.

11. Cambio del pack acumulador / acumulador NiMH / baterías alcalinas

Antes del cambio, por favor apague la SEO 7R. Sobre el lado ancho de la carcasa de la linterna frontal está la cubierta de la caja de baterías. Junto al botón interruptor hay un borde plástico.

Si este borde se presiona cuidadosamente con p.ej. su pulgar durante un momento, la cubierta de la caja de batería se puede abatir usando las pequeñas muescas que están a izquierda y derecha del interruptor.

Entonces se puede quitar el pack acumulador (baterías alcalinas / acumuladores NiMH) e insertar uno nuevo.

También se pueden insertar acumuladores NiMH y baterías alcalinas.

Pero entonces el cargador no se puede usar!

Durante la inserción, siempre es necesario que esté en la dirección correcta. Por tanto, preste atención a las polaridades (+ y -). Ambas en la caja de baterías y también sobre el pack acumulador. De lo contrario, el hipotético riesgo es que los acumuladores / baterías resulten dañados y puedan explotar.

El pack acumulador suministrado solo puede ser recargado con el cargador original o por un puerto USB (ver punto 9)!

Después de hacer el cambio la cubierta de la caja de las baterías tiene que cerrarse de nuevo.

12. Cinta

Si la cinta no está ya conectada a la linterna, proceda como sigue:

Ensarte el extremo de la cinta con la delgada pieza de plástico desde el frente a través del ojal situado sobre el lado izquierdo de la carcasa de la linterna frontal. Tenga en cuenta la orientación de las letras sobre la cinta. Corra la cinta sobre la cubierta de la caja de baterías hasta el ojal sobre el otro lado de la caja de baterías y córrala a través de él hasta el frente.

Este extremo de la cinta tiene que pasar a través del agujero que está junto al cliper en la parte plástica al otro lado de la cinta. Este agujero alargado tiene 4 pequeñas barras a través de las cuales tiene que correr la delgada parte plástica desde el lado.

Esto permite que todo el extremo pase a través de este agujero y ambos extremos de la cinta se conecten entre sí.

Usando el ojo del cliper la SEO 7R puede p.ej. enganchar a una trabilla de un cinturón o a una mochila para transporte.

El tercer componente plástico de la cinta se puede usar para ajustar la longitud de la cinta a fin de adaptarla a distintas circunferencias de cabezas.

13. Baterías recargables / acumuladores

Las baterías no recargables u otros acumuladores que no son del mismo tipo que el acumulador incluido en el suministro no se permite cargarlos por el cargador. Nunca use baterías no recargables y acumuladores juntos. Cambie siempre todas las baterías no recargables y acumuladores al mismo tiempo. En la SEO 7R use solamente el pack acumulador (incluido en la entrega), baterías alcalinas AAA/LR03/Micro (1.5V DC) o acumuladores NiMH AAA/LR03/Micro (1.2V DC). Si no tiene intención de usar el artículo por un período prolongado, por favor extraiga el pack acumulador o respectivamente acumuladores NiMH / baterías alcalinas para evitar daños. Las baterías y acumuladores usados tienen que ser retirados del artículo y deshacerse de ellos de acuerdo con las leyes nacionales.

En general, para deshacerse de las baterías así como particularmente para baterías de litio, acumuladores y packs acumuladores, la norma a aplicar es que solamente se pueden desechar en estado descargado y en forma técnicamente correcta. Adicionalmente, antes de eliminarlos hay que asegurarse que no es posible un corto circuito pegando cinta adhesiva no conductora sobre los contactos. Básicamente, la posibilidad de cortocircuitos de acumuladores y baterías se debe eliminar y ellos no pueden ser abiertos ni entrar en el cuerpo humano de ninguna manera ni se pueden tirar al fuego.

14. Limpieza

Para la limpieza por favor use un paño limpio y seco, sin pelusa.

Si la linterna es salpicada por agua salada, ésta debe ser retirada inmediatamente y totalmente con un paño.

La cinta puede lavarse en lavadora a 30°C.

15. Alcance del suministro

La SEO 7R incl. cinta se entrega con los siguientes accesorios:

1 x cargador más clavija

1 x cable cargador para conectar el cargador y el pack acumulador

1 x pack acumulador

1 x manual de instrucciones

Se están diseñando otros accesorios para la SEO 7R. Puede obtener información sobre estos accesorios adicionales además del kit suministrado en nuestra página de internet.

16. Advertencia:

No trague ninguna pequeña parte o baterías.

Los productos o partes de los mismos (incluidos baterías / acumuladores) se deben almacenar fuera del alcance de los niños.

Por razones de seguridad y homologación (CE), el producto no debe ser modificado y/o cambiado. El producto es para ser usado exclusivamente como linterna alimentada por acumulador o batería. Si la SEO 7R es usada para cualquier otro fin, o usada incorrectamente, se puede dañar y el uso sin peligro ya no se garantiza (daño por fuego, corto circuito, shock eléctrico, etc.). Entonces no hay responsabilidad por daño a personas o a la propiedad, y la garantía del fabricante también quedará invalidada.

La gama de temperatura en la que puede funcionar la SEO 7R es -20°C a +50°C. Asegúrese de que la SEO 7R no está sujeta a temperaturas más extremas, vibraciones intensas, atmósfera explosiva, solventes y/o vapores.

También se tiene que evitar la exposición continua a luz solar directa y alta humedad.

Cambios, reparaciones y mantenimiento además de los descritos en los documentos que acompañan al producto solo pueden ser realizados por personal técnico autorizado.

Si a pesar de que el producto está con las baterías / acumuladores con carga completa en orientación correcta (polaridad!) y correctamente cerrado, no funciona normalmente y con seguridad o muestra daños, debe ser considerado inoperante y no usarse más. En este caso, para temas de garantía, contacte con su distribuidor.

17. Instrucciones de Seguridad

- Este producto no es un juguete para niños
- Como tiene partes pequeñas que pueden ser tragadas, no es adecuado para personas menores de 5 años
- El artículo no puede ser usado para examinar la vista (p.ej. pruebas de pupila)
- Cuando se use, debe evitarse la acumulación de calor, p.ej. cubriéndolo
- Si el producto no funciona correctamente, lo primero que debe comprobarse es si esto es debido a batería / acumuladores descargados o a que no están insertados correctamente.
- Si se usa en tráfico, por favor siga la normas legales

El peligro que representa la principal amenaza en este producto a través de la radiación óptica es el peligro de luz azul (400nm a 780nm). Valores de umbral de riesgo térmico claramente no se alcanzan.

El riesgo para el observador depende del uso o de cómo se instala el producto. No obstante, no hay peligro óptico en tanto las respuestas de aversión limiten el tiempo de exposición y en tanto la información contenida en estas instrucciones sean observadas.

Las reacciones de aversión son provocadas por la exposición y deben significar todas las reacciones naturales que protegen al ojo de peligros a través de radiación óptica. Esto incluye en particular reacciones de aversión conscientes tales como movimiento del ojo o la cabeza (p.ej. girar hacia otro lado).

Cuando se usa el producto es de particular importancia tener en cuenta que las reacciones de aversión de personas a quienes se dirige la luz pueden ser debilitadas o completamente suspendidas como resultado de medicación, drogas o enfermedad.

Debido al efecto cegador del producto, el uso incorrecto puede conducir a problemas visuales reversibles, esto es temporales (ceguera psicológica) o persistencia de las imágenes, o puede provocar sentimiento de incomodidad, como mareo o cansancio. La intensidad de este sentimiento de incomodidad temporal o el tiempo hasta que se calme depende fundamentalmente de la diferencia en brillo entre la fuente de luz cegadora y el área alrededor. Las personas fotosensibles en particular debieran consultar al médico antes de usar este producto. Como cuestión de principio, la regla es que las fuentes de luz de alta intensidad tienen un alto potencial de riesgo secundario, debido a su efecto cegador. Como cuando se mira otras fuentes de luz brillantes (p.ej. los faros de un coche), los problemas de visión limitados temporalmente y la persistencia de imágenes pueden conducir a irritación, inconvenientes, molestias y aun accidentes, dependiendo de la situación.

La información se aplica al uso de un solo producto. Si más productos emisores de luz del mismo o diferente tipo son usados juntos, la intensidad de la radiación óptica puede incrementarse.

Todo contacto prolongado del ojo/visión con la fuente de radiación de este producto por el usuario u otras personas, con y sin otros instrumentos concentradores de luz, debe ser evitado como cuestión de principio! En cambio, los ojos deben cerrarse deliberadamente en tales casos y la cabeza debiera girarse fuera del haz de luz.

En caso de uso comercial o uso del producto por cuerpos públicos, el usuario debe ser instruido en cuanto a todas las leyes y normas aplicables que correspondan al caso individual de uso.

Importantes reglas de conducta:

- No dirija el haz de luz directamente a los ojos de una persona.
- El usuario o cualquier otra persona no debe mirar directamente al haz de luz.
- En caso de radiación óptica dando en los ojos, estos deben cerrarse deliberadamente y la cabeza debe girarse fuera del haz de luz.
- El manual de instrucciones y esta información debe guardarse cuidadosamente y debe pasarse junto con el producto.
- Está prohibido mirar directamente en la luz que emite este producto.

Nous vous remercions d'avoir choisi un produit de notre société. Le présent mode d'emploi va vous familiariser avec votre nouveau produit. Avant d'utiliser ce produit, lisez attentivement les documents joints, conservez-les et remettez-les aux personnes tierces qui se verraient transmettre ce produit. Ainsi, vous pourrez également profiter au maximum de ce produit et prévenir toute question d'utilisateur. Respectez les indications d'avertissement et de sécurité, en particulier, et éliminez les matériaux d'emballage de manière conforme.

Information supplémentaire pour SEO avec fonction TEST IT

Votre lampe frontale LED LENSER SEO 7R correspondant au numéro d'article 6107-R (n° d'art. 6007-R : sans fonction TEST IT) est équipée, dans l'emballage, de notre fameuse fonction TEST IT. Cette fonction permet de tester la luminosité de la SEO 7R alors que celle-ci est encore emballée. Pour le test, appuyez simplement sur le bouton TEST IT jaune situé à l'avant de l'emballage. Pendant le test, veuillez ne pas regarder directement le faisceau.

Le bouton TEST IT est relié au boîtier à piles de la SEO 7R via deux câbles qui doivent être retirés avant la première utilisation. Pour retirer le bouton TEST IT et les câbles, ouvrez le boîtier à piles et retirez les 3 piles AAA (voyez aussi le paragraphe "Changement du bloc-piles / de l'accumulateur NiMH / des piles alcalines" un peu plus en dessous). Retirez les deux câbles du bouton TEST IT du boîtier à piles en tirant sur chacun d'entre eux jusqu'à ce qu'ils se détachent. En veillant à la bonne polarité, remettez les 3 piles AAA et/ou les accumulateurs dans le boîtier à piles. Refermez le boîtier à piles, puis jetez l'emballage, le bouton TEST IT et les câbles en fonction de la législation locale.

Article

6007-R, LED LENSER® SEO 7R

6107-R, LED LENSER® SEO 7R (Blister)

1. Jeu de piles :

- 1 x bloc-piles (fourni avec 6007-R et 6107-R) ou
- 3 x piles alcalines AAA/LR03/micro (1,5 V DC) (fournies avec 6107-R) ou
- 3 x accumulateurs NiMH AAA/LR03/micro (1,2 V DC) (non fournis)

2. Marche/Arrêt

Le bouton de commande permettant d'allumer la SEO 7R se trouve dans la partie supérieure du boîtier de la lampe frontale de la SEO 7R, entre le compartiment des piles et la partie comportant la lentille de réflexion. Ce bouton de commande sert également à sélectionner les différents programmes et fonctions d'éclairage (cf. point 5) et à passer d'un éclairage blanc à un éclairage rouge et vice-versa (cf. point 5). Par ailleurs, il permet aussi d'activer une sécurité de transport ("Transport Lock") (cf. point 7).

3. Focalisation

La lentille de réflexion permettant de focaliser

la lumière de la LED blanche (cf. point 5.1) se trouve dans la partie avant, plus mince, du boîtier de la lampe frontale. La lentille de réflexion est maintenue par une bague en plastique. À l'aide de deux doigts, vous pouvez faire pivoter cette bague en plastique et régler ainsi la focalisation de manière très facile et rapide. Ce "Speed Focus" permet de régler l'angle d'ouverture du faisceau lumineux blanc en continu.

En plus de l'angle d'ouverture, vous pouvez régler l'angle du faisceau lumineux sur l'horizontale en fonction de la zone que vous souhaitez éclairer : une zone distancée ou située juste devant vous. Pour cela, vous pouvez faire basculer la partie de la lampe frontale où se trouvent la lentille de réflexion et la LED blanche. Des positions intermédiaires sont également possibles grâce à la trame.

4. Smart Light Technology (SLT) (Technologie d'éclairage Smart)

Le modèle SEO 7R est équipé de notre technologie Smart Light (SLT). L'utilisation d'un microcontrôleur permet à l'utilisateur de régler l'intensité lumineuse de la LED et d'exploiter des programmes et des fonctions d'éclairage divers. L'emploi d'un seul interrupteur assure une interface simple et adaptée à l'utilisateur. La SEO 7R peut mettre diverses intensités d'éclairage à la disposition de l'utilisateur, de différentes façons. De cette manière, deux Energy Modes (modes de gestion de l'énergie), deux programmes d'éclairage et un grand nombre de fonctions d'éclairage sont à disposition. Pour allumer ou éteindre la lampe frontale et sélectionner les diverses fonctions d'éclairage, utilisez l'interrupteur décrit au point 2.

En principe, la luminosité de la SEO 7R est contrôlée via l'unité de contrôle de température intégrée.

5. Programmes et fonctions d'éclairage

Dans le modèle SEO 7R, deux LED (LED = abréviation anglaise de DEL, Diode Électro Luminescente) sont intégrées.

La LED blanche, très puissante, est conçue pour un emploi normal, par ex. si le Speed Focus ou le réglage de l'angle doit être utilisé. Selon les circonstances, cette lumière blanche très claire ne convient pas si vos yeux se sont habitués à une lumière ambiante faible en raison du phénomène d'adaptation à l'obscurité. À la différence de la lumière blanche, l'adaptation effective des yeux à de faibles luminosités est maintenue lorsque la lumière rouge de la seconde LED est utilisée. La focalisation et l'angle du faisceau de la LED rouge, qui se trouve sur le côté, à proximité de la lentille de réflexion, ne peuvent pas être réglés.

Pour basculer entre la LED blanche et la LED rouge, éteignez la SEO 7R, puis maintenez le bouton de commande appuyé pendant env. 2 secondes. La lampe frontale passe alors du rouge au blanc ou du blanc au rouge. Relâchez ensuite le bouton de commande avant que la lumière ne s'éteigne car si vous appuyez trop longtemps sur le bouton de commande, vous activez la sécurité de transport (cf. point 7) ! Les points suivants traitent les fonctions

d'éclairage pouvant être utilisées avec la LED blanche (programme d'éclairage White / point 5.1) et la LED rouge (programme d'éclairage "Red Night Vision" / point 5.2).

5.1 Programme d'éclairage White

Lorsque le programme d'éclairage White est activé (cf. point 5), l'éclairage blanc et focalisable de la lampe frontale est à votre disposition.

Si vous appuyez sur le bouton de commande lorsque la SEO 7R est éteinte, la lampe frontale s'allumera dans la fonction d'éclairage Power avec une pleine luminosité. Si vous commuterez une seconde fois dans un délai d'env. 2 secondes, une lumière de plus faible luminosité (fonction d'éclairage Dim) sera à votre disposition. Si, lors de cette deuxième commutation, vous ne faites pas que commuter, donc si vous n'appuyez pas qu'une seule fois brève sur le bouton de commande mais que vous le maintenez appuyé, vous pourrez modifier la luminosité en continu. Pendant que vous appuyez sur le bouton de commande, la luminosité augmente ou diminue. Une fois les deux points finaux atteints, la SEO 7R s'éteint brièvement, puis redevient plus claire ou plus sombre. Dès que vous relâchez le bouton de commande, vous bloquez la luminosité actuelle. Cette luminosité est maintenue pour la fonction d'éclairage Dim même si vous éteignez la lampe frontale.

Après la fonction d'éclairage Dim, la fonction "Automatic Dim" suivra si vous commuterez rapidement pour la troisième fois. Un capteur enregistre la luminosité de l'environnement et peut adapter la luminosité de la SEO 7R. Si cette fonction d'éclairage est activée, la luminosité sera par ex. réduite si vous éclairez des objets situés à proximité. Le risque d'éblouissement diminue ainsi et le travail, par ex. sur le bureau, est rendu plus facile. Si vous éclairez toutefois des objets à distance ou si l'environnement s'assombrit, la luminosité de la lampe frontale augmentera.

Enfin, le programme d'éclairage White vous propose également la fonction d'éclairage Signal (clignotement régulier lent). Lorsque la SEO 7R est éteinte, vous atteindrez la fonction d'éclairage Signal en commutant 4 x, mais en attendant seulement 2 secondes env. entre chaque commutation.

Une nouvelle commutation éteindra la SEO 7R et une autre commutation réactivera la fonction d'éclairage Power. L'ordre des fonctions d'éclairage est ainsi séquentiel. Notez toutefois que si vous attendez plus de 2 secondes env. après une commutation, toute nouvelle commutation éteindra la SEO 7R. Par exemple, si vous êtes sur la fonction d'éclairage "Automatic Dim" et que vous commuterez, mais attendez plus de 2 secondes après la première commutation, la fonction Signal ne suivra pas : la SEO 7R s'éteindra.

5.2 Programme d'éclairage "Red Night Vision"

Lorsque le programme d'éclairage "Red Night Vision" est activé (cf. point 5), l'éclairage rouge de la lampe frontale est à votre disposition.

Si vous appuyez sur le bouton de commande, lorsque la SEO 7R est éteinte, la lampe frontale s'allumera en rouge dans la fonction

d'éclairage Power avec une pleine luminosité. Si vous commuterez à nouveau dans un délai d'env. 2 secondes, la fonction d'éclairage Signal (clignotement régulier lent) sera à votre disposition en rouge.

Une nouvelle commutation éteindra la SEO 7R et une autre commutation réactivera la fonction d'éclairage Power en rouge. L'ordre des fonctions d'éclairage est là aussi séquentiel. Même dans le programme d'éclairage "Red Night Vision", vous éteindrez la SEO 7R par tout actionnement du bouton de commande si plus de 2 secondes env. sont passées depuis la dernière commutation. Par exemple, si vous êtes sur la fonction d'éclairage "Power" et que vous commuterez, mais attendez plus de 2 secondes après la première commutation, la fonction Signal ne suivra pas : la SEO 7R s'éteindra.

6. Energy Modes (modes de gestion de l'énergie)

En sélectionnant un des deux Energy Modes (modes de gestion de l'énergie : Energy Saving ou Constant Current), vous déterminerez comment sera utilisée l'énergie stockée dans l'accumulateur ou les piles.

1. **Energy Saving** (mode économique) : Grâce à la technologie intégrée Smart Light (SLT), il est possible de contrôler l'intensité lumineuse. La luminosité est adaptée aux conditions réelles survenant dans le cadre d'une utilisation normale de la lampe, et dispose ainsi d'une durée d'éclairage plus longue.

2. **Constant Current** (mode d'alimentation permanente) : Cet Energy Mode (mode de gestion de l'énergie) permet l'utilisation continue de toutes les fonctions d'éclairage avec une intensité lumineuse toujours constante. Il est utile lorsqu'une forte luminosité est plus importante qu'une longue durée d'éclairage.

Changement d'Energy Mode (mode de gestion de l'énergie) :

Pour changer d'Energy Mode (mode de gestion de l'énergie), la fonction d'éclairage Signal doit être activée dans le programme White. La SEO 7R clignote et le bouton de commande doit ensuite être pressé pendant env. 2 secondes. La lampe frontale arrête de clignoter, puis se rallume après un court instant pour s'éteindre à nouveau brutalement ou réduire lentement sa luminosité jusqu'à zéro. Si elle s'éteint brutalement, elle se trouve alors dans l'Energy Mode (mode de gestion de l'énergie) Constant Current. Si elle réduit lentement sa luminosité jusqu'à zéro, l'Energy Mode (mode de gestion de l'énergie) Energy Saving est activé.

Par cette procédure, vous basculerez d'un Energy Mode (mode de gestion de l'énergie) à un autre. Aucune fonction ne vous permet de savoir dans quel Energy Mode (mode de gestion de l'énergie) la SEO 7R se trouve. Pour le savoir, vous devez effectuer cette procédure. Si la SEO 7R ne se trouve pas dans l'Energy Mode (mode de gestion de l'énergie) souhaité, vous devez répéter la procédure.

7. Sécurité de transport / "Transport Lock"

Le point 5 décrit comment basculer entre la LED blanche et la LED rouge. Cela est

possible lorsque la SEO 7R est éteinte et que vous maintenez le bouton de commande appuyé pendant env. 2 secondes, uniquement. La lampe frontale passe alors du rouge au blanc ou du blanc au rouge. Si toutefois vous maintenez l'interrupteur plus longtemps appuyé (5 secondes env.) jusqu'à ce que la lumière s'éteigne, vous activerez la sécurité de transport ("Transport Lock"). Dès lors, vous ne pouvez plus allumer la SEO 7R : toute pression sur l'interrupteur est uniquement rendue par un bref clignotement rouge. Elle ne peut donc ni être allumée, ni consommer de l'énergie accidentellement.

Ce n'est que lorsque vous laisserez le bouton de commande appuyé pendant 5 secondes que cette fonction sera désactivée : la lampe se trouvera alors dans le programme d'éclairage White.

8. Fonction Reset

Si vous retirez le bloc-piles, les accumulateurs NiMH ou les piles alcalines, vous réinitialiserez la SEO 7R. Vous aurez alors réinitialisé certaines fonctions :

- La sécurité de transport / "Transport Lock" (cf. point 7) est désactivée.
- La fonction d'éclairage Dim fonctionne avec une luminosité réduite (cf. point 5.1).
- Energy Saving est alors actif en tant qu'Energy Mode (cf. point 6).
- Le programme d'éclairage White (cf. point 5.1) est actif.

9. Rechargement

La SEO 7R indique qu'elle est bientôt vide en faisant clignoter la LED rouge. Veuillez recharger le bloc-piles à temps. Rechargez le bloc-piles de votre SEO 7R uniquement dans des endroits secs et avec le chargeur fourni et/ou via une connexion USB (cf. ci-après). Les exécutions suivantes sont valables uniquement pour les accessoires fournis. Vous ne pouvez pas charger d'autres accumulateurs ou piles dans la SEO 7R ! Si vous utilisez des accumulateurs NiMH (cf. point 1), ceux-ci doivent être rechargés avec des chargeurs externes homologués à cet effet.

La livraison de votre SEO 7R inclut une fiche et un chargeur qui, si ceux-ci ne sont pas encore raccordés, doivent être assemblés jusqu'à ce que le raccord s'enclenche.

Le chargeur de la SEO 7R dispose d'une connexion USB devant être reliée au raccord adéquat du câble de chargement fourni pour recharger le bloc-piles. Raccordez l'autre côté du câble de chargement (micro-USB) au bloc-piles (fourni). Pour cela, vous devez ouvrir le compartiment des piles de la SEO 7R. Le bloc-piles peut alors être rechargé dans la SEO 7R ou être retiré pour être rechargé. Seul le bloc-piles fourni peut être rechargé avec le chargeur. Enfin, raccordez la fiche du chargeur à une prise femelle (entrée : 100 V à 240 V / 50 Hz à 60 Hz). Lorsque le processus de chargement est terminé (après 2 à 3 heures maxi.), séparez le chargeur de la prise femelle et le câble de chargement (micro-USB) du bloc-piles. Vous pouvez continuer de recharger le bloc-piles sans problème lorsque celui-ci est déjà entièrement rechargé.

Au lieu de connecter le câble de chargement au raccord USB du chargeur, vous pouvez également le brancher à une autre connexion USB (5 V / 900 mA), par ex. celle d'un ordinateur.

Via notre connecteur de chargement de voiture USB optionnel (Led Lenser Car Charger : n° d'article 0380), la SEO 7R peut également être rechargée sur les allume-cigares et les prises des véhicules. Cet accessoire s'adapte automatiquement à la tension d'entrée donnée (entre 12 V / 24 V). Ces alternatives sont par exemple utiles lorsqu'aucune prise femelle n'est à disposition.

Attention – Assurez-vous qu'aucun court-circuit ne peut se produire au niveau des contacts de charge. Ne touchez pas les contacts de charge avec des objets humides ou métalliques.

10. Affichage de chargement

Lorsque vous rechargez le bloc-piles de la SEO 7R avec le câble de chargement et le chargeur adaptés et/ou via une connexion USB (cf. point 9), sa LED d'état s'allume en rouge ; elle passe au vert lorsque le bloc-piles est entièrement rechargé.

11. Changement du bloc-piles / de l'accumulateur NiMH / des piles alcalines

Avant tout changement, éteignez la SEO 7R. Le couvercle du compartiment des piles se trouve sur le côté large du boîtier de la lampe. Une lèvre en plastique est située à hauteur de l'interrupteur. Poussez-la légèrement vers le haut, avec précaution, par ex. avec le pouce, pour faire basculer le couvercle du compartiment des piles vers le bas. Utilisez les petites encoches qui se trouvent à gauche et à droite du bouton de commande à cet effet. Vous pouvez désormais retirer le bloc-piles (ou les accumulateurs NiMH / les piles alcalines) et en insérer un nouveau.

Des accumulateurs NiMH ou des piles alcalines peuvent également être insérées. **Dans ce cas, n'utilisez en aucun cas le chargeur !**

Lors de l'insertion, il faut toujours respecter les polarités. Veuillez ainsi aux polarités (+ et -), aussi bien dans le compartiment des piles que sur le bloc-piles / les accumulateurs NiMH / les piles alcalines. Autrement, vous risquez éventuellement d'endommager, voire de faire exploser, les accumulateurs / les piles.

Le bloc-piles fourni ne peut être rechargé qu'avec le chargeur original et/ou via une connexion USB (cf. point 9) !

Après ce changement, refermez le compartiment des piles.

12. Ruban de tête

Si le ruban de tête n'est pas déjà relié à l'unité, procédez comme suit :
Enfilez tout d'abord l'extrémité mince en plastique du ruban de tête par l'avant à travers l'œillet situé sur le côté gauche du boîtier de la lampe frontale. Veuillez à l'orientation de l'inscription sur le ruban de tête. Faites ensuite passer le ruban via le couvercle du compartiment des piles jusqu'à l'œillet situé de

l'autre côté, puis vers l'avant. Enfilez ensuite cette extrémité du ruban de tête dans la petite fente médiane située à côté de l'œillet du mousqueton. Pour cela, faites passer l'extrémité mince en plastique par l'ouverture du milieu, laquelle est formée par les 4 petites barres. Vous pourrez alors enfiler toute l'extrémité à travers l'ouverture située à côté de l'œillet du mousqueton et attacher les deux extrémités du ruban de tête ensemble. Pour le transport, la SEO 7R peut être fixée via l'œillet du mousqueton à une boucle de ceinture ou à un sac à dos, par exemple. La troisième pièce en plastique du ruban de tête permet de régler la taille du ruban de tête et de l'adapter aux différents tours de tête.

13 Accus / piles

Ne rechargez pas de piles non rechargeables ou d'autres accumulateurs différents du type de bloc-piles fourni avec le chargeur fourni. N'utilisez jamais des accumulateurs et des piles ensemble. Remplacez toujours tous les accumulateurs et toutes les piles en même temps. Dans la SEO 7R, utilisez uniquement le bloc-piles, les piles alcalines (AAA/LR03/micro 1,5 V DC) ou les accumulateurs NiMH (AAA/LR03/micro 1,2 V DC) fourni(es/s).

En cas de non-utilisation prolongée, retirez le bloc-piles et/ou les accumulateurs NiMH ou les piles alcalines afin d'éviter des dommages. Les piles et les accumulateurs usagés doivent être retirés et éliminés en tant que déchets spéciaux, conformément à la législation nationale.

En règle générale, les piles, et en particulier les piles Lithium, les accumulateurs et les blocs-piles, ne doivent être éliminés qu'à l'état déchargé et de manière appropriée. Il faut par ailleurs assurer qu'aucun court-circuit ne peut être provoqué, par ex. par le collage des contacts via une bande adhésive non conductrice, avant la mise au rebut. En principe, les courts-circuits d'accumulateurs et de piles sont exclus ; ceux-ci ne doivent être ni ouverts, ni atterrir dans le corps, ni jetés au feu.

14. Nettoyage

Pour le nettoyage, veuillez utiliser un chiffon sec, propre et non pelucheux. Si la lampe entre en contact avec de l'eau salée, retirez l'eau salée sans délai et dans son intégralité avec un chiffon de ce type. Le ruban de tête peut être lavé en machine à 30 °C.

15. Accessoires

La SEO 7R et le ruban de tête sont livrés avec les accessoires suivants :

- 1 x chargeur avec fiche
- 1 x câble de chargement pour le raccord du chargeur et du bloc-piles
- 1 x bloc-piles
- 1 x mode d'emploi

D'autres accessoires sont prévus pour la SEO 7R. Sur notre site Web, vous pouvez vous informer au sujet de ces accessoires venant compléter le contenu de la livraison.

16. Important

Les petites pièces ou les piles / les accumulateurs contenu(e)s ne doivent pas être avalé(e)s ! Ces articles ou ces pièces (piles et accumulateurs inclus) doivent être tenus hors de la portée des enfants. Pour des raisons de sécurité et d'autorisation (CE), ce produit ne doit pas être transformé/modifié. Cet article ne doit être utilisé qu'en tant que lampe à piles / à accumulateurs. Si cet article est utilisé au-delà du cadre pour lequel il est prévu ou de manière non conforme, il peut être endommagé : une utilisation sans risque (feu, court-circuit, électrocution, etc...) n'est alors plus garantie. Plus aucune responsabilité n'est engagée dans le cas de dommages corporels et matériels ; la garantie du fabricant s'annule également. La plage de températures dans laquelle cet article peut être utilisé est située entre -20 °C et +50 °C. Assurez-vous donc que cet article n'est pas exposé à des températures extrêmes, des chocs violents, des atmosphères, des solvants et/ou des vapeurs explosifs. Même une lumière solaire directe prolongée et une forte humidité / concentration d'eau doivent être évitées.

Toute modification, réparation ou maintenance dépassant les indications spécifiées dans les documents joints à cet article doit être réalisée par du personnel qualifié autorisé, uniquement. Si vous vous êtes assuré que l'article contient des piles / des accumulateurs respectant les polarités, est correctement fermé, mais qu'un fonctionnement normal et sûr n'est toujours pas possible ou que le produit présente des dommages, mettez le produit hors service et ne l'utilisez plus. Dans ce cas, adressez-vous à votre interlocuteur compétent dans le cadre de la garantie.

17. Consignes de sécurité

- Cet article n'est pas un jouet.
- En raison de la présence de petites pièces pouvant être avalées, il n'est pas adapté aux enfants âgés de moins de 5 ans.
- Cet article ne doit pas être employé pour examiner les yeux (par ex. pour le test de la pupille).
- Lors de l'utilisation, évitez toute accumulation de chaleur, par ex. en couvrant l'article.
- Si cet article ne fonctionne pas, vérifiez tout d'abord que ce dysfonctionnement n'est pas dû à un accumulateur / des accumulateurs / des piles vide(s) ou au fait que ceux-ci n'ont pas été correctement insérés (dans le respect des polarités, notamment).
- En cas d'utilisation sur la voie publique, respectez les dispositions légales en vigueur.

Du fait du rayonnement optique, le risque le plus contraignant de cet article réside dans le danger de la lumière bleue (400 nm à 780 nm). Les valeurs limites d'un risque thermique sont largement respectées.

Pour l'observateur, le risque dépend de l'utilisation et/ou de l'installation de l'article. Aucun risque optique n'existe cependant tant qu'un réflexe de détournement des yeux limite la durée d'exposition et que les consignes de

ce mode d'emploi sont respectées. Un réflexe de détournement des yeux est provoqué par une exposition. Il renferme toutes les réactions naturelles protégeant l'oeil d'un risque lié à un rayonnement optique. Il s'agit ici surtout de réactions volontaires, comme les mouvements des yeux ou de la tête (par ex. détourner).

Lors de l'utilisation de cet article, il faut surtout prendre en compte que les réflexes de détournement des yeux des personnes ciblées peuvent être affaiblis, voire empêchés par les médicaments, les drogues ou les maladies.

L'utilisation non conforme de cet article à l'effet éblouissant peut provoquer des dommages réversibles, à savoir des contraintes temporaires de l'acuité visuelle (éblouissement physiologique) ou des images consécutives et/ou une sensation de dérangement, comme un malaise et une fatigue (éblouissement psychologique). Le degré et la durée de décroissance des dérangements temporaires dépendent largement de la différence de luminosité entre la source de l'éclairage éblouissant et l'environnement. Les personnes photosensibles, en particulier, doivent consulter un médecin spécialiste avant d'utiliser cet article.

En principe, les sources de lumière intensives possèdent un potentiel de dangerosité secondaire élevé du fait de leur effet éblouissant. Comme dans le cas où l'on regarde d'autres sources lumineuses claires (par ex. phares de voitures), une acuité visuelle temporairement réduite et des images consécutives peuvent provoquer des irritations, des troubles, des nuisances, voire des accidents, en fonction de la situation.

Ces consignes sont valables pour l'utilisation d'un seul article. Si plusieurs articles émetteurs de lumière de type similaire ou différent sont utilisés ensemble, l'intensité du rayonnement optique peut augmenter.

Toute fixation prolongée de la source de rayonnement de l'article par l'utilisateur ou d'autres personnes, avec et sans instruments focalisants, est à éviter ! Dans ce genre de cas, il vaut mieux fermer volontairement les yeux et bouger la tête hors du faisceau lumineux.

En cas d'utilisation professionnelle ou en cas d'utilisation dans des endroits publics, il faut, selon les cas, informer l'utilisateur de la totalité des lois et règlements à respecter.

Règles importantes de comportement :

- Ne pas orienter directement le faisceau lumineux vers les yeux de personnes.
- L'utilisateur ou d'autres personnes ne doivent pas regarder directement le faisceau.
- Si le rayonnement optique atteint l'œil, fermer volontairement les yeux et bouger la tête hors de la zone du faisceau.
- Ce mode d'emploi et ces consignes doivent être conservés et remis lors de la transmission de l'article.
- Il est interdit de regarder la lumière directement émise par cet article.

Het verheugt ons dat u gekozen heeft voor een product van LED Lenser.

Om u vertrouwd te maken met dit product, vindt u hier een gebruikshandleiding. U dient alle bijgesloten documenten aandachtig te lezen alvorens u het product in gebruik neemt, bewaar ze zorgvuldig en indien het product wordt overgedragen aan een derde dienen deze documenten mee overhandigd te worden. Dit zorgt voor een optimaal gebruik van het product en wordt er geanticipeerd op mogelijke vragen van gebruikers voor ze gesteld worden. Boven alles dient er voldaan te worden aan de veiligheidsvoorschriften en waarschuwingen en werp de verpakking bij de afvalverwerking.

Bijkomende informatie voor de SEO met Test IT functie

Uw LED Lenser SEO 7R hoofdlampmetartikelnr. 6107-R (artikelnr. 6007-R; zonder TEST IT functie) is voorzien van een TEST IT functie. Dit stelt gebruikers in de gelegenheid om de helderheid te testen, terwijl het product nog in de verpakking zit. Druk gewoon op de gele TEST IT knop op de voorkant van de verpakking om te testen. Gelieve bij het testen niet rechtstreeks in het licht te kijken.

De TEST IT knop van de SEO-7R is aangesloten op de batterij, m.v. 2 draden, dewelke dienen verwijderd te worden voor gebruik.

Om de TEST IT knop en bedrading te verwijderen dient u de batterijbehuizing te openen en de 3x AAA batterij te verwijderen (zie ook „Vervangen van het batterijpak / Ni-MH accu's / Alkaline batterijen“ hieronder). Verwijder de 2 draden van de TEST IT knop en de batterijbehuizing door aan de draad te trekken tot deze los komt. Plaats de 3x AAA batterijen, resp. accu's, terug en hou rekening met de juiste polariteit. Sluit vervolgens de batterijbehuizing. Gelieve de verpakking en de TEST IT knop met bedrading weg te werpen volgens de lokaal geldende regelgeving.

Artikel

6007-R, LED LENSER® SEO 7R

6107-R, LED LENSER® SEO 7R (Blister)

1. Batterijen

- 1x batterijpak van de SEO 7R (inbegrepen bij de 6007-R en 6107-R), of
- 3x alkaline batterijen AAA/LR03/Micro (1.5V DC) (inbegrepen bij de 6107-R), of
- 3x Ni-MH batterijen AAA/LR03/Micro (1.2V DC) (niet inbegrepen)

2. In- en uitschakelen

In het bovenste deel van de hoofdlampbehuizing, tussen batterij box en het deel met de reflector-lens, bevindt zich de schakelknop van de SEO 7R. Deze schakelknop dient om de SEO 7R in- en uit te schakelen en wordt eveneens gebruikt om de verschillende lichtprogramma's en lichtfuncties te activeren (zie punt 5) en om te wisselen tussen wit en rood licht (zie punt 5). Bovendien kan u eveneens de "Transport Lock" activeren (zie punt 7).

3. Focus

Aan de voorzijde, op het kleinere gedeelte van de hoofdlampbehuizing, bevindt zich de reflector-lens waardoor het licht van de witte LED (zie punt 5.1) is gefocuseerd. De reflector-lens wordt op zijn plaats gehouden door een kunststof ring. Door 2 vingers te gebruiken kan u de kunststof ring draaien en de focusering snel en gemakkelijk aanpassen. Deze zogenaamde Speed Focus maakt het mogelijk om de hoek van de witte lichtstraal continu aan te passen. Afhankelijk van of u een gebied in de verte of dichtbij wenst te verlichten, kan u eveneens de hoek van de lichtbundel aanpassen. Hiervoor kan u de kop van de hoofdlamp, dewelke de reflector-lens en de witte LED bevat, eenvoudig kantelen. Men kan eveneens gebruik maken van tussen liggende posities.

4. Smart Light Technology (SLT)

De SEO 7R is uitgerust met onze Smart Light Technology (SLT). Dankzij het gebruik van een microcontroller kan de lichtopbrengst van de LED worden geregeld en kan de gebruiker de verschillende lichtprogramma's en lichtfuncties gebruiken. Met één enkele schakelaar was het mogelijk om een interface te ontwerpen die eenvoudig en gebruiksvriendelijk is. Met de SEO 7R beschikt de gebruiker hierdoor over verschillende lichtsterktes en op verschillende manieren. Er zijn dus 2 Energy Modes, 2 lichtprogramma's en een aantal lichtfuncties beschikbaar. Om de lamp in- en uit te schakelen en om de verschillende lichtfuncties te kunnen selecteren, dient men de schakelknop te gebruiken (zie punt 2). De helderheid van de SEO 7R wordt in feite bewaakt door de ingebouwde temperatuurscontrole.

5. Lichtprogramma's en lichtfuncties

De SEO 7R beschikt over 2 LED's, waarvan er 1 wit licht geven en 1 rood licht.

De witte LED is zeer sterk en ideaal voor normaal gebruik. Dit zeer helder licht kan misschien niet goed zijn wanneer je ogen gewend zijn geraakt aan het donker bij weinig omgevingslicht. In tegenstelling tot het gebruik van wit licht, zal het rode licht van de rode LED ervoor zorgen dat het oog zich niet dient aan te passen aan weinig omgevingslicht. De focus en hoek van de rode lichtbundel kan niet worden aangepast.

Bij een uitgeschakelde SEO 7R kan men, door de schakelknop 2 seconden in te drukken, wisselen tussen wit en rood licht. De hoofdlamp zal nu veranderen van wit naar rood of van rood naar wit licht. U dient de schakelknop los te laten bij de gewenste kleur. Indien u te lang op de schakelknop drukt, wordt de "Transport Lock" geactiveerd (zie punt 7)!

De onderstaande punten hebben betrekking op de lichtfuncties van de witte LED (lichtprogramma wit/punt 5.1) en de rode LED (lichtprogramma "Red Night Vision"/punt 5.2).

5.1 Lichtprogramma wit

U kan het witte licht van de hoofdlamp gebruiken indien het lichtprogramma wit is ingeschakeld (zie punt 5).

Bij een uitgeschakelde SEO 7R dient men op de schakelknop te drukken om de lichtfunctie

Power te bekomen met de hoogste lichtsterkte. Indien u binnen de 2 seconden een tweede keer drukt, zal de SEO 7R gloeien met een lagere lichtsterkte (Dim). Wanneer u binnen de 2 seconden een tweede keer drukt en de schakelknop ingedrukt houdt, kan u de helderheid oneindig aanpassen. Tijdens deze bewerking varieert de lichtsterkte tussen zeer helder en verminderde helderheid. Bij de hoogste en de laagste helderheid zal de SEO 7R even knipperen en vervolgens voor een korte periode uit gaan. Als u de schakelknop los laat, blokkeert u de actuele helderheid. Deze lichtsterkte blijft behouden in de lichtfunctie Dim, zelfs als u de hoofdlamp uitschakelt. Na de lichtfunctie Dim (alles bij elkaar door 3x te drukken) komt de lichtfunctie Automatic Dim. Een sensor detecteert de lichtintensiteit van de omgeving en kan de helderheid van de SEO 7R aanpassen. Indien deze lichtfunctie is geactiveerd, wordt de lichtsterkte vermindert als u bijv. objecten verlicht op korte afstand. Dit vermindert de kans op verblinding maakt werken aan bijv. een bureau gemakkelijker. Maar als je objecten in de verte wenst te verlichten of de omgeving wordt donkerder, dan wordt de lichtsterkte verhoogd.

De laatste lichtfunctie in het lichtprogramma wit is de lichtfunctie Signal (langzaam gelijkmatig knipperen). Door 4x snel te drukken, d.w.z. niet langer dan 2 seconden wachten tussen elke indrukking, bekomt u de lichtfunctie Signal (langzaam gelijkmatig knipperen).

Door nog een keer op de schakelknop te drukken wordt de SEO 7R uitgeschakeld en kan u terug van voor af aan starten en bekomt u de lichtfunctie Power door de schakelknop in te drukken. De lichtfuncties zitten dus in een lus systeem. Hou er echter rekening mee dat de lamp wordt uitgeschakeld indien er meer dan 2 seconden zijn verstreken tussen het vorige indrukken. Bijvoorbeeld, indien u langer dan 2 seconden wacht nadat u de lichtfunctie Dim had geactiveerd, zal de lamp niet over gaan tot de Signal functie, maar gaat de SEO 7R uit.

5.2 Lichtprogramma "Red Night Vision"

U kan het rode licht van de hoofdlamp gebruiken indien het lichtprogramma "Red Night Vision" is ingeschakeld (zie punt 5).

Bij een uitgeschakelde SEO 7R dient men op de schakelknop te drukken om de lichtfunctie Power te bekomen met de hoogste rode lichtsterkte. Indien u binnen de 2 seconden een tweede keer drukt, zal de SEO 7R knipperen in de lichtfunctie Signal (langzaam gelijkmatig knipperen).

De lichtfunctie Signal is de laatste lichtfunctie in dit programma. Dus door de schakelknop nog een keer in te drukken wordt de SEO 7R uitgeschakeld en begint u terug van voor af aan en bekomt u opnieuw de lichtfunctie Power door op de schakelknop te drukken.

De lichtfuncties zitten dus in een lus systeem. Hou er echter rekening mee dat de lamp wordt uitgeschakeld indien er meer dan 2 seconden zijn verstreken tussen het vorige indrukken. Bijvoorbeeld, indien u langer dan 2 seconden wacht nadat u de lichtfunctie Power had geactiveerd, zal de lamp niet over gaan tot de Signal functie, maar gaat de SEO 7R uit.

6. Energy Modes

Door te kiezen voor één van de twee Energy Management programma's, kiest u voor een bepaald energieverbruik van de batterijen/accu's.

1. Energy Saving

Met dit programma bepaalt u de lichtsterkte met de ingebouwde Smart Light technology (SLT). De lichtopbrengst zal worden aangepast aan het gebruik van een normale zaklamp en dus een langere brandtijd.

2. Constant Current

Met dit programma beschikt u over alle programma's met constante lichtsterkte. Deze modus geniet de voorkeur indien hoge lichtsterkte belangrijker is dan een langere brandtijd.

Wisselen van Energy Mode

Om te wisselen van Energy Mode, dient een van de lichtfuncties in het lichtprogramma wit geactiveerd te zijn, bijv. de lichtfunctie Signal (langzaam gelijkmatig knipperen). Vervolgens houdt u de schakelknop ca. 2 seconden ingedrukt. De SEO 7R wordt uitgeschakeld en wordt na een kort moment terug ingeschakeld. Vervolgens zal de hoofdlamp uitschakelen of de lichtsterkte wordt tot 0 herleid.

In geval de lichtsterkte geleidelijk vermindert tot 0, bevindt de SEO 7R zich in de Energy Saving mode. Maar als de lichtsterkte van de SEO 7R constant blijft voor een ogenblik en dan plots tot 0 daalt, dan bevindt de hoofdlamp zich in de Constant Current mode.

Met deze procedure kan u wisselen tussen de 2 Energy Modes. Indien u niet kan vaststellen in welke Energy Mode de SEO 7R zich bevindt, dient u de procedure opnieuw uit te voeren.

7. Transport Lock

Onder punt 5 is beschreven hoe u dient te wisselen tussen de witte en rode LED. Dit vindt plaats bij een uitgeschakelde SEO 7R en de schakelknop ca. 2 seconden wordt ingedrukt. De hoofdlamp zal veranderen van wit naar rood of van rood naar wit licht. Wanneer u de schakelknop echter langer indrukt (ca. 5 seconden) totdat de lamp uitschakeld, dan heeft u de Transport Lock ingeschakeld. De rode LED zal even knipperen om aan te geven dat deze functie is geactiveerd indien men op de schakelknop drukt. De SEO 7R kan niet meer ingeschakeld worden. De SEO 7R kan hierdoor niet opzettelijk of onopzettelijk worden ingeschakeld en per ongeluk energie verbruiken.

Enkel door de schakelknop gedurende 5 seconden opnieuw in te drukken, kan men deze functie ("Transport Lock") uitschakelen en bevindt de lamp zich in het lichtprogramma wit.

8. Reset functie

Als u het batterijpack, de lege alkaline batterijen of Ni-MH accu's van een SEO 7R uit de batterij box verwijderd, heeft u de SEO 5 gereset. U heeft dus een paar functies gereset:

- de Transport Lock (zie punt 7) is gedeactiveerd
- de lichtfunctie Dim (zie punt 5.1) is ingeschakeld met de laagste helderheid
- de Energy Mode, Energy Saving is geactiveerd (zie punt 6)
- het lichtprogramma wit (zie punt 5.1) is geactiveerd

9. Laden

De SEO 7R geeft aan wanneer het batterijpack bijna leeg is door rood te knipperen.

Gelieve het batterijpack tijdig te vervangen. Gelieve de batterijen of accu's tijdig te vervangen.

Laadt het batterijpack van de SEO 7R op een droge plaats en gebruik enkel de bijgesloten lader of via een USB poort (zie hieronder). De volgende informatie is enkel van toepassing op de bijgesloten accessoires. U kan geen andere accu's of batterijen laden in de SEO 7R. Indien er Ni-MH accu's (zie punt 1) worden gebruikt, moeten deze worden geladen in goedgekeurde externe laders.

De SEO 7R wordt geleverd met een stekker en een lader. In het geval dat de stekker en de lader nog niet verbonden zijn, gelieve ze beiden aan te sluiten en u de verbinding hoort klikken.

De lader van de SEO 7R heeft een USB poort dewelke dient aangesloten te worden met de overeenkomstige aansluiting van de laadkabel om het SEO 7R batterijpack te laden. De andere zijde van de laadkabel (micro USB) dient aangesloten te worden op het batterijpack. Hiervoor dient u mogelijk de batterij box te openen. De batterijpack van de SEO 7R kan op 2 manieren geladen worden, ofwel in de batterij box van de SEO 7R of uit de batterij box. De lader van de SEO 7R kan enkel gebruikt worden voor het opladen van het batterij pack.

De laatste stap is om de stekker in een stopcontact te pluggen (Input: 100-240V /50-60 Hz). Wanneer het laden is beëindigd (na max. 2-3 uur), de lader uit het stopcontact nemen en de laadkabel (micro USB) van het batterijpack. Er ontstaan geen problemen indien u het batterijpack verder laat laden.

In plaats van de laadkabel van de SEO 7R aan te sluiten op de USB poort van de lader, kan u eveneens aansluiten op een andere USB poort (5V / 900 Ma), bijv. van een computer.

Bij gebruik van de optioneel verkrijgbare USB lader voor de auto (artikel LL-CC/0380), kan het batterijpack eveneens geladen worden in de sigarettenaanstekker en andere contacten van de auto. Deze accessoires zijn automatisch op elkaar afgestemd met een respectievelijke ingangsspanning van 12/24V. Deze alternatieve laadmethode van het batterijpack kan geschikt zijn indien er geen stopcontact beschikbaar is.

Let op – Zorg ervoor dat er geen kortsluiting plaats vindt bij de contacten van de batterijen. De contacten van de batterijen mogen niet met vochtige of metalen voorwerpen worden aangeraakt.

10. Laadindicatie

Indien u het batterijpack van de SEO 7R laadt met de bijhorende lader en laadkabel of via een USB poort (zie punt 9), dan zal de LED indicatie volgende kleuren geven:

- rood = laden
- groen = geladen, klaar voor gebruik

11. Batterijen vervangen (alkaline, accu's of batterijpack)

Voorafgaand aan de wisseling, dient de SEO 7R uitgeschakeld te zijn.

Aan de brede kant van de hoofdamp behuizing bevindt zich het deksel van de batterij box. In de buurt van de schakelknop zit er een plastic lip. Als je op deze lip drukt kan het deksel worden neergeklapt met behulp van de kleine inkepingen links en rechts naast de schakelknop.

U kunt nu de batterijen verwijderen en de nieuwe plaatsen.

Ni-MH accu's en alkaline batterijen kunnen eveneens gebruikt worden.

Maar dan kan de lader niet gebruikt worden!

De batterijen dienen steeds in de juiste richting geplaatst te worden. Daarom, let op de polariteit (+ en -), zowel op de batterij als op de batterij box. Anders bestaat er een mogelijk risico dat de batterijen beschadigd worden en mogelijk exploderen.

Na het vervangen van de batterijen dient het deksel te worden terug geplaatst.

12. Hoofdband

Als de hoofdband nog niet op de hoofdamp unit is geplaatst, gaat u als volgt te werk.

Steek het uiteinde van de hoofdband met het smalle kunststof deel aan de voorkant, door het oog van de hoofdamp behuizing aan de linkerzijde. Let op de oriëntatie van de belettering op de hoofdband. Leg de hoofdband over het deksel van de batterij box naar het oog aan de andere zijde van de batterij box en trek hem naar de voorzijde.

Dit uiteinde van de hoofdband dient door het gat naast de clips aan het kunststof deel van de andere zijde van de hoofdband geplaatst te worden. Dit langwerpige gat heeft 4 smalle ribbels langs waar het smalle kunststof deel vanaf de zijkant dient doorgevoerd te worden. Dit maakt dat het einde door dit gat wordt getrokken en beide einden van de hoofdband met elkaar verbonden zijn.

Door gebruik te maken van het oog van de clips, kan de SEO 5 bijv. aan een broeksriem of een rugzak bevestigd worden voor transport.

De derde kunststof component van de hoofdband kan gebruikt worden om de lengte van de hoofdband in te stellen.

13. Herlaadbare batterijen / Accu's

Niet herlaadbare batterijen (bijv. alkaline batterijen) mogen niet geladen worden. Gebruik niet herlaadbare batterijen en accu's nooit gelijktijdig. Vervang steeds alle nite herlaadbare batterijen en accu's tegelijktijdig. Gebruik in de SEO 7R enkel:

- batterijpack van de SEO 7R, of
- Ni-MH batterijen AAA/LR03/Micro (1.2V DC)

Als u van plan bent om de hoofdamp voor een langere periode niet te gebruiken, verwijder dan de alkaline batterijen, accu's of het batterijpack om schade te voorkomen.

Gebruikte batterijen en accu's moeten verwijderd worden en weg geworpen in overeenstemming met de nationaal geldende wetten.

In het algemeen, voor het wegwerpen van batterijen en in het bijzonder van lithium batterijen, accu's en batterijpacks, is de toepasselijke regel dat ze enkel kunnen weggevoerd worden in ontladen toestanden

op een technisch correcte manier. Voorafgaand dient er voor gezorgd te worden dat er niet geleidende kleefband wordt aangebracht over de contacten zodat er geen kortsluiting kan ontstaan. In principe moet de mogelijkheid tot kortsluiting worden geëlimineerd en mogen ze noch geopend worden, noch het menselijke lichaam betreden op gelijk welke wijze, noch mogen zij in het vuur geworpen worden.

14. Proper maken

Gebruik voor het reinigen een droge, niet-pluizende schone doek. Als de lamp in contact komt met zout water, moet het water onmiddellijk verwijderd worden met zo'n doek. De hoofdband kan gewassen worden in een wasmachine bij 30°C.

15. Omvang van de levering

De SEO 7R inclusief hoofdband wordt geleverd met volgende toebehoren:

- 1x lader + stekker
- 1x aadkabel om de lader op het batterijpack aan te sluiten
- 1x batterijpack
- 1x gebruikshandleiding

Extra toebehoren voor de SEO 5 worden nog ontworpen. Meer informatie over deze extra accessoires bovenop de geleverde kit, kan u vinden op onze internet site.

16. Opgepast

Geen kleine onderdelen of batterijen die aanwezig zijn inslikken. De producten of onderdelen daarvan (inclusief batterijen) moeten worden opgeslagen buiten het bereik van kinderen. Om veiligheidsredenen en keuring (CE) mag het product niet worden aangepast en/of gewijzigd. Het product mag uitsluitend als zaklamp gebruikt worden. Als de SEO 7R wordt gebruikt voor andere doeleinden, of verkeerd gebruikt, kan het beschadigd worden en is het gevaar voor vrij gebruik niet meer gegarandeerd (gevaar voor brand, kortsluiting, elektrische schokken, enz.). Er is dan geen enkele aansprakelijkheid voor schade aan personen of eigendommen en de garantie van de fabrikant komt te vervallen.

Het temperatuursbereik bij dewelke de SEO 7R kan gebruikt worden is -20°C tot +50°C. Zorg ervoor dat de SEO 7R niet wordt blootgesteld aan extreme temperaturen, intense vibraties, explosieve omgevingen, oplosmiddelen en/of dampen. Ook de voortdurende blootstelling aan direct zonlicht, hoge vochtigheid en/of vocht dient vermeden te worden.

Wijzigingen, herstellingen en onderhoud van de elementen die beschreven zijn in de documente die het product vergezellen, mogen alleen uitgevoerd worden door bevoegd technisch personeel. Zodra wordt vastgesteld dat het product is geladen en correct vastgeschroefd/ gesloten, maar desondanks een normale en veilige werking niet mogelijk is of het product beschadigingen vertoont, mag het niet verder gebruikt worden. In dit geval, voor garantie gevallen, dient u contact op te nemen met uw verdeler.

17. Veiligheidsinstructies

- Dit product is geen kinderspeelgoed.
- Omdat het product kleine onderdelen bevat die ingeslikt kunnen worden, is het niet geschikt voor kinderen onder de 5 jaar.
- Het product mag niet worden gebruikt voor oogonderzoek (bv. zogenaamde pupil test).
- Bij gebruik dient de warmte accumulatie door bv. afdekking te worden vermeden.
- Als het product niet correct werkt, dient men als eerste punt te controleren of dit te wijten is aan een ontladen batterij of omdat de lampkop en Power Module niet goed genoeg zijn dicht geschroefd.
- Bij gebruik in het verkeer dient men de desbetreffende wettelijke voorschriften te respecteren.

Het gevaar dat de belangrijkste bedreiging vormt in dit product door de optische straling is het Blue-Light gevaar (400nm tot 780nm). De waarden van de termische gevaren drempel zijn duidelijk niet bereikt.

Het risico voor de kijker is afhankelijk van het gebruik of hoe het product is geïnstalleerd. Niettemin is er geen optisch gevaar zolang de afwendingsreacties de blootstellingstijd limiteren en zolang de informatie in deze handleiding wordt waargenomen. De afwendingsreacties worden veroorzaakt door de blootstelling aan de lichtbundel en zijn de natuurlijke reacties van het oog tegen gevaren van optische straling. Dit omvat in het bijzonder de bewuste afwendingsreacties zoals oog- en hoofdbewegingen (bv. weg draaien van de lichtbron).

Bij het gebruik van het product is het van bijzonder belang in het achterhoofd te houden dat de afwendingsreacties van personen op wie de lichtbundel is gericht, door mediactie, drugs of ziekte, verzwakt of buitenspel kunnen gezet worden.

Door het verblindende effect van het product, kan het onjuiste gebruik leiden tot omkeerbare, dat wil zeggen een tijdelijke verslechtering van het gezichtsvermogen (fysiologische verblindings) of nabeelden, of kan het leiden tot zich onwel voelen in de zin van zich misselijk en moe voelen (fysiologische verblindings). De intensiteit van dit tijdelijk gevoel van onwel zijn of de tijd totdat het vermindert zijn in eerste instantie afhankelijk van het verschil in lichtsterkte tussen de verblindende lichtbron en het omgevingslicht. In het bijzonder dienen lichtgevoelige personen een medisch adviseur te raadplegen alvorens het product te gebruiken.

De principiële regel is dat lichtbronnen met hoge intensiteit een hoog secundair gevaar met zich meebrengen als gevolg van hun verblindend effect. Net als kijken in andere felle lichtbronnen (bv. koplampen van eenauto), kan de tijdelijke beperkte vermindering van het gezichtsvermogen en nabeelden leiden tot irritatie, ongemakken en zelfs ongevallen, afhankelijk van de situatie.

De informatie heeft betrekking op het gebruik van één enkel product. Als meerdere

lichtgevende producten van hetzelfde type of van een ander type samen worden gebruikt, kan de intensiteit van de optische straling toenemen.

De gebruiker en andere personen dienen het lang kijken, of oogcontact, met de stralingsbron van dit product, met en zonder andere lichtbundelende instrumenten, te vermijden als een kwestie van principe! Integendeel, in dergelijke gevallen dienen de ogen opzettelijk te worden gesloten en het hoofd te worden afgewend van de lichtbundel.

In geval van commercieel gebruik of gebruik van het product door overheidsinstanties, moet de gebruiker worden geïnformeerd in overeenstemming met de nationale wetten en regelgeving betreffende gezondheid, veiligheid en de individuele gevallen van gebruik.

Belangrijke gedragsregels:

- Richt de lichtbundel niet rechtsreeks in de ogen van een persoon.
- De gebruiker of een andere persoon mag niet rechtstreeks in de lichtbundel kijken.
- Indien een optische straling het oog raakt; de ogen opzettelijk sluiten en het hoofd afwenden van de lichtbundel.
- De handleiding en deze informatie moeten veilig worden opgeslagen en moeten worden overgedragen samen met het product.
- Het is verboden om recht in de lichtbundel te kijken die wordt uitgezonden door dit product.

La ringraziamo per aver scelto il nostro prodotto. Trova qui le istruzioni per l'uso al fine di poterlo utilizzare correttamente. La preghiamo di leggere con attenzione tutti i documenti compresi nella confezione, di conservarli e, nel caso l'articolo venga affidato a terzi, di trasmettere anche la relativa documentazione. Tutto ciò consentirà anche a Lei di trarre il massimo profitto dall'utilizzo del prodotto e di poterlo usare correttamente in qualsiasi situazione. La preghiamo di far attenzione soprattutto alle istruzioni relative ad un utilizzo sicuro del prodotto e di provvedere a smaltire la confezione in modo conforme ai vigenti regolamenti.

Avviso aggiuntivo riguardante SEO con funzione Test IT.

La Vostra torcia frontale Led Lenser SEO7R con codice 6107R (il codice 6007R non ha pulsante Test IT) è dotata di confezione con pulsante TEST IT. Questo consente di testare la luminosità della torcia mentre questa è ancora contenuta nella sua confezione integra. Per fare ciò, premete semplicemente il tasto giallo Test IT sul fronte della confezione. Per favore non guardate direttamente nel fascio luminoso. Il tasto TEST IT è collegato tramite due fili elettrici al vano batterie della SEO7R. Questi vanno scollegati prima di poter utilizzare la torcia. Aprite a questo scopo il vano batterie, togliete le 3 batterie AAA (consultate a questo scopo il paragrafo relativo alla sostituzione delle batterie riportato più sotto). Rimuovete entrambi i fili del tasto TEST IT. Rimettete al proprio posto le batterie facendo attenzione alle rispettive polarità. Richiudete il vano batterie e provvedete a smaltire la confezione secondo le normative vigenti.

Articolo

6007-R, LED LENSER® SEO 7R
6107-R, LED LENSER® SEO 7R (Blister)

1. Batterie:

- 1 batteria ricaricabile a pacchetto (accumulatore; compreso nella confezione sia della 6007-R che della 6107-R). È possibile utilizzare in alternativa:
- 3 batterie alcaline AAA/LR03 micro (1,5V DC) (comprese nella confezione della 6107-R) oppure
- 3 batterie ricaricabili NimH AAA/LR03 Micro (1,2V DC) (non comprese nella confezione).

2. Accensione e spegnimento

Nella parte superiore della testa della torcia SEO7R, tra il vano batterie e la parte dotata di lente-riflettore si trova l'interruttore col quale accendere la SEO7R. Tale interruttore si utilizza anche per attivare le diverse funzioni luce (vedi punto 5) nonché per passare da luce bianca a rossa (vedi punto 5). Sempre dall'interruttore si può poi attivare un funzione di sicurezza per il trasporto ("Transport Lock", punto 7).

3. Focalizzazione

Nella parte anteriore della testa si trova la lente-riflettore, attraverso la quale si focalizza la luce del LED bianco (vedi punto 5.1). La lente riflettore è contenuta in un anello in plastica.

Facendo ruotare l'anello con due dita si aziona la focalizzazione in modo semplice e veloce. Si tratta del cosiddetto Speed Focus che consente di modulare in modo continuo l'angolo di apertura del raggio di luce bianca. È possibile anche orientare il fascio luminoso rispetto ad una linea orizzontale a seconda che vogliate illuminare in distanza o nelle Vostre vicinanze. Per ottenere ciò orientate verso il basso la testa della torcia contenente la lente. Il sistema a ghiera consente anche posizioni intermedie.

4. Smart Light Technology (SLT)

La SEO7R è dotata della nostra Smart Light Technology (SLT). Attraverso un microchip è possibile modulare l'intensità della luce emessa dal LED nonché utilizzare diversi programmi e funzioni luminose. Il tutto passa attraverso un singolo interruttore che consente di accedere a tutte queste funzioni in modo semplice e pratico. La SEO7R offre all'utente luce in diverse intensità e in diversi modi. A disposizione vi sono due Energy Modes, due programmi di illuminazione e una serie di funzioni. Per accendere e spegnere la torcia e per scegliere tra le diverse funzioni viene utilizzato l'interruttore descritto nel punto 2. Alla base di tutto vi è il controllo della luminosità della SEO7R tramite un'unità di controllo della temperatura posta all'interno della torcia stessa.

5. Programmi e funzioni luminose

La SEO7R contiene due LED (=light emitting diods, diodi luminosi). Il LED bianco, molto intenso, è pensato per l'utilizzo normale, quando ad esempio servono anche lo Speed Focus o un raggio luminoso orientato. Questa luce è molto intensa e risulterebbe superflua in momenti del giorno in cui la vista riesce comunque a sfruttare la luce sia pur tenue presente nell'ambiente circostante. In questi momenti si può utilizzare la luce rossa del secondo LED, che si trova accanto alla lente-riflettore. Si passa dalla luce bianca alla rossa partendo da torcia spenta e tenendo premuto per circa due secondi l'interruttore. La torcia passa in questo modo da luce bianca a rossa e viceversa. Fate attenzione poi a rilasciare l'interruttore, in quanto tenendo premuto ulteriormente a lungo si passa alla sicura per il trasporto (punto 7).

I punti seguenti riguardano le funzioni luce offerte dal LED bianco (programmi a luce bianca, punto 5.1) e dal LED rosso (programma "visione notturna rossa", punto 5.2).

5.1 Programma a luce bianca

Attivando il programma a luce bianca (punto 5) si ha a disposizione la luce bianca e focalizzabile della torcia. A torcia spenta, premendo l'interruttore, la torcia si accende nella funzione Power con luce a piena intensità. Cliccando 2 volte nell'arco di due secondi si passa ad un'intensità di luce inferiore (funzione Dim). Tenendo l'interruttore premuto all'atto del secondo click è possibile modificare l'intensità in modo continuo. Nel lasso di tempo in cui l'interruttore resta premuto la luce varia tra intensità piena e ridotta. Ai due estremi la SEO7R si spegne per un breve istante, poi si riaccende ripartendo dal minimo o dal massimo di intensità luminosa a seconda

del livello massimo o minimo nel quale si era spenta. Rilasciando l'interruttore la luce resta al livello di intensità scelto e viene memorizzata nella funzione Dim.

Cliccando invece per tre volte in sequenza si ottiene la funzione "Automatic Dim". Un sensore registra la luminosità presente nell'ambiente circostante e vi adatta la luce della SE07R. In questa modalità viene ridotta la luce emessa dalla torcia quando ad esempio illuminate oggetti presenti in prossimità. Viene quindi ridotto il rischio di abbagliare qualcuno o di riflettere troppa luce verso sé stessi se si utilizza la torcia p.es. in un ambiente di lavoro. Se inquadrare tuttavia oggetti distanti o la luce naturale viene meno, l'intensità della luce della torcia aumenta. L'ultima funzione disponibile è Signal (un lento lampeggiamento regolare). Partendo da torcia spenta ottenete Signal premendo quattro volte in sequenza e lasciando trascorrere non più di due secondi tra un click e l'altro. Cliccando una quinta volta Se07R si spegne e un sesto click riattiva la luce piena (Power). La successione delle funzioni è quindi a rotazione.

Se si lasciano trascorrere più di due secondi tra un clic e l'altro, un clic sull'interruttore spegne semplicemente la torcia. Partendo ad es. da "Automatic Dim" e cliccando una volta sull'interruttore dopo un lasso di tempo relativamente lungo non si ottiene Signal, bensì lo spegnimento della torcia.

5.2 Programma luminoso "Luce Rossa Notturna".

Attivando il programma "Luce Rossa Notturna" (vedi punto 5) avrete a disposizione la luce rossa della torcia. Premendo l'interruttore quando la torcia è spenta si attiva la funzione Power con intensità massima nella luce rossa. Cliccando una seconda volta in sequenza si attiva la funzione Signal (un lampeggio lento e regolare). Al terzo click la SE07R si spegne e con un quarto click si riparte dalla funzione Power rossa.

In tal modo anche qui la successione delle funzioni è circolare. Anche nel programma "Luce Rossa Notturna" la SE07R viene spenta se sono trascorsi più di due secondi dal click precedente. Quindi dalla funzione Power cliccando sull'interruttore la torcia si spegne, se dal click precedente sono trascorsi più di due secondi.

6. Energy Modes

Tramite la scelta di uno dei due Energy Modes disponibili (Energy Saving oppure Costant Current) scegliete in quale modo utilizzare l'elettricità immagazzinata nelle batterie ricaricabili o alcaline.

6.1 Energy Saving:

Tramite la Smart Light Technology (SLT) l'intensità luminosa viene modulata. La luminosità viene adattata alle normali modalità di utilizzo di una torcia e si ottiene quindi una maggiore autonomia di funzionamento.

6.2 Constant Current:

questa modalità consente l'utilizzo di tutte le funzioni con una intensità luminosa costante. Va utilizzata quando una luce intensa è da preferibile ad una grande autonomia.

Scelta degli Energy Modes:

Per passare da una modalità all'altra bisogna trovarsi in una qualsiasi funzione del programma a luce bianca, ad es. Signal (SE07R lampeggia in modo lento e regolare). Tener premuto l'interruttore per due secondi. La torcia si spegne, dopo un breve attimo si riaccende e poi si spegne di nuovo, spegnendosi di colpo oppure lentamente. Quando si spegne di colpo significa che è passata all'Energy Mode Costant Current; quando si spegne lentamente l'Energy Mode attivato è l'Energy saving.

Con questa procedura passate da un Energy Mode all'altro. Non è possibile capire in altro modo in quale Energy Mode si trovi la SE07R. Va eseguita la procedura descritta. Nel caso la SE07R risulti non trovarsi nell'Energy Mode desiderato, la procedura va ripetuta.

7. Sicura per il trasporto, "Transport Lock".

Al punto 5 è descritto il passaggio dal LED a luce bianca al LED a luce rossa. Il passaggio si ha da torcia spenta tenendo l'interruttore premuto per circa due secondi. La torcia passa a quel punto da luce bianca a rossa o viceversa. Se però tenete premuto più a lungo, e cioè per circa 5 secondi o comunque fino a che la luce non si spegne, attivate così la sicura per il trasporto. La SE07R a questo punto non si accende più. Premendo l'interruttore si limita a lampeggiare rosso. In questo modo si evita che si accenda per errore durante il trasporto sprecando la corrente contenuta nella batteria. Solo tenendo premuto l'interruttore per altri cinque secondi la sicura viene disattivata e la torcia si può riaccendere nel programma a luce bianca.

8. Reset

Quando vengono rimosse le batterie, che si tratti del pacchetto ricaricabile in dotazione, delle batterie ricaricabili NiMH o di batterie alcaline, la SE07R viene resettata. Alcune funzioni vengono cioè disattivate in automatico:

- La sicura per il trasporto, Transport Lock (punto 7)
- La funzione Dim funziona ad intensità ridotta (punto 5.1)
- Come Energy Mode è attivo da quel momento Energy Saving (punto 6)
- La torcia si viene a trovare nel programma a luce bianca (punto 5.1).

9. Ricarica

Quando la batteria ricaricabile della SE07R è quasi scarica il LED rosso lampeggia. Vi preghiamo di provvedere alla ricarica in tempo. La ricarica va effettuata solo in ambienti asciutti e tramite l'unità di ricarica compresa nella confezione, oppure tramite una connessione USB (vedi sotto).

Le istruzioni che seguono sono valide solamente per gli accessori compresi nella confezione. Non è possibile ricaricare batterie di tipo diverso nella SE07R. Se utilizzate batterie ricaricabili tipo NiMH (punto 1), queste vanno ricaricate tramite caricatori esterni. Nella confezione della SE07R si trovano un cavetto e un'unità di ricarica che vanno collegati (a meno che non lo siano già). L'unità

di ricarica presenta una porta USB nella quale va inserito il relativo cavetto. L'altra estremità del cavo di ricarica (Micro-USB) va inserita nell'accumulatore della torcia (compreso nella confezione). Bisogna anzitutto aprire il vano batterie della SEO7R. L'accumulatore può essere ricaricato all'interno della torcia oppure può essere estratto per la ricarica. E' possibile ricaricare con gli accessori indicati solo l'accumulatore presente nella confezione. Come ultimo passo l'unità di ricarica va collegata alla corrente elettrica con l'apposito cavo (ingresso: 100V - 140V / 50Hz - 60Hz). Una volta terminato il ciclo di ricarica, che dura da due ad un massimo di tre ore, staccate l'unità di ricarica dalla presa di corrente e anche il cavetto USB quantomeno dall'accumulatore (Lato Micro-USB). L'accumulatore può restare tuttavia connesso alla rete elettrica anche quando è già carico, non vi sono contro indicazioni a questo proposito.

Anziché collegare il cavo di ricarica alla porta USB dell'unità di ricarica lo si può collegare anche alla porta USB di un computer (5V/900mA). La SEO7R si può ricaricare anche tramite la nostra ricarica da automobile provvista di porta USB (Led Lenser Car Charger art. 0380; accessorio opzionale). Si possono così utilizzare prese e accendisigari presenti in auto. Questo accessorio si adatta automaticamente a tensioni in ingresso disponibili quali 12V - 24V. Queste alternative possono tornare utili quando non vi sono prese di corrente a disposizione.

10. Indicatore di ricarica.

Quando ricaricate l'accumulatore della SEO7R tramite relativi cavo e unità di ricarica oppure tramite una porta USB (punto 9), il LED di stato indica rosso per poi passare a verde quando l'accumulatore è carico.

11. Sostituzione dell'accumulatore/batterie NiMH/batterie alcaline

Prima di estrarre le batterie spegnere per favore la torcia. La porta del vano batterie si trova sul fronte interno della torcia. All'altezza dell'interruttore si trova una linguetta in plastica. Spingendola verso l'alto col pollice è possibile aprire il vano batterie. Utilizzate a questo scopo anche i due incavi a sinistra e destra del vano batterie. Potete a questo punto estrarre l'accumulatore (oppure le batterie ricaricabili/alcaline) e inserirne uno nuovo.

Si possono utilizzare anche batterie ricaricabili NiMH o normali batterie alcaline. Con queste tuttavia non si può utilizzare l'unità di ricarica.

Le batterie vanno inserite nel verso corretto. Fate quindi attenzione alla polarità (+ e -) indicata sia sulle batterie ed accumulatore che nel vano batterie. Sussiste altrimenti il pericolo che le batterie vengano danneggiate o, in casi estremi, esplodano. L'accumulatore compreso nella confezione va ricaricato solamente col vano batterie originale oppure tramite una presa USB (punto 9). Effettuata la sostituzione il vano batterie va richiuso.

12. Fascia per la testa.

Nel caso la fascia non sia già infilata nella testa della torcia procedete per favore come segue:

Anzitutto fate scorrere l'estremità della fascia dotata di una linguetta di plastica attraverso l'asola sulla sinistra della torcia. Fate attenzione all'orientamento della scritta sulla fascia. Fate scorrere la fascia sul vano batterie e attraverso l'asola opposta. Questa estremità della fascia va poi fatta scorrere attraverso la stretta fessura centrale vicino alla chiusura a baionetta. A questo scopo la linguetta di plastica va fatta scorrere attraverso la fessura centrale composta da quattro ponticelli. A questo punto le due estremità della fascia sono collegate.

Attraverso l'asola della chiusura a baionetta la SEO7R può essere attaccata ad es. ad un passante della cintura o dello zaino. Tramite una seconda linguetta in plastica è possibile adattare la fascia alle dimensioni della testa.

13. Batterie e batterie ricaricabili.

Batterie non ricaricabili o ricaricabili di tipo diverso rispetto a quello standard presente in confezione non vanno ricaricati con l'unità in dotazione. Non utilizzate mai batterie non ricaricabili e ricaricabili in contemporanea. Cambiate sempre in contemporanea tutte le batterie che avete utilizzato fino a quel momento. Nella SEO7R utilizzate sempre solo l'accumulatore in dotazione oppure batterie alcaline (AAA/LR03/Micro 1,5VDC) oppure batterie ricaricabili NiMH (AAA/LR03/Micro 1,2VDC). Se non utilizzate la torcia per un periodo di tempo prolungato togliete per favore l'accumulatore o altre batterie per evitare danni che potrebbero insorgere. Batterie alcaline e batterie ricaricabili, una volta consumate, vanno rimosse e smaltite in accordo alle normative vigenti nel Paese di residenza.

In generale batterie, in particolare se al litio e ricaricabili, vanno smaltite solo una volta scariche e tramite canali abilitati. Inoltre vanno prevenuti corti circuiti coprendo i contatti con nastro adesivo non conduttore. Bisogna evitare in generale, sia per batterie ricaricabili che non ricaricabili, che si giunga ad un corto circuito. Le batterie non devono essere aperte, non vanno ingerite o gettate nel fuoco.

14. Pulizia.

Per la pulizia utilizzare un panno pulito che non rilasci particelle di tessuto. Nel caso la torcia entri in contatto con acqua salata bisogna asciugarla accuratamente con un panno di questo tipo.

La fascia si può lavare in lavatrice a 30°C.

15. Accessori

La SEO7R compresa di fascia elastica viene consegnata coi seguenti accessori:

- 1 unità di ricarica e cavo
 - 1 cavo per la connessione tra unità di ricarica e accumulatore
 - 1 accumulatore
 - 1 istruzioni
- Altri accessori sono in fase di studio. Sul nostro sito Internet potete trovare informazioni sugli accessori non compresi in confezione.

16. Attenzione

Non inghiottire piccole parti della torcia o le batterie. La torcia e i relativi componenti incluse le batterie sono da conservare al di fuori della portata dei bambini. Il prodotto, conformemente alle sue certificazioni relative a sicurezza e utilizzo (CE) non deve essere manipolato o modificato. Va utilizzato solo come torcia alimentata a batterie o batterie ricaricabili (accumulatori). Se l'articolo viene utilizzato per scopi diversi da quelli per i quali è stato concepito può danneggiarsi, e a quel punto non è più garantito un suo impiego privo di rischi (rischi dovuti a incendio, corto circuito, scosse elettriche etc.). Non viene riconosciuta a quel punto alcuna responsabilità in merito a danni a cose o persone, e non vale più nemmeno la garanzia del produttore. La torcia si può utilizzare con una temperatura variabile da -20°C a +50°C. Per favore utilizzare e conservare l'articolo in modo che non venga esposto a temperature estreme, forti scosse o urti, atmosfere esplosive, acidi o vapori corrosivi. Andrebbe evitata anche l'esposizione prolungata ai raggi solari, forte umidità o acqua.

Modifiche, interventi di riparazione o manutenzione che vanno al di là da quanto specificato in questo documento possono essere effettuate solo da personale autorizzato e competente.

Nel caso il prodotto sia dotato di batterie cariche, inserite nel giusto senso di polarità, chiuso a regola d'arte, e tuttavia non funzioni o mostri delle difettosità, questo allora va spento e non più utilizzato. Rivolgetevi al negoziante presso il quale è stato acquistato per far valere la regolare garanzia.

17. Norme di sicurezza.

- Non è un giocattolo per bambini
- A causa di parti piccole che potrebbero essere ingerite non è adatta per l'utilizzo da parte di bambini al di sotto dei cinque anni.
- Non può essere utilizzato per ispezioni oculari, ad es. il cosiddetto test delle pupille.
- Durante l'utilizzo va evitato un eventuale surriscaldamento che potrebbe verificarsi ad es. ricoprendolo.
- In caso di malfunzionamento va anzitutto verificato che batterie o accumulatore non siano scariche e siano inseriti secondo la polarità corretta.
- Nel caso di utilizzo in ambiente urbano e su strada rispettate per favore le normative vigenti.

La principale controindicazione relativa a questo prodotto inerente l'irradiazione ottica è quella per luce blu (400nm fino a 780nm). I valori restano inferiori rispetto a quelli relativi al rischio termico.

La pericolosità per chi osserva dipende dall'utilizzo oppure dal posizionamento del prodotto. Non vi è un'effettiva pericolosità per la vista finché normali reazioni istintive riducono l'esposizione alla luce e vengono seguiti gli accorgimenti qui elencati. Le reazioni riflesse vengono provocate dall'esposizione alla luce. Si intendono qui tutte le reazioni riflesse tese a proteggere l'occhio da una

eccessiva esposizione alla luce. Si tratta di reazioni quali muovere gli occhi o la testa, ad es. girandosi fuori portata del raggio luminoso.

Durante l'utilizzo va tenuto conto del fatto che tali reazioni riflesse possono essere impedito se la persona è sotto l'influsso di medicinali, droghe o malattie.

In caso di utilizzo improprio della torcia, la persona esposta alla luce della stessa e che ne rimanesse abbagliata può subire limitazioni temporanee alla vista (abbagliamento fisiologico) oppure disturbi della vista o sintomi di nausea o stanchezza (abbagliamento psicologico). L'intensità di questi disturbi e la durata delle manifestazioni dipendono dalla differenza di luminosità tra la fonte di luce abbagliante e l'ambiente circostante. In particolare le persone sensibili alla luce dovrebbero consultare un medico prima di utilizzare il prodotto. In generale va tenuto conto del fatto che intense fonti luminose hanno un forte potenziale di pericolo secondario grazie alla facilità di abbagliare. Esattamente come quando si fissa lo sguardo in altre fonti luminose con il faro di un'automobile, la riduzione della vista che ne consegue può condurre a irritazioni, incapacitamento, incidenti.

Le istruzioni e avvertenze valgono nel caso di utilizzo di un solo prodotto. Nel caso di esposizione contemporanea a più fonti di luce l'intensità della stessa può risultarne intensificata.

È assolutamente da evitare di fissare lo sguardo nel fascio luminoso sia nel caso che il prodotto sia dotato o privo di accessori atti a concentrare il fascio luminoso. In casi come questo vanno chiusi gli occhi e bisogna mettersi fuori portata dal fascio luminoso stesso.

In caso di utilizzo per lavoro o utilizzo in luogo pubblico, l'utente dev'essere preventivamente informato in merito alle normative eventualmente vigenti.

Importanti regole di comportamento:

Non puntare il fascio luminoso direttamente negli occhi di persone astanti. L'utente o altri astanti non devono puntare lo sguardo direttamente nel fascio luminoso. Se gli occhi vengono colpiti dal fascio luminoso vanno chiusi e ci si deve mettere fuori portata dal raggio stesso.

Le istruzioni per l'uso comprese di questi consigli vanno conservate unitamente alla torcia e devono accompagnarla anche in caso che questa venga ceduta a terzi. Evitare di guardare nel fascio luminoso emesso dall'articolo.

Onnittelemme laatutuotteen hankinnasta! Käyttöohjeet opastavat sinua uuden laitteen käytössä. Lue kaikki laitteen mukana tulevat ohjeet ennen ensimmäistä käyttökertaa. Säilytä ohjeita huolellisesti ja luovuta ne laitteen mukana seuraavalle omistajalle. Näin varmistetaan, että uusi käyttäjä oppii käyttämään tuotteen kaikkia toimintoja mahdollisimman helposti ja nopeasti. Noudata varoituksia ja turvaohjeita. Hävitä pakkausmateriaalit asianmukaisesti.

Tuote

6007-R, LED LENSER® SEO 7R
6107-R, LED LENSER® SEO 7R (kuplapakkaus)

1. Akkusarja:

- 1 x akkuyksikkö (kuuluu toimitukseen sekä 6007-R ja 6107-R) tai
- 3 x alkaliparisto AAA/LR03/Micro (1,5 V DC) (kuuluu 6107-R) tai
- 3 x NiMH-akku AAA/LR03/Micro (1,2 V DC) (ei kuulu toimitukseen)

2. Sytyttämisen/sammuttaminen

Kytkinpainike on SEO 7R -otsavalaisimen kotelon yläosassa, paristokotelon ja heijastinlinssin välissä. SEO 7R -valaisin syytetään kytkinpainikkeella. Sillä kytketään myös eri valo-ohjelmat ja -toiminnot (katso kohta 5) ja vaihdetaan valkoinen/punainen valo (katso kohta 5). Kytkimessä on esim. kuljetuksen ajaksi kytkettävä lukitusasento (katso kohta 7).

3. Valokeilan kohdistus

Lamppukotelon etuosassa alhaalla on heijastinlinssi, joka kohdistaa valkoisen LED-valon (katso kohta 5.1). Linssin ympärillä on muovinen rengas. Rengasta kiertämällä voit kohdistaa valokeilan nopeasti ja helposti. Valokeilan pikasäädön (ns. Speed Focus -toiminto) avulla voit säätää valkoisen valokeilan laajuutta portaattomasti. Voit säätää valokeilan kulmaa sivuttaisuunnassa valaisemaan joko lähi- tai kaukokohdetta. Tämä tehdään kääntämällä linssiosaa. Valokeila voidaan suunnata myös väliasentoihin.

4. SLT-valaisintekniikka (Smart Light Technology)

SEO 7R -valaisimessa hyödynnetään kehittämämme SLT-valaisintekniikkaa. Ledien valotehoa säädellään mikro-ohjaimella, joka ohjaa valo-ohjelmia ja -toimintoja. Yhdellä kytkimellä toimiva käyttöliittymä tekee valaisimen käytöstä helppoa. SEO 7R -valaisimessa on monipuoliset valokeilan säätömahdollisuudet. Siinä on kaksi energianhallintatilaa, kaksi valo-ohjelmaa ja lukuisia valotoimintoja. Valaisin kytketään päälle/pois etuosan kytkimellä, jolla myös valitaan eri valotoimintoja (katso kohta 2). Sisäinen ohjausyksikkö säätää SEO 7R -valaisimen kirkkautta.

5. Valo-ohjelmat ja -toiminnot

SEO 7R -valaisimessa on kaksi lediä (LED = Light Emitting Diode, valodiodi). Erittäin voimakas valkoinen LED-valo on

ihanteellinen peruskäytössä, kun tarvitaan valokeilan pikasäätöä tai valaisukulman säätöä. Valkoinen valo voi olla liian voimakas, jos silmät ovat tottuneet hämääseen. Tällöin voidaan käyttää punaista ledivaloa. Heijastinlinssin sivulla olevan punaisen ledivalon valokeilan laajuutta ja valaisukulmaa ei voi säätää. Kun SEO 7R on sammutettu, voit vaihtaa valkoisen ja punaisen ledivalon välillä painamalla kytkinpainiketta 2 sekunnin ajan. Valo vaihtuu punaisesta valkoiseksi tai päinvastoin. Vapauta painike ennen valon sammumista: liian pitkä painallus lukitsee valon kuljetustilaan (katso kohta 7)! Seuraavissa kohdissa käsitellään valkoisen ledivalon (kohta 5.1, valkoinen valo-ohjelma) ja punaisen ledivalon (kohta 5.2, yönäkö-valo-ohjelma Red Night Vision) käyttöä.

5.1 Valkoinen valo-ohjelma

Valkoisen valo-ohjelman ollessa kytkettynä otsavalaisimen valkoinen kohdistettava valo on käytössä (katso kohta 5).

Kun kytkinpainiketta painetaan SEO 7R -valaisimen ollessa sammutettuna, käytössä on täysi valoteho (Power-valotoiminto). Jos painat painiketta toistamiseen 2 sekunnin kuluessa, SEO 7R -valaisin toimii alhaisemmalla valoteholla (Dim-himmennystoiminto). Kun painat painiketta kaksi kertaa 2 sekunnin aikana ja pidät toisella painalluskerralla painiketta pitkään alaspainettuna, valoteho säätyy portaattomasti. Valoteho vaihtelee täyden valotehon ja puolitehon välillä niin kauan kuin pidät painiketta alaspainettuna. SEO 7R -otsavalaisin sammuu (vilkkuu) hetken ajan, kun valoteho on kirkkaimmillaan tai alhaisimmillaan. Valotehon ääriarvoissa SEO 7R -valaisin sammuu hetkeksi, minkä jälkeen valoteho alkaa jälleen voimistua tai heikentyä (valo vilkkuu molemmista ääriarvoissa). Kun vapautat kytkinpainikkeen, senhetkinen valoteho kytkettyyn käyttöön. Himmennystoiminnon valoteho jää valaisimen muistiin, kun sammutat sen.

Himmennystoiminnon kytkemisen jälkeen (kytkinpainikkeen 3 nopean painalluksen jälkeen) käyttöön tulee automaattinen himmennystoiminto (Automatic Dim). Anturi tunnistaa ympäristön valomäärän ja säätää sen mukaan SEO 7R -valaisimen valon kirkkautta. Valotoiminto laskee valotehoa esimerkiksi silloin, kun tarkastelualue on lähietäisyydellä. Toiminto vähentää häikäisyvaaraa ja helpottaa työskentelyä esimerkiksi työpöydän ääressä. Vastaavasti otsavalaisimen valoteho kasvaa, kun kohdistat valon etäällä olevaan tarkastelualueeseen tai ympäristön valomäärä vähenee. Valkoisen valon valotoiminnosta järjestyksessä viimeinen on vilkkuvalotoiminto (Signal, tasaisin välein vilkkuva hidas vilkkuvalo). Kun SEO 7R -valaisin on sammutettuna, vilkkuvalotoiminto kytketään painamalla kytkinpainiketta 4 kertaa nopeasti (painallusten välinen tauko ei saa ylittää 2 sekuntia).

Jos painat kytkinpainiketta vielä kerran, SEO 7R -valaisin sammuu. Kun kytkinpainiketta painetaan tämän jälkeen toistuvasti, ohjelmat kytkettyvät em. järjestyksessä. Valotoiminnot kytkettyvät aina määrättyssä

järjestyksessä. Ota huomioon seuraava: valaisin sammuu, jos painat kytkinpainiketta yli 2 sekunnin kuluttua sen jälkeen, kun tietty valotoiminto on kytketty kytkinpainikkeella. Esimerkki: kytket automaattisen himmennystoiminnon (Automatic Dim) käyttöön. Tämän jälkeen painat kytkinpainiketta uudelleen yli kahden sekunnin kuluttua. Tällöin valo sammuu, eikä himmennystoiminto (Dim) kytkeydy käyttöön.

5.2 Yönäkö-valo-ohjelma, punainen valo (Red Night Vision)

Otsavalaisimen punainen valo on käytössä yönäkö-valo-ohjelmassa (katso kohtaa 5). Kun kytkinpainiketta painetaan SEO 7R -valaisimen ollessa sammutettuna, Power-valotoiminto kytkeytyy ja käytössä on punaisen ledin täysi valoteho. Jos painat painiketta toistamiseen 2 sekunnin kuluessa, SEO 7R-valaisimen vilkkuvalotoiminto kytkeytyy (tasaisin välein vilkkuva hidas vilkkuvalo). Vilkkuvalotoiminto (Signal) kytkeytyy järjestyksessä viimeisenä yönäkö-valo-ohjelman valotoiminnoista. Kun painat SEO 7R-valaisimen kytkinpainiketta kerran tämän jälkeen, valaisin sammuu. Seuraava kytkimen painallus kytkee käyttöön Power-täystehotoiminnon, minkä jälkeen toiminnot kytkeytyvät em. järjestyksessä peräkkäisillä kytkinpainikkeiden painalluksilla. Valotoiminnot kytkeytyvät aina määrättyssä järjestyksessä. Ota huomioon seuraava: valaisin sammuu, jos painat kytkinpainiketta yli 2 sekunnin kuluttua sen jälkeen, kun tietty valotoiminto on kytketty kytkinpainikkeella. Esimerkki: kytket täystehotoiminnon (Power) käyttöön. Painat kytkinpainiketta uudelleen yli kahden sekunnin kuluttua. Tällöin valo sammuu, eikä vilkkuvalotoiminto (Signal) kytkeydy käyttöön.

6. Energianhallintatilat

Energianhallintatiloja on kaksi: säästötila ja tasatehotila. Niillä määritetään akkuenergian kulloinkin käyttötapa.

1. Energiansäästötila: SLT-valaisintekniikka ohjaa valotehoa. Valotehoa voi säätää ympäristön valon määrän mukaan valaisimen normaalikäyttötilassa. Näin valaisimen käyttöaika on mahdollisimman pitkä.

2. Tasatehotila: Tässä energianhallintatilassa kaikkia valotoimintoja voi käyttää jatkuvasti ja vaihdella valotehon määrää. Tämä on suositeltava energianhallintatila, kun valon tehotaso on tärkeämpi kuin pitkä toiminta-aika.

Energianhallintatilan vaihtaminen

Jotta energianhallintatilaa voidaan vaihtaa, käytössä pitää olla jokin valkoisen valo-ohjelman toiminto, esim. vilkkuvalotoiminto (Signal-toiminto, jolloin SEO 7R vilkkuu tasaisin väliajoin). Paina nyt kytkinpainiketta ja pidä sitä alaspainettuna n. 2 sekunnin ajan. SEO 7R sammuu, ja hetken kuluttua se syyty uudelleen. Tämän jälkeen otsalampun valo joko sammuu heti tai himmenee vähitellen sammuen lopulta kokonaan.

Jos valo himmenee vähitellen, SEO 7R on energiansäästötilassa. Jos SEO 7R-valaisimen valoteho on ensin tasainen ja putoaa tämän jälkeen nolnaan, otsavalaisin on

tasatehotilassa.

Tätä menettelytapaa noudattamalla voidaan vaihtaa energianhallintatilasta toiseen. SEO 7R-valaisimen energianhallintatila ei ole erillistä ilmaisinta. Energianhallintatilan voi määrittää ainoastaan edellä kuvatus menettelyn mukaisesti. Jos SEO 7R ei menettelyn jälkeen ole halutussa energianhallintatilassa, toista menettely.

7. Lukitustila

Kohdassa 5 on kuvattu, miten joko valkoinen tai punainen valo kytketään käyttöön. Tämä tehdään sammuttamalla SEO 7R valaisin ja painamalla tämän jälkeen kytkinpainiketta noin 2 sekunnin ajan. Tällöin valo vaihtuu punaisesta valkoiseksi tai päinvastoin. Jos painiketta painetaan pidempään (n. 5 sekunnin ajan) niin kauan, että valo sammuu, valaisimen lukitustoiminto (Transport Lock -kuljetustila) kytkeytyy. Tässä tilassa SEO 7R-valaisinta ei voi kytkeä käyttöön. Jos kytkinpainiketta painetaan tässä tilassa, punainen ledi välkkyvät hetken lukitustoiminnon osoituksena. Tässä tilassa SEO 7R -valaisinta ei voi kytkeä päälle tarkoituksella eikä tahattomasti. Lukitustila voidaan kytkeä pois käytöstä painamalla kytkinpainiketta 5 sekunnin ajan yhtäjaksoisesti, jolloin valkoinen valo-ohjelma kytkeytyy käyttöön.

8. Nollaustoiminto

SEO 7R-valaisin nolataan poistamalla akkuyksikkö, alkaliparistot tai NiMH-akut paristokotelosta. Tämä palauttaa seuraavat toimintojen alkutilat:

- Lukitustila (katso kohtaa 7) kytkeytyy pois käytöstä.
- Himmennystoiminto (katso kohtaa 5.1) asettuu alimmalle valoteholle.
- Energianhallintatilan energiansäästötila on käytössä (katso kohtaa 6).
- Valkoinen valo-ohjelma (katso kohtaa 5.1) kytkeytyy käyttöön.

9. Lataaminen

SEO 7R-valaisimen punaisen ledin vilkkuminen osoittaa, että akkujen tai paristojen varaus on vähäinen ja loppuu pian. Muista ladata akut aina ajallaan. Vaihda SEO 7R -valaisimen akkuyksikkö kuivassa paikassa. Käytä lataukseen ainoastaan valaisimen mukana toimitettua latauslaitetta, tai lataa valaisin USB-liitännän kautta (katso lisätietoja ohessa). Seuraavat tiedot koskevat ainoastaan valaisimen mukana toimitettuja varusteita. SEO 7R -valaisimessa ei voida ladata muita kuin toimituksessa mukana olleita akkuja. Jos käytät NiMH-akkuja (katso kohtaa 1), ne täytyy ladata hyväksytyllä ulkoisella latauslaitteella.

SEO 7R-valaisimen toimitukseen kuuluu latauslaite ja -pistoke. Jos niitä ei ole kytketty valmiiksi, kytke ne siten, että kuulet napsahduksen.

SEO 7R -valaisimen latauslaitteessa on USB-liitäntä, johon USB-kaapelin pistoke kytketään akkuyksikön latauksen ajaksi. Toinen USB-kaapelin pistoke (micro USB) kytketään valaisimen mukana toimitettuun akkuyksikköön. Paristokotelo pitää avata latauspistokkeen kytkemistä varten.

Akkuyksikkö voidaan ladata kahdella tavalla: se voi olla latauksen aikana joko SEO 7R -valaisimen paristokotelon sisällä tai poistettuna paristokotelosta. Latauslaitteella saa ladata ainoastaan valaisimen mukana toimitettua akkuyksikköä. Viimeiseksi kytketään latauslaitteen pistoke pistorasiaan (jännite: 100–240 V / 50–60 Hz). Kun akku on ladattu täyteen (enintään 2–3 tunnin kuluttua), irrota ensin latauslaitteen verkkovirtapistoke pistorasiasta ja tämän jälkeen latauskaapelin (micro USB -liitin) akkuyksiköstä. Akkuyksikön lataaminen tätä pidempään ei vaurioita akkuja.

Voit myös kytkeä USB-latauskaapelin esim. tietokoneen USB-liitäntään (5 V / 900 mA) sen sijaan että kytkisit sen latauslaitteeseen. SEO 7R -valaisin voidaan myös ladata ajoneuvon tupakansytytinliitäntästä tai lisälaitteepistorasiasta valaisimen lisälaitteena saatavalla USB-latauslaitteella (Led Lenser -autolaturi: tuotenumero 0380). Lisävarusteet käyttävät automaattisesti oikeaa tulojännitettä (12 V / 24 V). Jos verkkovirta-pistorasiasta ei ole käytettävissä, akkuyksikkö voidaan ladata näillä vaihtoehtoisilla latausmenetelmillä.

Huomaa: Varmista, etteivät latauskoskettimet joudu oikosulkuun. Latauskoskettimet eivät saa joutua kosketuksiin sähköä johtavan nesteen tai metalliesineen kanssa.

10. Latauksen osoitus

Jos lataat SEO 7R -valaisimen akkuyksikköä valaisimen omalla latauslaitteella ja -kaapelilla USB-liitäntään kautta (katso kohta 9), punainen merkkivalo osoittaa akun latautuvan. Kun akkuvaraus on täynnä, osoitus vaihtuu vihreäksi.

11. Akkuyksikön/NiMH-akkujen/alkaliparistojen vaihtaminen

Sammuta SEO 7R-valaisin ennen akkujen/paristojen vaihtamista. Paristokotelon kansi on valaisinrunгон leveällä sivulla. Kytkinpainikkeen vieressä on muovinen läppä. Kun painat läppää varovasti esim. peukalolla, voit avata paristokotelon kannen kytkinpainikkeen vasemalla ja oikealla puolella olevien syvennysten avulla. Poista akkuyksikkö (alkaliparistot/NiMH-akut) ja vaihda se/ne.

Voit käyttää NiMH-akkuja tai alkaliparistoja. Tässä tapauksessa et voi käyttää valaisimen latauslaitetta!

Aseta akkuyksikkö aina oikeassa asennossa paikalleen. Ota huomioon akkujen/paristojen napaisuus (+ ja -). Tarkasta akkuyksikön / NiMH-akkujen / alkaliparistojen napaisuus. Väärin asennetut akut/paristot voivat vaurioitua tai jopa räjähtää. Valaisimen mukana toimitettua akkuyksikköä saa ladata ainoastaan valaisimen omalla latauslaitteella tai USB-liitäntään kautta (katso kohta 9)! Kun olet vaihtanut akut/paristot, sulje akkukotelon kansi.

12. Otsanauha

Jos nauhaa ei ole kiinnitetty otsavalaisimeen, menettele seuraavasti.

Työnnä nauhan päässä oleva litteä muoviosa lamppukotelon vasemalla sivulla olevan aukon läpi etupuolelta valaisimen taakse. Aseta nauha siten, että siinä oleva teksti on oikein päin. Vedä nauha akkukotelon kannen päältä sen toisella sivulla olevan aukon läpi ja vedä se valaisinrunгон etupuolelle.

Vedä tämä pää nauhan toisessa päässä olevan muovisen kiinnittimen aukon läpi. Vedä litteä muoviosa kokonaan aukon läpi 4 puristuskappaleen oh.

Nyt voit vetää nauhan kokonaan kiinnittimen aukon läpi ja kytkeä nauhan päät toisiinsa. SEO 7R -valaisin voidaan kiinnittää kiinnittimen aukosta esimerkiksi vyöhön tai reppuun kuljetuksen ajaksi.

Nauh kolmannen muoviosan avulla nauhan pituutta voi säätää päähän sopivaksi.

13. Ladattavat akut

Akkulaturissa saa ladata ainoastaan laitteen mukana toimitettua akkuja. Muiden ladattavien akkujen lataaminen on kielletty. Älä koskaan käytä laitteen omia akkuja ja muita ladattavia akkuja tai paristoja samanaikaisesti. Vaihda aina kaikki paristot tai ladattavat akut samanaikaisesti. Käytä SEO 7R -valaisimessa ainoastaan akkuyksikköä (mukana toimituksessa), alkaliparistoja AAA/LR03/ Mikro (1,5 V DC) tai NiMH-akkuja AAA/LR03/ Mikro (1,2 V DC).

Jos lamppua ei käytetä se on varastoituna pidemmän aikaa, poista akkuyksikkö tai NiMH-akut/alkaliparistot valaisimesta, jotta lamppu ei vaurioidu.

Käytetyt paristot ja akut täytyy ottaa pois valaisimesta ja hävittää käyttömaan määräysten mukaisesti.

Kun litium-akut poistetaan käytöstä, niiden varauksen on oltava täysin purkautunut, ja käytöstäpoistossa on noudatettava teknisiä määräyksiä. Ennen hävittämistä peitä paristojen/akkujen navat teipillä, jotta ne eivät joudu oikosulkuun.

Paristojen ja akkujen oikosulku täytyy estää, akkuja ei saa avata eikä polttaa, eivätkä ne saa joutua ihmisen elimistöön.

14. Puhdistaminen

Käytä puhdistuksessa kuivaa, nukkaamatonta liinaa.

Jos otsavalaisimen päälle on roiskunut suolavettä, kuivaa se välittömästi.

Nauha voidaan pestä pesukoneessa 30 °C:een lämpötilassa.

15. Toimitukseen kuuluvat osat

Nauhallisen SEO 7R -otsavalaisimen toimitukseen kuuluvat seuraavat varusteet: 1 x latauslaite + -pistoke 1 x latauskaapeli, jolla liitin voidaan kytkeä akkuyksikköön 1 x akkuyksikkö 1 x käyttöopas

SEO 7R -valaisimeen on jatkossa saatavana muita lisävarusteita. Katso lisätietoja toimitusvarusteista ja lisävarusteista valmistajan internetsivustosta.

16. Varoitus

Estä laitteen pienten osien tai paristojen/akkujen nieleminen. Tuotetta ja sen osia (paristot/akut mukaan lukien) pitää säilyttää lasten ulottumattomissa.

Laitteen rakenteeseen ja/tai sen osiin ei saa tehdä muutoksia, jotka vaikuttavat käyttöturvallisuuteen tai CE-hyväksyntään. Tätä laitetta saa käyttää ainoastaan akku-/paristokäyttöisenä valaisimena. Jos SEO 7R -valaisinta käytetään johonkin muuhun tarkoitukseen tai jos sitä käytetään ohjeen vastaisesti, se voi vaurioitua, eikä laitteen käyttöturvallisuutta voida taata (tulipalon, oikosulun tai sähköiskun vaara jne.). Tässä tapauksessa laitteen käyttöturvallisuutta henkilö- ja esinevahinkojen varalta ei voida taata. Ohjeiden vastainen käyttö kumoaa myös valmistajan takuun.

SEO 7R -valaisimen käyttölämpötila on -20C° – +50 C°. Varmista, että SEO 7R -valaisinta ei käytetä erittäin kylmässä tai kuumassa lämpötilassa eikä räjähdysalttiissa ympäristössä, eikä se saa altistua voimakkaalle tärinälle, liuottimille ja/tai höyrystyneille kemikaaleille.

Vältä myös jatkuvaa säilytystä suorassa auringonvalossa sekä altistumista kosteudelle ja/tai vedelle.

Ainoastaan valtuutettu huoltohenkilöstö saa tehdä muita kuin tuotteen mukana tulevassa dokumentaatiossa kuvattuja vaihto-, korjaus- ja huoltotoimia.

Jos laiteessa on normaalissa varaustilassa olevat, (napaisuuden huomioiden) oikein päin asennetut paristot/akut ja valaisimen kotelo on täysin suljettu, mutta tuotteen käyttöturvallisuuden havaitaan heikentyneen tai siinä havaitaan vaurioita, laite pitää tehdä käyttökelvottomaksi ja poistaa käytöstä. Ota takuuasioissa yhteyttä jälleenmyyjään.

17. Turvallisuusohjeet

- Laitetta ei saa antaa lasten käyttöön.
- Laitteessa on pieniä osia, joita lapset voivat vahingossa niellä, eikä laite saa jäädä alle 5-vuotiaiden ulottuville.
- Laitetta ei saa käyttää silmätutkimuksiin (esim. ns. pupillitestissä).
- Älä peitä laitetta, ettei se kuumene.
- Jos laite ei toimi oletetulla tavalla, tarkista ensin paristojen/akkujen varaus ja asennussuunta.
- Jos käytät laitetta paikassa, jossa on ajoneuvoliikennettä, noudata tätä koskevaa lainsäädäntöä.

Suurin laitteen aiheuttama terveystarve aiheutuu optisesta säteilystä ja sinisestä aallonpituudesta (400–780 nm). Laite alittaa selkeästi terveystarvearallisen lämpötilankynnysarvot.

Näköaistin vaarantumisen mahdollisuuteen vaikuttaa laitteen asennustapa. Laite ei aiheuta vaaraa näköaistille, jos laitteen suositeltua altistusajaa ei ylitetä ja tämän käyttöohjeen tietoja noudatetaan.

Valolle altistuminen aiheuttaa suojautumisreaktion, millä tarkoitetaan reaktioita, jolla ihminen suojautuu valosäteilyn aiheuttamilta vaurioilta. Tämä tarkoittaa

tiedostamattomia ja tietoisia reaktioita (esim. silmien sulkeminen, pois päin kääntyminen).

Laitetta käytettäessä on tärkeää muistaa, että joidenkin henkilöiden kyky suojautua valolta voi olla heikentynyt esim. lääkkeiden tai sairauden vuoksi.

Tuotteen aiheuttama sokaisuefekti voi aiheuttaa väärinkäytettynä hetkellisiä näköhäiriöitä (sokaistumisen) tai jälkikuvia, tai se voi aiheuttaa pahoinvointia tai väsymystä. Hetkellisen pahoinvoinnin voimakkuus riippuu ensisijaisesti ympäristön ja sokaisevan valolähteen valotehon määrän erosta. Erityisesti valoherkkien ihmisten tulisi kysyä neuvoja lääkäreiltä ennen laitteen käyttämistä. Periaatteessa voimakkaiden valolähteiden toissijainen vaarapotentiaali on suuri niiden sokaisevan vaikutuksen vuoksi. Hetkellinen näköhäiriö ja jälkikuvat, joita voi muodostua samalla tavoin kuin katsottaessa muihin kirkkaisiin valoihin (esim. auton ajaloihin) voivat tilanteesta riippuen aiheuttaa pahoinvointia, näön heikkenemistä ja jopa onnettomuuden.

Tämä tieto koskee yksittäisen tuotteen käyttöä. Jos useita samantyyppisiä valolähteitä käytetään samanaikaisesti, niiden häikäisyvoima voi olla suurempi.

Käyttäjän ja muiden henkilöiden tulee periaatteessa välttää pitkäaikaista altistumista eikä esim. katsoa suoraan tätä (yksittäistä tai useampaa) valolähdettä! Sen sijaan häikäistymistä pitää välttää sulkeamalla silmät tai kääntämällä pää pois päin valolähteestä.

Jos tuote on kaupallisessa käytössä tai viranomaiskäytössä, käyttäjää pitää opastaa laitteen käyttöön voimassa olevan lainsäädännön mukaisesti.

Tärkeitä laitteen käyttöön liittyviä ohjeita:

- Älä suuntaa valoa koskaan suoraan silmiin.
- Käyttäjä tai muut henkilöt eivät saa katsoa suoraan valonlähteeseen.
- Jos valonsäde osuu silmiin, silmät pitää sulkea ja kääntää pää pois päin valonlähteestä.
- Laitteen käyttöopasta ja tätä tiedotetta pitää säilyttää huolellisesti, ja ne pitää luovuttaa laitteen mukana.
- Älä katso suoraan tämän laitteen tuottamaa valoa.

Vi är glada över att du har köpt en av våra produkter.

Den här bruksanvisningen hjälper dig att bekanta dig med ditt nya inköp. Alla dokument som medföljer produkten måste läsas uppmärksam innan du använder produkten, hållas i bra skick och om produkten överläts till en tredje part måste dokumenten också lämnas över. Detta garanterar största möjliga nytta av produkten och användaren får svar på frågor innan produkten används. Följ framför allt alla varningar och säkerhetsinstruktioner och se till att du kasserar förpackningsmaterialet på ett korrekt sätt.

Produkt

6007-R, LED LENSER® SEO 7R

6107-R, LED LENSER® SEO 7R (Blister)

1. Batteriset:

- 1 x Ackumulatörpack (ingår i leveransen för 6007-R och 6107-R) eller
- 3 x Alkaliska batterier AAA/LR03/Micro (1.5 V DC) (ingår i leveransen för 6107-R) eller
- 3 x NiMH-ackumulatör AAA/LR03/Micro (1.2 V DC) (ingår ej i leveransen)

2. Sätta på och stänga av

I den övre delen av pannlampans hölje, mellan batterifacket och delen med reflektorlinsen, sitter omkopplingsknappen. Med denna omkopplingsknapp sätter du på SEO 7R. Den används också för att aktivera de olika ljusprogrammen och ljusfunktionerna (se avsnitt 5) och för att växla mellan vitt ljus och rött ljus (se punkt 5). Dukan också aktivera Transportlåset (se punkt 7).

3. Fokusera

I det främre, smalare området på pannlampans hölje finns reflektorlinsen genom vilken ljuset för den vita LED-lampan (se punkt 5.1) fokuseras. Reflektorlinsen sitter fast med en plastring. Du kan rotera plasttringen med två fingrar för att på så sätt justera fokus snabbt och enkelt. Med detta så kallade Snabbfokus kan du justera vinkeln för den vita ljusstrålen konstant.

Beroende på om du vill lysa upp ett område på avstånd eller framför dig, kan du också justera ljusstrålens vinkel horisontellt. För att göra detta lutar du bara den del av pannlampan som innehåller reflektorlinsen och den vita LED-lampan. Visningen möjliggör även användning av mellanliggande positioner.

4. Smart Light Technology (SLT)

SEO 7R är utrustad med vår Smart Light Technology (SLT). Tack vare en mikroprocessor kan ljuseffekten i LED-lampan regleras och användaren kan använda olika ljusprogram och ljusfunktioner. Med en enda strömbrytare har det blivit möjligt att utforma ett enkelt och användarvänligt användargränssnitt. SEO 7R ger användaren ljus på olika sätt. Det finns därför två energilågen, två ljusprogram och ett antal ljusfunktioner tillgängliga. För att sätta på och stänga av pannlampan och för att välja de olika ljusfunktionerna måste omkopplingsknappen (se punkt 2) användas.

Ljusstyrkan i SEO 7R övervakas av den inbyggda temperaturregleringsenheten.

5. Ljusprogram och ljusfunktioner

I SEO 7R finns två LED-lampor (LED = Light Emitting Diode) installerade.

Den vita LED-lampan är mycket stark, perfekt för normal användning, till exempel för Snabbfokus eller justering av ljusstrålens vinkel horisontellt. Detta mycket starka vita ljus är inte lämpligt när dina ögon har ställt omsig på grund av s.k. mörkeradaption till svagt omgivande ljus. Till skillnad från när det vita ljuset används kvarstår ögats anpassning till svagt ljus när det röda ljuset från den andra LED-lampan används. Fokusering och inställning av horisontell ljusvinkel på den röda LED-lampan vid sidan av reflektorlinsen kan inte justeras.

För att växla mellan den vita och den röda LED-lampan, tryck in och håll ner omkopplingsknappen i två sekunder när SEO 7R är avstängd. Pannlampan växlar från rött till vitt eller från vitt till rött. Släpp sedan upp omkopplingsknappen innan ljuset slocknar. Om du trycker för länge på omkopplingsknappen aktiverar du Transportlåset (se avsnitt 7)! Punkterna nedanför beskriver ljusfunktionerna för den vita LED-lampan (Ljusprogram Vit/punkt 5.1) och den röda LED-lampan (Ljusprogram Rött mörkerseende/punkt 5.2).

5.1 Ljusprogram Vit

Om Ljusprogram Vit aktiveras (se punkt 5) kan du använda pannlampans vita, fokuserbara ljus. När omkopplingsknappen trycks in medan SEO 7R är avstängd, lyser pannlampan i Ljusprogram Effekt vid full ljusstyrka. När du trycker en andra gång inom två sekunder, lyser SEO 7R med lägre ljusstyrka (Ljusfunktion Dim). När du trycker en andra gång inom två sekunder men håller knappen intryckt, kan du ändra ljusstyrkan oändligt. Under tiden omkopplingsknappen är intryckt varierar ljusstyrkan mellan full och reducerad ljusstyrka. SEO 7R slocknar (blinkar) under ett ögonblick så snart den högsta eller lägsta ljusstyrkan har uppnåtts. Lampan släcks en kort stund och blir sedan ljusare eller mörkare (blinkande signal i bägge ändarna). Du läser aktuell ljusstyrka när du släpper upp omkopplingsknappen. Denna ljusstyrka hålls kvar för Ljusfunktion Dim även om du stänger av pannlampan. Efter Ljusfunktion Dim (sammanslagd tre snabba knapptryckningar) följer Ljusfunktionen Automatisk Dim. En sensor känner av ljusstyrkan i omgivningen och kan justera ljusstyrkan på SEO 7R. Om denna ljusfunktion är aktiverad, minskas ljusstyrkan om du t.ex. lyser upp föremål på nära håll. Detta minskar risken för bländning och underlättar vid t.ex. skrivbordsarbete. Om du lyser upp avlägsna föremål eller om omgivningen blir mörkare, ökar dock pannlampans ljusstyrka. Den sista ljusfunktionen i Ljusprogram Vit är Ljusfunktion Signal (långsam, jämn blinkning). Om SEO 7R är avstängd, når du funktionen genom att trycka på omkopplingsknappen fyra gånger och inte vänta längre än två sekunder mellan varje knapptryck. Ytterligare knapptryckstänger av SEO 7R och cirkeln startar om med Ljusfunktionen Effekt

när du trycker på omkopplingsknappen igen. Ljusfunktionerna går i en slinga. Men tänk på att du stänger av pannlampan med varje knapptryckom det har gått två sekunder efter det senaste knapptrycket. Om du till exempel låter det gå mer än två sekunder sedan du satte på ljusfunktionen Automatisk dim, ändras inte pannlampan vid nästa knapptryck till Ljusfunktion Dim. I stället stängs SEO 7R av.

5.2 Ljusprogram Rött mörkerseende

Om ljusprogrammet Rött mörkerseende aktiveras (se punkt 5) kan du använda pannlampans röda ljus.

När omkopplingsknappen trycks in när SEO 7R är avstängd lyser pannlampan i Ljusfunktion Effekt medfull ljusstyrka i rött. Om du trycker en gång till inom två sekunder, blinkar SEO 7R i Ljusfunktion Signal (långsam jämn blinkning). Ljusfunktionen Signal är den sista ljusfunktionen i ljusprogrammet Rött mörkerseende, så ytterligare tryckstänger av SEO 7R och cirkeln börjar om med Ljusfunktion Effekt när du trycker på omkopplingsknappen igen. Ljusfunktionerna går i en slinga. Men tänk på att du stänger av pannlampan med varje knapptryckom det har gått två sekunder efter det senaste knapptrycket. Om du till exempel låter det gå mer än två sekunder sedan du satte på Ljusfunktion Effekt, ändras inte pannlampan vid nästa knapptryck till Ljusfunktion Signal. I stället stängs SEO 7R av.

6. Energilägen

Genom att välja ett av två energilägen (Energispar och Konstant ström) kan du bestämma hur energin i ackumulatorn respektive batterierna ska användas.

1. Energispar: Ljusflödet regleras med hjälp av integrerad Smart Light Technology (SLT). Ljusstyrkan matchas mot verkliga förhållanden som uppstår under normal användning av lampan för att ge längre lystid.

2. Konstant ström: Detta energiläge tillåter kontinuerlig användning av alla ljusfunktioner med ett mer eller mindre konstant ljusflöde. Detta energiläge är att föredra när hög ljusstyrka är viktigare än lång lystid.

Ändra energiläge

För att ändra energiläge måste en av ljusfunktionerna i Ljusprogram Vit aktiveras, t.ex. Ljusfunktion Signal (SEO 7R blinkar långsamt och jämnt). Tryck in omkopplingsknappen och håll den intryckt i cirka två sekunder. SEO 7R stängs av och sätts på efter ett kort ögonblick. Därefter stängs pannlampan plötsligt av eller så går ljusstyrkan ned till noll.

Om ljusstyrkan går ned gradvis till noll, är SEO 7R i energiläget Energispar. Men om ljusstyrkan i SEO 7R förblir konstant under ett ögonblick för att sedan plötsligt gå ned till noll, befinner sig pannlampan därefter i energiläget Konstant ström.

Med denna procedur kan du växla mellan de två energilägena. Det är inte möjligt att avgöra i vilket energiläge SEO 7R är. För att ta reda på det måste du utföra proceduren. Om SEO 7R därefter inte befinner sig i önskat energiläge, måste du upprepa proceduren igen.

7. Transportlås

Under punkt 5 har vi beskrivit hur du växlar mellan den vita och den röda LED-lampan. Detta sker när SEO 7R är avstängd och omkopplingsknappen trycks in i endast cirka två sekunder. Pannlampan växlar från rött till vitt eller från vitt till rött. Om knappen trycks in längre (cirka fem sekunder) tills ljuset stängs av aktiveras Transportlåset. SEO 7R kan inte sättas på igen, men den röda LED-lampan blinkar under ett kort ögonblick för att visa att denna funktion är aktiverad om omkopplingsknappen trycks in. SEO 7R kan därför inte sättas på, varken avsiktligt eller oavsiktligt och av misstag förbruka energi. Om du trycker in och håller ner omkopplingsknappen i fem sekunder avaktiveras denna funktion (Transportlås) och lampan är i ljusprogram Vit.

8. Återställningsfunktion

Om ackumulatorpaketet, de alkaliska batterierna eller NiMH-ackumulatorerna avlägsnas från batterifacket har du "återställt" SEO 7R. Du har därmed återställt några funktioner:

- Transportlåset (se punkt 7) är avaktiverat
- Ljusfunktionen Dim (se punkt 5.1) ställs in till låg ljusstyrka
- Energiläget Energispar är aktiverat (se punkt 6)
- Ljusprogrammet Vit (se punkt 5.1) är aktiverat

9. Laddning

När den röda LED-lampan på SEO 7R blinkar betyder det att laddningen snart är slut. Ladda ackumulatorpaketet i tid. Ladda ackumulatorpaketet på en torr plats och endast genom att använda laddaren som ingår i leveransen eller via en USB-port (se nedan). Följande information gäller endast de inkluderade tillbehören. Du kan inte ladda några andra ackumulatorer eller batterier i SEO 7R. Om NiMH-ackumulatorer (se punkt 1) används, måste de laddas i godkända externa laddare.

I leveransen ingår ett uttag och en laddare. Om de inte är anslutna måste du ansluta dem. För att ladda ackumulatorpaketet måste laddarens USB-port anslutas till motsvarande port på den medföljande laddningskabeln. Den andra änden av laddningskabeln (mikro-USB) måste anslutas till ackumulatorpaketet som ingår i leveransen. Du måste därför öppna batterifacket. Det medföljande ackumulatorpaketet kan laddas på två sätt, antingen i batterifacket i SEO 7R eller genom att avlägsna det från batterifacket för laddning. Endast det medföljande ackumulatorpaketet kan laddas med laddaren. Det sista steget är att ansluta kontakten till ett eluttag (Ingång: 100 V till 240 V/50 Hz till 60 Hz). När laddningen är klar (efter högst 2-3 timmar) drar du ut laddaren från uttaget och laddningskabeln (mikro-USB) från ackumulatorpaketet. Det är inga problem med att fortsätta ladda ackumulatorpaketet fast det redan är fulladdat.

I stället för att ansluta laddningskabeln till USB-porten i laddaren, kan du också ansluta den till en annan USB-port (5 V/ 900 mA) t.ex. i en dator.

Om du använder USB-billaddaren (säljs separat) (Led Lenser billaddare: art. nr. 0380), kan SEO 7R även laddas vid cigarettändaren och andra uttag i fordon. Dessa tillbehörsenheter känner automatiskt av respektive inmatningsspänning (12 V / 24 V). Dessa alternativ är lämpliga för att ladda ackumulatorpaket om ett eluttag inte är tillgängligt.

Obs! – Se till att det inte blir kortslutning vid laddningskontaktarna. Laddningskontaktarna får inte vidröras med fuktiga föremål eller metallföremål.

10. Laddningsindikering

Om du laddar ackumulatorpaketet med motsvarande laddare och laddningskabel via en USB-port (se punkt 9), lyser status-LED-lampan på den i rött vid laddning och ljuset ändras till grönt när laddningen är klar.

11. Byta ackumulatorpack/NiMH-ackumulator/alkaliska batterier

Stäng av SEO 7R innan du påbörjar bytet. Locket till batterifacket sitter på den breda sidan av pannlampans hölje. Nära omkopplingsknappen finns en plastflik. Om denna flik trycks upp lite försiktigt t.ex. med tummen kan batterifackets lock vikas ned med hjälp av de små spårerna som finns till höger och vänster bredvid omkopplingsknappen. Du kan nu ta bort ackumulatorpaketet (alkaliska batterier/NiMH-ackumulatorer) och sätta i ett nytt.

Även NiMH-ackumulatorer och alkaliska batterier kan sättas in. Men då kan laddaren inte användas!

Det är viktigt att batterierna sätts in i rätt riktning. Tänk därför noga på polariteten (+ och -). Detta gäller både i batterifacket och på ackumulatorpaketet/NiMH-ackumulatorer/alkaliska batterier. Annars finns en hypotetisk risk att ackumulatorerna/batterierna skadas och kan explodera.

Det medföljande ackumulatorpaketet kan endast laddas om med originalladdaren eller med en USB-port (se punkt 9)! Efter bytet måste luckan till batterifacket stängas.

12. Pannband

Om pannbandet inte redan är monterat på lampenheten, gör följande. Träd änden på pannbandet med den smala plastbiten från framsidan genom öglan på vänster sida om pannlampans hölje. Lägg märke till riktningen på bokstäverna på pannbandet. Dra sedan pannbandet över locket på batterifacket till öglan på andra sidan av batterifacket och för igenom den till framsidan. Denna ände av pannbandet måste dras genom hålet bredvid clipset vid platsbiten på andra sidan av pannbandet. Detta förlängda hål har fyra små tvärslår genom vilka den smala plastbiten måste dras från sidan. På så sätt dras hela änden genom detta hål och bägge ändarna på pannbandet ansluts till varandra.

Genom att använda öglan på clipset kan SEO

7R till exempel fästas mot ett öra eller ett bälte eller en ryggsäck vid transport. Den tredje partdelen vid pannbandet kan användas för att justera pannbandets längd så att det passar olika huvuden.

13. Uppladdningsbara batterier/Ackumulatorer

Laddningsbara batterier eller ackumulatorer som inte är av samma typ som de som ingick i leveransen får inte laddas i laddaren. Använd aldrig icke-laddningsbara batterier och ackumulatorer tillsammans. Byt alltid alla icke-laddningsbara batterier och ackumulatorer samtidigt. I SEO 7R får endast ackumulatorpaketet (ingår i leveransen), alkaliska batterier AAA/LR03/Micro (1.5 V DC) eller NiMH-ackumulator AAA/LR03/Micro (1.2 V DC) användas.

Om du inte tänker använda produkten under en längre tid, ta då ut ackumulatorpaketet eller NiMH-ackumulatorerna/alkaliska batterierna för att undvika skador.

Använda batterier och ackumulatorer måste tas ut ur produkten och kasseras enligt nationella bestämmelser.

När det gäller kassering av batterier och särskilt litiumbatterier, ackumulatorer och ackumulatorpack är regeln att de endast får kasseras i urladdat skick och på ett tekniskt korrekt sätt. Före kassering ska du dessutom sätta på icke-ledande tejp över kontaktarna så det inte blir kortslutning. Risken att kortsluta ackumulatorer och batterier måste elimineras och de får varken öppnas, föras in i kroppen eller kastas i öppen eld.

14. Rengöring

Använd en torr, luddfri och ren trasa för rengöring. Om du spiller saltvatten på pannlampan måste vattnet omedelbart tas bort med en sådan trasa. Pannbandet kan tvättas i tvättmaskin i 30 °C.

15. Leveransomfattning

SEO 7R inkl. pannband levereras med följande tillbehör:
1 x Laddare plus kontakt
1 x Laddningskabel för att ansluta laddaren och ackumulatorpack
1 x Ackumulatorpack
1 x Bruksanvisning

Ytterligare tillbehör för SEO R7 håller på att utvecklas. Information om dessa extratillbehör finns på vår webbplats.

16. Försiktighet

Svälj inte smådelar eller batterier (ackumulatorer). Produkten och dess delar (inklusive batterier/ackumulatorer) måste förvaras utom räckhåll för barn. Av säkerhets- och godkännandeskäl (CE) får inte produkten modifieras och/eller ändras. Produkten får användas enbart som en ackumulator- eller batteridriven lampa. Om SEO 7R används för andra ändamål eller används felaktigt, kan den skadas och problemfri användning kan inte längre garanteras (risk för brand, kortslutning, elstöt

etc.). Det finns då risk för skada på person eller egendom och dessutom ogiltigförklarar tillverkarens garanti.

Temperaturområde där SEO 7R kan användas är -20 C° till $+50\text{ C}^\circ$. Se till att SEO 7R inte utsätts för höga temperaturer, kraftiga vibrationer, explosiv atmosfär, lösningsmedel och/eller ånga.

Undvik dessutom att utsätta lampan för direkt solljus, hög fuktighet och/eller fukt.

Ändringar, reparationer och underhåll utöver det som beskrivits i dokumentationen som medföljer produkten får endast utföras av behörig teknisk personal.

När det väl har fastställts att produkten innehåller laddade batterier/ackumulatorer isatta i rätt riktning (polaritet!) och att den har stängts av på ett korrekt sätt, men normal, säker användning trots detta inte är möjlig, måste produkten anses som obrukbar och får inte längre användas. I detta fall ska du av garantiskäl kontakta återförsäljaren.

17. Säkerhetsinstruktioner

- Denna produkt är inte en leksak för barn.
- Eftersom den innehåller små delar som kan sväljas, är den inte lämplig för personer under 5 år.
- Produkten får inte användas för undersökning av ögonen (t.ex. så kallade pupilltester).
- Undvik att utsätta produkten för värme, t.ex. genom att täcka över den.
- Om produkten inte fungerar korrekt, måste du först kontrollera om det beror på urladdade batterier/ackumulatorer och om dessa inte har satts i korrekt.
- Följ landets föreskrifter om produkten ska användas i trafik.

Den största faran med produkten när det gäller optisk strålning är risker med blått ljus (400 Nm till 780 Nm). Gränsvärdena för termisk fara har inte uppnåtts.

Risken beror på användningen eller på hur produkten installerats. Det finns dock ingen optisk fara så länge som bortvändningsreaktionerna begränsar tiden för exponering och så länge som informationen i denna bruksanvisning följs. Bortvändningsreaktionerna utlöses av exponeringen och med dem avses alla naturliga reaktioner som skyddar ögat från faror genom optisk strålning. Detta omfattar framför allt medvetna bortvändningsreaktioner såsom ögon- eller huvudrörelse (t.ex. att vända sig bort).

När produkten används, är det särskilt viktigt att ha i åtanke att bortvändningsreaktionerna hos personer mot vilka ljuset riktas kan vara försvagade eller helt åsidosatta på grund av mediciner eller sjukdom.

På grund av produktens förblindande effekt kan felaktig användning leda till reversibel, dvs. tillfällig försämring av synen (fysiologisk blindhet) eller efterbilder eller kan utlösa en sjukdomskänsla där man känner sig illamående och trött (fysiologisk blindhet). Intensiteten i den tillfälliga sjukdomskänslan

eller tiden tills den avtar beror främst på skillnaden i ljusstyrka mellan den förblindande ljuskällan och omgivningen. Särskilt fotokänsliga personer bör rådgöra med en läkare innan denna produkt används.

Som princip gäller att högintensiva ljuskällor innebär en stor sekundär riskpotential på grund av den bländande effekten. Precis som när man ser in i andra ljuskällor (t.ex. en bils strålkastare) kan en temporärt begränsad försämring av synen och efterbilder leda till irritation, obehag, försvagning och till och med olyckor, beroende på situationen.

Informationen gäller användningen av en enskild produkt. Om fler ljusemitterande produkter av samma eller annan typ används tillsammans, kan intensiteten i den optiska strålningen öka.

Varje längre ögonkontakt med strålningskällan från denna produkt av användare eller andra personer, med eller utan andra ljussamlade instrument, måste undvikas! Slut ögonen medvetet och vänd bort huvudet från ljusstrålen.

Vid kommersiell användning eller om produkten ska användas offentligt, måste användaren få instruktion om alla tillämpliga lagar och förordningar som gäller den enskilda användningen.

Viktiga förhållningsregler:

- Rikta inte strålen direkt mot en persons ögon.
- Användaren eller annan person får inte titta direkt in i ljusstrålen.
- Om optisk stålning träffar ögat, måste ögonen slutas avsiktligt och huvudet vändas bort från strålen.
- Bruksanvisningen och denna information måste förvaras på en säker plats och måste överlämnas tillsammans med produkten.
- Det är förbjudet att titta rakt in i ljusstrålen från produkten.

Těší nás, že jste se rozhodli pro výrobek naší firmy.

Abyste se mohli obeznámit se svým novým výrobkem, je zde uveden návod k použití. Všechny podklady přiložené k výrobku je nutné si před jeho použitím pozorně přečíst, uschovat je a při odevzdání výrobku třetí osobě je odevzdat spolu s ním. Slouží to i k tomu, abyste z výrobku měli maximální užitek, a mohli jste předcházet otázkám typickým pro uživatele. Proto obzvláště dodržujte výstražná a bezpečnostní upozornění a řádně zlikvidujte obalový materiál.

Doplňkové informace pro SEO s funkcí TEST IT

Vaše čelová svítilna LED LENSER SEO 7R s kat. č. 6107-R (kat. č. 6007-R: bez funkce TEST IT) je v balení vybavena naší takzvanou funkcí TEST IT. Tato funkce umožňuje prověřit jas svítliny, zatímco se SEO 7R ještě nachází v obalu. K provedení testu stačí jen jednoduše stisknout žluté tlačítko TEST IT na přední straně obalu. Během testu se nedívejte přímo do světla. Pomocí dvou kabelů je tlačítko TEST IT spojené s krytem baterií svítliny SEO 7R, které se musejí před prvním použitím odstranit. Pro odstranění tlačítka TEST IT a kabelů otevřete kryt baterií a vyjměte 3 x AAA baterie (za tím účelem i viz odstavec "Výměna bloků akumulátorů / akumulátorů NiMH / alkalických baterií" uvedený níže). Poté odstraňte oba kabely tlačítka TEST IT z krytu baterií tím, že za každý z nich zatáhnete, dokud se neuvolní. Poté vložte zpět do přihrádky baterií 3 x AAA baterie nebo akumulátory, přičemž je nutné dbát na správnou polaritu. Kryt baterií opět zavřete a obal i tlačítko TEST IT s kabely zlikvidujte v souladu s regionální legislativou.

Výrobek

6007-R, LED LENSER® SEO 7R
6107-R, LED LENSER® SEO 7R (blistr)

1. Sada baterií:

- 1 x blok akumulátorů (součástí dodávky u 6007-R a 6107-R) nebo
- 3 x alkalické baterie AAA/LR03/Micro (1,5 V DC) (součástí dodávky u 6107-R) nebo
- 3 x akumulátory NiMH AAA/LR03/Micro (1,2 V DC) (není součástí dodávky)

2. Zapnutí a vypnutí

V horní části krytu čelové svítliny SEO 7R mezi přihrádkou na baterie a částí s reflektorovou čočkou se nachází spínací tlačítko, pomocí něhož lze SEO 7R zapnout. Toto spínací tlačítko se používá i na výběr různých programů svícení a světelných funkcí (viz bod 5) a změnu z bílého na červené světlo (viz bod 5). Kromě toho lze pomocí něho aktivovat přepravní pojistku („Transport Lock“) (viz bod 7).

3. Ohnisko

V přední úzké oblasti krytu čelové svítliny se nachází reflektorová čočka, pomocí níž se svazuje světlo bílé LED diody (viz bod 5.1). Reflektorová čočka je držena plastovým kroužkem. Tento kroužek můžete otáčet dvěma prsty a tím rychle a jednoduše přestavit ohnisko. Toto takzvané Speed Focus umožňuje plynulé přestavení úhlu otevření bílého světelného paprsku.

V závislosti na tom, zda chcete osvětlit prostor v dále nebo přímo před sebou, můžete doplňkově k úhlu otevření přestavit i úhel světelného paprsku k horizontále. Za tím účelem můžete tu část čelové svítliny, v níž se nachází reflektorová čočka a bílá LED dioda, jednoduše sklopit. Díky aretací jsou možné i mezipolohy.

4. Smart Light Technology (SLT)

Svítilna SEO 7R je vybavena naší technologií Smart Light Technology (SLT). Použitím mikroovladače lze řídit intenzitu světla LED diody a uživatel může využívat různé programy svícení a světelné funkce. Použitím samostatného spínače je umožněno jednoduché a z hlediska uživatele přijatelné rozhraní. SEO 7R poskytuje uživateli světlo v různých intenzitách a různých typech. K dispozici jsou dva režimy energie, dva programy svícení a četné světelné funkce. Pro zapnutí a vypnutí čelové svítliny a zvolení různých světelných funkcí atd. se použije spínač, který je popsán pod bodem 2.

V zásadě platí, že jas svítliny SEO 7R je sledován zabudovanou jednotkou na kontrolu teploty.

5. Programy svícení a světelné funkce

V modelu SEO 7R jsou zabudovány dvě LED diody (LED = **dioda emitující světlo** (Light Emitting Diode)).

Bílá velmi silná LED dioda je určena pro běžné použití, pokud se má použít např. Speed Focus nebo přestavení úhlu. Toto velmi jasné bílé světlo nepřipadá v úvahu za okolnosti, pokud si vaše oči v důsledku takzvané adaptace na tmou zvykly na okolní světlo s nízkou intenzitou. Jinak než při použití bílého světla zůstává aktuální přízpůsobení se oči na osvětlení s nízkou intenzitou zachováno, pokud se použije červené světlo druhé LED diody. Ohnisko a úhel světla červené LED diody, která se nachází z boku vedle reflektorové čočky, nelze přestavit. Mezi bílou a červenou LED diodou měníte tak, že spínací tlačítko podržíte stisknuté cca 2 sekundy, pokud je svítilna SEO 7R vypnutá. Čelová svítilna změní světlo z červeného na bílé nebo z bílého na červené. Spínací tlačítko poté pusťte dříve, než zhasne světlo. Kdyby bylo spínací tlačítko stisknuté příliš dlouho, zaktivovala by se přepravní pojistka (viz bod 7)! Následující body se zabývají světelnými funkcemi, které lze použít s bílou LED diodou (program svícení „White“ / bod 5.1) a červenou LED diodou (program svícení „Red Night Vision“ / bod 5.2).

5.1 Program svícení „White“

Pokud je zaktivován program svícení „White“ (viz bod 5), máte k dispozici zaostřitelné světlo čelové svítliny.

Stiskne-li se spínací tlačítko, pokud je svítilna SEO 7R vypnutá, rozsvítí čelová svítilna ve funkci „Power“ s plnou intenzitou. Stisknete-li během cca 2 sekund tlačítko podruhé, budete mít k dispozici světlo s nízkou intenzitou (světelná funkce Low Power). Pokud chcete při tomto druhém zapnutí svítliny nejen jednoduše zapnout, v tom případě nestisknete spínací tlačítko jen jednou krátce, ale podržíte jej stisknuté, poté můžete plynule změnit jas. Během doby, kdy je spínací tlačítko stisknuté, se jas změnil v rozmezí od úplné svítivosti až

po redukovanou svítivost. Na obou koncových bodech svítidla SEO 7R jednou krátce zhasne, aby se poté rozjasnila nebo ztmavla. Jakmile spínací tlačítko pustíte, zaaretujete aktuální jas. Tento jas zůstane pro světelnou funkci „Dim“ (stmívání) zachován, i pokud čelovou svítidlu vypnete.

Pokud jste celkem třikrát rychle stiskli tlačítko, následuje po světelné funkci „Dim“ funkce „Automatic Dim“. Senzor zaregistruje jas prostředí a dokáže mu přizpůsobit jas svítidly SEO 7R. Je-li tato světelná funkce aktivní, sníží se např. jas tehdy, pokud na blízkou vzdálenost osvětlíte předměty. Zredukuje se tak riziko oslnění a usnadní se práce, např. za psacím stolem. Pokud však chcete osvětlit vzdálené předměty nebo pokud okolí ztmavne, jas čelové svítidly se zvýší.

V rámci programu svícení „White“ máte k dispozici světelnou funkci „Signál“ (pomale rovnoměrné blikání). Pokud je svítidlo SEO 7R vypnutá, nastaví se funkce „Signál“ tak, že svítidlu zapnete celkem 4x, mezi každým zapnutím však vždy počkáte asi 2 sekundy. Po dalším stisknutí se svítidlo SEO 7R vypne a opětovným stisknutím se opět aktivuje světelná funkce „Power“. Takto lze pořadí funkcí svítidly zopakovat.

Nezapomeňte však, že s každým stisknutím svítidlu SEO 7R vypnete, pokud od předcházejícího stisknutí uplynula delší doba než cca 2 sekundy. Např. pokud necháte uplynout více než 2 sekundy po zaktivování světelné funkce „Automatic Dim“ nenásleduje funkce „Signál“, ale svítidlo SEO 7R se vypne.

5.2 Program svícení „Red Night Vision“

Pokud je zaktivován program svícení „Red Night Vision“ (viz bod 5), máte k dispozici červené světlo čelové svítidly.

Stiskne-li se spínací tlačítko, pokud je svítidlo SEO 7R vypnutá, rozsvítí se čelová svítidla ve funkci „Power“ s plnou intenzitou červeným světlem. Stisknete-li tlačítko během cca 2 sekund znovu, budete mít k dispozici světelnou funkci „Signál“ (pomale rovnoměrné blikání) s červeným světlem.

Po dalším stisknutí se svítidlo SEO 7R vypne a opětovným stisknutím se opět aktivuje světelná funkce „Power“ červeným světlem. Takto lze pořadí funkcí svítidly i zde zopakovat.

I v programu svícení „Red Night Vision“ každým stisknutím spínacího tlačítka svítidlu SEO 7R vypnete, pokud od předcházejícího stisknutí uplynula delší doba než cca 2 sekundy. Např. pokud necháte uplynout více než 2 sekundy po zaktivování světelné funkce „Power“, nenásleduje funkce „Signál“, ale svítidlo SEO 7R se vypne.

6. Energetické režimy

Volbou jednoho ze dvou režimů „Energy Modes“ („Energy Saving“ nebo „Constant Current“) rozhodnete o tom, jak se bude používat energie uložená v akumulátoru, příp. použitých bateriích.

1. Energy Saving: Pomocí zabudované technologie Smart Light Technology (SLT) se ovládá intenzita svícení. Jas je nutné přizpůsobit reálným podmínkám vyskytujícím se při běžném používání svítidly a svítidla tak bude disponovat delší dobou svícení.

2. Constant Current: Tento režim „Energy Mode“ umožňuje nepřetržitě používání všech světelných funkcí s celkově konstantní intenzitou svícení. Nabízí se tehdy, pokud je vysoký jas důležitější než dlouhý čas svícení.

Změna režimů „Energy Modes“:

Pro změnu režimů „Energy Modes“ musí být v programu svícení „White“ aktivní funkce svícení „Signál“. Svítidlo SEO 7R bliká a spínací tlačítko musíte v takovém případě stisknout na dobu cca 2 sekundy. Čelová svítidla přestane blikat. Po krátké chvilí se znovu zapne a vzápětí se vypne nebo se pomalu sníží jas na nulu. Pokud se vypne náhle, nachází se podle toho v režimu „Energy Mode“ „Constant Current“. Jakmile se jas sníží pomalu na nulu, je zaktivován režim „Energy Mode“ „Energy Saving“.

Tímto postupem se přepíná mezi oběma režimy. Nedá se vyvolat informace, ve kterém režimu „Energy Mode“ se svítidlo SEO 7R nachází. Pokud to chcete zjistit, musíte provést následující postup. V případě, že by se svítidlo SEO 7R poté nenacházela v požadovaném režimu „Energy Mode“, musíte postup ještě jednou zopakovat.

7. Převravní pojistka / „Transport Lock“

Pod bodem 5 je uvedeno, jak lze provést změnu mezi bílou a červenou LED. To se provede tehdy, pokud při vypnuté svítidlo SEO 7R stisknete spínací tlačítko a podržíte ho jen cca 2 sekundy stisknuté. Čelová svítidla změní světlo z červeného na bílé nebo z bílého na červené. Budete-li však držet spínač déle (cca 5 sekund) stisknutý a sice tak dlouho, dokud světlo nezhasne, zaktivujete převravní pojistku („Transport Lock“). Poté už se svítidlo SEO R7 nedá zapnout, ale každé stisknutí tlačítka potvrdí jen krátkým červeným bliknutím. Takže už se nemůže omylem zapnout a nechtěně spotřebovávat energii.

Až když spínací tlačítko opět podržíte stisknuté 5 sekund, dojde k deaktivaci této funkce a svítidla se bude nacházet v programu svícení „White“.

8. Funkce Reset

Pokud vyjmete použitý blok akumulátorů, akumulátory NiMH nebo alkalické baterie,

svítidlu „vyresetování“ svítidly SEO 7R. Tak se vrátí do původního stavu několik funkcí:

- převravní pojistka / „Transport Lock“ (viz bod 7) je deaktivována
- světelná funkce stmívání Dim“ svítí se sníženým jasnem (viz bod 5.1)
- jako režim „Energy Mode“ je potom aktivní režim „Energy Saving“ (viz bod 6)
- program svícení „White“ (viz bod 5.1) je aktivní

9. Nabíjení

Svítidlo SEO 7R signalizuje blikáním červené LED diody, že bude brzo prázdná. Blok akumulátorů je nutné závčas nabít. Bloky akumulátorů svítidly SEO 7R nabíjejte pouze v suchém prostředí a jen pomocí nabíječky, která je součástí balení, příp. přes USB připojení. Následující informace se týkají jen příslušenství, které je součástí dodávky. Ve svítidlo SEO 7R nemůžete nabíjet jiné akumulátory a baterie! Pokud používáte akumulátory NiMH (viz bod 1), je nutné je nabíjet pouze pomocí externích

nabíječek, které jsou za tím účelem povoleny. V rozsahu dodávky vaší svítilny SEO 7R je síťová zástrčka a nabíječka, které, v případě, že ještě nebudou spojené, musíte spojit, aby do sebe zapadly.

Nabíječka svítilny SEO 7R má USB přípojku, která se pro nabíjení bloku akumulátorů svítilny musí spojit s příslušnou přípojkou dodaného nabíjecího kabelu. Druhou stranu nabíjecího kabelu (Micro-USB) spojte s blokem akumulátorů (součástí dodávky). Případně musíte kvůli tomu otevřít přihrádku na baterie svítilny SEO 7R. Blok akumulátorů lze poté nabíjet v SEO 7R nebo jej k nabíjení vyjměte. Nabíječkou se může nabíjet pouze blok akumulátorů, který je součástí dodávky. Jako poslední krok spojte síťovou zástrčku nacházející se na nabíječce se zásuvkou (vstup: 100 V až 240 V / 50 Hz až 60 Hz). Po ukončení procesu nabíjení (po max. 2 až 3 hodinách) vytáhněte nabíječku ze zásuvky a odpojte i nabíjecí kabel (Micro-USB) od bloku akumulátorů. Není však problematické ani to, pokud se blok akumulátorů nabíjí dále, i když je už nabitý na plnou kapacitu.

Místo připojení nabíjecího kabelu k USB přípojce nabíječky můžete jej připojit i k jiné USB přípojce (5 V / 900 mA), např. na počítači.

Prostřednictvím naší volitelně dostupné USB nabíjecí přípojky pro vozidla (Led Lenser Car Charger: kat. č. 0380) se SEO 7R může nabíjet i pomocí zapalovače cigaret a zásuvek ve vozidle. Toto příslušenství se automaticky přizpůsobí aktuálnímu vstupnímu napětí (12 V / 24 V). Tyto alternativy se nabízejí např. tehdy, pokud není k dispozici žádná zásuvka.

Upozornění – Ujistěte se, prosím, že na nabíjecích kontaktech nemůže dojít ke zkratu. Nesmíte se dotýkat nabíjecích kontaktů vlhkými nebo kovovými předměty.

10. Indikace nabití

Pokud blok akumulátorů svítilny SEO 7R nabijete příslušným nabíjecím kabelem a nabíječkou nebo přes USB přípojku (viz bod 9), svítí jeho stavová LED dioda. **11. Výměna bloku akumulátorů / akumulátorů NiMH / alkalických baterií**

Před výměnou baterií, akumulátorů svítilny SEO 7R vypněte.

Na široké straně krytu svítilny se nachází kryt přihrádky na baterie. Ve výši spínače se nachází plastový výběžek. Pokud jej opatrně např. palcem zatlačíte trochu nahoru, může se víko přihrádky na baterie vykloupat dolů. Použijte přitom malé rýhy, které se nacházejí vlevo a vpravo vedle spínacího tlačítka.

Nyní můžete vyjmout blok akumulátorů (příp. akumulátory NiMH / alkalické baterie.) a vložit nový.

Lze vložit i akumulátory NiMH nebo alkalické baterie. **Poté však nepoužívejte v žádném případě nabíječku!**

Při vkládání je vždy nutné zkontrolovat, zda se dodržela správná polarita. Proto je zapotřebí zkontrolovat póly baterií (+ a -) nejen v přihrádce na baterie, ale i na bloku akumulátorů / akumulátorech NiMH / alkalických baterií.

V opačném případě může vzniknout riziko, že se akumulátory/baterie poškodí, případně explodují.

Dodaný blok akumulátorů se může nabíjet pouze pomocí originální nabíječky nebo pomocí USB přípojce (viz bod 9)!

Po výměně je nutné přihrádku na baterie opět zavřít.

12. Hlavový pásek

Pokud hlavový pásek už není spojený se svítilnou, postupujte následujícím způsobem. Nejdříve navlékněte jeden konec hlavového pásku pomocí úzkého plastového uzávěru zepředu skrz oko na levé straně krytu čelové svítilny. Řiďte se přitom směřováním písma na hlavovém pásku. Pásek poté vedte přes kryt přihrádky na baterie k oku na druhé straně přihrádky na baterie a protáhněte jej směrem dopředu. Tento konec hlavového pásku se poté protáhne střední úzkou šterbinou vedle oka karabiny. Za tím účelem se úzkou stranou protáhne úzký plastový uzávěr otvorem ve středu, který je tvořen 4 malými můstky. Tak lze provléci kompletní konec otvorem vedle oka karabiny a oba konce hlavového pásku jsou navzájem spojeny.

Pomocí oka karabiny se dá svítilna SEO 7R při přepravě upevnit např. k poutku na opasku nebo k ruksaku.

Pomocí třetí plastové části na hlavovém pásku lze přestavit velikost hlavového pásku a přizpůsobit různým obvodům hlavy.

13. Akumulátory/baterie

Baterie, které nelze dobíjet nebo jiné akumulátory než dodaný typ bloku akumulátorů, se nesmějí nabíjet dodanou nabíječkou. Nikdy nepoužívejte společně akumulátory a baterie. Všechny akumulátory nebo baterie vyměňte vždy najednou. Ve svítilně SEO 7R používejte pouze dodaný blok akumulátorů, alkalické baterie (AAA/LR03/Micro 1,5 V DC) nebo akumulátory NiMH (AAA/LR03/Micro 1,2 V DC). Pokud výrobek delší dobu nepoužíváte, vyjměte blok akumulátorů nebo akumulátory NiMH nebo alkalické baterie, abyste zabránili škodám. Opatřované baterie a akumulátory je nutné vyjmout a zlikvidovat jako zvláštní odpad podle tuzemské legislativy.

Všeobecně pro likvidaci baterií, obzvláště lithiových baterií, akumulátorů a svazků akumulátorů platí, že smějí být odborně zlikvidovány pouze ve vybitém stavu. Doplňkově se před likvidací musí např. přelepením kontaktů nevodící lepicí páskou zabezpečit, aby nemohlo dojít ke zkratu.

V zásadě platí, že se musejí vyloučit zkraty baterií a akumulátorů a že se tyto nesmějí otvírat, dostat do těla ani házet do ohně.

14. Čištění

Na čištění používejte suchou a čistou utěrku, která nepouští vlákna.

Pokud se svítilna dostane do kontaktu se slanou vodou, okamžitě slanou vodu úplně odstraňte pomocí utěrky, která nepouští vlákna. Hlavový pásek lze prát v pračce při 30 °C.

15. Příslušenství

SEO 7R včetně hlavového pásku se dodává s následujícím příslušenstvím:

- 1 x nabíječka a zásuvka
- 1 x nabíjecí kabel pro spojení mezi nabíječkou a blokem akumulátorů
- 1 x blok akumulátorů
- 1 x návod k obsluze

Další příslušenství pro SEO 7R je v plánu. Na našich internetových stránkách se můžete informovat o tomto příslušenství, které je nad rámec rozsahu dodávky.

16. Pozor

Obsazené drobné díly nebo baterie/akumulátory nespoklněte. Tento výrobek nebo díly (včetně baterií/akumulátorů) je nutné ukládat mimo dosah dětí.

Výrobek se z bezpečnostních a schvalovacích důvodů (CE) nesmí přestavovat a/nebo měnit. Výrobek se smí používat pouze jako svítilna poháněná bateriemi, nebo akumulátory.

Použije-li se výrobek v rozporu s jeho účelem nebo neodborně, může se poškodit a už nelze zaručit jeho bezpečné používání (nebezpečí, požár, zkrat, zásah elektrickým proudem atd.) Při zranění osob a hmotných škodách poté neexistuje žádné ručení a zaniká i záruka od výrobce.

Teplotní rozsah, v němž se výrobek může provozovat, je od -20 °C do +50 °C. Zajistěte, aby výrobek nebyl vystavován extrémním teplotám, silným otřesům, výbušnému ovzduší, rozpouštědlům a/nebo výparům.

Je nutné zabránit i trvalému slunečnímu záření, vysoké vlhkosti a/nebo mokrému prostředí.

Změny, opravy a údržby, které přesahují pokyny uvedené v dokumentech přiložených k výrobku, smějí být prováděny pouze autorizovaným odborným personálem.

Pokud je zajištěno, že výrobek je vybaven plnými bateriemi, které jsou podle půlu správně umístěny, a přihrádka na baterie je zavřená, ale navzdory tomu není možný běžný bezpečný provoz, nebo výrobek vykazuje škody, je nutné jej vyřadit z provozu a vyloučit jeho další použití. V takovém případě se obraťte v rámci záruky na váš zdroj, od něhož jste výrobek zakoupili.

17. Bezpečnostní upozornění

- Tento výrobek není hračka.
- Kvůli malým částem, které lze spolknout, není výrobek vhodný pro osoby mladší 5 let.
- Výrobek se nesmí používat na vyšetřování očí (např. na tzv. test zornic).
- Při používání je nutné zamezit přehřátí výrobku např. zakrytím.
- Pokud by výrobek nefungoval, mělo by se nejdříve zkontrolovat, zda chyba není způsobena prázdnými akumulátory, příp. akumulátory/baterie nebyly podle půlu správně nasazeny.
- Při použití v silničním provozu dodržujte příslušná zákonná ustanovení.

Nejvíce omezující ohrožení tohoto výrobku prostřednictvím optického záření je ohrožení modrým světlem (400 nm až 780 nm). Mezní hodnoty tepelného ohrožení jsou zřetelně pod limitem.

Ohrožení pro provozovatele závisí na použití nebo nainstalování výrobku. Optické ohrožení neexistuje, pokud reakce odvrácení omezují dobu expozice a pokud se budou dodržovat pokyny uvedené v tomto návodu k použití. Reakce odvrácení se vyvolávají expozicí a jsou tím chápány všechny přirozené reakce, které chrání oko před ohrožením prostřednictvím optického záření. Především zde jde o vědomé reakce, jakými jsou pohyby očí nebo pohyby hlavy (např. odvrácení).

Při použití výrobku se musí zohlednit především to, že reakce odvrácení mohou být u osvětlených osob oslabeny léky, drogami nebo nemocí. Použitím, které je v rozporu s účelem výrobku, může v důsledku účinku oslnění dojít k vratným, tj. dočasným poruchám zraku (fyziologické oslnění), nebo zdvojeným obrazům nebo k vyvolání rušivého pocitu, jakým je nevolnost a únava psychologické oslnění). Stupeň a doba doznění dočasných poruch závisí v zásadě na rozdíl jasu mezi oslňujícím světelným zdrojem a okolním prostředím. Mimořádné fotosenzibilní osoby by měly použití výrobku konzultovat s odborným lékařem.

V zásadě platí, že intenzivní světelné zdroje mají kvůli svému oslňujícímu účinku vysoký sekundární potenciál nebezpečí. Jako po pohledu do jiných jasných zdrojů světla (např. do světometu vozidla) to může vést i zde k časově omezené zrakové schopnosti a zdvojeným obrazům a podle situace k podrážděním, zatížením, omezením nebo dokonce i k nehodám.

Pokyny platí pro používání výrobku. Pokud se společně používá vícero podobných výrobků nebo různé výrobky emitující světlo, může se intenzita optického záření zvýšit.

Je nutné zabránit každému dlouhému pozorování zdroje záření výrobku ze strany uživatele a jiných osob, a to prostřednictvím dalších nástrojů soustřeďujících paprsky nebo i bez takových nástrojů! Namísto toho je v takových případech nutné oči vědomě zavřít a hlavu odvrátit od směru světelného paprsku.

Při komerčním používání nebo při používání v oblasti veřejného sektoru musí být uživatel v závislosti na případu použití adekvátně poučen o všech aplikovatelných zákonech a předpisech.

Důležitá pravidla jak se zachovat:

- Světelným paprskem nemířte přímo do očí osob.
- Uživatelé ani jiné osoby by se neměli dívat přímo do paprsku.
- Pokud optické záření zasáhne oko, je nutné oči vědomě zavřít a hlavu okamžitě odvrátit od směru paprsku.
- Návod k použití a tyto pokyny si uschovejte a v případě odevzdání výrobku dalším osobám přiložte k výrobku.
- Je zakázáno se dívat do světla vyzařovaného přímo z výrobku.

Teší nás, že ste sa rozhodli pre výrobok našej firmy.

Aby ste sa mohli oboznámiť so svojím novým produktom, nájdete tu návod na použitie. Všetky podklady priložené k produktu si treba pred jeho použitím dôkladne prečítať, uschovať ich a pri odovzdávaní produktu tretej osobe ich odovzdať spolu s ním. Služí to aj na to, aby ste z výrobku mali maximálny úžitok a mohli ste predchádzať otázkam typickým pre používateľa.

Dodržiavajte najmä výstražné a bezpečnostné upozornenia a riadne zlikvidujte obalový materiál.

Doplňkové informácie pre SEO s funkciou TEST IT

Vaše čelové svetidlo LED LENSER SEO 7R s kat. č. 6107-R (kat. č. 6007-R: bez funkcie TEST IT) je v balení vybavené našou tzv. funkciou TEST IT. Táto funkcia umožňuje preveriť svietivosť svetidla, kým sa SEO 7R nachádza v obale. Na vykonanie testu stačí len jednoducho stlačiť žlté tlačidlo TEST IT na prednej strane obalu. Počas testu sa nepozerajte priamo do svetla.

Prostredníctvom dvoch káblov je tlačidlo TEST IT spojené s krytom na batérie svetidla SEO 7R, ktoré musia byť pred prvým použitím odstránené. Na odstránenie tlačidla TEST IT a káblov otvoríte kryt na batérie a vyberte 3 x AAA batérie (pozrite aj odsek "Výmena bloku akumulátorov / akumulátorov NiMH / alkalických batérií" uvedený nižšie). Potom odstráňte oba káble tlačidla TEST IT z krytu na batérie tým, že za každý z nich budete ťahať, kým sa neuvoľní. Potom vložte do krytu na batérie naspäť 3 x AAA batérie, príp. akumulátory, pričom musíte zohľadniť ich správnu polaritu. Kryt na batérie uzavrite a obal i tlačidlo TEST IT s káblami zlikvidujte v súlade s regionálnou legislatívou.

Produkt

6007-R, LED LENSER® SEO 7R
6107-R, LED LENSER® SEO 7R (blister)

1. Súprava batérií:

- 1 x blok akumulátorov (v rozsahu dodávky 6007-R a 6107-R) alebo
- 3 x alkalické batérie AAA/LR03/Micro (1,5 V DC) (v rozsahu dodávky 6107-R) alebo
- 3 x akumulátory NiMH AAA/LR03/Micro (1,2 V DC) (nie sú v rozsahu dodávky)

2. Zapnutie a vypnutie

V hornej časti krytu čelového svetidla SEO 7R, medzi priehradkou na batérie a časťou s reflektorovou šošovkou, sa nachádza spínacie tlačidlo, pomocou ktorého sa dá SEO 7R zapnúť. Toto spínacie tlačidlo sa používa aj na výber rôznych programov svietenia a svetelných funkcií (pozri bod 5) a zmenu z bieleho na červené svetlo (pozri bod 5). Okrem toho možno pomocou neho aktivovať prepravnú poistku („Transport Lock“) (pozri bod 7).

3. Ohnisko

V prednej úzkej oblasti krytu čelového svetidla sa nachádza reflektorová šošovka, prostredníctvom ktorej sa sústreďuje svetlo bielej LED diódy (pozri bod 5.1). Reflektorová šošovka je pridržiavaná plastovým krúžkom. Dvomi prstami môžete týmto plastovým krúžkom otáčať a tým rýchlo a jednoducho prestaviť ohnisko. Toto tzv. „Speed Focus“ umožňuje plynulé prestavenie uhla

otvorenia bieleho svetelného lúča.

V závislosti od toho, či chcete osvetliť priestor v diaľke alebo priamo pred sebou, môžete doplnkovo k uhlu otvorenia prestaviť aj uhol svetelného lúča k horizontále. Na to môžete tu časť čelového svetidla, v ktorej sa nachádza reflektorová šošovka a biela LED dióda, jednoducho sklopíť. Pomocou aretovania sú možné aj medzipolohy.

4. Smart Light Technology (SLT)

Svetidlo SEO 7R je vybavené našou technológiou Smart Light Technology (SLT). Použitím mikrovoľádača sa môže riadiť intenzita svetla LED diódy a používateľ môže využívať rôzne programy svietenia a svetelné funkcie. Použitím samostatného spínača bolo umožnené jednoducho a z ľahká používateľa prijateľné rozhranie. SEO 7R môže používateľovi poskytnúť svetlo v rôznych intenzitách a rôznych typoch. Takže k dispozícii sú dva režimy Energy Mode, programy svietenia a množstvo svetelných funkcií. Aby sa čelové svetidlo mohlo zapnúť a vypnúť a bolo možné zvoliť rôzne svetelné funkcie, použije sa spínač popísaný v bode 2.

V zásade platí, že jas svetidla SEO 7R je sledovaný zabudovanou jednotkou na kontrolu teploty.

5. Programy svietenia a svetelné funkcie

V modeli svetidla SEO 7R sú zabudované dve LED diódy (LED = Licht Emittierende Diode). Biela veľmi silná LED dióda je určená na bežné použitie, ak sa má použiť napr. Speed Focus alebo prestavenie uhla. Toto veľmi jasné biele svetlo neprispôbuje do úvahy za tých okolností, ak si vaše oči v dôsledku tzv. adaptácie na tmru zvykli na okolité svetlo s nízkou intenzitou. Inak ako pri použití bieleho svetla zostáva aktuálne prispôbovanie sa očí osvetleniu s nízkou intenzitou zachované, keď sa použije červené svetlo červenej LED diódy. Ohnisko a uhol svetla červenej LED diódy, ktorá sa nachádza bočne vedľa reflektorovej šošovky, sa nedá prestaviť. Medzi bielou a červenou LED diódou meníte tak, že spínacie tlačidlo podržíte stlačené cca 2 sekundy, keď je svetidlo SEO 7R vypnuté. Čelové svetidlo potom zmení svetlo z červeného na biele alebo z bieleho na červené. Potom spínacie tlačidlo pustíte skôr, ako zhasne svetlo, lebo ak bude spínacie tlačidlo príliš dlho stlačené, aktivuje sa prepravná poistka (pozri bod 7)! Nasledujúce body sa zaoberajú svetelnými funkciami svetidla, ktoré sa môžu použiť s bielymi LED diódami (program svietenia „White“ / bod 5.1) a červenými LED diódami (program svietenia „Red Night Vision“ / bod 5.2).

5.1 Program svietenia „White“

Ak je aktivovaný program svietenia „White“ (pozri bod 5), máte k dispozícii fokusovateľné biele svetlo čelového svetidla.

Ak sa stlačí spínacie tlačidlo, keď je SEO 7R vypnuté, svieti čelové svetidlo vo funkcii „Power“ plným jasom. Ak v priebehu cca 2 sekúnd stlačíte tlačidlo druhýkrát, budete mať k dispozícii svetidlo s nízkym jasom (svetelná funkcia „Dim“ (stmievanie)). Ak chcete pri tomto druhom zapnutí svetidlo nielen jednoducho zapnúť, to znamená, že spínacie tlačidlo nestlačíte iba jedenkrát krátko, ale podržíte stlačené, môžete plynulo zmeniť jas. Počas doby, keď je spínacie tlačidlo stlačené, sa jas zmení v rozmedzí od úplnej svetlosti až po redukovanú svietivosť. Na oboch koncových

bodoch svetidlo SEO 7R jednou krátko zhasne, aby sa potom rozjasnilo alebo stmavlo. Hneď ako spínacie tlačidlo pustíte, zaaretuje aktuálny jas. Tento jas zostane pre funkciu „Dim“ (stmievania) zachovaný, aj keď čelová svetlilu vypnete.

Ak sa tlačidlo trikrát rýchlo stlačí, nasleduje po funkcii svietenia „Dim“ funkcia „Automatic Dim“. Senzor zaregistruje jas prostredia a dokáže mu prispôbiť jas svetidla SEO 7R. Ak je táto funkcia aktívna, zníži sa napr. jas vtedy, keď na blízku vzdialenosť osvetlite predmety. Zredukuje sa tak riziko oslepenia a uľahčí sa práca, napr. za písacím stolom. Ak však chcete osvietiť vzdialené objekty alebo ak okolie stmavne, jas čelového svetidla sa zvýši.

V rámci programu svietenia „White“ máte napokon k dispozícii funkciu svetelnú funkciu „Signál“ (pomalé rovnomerné blikanie). Keď je svetidlo SEO 7R vypnuté, dostanete sa do funkcie „Signál“ tak, že svetidlo dohromady 4x zapnete, medzi každým stlačením však vždy len cca 2 sekundy počkáte.

Po ďalšom stlačení je svetidlo SEO 7R vypnuté a opätovným stlačením sa znovu aktivuje svetelná funkcia „Power“. Takto sa dá poradie svetelných funkcií zopakovať.

Rešpektujte však, že s každým stlačením svetidlo SEO 7R vypnete, ak od predchádzajúceho stlačenia uplynula dlhšia doba ako cca 2 sekundy. Napr. ak uplynula dlhšia doba ako cca 2 sekundy po zaktivovaní svetelnej funkcie „Automatic Dim“, nenasleduje funkcia „Signál“, ale svetidlo SEO 7R sa vypne.

5.2 Program svietenia „Red Night Vision“

Ak je aktivovaný program svietenia „Red Night Vision“ (pozri bod 5), máte k dispozícii červené svetlo čelového svetidla.

Ak sa stlačí spínacie tlačidlo, keď je SEO 7R vypnuté, svieti čelové svetidlo vo funkcii „Power“ plným jasom červeným svetlom. Ak stlačíte tlačidlo v priebehu cca 2 sekúnd znovu, budete mať k dispozícii svetelnú funkciu „Signál“ (pomalé rovnomerné blikanie) červeného svetla. Po ďalšom stlačení je svetidlo SEO 7R vypnuté a opätovným stlačením sa znovu aktivuje svetelná funkcia „Power“ s červeným svetlom. Takto sa dá poradie svetelných funkcií zopakovať. Aj v programe svietenia „Red Night Vision“ vypnete svetidlo SEO 7R každým stlačením spínacieho tlačidla, ak od predchádzajúceho stlačenia uplynula dlhšia doba ako cca 2 sekundy. Napr. ak uplynula dlhšia doba ako cca 2 sekundy po zaktivovaní svetelnej funkcie „Power“, nenasleduje funkcia „Signál“, ale svetidlo SEO 7R sa vypne.

6. Energetické režimy

Výberom jedného z dvoch režimov „Energy Mode“ („Energy Saving“ alebo „Constant Current“) rozhodnete o tom, ako sa bude používať energia uložená v akumulátore, resp. použitých batériách.

1. Energy Saving: Pomocou zabudovanej technológie Smart Light Technology (SLT) sa ovláda intenzita osvetlenia. Jas treba prispôbiť reálnym podmienkam vyskytujúcim sa pri bežnom používaní svetidla a svetidlo tak bude disponovať dlhšou dobou svietenia.

2. Constant Current: Tento režim „Energy Mode“ umožňuje nepretržité používanie všetkých

svetelných funkcií s celkovo konštantou intenzitou svietenia. Ponúka sa vtedy, keď je vysoký jas dôležitejší ako dlhý čas svietenia.

Zmena režimov Energy Mode:

Na zmenu režimov „Energy Mode“ musí byť v programe svietenia „White“ aktívna svetelná funkcia „Signál“. Svetidlo SEO 7R bliká a spínač musíte v takomto prípade stlačiť na dobu cca 2 sekundy.

Čelové svetidlo prestane blikaf. Po krátkej chvíli sa znovu zapne a v zápätí sa vypne alebo pomaly sa jas zníži na nulu. Ak sa vypne náhle, nachádza sa potom v „Energy Mode“ „Constant Current“.

Ak sa pomaly zníži jas na nulu, je aktivovaný režim „Energy Mode“ „Energy Saving“.

Takýmto postupom sa prepínate medzi obidvomi režimami „Energy Mode“. Nedá sa zistiť, v ktorom režime „Energy Mode“ sa svetidlo SEO 7R nachádza. Ak to chcete zistiť, musíte vykonať tento postup. Ak sa potom svetidlo SEO 7R nebude nachádzať v požadovanom režime „Energy Mode“, musíte postup ešte raz zopakovať.

7. Prepravná poistka / „Transport Lock“

V bode 5 je popísané, ako môžete prepínať medzi bielou a červenou LED diódou. To sa uskutoční vtedy, keď je SEO 7R vypnuté a podržíte spínacie tlačidlo iba cca 2 sekundy. Čelové svetidlo potom zmení svetlo z červeného na biele alebo z bieleho na červené. Ak však podržíte spínač stlačený dlhšie (cca 5 sekúnd) a síce tak dlho, kým svetlo nezhasne, aktivuje sa prepravná poistka („Transport Lock“). Potom sa svetidlo SEO 7R už nedá zapnúť, ale každé stlačenie tlačidla potvrdí len krátkym červeným bliknutím. Takže už sa nemôže omylom zapnúť a nechcene spotrebúvať energiu.

Až keď spínacie tlačidlo znovu podržíte stlačené 5 sekúnd, deaktivuje sa táto funkcia a svetidlo sa nachádza v svetelnom programe „White“.

8. Funkcia Reset

Ak vyberiete použité bloky akumulátorov, akumulátory NiMH alebo alkalické batérie, svetidlo SEO 7R sa „vyresetuje“. Znamená to, že ste dve funkcie ste vrátili do pôvodného stavu:

- Prepravná poistka / „Transport Lock“ (pozri bod 7) je deaktivovaná
- Funkcia „Dim“ (stmievanie) svieti s redukovaným jasom (pozri bod 5.1)
- Ako režim „Energy Mode“ je potom aktívny režim „Energy Saving“ (pozri bod 6)
- Svetelný program „White“ (pozri bod 5.1) je aktívny

9. Nabitie

Svetidlo SEO 7R oznamuje blikaním červenej LED diódy, že sa čoskoro vybije. Bloky akumulátorov trebačas nabíť. Bloky akumulátorov svetidla SEO 7R nabíjajte len v suchom prostredí a len pomocou nabíjačky, ktorá je súčasťou balenia, resp. cez USB pripojenie (pozri nižšie).

Nasledujúce informácie sa týkajú len príslušenstva, ktoré je súčasťou dodávky. V svetidle SEO 7R nemôžete nabíjať iné akumulátory alebo batérie!

Ak používate akumulátory NiMH (pozri bod 1), nabíjajte ich len pomocou externých nabíjačiek schválených na tento účel.

Súčasťou dodávky vášho svetidla SEO 7R je zástrčka a nabíjačka, ktoré v prípade, že ešte nebudú zapojené, musíte spojiť, aby do seba zapadli.

Nabíjačka svetidla SEO 7R má USB prípojku, ktorá sa na nabíjanie bloku akumulátorov musí spojiť s príslušnou prípojkou dodaného nabíjacieho kábla. Druhú stranu nabíjacieho kábla (Micro-USB) spojte s blokom akumulátorov (v rozsahu dodávky). Prípadne musíte kvôli tomu otvoriť priehradku na batérie svetidla SEO 7R. Blok akumulátorov môžete potom nabíjať v svetidle SEO 7R alebo ho môžete na nabíjanie vybrať. Pomocou nabíjačky môžete nabíjať len blok akumulátorov obsiahnutý v dodávke.

Ako posledných krok spojte sieťovú zástrčku nachádzajúcu sa na nabíjačke so zásuvkou (vstup: 100 V až 240 V / 50 Hz až 60 Hz). Ak je proces nabíjania ukončený (po max. 2 až 3 hodinách), vytiahnite nabíjačku zo zásuvky a odpojte aj nabíjací kábel (micro USB) od bloku akumulátorov. Nie je však problematické ani to, ak sa blok batérií nabíja ďalej, aj keď je už nabitý na plnú kapacitu.

Namiesto toho, aby ste nabíjací kábel pripojili k USB prípojke nabíjačky, môžete ho pripojiť aj k inej USB prípojke (5 V / 900 mA) napr. na počítači. Prostredníctvom našej alternatívne dostupnej USB nabíjacej prípojky pre vozidlá (Led Lenser Car Charger: kat. č. 0380) sa svetidlo SEO 7R môže nabíjať aj pomocou zapaľovačov cigariet a zásuviek vo vozidlách. Toto príslušenstvo sa automaticky prispôbi aktuálnemu vstupnému napätiu (12 V / 24 V). Tieto alternatívy sa ponúkajú napr. vtedy, ak nie je k dispozícii žiadna zásuvka.

Upozornenie – Ubezpečte sa, prosím, že na nabíjajúcich kontaktoch nemôže dôjsť k skratu. Nesmiete sa dotýkať kontaktov batérií vlhkými alebo kovovými predmetmi.

10. Indikátor nabíjania

Ak blok akumulátorov svetidla SEO 7R nabíjate príslušným nabíjajúcim káblom a nabíjačkou alebo cez USB prípojku (pozri bod 9), svietí stavová LED dióda. **11. Výmena bloku akumulátorov / akumulátorov NiMH / alkalických batérií**

Pred výmenou svetidlo SEO 7R vypnite. Na širokej strane krytu svetidla sa nachádza kryt priehradky na batérie. Vo výške tlačidla sa nachádza plastový výbežok. Ak ho opatrne napr. palcom potlačíte trochu nahor, môže sa veko priehradky na batérie vyklodiť nadol. Použite pri tom malé ryhy, ktoré sa nachádzajú vľavo a vpravo vedľa spínacieho tlačidla.

Teraz môžete blok akumulátorov (ptíp. akumulátory NiMH / alkalické batérie) vybrať a vložiť nové.

Môžu sa vložiť aj akumulátory NiMH alebo alkalické batérie. **Potom sa v žiadnom prípade nesmie používať nabíjačka!**

Pri vkladaní je vždy potrebné skontrolovať, či sa to vzhľadom na póly batérie vykonalo správne. Preto treba skontrolovať póly batérií (+ a -) nielen v priehradke na batérie, ale aj na blokoch

akumulátorov / alkalických batériách. V opačnom prípade môže vzniknúť riziko, že sa akumulátory / batérie poškodia, prípadne aj explodujú.

Dodaný blok akumulátorov sa môže nabíjať iba pomocou originálnej nabíjačky alebo cez USB prípojku (pozri bod 9)!

Po výmene treba priehradku na batérie znova zatvoriť.

12. Popruh na hlavu

Ak popruh na hlavu už nie je spojený so svetidlom, postupujte nasledovným spôsobom.

Najprv navlečte koniec hlavového popruhu úzkym plastovým uzáverom spredu cez oko na ľavej strane krytu čelového svetidla. Riadte sa pri tom smerovaním písma na popruhu na hlavu. Popruh potom vedte cez kryt priehradky na batérie k oku na druhej strane priehradky na batérie a preveďte popruh dopredu. Tento koniec popruhu na hlavu treba potom prevliecť cez strednú úzku štrbinu vedľa oka karabíny. Kvôli tomu treba úzky plastový koniec prevliecť otvorom v strede s úzkou stranou, ktorý je tvorený 4 malými mostíkmi. Tým sa dá prevliecť celý koniec otvorom vedľa oka karabíny a oba konce hlavového popruhu sú navzájom spojené

Pomocou oka karabíny sa svetidlo SEO 7R pri preprave môže upevniť napr. na pútko opasku alebo k ruksaku.

Prostredníctvom tretej plastovej časti na popruhu sa dá prestaviť veľkosť hlavového popruhu a prispôbiť ho tak rôznym obvodom hlavy.

13. Akumulátory/batérie

Batérie, ktoré nemožno opätovne nabíjať, alebo iné akumulátory s výnimkou typu bloku akumulátorov, ktorý bol súčasťou balenia, sa nesmú znovu nabíjať pomocou dodanej nabíjačky. Nikdy spoločne nepoužívajte akumulátory a batérie. Všetky akumulátory alebo batérie meňte vždy naraz. V svetidle SEO 7R používajte iba dodaný blok akumulátorov, alkalické batérie (AAA/LR03/Micro 1,5 V DC) alebo akumulátory NiMH (AAA/LR03/Micro 1,2 V DC).

Ak produkt dlhší čas nepoužívate, vyberte z neho blok akumulátorov, príp. akumulátory NiMH alebo alkalické batérie, aby ste sa vyhlíž škodám. Opatrebné batérie a akumulátory treba vybrať a zlikvidovať ako špeciálny odpad podľa tuzemskej legislatívy.

Všeobecne pre likvidáciu batérií, najmä však lítiových batérií, akumulátorov a zväzkov akumulátorov platí, že tieto smú byť zlikvidované iba odbornou a vo vybitom stave. Doplnkovo sa pri likvidácii musí napr. prelepením kontaktov nevodiacou lepiacou páskou zabezpečiť, aby nemohlo dôjsť k skratu.

V zásade platí, že sa musia vylúčiť skraty akumulátorov a batérií a tieto sa nesmú otvárať, ani dostať do tela a nesmú sa hádzať do ohňa.

14. Čistenie

Na čistenie používajte suchú a čistú handru, ktorá nezanecháva vlákna.

Ak sa svetidlo dostane do kontaktu so slanou vodou, okamžite slanou vodu úplne odstráňte pomocou handry, ktorá nezanecháva vlákna. Popruh na hlavu sa dá prať v pračke pri 30 °C.

15. Príslušenstvo

SEO 7R vrátane popruhu na hlavu sa dodáva s

nasledujúcim príslušenstvom:

- 1 x nabíjačka a sieťová zástrčka
- 1 x nabíjací kábel na spojenie medzi nabíjačkou a blokom akumulátorov
- 1 x blok akumulátorov
- 1 x návod na použitie

Ďalšie príslušenstvo pre SEO 7R je v pláne.

Na našich internetových stránkach sa môžete informovať o tomto príslušenstve, ktoré je nad rámec rozsahu dodávky.

16. Pozor

Obsiahnuté malé časti alebo batérie/akumulátory neprehltajte. Tento produkt alebo jeho časti (vrátane batérií / akumulátorov) treba uschovať mimo dosahu detí.

Produkt sa z bezpečnostných a schvaľovacích dôvodov (CE) nesmie prestavovať a/alebo meniť. Produkt sa smie používať výlučne ako svietidlo poháňané batériami alebo akumulátormi. Ak bude produkt použitý v rozpore s jeho účelom alebo neodborne, môže sa poškodiť a už nie je možné zaručiť jeho bezpečné používanie (nebezpečenstvo, požiar, skrat, zásah el. prúdom atď.). Pri zraneniach osôb a hmotných škodách potom neexistuje žiadne ručenie a zanikne aj záruka od výrobcu.

Teplotný rozsah, v ktorom sa produkt môže prevádzkovať, je od -20 °C do +50 °C. Postarajte sa o to, aby produkt nebol vystavovaný extrémnym teplotám, silným otrasom, výbušnému ovzdušiu, rozpúšťadlám a/alebo výparom.

Má sa zabrániť aj trvalému priamemu slnečnému žiareniu, vysokej vlhkosti a/alebo mokrému prostrediu.

Zmeny, opravy a údržby, ktoré presahujú pokyny uvedené v dokumentoch priložených k produktu, smú byť zrealizované iba prostredníctvom autorizovaného odborného personálu.

Ak je zabezpečené, že produkt je vybavený plnými batériami/akumulátormi, ktoré sú podľa pólův správne umiestnené, a priehradka na batérie je uzavretá, ale napriek tomu nie je možná bežná bezpečná prevádzka alebo produkt vykazuje škody, treba ho vyradiť z prevádzky a vylúčiť jeho ďalšie použitie. V takomto prípade sa obráťte v rámci záruky na zdroj, od ktorého ste produkt kúpili.

17. Bezpečnostné upozornenia

- Tento výrobok nie je hračka pre deti!
- Kvôli malým častiam, ktoré možno prehltnúť, nie je vhodný pre osoby mladšie ako 5 rokov.
- Produkt sa nesmie používať na vyšetrenie očí (napr. na tzv. test zreničiek).
- Pri používaní treba zamedziť prehriatiu produktu napr. v dôsledku jeho zakrytia.
- Ak by produkt nefungoval, malo by sa najskôr skontrolovať, či táto chyba fungovania nie je spôsobená prázdny akumulátorom, príp. akumulátormi/batériami alebo tým, že tieto neboli podľa pólův správne nasadené.
- Pri použití v cestnej premávke dodržiavajte, prosím, príslušné zákonné ustanovenia.

Najviac obmedzujúce ohrozenie tohto produktu prostredníctvom optického žiarenia je ohrozenie modrým svetlom (400 nm až 780 nm). Medzné hodnoty tepelného ohrozenia sú zreteľne pod limitom.

Ohrozenie pre pozorovateľov závisí od použitia alebo nainštalovania produktu. Optické ohrozenie neexistuje, pokiaľ reakcie odvrátenia se obmedzia dobu expozície a ak budú sa dodržiavať pokyny v tomto návode na obsluhu.

Reakcie odvrátenia sa sú vyvolané expozíciou a sú pod tým chápané všetky prirodzené reakcie, ktoré chránia oko pred ohrozením optickým žiarením. Predovšetkým tu ide o vedomé reakcie, akými sú pohyby očí alebo pohyby hlavy (napr. odvrátenie).

Pri použití produktu sa musí zohľadniť predovšetkým to, že reakcie odvrátenia môžu byť u osvetlených osôb oslabené liekmi, drogami, chorobami alebo stavom nevládnosti. Na základe použitia, ktoré je v rozpore s účelom produktu, môže v dôsledku účinku oslepenia dôjsť k vratným, t. j. dočasným narušeniam zraku (fyziológické oslepenie) alebo zdvojeným obrazom alebo k vyvolaniu rušivého pocitu, akým je averzia a únava (psychologické oslepenie). Stupeň a doba doznenia dočasných porúch závisia v zásade od rozdielu svetlosti medzi oslepujúcim svetelným zdrojom a okolitým prostredím. Mimoriadne fotosenzibilné osoby by mali použitie produktu konzultovať s odborným lekárom.

V zásade platí, že intenzívne svetelné zdroje majú kvôli svojmu oslepujúcemu účinku vysoký sekundárny potenciál nebezpečenstva. Ako po pohľade do iných jasných zdrojov svetla (napr. do svetlometu vozidla) to môže viesť aj tu k časovo obmedzenej zrakové schopnosti a zdvojeným obrazom a podľa situácie k podráždeniam, zataženiam, obmedzeniam alebo dokonca aj nehodám.

Pokyny platia pre používanie produktu. Ak sú spoločne používané viaceré podobné produkty alebo rôzne produkty vyžarujúce svetlo, môže sa intenzita optického žiarenia zvýšiť. Treba zabrániť každému dlhému pozorovaniu zdroja žiarenia zo strany používateľa a iných osôb, a to prostredníctvom ďalších nástrojův sústreďujúcich lúče alebo aj bez nich! Namiesto toho treba v takýchto prípadoch oči vedome zavrieť a hlavu odvrátiť od smeru svetelného lúča.

Pri komerčnom používaní alebo pri používaní v oblasti verejného sektora musí byť používateľ v závislosti od prípadu použitia adekvátne poučený o všetkých aplikovateľných zákonoch a predpisoch.

Dôležité pravidlá správania:

- Svetelným lúčom nemierte priamo do očí osôb.
- Používateľ ani iné osoby by sa nemali pozeráť priamo do lúča.
- Ak optické žiarenie zasiahne oko, treba oči vedome zatvoriť a hlavu okamžite odvrátiť od smeru lúča.
- Návod na použitie a tieto pokyny si uschovajte a v prípade odovzdania produktu ďalším osobám priložte k produktu.
- Je zakázané pozeráť do svetla vyžarovaného priamo z produktu.

Örülünk, hogy a mi termékünket választotta. Az új termék megismeréséhez szükséges adatokat ebben a használati útmutatóban találja. A termék használata előtt a mellékelt dokumentumokat figyelmesen olvassa el, őrizze meg, és a termék harmadik személynek történő továbbadásakor azokat adja át. A használati útmutató segítséget nyújt a termék teljes körű használatához, és választ talál benne kérdéseire. Mindenek előtt figyeljen a biztonsági utasításokra és figyelmeztetésekre, és a csomagolóanyagot az előírásoknak megfelelően ártalmatlanítsa.

Kiegészítő információk a TEST IT funkció SEO lámpához

A csomagolásban lévő LED LENSER SEO 7R fejlámpa (Cikkszám: 6107-R) úgynevezett TEST IT funkcióval van ellátva (Cikkszám: 6007-R TEST IT funkció nélkül). Ez a funkció lehetővé teszi a fényerő tesztelését anélkül, hogy a SEO 7R fejlámpát kivenné a csomagolásból. A teszthez egész egyszerűen nyomja meg a csomagolás elülső oldalán lévő sárga TEST IT gombot. Teszt közben ne nézzen közvetlenül a fénybe. A TEST IT gombot két vezeték köti össze a SEO 7R elemtartóval, amit az első használat előtt el kell távolítani.

A TEST IT gomb és a vezeték eltávolításához nyissa ki az elemtartót és vegye ki a 3 db AAA méretű elemet (lásd még lent az "Akkupakkok / NiMH akkuk / alkáli elemek cseréje" című részt is). Ezután távolítsa el a TEST IT gomb mindkét vezetékeit az elemtartóból úgy, hogy mindkét kábelt addig húzza, míg azok ki nem oldódnak. Most helyezze vissza a 3 db AAA méretű elemet ill. akkumulátorokat az elemtartóba, közben figyeljen a helyes polarításra. Zárja vissza az elemtartót, és gondoskodjon a csomagolás, a TEST IT gomb és a vezetékek ártalmatlanításáról a helyi előírásoknak megfelelően.

Cikkszámok

6007-R, LED LENSER® SEO 7R
6107-R, LED LENSER® SEO 7R (bliszter)

1. Elemgarnitúra:

- 1 db akku csomag (a 6007-R és a 6107-R szállítási terjedelmében) vagy
- 3 db AAA/LR03/mikro alkáli elem (1,5 V DC) (a 6107-R szállítási terjedelmében) vagy
- 3 x AAA/LR03/mikro NiMH akku (1,2 V DC) (nincs a szállítási terjedelemben)

2. Be- és kikapcsolás

A SEO 7R fejlámpa tokjának felső részén, az elemtartó és a reflektorlencsével ellátott rész között található a kapcsológomb. Ezzel tudja bekapcsolni a SEO 7R fejlámpát. Ez a kapcsológomb használható a különböző világítási programok és világítási funkciók kiválasztásához (lásd 5. pont), valamint a fehér fény és piros fény közötti átváltáshoz is (lásd 5. pont). Ezenkívül ezzel tudja aktiválni a szállítási rögzítést („Transport Lock”) (lásd 7. pont).

3. Fókusz

A fejlámpa tokjának elülső, keskenyebb részén található a reflektorlencse, amin keresztül a fehér LED fény fókuszálódik (lásd 5.1. pont). A reflektorlencsét egy műanyag gyűrű tartja. A műanyag gyűrű két ujjal elforgatható, és ezáltal a

fókusz nagyon gyorsan és egyszerűen állítható. Ez az úgynevezett Speed Focus lehetővé teszi a fehér fény sugar nyílásszögének fokozatmentes állítását. Attól függően, hogy a távolban szeretne-e valamit megvilágítani, vagy közvetlenül maga előtt, a nyílásszög mellett a fény sugar vízszinteshez viszonyított szögét is beállíthatja. Ehhez egyszerűen billentenie lehet a fejlámpának azt a részét, amelyben a reflektorlencse és a fehér LED található. A beaknáló szerkezet által köztes állások is lehetségesek.

4. Smart Light Technology (SLT)

SEO 7R fejlámpánkat Smart Light Technology (SLT) rendszerrel láttuk el. A LED fényereje mikrokontrollerrel vezérelhető, és a fejlámpa használója különböző világítási programokat és világítási funkciókat használhat. Egyetlen kapcsoló használatával egyszerű és felhasználóbarát felületet alakítottunk ki. A SEO 7R fejlámpa a használójának különböző erősségű és különböző fajta világításokat kínál. Így két energiamód (Energy Modes), két világítási program és számos világítási funkció áll rendelkezésre. A fejlámpa be- és kikapcsolásához és a különböző világítási funkciók stb. kiválasztásához a 2. pont alatt ismertetett kapcsoló használható. Alapvetően a SEO 7R világosságát a beépített hőmérsékletellenőrző egység felügyeli.

5. Világítási programok és világítási funkciók

A SEO 7R modellbe két LED (LED = fénykibocsátó dióda) van beépítve.

A fehér, nagyon erős LED a normál használatra szolgál, ha pl. a Speed Focus-t vagy a szögállítást kell használni. Ez a nagyon világos, fehér fény bizonyos körülmények között nem ajánlatos, ha a szeme, az úgynevezett sötétséghez való alkalmazkodás miatt, kis környezeti fényhez szokott hozzá. Ha a második LED piros fényt használja, megmarad a szem kis fényerőhöz való aktuális alkalmazkodása, nem úgy, mint a fehér fény használata esetén. A reflektorlencse mellett oldalt található piros LED fényének fókusza és szöge nem állítható.

A fehér és piros LED között úgy tud átváltani, hogy kb. 2 másodpercig megnyomja a SEO 7R fejlámpa kapcsológombját., miközben a lámpa ki van kapcsolva. A fejlámpa ekkor a piros fényről fehérre, ill. a fehérről pirosra vált. Mielőtt a fény kialakulna, engedje el a kapcsológombot, mivel ha túl hosszan nyomja a gombot, aktiválódik a szállítási rögzítés (lásd 7. pont)!

A következő pontok a világítási funkciókkal foglalkoznak, amelyek a fehér LED-del (White világítási program / 5.1. pont) és a piros LED-del ("Red Night Vision" világítási program / 5.2. pont) használhatók.

5.1 Fehér világítási program

Ha a White világítási program van aktiválva (lásd 5. pont), a fejlámpa fehér fókuszálható fénye áll rendelkezésre.

Ha kikapcsolt állapotban megnyomja a SEO 7R kapcsológombját, a fejlámpa a Power világítási funkcióban teljes fényerővel világít. Ha kb. 2 másodpercen belül másodszor is megnyomja a gombot, a lámpa kisebb fényerővel világít (Dim világítási funkció). Amennyiben ennél a második kapcsolásnál nem csak egyszerűen kapcsol, azaz nemcsak röviden megnyomja a kapcsológombot, hanem lenyomva is tartja, azzal fokozatmentesen

állíthatja a fényerőt. A kapcsológomb lenyomva tartásának ideje alatt a világosság a teljes és csökkentett fényerő között változik. A két végponton a SEO 7R egyszer rövid időre kialszik, hogy azután ismét világosabb ill. sötétebb legyen. Ha elengedi a kapcsológombot, azzal reseteli az aktuális fényerőt. Ez a világosság beállítás akkor is megmarad a Dim világítási funkciónál, ha kikapcsolja a fejlámpát.

Ha gyorsan egymás után összesen háromszor megnyomja a lámpa gombját, a Dim világítási funkció után az "Automatic Dim" világítási funkció következik. Egy érzékelő figyeli a környezet világosságát, és ahhoz igazítja a SEO 7R világosságát. Ha ez a világítási funkció aktív, akkor pl. csökken a világosság, ha a közelben lévő tárgyakra világít. Ezáltal csökken az elváltás veszélye, és könnyebb pl. az íróasztalnál végzett munka. Ha azonban távolabbi tárgyakat világít meg, vagy a környezet sötétebb lesz, a fejlámpa világossága növekszik.

A White világítási funkcióban utolsóként a Signal világítási funkció (lassú, egyenletes villogás) áll rendelkezésre. Ha a SEO 7R kikapcsolt állapotban van, a Signal világítási funkciót úgy tudja elérni, hogy összesen négyszer megnyomja a kapcsológombot, de az egyes kapcsolások között ne tartson 2 másodpercnél hosszabb szünetet. Egy további gombnyomás után a SEO 7R kikapcsol, és az újbóli kapcsolással ismét a Power világítási funkció aktiválódik. Ezáltal a világítási funkciók sorrendje folyamatosan ismétlődik. Figyeljen azonban arra, hogy ha az egyes kapcsolások között 2 másodpercnél hosszabb idő telik el, a SEO 7R fejlámpa kikapcsol. Például az "Automatic Dim" világítási funkció után nem a Signal funkció következik, hanem a SEO 7R fejlámpa kikapcsol, amennyiben több mint 2 másodpercet vár.

5.2. „Red Night Vision” világítási program

Ha a "Red Night Vision" világítási program van aktiválva (lásd 5. pont), a fejlámpa piros fénye áll rendelkezésre.

Ha kikapcsolt állapotban megnyomja a SEO 7R kapcsológombját, a fejlámpa a Power világítási funkcióban teljes fényerővel pirosan világít. Ha kb. 2 másodpercen belül ismét megnyomja a gombot, a piros Signal világítási funkció (egyenletes, lassú villogás) aktiválódik.

Egy további gombnyomás után a SEO 7R kikapcsol, és az újbóli kapcsolással ismét a Power világítási funkció aktiválódik. Ezáltal a világítási funkciók sorrendje itt is folyamatosan ismétlődik.

A "Red Night Vision" világítási programban is minden kapcsológomb megnyomással kikapcsolja a SEO 5 fejlámpát, amennyiben több mint kb. 2 másodpercet vár az egyes kapcsolások között. Például a Power világítási funkció után nem a Signal funkció következik, hanem a SEO 7R fejlámpa kikapcsol, amennyiben több mint 2 másodpercet vár.

6. Energy Modes (energia üzemmódok)

A két energia üzemmód (Energy Saving vagy Constant Current) egyikének kiválasztásával dönthet arról, hogyan használja az akkumulátorban ill. az alkalmazott elemekben lévő energiát.

1. Energy Saving: A beépített Smart Light Technology (SLT) vezérli a fényerőt. A fényerő a lámpa normál használata közben előforduló valós

feltételekhez igazodik, és ezáltal hosszabb világítási időtartam biztosított.

2. Constant Current: Ez az energia üzemmód az összes világítási funkció folyamatos használatát teszi lehetővé közel állandó fényerővel. Ez akkor ajánlatos, ha a nagy fényerő fontosabb, mint a hosszú világítási időtartam.

Az energia üzemmódok váltása:

Az energia üzemmód váltásához a White világítási programban a Signal világítási funkciónak aktívna kell lennie. A SEO 7R villog, és a kapcsológombot kb. 2 másodpercig nyomva kell tartani. A fejlámpa abbahagyja a villogást, majd egy pillanattal később ismét bekapcsol, hogy aztán hirtelen kialudjon, vagy fényereje lassan nullára csökkenjen. Ha a lámpa hirtelen kialszik, akkor ezután Constant Current energia üzemmódba kerül. Ha fényereje lassan csökken nullára, akkor az Energy Saving energia üzemmód van aktiválva.

Ezzel az eljárással válthat a két energia üzemmód között. Nem tudható, hogy a SEO 7R éppen melyik energia üzemmódban van. Hogy ezt megtudja, el kell végeznie ezt az eljárást. Ha a SEO 7R nem a kívánt energia üzemmódban lenne, az eljárást meg kell ismételnie.

7. Szállítási rögzítés / „Transport Lock”

Az 5. pontban ismertettük, hogyan tud váltani a fehér és piros LED között. Ez történik akkor, ha a SEO 7R kikapcsolt állapotában csak kb. 2 másodpercig tartja megnyomva a kapcsológombot. A fejlámpa ekkor a piros fényről fehérre, ill. a fehérről pirosra vált. Ha azonban a kapcsolót hosszabb ideig (kb. 5 másodpercig) lenyomva tartja, mégpedig olyan hosszan, hogy a lámpa kialszik, ezáltal a szállítási rögzítést ("Transport Lock") aktiválja. Ezután a SEO 7R már nem kapcsolható be, a lámpa rövid piros villanással nyugtázza minden egyes gombnyomást. Ezáltal elkerülhető a véletlen bekapcsolás és az akaratlan energiafogyasztás. Ezt a funkciót úgy tudja deaktiválni, hogy a kapcsológombot ismét 5 másodpercig lenyomva tartja. Ezután a lámpa a White világítási programban lesz.

8. Reset funkció

Ha az alkalmazott akkupakkot, NiMH akkukat vagy az alkáli elemeket kiveszi, azzal "reseteli" a SEO 7R fejlámpát. Tehát több funkciót állított vissza:

- A szállítási rögzítés / "Transport Lock" (lásd 7. pont) inaktív
- A Dim világítási funkció csökkentett fényerővel világít (lásd 5.1. pont)
- Energia üzemmódként (Energy Modes) ekkor az Energy Saving (lásd 6. pont) aktív
- A fehér fényprogram (lásd 5.1. pont) aktív

9. Feltöltés

A SEO 7R a piros LED villogásával jelzi, hogy hamarosan lemerül. Kérjük időben töltsse fel az akkupakkot. A SEO 7R akkupakkját kizárólag száraz helyiségben töltsse fel, és csak a szállítási terjedelemben lévő töltőkészülékkel ill. egy USB csatlakozón keresztül (lásd lent). Az alábbiak csak a szállított csomagban lévő tartozékokra vonatkoznak. Az SEO 7R készülékben más akkut vagy elemet nem lehet tölteni! Ha NiMH akkut használ (lásd 1. pont), akkor azt az ahhoz engedélyezett, külső töltőkészülékekkel kell feltölteni.

A SEO 7R szállítási terjedelme tartalmaz egy hálózati dugót és egy töltőkészüléket. Amennyiben ezek még nincsenek összekapcsolva, akkor dugja őket egymásba úgy, hogy bekattanjanak.

A SEO 7R töltőkészülékének van egy USB-csatlakozója, amit az akkupakk töltéséhez össze kell kapcsolni a szállított töltőkábel megfelelő csatlakozójával. A töltőkábel másik végét (mikro USB) kapcsolja össze az akkupakkal (a szállított csomag tartalmazza). Ehhez ki kell nyitnia a SEO 7R elemtartóját. Az akkupakk ekkor tölthető a SEO 7R fejlámpában, vagy a töltéshez ki is vehető. Csak a szállított csomagban lévő akkupakk tölthető a töltőkészülékkel.

Utolsó lépésként csatlakoztassa a töltőkészülékkel található hálózati dugót egy csatlakozó aljzatba (bemenet: 100 V - 240 V / 50 - 60 Hz). Ha a töltési folyamat befejeződött (max. 2-3 óra után), válassza le a töltőkészüléket a csatlakozó aljzatról, a töltőkábelt (mikro USB-t) pedig az akkupakkról. De nem okoz problémát az akkupakk további töltése akkor sem, ha az már teljesen fel van töltve.

A töltőkábelnek a töltőkészülék USB-csatlakozójára történő csatlakoztatása helyett csatlakoztathatja azt pl. egy számítógép USB-csatlakozójára is (5 V / 900 mA).

Opcionálisan kapható autós USB töltőcsatlakozónkkal (Led Lenser Car Charger: cikk-sz.: 0380) a SEO 7R a jármű szivargyújtójáról és dugaszoló aljzatairól is tölthető. Ez a tartozék automatikusan igazodik az adott bemeneti feszültséghez (12 V / 24 V). Ezek a lehetőségek olyankor kerülnek előtérbe, ha nem áll rendelkezésre csatlakozó aljzat.

Megjegyzés - Győződjön meg arról, hogy a töltőérintkezőkön nem tud létrejönni rövidzárlat. Ne érjen a töltőérintkezőkhöz nedves vagy fémből készült tárgyakkal.

10. Töltésjelző

Ha a SEO 7R akkupakkját a hozzátartozó töltőkábelrel és töltőkészülékkel ill. USB csatlakozóval tölti fel (lásd 9. pont), annak állapot LED-je világít. 11. Az akkupakk / NiMH akkuk / alkáli elemek cseréje

Elemcsere előtt kapcsolja ki a SEO 7R fejlámpát. A lámpa tokjának széles részén található az elemtartó fedele. A csatlakozó magasságában van egy műanyag ajak. Ha ezt óvatosan, pl. a hüvelykujjával kissé felfelé nyomja, az elemtartó fedele lehajtható. Használja ehhez a kapcsológomb mellett balra és jobbra található kis bevágásokat. Most vegye ki az akkupakkot (ill. NiMH akkukat / alkáli elemeket) és helyezzen be újakat.

NiMH akkuk vagy alkáli elemek is behelyezhetők. **De ekkor semmiképp sem szabad a töltőkészüléket használni!**

Behelyezésnél mindig fontos, hogy a polaritás helyes legyen. Emiatt ügyeljen mind az elemtartóban, mind az akkupakkon / NiMH akkukon / alkáli elemeken feltüntetett pólusokra (+ és -). Ellenkező esetben fennáll a veszély, hogy az akkuk/elemek esetleg károsodnak vagy akár fel is robbannak.

A szállított akkupakk csak az eredeti töltőkészülékkel, ill. egy USB csatlakozó segítségével (lásd. 9. pont) tölthető!

A csere után az elemtartót vissza kell zárni.

12. Fejpánt

Ha a fejpánt még nincs összekapcsolva a lámpaegységgel, a következőképpen járjon el. Először is fűzze át a fejpánt végét a keskeny műanyagvég segítségével előlről a fejlámpa tokjának baloldalán lévő fülön keresztül. Közben ügyeljen a fejpánton lévő felirat megfelelő irányára. Ezután vezesse a pántot az elemtartó fedele fölött az elemtartó másik oldalán lévő fülhöz, és előlről vezesse át rajta a fejpántot. A fejpántnak ezt a végét ezután keresztül kell vezetni a karabiner-fül melletti középső, keskeny résen. Ehhez a keskeny műanyagvéget a 4 kis borda által képzett középső nyílásba kell vezetni a keskeny oldalával. Ezáltal a teljes vég a karabiner-fül melletti nyíláson keresztülvezethető és a fejpánt két vége egymással összekapcsolható.

A karabiner-fül segítségével a SEO 7R szállításkor pl. az övre vagy hátizsákra rögzíthető.

A fejpánt harmadik műanyag részének segítségével a fejpánt mérete állítható, és a különböző fejkörfogatokhoz igazítható.

13. Akkuk / elemek

A nem újratölthető elemeket vagy a szállított akkupaktól eltérő típusú akkukat nem szabad a szállított töltőkészülékkel újratölteni. Soha ne használjon egyszerre akkumulátorokat és elemeket. Mindig egyszerre cserélje ki az összes akkut ill. elemet. A SEO 7R fejlámpában kizárólag a szállított akkupakkot, alkáli elemeket (AAA/LR03/mikro 1,5 V DC), vagy NiMH akkukat (AAA/LR03/mikro 1,2 V DC) használjon.

Ha a lámpát hosszabb ideig nem használja, a károsodás elkerülésének érdekében az akkupakkot ill. NiMH-akkukat vagy az alkáli elemeket vegye ki.

Az elhasználódott elemeket és akkukat ki kell venni és veszélyes hulladékként kell ártalmatlanítani a nemzeti előírásoknak megfelelően.

Az elemek, és különösen a lítium elemek, akkumulátorok és akkupakkok ártalmatlanítására vonatkozóan általános érvényű, hogy azokat csak lemerült állapotban és szakszerűen szabad ártalmatlanítani. Ezen kívül az ártalmatlanítás előtt, pl. az érintkezők nem vezető ragasztószalaggal történő leragasztásával gondoskodni kell arról, hogy ne fordulhasson elő rövidzárlat.

Általános érvényű, hogy az akkumulátorok és az elemek rövidzárlatát ki kell zárni, azokat sem kinyitni, sem tűzbe dobni nem szabad.

14. Tisztítás

A tisztításhoz száraz, szálmentes, tiszta ruhát használjon.

Ha a lámpa sós vízzel érintkezik, akkor a sós vizet azonnal törölje le egy ilyen ruhával. A fejpánt 30 °C-on mosógépben mosható.

15. Tartozékok

A fejpánttal ellátott SEO 7R lámpát a következő tartozékokkal együtt szállítjuk:

- 1 db töltőkészülék plusz hálózati dugó
- 1 db hálózati kábel a töltőkészülék és az akkupakk összekapcsolásához
- 1 db akkupakk
- 1 db kezelési útmutató

A SEO 57Rtovábbi tartozékai tervezés alatt állnak. Internetes oldalunkon tájékozódhat azokról a tartozékokról, amely nem tartoznak a szállítási terjedelemben.

16. Figyelem

A csomagban lévő kis alkatrészeket vagy elemeket/akkukat ne nyelje le. A terméket vagy annak részeit (az elemeket / akkukat is beleértve) gyermekek által hozzá nem férhető helyen kell tárolni.

A termék biztonsági- és engedélyezési okokból (CE) át nem szerelhető és/vagy nem módosítható. A termék kizárólag elemmel ill. akkumulátorral működtetett lámpaként használandó. Amennyiben a terméket annak céljától eltérően vagy szakszerűtlenül használja, az károsodhat, és már nem garantált a veszélymentes használat (tűz, rövidzárlat, áramütés, stb. veszélye állhat fenn). Ebben az esetben a személyi- és anyagi károokra vonatkozó felelősség megszűnik, és a gyártói garancia is érvényét veszti.

A termék $-20\text{ }^{\circ}\text{C}$ - $+50\text{ }^{\circ}\text{C}$ hőmérséklet tartományban használható. Gondoskodjon arról, hogy a termék ne legyen kitéve szélsőséges hőmérsékleteknek, erős rázkódásnak, robbanásveszélyes környezetnek, oldószereknek és/vagy gőzöknek.

Kerülni kell a tartós, közvetlen napsugárzást, a magas páratartalmat és/vagy nedvességet is.

A termékhez mellékelte dokumentum utasításain túlmutató módosításokat, javításokat és karbantartásokat csak képzett szakember végezheti.

Ha meggyőződött arról, hogy a termékbe helyes polaritással helyezte be az elemeket / akkukat és megfelelően zárta le, de ennek ellenére nem lehetséges a normál és biztonságos üzem, vagy a termék megsérült, akkor azt üzemben kívül kell helyezni, és ki kell zárni a további használatot. Ebben az esetben a jótállás keretében forduljon az üzlethez, ahol a terméket vásárolta.

17. Biztonsági utasítások

- A termék nem játékszer.
- A lenyelhető kisalkatrészek miatt 5 éven aluli gyermekek számára használata nem megengedett.
- A terméket nem szabad a szem vizsgálatához (pl. az úgynevezett pupillateszthez) használni.
- Használatakor kerülni kell a pl. letakarás okozta hőtorlódást.
- Amennyiben a termék nem működne, először is ellenőrizni kell, hogy ezt nem az akkumulátorok ill. akkuk/elemek lemerülése, vagy helytelen módon behelyezett elemek ill. akkuk (polaritás) okozzák-e.
- Utcán történő használat esetén az adott törvényi rendelkezéseket be kell tartani.

A termék optikai sugárzás miatti leginkább károsító hatása a kék fény okozta károsodás veszélye (400 nm - 780 nm között). A termikus veszélyeztetés értékei lényegesen a határérték alatt vannak.

A szemlélők veszélyeztetése a termék használatától ill. elhelyezésétől függ. Optikai veszélyeztetés azonban nem áll fenn, amennyiben az elfordulási reakció a megvilágítási időt korlátozza, és a kezelési útmutató utasításait betartja.

Az elfordulási reakciót a megvilágítás váltja ki, és ez alatt az összes olyan természetes reakció értendő, ami védi a szemet az optikai sugárzástól. Itt elsősorban a tudatos elfordulási reakciókról, pl. a szemmozgásról vagy fejmozgásról (pl. a fej elfordításáról) van szó.

A termék használatakor figyelembe kell venni, hogy a megvilágított személyek elfordulási reakciója a gyógyszerek, drogok vagy betegség miatt gyengülhet, vagy az akár be sem következik. Nem rendeltetésszerű használat esetén a termék vakító hatása miatt visszafordítható, azaz időleges látásromlás (fiziológiai káprázás) vagy utóképek ill. zavaró érzet, pl. szorongó érzés és kimerültség (pszichológiai káprázás) fordulhat elő. Az időleges zavar mértéke és lecsengési ideje nagymértékben függ a vakító fényforrás és a környezet közötti világosság különbségtől. A termék használata előtt a különösen fényérzékeny személyeknek ki kell kérni szakorvos véleményét.

Általánosan érvényes, hogy az intenzív fényforrások vakító hatásuk miatt másodlagos veszélyességi potenciált jelentenek. Akárcsak más erős fényforrások esetében (pl. autofényszóró), időlegesen korlátozott látás és utóképek, a helyzettől függően irritáció, zaklatottság, csökkent látás vagy akár baleset is előfordulhat.

A tudnivalók egy termék használatára vonatkoznak. Amennyiben több hasonló vagy különböző fénykibocsátású terméket együtt használ, növekedhet az optikai sugárzás intenzitása.

A termék sugárzásforrásának a használó vagy más személyek általi hosszabb megfigyelését, további fényfókuszáló eszközökkel együtt vagy azok nélkül, kerülni kell! Ehelyett ilyen esetekben a szemet tudatosan be kell csukni, és a fejet a fényugártól el kell fordítani.

Ipari környezetben történő használat vagy közhasználat esetén az alkalmazási esettől függően a használt ki kell oktatni a vonatkozó törvényeknek és előírásoknak megfelelően.

Fontos magatartási szabályok:

- Ne irányítsa a fénysugarat mások szemébe.
- A használónak és más személyeknek közvetlenül a fénysugárba nézni tilos.
- Amennyiben optikai sugárzás éri a szemet, azt tudatosan be kell csukni, és a fejet a fényugártól azonnal el kell fordítani.
- A használati útmutatót és ezeket a tudnivalókat meg kell őrizni, és a termék továbbadásakor ezeket is át kell adni.
- Ne nézzen közvetlenül a termék által kibocsátott fénybe.

Veseli nas, da ste se odločili za izdelek iz naše hiše.

Preberite si ta navodila za uporabo, da se bolje seznanite s svojim novim izdelkom. Pred uporabo izdelka pazljivo preberite vse dokumente, ki so priloženi izdelku, jih shranite in v primeru predaje drugi osebi oddajte skupaj z izdelkom. Priloge so namenjene tudi temu, da lahko izdelek kar najbolje izkoristite in najdete odgovore na vprašanja.

Še posebno upoštevajte opozorila in varnostna navodila in embalažo odstranite v skladu s predpisi.

Dodatne informacije za SEO s funkcijo TEST IT

Vaša naglavna svetilka LED LENSER SEO 7R s številko artikla 6107-R (številka artikla 6007-R: brez funkcije TEST IT) so embalaže opremljene z našo tako imenovano funkcijo TEST IT. Ta funkcija omogoča preverjanje svetilnosti, ko je svetilka SEO 7R še zapakirana. Za preverjanje samo pritisnite na rumeni gumb TEST IT na sprednji strani embalaže. Med testom ne glejte direktno v svetlobo.

Gumb TEST IT je z ohišjem svetilke SEO 7R povezan prek dveh kablov, ki ju morate pred prvo uporabo odstraniti.

Za odstranjevanje gumba TEST IT in kablov odprite ohišje baterije in odstranite 3 x AAA baterije (za to si nadalje spodaj preberite tudi poglavje »Menjava akumulatorskih sklopov / NiMH akumulatorjev / alkalnih baterij«). Potem odstranite oba kabla za gumb TEST IT iz predala za baterije tako, da ju vlečete, dokler se ne izločita iz ohišja. Ponovno vstavite 3 x AAA baterije oz. akumulatorje v predal za baterije in pri tem pazite na polariteto. Ponovno zaprite predal za baterije in odstranite embalažo, gumb TEST IT in kabla v skladu z lokalno zakonodajo.

Artikel

6007-R, LED LENSER® SEO 7R

6107-R, LED LENSER® SEO 7R (Blister)

1. Baterijski sklop:

- 1 x akumulatorski sklop (v kompletu 6007-R in 6107-R) oz.
- 3 x alkalne baterije AAA/LR03/Micro (1,5 V DC) (v kompletu 6107-R) ali
- 3 x NiMH akumulatorji AAA/LR03/Micro (1,2 V DC) (ni v kompletu)

2. Vklp in izklp

V zgornjem delu ohišja naglavne svetilke SEO 7R med predalom za baterije in delom z reflektorsko lečo je stikalni gumb, s katerim vklopite svetilko SEO 7R. Ta stikalni gumb se uporablja tudi za izbiranje programov in funkcij svetjenja (gl. točko 5) in menjanje med belo in rdečo lučjo (gl. točko 5). Poleg tega lahko s stikalnim gumbom aktiviramo zaščito za prenašanje (»Transport Lock«) (gl. točko 7).

3. Izostritev

Na sprednjem, ožjem delu ohišja naglavne svetilke je reflektorska leča, prek katere se svetloba iz bele LED luči (gl. točko 5.1) združi v snop. Reflektorska leča je fiksirana z obročem iz umetne mase. Ta obroč iz umetne mase lahko s dvema prstoma obrnete in tako zelo

hitro ter preprosto spremenite izostritev.

Tako imenovani »Speed Focus« omogoča brezstopenjsko nastavljanje kota odprtine belega svetlobnega žarka.

Glede na to, ali želite osvetliti območje daleč ali tik pred vami, lahko poleg kota odprtine nastavite tudi kot svetlobnega žarka vodoravno. Poleg tega lahko del naglavne svetilke, v katerem sta reflektorska leča in bela LED luč, preprosto nagnete. Z možnostjo rastriranja lahko dosežete tudi različne vmesne nastavitve.

4. Smart Light Technology (SLT)

Svetilka SEO 7R je opremljena z našim sistemom fokusiranja Smart Light Technology (SLT). Z uporabo mikrostikalna lahko uporabnik nadzoruje svetlobno moč LED luči in uporablja različne programe in funkcije svetjenja. Enojno stikalo ima vlogo preprostega in uporabniku prijaznega vmesnika. Uporabnik lahko s svetilko SEO 7R ustvarja svetlobo različnih jakosti in na različne načine. Za to ima na voljo dva energetska načina, dva programa svetjenja in kopico funkcij svetjenja. Za vklopiljanje in izklapljanje naglavne svetilke, izbiranje različnih funkcij svetjenja ipd. se uporablja stikalo, ki je opisano v točki 2.

Svetlost svetilke SEO 7R nadzoruje vgrajena enota za preverjanje temperature.

5. Programi in funkcije svetjenja

V model SEO 7R sta vgrajeni dve LED luči (LED = Light Emitting Diode, "svetleča dioda").

Bela, zelo močna LED luč je namenjena splošni uporabi, kadar npr. uporabljate sistem Speed Focus ali nastavljate kot. Teh zelo svetlih belih luči v določenih pogojih ne morete uporabljati, če so se vaše oči privadile na temo in šibko osvetlitev okolice. Za razliko od bele luči pri rdeči drugi LED luči oči ostanejo navajene na šibko svetlobo. Svetlobnega žarka rdeče LED luči, ki je ob strani zraven reflektorske leče, ne morete izostriti ali nastaviti.

Belo in rdečo LED luč menjate, tako da pridržite stikalni gumb za pribl. 2 sekundi, ko je svetilka izklopljena. Naglavna svetilka potem začne namesto belo svetiti rdeče oz. rdeče namesto belo. Sprostite stikalni gumb, preden se luč ugasne, sicer boste aktivirali zaščito za prenašanje (gl. točko 7).

V naslednjih točkah so opisane funkcije svetjenja, ki jih lahko uporabljate z belimi LED (program svetjenja White/gl. točko 5.1) in rdečimi LED (program svetjenja „Red Night Vision“ / točka 5.2).

5.1 Program svetjenja White

Ko je aktiviran program svetjenja White (gl. Točko 5), lahko uporabljate belo, fokusirano luč v naglavni svetilki.

Če pritisnete na stikalni gumb, ko je svetilka SEO 7R ugasnjena, naglavna svetilka s funkcijo svetjenja Power zasveti z vso močjo. Če na gumb v pribl. 2 sekundah pritisnete še enkrat, uporabljate luč z manjšo svetilnostjo (funkcija svetjenja Dim). Če pri drugem nastavljanju preprosto ne pritisnete na gumb, temveč ga pridržite, lahko brezstopenjsko spremenjate svetilnost. Med časom, ko držite stikalni gumb, se svetlost s polne zmanjša na nizko jakost. Svetilka SEO 7R se na obeh končnih točkah

za nekaj časa ugasne in potem zopet večja oz. manjša svetilnost. Ko spustite stikalni gumb, svetilka obdrži trenutno svetilnost. Ta svetilnost se shrani za funkcijo svetjenja Dim, tudi če medtem ugasnete naglavno svetilko.

Če ste trikrat zaporedoma hitro pritisnili na gumb, po funkciji svetjenja Dim preklopite na funkcijo svetjenja »Automatic Dim«. Senzor zazna svetlost okolice in lahko temu primerno prilagodi svetilnost svetilke SEO 7R. Če je ta funkcija svetjenja prižgana, se svetilnost zmanjša, ko npr. posvetite na predmete v bližini. Tako se zmanjša nevarnost slepenja in npr. olajša delo za pisalno mizo. Če pa posvetite na oddaljene predmete ali je okolica temnejša, se svetilnost svetilke poveča.

V programu svetjenja White imate na voljo tudi funkcijo svetjenja Signal (počasno, enakomerno utripanje). Ko je svetilka SEO 7R ugasnjena, vklopite funkcijo svetjenja Signal, tako da na gumb pritisnete 4x zaporedoma in med vsakim pritiskom ne smeta miniti več kot dve sekundi. Če še enkrat pritisnete na gumb, se svetilka SEO 7R ugasne in po ponovnem pritisku spet vklopi funkcijo svetjenja Power. Tako se menja vrstni red funkcij svetjenja.

Upoštevajte, da s pritiskom na gumb ugasnete svetilko SEO 7R, če sta od zadnjega pritiska minili več kot 2 sekundi. Tako s pritiskom na gumb s funkcije svetjenja Automatic Dim ne boste preklopili v Signal, temveč boste svetilko ugasnili, ker nanjo niste pritisnili več kot 2 sekundi.

5.2 Program svetjenja „Red Night Vision“

Ko je aktiviran program svetjenja White (gl. točko 5), lahko uporabljate rdečo luč v naglavni svetilki.

Če pritisnete na gumb, ko je svetilka SEO 7R ugasnjena, naglavna svetilka s funkcijo svetjenja Power zasveti v vso močjo v rdeči barvi. Če na gumb v pribl. 2 sekundah še enkrat pritisnete, se vam prižge funkcija svetjenja Signal v rdeči barvi (počasno, enakomerno utripanje).

Če še enkrat pritisnete na gumb, se svetilka SEO 7R ugasne in po ponovnem pritisku spet vklopi funkcijo svetjenja Power v rdeči barvi. Tako se tudi tu menja vrstni red funkcij svetjenja.

Tudi v programu svetjenja Red Night Vision z vsakim pritiskom na stikalni gumb ugasnete svetilko SEO 7R, če sta od zadnjega pritiska minili več kot pribl. 2 sekundi. Tako s pritiskom na stikalo s funkcije svetjenja Power ne boste preklopili v Signal, temveč boste svetilko SEO 7R ugasnili, ker nanjo niste pritisnili več kot 2 sekundi.

6. Energy Modes (energijski načini)

Z izbiro enega od energijskih načinov (Energy Saving ali Constant Current) istočasno določate tudi to, kako se porablja energija v akumulatorju oz. v uporabljenih baterijah.

1. Energy Saving Svetlobno moč uravnate s pomočjo vgrajenega sistema Smart Light Technology (SLT). Svetilnost je prilagojena glede na dejanske pogoje med običajno uporabo svetilke, zaradi česar svetilka tudi dalj časa sveti.

2. Constant Current: Ta energijski način omogoča stalno uporabo vseh funkcij svetjenja z nespremenljivo svetlobno močjo. Ta možnost je na voljo, ko je visoka svetilnost pomembnejša od dolžine svetjenja.

Zamenjava energijskega načina:

Za menjanje energijskega načina mora biti v programu svetjenja aktivirana funkcija svetjenja Signal. Svetilka SEO 7R začne utripati in imate pribl. 2 sekundi časa, da pritisnete na stikalni gumb. Naglavna svetilka neha utripati in se kmalu spet prižge, in nenadoma spet ugasne ali počasi zmanjšuje svetilnost na nič. Ko se nenadoma ugasne, je v energijskem načinu Constant Current. Ko počasi zmanjša svetilnost na nič, je vklopljen energijski način Energy Saving.

S tem postopkom menjate med obema energijskima načinoma. Ne morete preveriti, v katerem energijskem načinu je svetilka SEO 7R v določenem trenutku. Izvesti morate ta postopek, če želite ugotoviti. V primeru, da svetilka SEO 7R zatem ne aktivira želenega energijskega načina, morate postopek ponoviti.

7. Zaščita za prenašanje / „Transport Lock“

Pod točko 5 so napisana navodila za menjanje med belo in rdečo LED lučjo. To dosežete, tako da gumb držite samo pribl. 2 sekundi, ko je svetilka SEO 7R izklopljena. Naglavna svetilka potem začne namesto belo svetiti rdeče oz. rdeče namesto belo. Če gumb držite dalj časa (pribl. 5 sekund), da se luč ugasne, ste aktivirali zaščito za prenašanje (Transport Lock). Zatem svetilke SEO 7R ne morete več prižgati in ob vsakem pritisku na gumb samo za hip utripa rdeče. Tako je ne morete pomotoma prižgati in nezavedno porabljati energijo.

Šele ko ponovno pridržite stikalni gumb za 5 sekund, se bo funkcija zopet onemogočila in svetilka bo nastavljena na program svetjenja White.

8. Funkcija za ponastavitev

Če odstranite uporabljeni akumulatorski sklop, NiMH akumulatorje ali alkalne baterije, ste ponastavili svetilko SEO 7R. Ponastavili ste torej eno funkcijo:

- Zaščita za prenašanje / „Transport Lock“ (glej točko 7) je deaktivirana
- Funkcija svetilke Dim sveti z zmanjšano svetilnostjo (gl. točko 5.1)
V tem primeru je aktiviran energijski način Energy Saving (gl. točko 6)
- Program svetjenja v beli barvi (glej točko 5.1) je aktiven

9. Polnjenje

Svetilka SEO 7R z utripanjem rdečih LED luči opozori, da je baterija skoraj prazna. Pravočasno napolnite akumulatorski sklop. Akumulatorski sklop za vašo svetilko SEO 7R polnite samo v suhem prostoru in samo s priloženim polnilcem oz. prek vrat USB (gl. spodaj).

Naslednja navodila upoštevajte samo za priloženo dodatno opremo. V svetilki SEO 7R ne morete polniti nobenih drugih akumulatorjev ali baterij! Ko uporabljate NiMH akumulatorje (gl. točko 1), jih lahko polnite samo v za to namenjenem zunanem polnilcu!

Skupaj z vašo svetilko SEO 7R prejmete tudi vtič in polnilec, ki ju morate v primeru, da nista povezani, povezati sami. Polnilec za SEO 7R ima vrata USB, v katera morate za polnjenje akumulatorskega sklopa SEO 7R vstaviti napajalni kabel s primernim priključkom. Drugi konec napajalnega kabla (Micro-USB) povežite z akumulatorskim sklopom (v kompletu). Za to morate po potrebi odpreti predal za baterije svetilke SEO 7R. Akumulatorski sklop lahko napajate v svetilki SEO 7R ali pa ga med polnjenjem odstranite. V polnilcu lahko polnite samo priloženi akumulatorski sklop. Na koncu vstavite vtič polnilca v vtičnico (vhodna napetost: 100 V do 240 V / 50 Hz do 60 Hz). Ko je polnjenje končano (po največ 2 ali 3 urah), izklopite napravo iz vtičnice in odstranite napajalni kabel (Micro-USB) z akumulatorskega sklopa. Če je napolnjen akumulatorski sklop še vedno priključen na omrežje, to ni nevarno.

Napajalnega kabla za USB vam ni potrebno vstavljati samo v vrata USB, temveč lahko uporabite tudi drugačna vrata USB (5 V / 900 mA) npr. na računalniku.

Prek našega USB priključka za polnjenje v avtomobilu (Led Lenser Car Charger: Art. 0380) lahko SEO 7R polnite tudi na vžigalnikih in vtičnicah v vozilih. Ta dodatna oprema se samodejno prilagodi vhodni napetosti (12 V / 24 V). To je posebno uporabno, ko v vaši bližini ni vtičnic.

Opozorilo – Prepričajte se, da ne pride do kratkega stika med kontakti za polnjenje.

Kontakti za polnjenje ne smejo priti v stik z vlažnimi ali kovinskimi predmeti.

10. Prikaz polnjenja

Ko napolnite akumulatorski sklop za SEO 7R s priloženim napajalnim kablom oz. prek vrat USB (gl. točko 9), se na njej prižge LED luč za javljanje statusa 11. Zamenjajte akumulatorski sklop / NiMH akumulatorje / alkalne baterije

Pred menjanjem izklopite svetilko SEO 7R. Na široki strani ohišja svetilke je pokrov predala za baterije. Na enaki višini, kot je gumb, je zavihek iz umetne mase. Če ga pazljivo, npr. z nohtom, povlečete navzgor, lahko navzdol odprete pokrov predala za baterije. Pri tem si pomagajte z malimi zarezami na levi in desni strani ob stikalnem gumbu.

Odstranite in na novo zamenjate lahko le akumulatorski sklop (oz. NiMH akumulatorje ali alkalne baterije).

Uporabite lahko tudi NiMH akumulatorje ali posebne alkalne baterije. **V tem primeru nikakor ne uporabljajte polnilca!**

Pri vstavljanju vedno pazite, da so baterije pravilno obrnjene. Zato pazite na pole (+ in -), tako v baterijski škatli kot tudi v akumulatorskem sklopu / NiMH akumulatorjih / alkalnih baterijah. Če tega ne storite, obstaja nevarnost, da se akumulatorji/baterije poškodujejo in morda eksplodirajo.

Priloženi akumulatorski sklop lahko polnite samo v originalnem polnilcu oz. prek vrat USB (gl. točko 9)!

Po menjavi ponovno zaprite predal za baterije.

12. Naglavni trak

V primeru, da naglavni trak še ni nameščen na svetilko, sledite spodnjim navodilom. Konec naglavnega traku z ozkim plastičnim robom od spredaj vstavite v uho na levi strani ohišja naglavne svetilke. Pri tem se orientirajte po smeri pisave na naglavnem traku. Trak potegnite čez pokrov predala za baterije do ušesa na drugi strani predala za baterije in ga vstavite skozenj. Potem konec naglavnega traku povlecite skozi srednjo, ozko režo ob karabinu. Tu ozki plastični rob vstavite v odprtino na sredi, ki vodi skozi 4 majhne mostičke. Skozi režo karabina lahko povlečete celoten rob in povežete oba roba naglavnega traku.

Uho karabina svetilke SEO 7R lahko pritrdite na pas ali nahrbtnik za prenašanje.

S pomočjo tretjega dela iz umetne mase na naglavnem traku lahko nastavljate velikost, da se prilaga glavam različnih širin.

13. Baterije/akumulatorji

V priloženem polnilcu ne smete ponovno polniti baterij, ki jih ni mogoče polniti, ali drugih akumulatorjev, temveč samo priloženi akumulatorski sklop. Nikoli istočasno ne uporabljajte akumulatorjev in baterij. Vedno zamenjajte vse akumulatorje oz. baterije hkrati. V svetilki SEO 7R uporabljajte izključno priloženi akumulatorski sklop, alkalne baterije (AAA/LR03/Micro 1,5 V DC) ali NiMH akumulatorje (AAA/LR03/Micro 1,2 V DC). Če artikla ne boste uporabljali dalj časa, odstranite akumulatorski sklop oz. NiMH akumulatorje ali alkalne baterije, da preprečite poškodbe. Odstranite izpraznjene baterije in akumulatorje in jih odvrzite v skladu z zakonodajo v vaši državi.

Za odstranjevanje baterij, posebno litijevih baterij, akumulatorjev in akumulatorskih sklopov na splošno velja, da jih je potrebno ustrezno odstraniti in samo takrat, ko so prazne. Poleg tega je pred odstranitvijo potrebno zagotoviti, da ne more priti do kratkega stika, tako da na primer čez kontakte nalepimo neprevoden lepilni trak.

Načeloma velja, da ne sme priti do kratkega stika med baterijami in tudi akumulatorji, da jih ne odpiramo, pogoltnemo ali mečemo v ogenj.

14. Čiščenje

Pri čiščenju uporabljajte suho, čisto krpo, ki ne pušča kosmov.

Če svetilka pride v stik s slano vodo, jo popolnoma odstranite s krpo, ki ne pušča kosmov.

Naglavni trak je mogoče prati v pralnem stroju pri temperaturi 30 °C.

15. Dodatna oprema

SEO 7R vključuje naglavni trak, ki je dobavljen skupaj z naslednjo dodatno opremo:

- 1 x polnilec in vtič
- 1 x napajalni kabel za povezovanje polnilca in akumulatorskega sklopa
- 1 x akumulator
- 1 x navodila za uporabo

Načrtuje se, da bo svetilka SEO 7R imela širši izbor dodatne opreme. Na naši spletni strani si lahko preberete o tej dodatni opremi, ki se bo dobavila naknadno.

16. Opozorilo

Ne pogoltnite majhnih delov ali baterij/akumulatorjev, ki so dodani v paketu. Ta artikel ali njegove dele (vklj. z baterijami/akumulatorji) hranite na mestu, nedosegljivem otrokom. Izdelka iz varnostnih razlogov in zaradi izdajanja dovoljenj (CE) ni dovoljeno predelovati ali spreminjati. Artikel se sme uporabljati izključno kot svetilka na baterijski pogon. Če se artikel uporablja neprimerno ali v nasprotju z njegovim namenom, ga lahko poškodujete in ne moremo več zagotoviti varnosti uporabe izdelka (nevarnost vžiga, kratkega stika, električnega udara ipd.). V takem primeru ne odgovarjamo več za telesne poškodbe in materialno škodo, preneha veljati tudi garancija proizvajalca. Artikel lahko upravljate pri temperaturah med -20 C° in $+50\text{ C}^\circ$. Pazite, da artikel ni izpostavljen skrajnim temperaturam, sunkom, eksplozivnem okolju, razredčilom in/ali vlagi. Prepričajte tudi, da artikel ni dolgotrajno izpostavljen neposredni sončni svetlobi, visoki vlagi in/ali se ne zmoči.

Artikel sme spreminjati, popravljati in vzdrževati na način, opisan v dokumentih, ki so priloženi artiklu, samo pooblaščen strokovnjak. Če ugotovite, da artikel s polnimi in pravilno vstavljenimi baterijami/akumulatorji, ki je pravilno zaprt, še vedno ne dela normalno in varno, ali da je izdelek poškodovan, ga nehajte uporabljati. V tem primeru se za uveljavljanje garancije obrnite na svojega dobavitelja.

17. Varnostna opozorila

- Izdelek ni otroška igračka.
- Izdelek ni primeren za osebe, mlajše od 5 let, ker lahko pogoltnejo majhne dele.
- Izdelek se ne sme uporabljati za preglede oči (npr. odzivnosti zenic).
- Med uporabo pazite, da se izdelek ne pregreje, ker je npr. s čim pokrit.
- V primeru, da izdelek ne deluje, najprej preverite, če so razlog za to prazni akumulatorji ali nepravilno vstavljeni akumulatorji/baterije (polariteta).
- Med uporabo v cestnem prometu upoštevajte veljavne zakonske določbe.

Najbolj omejujoča nevarnost tega artikla zaradi optičnega sevanja je nevarnost zaradi modre svetlobe (400 nm do 780 nm). Mejne vrednosti toplotne nevarnosti so znatno podkoračene.

Nevarnost za opazovalca je odvisna od uporabe oz. namestitve artikla. Vendar pa optične nevarnosti ni, dokler odvrnitvene reakcije omejujejo trajanje izpostavljenosti in uporabnik upošteva napotke v teh navodilih. Odvrnitvene reakcije se sprožijo zaradi izpostavljenosti, mednje pa sodijo vse naravne reakcije, ki oko ščitijo pred nevarnostmi zaradi optičnega sevanja. Pri tem gre predvsem za zavestne odvrnitvene reakcije, kot so premik oči ali glave (npr. odvrnitev).

Pri uporabi artikla je treba še posebej upoštevati, da lahko zdravila, droge ali boleznijo močno poslabšajo odvrnitvene reakcije obsevanih oseb oz. jih lahko onemogočijo. Zaradi nepravilne uporabe lahko zaradi učinka zaslepitve artikla pride do povratnih, t. j. začasnih motenj vida (fiziološka zaslepitev) ali do podvajanja vida oz. slabega občutka, kot sta neugodje in utrujenost (psihološka zaslepitev). Stopnja in čas pojemanja začasnih motenj sta v veliki meri odvisna od razlike v svetlosti med virom bleščeče svetlobe in okolico. Predvsem fotosensibilne osebe se morajo pred uporabo artikla posvetovati s specialistom. Načeloma velja, da imajo intenzivni viri svetlobe zaradi svojega učinka zaslepitve visok sekundarni potencial nevarnosti. Kot tudi po pogledu v druge svetle vire svetlobe (npr. žaromet avtomobila), lahkočasno omejena vidljivost in podvajanje vida glede na situacijo vodita do draženja, obremenitev, prizadetosti ali celo nesreč. Napotki veljajo za uporabo enega artikla. Če skupaj uporabljate več enakih artiklov ali artiklov, ki oddajajo različno svetlobo, se lahko intenzivnost optičnega sevanja poveča. Izogibati se je treba dolgemu opazovanju vira sevanja v artiklu, tako z ustrezno zaščito za oči kot tudi brez nje! V takšnih primerih je treba oči zavedno zapreti in glavo umakniti iz svetlobnega žarka.

Pri obrtni uporabi ali uporabi na javnih območjih je treba uporabnika glede na primer uporabe, seznaniti z vsemi veljavnimi zakoni in predpisi.

Pomembna pravila za vedenje:

- Svetlobnega žarka ne usmerjajte neposredno v oči oseb.
- Uporabnik ali druge osebe ne smejo gledati neposredno v žarek.
- Če vas optični žarek zadene v oči, jih zavedno zaprite in glavo takoj umaknite iz poti žarka.
- Navodila za uporabo in te napotke je treba shraniti in jih pri predaji artikla izročiti skupaj z njim.
- Prepovedano je gledati v svetlobo, ki jo neposredno oddaja artikel.

Благодарим Вас за покупку нашей продукции.

Данное руководство по эксплуатации поможет Вам изучить приобретенное устройство. Перед началом работы с устройством внимательно изучите все сопроводительные документы, сохраните эти документы в надежном месте; при передаче устройства третьему лицу вместе с устройством необходимо передать сопроводительные документы. Таким образом, Вы сможете использовать устройство наилучшим образом, и у Вас не возникнет многих вопросов. В первую очередь, необходимо строго соблюдать предупреждения и правила безопасной работы и утилизации упаковочных материалов.

Налобный фонарь Led Lenser SEO 7R снабжен функцией проверки яркости, которая позволяет пользователю проверить уровень яркости продукта, не извлекая его из упаковки. Для теста просто необходимо нажать желтую кнопку TEST IT на передней части коробки. Тестовая кнопка соединена с секцией батареек SEO 7R, и должна быть отсоединена перед непосредственным использованием фонаря.

Чтобы отсоединить тестовую кнопку, извлеките 3 батарейки AAA (ниже см. также Смена батареек/Аккумулятор NiMH/Алкалиновые батарейки). Отделите 2 проводка тестовой кнопки от секции батареек. Корректно вставьте обратно батарейки AAA и закройте секцию батареек.

Название изделия:

6007-R, LED LENSER® SEO 7R

6107-R, LED LENSER® SEO 7R (выпуклый)

1. Комплект элементов питания:

- 1 модульный аккумулятор (входит в комплект поставки 6007-R и 6107-R) или
- 3 щелочных элемента питания размером AAA/LR03/Micro (постоянное напряжение 1,5В) (входят в комплект поставки 6107-R) или
- 3 3 никель-металлогидридных аккумулятора размером AAA/LR03/Micro (постоянное напряжение 1,2В) (не входят в комплект поставки)

2. Включение и выключение

В верхней части корпуса фонаря SEO 7R, между отсеком для элементов питания и частью с отражающей линзой, находится кнопочный выключатель. Нажмите на эту кнопку, чтобы включить фонарь SEO 7R. Также с помощью этой кнопки вы можете выбрать различные функции и режимы освещения (см. Пункт 5), и включить красный свет или белый свет (см. Пункт 5). Кроме того, Вы можете использовать функцию защитной блокировки (см. пункт 7).

3. Фокус

Спереди, в более узкой части корпуса фонаря, находится отражательная линза, которая фокусирует свет, излучаемый

светодиодами (см. Пункт 5.1), проходящий через эту линзу. Отражательная линза вставлена в пластиковое кольцо. Вы можете легко изменить фокусировку, для этого возьмите кольцо двумя пальцами, и поверните его. Этот механизм называется «механизм быстрой фокусировки», он позволяет изменить угол расхождения луча белого света.

В зависимости от того, какую область Вам нужно осветить, предметы, находящиеся на расстоянии, или предметы, находящиеся рядом с Вами, Вы можете изменить угол наклона фонаря относительно горизонтальной плоскости. Для этого достаточно просто наклонить часть фонаря, в которой находится отражательная линза и белый светодиод. Благодаря специальному фиксатору Вы можете зафиксировать фонарь в одном из нескольких положений.

4. Технология Smart Light

В фонаре SEO 7R используется технология Smart Light. Благодаря микроконтроллеру Вы можете регулировать яркость свечения светодиода и использовать различные функции фонаря и режимы освещения. Фонарь имеет только одну кнопку, поэтому он очень прост в обращении. Фонарь SEO 7R может работать в нескольких режимах. Фонарь имеет два режима потребления энергии, два режима освещения и несколько функций. Для того чтобы включить или выключить карманный фонарь, или выбрать одну из его функций, достаточно нажать на одну кнопку (см. Пункт 2). Яркость свечения фонаря SEO 7R контролируется обычным способом – с помощью встроенной схемы контроля температуры.

5. Режимы освещения и функции фонаря

Фонарь SEO 7R имеет два светодиода (СД). Белый СД светит очень ярко, и идеально подходит для обычного режима работы, например, если необходимо выполнить быструю фокусировку или изменить угол наклона луча света относительно горизонтальной поверхности. Глаза, привыкшие к слабому естественному свету во время так называемой адаптации к темноте, могут плохо переносить очень яркий белый свет. В отличие от белого света, красный свет красного светодиода имеет меньшую яркость, поэтому глазам не приходится приспосабливаться к яркому свету. Пользователь не может изменить фокусировку и угол наклона светового луча красного светодиода, который находится сбоку от отражательной линзы, относительно горизонтальной поверхности. Для того чтобы изменить свет с белого на красный, нажмите кнопку, и удерживайте ее в течение двух секунд, пока фонарь SEO 7R выключен. Фонарь изменит свет с белого на красный или наоборот, после этого отпустите кнопку, до того как погаснет свет. Если Вы будете удерживать нажатую кнопку слишком долго, включается режим защитной блокировки (см. раздел 7)! В следующих пунктах описаны функции фонаря с включенным белым светодиодом

(режим освещения «Белый свет» / Пункт 5.1) и красным светодиодам (режим освещения «Красный ночной свет» / Пункт 5.2).

5.1 Режим освещения «Белый свет»

При выборе этого режима (см. Пункт 5) фонарь светит белым светом, в этом режиме можно изменить фокусировку светового луча. Если Вы нажмете на кнопку, когда фонарь SEO 7R выключен, фонарь включится и будет светить с максимальной яркостью, эта функция называется «Яркий свет». Если Вы снова нажмете на кнопку в течение двух секунд, фонарь SEO 7R уменьшит яркость луча света (функция «неяркий свет»). Если при втором нажатии на кнопку Вы удержите нажатую кнопку, Вы сможете изменить яркость светового луча в широком диапазоне. При удержании нажатой кнопки фонаря яркость света будет уменьшаться от максимального до минимального уровня. Когда яркость света достигнет максимального или минимального уровня, свет фонаря SEO 7R вспыхнет на короткое время.

Яркость света фонаря SEO 7R изменяется резко, а затем она снова увеличивается или уменьшается (свет фонаря SEO 7R вспыхнет на короткое время, когда яркость достигает максимального или минимального уровня). Измененные настройки яркости сохранятся, после того как Вы отпустите кнопку. Уровень яркости, измененный с помощью функции «Неяркий свет» останется таким же, даже после выключения фонаря.

Следующая функция режима «Белый свет», которая включается после функции «Неяркий свет», - это функция «автоматическое уменьшение яркости» (быстро нажмите на кнопку три раза подряд, чтобы использовать эту функцию). Фонарь SEO 7R изменяет яркость луча света в зависимости от освещенности окружающей среды, которую измеряет датчик. Эта функция позволяет уменьшить вероятность ослепления и облегчить работу, например за приборной доской. Яркость свет увеличивается, если Вам нужно осветить предметы, находящиеся на большом расстоянии, или вокруг становится темнее.

Последняя функция режима «Белый свет» - это функция «Сигнал» (долгие равномерные вспышки). Чтобы включить фонарь SEO 7R и использовать эту функцию, нажмите на кнопку четыре раза, интервал между нажатиями на кнопку должен быть не более 2 секунд.

При следующем нажатии на кнопку фонарь SEO 7R выключится, и при следующем нажатии кнопки цикл повторится сначала, т.е., фонарь включится в режиме «яркий свет». Таким образом, функции фонаря создают цикл. Помните, что если после нажатия кнопки прошло более двух секунд, при следующем нажатии кнопки фонарь выключится. Например, если после того, как вы нажали на кнопку и включили фонарь в режим «автоматическое уменьшение яркости», прошло более двух секунд, при следующем нажатии кнопки фонарь SEO 7R не переключится в режим «неяркий свет», а выключится.

5.2 Режим освещения «Красный ночной свет»

При выборе режима «Красный ночной свет» (см. Пункт 5) фонарь будет светиться красным светом.

Если Вы нажмете на кнопку, когда фонарь SEO 7R выключен, фонарь включится и будет светить красным светом с максимальной яркостью (функция «Яркий свет»). Если в течение двух секунд Вы снова нажмете на кнопку, фонарь SEO 7R переключится в режим «сигнал» (долгие равномерные вспышки).

Функция «Сигнал» - это последняя функция, которой вы можете воспользоваться в режиме «Красный ночной свет», то есть при следующем нажатии на кнопку фонаря SEO 7R выключится, и при следующем нажатии кнопки цикл повторится сначала, т.е., фонарь включится в режиме «яркий свет».

Таким образом, функции фонаря создают цикл. Помните, что если после нажатия кнопки прошло более двух секунд, при следующем нажатии кнопки фонарь выключится. Например, если после того, как вы нажали на кнопку и включили фонарь в режим «Яркий свет», прошло более двух секунд, при следующем нажатии кнопки фонарь SEO 7R выключится, а не переключится в режим «Сигнал».

6. Режимы потребления энергии

Выбрав один из двух режимов потребления энергии (режим экономии энергии или режим непрерывной работы), Вы решаете, каким образом будет использоваться энергия аккумулятора или элементов питания.

1. Режим экономии энергии: встроенная система управления Smart Light Technology регулирует яркость света. Яркость света зависит от условий окружающей среды, которые существуют во время работы фонаря в обычном режиме работы, этот режим позволяет увеличить время работы фонаря.

2. Режим непрерывной работы: В этом режиме потребления энергии пользователь может непрерывно использовать любые функции фонаря, фонарь будет непрерывно светить с большей или меньшей яркостью. Этот режим потребления энергии рекомендуется использовать в условиях, когда яркий свет фонаря важнее его времени работы.

Выбор режима потребления энергии

Для того чтобы выбрать режим потребления энергии, нужно включить одну из функций фонаря в режиме «белый свет», например, функцию «сигнал» (фонарь SEO 7R будет медленно равномерно мигать). После этого нажмите на кнопку, и удерживайте ее около двух секунд. Фонарь SEO 7R выключится. А затем снова включится через некоторое время. После этого фонарь резко выключится или практически перестанет светить. Если яркость света будет постепенно уменьшаться, пока фонарь не погаснет, это означает, что Вы выбрали режим экономии энергии. Если яркость света не изменяется, а потом свет резко выключается, это означает,

что Вы выбрали режим непрерывной работы. С помощью этого способа Вы можете изменить режим потребления энергии. Вы не сможете определить, какой режим потребления энергии используется в данный момент. Выполните вышеуказанные действия, чтобы определить, какой режим потребления энергии используется в данный момент. Если фонарь SEO 7R переключится в режим потребления энергии, который Вы не собирались использовать, снова повторите вышеуказанную процедуру.

7. Защитная блокировка

В пункте 5 описан способ включения белого света и красного света. Для того чтобы включить другой свет, нажмите на кнопку, и удерживайте ее около двух секунд, когда фонарь SEO 7R выключен. Фонарь изменит свет с белого на красный или наоборот. Если Вы будете удерживать нажатую кнопку дольше (около 5 секунд), пока не погаснет свет, Вы включите функцию «Защитная блокировка». После этого фонарь SEO 7R не включится при следующем нажатии на кнопку, но на короткое время вспыхнет красный свет, который указывает на то, что включена функция защитной блокировки. Защитная блокировка предотвращает случайное или преднамеренное включение фонаря SEO 7R и случайный разряд элементов питания.

Чтобы выключить функцию защитной блокировки, нужно нажать на кнопку, и удерживать ее в течение 5 секунд, после этого фонарь переключится в режим «Яркий свет».

8. Сброс функций

Если из фонаря был извлечен модульный аккумулятор, щелочные элементы питания или никель-металлогидридный аккумулятор, Вы сбросите следующие функции фонаря:

- Функция защитной блокировки (см Пункт 7) становится неактивной;
- Яркость светового луча при использовании функция «неяркий свет» (см. пункт 5.1) будет минимальной;
- Фонарь переключится в режим экономии энергии (см. Пункт 6);
- Включится режим освещения «Белый свет» (см. пункт 5.1).

9. Заряд

Когда фонарь SEO 7R начинает мигать красным светом, это указывает на то, что в ближайшее время разрядится аккумулятор. Не забывайте своевременно заряжать модульный аккумулятор. Аккумулятор фонаря SEO 7R можно заряжать только в сухом месте и только с помощью зарядного устройства, входящего в комплект поставки, или через порт USB (см. далее). Следующая информация касается только аксессуаров, входящих в комплект поставки. Фонарь SEO 7R не предназначен для заряда других аккумуляторов или элементов питания. Если фонарь работает от никель-металлогидридных аккумуляторов (см. Пункт 1), для заряда этих аккумуляторов следует использовать сертифицированное внешнее зарядное устройство.

В комплект поставки фонаря SEO 7R входит зарядное устройство и кабель с вилкой. Подключите кабель к зарядному устройству, если он не подключен. При подключении кабеля должен раздаться щелчок.

Зарядное устройство фонаря SEO 7R имеет порт USB. Вставьте в это порт соответствующий разъем кабеля зарядного устройства, входящего в комплект поставки, чтобы зарядить модульный аккумулятор. Разъем на другом конце кабеля зарядного устройства (micro USB) подключается к модульному аккумулятору, который входит в комплект поставки. Возможно, для этого вам потребуется открыть отсек элементов питания. Модульный аккумулятор можно зарядить двумя способами: он может находиться в отсеке элементов питания SEO 7R во время заряда, или его можно извлечь из этого отсека для заряда. Зарядное устройство предназначено исключительно для заряда модульного аккумулятора, входящего в комплект поставки.

После этого вставьте вилку в розетку электрической сети (с напряжением 110 – 220 В / 50 – 60Гц). После окончания заряда (не позже чем через 2 – 3 часа) отключите зарядное устройство от электрической сети, и отсоедините кабель зарядного устройства (micro-USB) от модульного аккумулятора. Модульный аккумулятор может оставаться во включенном зарядном устройстве даже после того, как он полностью зарядится. Кабель зарядного устройства можно подключать не только к порту USB зарядного устройства, но и к другим устройствам, имеющим порт USB (5В / 900 мА), например, к компьютеру.

С помощью фирменного автомобильного зарядного устройства с портом USB (автомобильное зарядное устройство для линзового светодиодного фонаря, Арт. № 0380) Вы можете зарядить аккумуляторный модуль фонаря SEO 7R от прикуривателя и автомобильных разъемов. Автомобильное зарядное устройство автоматически настраивается на соответствующее входное напряжение (12 В / 24В). С помощью автомобильного зарядного устройства Вы можете зарядить аккумуляторный модуль, даже если рядом с Вами нет электрической сети.

Примечание – убедитесь, что на контактах зарядного устройства не возникает короткого замыкания. Контакты зарядного устройства не должны соприкасаться влажными или металлическими предметами.

10. Индикатор уровня заряда

При заряде модульного аккумулятора фонаря SEO 7R в соответствующем зарядном устройстве, когда кабель зарядного устройства подключен к порту USB (см. Пункт 9), индикатор состояния на зарядном устройстве светится красным цветом. Когда аккумулятор полностью зарядится, индикатор изменит цвет на зеленый.

11. Заряд модульного аккумулятора / никель-металлогидридного аккумулятора / щелочных элементов питания

Выключите фонарь SEO 7R перед зарядом аккумулятора.

Крышка отсека элементов питания находится на широкой стороне корпуса фонаря. Рядом с кнопкой имеется небольшой выступ. Аккуратно нажмите на этот выступ, например, большим пальцем, после этого можно будет открыть крышку отсека элементов питания, зацепив ее за маленькие выемки, которые находятся слева и справа от кнопки.

Выньте модульный аккумулятор (или щелочные элементы питания или никель-металлогидридный аккумулятор), вставьте заряженный аккумулятор.

Вы также можете вставить в фонарь никель-металлогидридные аккумуляторы или щелочные элементы питания, но в этом случае вы не сможете использовать зарядное устройство!

При установке аккумулятора или новых элементов питания убедитесь, что они расположены в соответствующем направлении. Обратите внимание на полярность (+ и -). Полосы, обозначенные на отсеке, должны совпадать с полюсами модульного аккумулятора, никель-металлогидридных аккумуляторов или щелочных элементов питания. В противном случае аккумуляторы или элементы питания, теоретически, могут быть повреждены или могут взорваться.

Модульный аккумулятор, входящий в комплект поставки, можно заряжать только в оригинальном зарядном устройстве или с помощью порта USB (см. Пункт 9)! После заряда аккумуляторов закройте крышку отсека.

12. Ремешок

Выполните следующие действия, если фонарь не закреплен на ремешке.

Вставьте конец ремешка с тонким пластиковым наконечником в отверстие на левом боку корпуса фонаря в направлении крышки отсека с элементами питания. Обратите внимание на положение надписи на ремешке. Пропустите ремешок под крышкой, и вдените его в отверстие на противоположной стороне отсека с элементами питания. Потяните за ремешок, его конец должен быть направлен в стону передней части фонаря.

Проденьте этот конец ремешка сквозь отверстие, в пластиковой детали, прикрепленной к другому концу ремня, которое недалеко от фиксатора. Через это удлиненное отверстие проходят четыре небольших стержня; проденьте конец ремешка с тонким пластиковым наконечником между стержнями, так чтобы он заходил сбоку. Благодаря этому, конец ремешка пройдет через все отверстие, и вы сможете соединить концы ремешка друг с другом.

Благодаря отверстию на фиксаторе фонарь SEO 7R можно закрепить, например, на ремне или на рюкзаке во время переноски. Третья пластмассовая деталь на ремешке предназначена для регулировки длины ремешка в зависимости от размера головы.

13. Аккумуляторные батарейки / аккумуляторы

В зарядном устройстве запрещается заряжать одноразовые элементы питания и другие аккумуляторы, которые отличаются от аккумулятора, входящего в комплект поставки. Одноразовые элементы питания запрещено использовать вместе с аккумуляторами. При замене элементов питания или аккумуляторов необходимо заменить все элементы питания или аккумуляторы. Фонарь SEO 7R должен работать только от модульного аккумулятора (который входит в комплект поставки), щелочных элементов питания размером AAA/LR03/Micro (с постоянным напряжением 1,5 В) или никель-металлогидридных аккумуляторов размером AAA/LR03/Micro (с постоянным напряжением 1,2 В). Выньте из фонаря модульный аккумулятор, никель-металлогидридные аккумуляторы или щелочные элементы питания, если вы не будете пользоваться фонарем долгое время, это поможет избежать повреждения фонаря.

Выньте из фонаря разряженные элементы питания или неработающие аккумуляторы, и утилизируйте их в соответствии с национальным законодательством.

Как правило, при утилизации элементов питания, в частности литиевых элементов питания, аккумуляторов и модульных аккумуляторов, необходимо соблюдать правило – изделия должны быть разряжены и утилизированы должным образом. Кроме того, перед утилизацией полюса элементов питания необходимо заклеить диэлектрической липкой лентой, чтобы предотвратить короткое замыкание. Соблюдайте общее правило: примите меры, которые позволят предотвратить короткое замыкание аккумуляторов или элементов питания, не открывайте аккумуляторы и элементы питания, не вводите их внутрь тела и не бросайте их в огонь.

14. Чистка

Фонарь можно очистить сухой чистой тканью, не содержащей волокон хлопка. При попадании соленой воды на фонарь, немедленно вытрите его тканью, не содержащей волокон хлопка. Ремешок можно стирать в стиральной машине при температуре 30°C.

15. Комплект поставки

Фонарь с ремешком SEO 7R поставляется со следующими аксессуарами: зарядное устройство со шнуром питания, 1 шт. кабель для подключения зарядного устройства к модульному аккумулятору, 1 шт. Модульный аккумулятор, 1 шт. Руководств по эксплуатации, 1 шт.

Мы создаем дополнительные аксессуары для фонаря SEO 7R. На сайте нашей компании Вы можете ознакомиться с информацией о дополнительных аксессуарах, не входящих в комплект поставки.

16. Меры предосторожности

Не проглатывайте небольшие детали, элементы питания или аккумуляторы. Фонарь и его компоненты (в том числе элементы питания и аккумуляторы) должны храниться в местах, недоступных для детей. Для обеспечения безопасности и соответствия (требованиям CE), запрещается вносить изменения в конструкцию фонаря. Фонарь должен использоваться исключительно как лампа, работающая от аккумулятора или элементов питания. При использовании в иных целях или при неправильном использовании фонарь SEO 7R может быть поврежден и может представлять опасность (опасность возгорания, короткого замыкания, поражения электрическим током, и т.д.). В этом случае производитель не несет ответственности за ущерб, причиненный персоналу или собственности, а гарантийные обязательства производителя, касающиеся данной продукции, становятся недействительными. Фонарь SEO 7R сохраняет работоспособность в диапазоне температур от -20°C до +50°C. Убедитесь, что фонарь не подвергается воздействию температур, выходящих за рамки данного диапазона, сильных вибраций, растворителей и (или) паров и не используется во взрывоопасной атмосфере. Фонарь не должен находиться под прямыми солнечными лучами или во влажном воздухе в течение длительного времени, и на него не должна попадать влага.

Только компетентные специалисты могут изменять конструкцию, осуществлять ремонт и обслуживание продукции, и выполнять другие действия, не указанные в сопроводительных документах. Если вы столкнулись с тем, что элементы питания или аккумуляторы полностью заряжены и установлены в правильное положение (правильная полярность!), крышка отсека с элементами питания закрыта, но, несмотря на это, фонарь не работает должным образом, представляет опасность или имеет повреждения, считается, что фонарь неисправен. Необходимо прекратить использование такого фонаря. В этом случае Вы должны обратиться к своему дилеру по вопросам, касающимся гарантии.

17. Правила безопасной работы

- Не давайте детям играть с фонарем.
- Фонарь имеет маленькие детали, которые может проглотить человек, не давайте фонарь детям младше 5 лет.
- Фонарь запрещено использовать для обследования глаз (например, при обследовании учеников).
- Фонарь не должен нагреваться во время работы (например, из-за того, что он накрыт различными материалами).
- Если фонарь вышел из строя, в первую очередь необходимо убедиться, что элементы питания или аккумуляторы установлены соответствующим образом и не разряжены.
- Соблюдайте соответствующие правовые

нормы, если вы используете фонарь для дорожного движения.

Основной опасностью, которую представляет оптическое излучение фонаря, является синее оптическое излучение (в диапазоне 400 нм – 780нм). Предельные значения безопасной температуры гарантированно не достигаются.

Опасность для человека, который смотрит на свет фонаря, зависит от того, как используется, или как расположен фонарь. Однако, фонарь не опасен для зрения, так как реакции отвращения ограничивают время воздействия, если пользователь соблюдает правила, описанные в данном руководстве по эксплуатации. Реакции отвращения возникают из-за воздействия, это естественные реакции организма, который стремится защитить глаза от опасного светового излучения. В частности, к таким реакциям относятся реакции сознательного отвращения, например, движение глазами или головой (например, поворот головы).

При работе с фонарем очень необходимо помнить, что реакции отвращения у человека, на которого направлен свет, могут быть ослаблены или полностью отсутствовать в результате лечения, приема медицинских препаратов или из-за заболевания.

При неправильном использовании фонаря, из-за ослепляющего действия света, может произойти обратное, то есть временное, ухудшение зрения (физиологическая слепота), возникнуть последовательные образы или ухудшиться самочувствие, которое выражается в виде тошноты или чувства усталости (физиологическая слепота). Степень временного ухудшения самочувствия или время до исчезновения симптомов, в основном, зависит от разницы между яркостью ослепляющего источника света и освещенностью окружающей среды. В частности, светочувствительные люди должны проконсультироваться с врачом перед началом использования фонаря. Важно помнить, что источник света высокой интенсивности может причинить серьезный вторичный ущерб из-за ослепляющего действия. Свет фонаря, так же как и другие источники яркого света (например, автомобильные фары), может вызывать временное ограниченное ухудшение зрения и остаточные изображения, которые, в зависимости от обстоятельств, могут привести к раздражению, дискомфорту, ухудшению самочувствия или несчастным случаям.

Вышеуказанные сведения касаются воздействия одного источника светового излучения. При одновременном воздействии нескольких однотипных источников светового излучения или источников разного типа интенсивность оптического излучения может увеличиваться.

Пользователь или другие люди не должны смотреть / или допускать долговременного воздействия света, излучаемого фонарем, на глаза при наличии или при отсутствии света, излучаемого другими устройствами! Если свет фонаря направлен в глаза в течение долгого времени, необходимо закрыть глаза и повернуть голову, так чтобы луч света не попадал в глаза.

При коммерческом использовании нашей продукции государственными органами пользователь должен быть осведомлен обо всех действующих законах и нормах, касающихся отдельных случаев использования данной продукции.

Важные правила поведения:

- Не направляйте луч света прямо в глаза человека.
- Пользователь или любой другой человек не должен смотреть прямо на луч света.
- При попадании светового луча в глаза необходимо закрыть глаза и повернуть голову, так чтобы луч света не попадал в глаза.
- Руководство по эксплуатации и данные правила необходимо хранить в надежном месте, и передать их вместе с устройством.
- Запрещается смотреть прямо на свет, излучаемый фонарем.

당사 제품을 구매하여 주셔서 감사 드립니다. 다음은 구매 제품 사용 시편의를 위한 설명서입니다. 제품에 동반되는 모든 서류는 제품을 사용하기 전에 유심히 읽고 주의하여 보관해야만 하고 제품이 제 3 자에게 양도되는 경우, 서류들을 함께 전달되어야만 합니다. 제품으로부터 발생하는 최대 해택과 사용자로부터의 질문들은 그것들이 발생하기 전에 반드시 예상됩니다. 특히, 경고와 안전 수칙을 준수하며 포장재를 적절히 폐기하여 주십시오.

TEST IT 기능과 함께 SEO 에 관한 추가적인 정보

품번 6107-R 인 LED LENSER SEO 7R 헤드 램프는 TEST IT 기능이 있도록 포장되었습니다 (품번 6007-R: TEST IT 기능 없음). 이것은 제품이 포장되어 있는 상태에서도 밝기를 테스트할 수 있도록 해줍니다. 테스트하기 위해 간단히 포장물 앞에 있는 노랑색의 TEST IT 버튼을 눌러주시면 됩니다. 테스트하면서 빛을 직접적으로 보지 않도록 해주십시오.

TEST IT 버튼은 두 개의 전선을 통해 SEO 7R 의 건전지 소켓에 연결되어 있으며 이는 사용 전에 제거되어야만 합니다.

TEST IT 버튼과 전선들을 제거하기 위해 건전지 소켓을 열고 AAA 건전지 3 개를 제거합니다 (아래에 있는 "알칼리 건전지 / 충전지 팩 / NiMH- 충전지의 교환"을 참조 바랍니다). 건전지 소켓으로부터 두 것이 빠질 때까지 각 전선을 잡아당겨서 두 개의 TEST IT 버튼 전선들을 분리합니다. 정확한 양극성에 주의하여 AAA 건전지 또는 축전지 3 개를 삽입합니다. 건전지 소켓을 닫습니다. 현지 규정에 따라 포장물 및 TEST IT 버튼과 전선들을 폐기 혹은 재활용하여 주십시오.

제품
LED LENSER
6007-R LED LENSER® SEO 7R
6107-R LED LENSER® SEO 7R (Blister)

1. 건전지 세트 :

- 1 x 축전지 팩 (6007-R 과 6107-R 의 배송 범위)
- 3 x 알칼리 건전지 AAA/LR03/Micro (1.5 V DC) (6107-R 의 배송 범위) 또는
- 3 x NiMH- 축전지 AAA/LR03/Micro (1.2 V DC) (배송 범위 미포함)

2. 전원 (꺼짐 / 켜짐)

건전지 소켓과 반사 렌즈가 있는 부품 사이에 있는 SEO 7R 의 헤드 램프 하우징의 윗부분에 스위치 버튼이 있습니다. 스위치 버튼은 SEO 7R 의 전원을 켤 때 사용됩니다. 또한, 다양한 빛 프로그램과 빛 기능 (5 번 참고) 을 활성화 시키거나 백색 빛과 적색 빛 (5 번 참고) 을 전환하기 위해서도 사용됩니다. 덧붙여, "운송 잠금" (7 번 참고) 도 활성화할 수 있습니다.

3. 포커스

앞의 헤드 램프 하우징의 좁은 부분은 백색 LED (5.1 번 참고) 의 빛이 포커스 되게 하는 반사 렌즈입니다. 반사 렌즈는 플라스틱 링으로 열립니다. 두 손가락을 사용하여 플라스틱 링을 돌릴 수 있고 따라서 빠르고 쉽게 포커스를

를 조절할 수 있습니다. 소위 빠른 포커스가 지속적으로 백색 빛의 각도를 조절할 수 있게 해줍니다.

거리가 있는 영역 혹은 앞의 영역에 비추길 원하는지에 따라 수평으로 빛의 각도를 조절할 수 있습니다. 이를 위해 반사 렌즈와 백색 LED 가 포함된 헤드 램프 부분을 간단히 앞으로 밀어주면 됩니다.

4. 고급 조명 기술 (SLT)

SEO 7R 은 당사의 고급 조명 기술 (SLT) 을 갖 추고 있습니다. 마이크로 제어 장치의 사용 덕분에 LED 의 빛 출력이 조절되고 사용자는 다양한 빛 프로그램과 빛 기능을 사용할 수 있습니다. 단일 스위치를 사용함으로써, 간단하고 사용하기 쉬운 인터페이스를 설계할 수 있습니다. SEO 7R 은 다른 방법들로 빛을 사용자에게 제공할 수 있습니다. 그러므로 이용 가능한 두 가지 빛 프로그램과 많은 빛 기능이 있습니다. 전원을 켜고 끄기 위해 그리고 다양한 빛 기능 등을 선택하기 위해 스위치 (2 번 참고) 가 사용됩니다.

기본적으로 적용이 되는 것은 SEO 7R 의 밝기가 내장된 온도 제어 장치에 의해 모니터 된다는 것입니다.

5. 빛 프로그램과 빛 기능

SEO 7R 에는 2 개의 LED (= 발광 다이오드) 가 설치되어 있습니다.

백색 LED 는 매우 강하며 일반적인 사용에 적합합니다. 예를 들어, 빠른 포커스나 수평으로 빛 각도 조절이 사용될 수 있습니다. 매우 밝은 백색 빛은 낮은 주변 빛에 소위 어둠 적응을 통해 눈이 익숙해졌을 때는 좋지 않을 수 있습니다. 이 경우, 백색 빛의 사용보다 적색 LED 의 적색 빛을 사용하면 낮은 밝기로 눈이 현재 상태로 남아있게 됩니다. 반사 렌즈 옆에 측면으로 위치한 적색 LED 의 수평적인 빛 각도와 포커스는 조절될 수 없습니다.

백색과 적색 LED 사이를 전환하려면 SEO 7R 의 전원을 끄고 2 초 동안 스위치 버튼을 누르고 있습니다. 헤드 램프는 적색에서 백색 혹은 백색에서 적색으로 변경될 것이고 스위치 버튼을 오래 누르고 있으면 "운송 잠금" (7 번 참고) 이 활성화되므로 빛이 꺼지기 전에 스위치 버튼에서 손을 뗍니다.

아래 항목들은 백색 LED (빛 프로그램 백색 / 5.1 번) 과 적색 LED / 빛 프로그램 "적색 야간 시력" / 5.2 번) 를 다룹니다.

5.1 빛 프로그램 백색

빛 프로그램 백색이 활성화되면 (5 번 참고), 헤드 램프의 백색 빛을 사용할 수 있습니다. SEO 7R 의 전원이 꺼져있을 때 스위치 버튼을 누르면 헤드 램프는 최대 밝기로 빛 기능 전원이 켜집니다. 2 초 안에 스위치를 다시 누르면 SEO 7R 은 감소된 밝기 (빛 저전력) 로 켜집니다. 2 초 안에 재차 버튼을 아래로 누르면 무한대로 빛을 변경할 수 있습니다. 스위치 버튼이 눌러지는 순간 빛은 최대 밝기와 감소된 밝기 사이에서 서로 다릅니다. SEO 7R 은 최고 및 최저 밝기에 도달하자마자 짧은 순간 동안 꺼집니다 (점멸). SEO 7R 의 양쪽 끝에서 전원이 짧게 꺼지고 좀 더 밝아지거나 좀 더 어두워집니다 (양쪽 끝에서 점멸 신호가 발생). 스위치 버튼에서 손을 떼면 현재 밝기가 고정됩니다. 이 밝기는 헤드 램프의 전원을 꺼도 빛 기능 저전력을 위해 유지됩니다.

빛 기능 저전력 (총 3 회의 빠른 전환) 후 빛 기능 "자동 저전력" 이 제공됩니다. 감지기는 환경의 밝기를 감지하고 SEO 7R 의 밝기를 조절할 수 있습니다. 이 빛 기능이 활성화되면

근접 거리에서 사물을 비추는 경우 밝기가 감소됩니다. 이는 더 쉽게 책상에서 작업을 하도록 만들어주고 눈부심의 위험을 감소시킵니다. 그러나 멀리 있는 물체를 비추거나 환경이 어둡게 바뀌면 헤드 램프의 밝기는 증가합니다.

빛 프로그램 백색에서 사용될 수 있는 마지막 빛 기능은 빛 기능 신호 (천천히 반짝임)입니다. SEO 7R의 전원이 꺼져 있다면 각 전환 사이에 2 초 이상 기다리지 않고 스위치 버튼을 4 번 눌러 이 기능을 사용할 수 있습니다. 추가적인 전환은 SEO 7R의 전원을 끄고 스위치 버튼을 다시 누르면 빛 기능 전력으로 다시 순환을 시작합니다.

그래서 빛 기능들은 순환에 있습니다. 그러나 이전 전환이 2 초 이상 경과한 경우, 매 전환 시 헤드 램프의 전원을 꺼주시기 바랍니다. 예를 들어 빛 기능 "자동 저전력"으로 변경된 후 2 초 이상 누른 경우, 다음 전환은 빛 기능 저전력으로 변경되지 않을 것이고 SEO 7R의 전원이 꺼질 것입니다.

5.2 빛 프로그램 "적색 야간 시력"

빛 프로그램 "적색 야간 시력"이 활성화되면 (5 번 참고), 헤드 램프의 적색 빛을 사용할 수 있습니다.

SEO 7R의 전원이 꺼져있을 때 스위치 버튼을 누르면 헤드 램프는 적색에서 최대 밝기로 빛 기능 전력이 켜집니다. 2 초 안에 스위치를 다시 누르면 SEO 7R은 빛 기능 신호 (천천히 반짝임)에서 점멸합니다.

빛 기능 신호는 빛 프로그램 "적색 야간 시력"에서 사용될 수 있는 마지막 빛 기능이기에 추가적인 전환은 SEO 7R의 전원을 끄고 스위치 버튼을 다시 누르면 빛 기능 전력으로 다시 순환을 시작합니다.

그래서 빛 기능들은 순환에 있습니다. 그러나 이전 전환이 2 초 이상 경과한 경우, 매 전환 시 헤드 램프의 전원을 꺼주시기 바랍니다. 예를 들어 빛 기능 저전력으로 변경된 후 2 초 이상 누른 경우, 다음 전환은 빛 기능 신호로 변경되지 않을 것이고 SEO 7R의 전원이 꺼질 것입니다.

6. 에너지 모드

두 에너지 모드 (에너지 절약 혹은 일정한 전류) 중 하나를 선택하여 축전지 및 건전지에 포함된 에너지의 사용 방법을 결정할 수 있습니다.

1. 에너지 절약 : 빛 출력은 내장된 고급 조명 기술 (SLT)에 의해 제어됩니다. 밝기는 램프의 일반적인 사용 동안 발생하는 실제 조건들에 맞춰지므로 좀 더 긴 작동 시간을 제공합니다.

2. 일정한 전류 : 이 에너지 모드는 더 많거나 더 적은 일정한 빛 출력과 함께 모든 빛 기능의 지속적인 사용을 허용합니다. 이 에너지 모드는 고휘도 레벨이 긴 작동 시간보다 더 중요할 때 선호될 것입니다.

에너지 모드의 변경

에너지 모드를 변경하기 위해 빛 프로그램 백색에 있는 빛 기능들 중 하나가 활성화되어야 합니다. 예, 빛 기능 신호 (SEO 7R이 느리고 크게 반짝임). 그때 스위치 버튼을 누르고 약 2 초간 누르고 있습니다. 짧은 순간 후 SEO 7R은 전원이 꺼졌다 켜집니다. 그리고 헤드 램프가 갑자기 꺼지거나 밝기가 0 까지 점점 사라집니다.

밝기가 점차적으로 0 까지 감소한 경우, SEO 7R은 에너지 모드 에너지 절약에 있습니다. 그러나 SEO 7R의 밝기가 잠시 동안 일정하게 유

지되다가 갑자기 0 까지 떨어진다면 헤드 램프는 에너지 모드 일정한 전류에 있습니다.

이 과정을 통해 두 에너지 모드 사이를 전환할 수 있습니다. SEO 7R이 어떤 에너지 모드에 있는지 결정할 수 없습니다. 이것을 알기 위해서는 과정을 수행해야만 합니다. SEO 7R이 더 이상 원하는 에너지 모드에 있지 않다면 과정을 다시 반복해야만 합니다.

7. "운송 잠금"

5 번에서는 백색과 적색 LED 사이를 전환하는 방법에 대해 설명하고 있습니다. SEO 7R의 전원이 꺼져있는 상태에서 스위치 버튼을 약 2 초 동안 누르면 됩니다. 헤드 램프는 적색에서 백색 혹은 백색에서 적색으로 변경될 것이고 스위치 버튼을 오래 (약 5 초) 누르고 있으면 빛이 꺼지고 "운송 잠금"이 활성화됩니다. 이때 SEO 7R은 다시 전원을 켤 수 없지만 적색 LED는 스위치 버튼을 누른 경우, 이 기능이 활성화되었음을 표시하기 위해 짧은 순간 동안 반짝일 것입니다. 따라서 SEO 7R은 고의 또는 실수로 전원이 켜질 수 없기에 무심코 에너지가 소비될 수 없습니다. 스위치 버튼을 다시 5 초 동안 누르고 있어야만 이 기능 ("운송 잠금") 이 다시 비활성화되고 램프는 빛 프로그램 백색에 있습니다.

8. 초기화 기능

축전지, 알칼리 건전지들 또는 NiMH- 축전지들 건전지 소켓에서 빼내면 SEO 7R은 "초기화"됩니다. 따라서 몇 가지 기능이 초기화되었습니다:

- "운송 잠금" (7 번 참고) 비활성화
- 빛 기능 저전력 (5.1 번 참고) 이 낮은 밝기로 설정
- 에너지 모드 에너지 절약이 활성화 (6 번 참고)
- 빛 프로그램 백색 (5 번 참고) 활성화

9. 충전

SEO 7R은 곧 에너지가 다 떨어진다는 것을 적색 LED의 점멸로 나타냅니다. 제 시간에 충전지 팩을 충전하여 주십시오. 건조한 장소에서 배송에 포함된 충전지 또는 USB 포트만을 사용하여 SEO 7R의 충전지 팩을 충전하십시오 (아래 참고).

아래 정보는 포함된 액세서리에만 적용됩니다. SEO 7R에 다른 충전지나 건전지는 충전할 수 없습니다. NiMH- 축전지 (1 번 참고) 가 사용된 경우, 승인된 외부 충전기로 충전되어야만 합니다.

SEO 7R의 배송 범위에 플러그와 충전지가 있습니다. 양쪽이 모두 연결되지 않은 경우에는 접속부가 클릭 소리가 나도록 그것들을 연결하여 주십시오.

SEO 7R의 충전기는 충전지 팩을 충전하기 위해 제공된 충전 케이블에 해당하는 포트와 연결되어야만 하는 USB 포트를 가지고 있습니다. 충전 케이블 (초소형 USB)의 다른 측면은 배송 범위에 있는 충전지 팩과 연결되어야만 합니다. 따라서 건전지 소켓을 열어야만 합니다. 제공된 충전지 팩은 두 가지 충전 방법이 있는데 충전을 위해 SEO 7R의 건전지 소켓에 끼워 넣거나 건전지 소켓에서 분리될 수 있습니다. 제공된 충전지 팩만이 충전기로 충전될 수 있습니다.

마지막 단계는 소켓 (입력: 100V~240V / 50Hz ~60Hz)에 플러그를 연결하는 것입니다. 충전이 완료되면 (최대 2~3 시간 후), 소켓과 충전지의 충전 케이블 (초소형 USB)로부터 충전기를 다시 분리합니다. 완전히 충전되었지만 충전지를 끼워 넣은 채로 있어도 문제는 없습니다.

충전 케이블을 충전기의 USB 포트에 연결하는 대신에 컴퓨터의 다른 USB 포트 (5V / 900mA) 에 연결할 수도 있습니다. 선택적으로 사용할 수 있는 차량 USB 충전기 접속부 (Led LENSER 차량 충전기 : 품번 0380) 를 사용하여 SEO 7R 은 차량에 있는 담배 라이터와 소켓에 충전될 수도 있습니다. 이러한 액세서리 단위는 각각의 입력 전압 (12 V / 24 V) 에 자동적으로 스스로를 일치시킵니다. 이러한 대안들은 전원 콘센트를 사용할 수 없는 경우 충전지를 충전하는데 적합합니다.

주의 - 건전지의 접속부위에 합선이 없도록 주의하여 주십시오. 건전지의 접속 부분이 수분 및 금속 물체와 닿아서는 안됩니다.

10. 충전 표시
SEO 7R 의 충전지 팩을 해당하는 충전기와 충전 케이블 또는 USB 포트 (9 번 참고) 를 사용해 충전하는 경우 LED 상태는 충전하는 동안은 적색이고 충전이 완료되면 녹색으로 빛이 바뀝니다.

11. 충전지 팩 / NiMH- 충전지 / 알칼리 건전지 교환
교환 전에 SEO 7R 의 전원을 꺼주시기 바랍니다. 헤드램프 하우징의 넓은 면에 건전지 소켓의 덮개가 있습니다. 스위치 버튼 근처에 플라스틱 뚜껑이 있습니다. 이 뚜껑을 엄지 손가락으로 조심스럽게 위로 조금 누르고 건전지 소켓 덮개를 스위치 버튼 바로 옆에 있는 왼쪽과 오른쪽의 작은 홈을 사용하여 밀면 열립니다. 이제 충전지 팩 (알칼리 건전지 / NiMH- 충전지) 을 빼고 새로운 것을 삽입합니다.

NiMH- 충전지와 알칼리 건전지도 사용될 수 있습니다. 그러나 이때 충전기는 사용될 수 없습니다.

삽입할 때, 올바른 방향에 있는지 항상 확인해 아 합니다. 따라서 극성 (+ 와 -) 에 주의를 기울이십시오. 건전지 소켓과 충전지 팩 / NiMH- 충전지 / 알칼리 건전지 모두에 표시가 있습니다. 그렇지 않으면, 충전지 / 건전지가 손상되거나 폭발할 수도 있는 가상 위험이 있습니다. 제공된 충전지 팩은 원래의 충전기 혹은 USB 포트로만 재충전될 수 있습니다 (9 번 참고)! 교환 후 건전지 소켓의 덮개를 다시 닫아야만 합니다.

12. 헤드밴드 (머리띠)
헤드밴드가 램프에 연결되어 있지 않은 경우 다음과 같이 진행합니다. 헤드램프 하우징의 왼쪽 측면에 있는 작은 구멍을 통해 헤드밴드의 끝에 있는 좁은 플라스틱 부품을 옆으로 해서 끼웁니다. 헤드밴드에 있는 글자의 방향을 확인합니다. 헤드밴드를 건전지 소켓의 덮개 위로 하여 건전지 소켓의 다른 측면에 있는 작은 구멍에 측면으로 하여 끼웁니다. 헤드밴드의 끝을 헤드밴드의 다른 측면에 있는 플라스틱 부품의 클리퍼 옆의 구멍을 통해 끌어당깁니다. 길게 늘어진 구멍이 있는 헤드밴드의 끝은 4 개의 작은 막대 모양이 있는 좁은 플라스틱 파트에 측면으로 끼워야만 합니다. 헤드밴드의 끝이 이 구멍을 통해 당겨지고 헤드밴드의 양쪽 끝이 서로 연결되어 있습니다. 클리퍼의 구멍을 사용하여 SEO 7R 은 운송을 위해 벨트의 고리나 백팩에 부착할 수 있습니다.

헤드밴드에서 세 번째 플라스틱 부품은 다른 머리 돌레를 맞추기 위해 헤드밴드의 길이를 조절할 때 사용됩니다.

13. 충전지 / 축전지
비 충전용 건전지 및 배송 범위에 있는 충전지와 같은 타입이 아닌 다른 충전지는 충전기로 충전될 수 없습니다. 비 충전용 건전지와 충전지를 함께 사용하지 마십시오. 모든 비 충전용 건전지와 축전지를 동시에 교환하여 주십시오. SEO 7R 에는 충전지 팩 (배송 범위), 알칼리 건전지 AAA/LR03/Micro (1.5 V DC) 또는 NiMH- 충전지 AAA/LR03/Micro (1.2 V DC) 만 사용하여 주십시오. 오랜 기간 동안 제품을 사용하지 않을 경우, 손상을 방지하기 위해 알칼리 건전지 또는 SEO 7R 의 충전지 팩 / NiMH- 충전지를 꺼내 주시기 바랍니다. 방전된 건전지 및 충전지는 분리하여 국가 법률에 따라 폐기해야만 합니다. 방전된 건전지와 충전지는 분리하여 국가 법률에 따라 폐기해야만 합니다.

일반적으로, 건전지만만 아니라 리튬 건전지, 축전지, 충전지 팩의 처리에 대한 해당 규칙은 완전히 방전된 상태에 있어야 하고 기술적으로 올바른 방식으로 처리되어야 한다는 것입니다. 일반적으로 건전지만만 아니라 특히 리튬 건전지, 축전지와 충전지 팩의 처리에 대한 해당 규칙은 방전된 상태에 있고 기술적으로 올바른 방식에 의해서 폐기되어야만 한다는 것입니다. 추가적으로 폐기 전 고착 비도전성 접착제 테이프에 의해 합선이 불가능하다는 것을 확인해야만 합니다. 기본적으로, 충전지와 건전지의 합선 가능성을 없애야 하며 그것들은 열릴 수 없고 어떤 방식으로든 인체에 들어갈 수 없으며 불에 던져질 수 없습니다.

14. 청소
청소를 위해 건조하고 보푸라기가 없는 천을 사용하여 주십시오. 소금물을 헤드램프에 얼렸었다면 즉시 그런 천으로 완전히 제거해야만 합니다. 헤드밴드는 30° C 에서 일반 세탁 가능합니다.

15. 배송 범위
SEO 7R 은 아래의 액세서리들과 함께 공급되는 헤드밴드가 포함됩니다:
1 x 충전기와 플러그
1 x 충전지와 충전지를 연결하는 충전 케이블
1 x 충전지
1 x 작동 설명서

SEO 7R 을 위한 추가 액세서리가 설계되었습니다. 인터넷 홈페이지에서 제공된 상기 조립용품 세트와 더불어 추가적인 액세서리에 대한 정보를 얻을 수 있습니다.

16. 주의
주어진 작은 부품이나 건전지 / 충전지를 삼키지 마십시오. 제품 혹은 그것의 부품들 (건전지 / 충전지 포함) 은 아이들의 손이 닿지 않는 곳에 보관되어야만 합니다. 안전과 허가 (CE) 의 이유로 제품은 변경되거나 바뀌어서는 안됩니다. 제품은 충전지 및 건전지 램프로써 독립적으로 사용됩니다. SEO 7R 이 다른 목적으로 사용되거나 잘못 사용되면 손상될 수 있으며 위험한 자유 사용은 더 이상 보장되지 않습니다 (화재의 위험, 합선, 감

전 등). 또한 사람에 대한 피해 혹은 재산에 대한 손해에 관해 어떠한 책임도 없으며 제조업체의 보증도 무효가 됩니다.

SEO 7R 이 작동될 수 있는 온도 범위는 -20°C에서 +50°C까지입니다. SEO 7R 은 극도의 온도, 강렬한 진동, 폭발성 대기 및 증기를 조건으로 하지 않습니다.

또한, 지속적으로 직사광선, 고습 및 습기에 노출되는 것을 피해야만 합니다.

제품에 첨부된 서류에서 설명된 내용에 덧붙여 변경, 수리와 유지는 공인 기술자에 의해서만 수행될 수 있습니다.

건전지/축전지가 전부 정확한 방향 (양극성!)으로 삽입되었고 제대로 닫혀졌음에도 불구하고 정상적이고 안전한 작동이 가능하지 않거나 제품이 손상되었음을 보여주는 경우, 작동 불가로 여겨지며 더 이상 사용하지 마십시오. 이 경우, 보증 문제에 대해 대리점에 문의하십시오.

17. 안전 수칙

- 이 제품은 아이들의 장난감이 아닙니다.
- 삼킬 수 있는 작은 부품들이 있기 때문에 5 살 미만의 어린이에게는 적합하지 않습니다.
- 제품은 시력의 시험(예. 소위 동공검사)을 위해 사용되면 안됩니다.
- 사용 시, 열의 축적(예. 덮개에 의한)은 피해야만 합니다.
- 제품이 제대로 작동하지 않는 경우, 우선 방전된 건전지/축전지 때문인지 혹은 제대로 삽입되지 않아서인지를 확인해야만 합니다.
- 차량에서 사용하신다면 해당 법을 규정을 준수하여 주십시오.

광선을 통해 이 제품에 있어 주요 위협으로 제기되는 위협은 청색 빛 위협(400nm에서 780nm)입니다. 열 위험 한계치는 분명히 도달하지 않습니다.

보는 사람의 위험은 사용에 따라 혹은 제품을 어떻게 설정하였는가에 따라 달라집니다. 그러나, 노출 시간이 혐오 반응 한계를 넘지 않고 이 설명서에 있는 내용을 준수한다면 광학적 위험은 없습니다.

혐오 반응은 노출에 의해 촉발되고 그것은 광선을 통한 위협으로부터 눈을 보호하기 위한 모든 자연 반응을 의미하는 것입니다. 여기에는 눈이나 머리의 움직임(예: 외면)과 같은 특별한 의도적인 혐오 반응들이 포함됩니다.

제품을 사용할 때 빛에 직접적으로 비춰진 사람들은 혐오 반응에 대한 약물 치료, 약 혹은 질병의 결과로 쇠약해지거나 완전히 무력해질 수 있다는 것을 특별히 명심해야 합니다.

제품의 눈부심 효과 때문에 부적절한 사용은 일시적인 시야 장애(생리적 눈부심) 및 잔상들과 같은 가역 반응이 발생할 수 있거나 메스껍고 피곤한 감각(생리적 눈부심)에 몸이 편치 않은 기분을 촉발할 수 있습니다. 몸이 편치 않은 일시적인 기분의 강도 또는 가라앉을 때까지의 시간은 주로 눈부심 광원과 주변 지역 사이의 밝기 차이에 따라 달라집니다. 특히 감광성의 사람들은 이 제품을 사용하기 전에 의료 상담을 받아야 합니다.

원칙에 따라 보통 고광도 광원이 눈부심 효과 때문에 높은 이차적인 위험 가능성을 가지고 있습니다. 다른 밝은 광원(예. 자동차의 헤드라이트)을 본 것처럼 시력의 제한된 일시적 장애와 잔상들은 상황에 따라 짜증, 불편함,

장애와 심지어 사고가 발생할 수 있습니다.

정보는 단일 제품의 사용에 적용됩니다. 같은 종류 또는 다른 종류의 조명을 함께 사용하는 경우, 광선의 세기가 증가할 수 있습니다.

사용자나 다른 사람들이 다른 빛 결합 기구들과 함께, 혹은 별도로 제품의 빛 근원을 오랜 시간 보거나 접촉하는 것은 원칙적으로 피해야만 합니다. 대신, 눈은 그런 경우 의도적으로 감고 머리는 빛으로부터 멀리 돌려야만 합니다.

공공 기관에 의한 제품의 사용이나 상업적 용도의 경우, 사용자는 사용의 각 경우에 해당 하는 모든 적용 가능한 법과 규정을 알고 있어야만 합니다.

사용 시 중요 규칙:

- 사람의 눈에 직접적으로 빛을 비추지 마십시오.
- 사용자 혹은 다른 사람이 직접적으로 빛을 보게 해서는 안됩니다.
- 눈에 직접적으로 빛이 비추진 경우, 눈을 의도적으로 감고 머리를 빛으로부터 멀리 돌리도록 해야 합니다.
- 사용 설명서와 이 정보는 안전하게 보관되어야만 하며 제품과 함께 전달되어야만 합니다.
- 제품으로부터 방출되는 빛을 직접적으로 보지 마십시오.

この度はレッドレンザー製品をご購入いただき、まことにありがとうございます。

この取扱説明書には、製品の機能・性能を最大限に活かすために必要な事項が含まれるほか、使用上の注意、安全上の注意に関する事項、適正な廃棄に関する事項が含まれています。本書を良くお読みになり正しくお使いください。また本書はなくさないように大切に保管し、製品を第三者に譲渡するときは、必ず一緒にお渡しください。

TEST IT プリスターバック入について

型番OPT-6107RNのSEO 7RはTEST IT機能のついたパッケージに入っています(OPT-6007RのパッケージにTEST IT機能はついていません)。この機能は未開封のパッケージの上からでも、お客様が明るさをお試しいただくためのものです。明るさをお試しいただくには、パッケージ前面にある黄色のTEST ITボタンを押すだけです。明るさをお試しいただくときには、光を直視しないでください。

TEST ITボタンはSEO 7Rのバッテリーボックスと2本のリード線で接続しています。ご使用前に取り外してからご使用ください。

TEST ITボタンとリード線を取り外すには、まずバッテリーボックスを開けて内蔵されている単4形アルカリ電池×3本を取り出します(後述の「電池の交換について」の項参照)。次にTEST ITボタンにつながっている2本のリード線をひっぱりバッテリーボックスから外します。そのあと再び単4形アルカリ電池×3本を、(+)(-)の方向に注意しながらバッテリーボックスに入れてバッテリーボックスを開めます。パッケージとリード線の付いたTEST ITボタンは、地域内の法律・条令に基づき適正に廃棄してください。

型番・製品名

LED LENSER

OPT-6007R レッドレンザー SEO 7R

OPT-6107RN レッドレンザー SEO 7R (プリスターバック入)

Version of the operating manual: 1.4

1. 使用電池:

SEO 7R 専用充電電池パック

(Li-ion Polymer 3.7V/880mAh) (付属)

単4形アルカリ電池(1.5 V DC) ×3本 (テスト用付属)

単4形ニッケル水素充電電池(1.2 V DC) ×3本

※本製品には付属されていません。

2. スイッチのオンとオフ

本体上部にスイッチボタンがあります。このスイッチボタンを押してスイッチをオンにします。またこのスイッチを操作することによって、ライトプログラム(白色点灯・赤色点灯)の切り換えや、照射モードの切り換えができます。またスイッチロック機能もスイッチボタンの操作で起動することができます。(5項、7項参照)

3. フォーカス

本体正面側に白色LEDから放射される光が通って照射角度を調節するリフレクターレンズが搭載されています。リフレクターレンズはプラスチックリングに固定されています。このプラスチックリングを親指と人差し指を使って回し、照射角度をすばやく簡単に無段階で調節することができます。より速くを照らしたいか、または広がったところを照らしたいかにより、照射角度を調節することができます。さらにこのプラスチックリングを持って、ランプヘッドを下方に傾けることができます。

4. スマートライトテクノロジー(SLT)

本製品にはスマートライトテクノロジー(SLT)が搭載されています。内蔵のマイクロコントローラーにより、エナ

ジーモード、ライトプログラム、照射モードを切り換えることができます。スイッチボタンを押すだけで、オンとオフの操作だけでなく、場面に応じた明るさや照射パターンを選択できます。

5. ライトプログラムと照射パターン

本製品には2つのLEDが搭載されています。

(白色LED・赤色LED)

通常使用する場合は明るい白色LEDを使います。白色LEDを使うときはフォーカスによる照射角度の調節が使えます。ただし暗い環境に目が慣れてしまった時などは、赤色LEDから使い始めると、目の負担が少なくて済みます。白色LEDの点灯から赤色LEDの点灯に切り替えるには、スイッチがオフになっている状態でスイッチを約2秒間長押しします。この操作により白色LEDの点灯から赤色LEDの点灯に、または赤色LEDの点灯から白色LEDの点灯に切り替わります。切り替わったらすぐにスイッチから指を離してください。そのままスイッチボタンを押し続けるとスイッチロック機能が起動してしまいます。(7項参照) 下記の5.1で白色LEDを点灯させるライトプログラム:ホワイト、5.2で赤色LEDを点灯させるライトプログラム:レッド ナイトビジョンの使用方法を説明します。

5.1 ライトプログラム:ホワイト

スイッチがオフの状態ですwitchボタンを1回押して白色LEDが点灯した場合、このライトプログラム:ホワイトに設定されています(白色LEDと赤色LEDの切り替えについては5項をご参照ください)。

スイッチがオフの状態からスイッチボタンを1回押すと、パワーモード(フルパワー)で点灯します。そのあと2秒以内にもう1回スイッチボタンを押すと、エコノミーモード(ローパワー)で点灯します。もしくはスイッチボタンを押し続けると弱い光から強い光まで無段階で明るさを変化させることができます。光が最も強くなった時と、最も弱くなった時に点滅し、再び明るさが変化し始めます。適度な明るさになったときに指を離すと、その明るさで点灯します。このときの明るさは、エコノミーモード点灯に設定され、スイッチをオフにしても記憶されます。

スイッチがオフの状態から(押す間隔を2秒以内に)3回スイッチボタンを押すと、「オートマチックディマー」が起動します。オートマチックディマー起動中はセンサーが周囲の明るさを感じ、明るさの調節を自動的に行います。例えばデスク作業で使うような照射対象物が近いときはまぶしさを軽減するために自動的に減光します。逆に照射対象物に対して距離があるときや、周囲が暗いときなどは明るさが増大します。

スイッチがオフの状態から(押す間隔を2秒以内に)4回スイッチボタンを押すと、シグナル点滅します。さらにもう1回スイッチボタンを押すと、スイッチがオフになります。スイッチボタンを押すごとに、この順番でローテーションします。ただしスイッチボタンを押して点灯させてから2秒以上経過したあと、もう1回スイッチボタンを押すとスイッチがオフになります。

5.2 ライトプログラム:レッド ナイトビジョン

スイッチがオフの状態ですwitchボタンを1回押して赤色LEDが点灯した場合、このライトプログラム:レッド ナイトビジョンに設定されています。(白色LEDと赤色LEDの切り替えについては5項をご参照ください)

スイッチがオフの状態からスイッチボタンを1回押すと、赤色LEDが(フルパワー)で点灯します。さらにそのあと2秒以内にもう1回スイッチボタンを押すと、赤色LEDが

シグナル点滅します。さらにもう1回スイッチボタンを押すと、スイッチがオフになります。スイッチボタンを押すごとに、この順番でローテーションします。ただしスイッチボタンを押して点灯させてから2秒以上経過したあと、もう1回スイッチボタンを押すとスイッチがオフになります。

6. エナジーモード

「ノーマル出力モード」、「コンスタント出力モード」の2種類のエナジーモードから、電力消費特性(出力カーブ)を選択することができます。

1. ノーマル出力モード:一般的な懐中電灯と同様に徐々に出力を落として、長時間使用できます。
2. コンスタント出力モード:安定した出力で短時間連続使用することができます。一定レベルの明るさをキープすることが、点灯時間の長さより重視される場面で使います。

エナジーモードの設定

エナジーモードの設定を行う前に、ライトプログラム:ホワイトを起動させ、シグナル点滅させます。その状態からスイッチを約2秒間長押しすると、短い間に消灯してすぐに点灯し、またすぐに消灯します。そのとき徐々に明るさが落ちていって消灯した場合ノーマル出力モードで、瞬時に消灯した場合コンスタント出力モードで設定されます。この設定操作を繰り返すとノーマル出力モードとコンスタント出力モードが交互に切り換わります。

7. スイッチロック機能

5項で説明したとおり、スイッチボタンを約2秒間長押しして白色LEDと赤色LEDが切り替わり、さらに長く約5秒間スイッチボタンを押し続けると赤色LEDが一瞬点滅してから消灯します。消灯したのち指を離すとスイッチロック機能が起動します。スイッチロック機能を起動させると、スイッチボタンを(短い間)押してもスイッチはオンになりません。そのかわりにスイッチロック機能が起動していることを示すため、赤色LEDが一瞬点滅します。スイッチロック機能を起動することによりスイッチの誤作動を防ぎ、電池の無駄な消費を抑えます。スイッチロック機能を解除するには、もう一度スイッチボタンを約5秒間長押しして白色LEDを点灯させ、ライトプログラム:ホワイトを起動させます。

8. リセット機能

バッテリーボックスから電池を取り出すと、ライトプログラムはリセットされ以下のとおり設定されます。

- スイッチロック機能は解除されます。(7項参照)
- エコノミーモード点灯の明るさは、最も弱い光に設定されます。(5.1項参照)
- エナジーモードはノーマル出力モードに設定されます。(6項参照)
- ライトプログラム:ホワイトが起動します。(5.1項参照)

9. 充電

本製品は充電電池の電力が消費され、エネルギー残量が少なくなってきたとき、赤色LEDの点滅でお知らせします。充電残量が少なくなってきたら、すみやかにSEO 7R専用充電電池パックに充電してください。充電するときは湿度の低い場所で充電してください。SEO 7R専用充電電池パックへの充電には、必ずSEO 7R専用の充電ケーブルとSEO 7R専用のACアダプター、またはUSBポートから充電してください。(詳細は下記)

以下の内容は、同梱のSEO 7R専用充電電池パックをご使用いただくときの手順並びに注意書きです。ニッケル水素充電電池をご使用になる場合は、電池の仕様表示に従い正規の充電器を使って充電してください。

SEO 7Rには専用のACアダプターとプラグが同梱されています。ご使用になる場合はプラグをACアダプターに接続してください。SEO 7R専用充電ケーブルのUSB端子をACアダプターのUSBポートに接続してください。充電ケーブルの反対側のマイクロUSB端子をSEO 7R専用充電電池パックに接続してください。マイクロUSB端子をSEO 7R専用充電電池パックに接続する場合は、本体バッテリーボックスのカバーをできるだけ開けて接続するか、SEO 7R専用充電電池パックをヘッドランプ本体から取り出して接続してください。最後にACアダプター(入力:100V~240V/50Hz 60Hz)をコンセントに差し込んでください。充電が完了したらACアダプターをコンセントから外して、充電ケーブルを充電電池から外してください(通常充電が完了するまで最大約2~3時間)。SEO 7R専用充電ケーブルのUSB端子を、PC等のUSBポート(5V/900mA)に差し込んで充電することもできます。

注意-SEO 7R専用の充電ケーブルとSEO 7R専用のACアダプターの接続端子やソケットが短絡を起こしていないか確認してから充電を開始してください。接続端子やソケットに液体や金属が付着していないか確認してください。

10. 充電インジケーター

コンセントまたはUSBポートからSEO 7R専用充電電池パックに充電を開始すると(9項参照)、パック内のインジケーターLEDが赤く点灯します。充電が完了するとグリーンの点灯に変わります。

11. 充電電池/電池の交換について

充電電池/電池を交換するときは、スイッチをオフにしてください。本体裏側の面がバッテリーボックスのカバーになります。スイッチボタンのうしろにプラスチックのツメを、注意しながら上方に押し上げ、スイッチボタンの左右にある小さなくぼみを手前に引くようにしてカバーを開けます。カバーを開けたら古い充電電池/電池を取り出して、新しい充電電池/電池を挿入してください。新しい充電電池/電池を挿入するときは、充電電池/電池の(+)(-)表示を確認し、バッテリーボックス内の(+)(-)表示を確認して正しい向きにセットされているか確認してください。SEO 7R専用充電電池パックへの充電には、必ずSEO 7R専用の充電ケーブルとSEO 7R専用のACアダプター、またはUSBポートから充電してください。新しい電池をセットしたらカバーを開けてください。

12. ヘッドバンド

ヘッドバンドを取り付けるときは、以下の手順で取り付けます。ヘッドバンドの端にある幅の狭いプラスチック部分を、ヘッドランプ本体の(裏側から見て)左側にあるベルト通しの穴にヘッドランプ本体の表側から通します。このときヘッドバンドのロゴの天地が正しい向きになっていることを確認してください。次にヘッドバンドがバッテリーボックスのカバーの上を通るようにしながら、ヘッドランプ本体の(裏側から見て)右側にあるベルト通しの穴にヘッドランプ本体の裏側から通します。今度はこのヘッドバンドの端を、ヘッドバンドの反対側にあるクリップに取り付けます。クリップの真ん中にある4つの小さな突起がついた穴に、このヘッドバンドの端を通しヘッドバンドの両端をつなげます。

移動のときには、このクリップの留め穴を使って、ヘッドランプをベルト通しやバックパックに取り付けることができます。

またヘッドバンドの中ほどにあるアジャスターを使ってヘッドバンドの長さを調節することができます。

13. 充電電池/電源

アルカリ乾電池には充電をしないでください。新旧異種の電池、電池と充電電池を混用したりしないでください。電池/充電電池を交換するときは全ての電池/充電電池を同時に交換してください。本製品で使用できる電池は同梱されているSEO 7R 専用充電電池/パック、単4形アルカリ電池(1.5V)×3本、または単4形ニッケル水素充電電池(1.2V DC)×3本だけです。本製品を長期間使用しない場合は、液漏れによる損傷を防ぐため、電池/充電電池を本体から取り出してください。使用済みの電池/充電電池は必ず本体から取り出し、国内の法律・条令に従い適正に廃棄してください。

一般的な電池の廃棄、特にリチウム電池や蓄電池およびバッテリーパックについては、使い切った残量がなくなった状態で廃棄することが正しいマナーです。もし使い切っていない状態、完全に放電が終わっていない状態で廃棄する場合は、粘着テープで端子部分を覆い、短絡が起こらないことを確認してから廃棄します。また短絡を起こさせないだけでなく、外装の破損や、人体内への侵入が起こらないよう配慮し、火中への投入はしないでください。

14. クリーニング

本製品のクリーニングには、乾いた毛羽立たない布をご使用ください。もし塩水が本体に付着した場合は、即座に布で完全にふき取ってください。ヘッドバンドは洗濯機で30℃までの水を使い、洗うことができます。

15. 同梱されている付属品

SEO 7R には以下の付属品が同梱されています。

- SEO 7R 専用ACアダプターとプラグ×1セット
- SEO 7R 専用充電ケーブル×1本
- SEO 7R 専用充電電池/パック×1個
- 取扱説明書

16. 注意

本製品には小さな部品や充電電池などが含まれています。誤飲やその他の事故を防ぐため、お子様の手の届かない場所で保管してください。安全性確保のため、本製品の改造や分解は行わないでください。本製品は懐中電灯(ヘッドランプ)としての使用目的に限定してご使用ください。もし他の目的でのご使用並びに間違ったご使用をされた場合、故障の原因になります。また危険なご使用(火に近づける、短絡、電気ショックを加えるなど)をされた場合は保証の対象外となりますので、予めご了承ください。人に危害を与える、または器物を損壊するなどの違法行為での使用に対しても、保証の対象外となります。極度の低温および高温環境、激しい振動が加わる環境、爆発の可能性がある環境、溶剤を使用しているまたは溶剤が酸化している環境での使用には対応していません。また直射日光が当たる場所、多湿な場所、水気の多い場所での長時間の使用、保管は避けてください。交換・修理・メンテナンスについては、専門の技術者のみが行います。ジェントス株式会社 物流センター 修理係までお申し付けください。(同梱の保証とアフターサービスをご参照ください)

SEO 7R 専用充電電池/パックが十分に充電され、各部分がかかり装着されていることを確認したにもかかわらず、正常かつ安全な操作ができない、または壊れているように見受けられる場合は、故障している可能性があります。そのときは、すぐに使用を中止し販売店またはジェントス株式会社へお申し出ください。

17. 安全上の注意

- ・本製品は子供向け玩具ではありません。誤飲の危険性がある小さな部品も含まれていますので、5歳以下のお子様によるご使用はお控えください。
- ・本製品を眼球の検査(瞳孔の確認など)に使用しないでください。
- ・本製品をご使用になる場合、放熱の妨げになるので本体を布やテープなどで覆うようなご使用方法は避けてください。
- ・本製品が正常に機能しない場合、電池/充電電池の残量が残っているか、正しく装着されているかを確認してください。
- ・道路上でご使用になる場合は、国内の関連する法律および条令に従ってご使用ください。

本製品から放射される可視光の波長は、青色光網膜傷害を引き起こす危険性のある波長です(400nm~780nm)。温度の危険性については限界値を超えないよう設計されています。

本製品の使用時間や使用方法により網膜障害を引き起こす危険性があります。ただし、まぶしさに対する嫌悪感から起こる(目をつぶるなどの)生理的拒否反応を行うまでの間に限った使用、またはこの取扱説明書で説明されている注意事項を守った範囲での使用においてはその危険性はありません。

生理的拒否反応は、危険な光線から目を守るために人間が本来持つ自然な反応です。この生理的拒否反応には、別の方向に頭を向けて光線から逃れるような意識的な反応も含まれます。

本製品をご使用になる上で特に重要なのは、光線を直接向けられた人の生理的拒否反応が薬の服用や病気などにより弱っている、または完全ではない可能性があることを留意しておくことです。

また本製品の不適切な使用により、一時的な視力低下、残像、体調不良、不快感、疲れなどをまねく恐れがあります。一時的な視力低下の程度、またそれがおさまるまでの時間は、照射光の明るさと周囲の明るさとの差により異なります。視神経に疾患をお持ちの方は、本製品をご使用になる前に専門医にご相談されることをおすすめいたします。

強すぎる光線がもたらす二次的な危険性として、一時的な視力低下、残像、体調不良により、場面によっては事故を引き起こす可能性があげられます。

本製品だけでなく多数の光源が存在するような場所では、光源から照射される光度が高くなります。そういった場所で、視力に危険性を感じた場合は、ゆっくりと目を閉じて光線から逃れて、適度に目を休めてください。

本製品を業務上ご使用になる場合、公共の場でご使用になる場合は、関連する遵守すべき国内法、条例に従い正しくご使用ください。

重要

- ・光を直接目に当てないでください。
- ・光源を直視しないでください。
- ・光が直接目に当たった場合は、ゆっくりと目を閉じて光線から逃れてください。
- ・取扱説明書は大切に保管し、製品を譲渡するときは取扱説明書も一緒にお渡しください。
- ・本製品から照射される光線を、光源に向かって直視することは絶対にしないでください。

感谢您购买我们的产品！

该产品说明书可以帮助您来熟悉该产品，在使用产品前必须仔细阅读所有伴随产品的指导文件。请妥善保管此文件，如果产品被转交给第三方，此文件必须一同转交。这将确保用户正确了解产品的详细功能和避免意外问题产品。

同时，请遵守警告和安全指示并正确处理产品包装材料

SEO 测试功能的附加信息

货号为 6107-R 的 SEO 7R 头灯包装带有测试功能（货号 6007-R：不带测试功能）。允许使用者测试包装内的产品亮度。测试时，请轻按包装正面的黄色 TEST IT 测试按钮。当产品工作时，请不要直视产品所发出的光束。

测试按钮通过两条导线连接 SEO 7R 的电池盒，在使用产品前应先移除。

移除测试按钮及导线，请打开电池盒并取出 3xAAA 电池（请见下面“电池更换”一节）。从电池盒里拉出测试按钮的两条导线，直到它与电池盒分离。装入 3xAAA 电池请注意正确的电极。合上电池盒盖。请按当地法规要求来处置及回收利用包装材料及带导线的测试按钮。

产品：

6007-R, LED LENSER® SEO 7R

6107-R, LED LENSER® SEO 7R (吸塑)

1. 电池配套：

- 1 x 锂电池包（包含在原包装配件内）：
6007-R、6107-R）；或
- 3 x 碱性电池 3 x AAA/LR03(1.5 V DC)（包含在原包装配件内：6107-R）；或
- 3 x 镍氢电池 3 x AAA/LR03(1.2 V DC)（不包含在原包装配件内）。

2. 开关使用说明：

SEO 7R 产品开关在塑胶外壳顶端的电池盒与头灯之间，该开关控制产品的开/关和多种不同的光效模式与白光与红光之间的转换（详细请参考以下第 5 点），此外，该开关还有“运输锁定”功能（详细请参考以下第 7 点）

3. 调焦功能：

产品前端部分是白光灯的反光杯，该反光杯被一塑胶调焦环所固定。用手指转动该调节环可以方便快速的调节从焦光到泛光之间的不同光效，即通过旋转其角度来连续的调节白光光效；光效调节完全取决于用户所需要的亮度或被照物与用户之间的距离；此外，你还可以通过简单的转动头灯前部分的角度来达到不同的使用效果或光效需求；

4. 智能光技术 (SLT)：

SEO 7R 配有智能光技术，通过微机控制芯片来操控 LED 的发光及使用不同的发光模式和功能，单个按钮便可实现“快速功能”转换及配合使用，把操作界面设计容易和使用方便；SEO 7R 给用户带来不同的光效体验，且具备有两种不同的能量使用模式，两种光色（红光和白光）和多种不同光效模式；产品自带的温度控制系统可根据实用环境的温度对光亮度进行调整；

5. 发光模式与功能：

SEO 7R 具有两个 LED 灯，即白色灯和红色灯各一个；

其中白光适用于常规的日常生活环境使用，例如它的“快速调焦”功能和通过头灯前端进行光效的角度调整可以给用户带来便利。但当用户已适应周围暗黑环境时该强白光不建议使用。同样的，当用户适应白光使用环境时转换红光，人的肉眼需要短暂的时间来适应不同颜色光效之间的转换；

在产品关闭状态可对白光与红光之间进行转换，按压开关 2 秒后便可以实现白光和红光的转换。当调节到用户所需要的光效后，请即时松开开关，否则产品会自动进入“运输锁定”模式（详细请参考第 7 点）；以下 5.1 和 5.2 为白光与红光的详细使用说明；

5.1. 白光模式：

以下内容白光模式的详细使用和操作说明：

a) 强光模式：在产品关闭状态，按压开关（按压开关时隔不能超于 2 秒）以启动产品即进入白光模式，白光首个模式为“强光模式”。

b) 弱光模式：当连续按开关 2 次（与上次按压开关时隔不能超于 2 秒），产品会进入弱光模式；在从强光模式切入弱光调节模式时，如果按压开关一次且与上次按并保持按压开关，保持按压开关，可以调节从强光到弱光之间循环的任意光亮度，当调节到最弱光和最强光时，会有一闪灯提示。当你选择好光亮度并松开开关时，该模式会默认为该亮度为弱光模式；

c) 自动调光模式：当连续按开关 3 次（与上次按压开关时隔不能超于 2 秒）便切入“自动调光模式”。本产品具有“光传感器”可根据周围环境的光暗度而自动调整环境所适用的光亮度。例如当用户慢慢远离被照物或周边环境渐渐转暗时，产品会自动增加光亮度。当用户渐渐靠近被照物或周边环境光增加时，产品会自动降低光亮度；

该功能有利于保持人的眼睛对光亮度的适应性和可以避免白强光对眼睛的直接反射影响，更方便于常规的台面工作；

d) 信号模式：当连续按开关 4 次（每次按压开关时隔不能超于 2 秒）便进入最后一个白光模式“信号模式”（白光闪电）；

当连续按开关 5 次（每次按开关时隔不能超于 2 秒）完成白光模式循环并进入关闭状态；

以上多种不同的白光模式可以通过循环按压开关进行相互转换；

注意当在白光模式之间转换时，按压开关时隔不能大于 2 秒，否则产品会进入关闭状态；

5.2. 红光模式

以下内容红光模式的详细使用和操作说明：

a) 强光模式：在产品关闭状态长按开关（按压开关时隔为 2-4 秒）便切入红光“强光模式”；

b) 信号模式：再次按开关（与上次按压开关时隔不能超于 2 秒）便进入红光的“信号模式”（红光闪电）；

以上为红光模式功能描述，其中“信号模式”为红光模式里最后模式，可以通过循环按开关进行“强光模式”和“信号模式”相互转换；

请注意当红光模式转换时，按压开关时隔不能大于 2 秒，否则产品会进入关闭状态；

6. 能量模式：

产品具有“节能模式”和“恒流模式”两种不同的能量模式，可以根据电池电量和使用环境来选择合适的能量模式。

a) 节能模式：该模式可以根据实际环境需要进行光效调节或降低光亮度以达到增加产品的工作时间；

b) 恒流模式：该模式可以提供用户连续的强光光效进行工作使用，适合强光工作环境使用但会降低产品工作时间；

能量模式转换：

只有在白光模式才可以进行“节能模式”和“恒流模式”转换；

当进入白光的“强光模式”且工作 2 秒后，长按开关 5 秒观察 LED 熄灭状态便可以转换节能和恒流模式；

a) 恒流模式：LED 长亮 2 秒立即熄灭便进入恒流模式；

b) 节能模式：LED 长亮 2 秒后慢慢熄灭便进入节能模式；

通过以上操作，两种模式可以相互间转换。但当更换电池或短开产品电源后，产品会自动复位转换为节能模式。

7. 运输锁定模式：

当产品在关闭状态，长按压开关约 5 秒后便进行“运输锁定模式”。进入该模式后开关会有自锁功能，即不能正常转换白光和红光。轻按开关会有红光信号模式的闪灯提示，表示已进入运输锁定模式”；

再长按开关约 5 秒后便可解锁且恢复产品的正常工作状态；

8. 重置模式：

当取出产品电池或断电又重新启动产品时，产品会自动重置且进入原始的默认状态，用户需要重新设置以下功能设定；

- 弱光模式；
- 节能模式；
- 运输锁定模式；

其中白光模式为默认初始模式

9. 充电模式：

当产品电量耗尽前 5-10 分钟时，会出现红光信号模式”闪灯提示，表示电池的电量将要耗尽，此时请及时对充电电池进行充电或更换满电量电池。

充电时需在干燥环境下进行与采用产品所附带的 USB 充电电线和充电器进行充电；

注：不能采用其他非该产品充电电池或者非该产品充电器用于本产品进行充电；

若包装内充电器和插头如果没有连接，请将插头安装到充电器内。然后用产品所附 USB 线连接充电器和充电电池进行充电；

充电器规格（输入：100V ~ 240V / 50Hz ~ 60Hz）须接在指定电压插座进行充电；

锂电池充电方式可在产品内或外进行充电；

充电电池充满电量约 3 ~ 4 小时，产品有过充保护功能；

当充电电池充满电后，请移开 USB 线和充电器；除了用充电器对充电电池进行充电外，还可以用具有 USB 接口且规格为 5V/900mA 的电器设备如电脑或纳谷公司的车充产品（项目号 0380）等进行充电。

纳谷公司所附带产品可以相互匹配和连接且工

作于相应的工作电压 12 ~ 24V；

注：请确保充电接触没有发生短路现象。若无充电可能是接线没有连接正确位置或接触潮湿和金属物；

10. 充电指示：

充电时，充电电池灯变红色代表正在充电，绿色代表已充满电；

11. 电池更换；

在更换电池前，请先将产品处于关闭状态；用手指轻轻从电池盒开口（开关按钮旁）打开电池盒，取出已使用完电量的电池，可以装入新的碱性电池，氢镍电池或锂电池；

注：碱性电池和氢镍电池不能用于充电！

在电池装入过程中，须注意匹配电池的负极安装要求，否则，可能会出现电池损坏甚至产生爆炸现象。

请严格遵守使用产品所附带的充电器和正确使用具有 USB 接口的电器设备（见第 9 点）；

电池安装完毕，请将电池盒牢牢闭合；

12. 头灯带；

如果头灯带没有连接到产品，请按以下指示进行头灯带安装；

头灯带安装：

找出头灯带较小的一端塑胶扣并以纳谷公司标志为正面方向，从右至左方向穿过产品电池盒至产品在两纳谷标志之间，然后继续穿过带有两对卡点的头灯带的另一端塑胶扣，穿过该两对卡点后拉紧头灯带，头灯带便安装完毕；

轻便携扣：通过头灯带末端的塑胶卡扣，可以将产品紧扣在衣服皮带扣或背包等便于携带；

松紧度调节：通过另一塑胶扣可任意调节带的长短和松紧度；

13. 电池使用注意：

非充电电池和不在包装要求范围内的其他型号蓄电池不能用于该产品的充电器进行充电！

a) 不允许非充电电池和蓄电池混合共用；

b) 只允许在包装要求范围的同型号电池同时使用；

c) 适用于该产品电池有 AAA/LR03/Micro (1.5 V DC) 或者氢镍电池 AAA/LR03/Micro (1.2 V DC)；

d) 电池寿命用尽后请根据国家法律法规对电池进行适当处理；

e) 若长时间不使用产品，请将电池取出产品内，以免造成产品损坏；

充电电池和非充电电池的处理方式：

a) 对可能存在短路危险的电池必须立即正确处理掉；

b) 不允许非法拆开电池或者非法将电池放入人体内；

c) 不允许将电池丢弃到火里面燃烧；

14. 保持产品清洁；

请用干的且无绒清洁布对产品进行清洁；

若有盐水溢入产品内，请即时进行全面的清洁；

头灯带从产品拆卸后可用约 30° C 温水进行清洗或更换；

15. 包装配件

产品包装内包括有以下配件；

- 1x SEO 7R 头灯产品；
- 1x 充电器和插头；
- 1x USB 接线，用于连接充电电池和充电器对产品进行充电；
- 1 套电池包；
- 1x 产品手册；

16. 警告

不允许吞咽任何本产品所附的小部件或电池，且该产品或其附带部件（包括电池）必须存放于儿童接触不到的地方。

出于安全和符合 CE 所规定的所有要求，禁止改装及 / 或改变该产品。

产品只能作为头灯所使用。

如果该产品被用于任何其它的目的，或使用不当，被损坏及无害化利用不再被保证（如火警、短路、电击等）。将对人身伤害或财产损失将不负任何责任，并且制造商的保修将变无效。

SEO 7R 头灯工作的温度范围是 -20 °C 至 +50 °C。要确保产品没有被用于极端的温度、剧烈的震动、爆炸性气体、腐蚀性和 / 或潮气环境。也必须避免持续曝露于太阳底下、高湿度和 / 或水气中

产品变更、修理和维护或其随附文件所述，仅允许由专业的技术人员执行。

一旦产品被发现已充电及被正确地扭开 / 扭紧，正确和安全的操作是不可能造成产品损坏。它必须是无法使用并且不再被使用。这种情况下，出于保修目的，请联系你的经销商。

17. 安全指引

- 本产品不是儿童玩具；
- 因为含有可吞咽的小部件，不适合 5 岁以下的人员使用；
- 本产品不可以用于眼睛检查（如所谓的瞳孔检查）；
- 在使用时，热量积聚，必须避免覆盖产品；
- 如果产品不正常工作，第一件事是必须检查是否因为电池没电或因为电池没有正确安装；
- 在道路上使用，请遵循各地的法律规定。

通过光辐射在本产品上构成的主要危险威胁是蓝光危险（400 nm to 780 nm）。热危险的开始值显然没有达到。

观看者的风险取决于使用或产品如何安装。然而，只要厌恶反应限制暴露时间及只要本手册内包含的信息被研究过，就没有光学危险。

厌恶反应由暴露引起并且它们表示所有保护眼睛免除光辐射损害的自然反应。这包括自觉厌恶反应如眼睛或头部活动（如转向）。

使用本品时特别重要的是要记住，厌恶反应的人受光线指向，他们的厌恶反应可能减弱或暂停，就像药物治疗，毒品或疾病后的结果。

因为产品的致盲效果，不正当的使用可能会导致可逆的效果，如临时的视觉障碍（生理性致盲）或影像残留或触发恶心不适的感觉和疲倦（生理性致盲）。临时不适的感觉的强度或时间直到它消退，主要取决于致盲光源及周边地区之间的亮度差别。感光的人在使用本产品之前尤其应该咨询医生。

作为一个原则问题，规则是高强度光源由于其致盲效果会具有二次伤害的潜在危险。就像看着其它明亮的光源（如汽车前灯），临时被限

制的视觉障碍和影像残留可能导致疼痛、不便、损伤甚至事故，视情况而定。

使用单个产品的信息应用。如果更多同样类型或不同型号的发光产品同时使用，光辐射的强度可能会增加。

每一个长时间注视 / 眼睛接触本产品辐射源的用户或其他人，带或不带其它的光束设备，都是要作为原则问题应该避免的。

在商业用途或由公共部门使用的情况下，用户必须遵守所有相应的个人使用场景相关的法律和法规的指示。

重要规则

- 人的眼睛不要直视产品的光束；
- 用户或其他人不要直视产品光束；
- 万一光束击中眼睛，眼睛必须立即紧闭，转动头部远离光束；
- 产品说明手册须被安全存放，与产品同在；
- 禁止直视由本产品发生的光；

Hersteller - Manufactured by

ZWEIBRÜDER® OPTOELECTRONICS GMBH & CO. KG

Kronenstr. 5-7 • 42699 Solingen • Germany
Tel. +49 (0)212/5948-0 • Fax +49 (0)212/5948-200
info@zweibrueder.com • www.zweibrueder.com