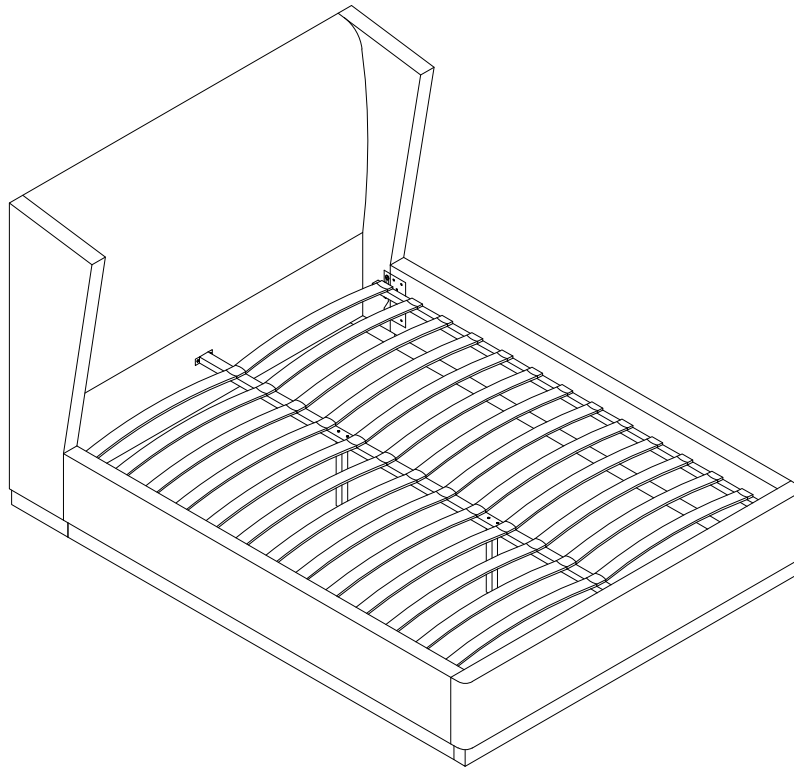


BD008

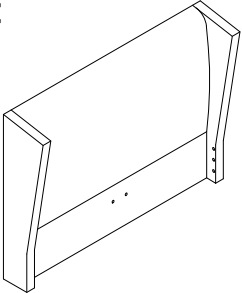
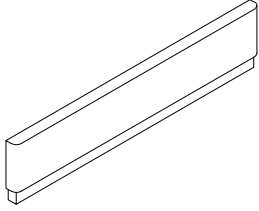
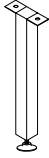
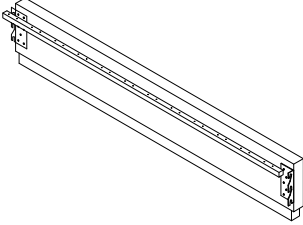
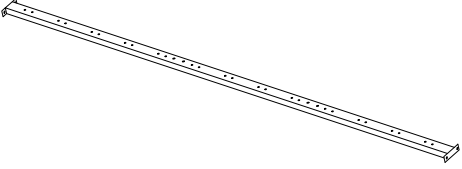
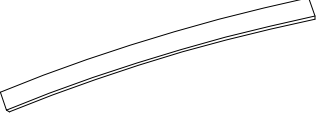


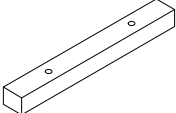
60" x 80"



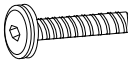
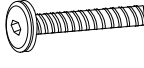
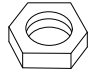
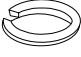


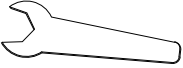
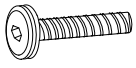
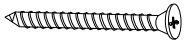
IMPORTANT NOTE

1. PLEASE CHECK THAT ALL PARTS ARE PRESENT BEFORE YOU START THE ASSEMBLY OF YOUR FURNITURE.
2. FOR THE PROTECTION OF YOUR FURNITURE, PLACE ALL PARTS ON A CLEAN AND SMOOTH SURFACE TO PREVENT ANY DAMAGE.
3. DO NOT USE POWER TOOLS TO ASSEMBLE THE BED.
4. PLEASE PERIODICALLY CHECK ALL FITTINGS AND RE-TIGHTEN AS NECESSARY.
5. DO NOT USE THE BED UNLESS ALL BOLTS AND SCREWS ARE FIRMLY SECURED.

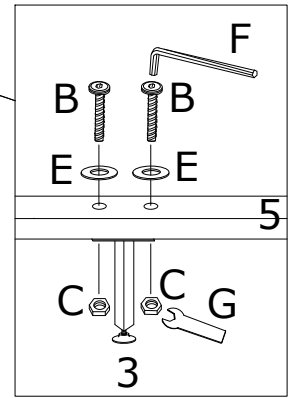
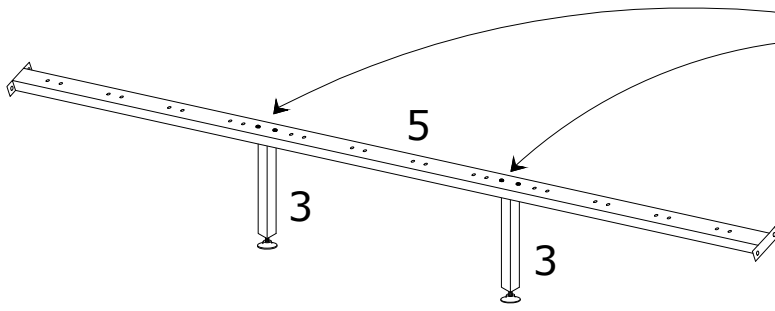
PART LIST

<p>(1)Headboard x 1pc</p> 	<p>(2)Footboard x 1pc</p> 	
<p>(3)Support Leg x 2pcs</p> 	<p>(4)Crossrail x 1 pair</p> 	
<p>(5)Centre Support Bar x 1pc</p> 	<p>(6)Slat x 26pcs</p> 	
<p>(7)Double Plastic Cap x 13pcs</p> 	<p>(8)Single Plastic Cap x 26pcs</p> 	<p>(9)Leg x 2pcs</p> 

HARDWARE LIST

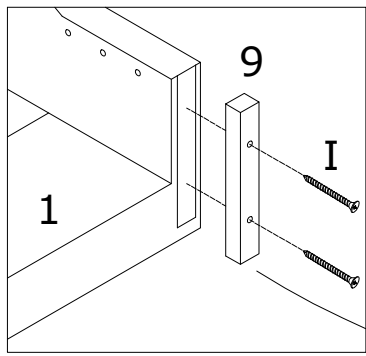
<p>(A)Bolt M8 x 25mm x 6pcs</p> 	<p>(B)Bolt M8 x 40mm x 4pcs</p> 	<p>(C)Nut M8 x 13mm x 4pcs</p> 
<p>(D)Spring Washer x 12pcs</p> 	<p>(E)Flat Washer x 20pcs</p> 	<p>(F)Allen Key M5 x 1pc</p> 
<p>(G)Spanner x 1pc</p> 	<p>(H)Bolt M8 x 30mm x 10pcs</p> 	<p>(I)Screw M5 x 50mm x 4pcs</p> 

STEP 1

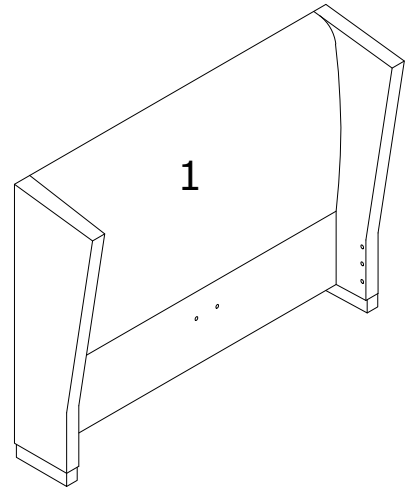


X 2

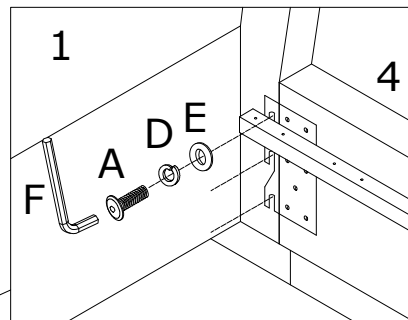
STEP 2



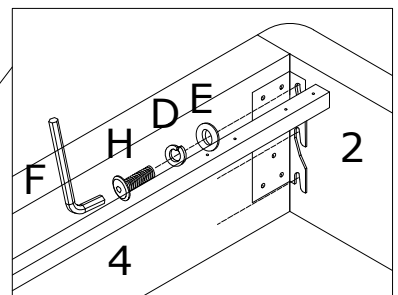
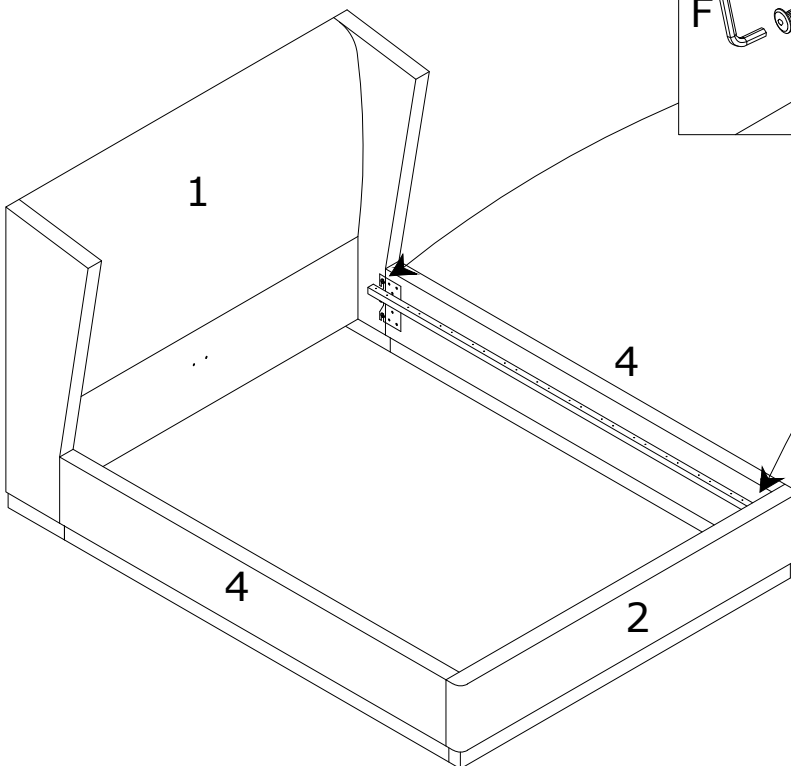
X 2



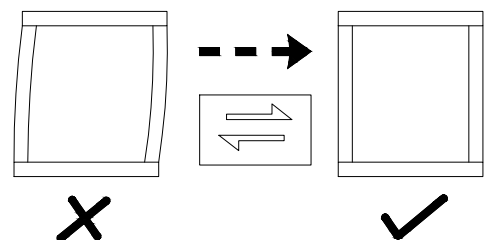
STEP 3



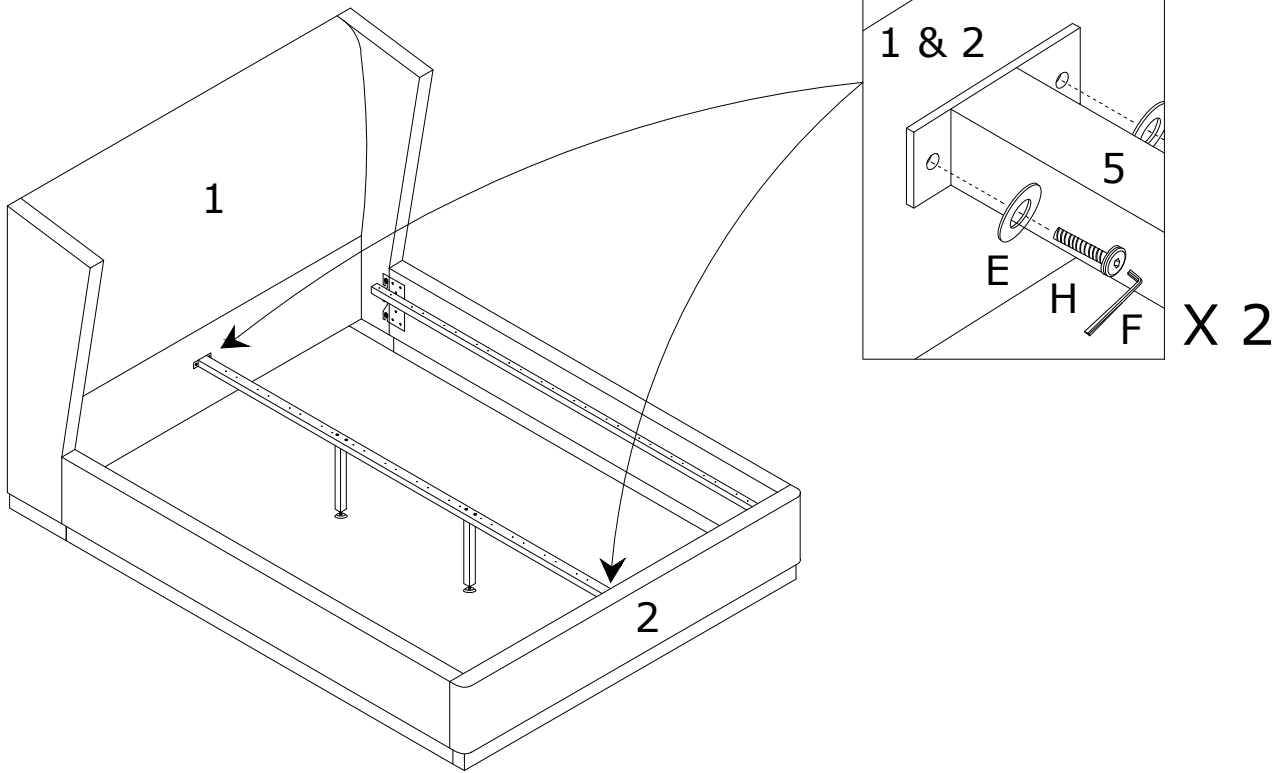
X 2



X 2



STEP 4



STEP 5

