



# MANHATTAN COMFORT

888-230-2225

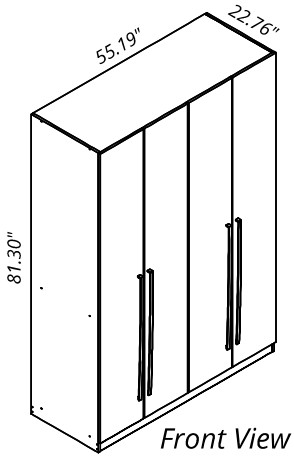
*help@manhattancomfort.com*

*319 Ridge Rd, Dayton, NJ08810, New Jersey - United States*

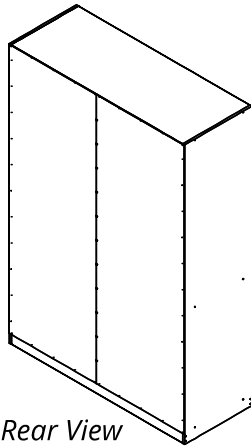


***Gramercy***  
*Wardrobe - 4 doors*

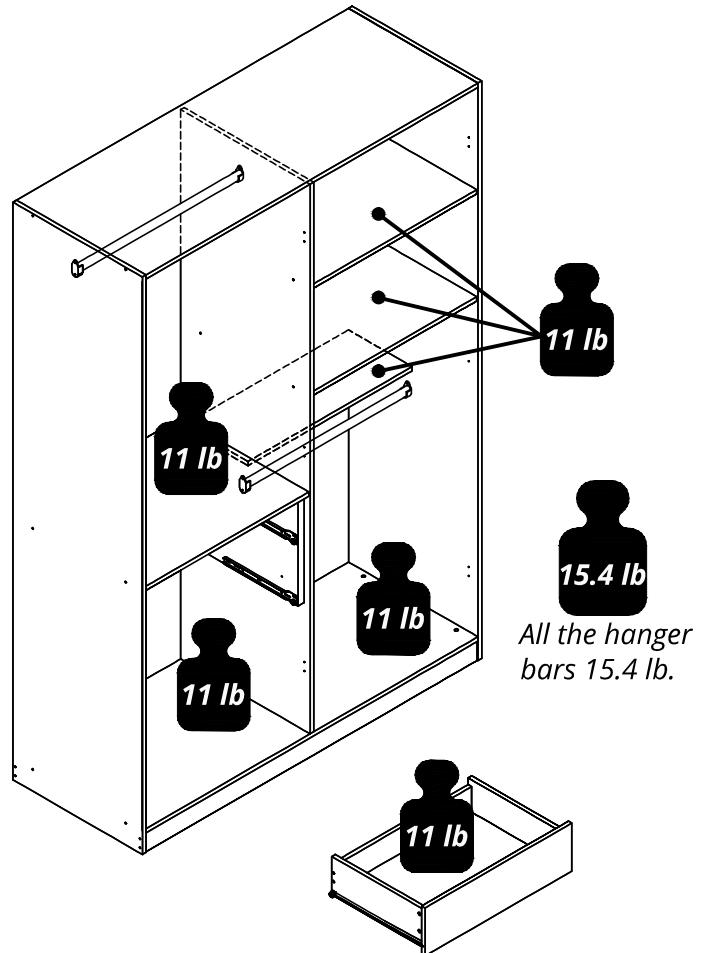
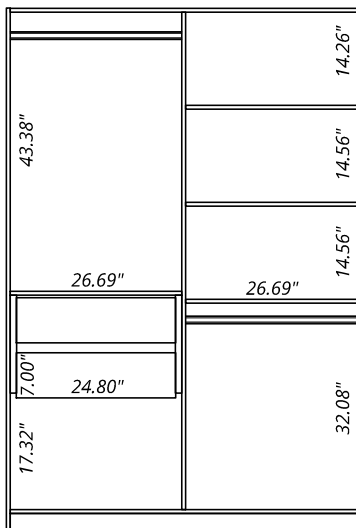
You can access the QR code to watch the assembly video!



Front View

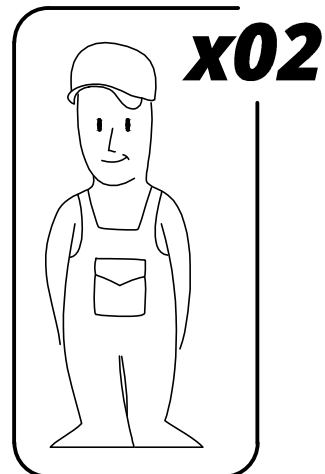
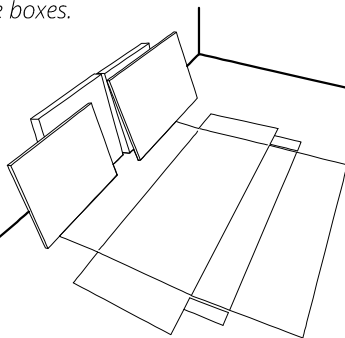


Rear View

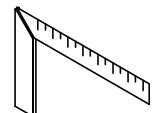
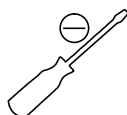
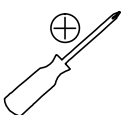


All the hanger bars 15.4 lb.

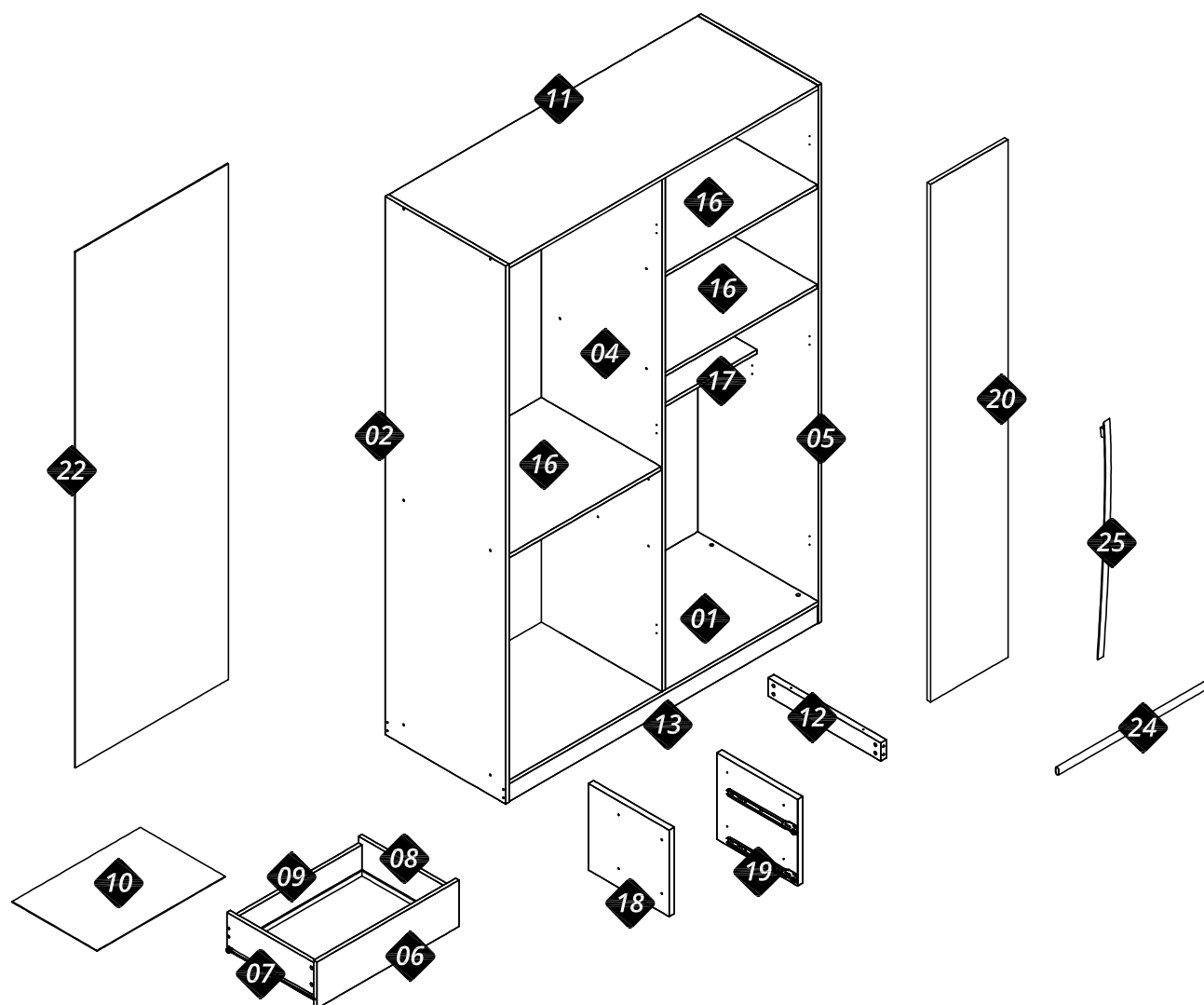
Prepare the room before starting the assembly, leaving it completely clean and the area in good condition to start the work. Use the cardboard of the packaging to separate and support the parts removed from the boxes.



Recommended tools (not included)



## Parts



N°	Description	Qty.	Box
01	Base panel	01	02
02	Left side panel	01	02
04	Partition panel	01	01
05	Right side panel	01	02
06	Front of the drawer	02	02
07	Left side panel of the drawer	02	02
08	Right side panel of the drawer	02	02
09	Rear panel of the drawer	02	02
10	Base of the drawer	02	02
11	Top panel	01	02
12	Smaller crossbar	01	02
13	Larger crossbar	02	02
16	Larger shelves	03	01
17	Medium shelf	01	02
18	Left support of the drawer's slide	01	02
19	Right support of the drawer's slide	01	02
20	Doors	04	01
22	Larger back panel	02	01
24	Larger aluminum hanger bar	02	02
25	Handle	04	01

## Hardware (box 02)

A 72x



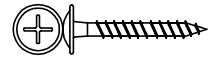
B 42x



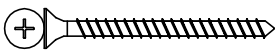
C 32x



D 08x



E 08x



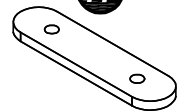
F 16x



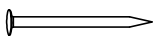
G 16x



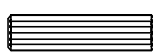
H 06x



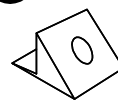
I 53x



J 08x



K 08x



L 08x



M 11x



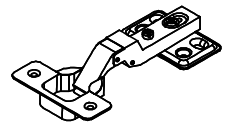
N 04x



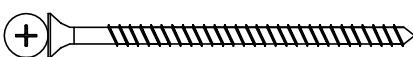
O 16x



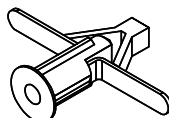
P 12x



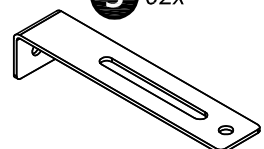
Q 02x



R 02x

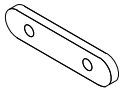


S 02x



**Attention, all the assemblage must be done on the cardboard box or the Styrofoam boards to avoid damage to the parts.**

### Step 01

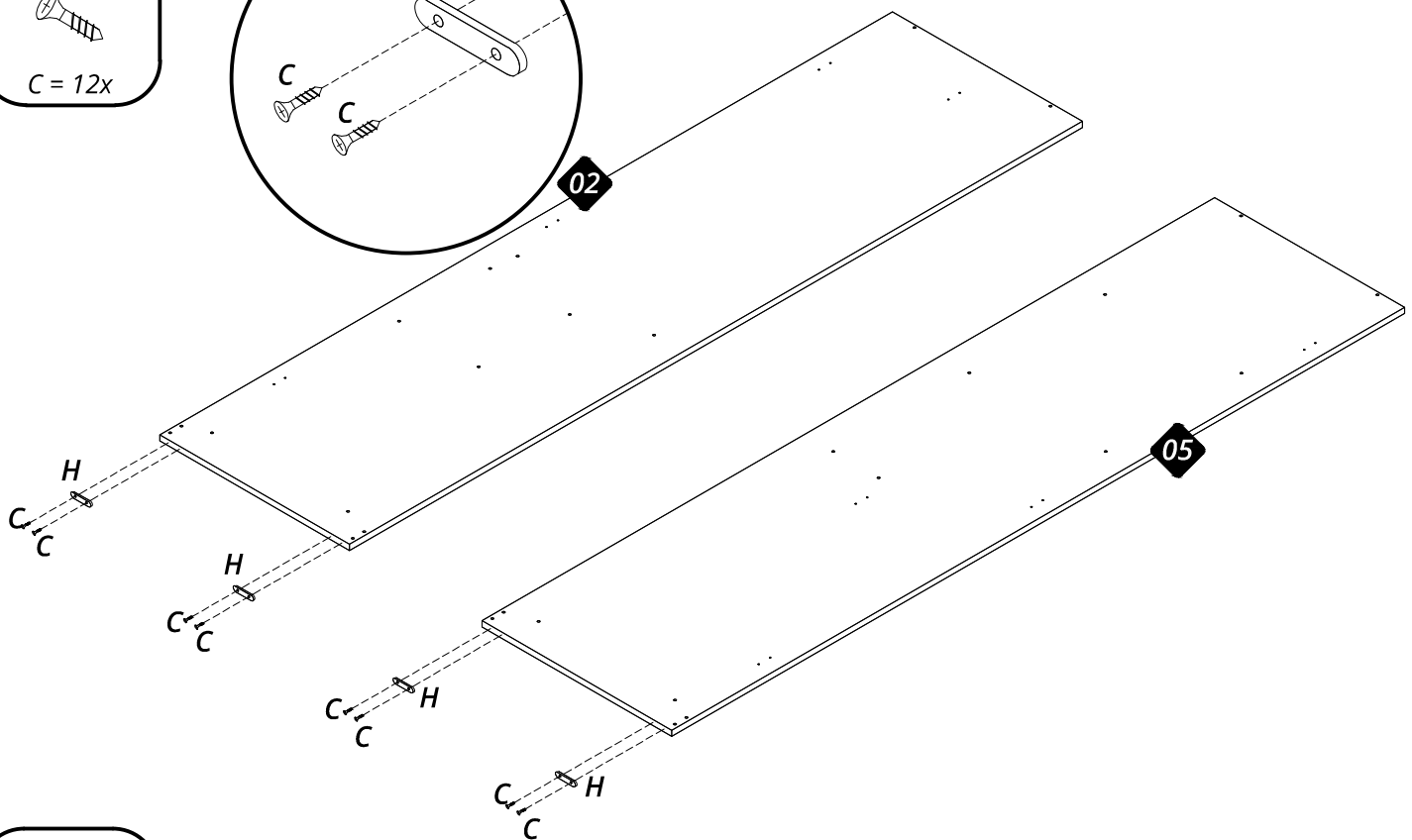
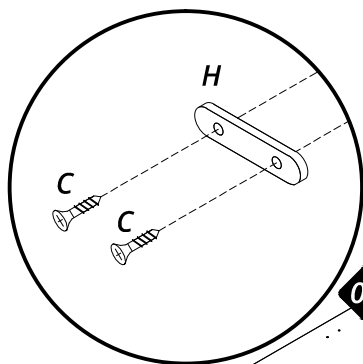


H = 06x



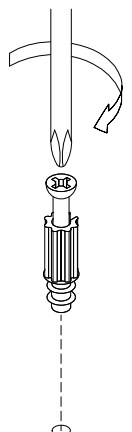
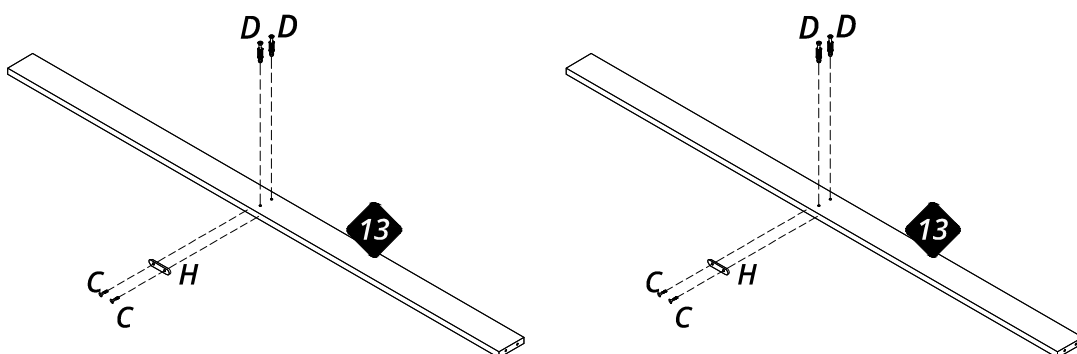
C = 12x

Connect the hardware (H) onto the parts 02, 05 and 13 with the hardware (C).



F = 04x

Apply the hardware (F) into the part 13.

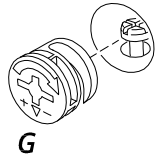


## Step 02

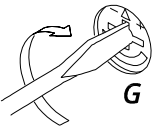


G = 04x

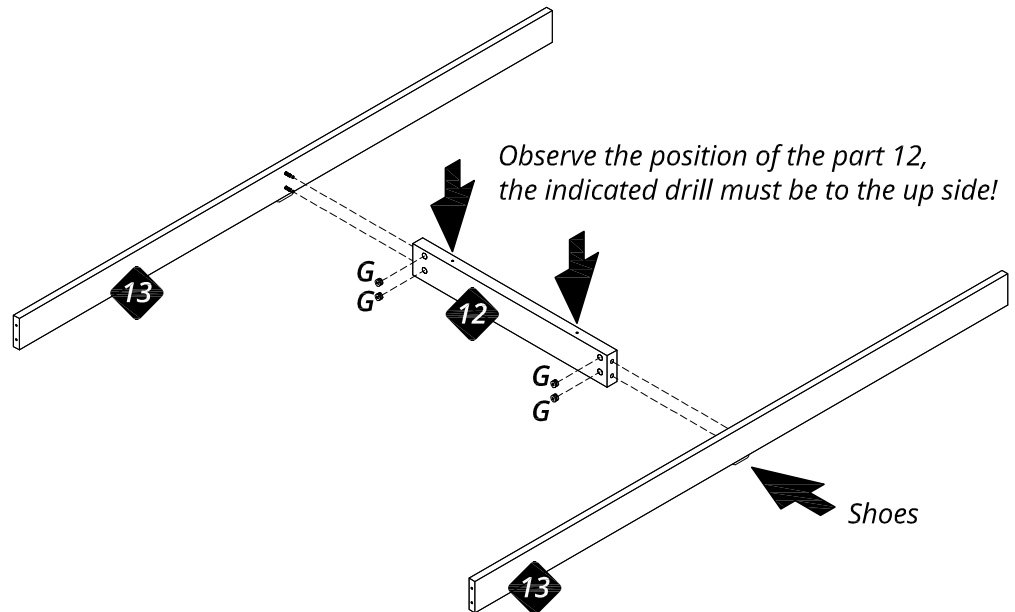
Connect the part 12 onto the parts 13 with the hardware (G).



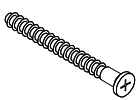
G



G

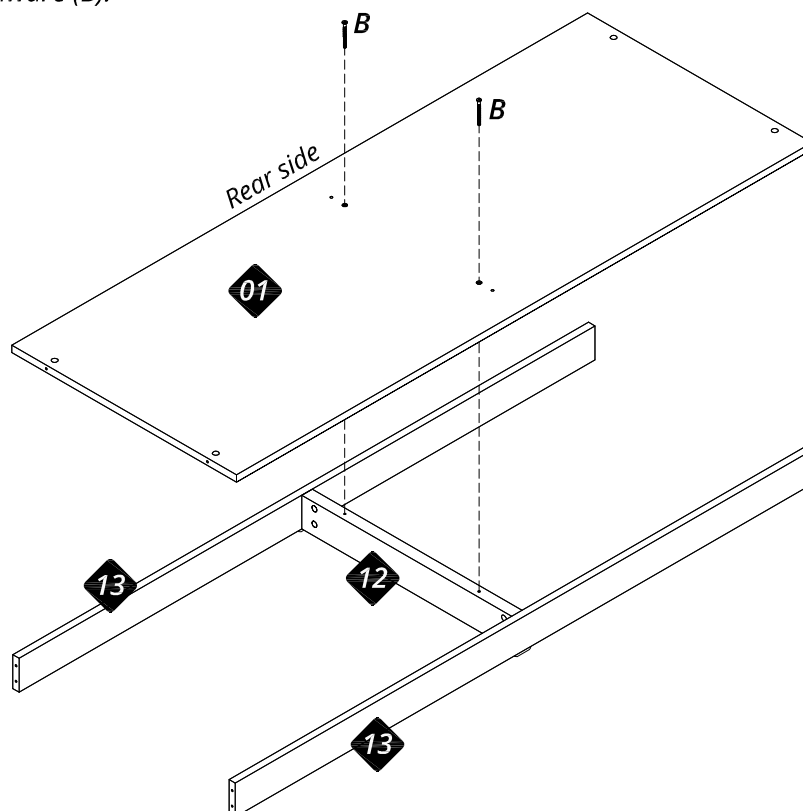


## Step 03



B = 02x

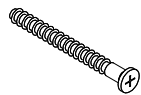
Connect the part 01 onto the part 12 with the hardware (B).



## Step 04



L = 02x

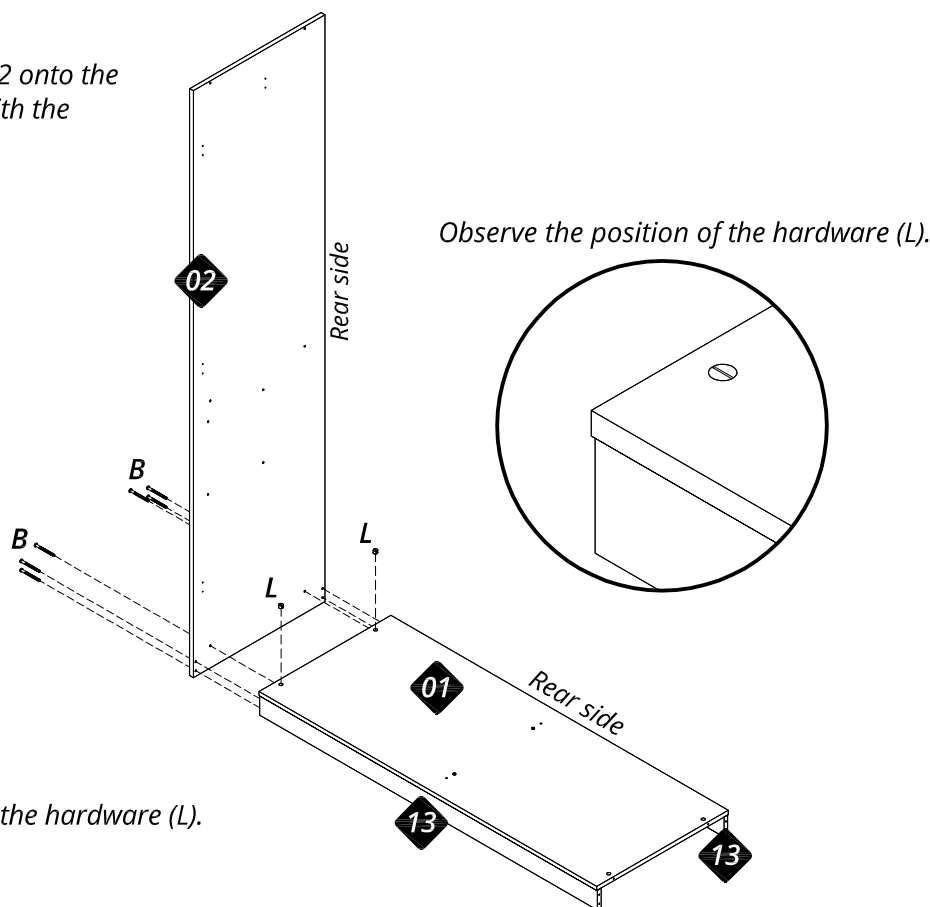


B = 06x



O = 02x

Connect the part 02 onto the parts 01 and 13 with the hardware (L + B).

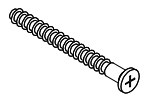


Apply the hardware (O) onto the hardware (L).

## Step 05



L = 02x

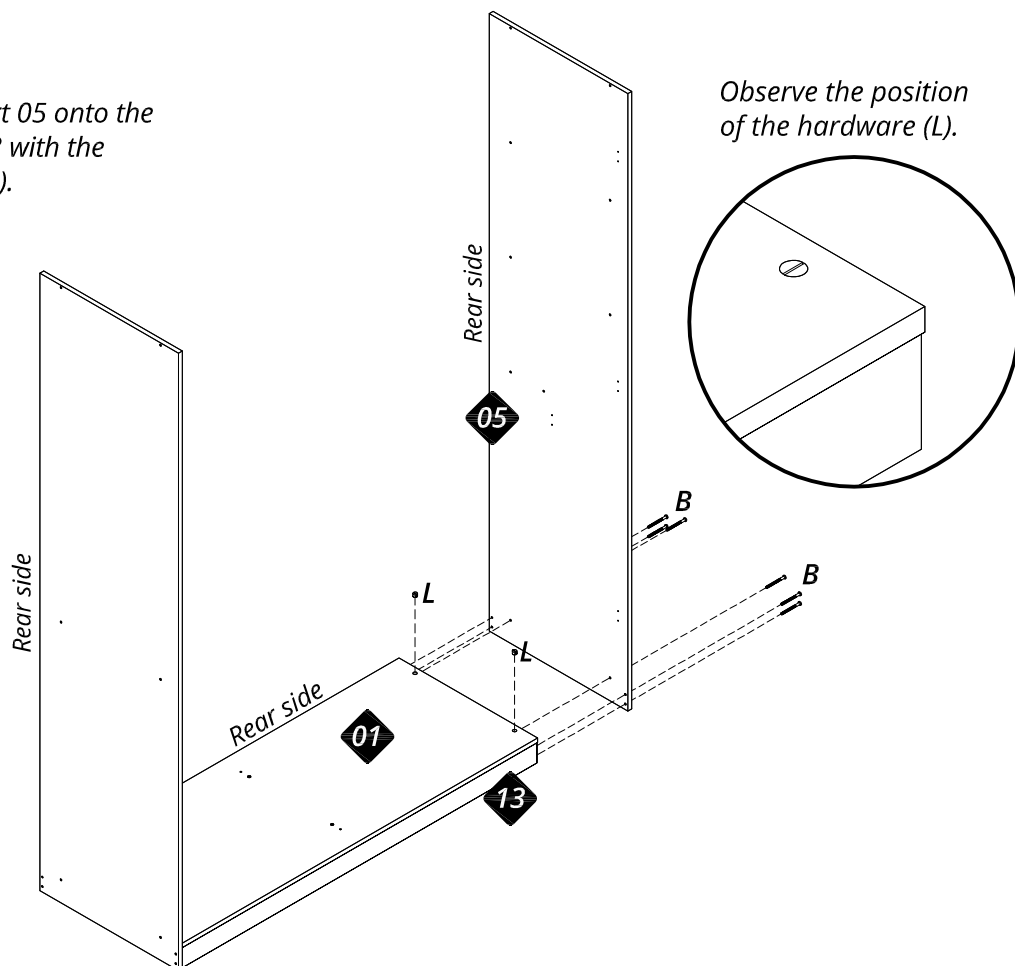


B = 06x



O = 02x

Connect the part 05 onto the parts 01 and 13 with the hardware (L + B).



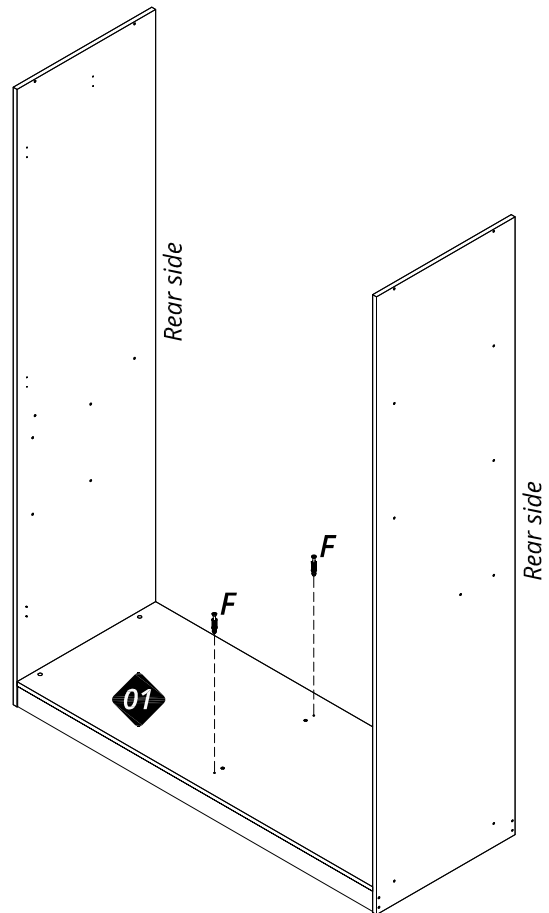
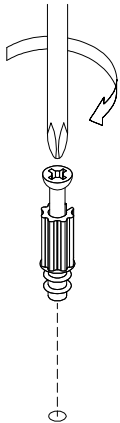
Apply the hardware (O) onto the hardware (L).

## Step 06



F = 04x

Apply the hardware (F) into the part 01.



## Step 07

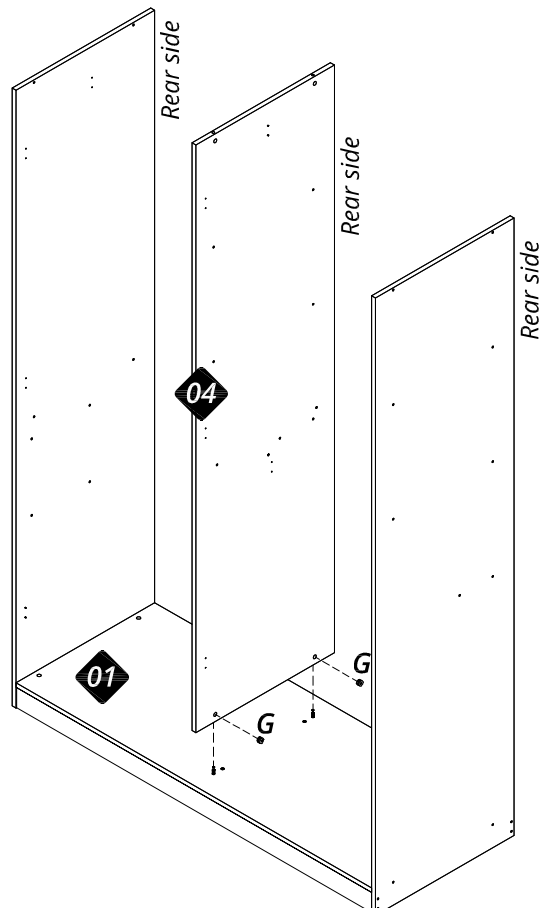
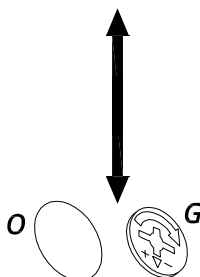
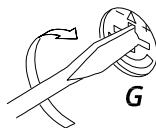
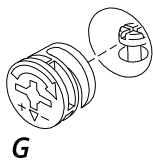


G = 02x



O = 02x

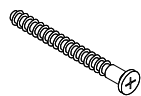
Connect the part 04 onto the part 01 with the hardware (G).



Apply the hardware (O) onto the hardware (G).

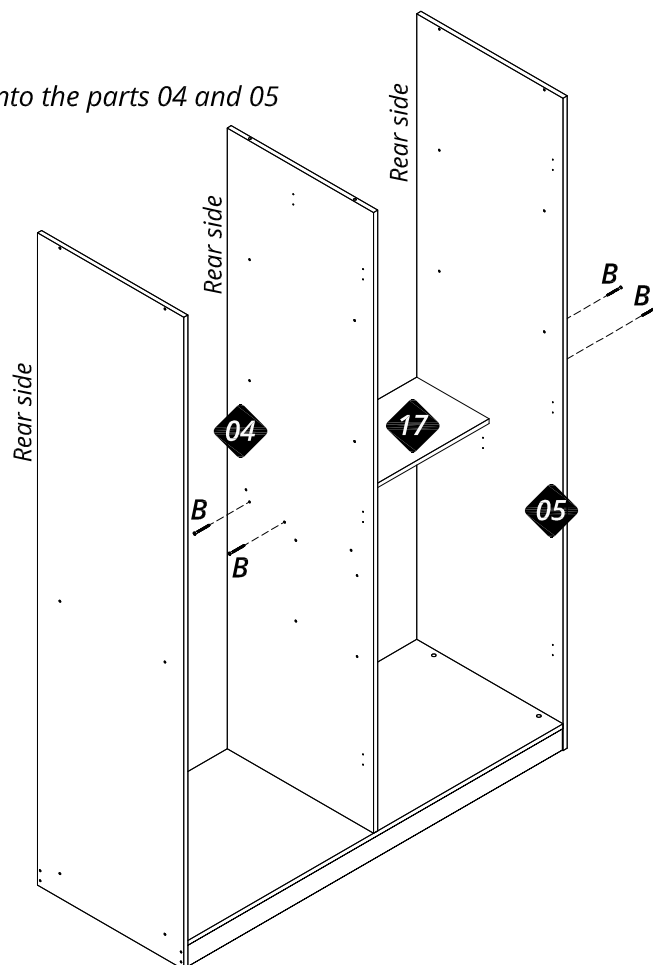


## Step 08

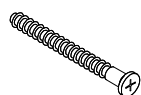


B = 04x

Connect the part 17 onto the parts 04 and 05 with the hardware (B).

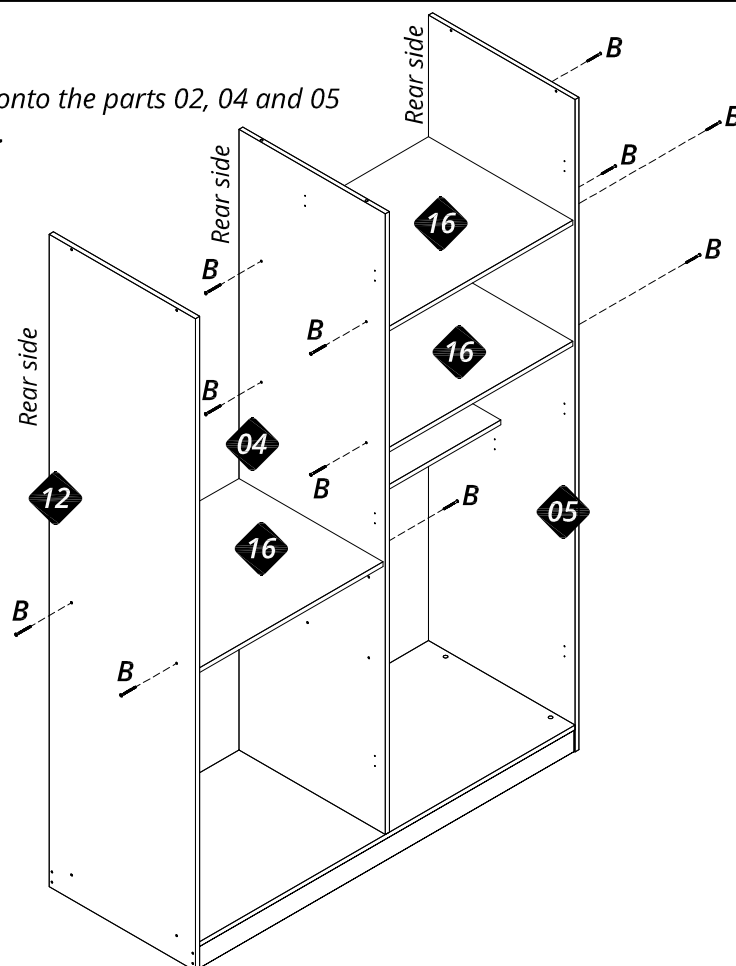


## Step 09

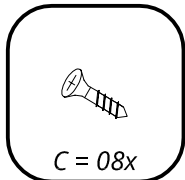
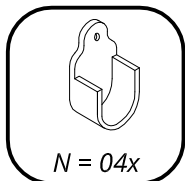


B = 12x

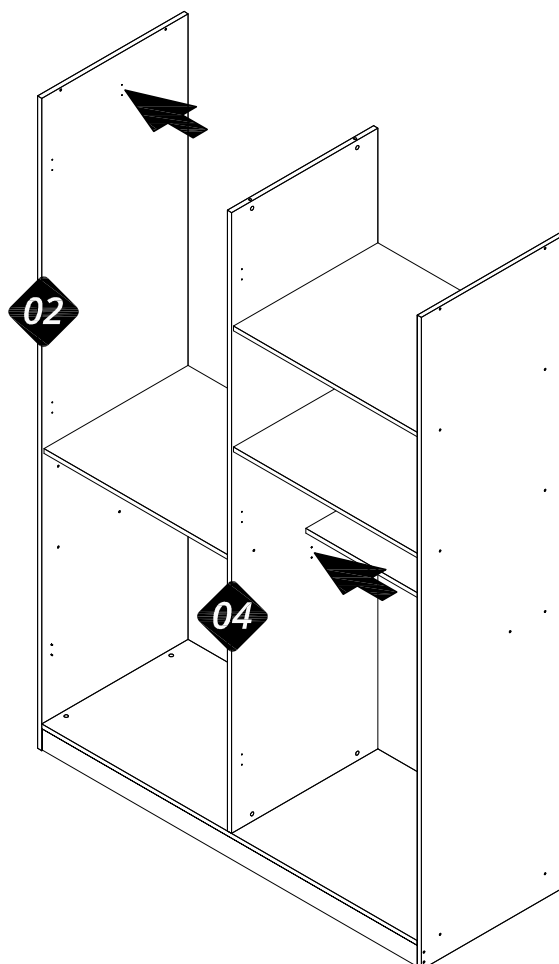
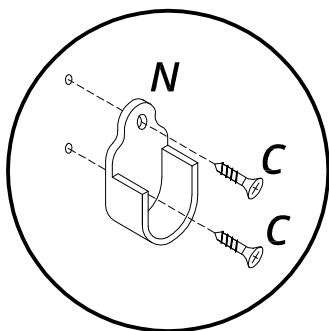
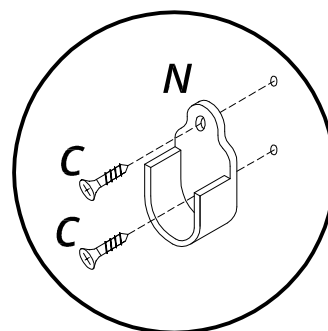
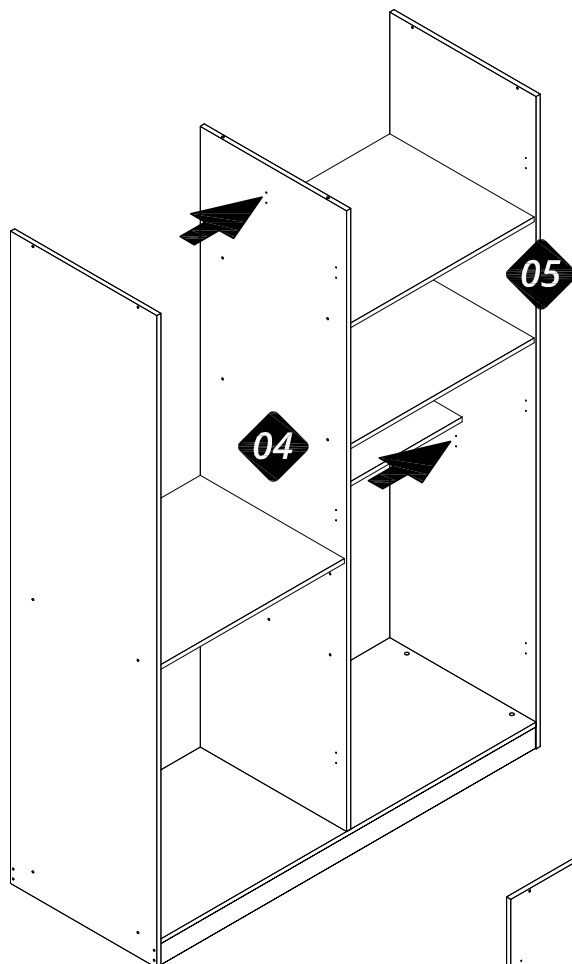
Connect the parts 16 onto the parts 02, 04 and 05 with the hardware (B).



## Step 10



Connect the hardware (N) onto the parts 02, 04 and 05 with the hardware (C).

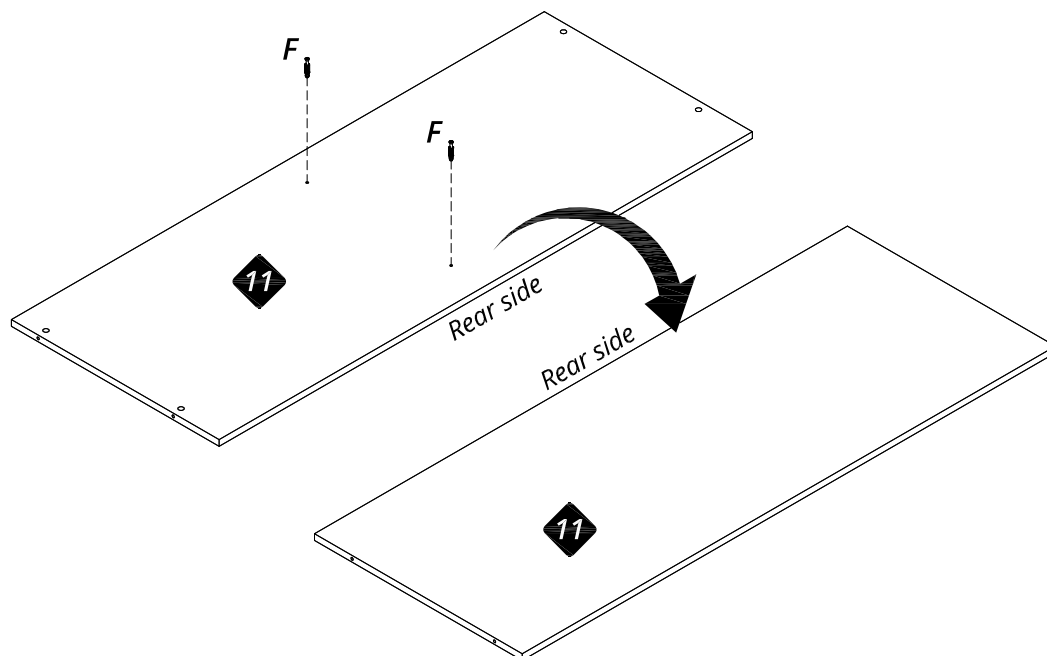
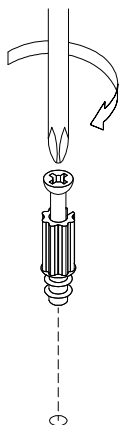


## Step 11



F = 02x

Apply the hardware (F) into the part 11.



## Step 12

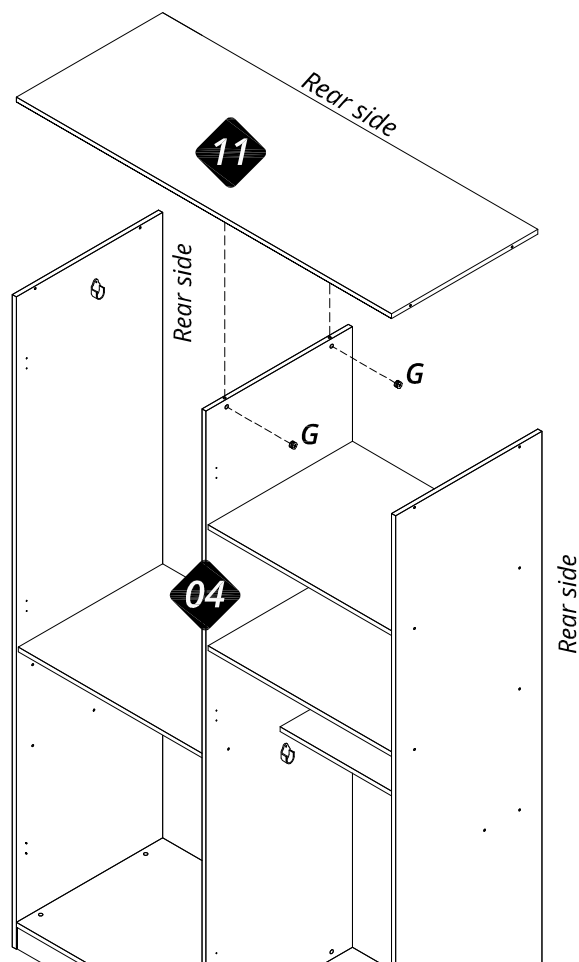
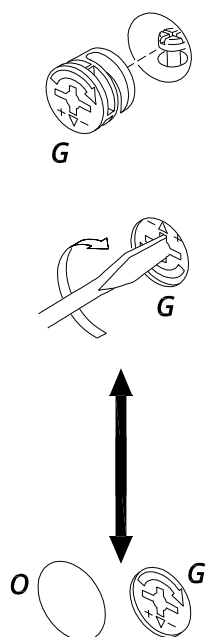


G = 02x

Connect the part 04 onto the part 01 with the hardware (G).

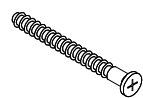


O = 02x



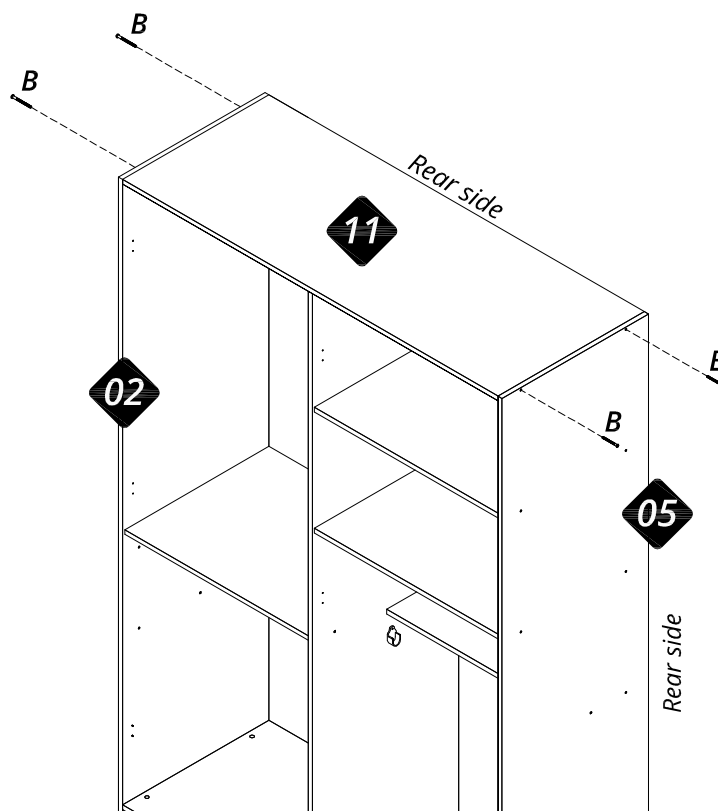
Apply the hardware (H) onto the hardware (G).

## Step 13

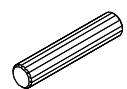


B = 04x

Connect the part 11 onto the parts 02 and 05 with the hardware (B).

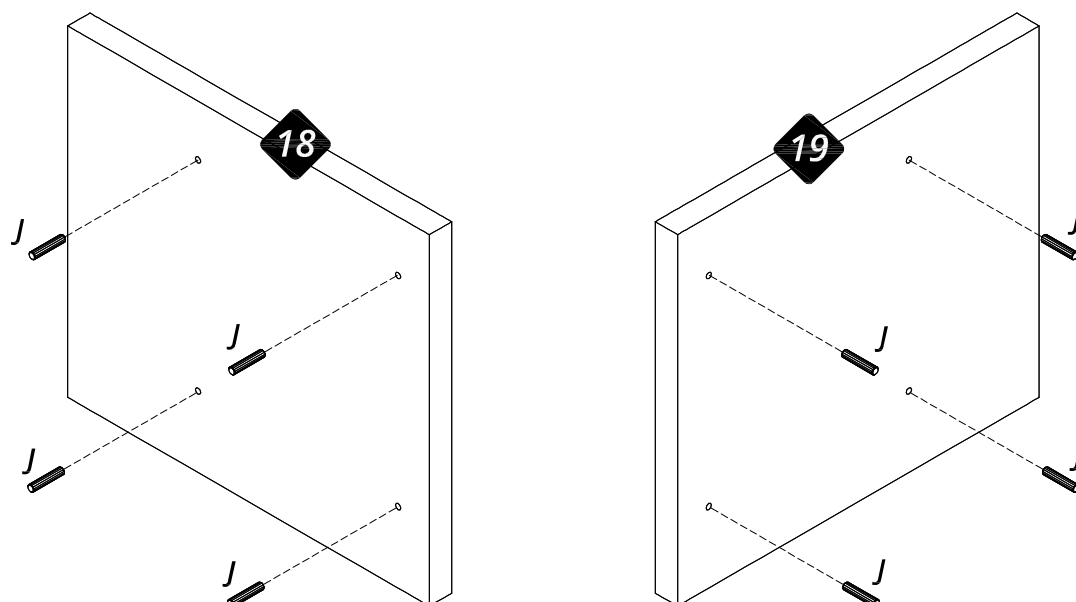


## Step 14



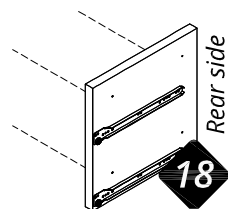
J = 08x

Apply the hardware (J) into the parts 18 and 19.



## Step 15

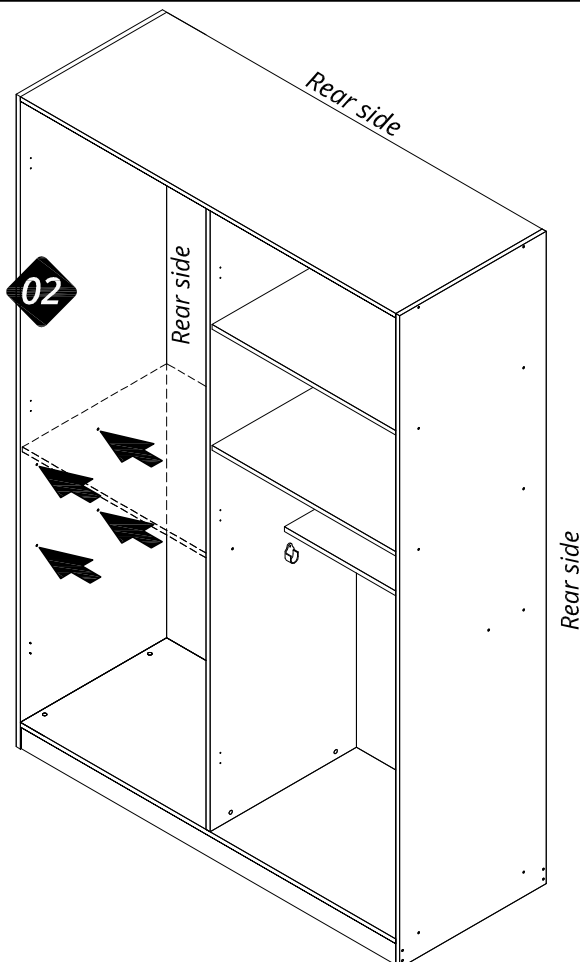
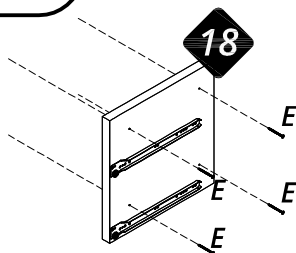
Connect the part 18 onto the part 02 using the hardware (J) plugged in the part 18.



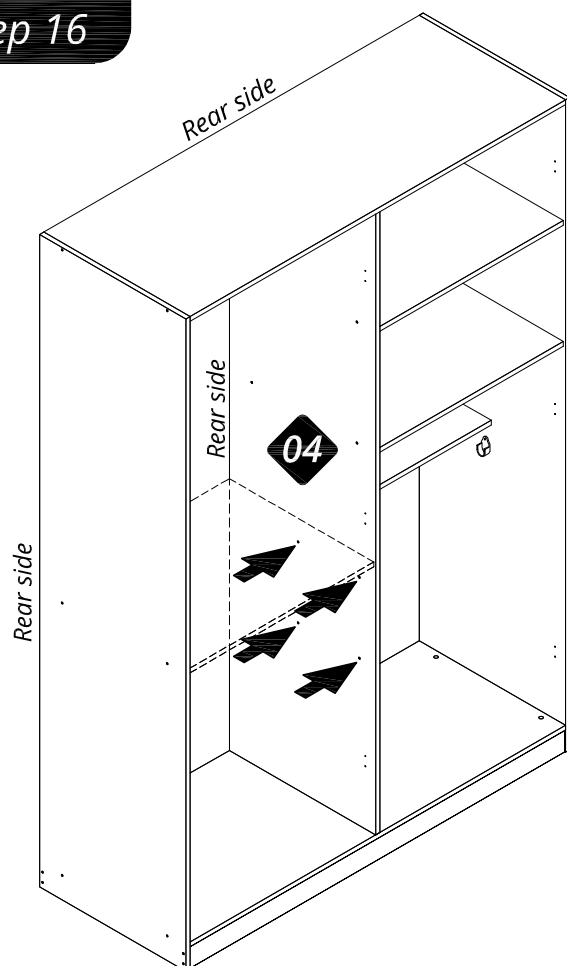
Connect the part 18 onto the part 02 with the hardware (E).



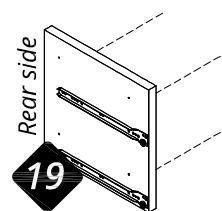
E = 04x



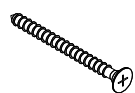
## Step 16



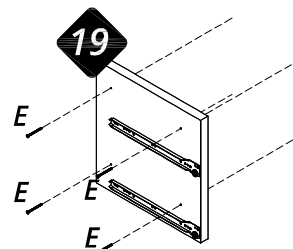
Connect the part 19 onto the part 04 using the hardware (J) plugged in the part 19.



Connect the part 19 onto the part 04 with the hardware (E).



E = 04x

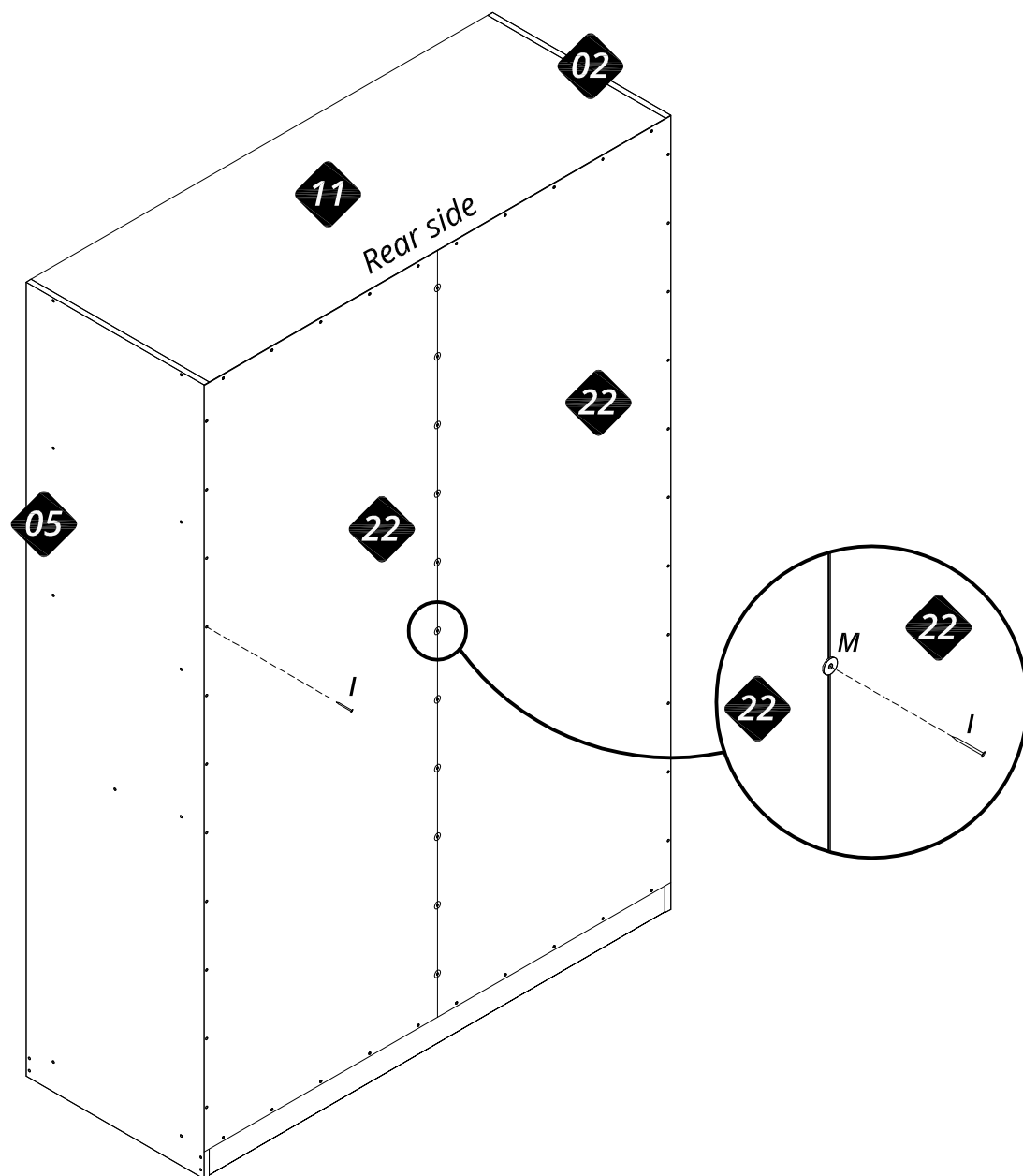
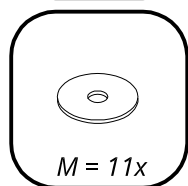
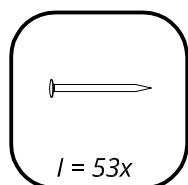


## Step 17

Before starting the process, use a try square to align the parts 02, 11, 05 and 22.

Connect the part 22 onto the parts 01, 02 and 11 with the hardware (I).

Then, connect the parts 22 of the both sides with the hardware (I + M).

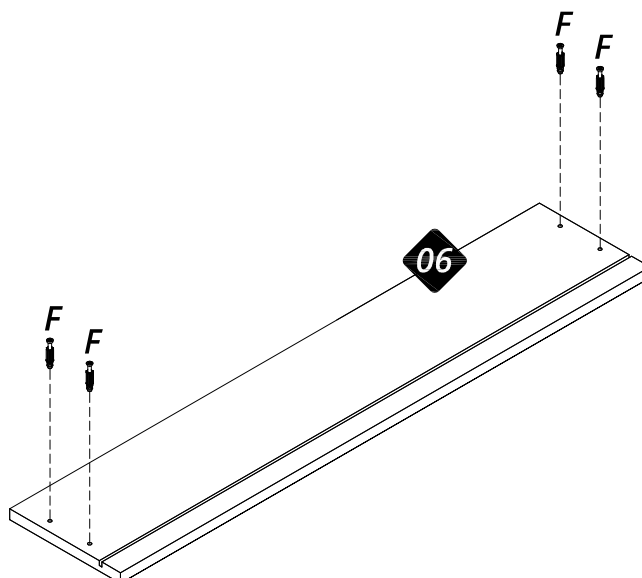


## Step 10



F = 08x

Apply the hardware (F) into the part 06.



## Step 11

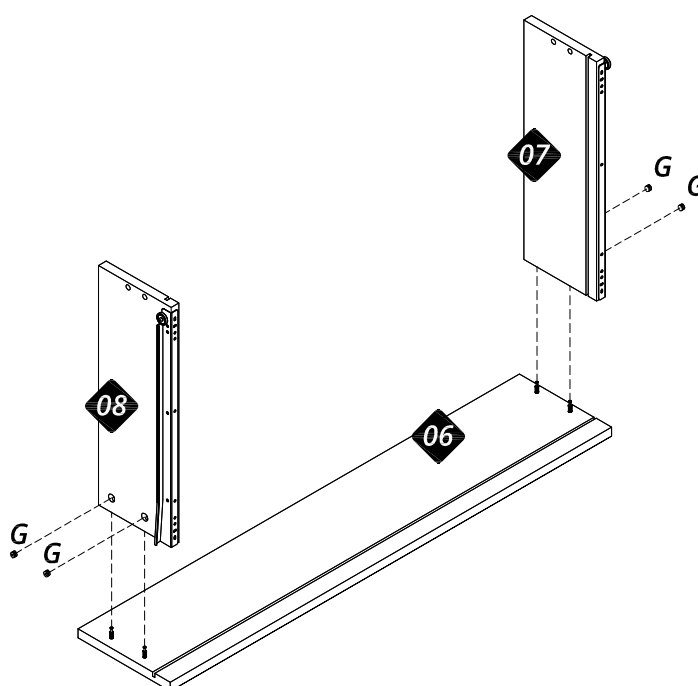
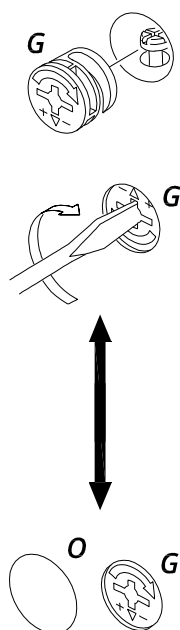


G = 08x



O = 08x

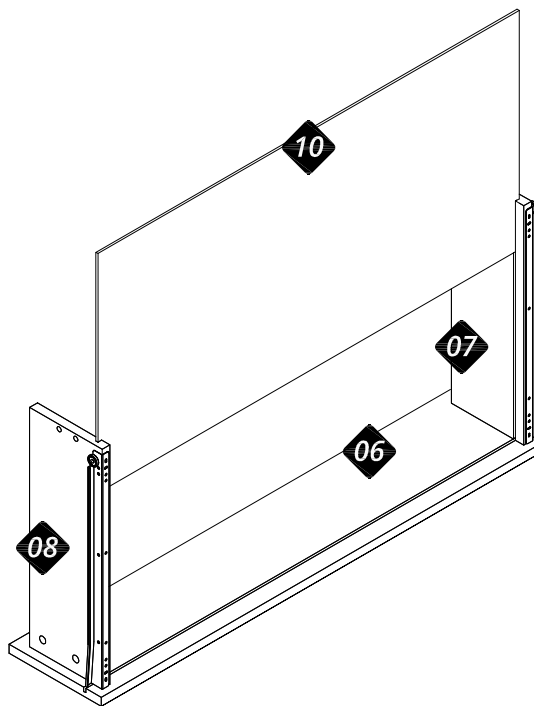
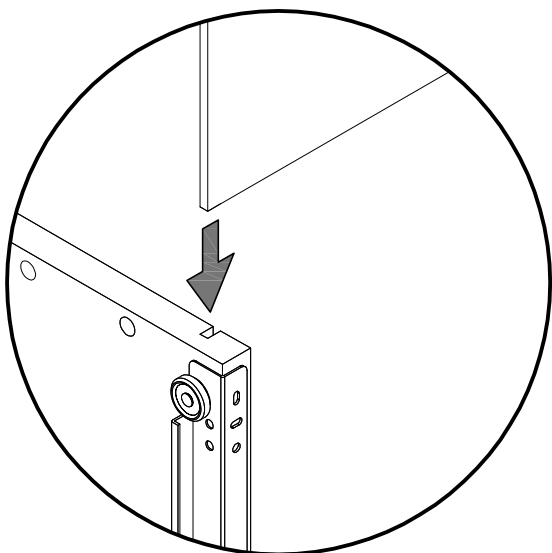
Connect the parts 07, 08 onto the part 06 with the hardware (G).



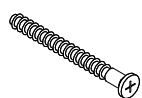
Apply the hardware (O) onto the hardware (G).

## Step 12

Apply the part 10 in the groove of the parts 07, 08 until the groove of the part 06.

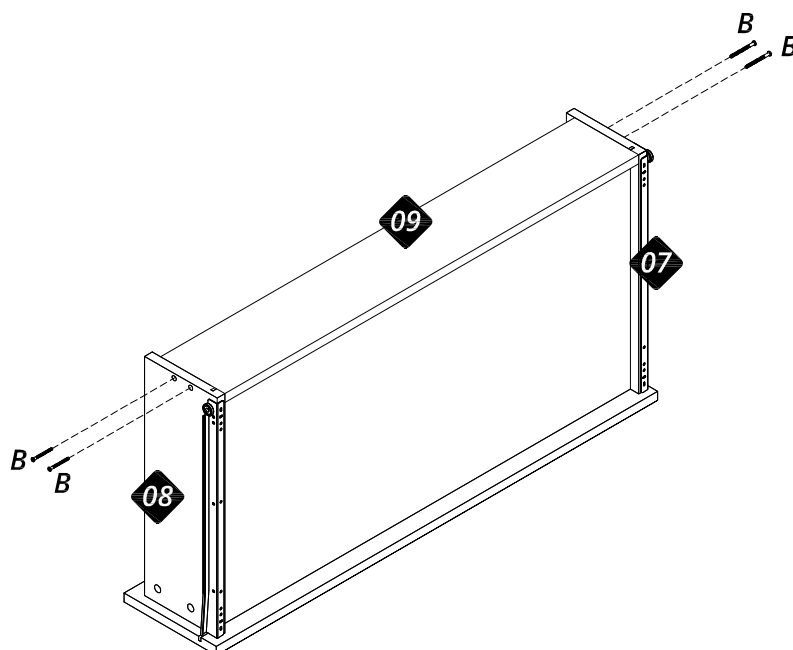


## Step 13



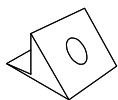
B = 08x

Connect the part 09 onto the parts 07, 08 with the hardware (B).

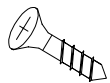




## Step 14

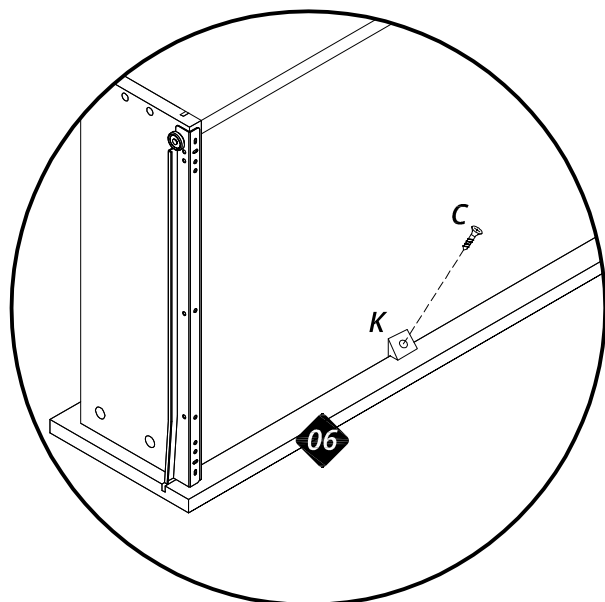
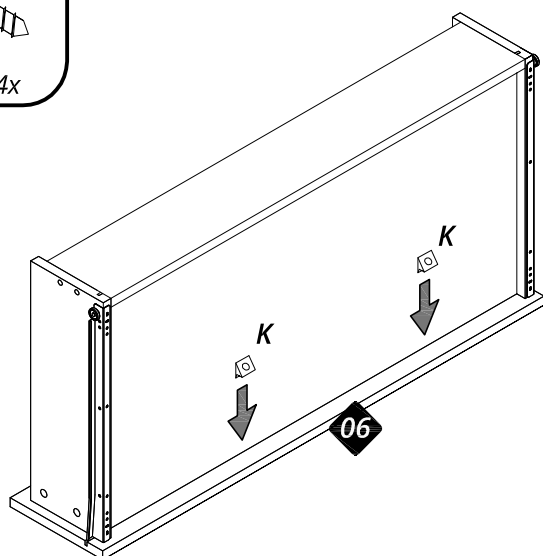


K = 04x

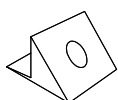


C = 04x

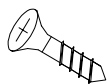
Apply the hardware (K + C) into the groove of the part 06 as shown on detail.



## Step 15

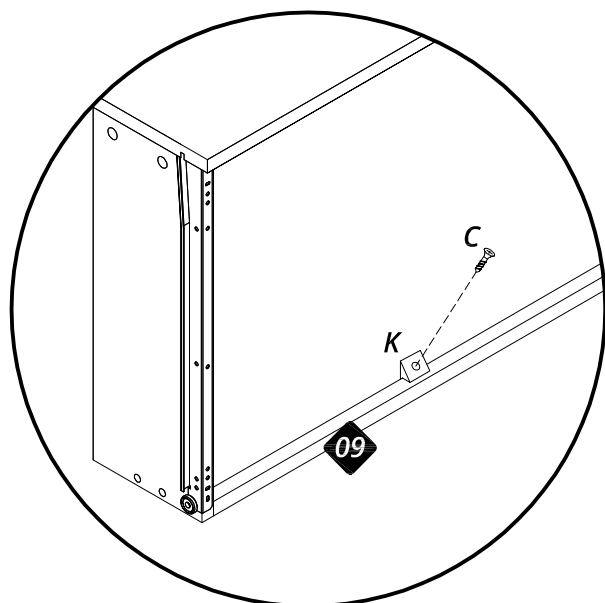
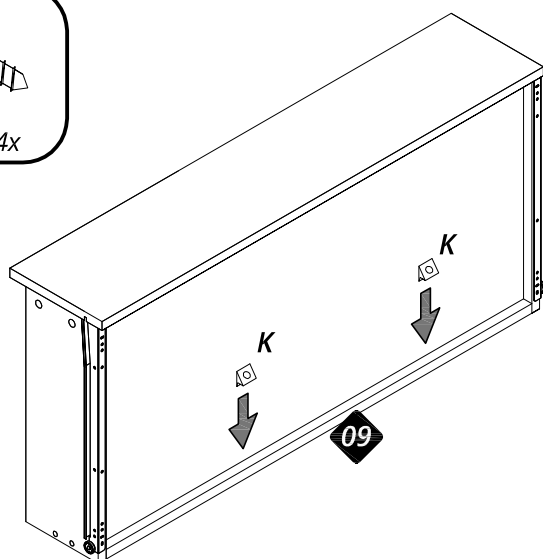


K = 04x



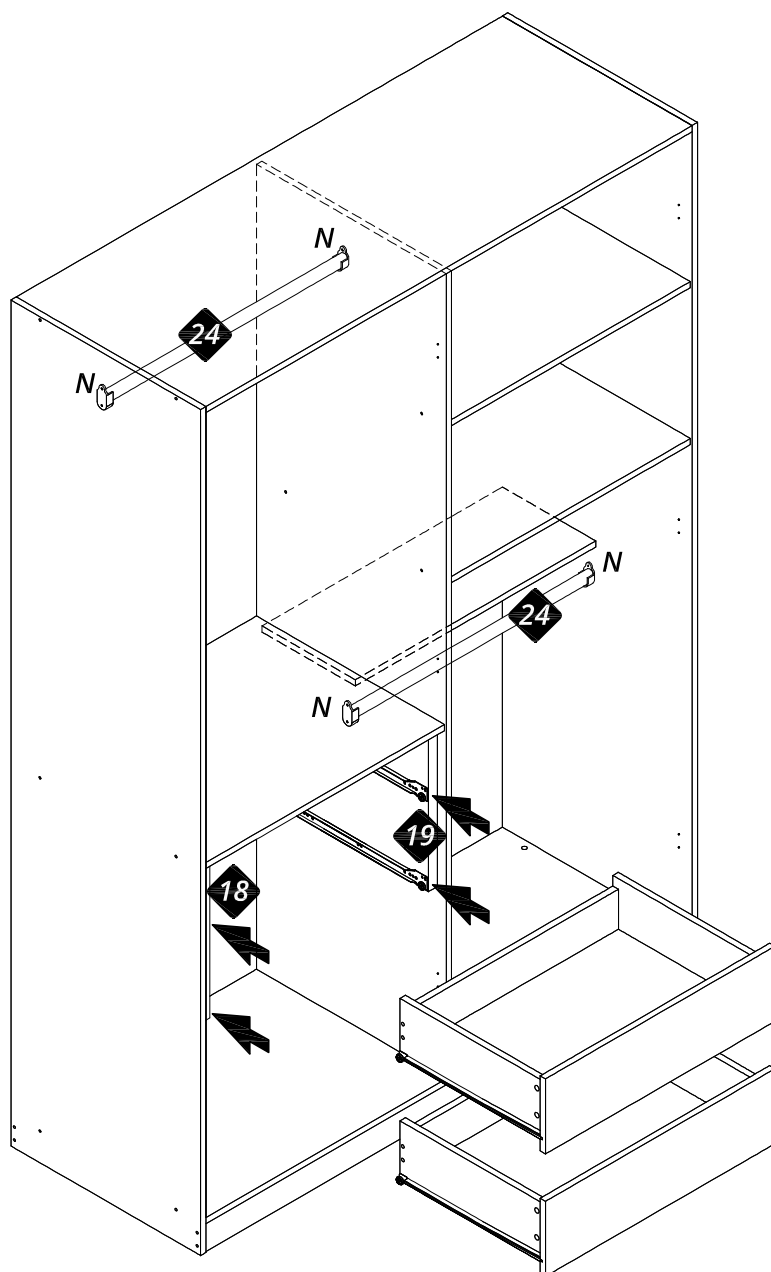
C = 04x

Apply the hardware (K + C) into the groove of the part 09 as shown on detail.



**Step 14**

Connect the parts 24 into the hardware (N).

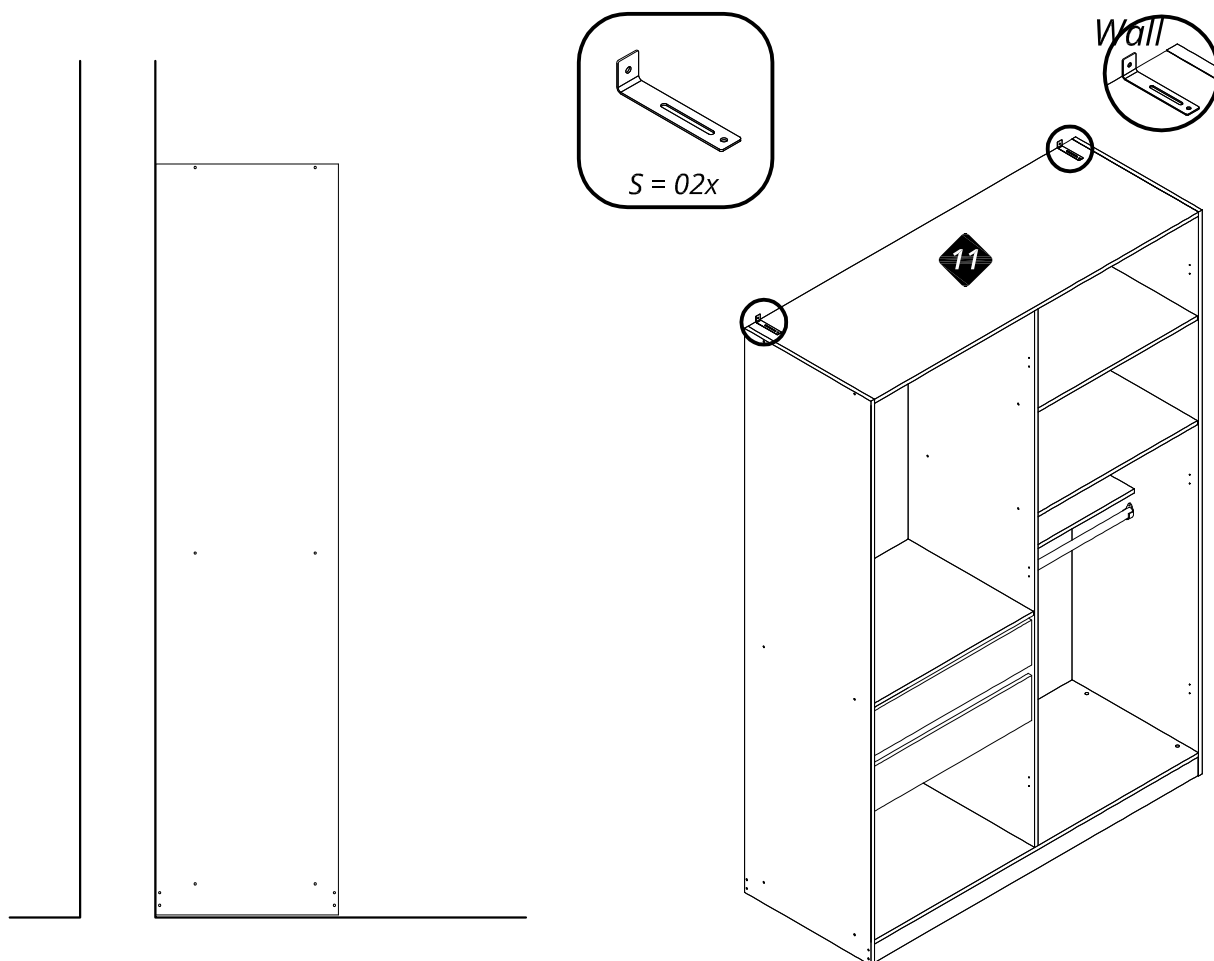


Install the drawers fitting them into the slides fixed on the parts 02 and 04.

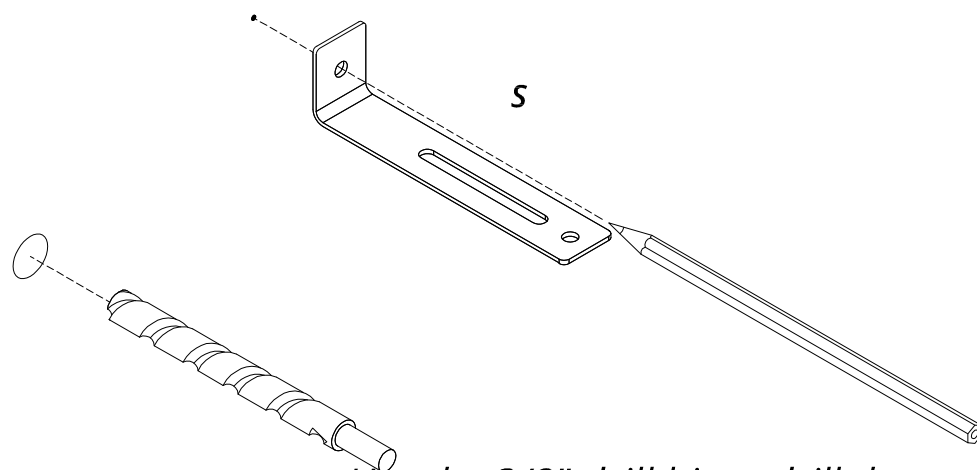
## Step 25

**Attention! Tipover system.**

First, approach the furniture as close as possible to the wall.

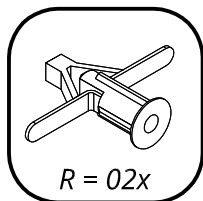


You will need a pencil to mark where you should drill the wall with a 3/8" drill bit to put in the hardware (R).

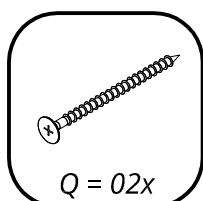
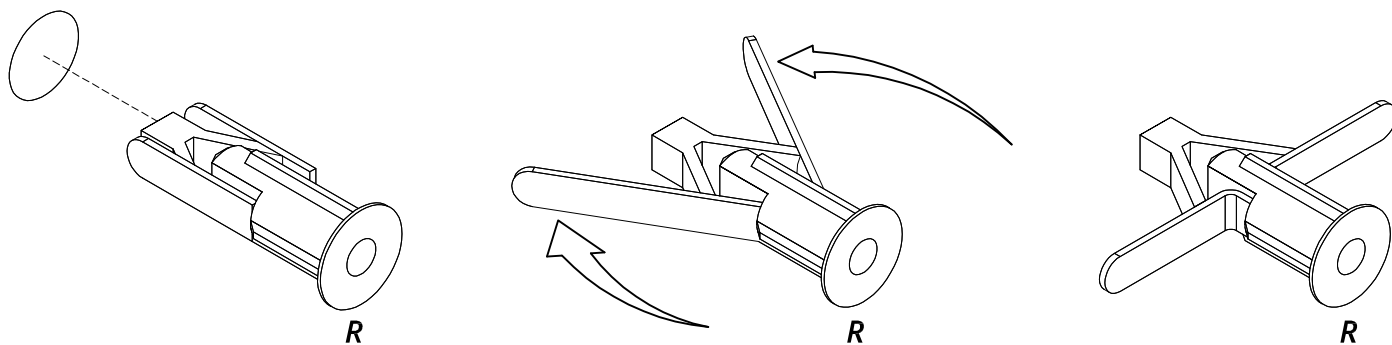


Use the 3/8" drill bit to drill the wall.

## Step 26

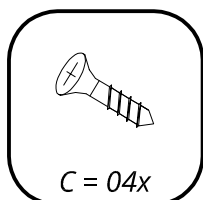
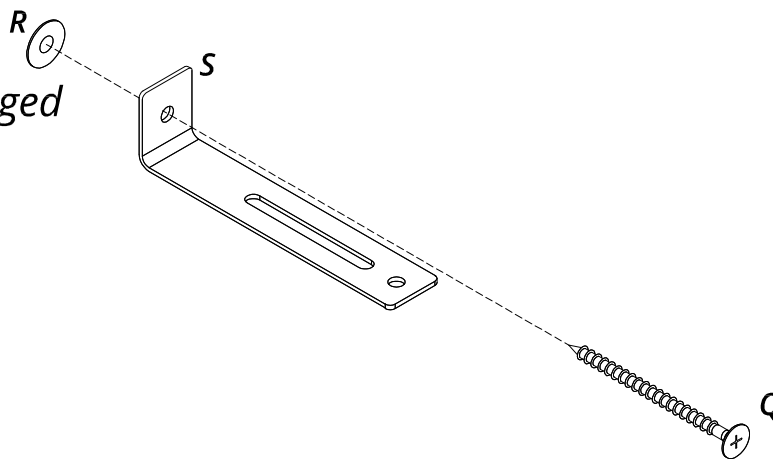
**Attention! Tipover system.**

Press the wings of the hardware (R) and put it in to the hole that you drilled on the wall.

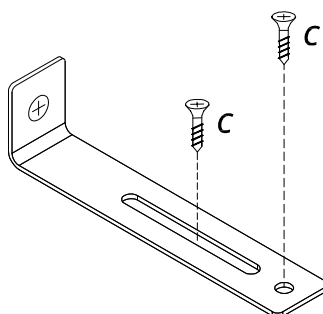


Connect the hardware (S) on the wall using the hardware (Q).

\*Hardware (R) plugged in the wall.



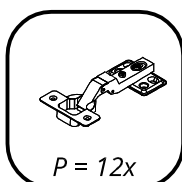
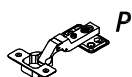
Connect the hardware (S), on the part 11 with the hardware (C).



## Step 27

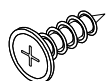
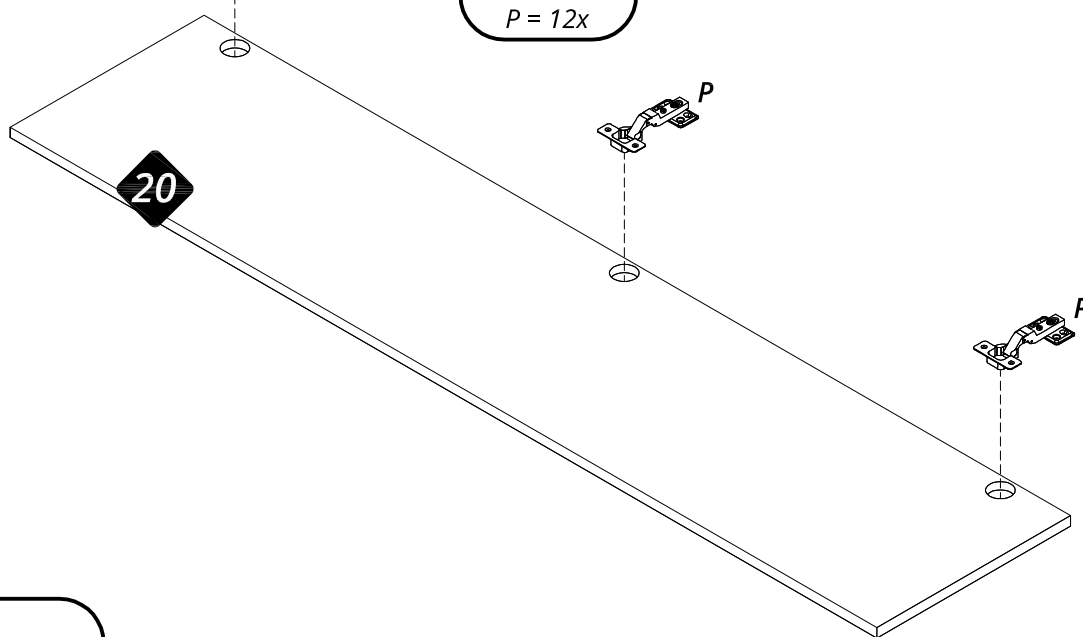
**Door assembly and adjustment****Attention!**

**Is the wardrobe in the right place?  
If yes go ahead installing the doors.**

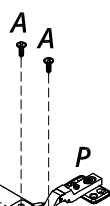


P = 12x

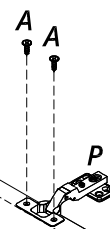
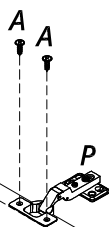
Insert the hardware (P) into the parts 20.



A = 24x



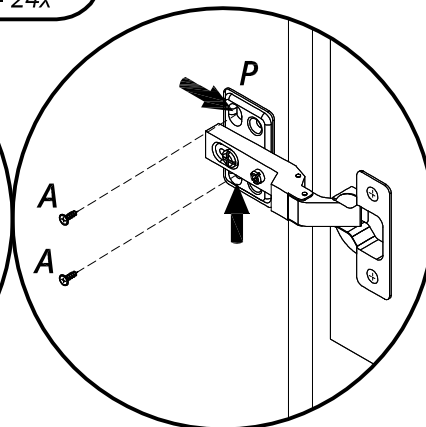
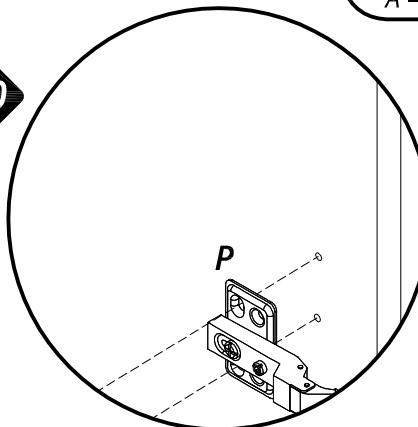
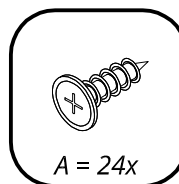
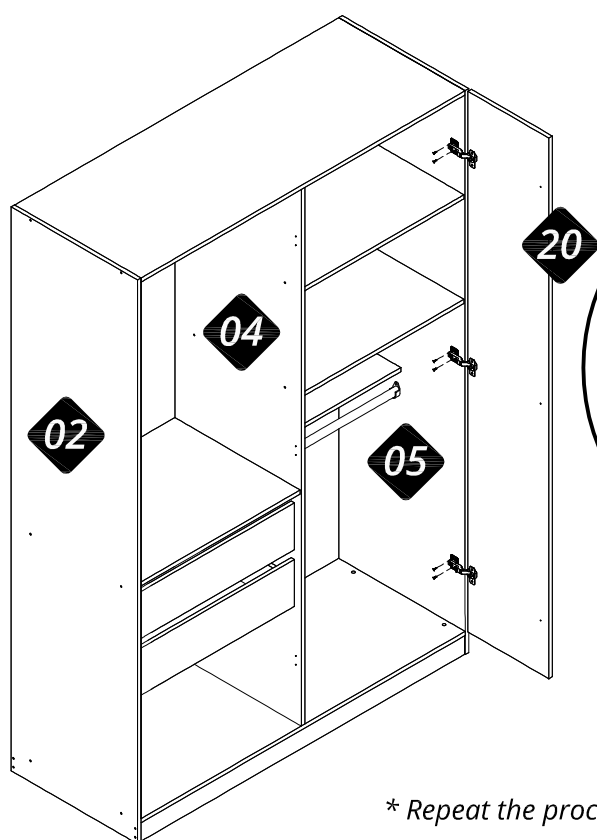
You must align the hardware (P) parallel with the edge of the door before connect them with the hardware (A).



\* Repeat the procedure on all the doors.

## Step 28

Connect the parts 20 onto the parts 05, 04 and 02 with the hardware (A)

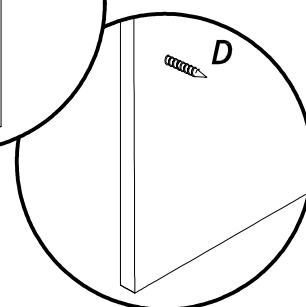
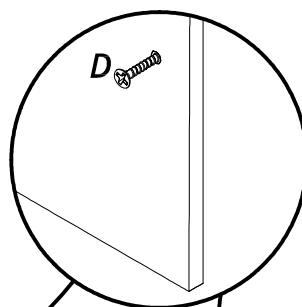
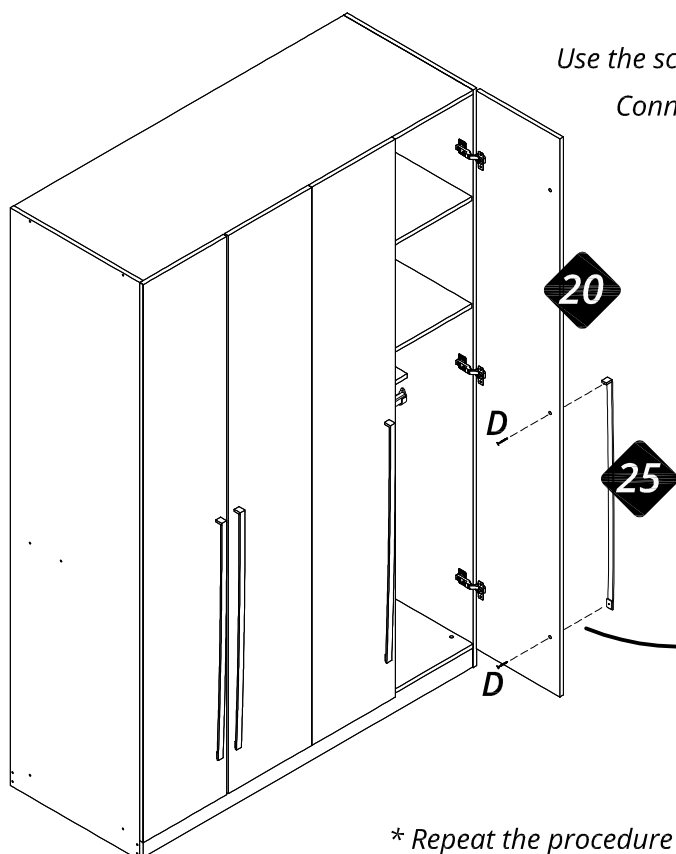


Attention! Fix the hardware (A) in the indicated hinge hole.

\* Repeat the procedure to install all the doors.

## Step 29

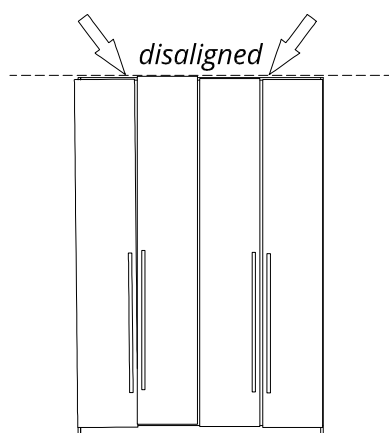
Use the screw (D) until it pass through the door from inside to outside.  
Connect the parts 25 onto the parts 20 with the hardware (D).



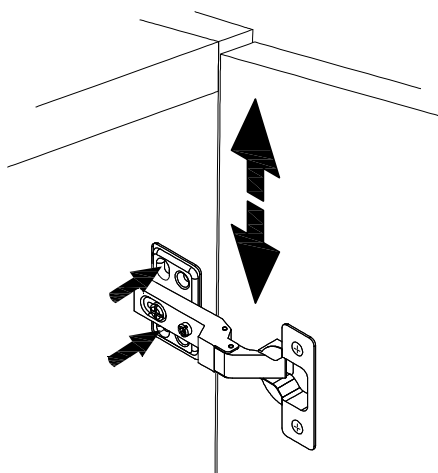
\* Repeat the procedure to install all the handles.

## Step 30

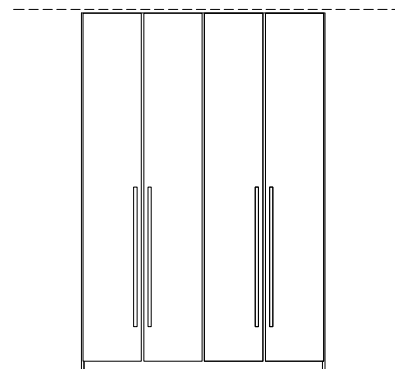
Starting aligning all the doors using as reference the Top Panel (11).



To adjust the alignment of the doors loosen the indicated screw and adjust the 3 hinges up or down on each door, and after aligned, retighten all the screws.

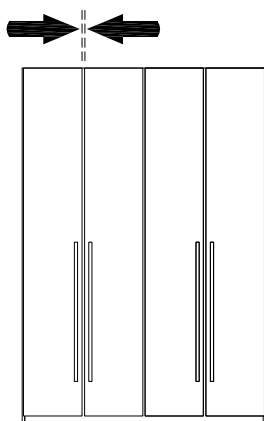


Correct adjustment!  
aligned

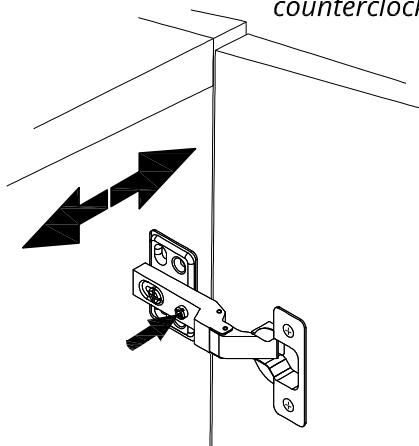


## Step 31

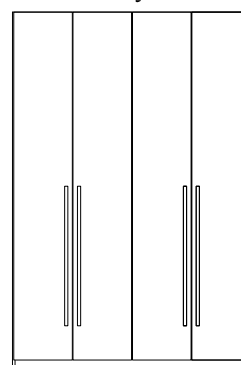
Adjusting the distance between the doors.



To adjust the distance between the doors turn the indicated screw to the clockwise or counterclockwise.

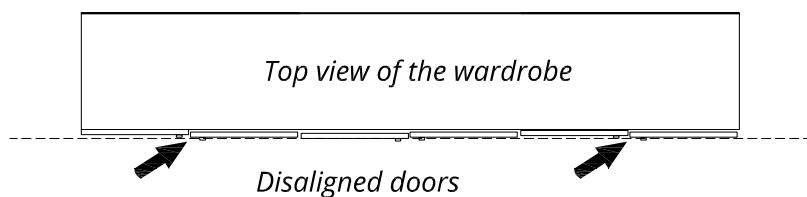


Correct adjustment!

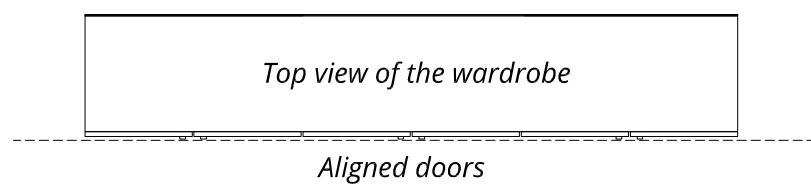
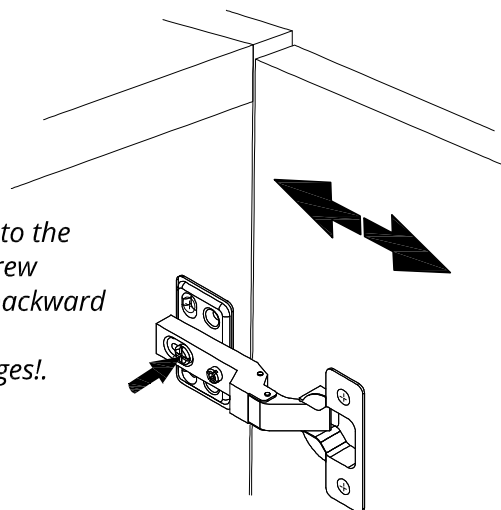


## Step 32

*Ajusting the distance between the doors of the wardrobe.*



*To adjust the nearby of the doors to the wardrobe loosen the indicated screw and adjust the hinge forward or backward then retighten the screw  
It is necessary to check all the hinges!.*



## Step 33

**Attention!**

*To finish the assemblage, and after all the doors adjusted, fix the hardware (A) in the indicated hinge holes*

*Repeat the process for all the ninges.*

