

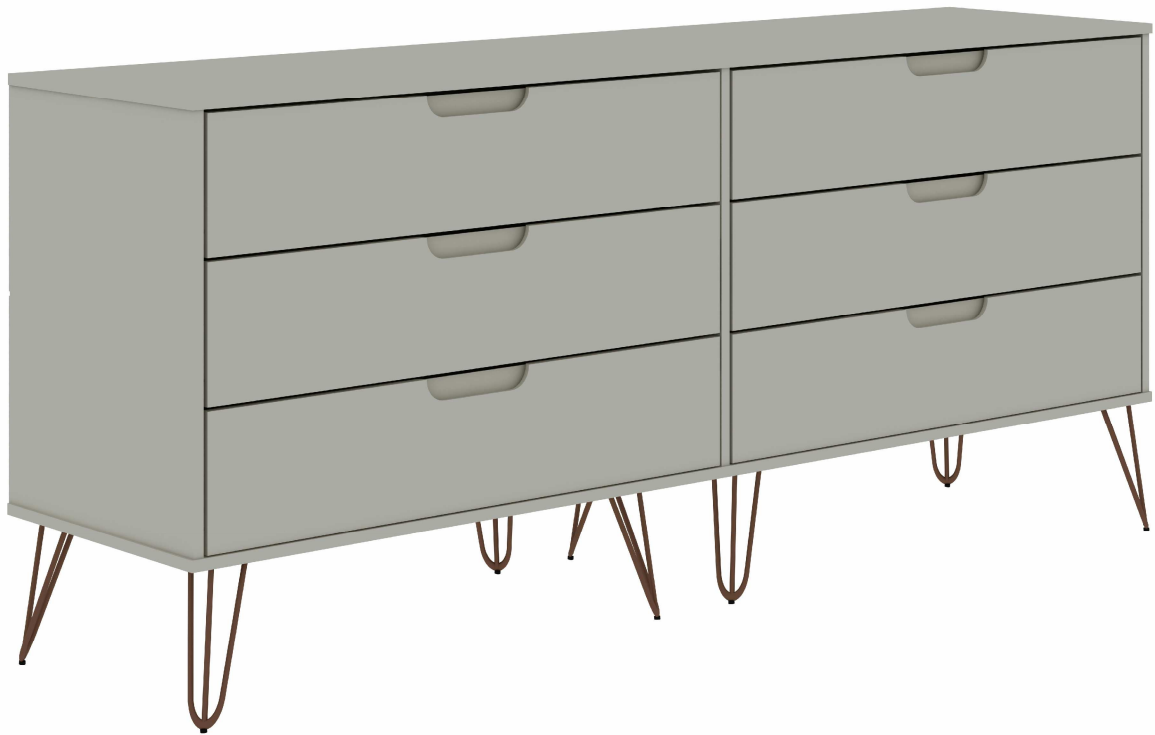


MANHATTAN
COMFORT

888-230-2225

help@manhattancomfort.com

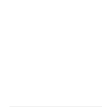
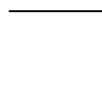
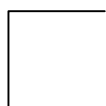
319 Ridge Rd, Dayton, NJ08810, New Jersey - United States

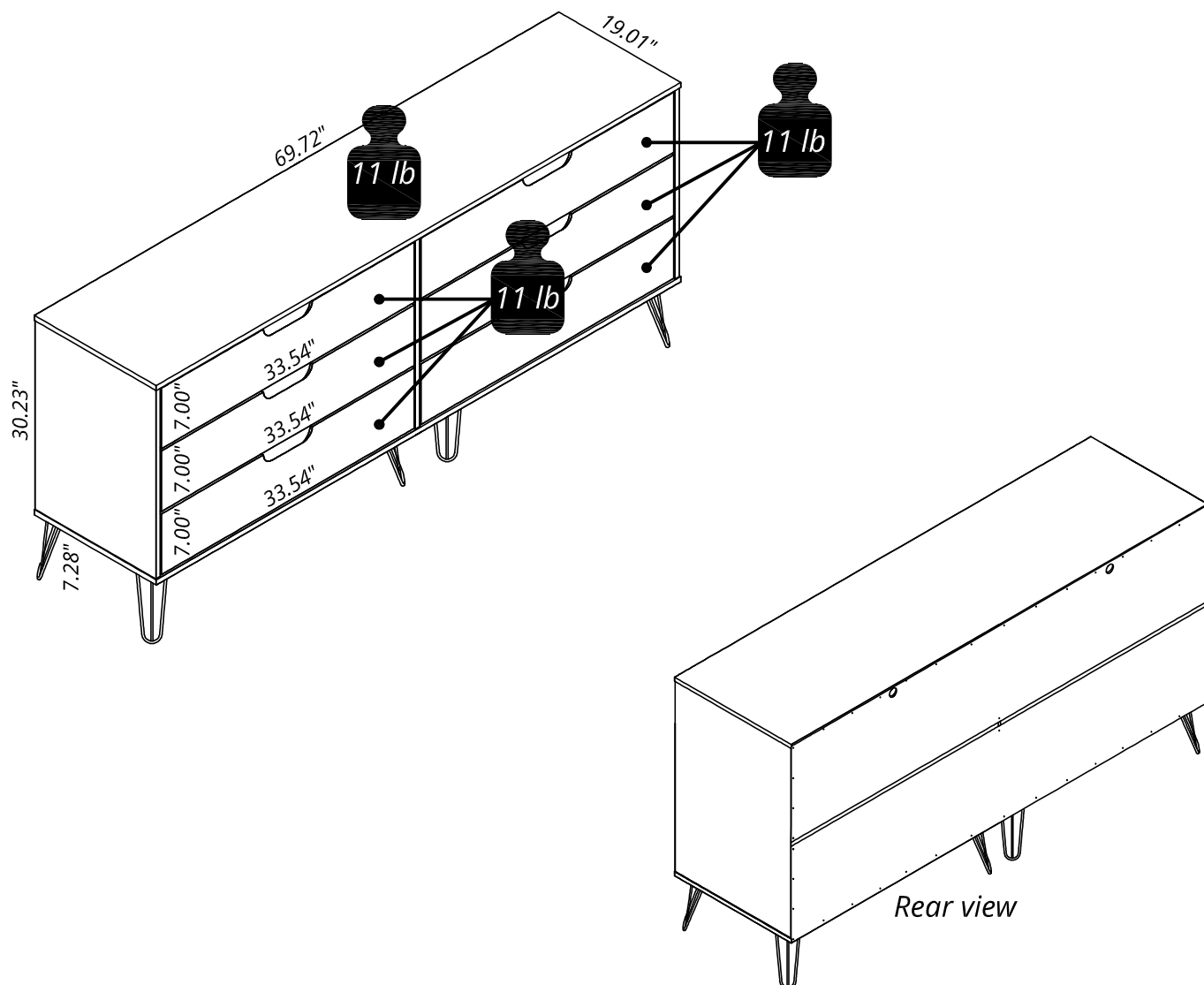


Rockefeller

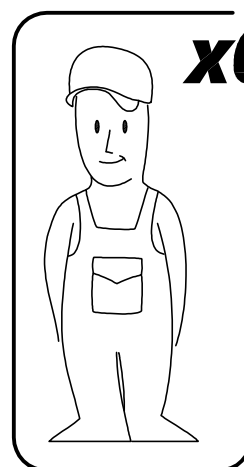
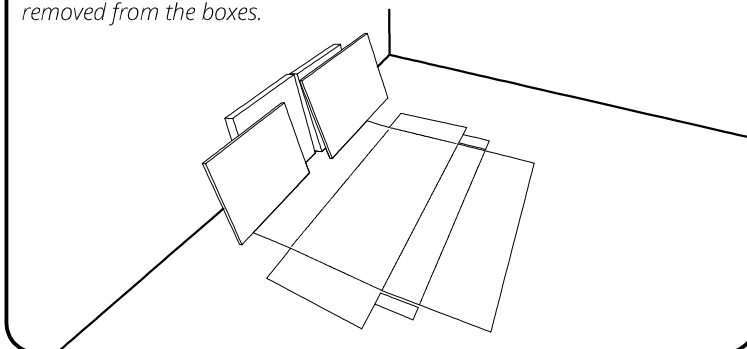
Double 6 - Drawer Dresser

You can access the QR code to watch the assembly video!

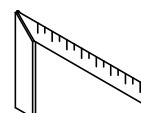
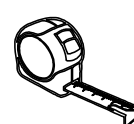
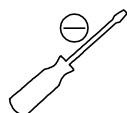
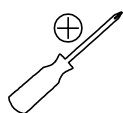




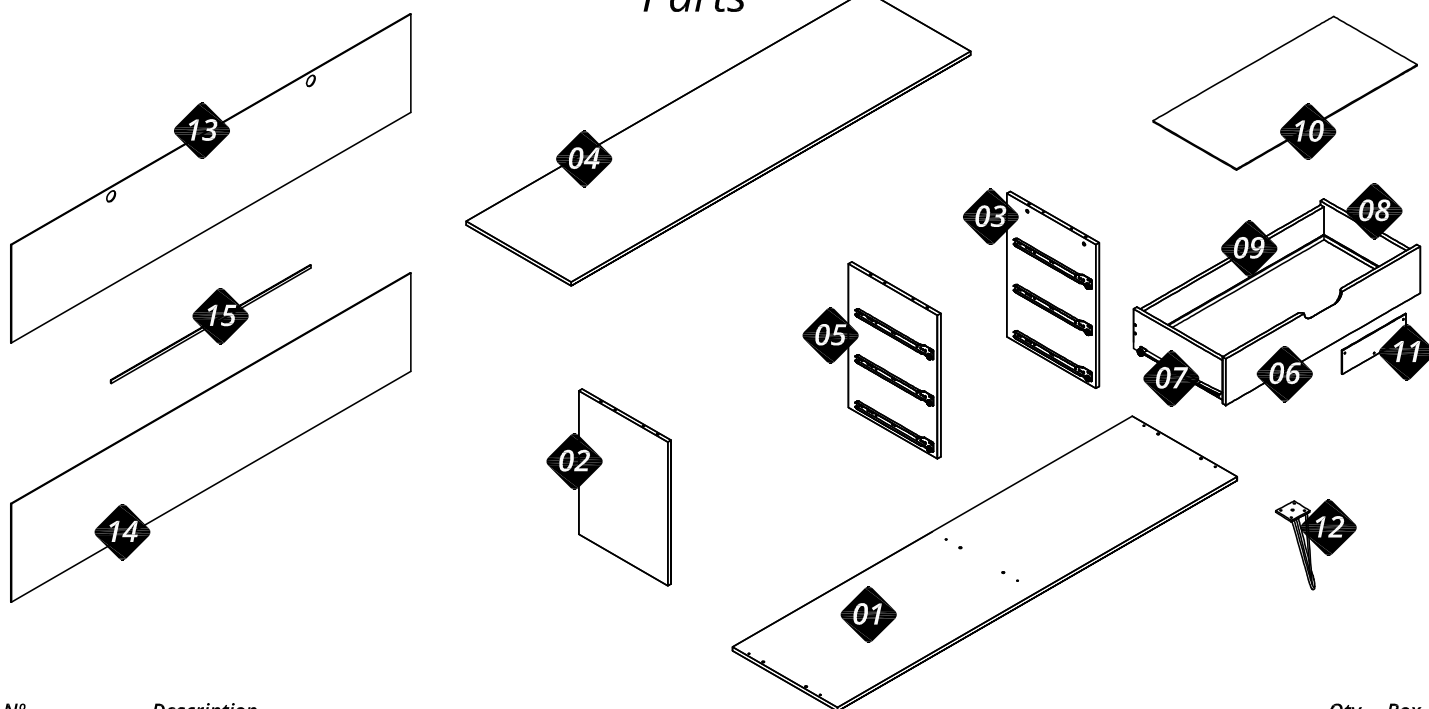
Prepare the room before starting the assembly, leaving it completely clean and the area in good condition to start the work.
Use the cardboard of the packaging to separate and support the parts removed from the boxes.



Recommended tools (not included)

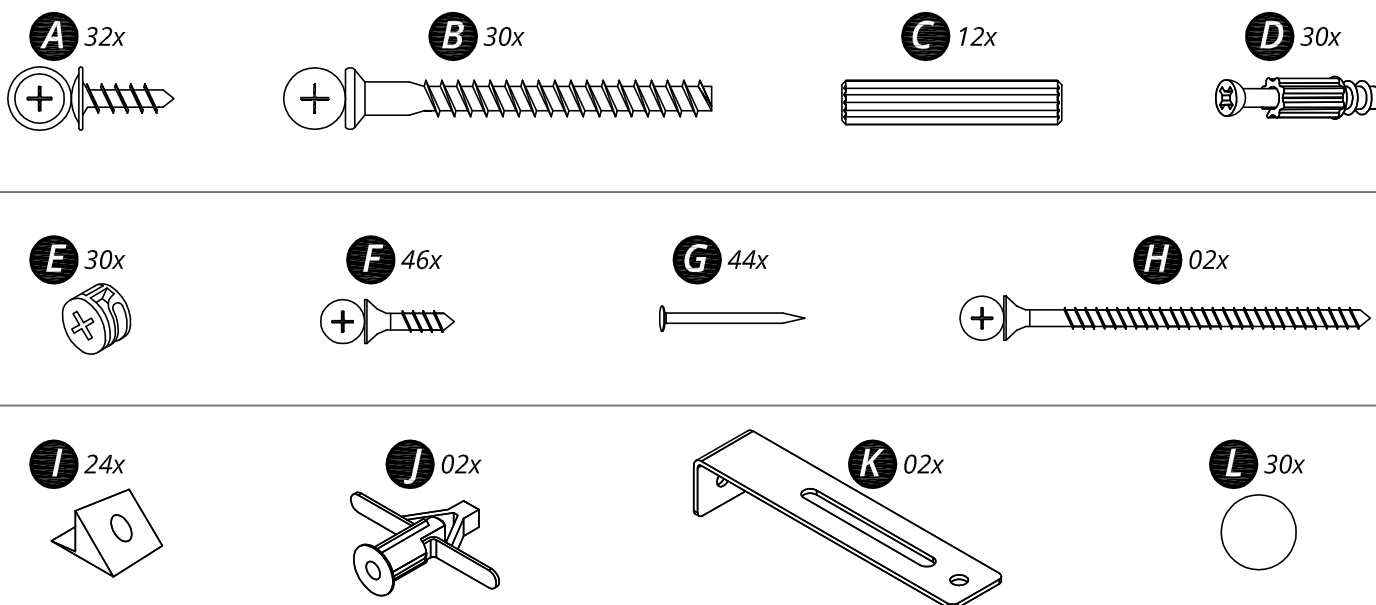


Parts



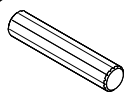
N°	Description	Qty.	Box
01	Base	01	01
02	Left side panel	01	02
03	Right side panel	01	02
04	Top panel	01	01
05	Partition Panel	01	02
06	Front of the drawer	06	01
07	Left side panel of the drawer	06	02
08	Right side panel of the drawer	06	02
09	Rear panel of the drawer	06	01
10	Base of the drawer	06	02
11	Decorative apply	06	01
12	Feet	08	01
13	Upper back panel (hole)	01	01
14	Lower back panel	01	01
15	Plastic union profile	02	01

Hardware (box 02)



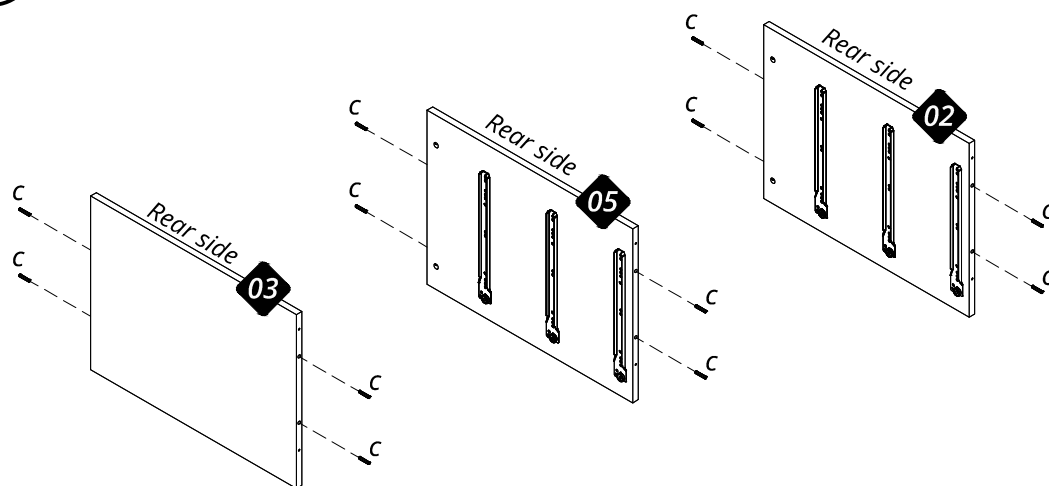
Attention, all the assemblage must be done on the cardboard box or the Styrofoam boards to avoid damage to the parts.

Step 01

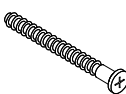


C = 12x

Insert the hardware (C) into the parts 02, 03 and 05

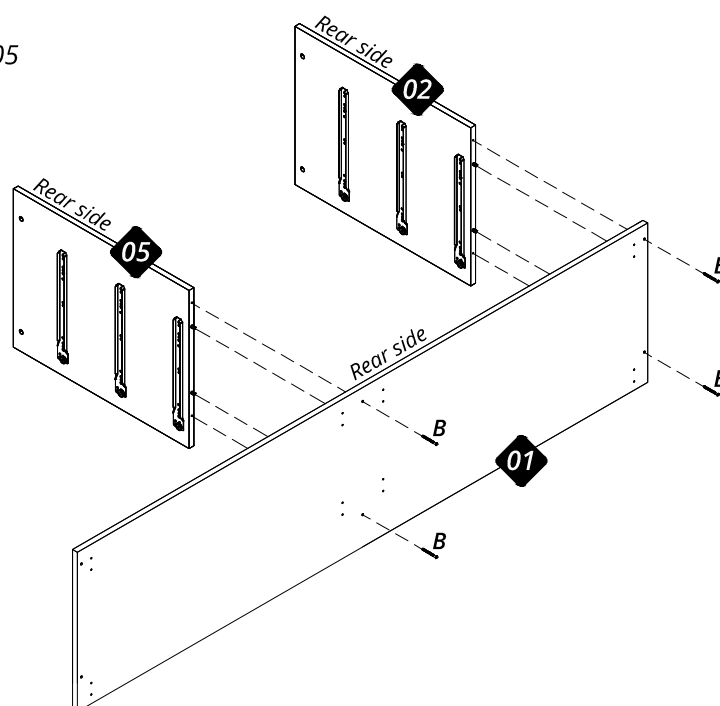


Step 02

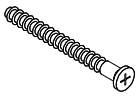


B = 04x

Connect the part 02 and 05 onto the part 01 with the hardware (B).

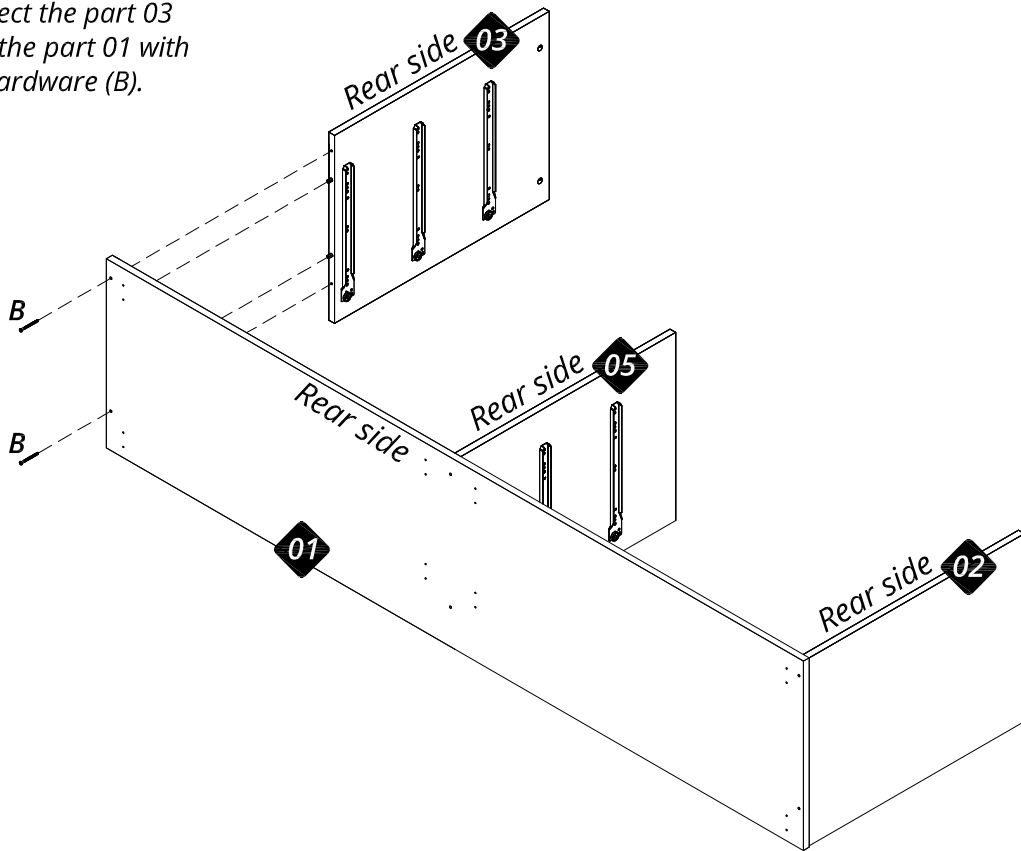


Step 03



B = 02x

Connect the part 03 onto the part 01 with the hardware (B).

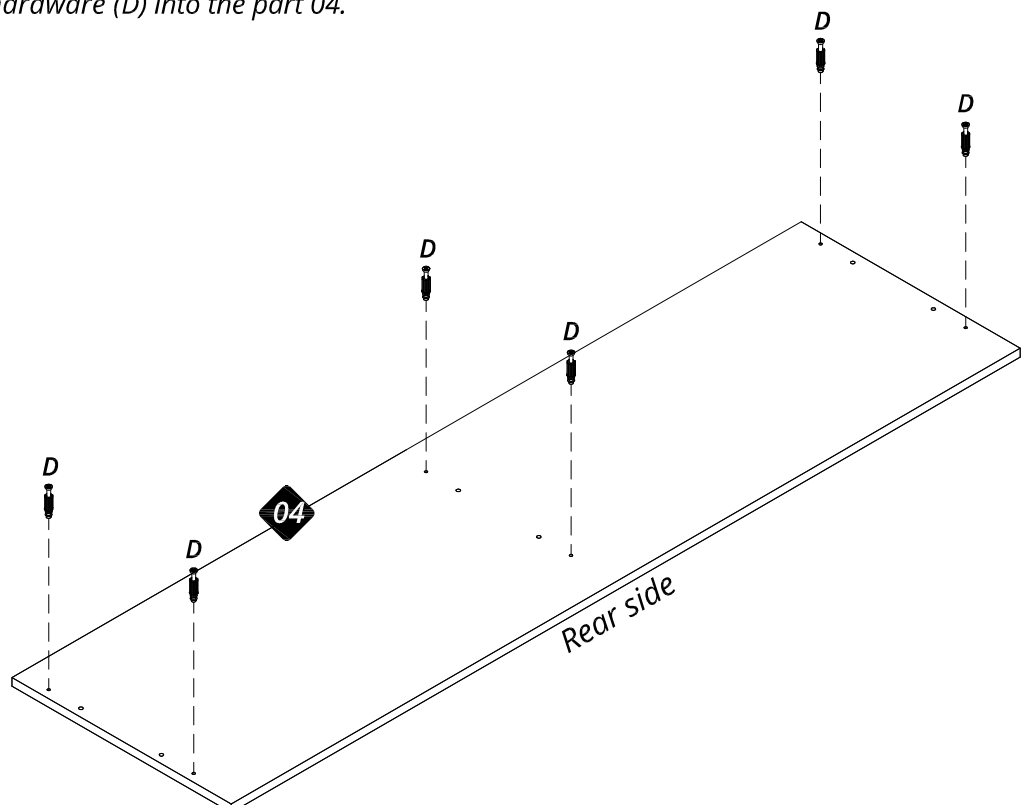
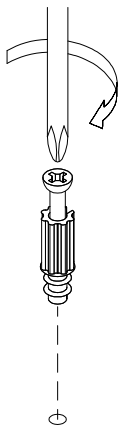


Step 04



D = 06x

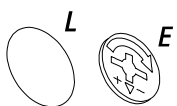
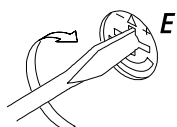
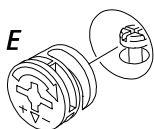
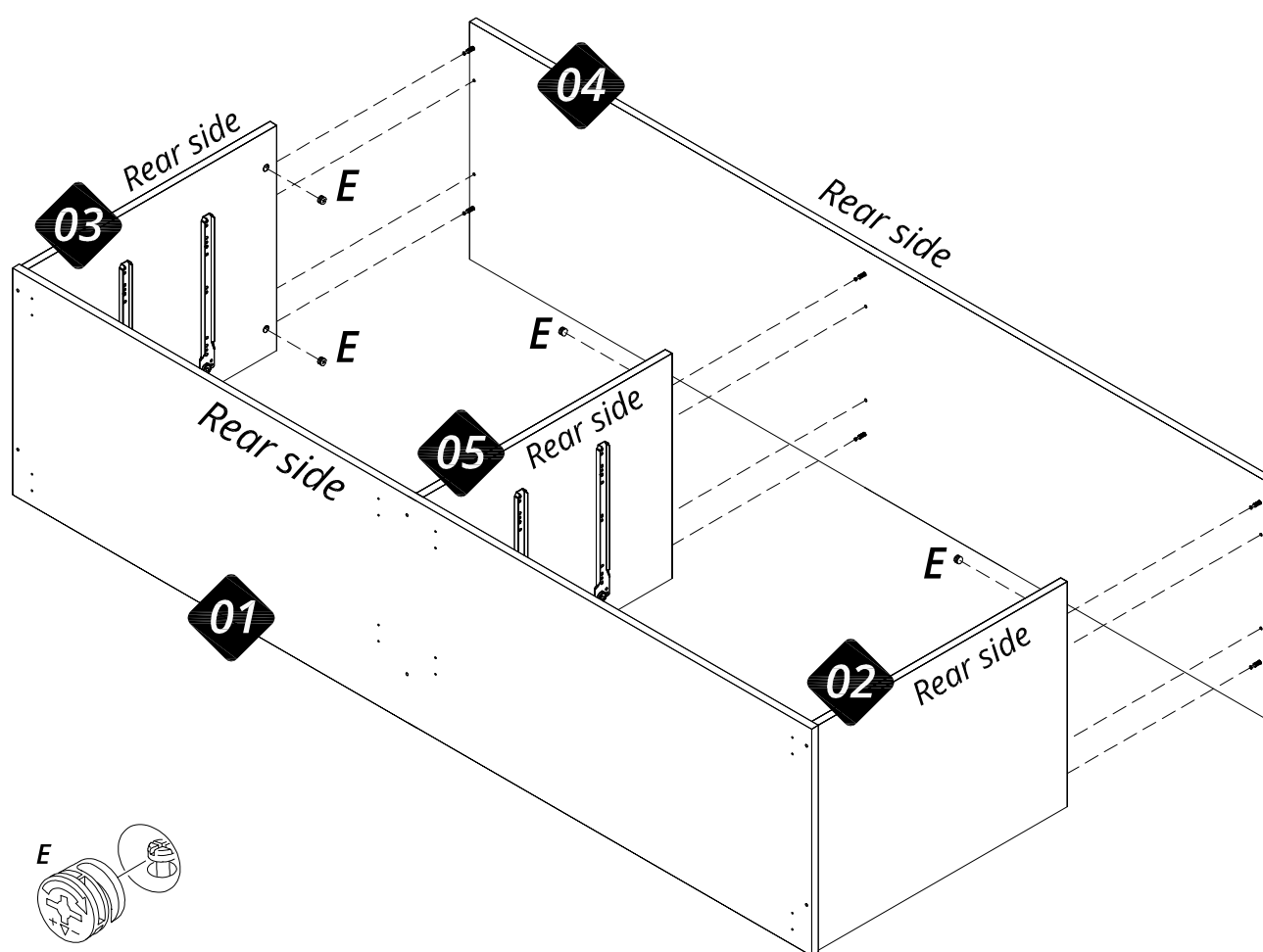
Apply the hardware (D) into the part 04.



Step 05

 $E = 06x$  $L = 06x$

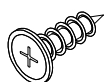
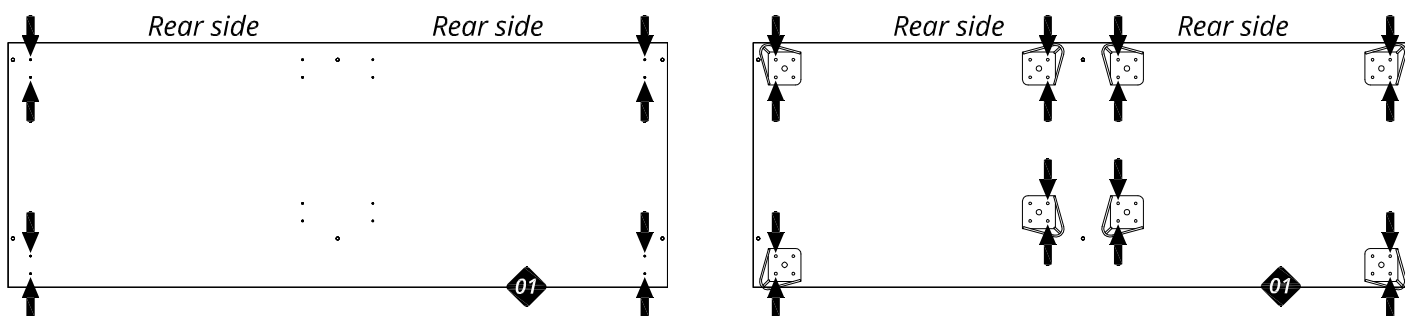
Connect the part 04 onto the parts 02, 03 and 05 with the hardware E.



Apply the hardware (L) onto the hardware (E).

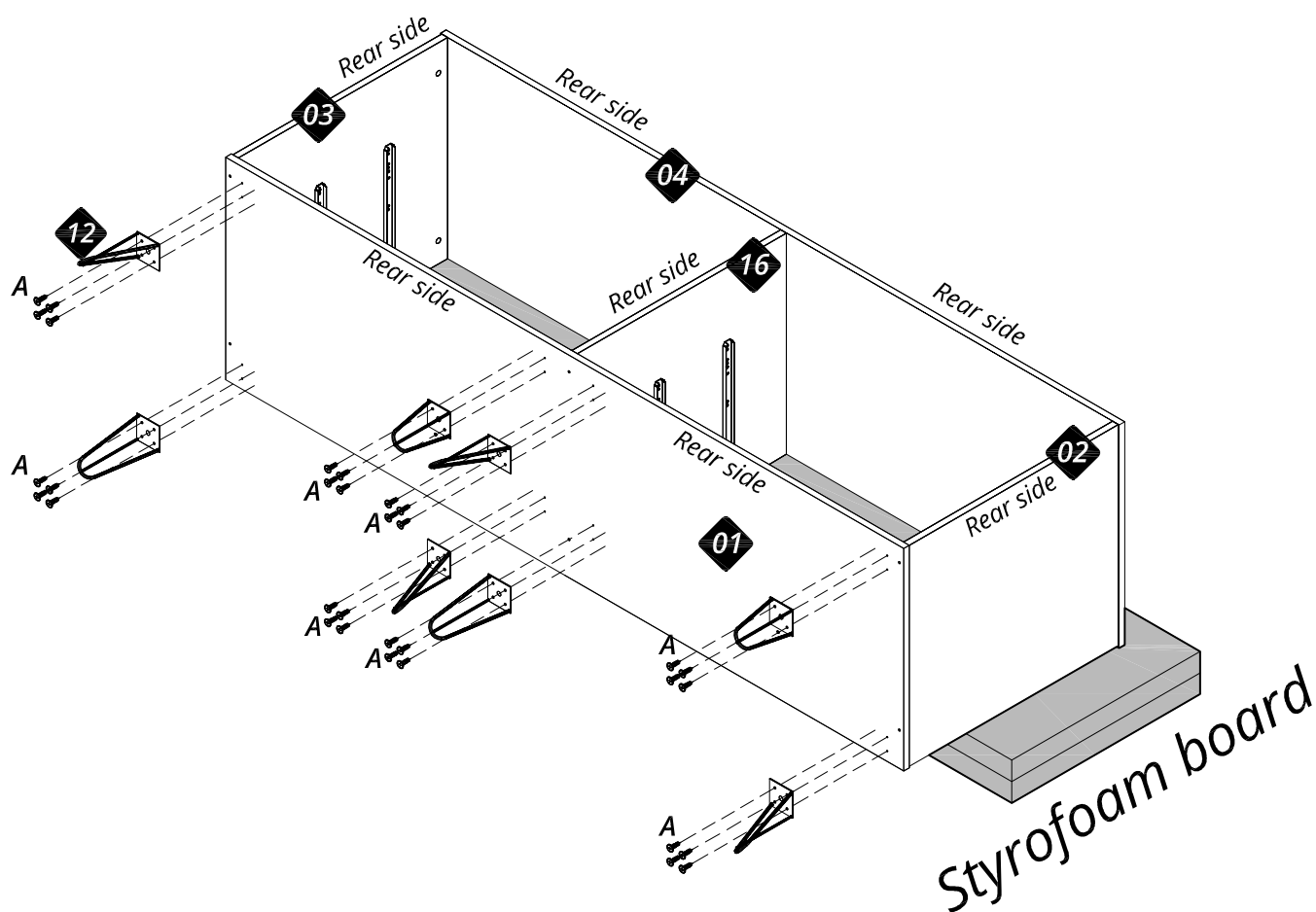
Step 06

Pay attention to the correct position of the feet.
The arrows refers to the correct hole to align the feet.



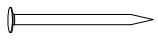
A = 32x

Use some pieces of Styrofoam boards (package part)
to avoid contact of the feet (part 12) with the floor.
Connect the parts 12 onto the part 01 with the hardware (A).



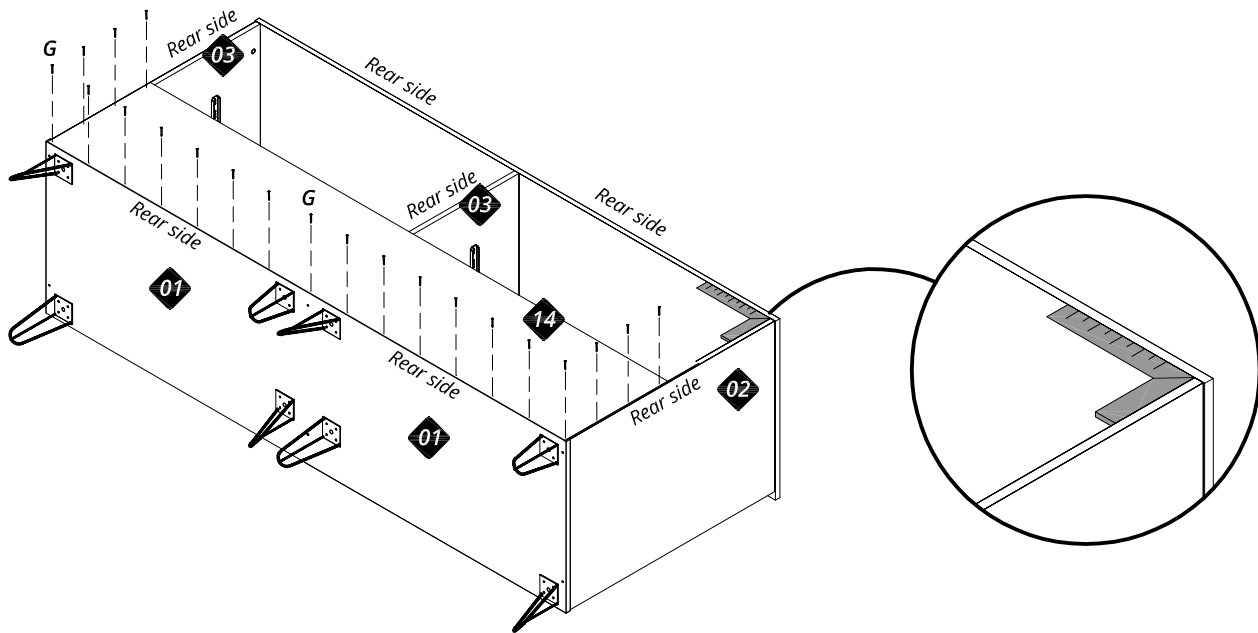
Step 07

Attention, all the parts must be connected on the rear side!



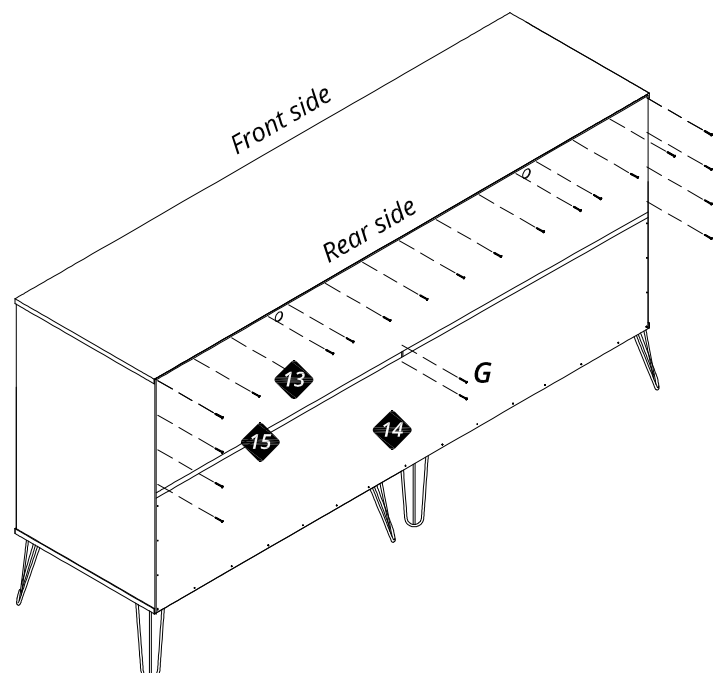
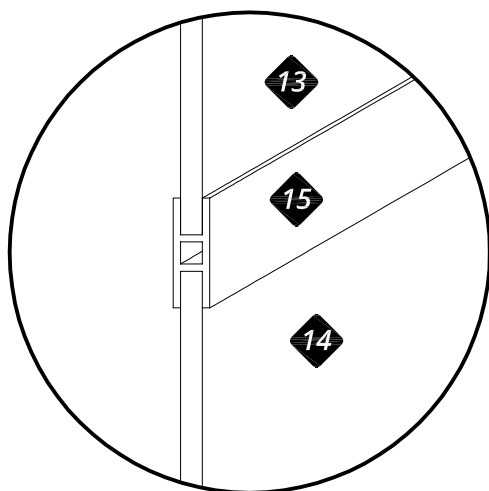
G = 44x

Use a try square to align the dresser before start nailing the part 14 with the hardware (G).



Connect the part 15 onto the part 14, and connect the part 13 into the part 15.
And then, connect the part 13 using the hardware (G).

Attention to the position of the part 13.



Step 08



D = 24x

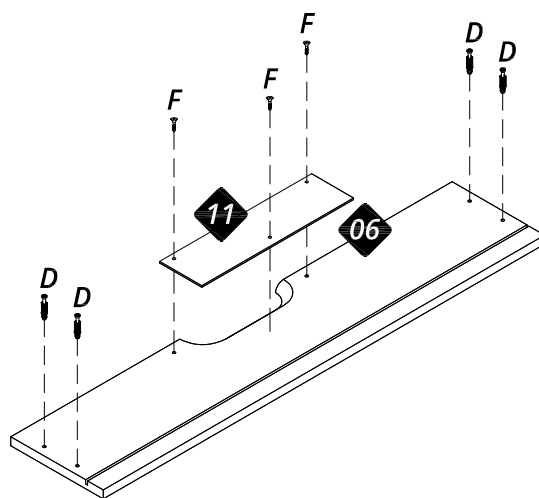
Apply the hardware (D) into the part 06.



F = 18x

Before applying the part 11, observe if your product has the option of matching colors with the front of the drawer (part 06).

Connect the part 11 onto the part 06 with the hardware (F).



Step 09

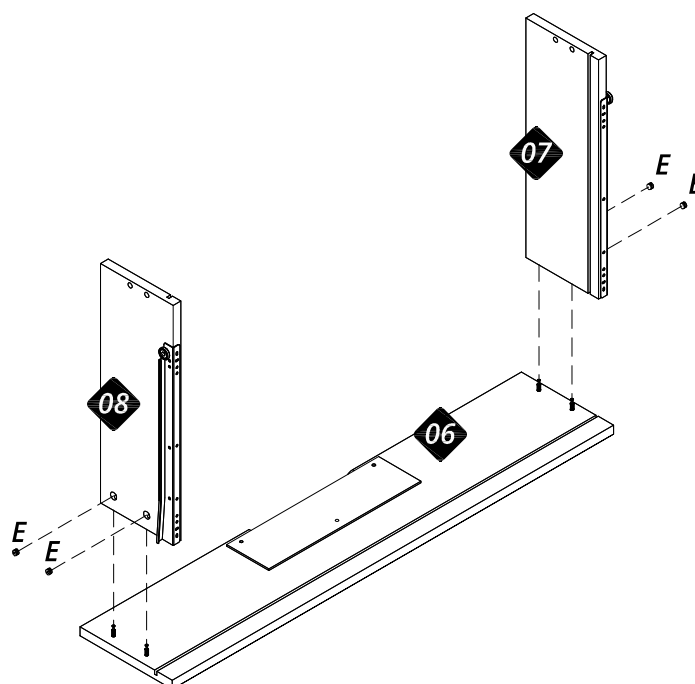
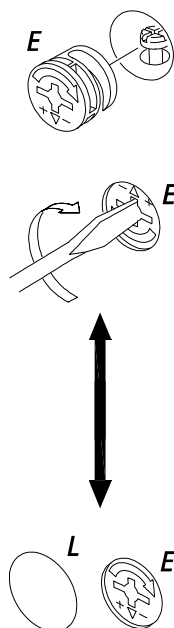


E = 24x

Connect the parts 07, 08 onto the part 06 with the hardware E.



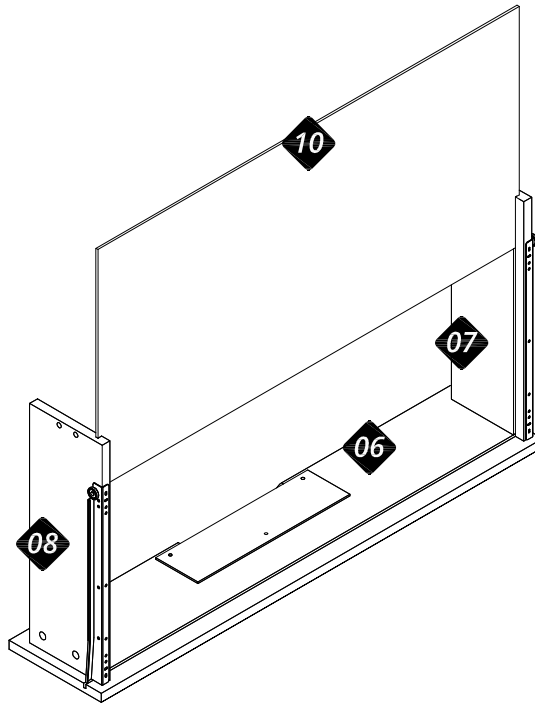
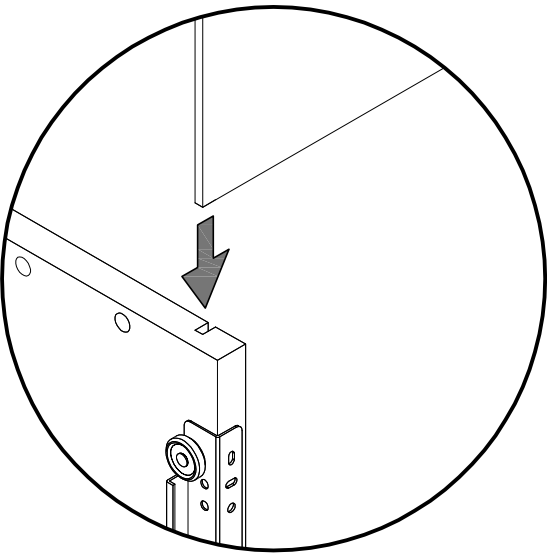
L = 24x



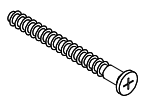
Apply the hardware (L) onto the hardware (E).

Step 10

Apply the part 10 in the groove of the parts 07, 08 until the groove of the part 06.

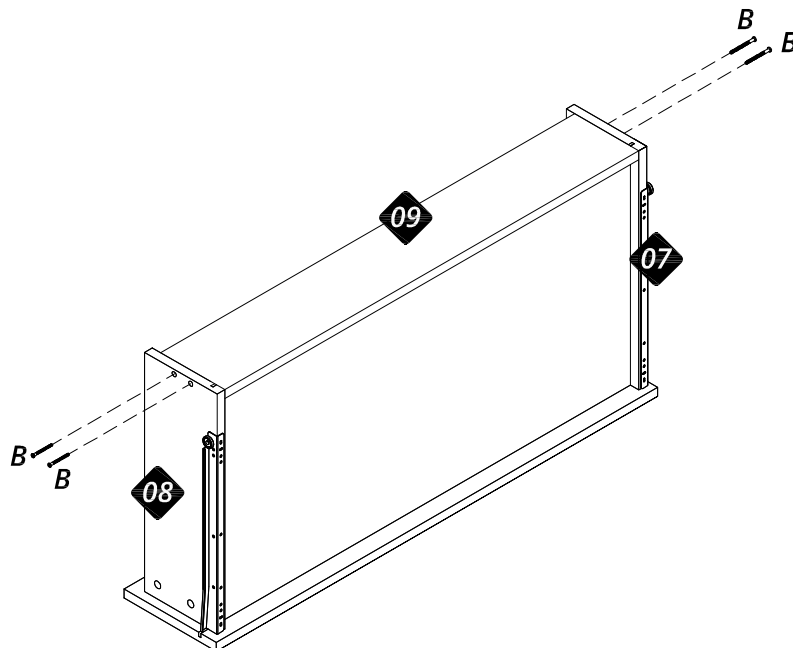


Step 11

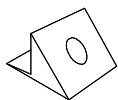


B = 24x

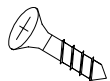
Connect the part 09 onto the parts 07, 08 with the hardware (B).



Step 12

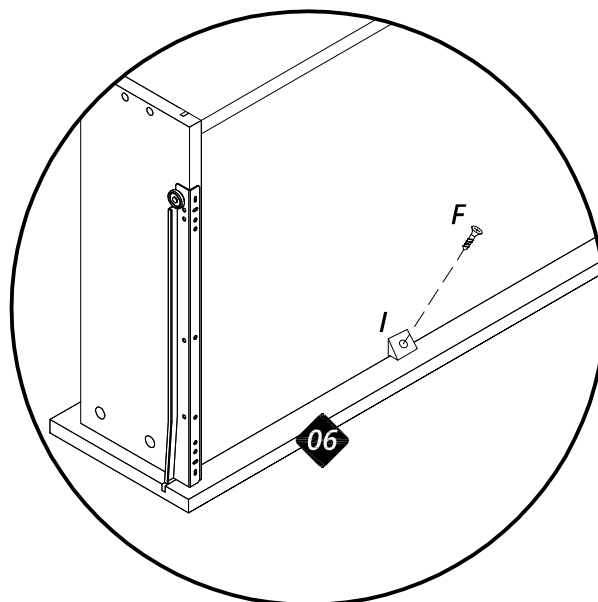
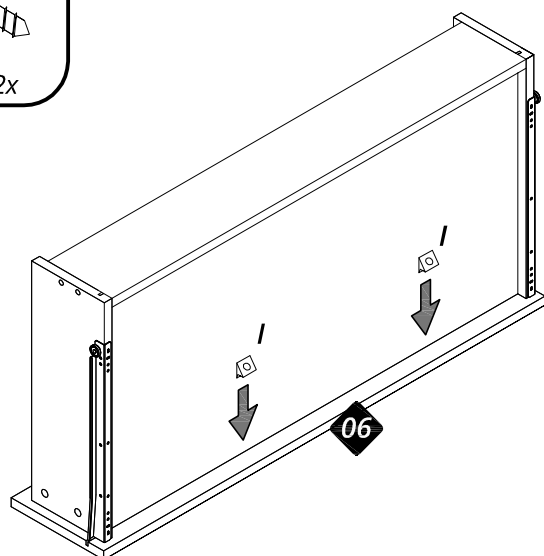


I = 12x

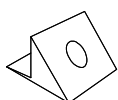


F = 12x

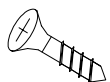
Apply the hardware (I + F) into the groove of the part 06 as shown on detail.



Step 13

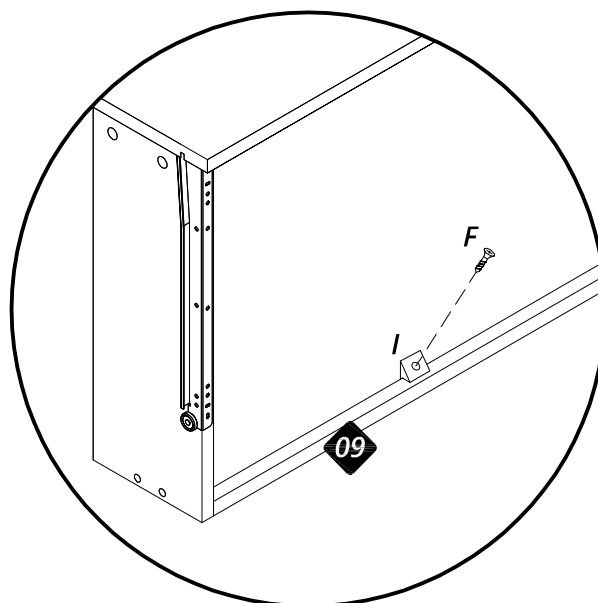
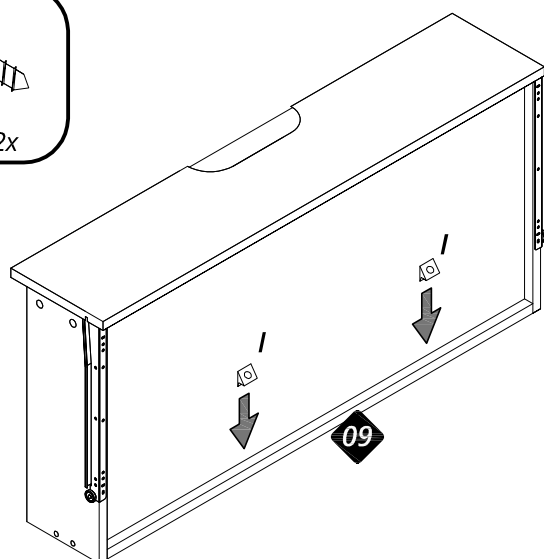


I = 12x



F = 12x

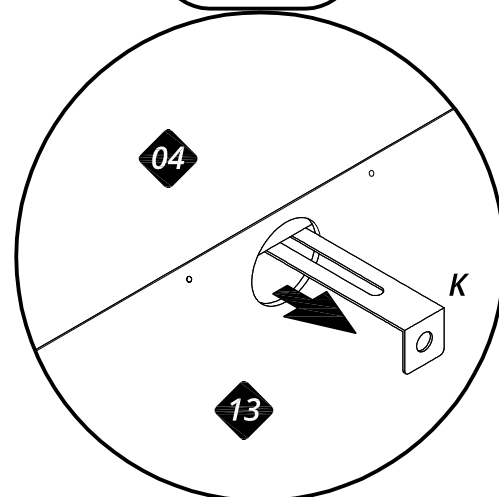
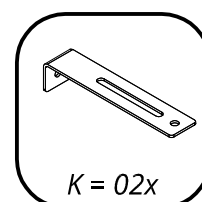
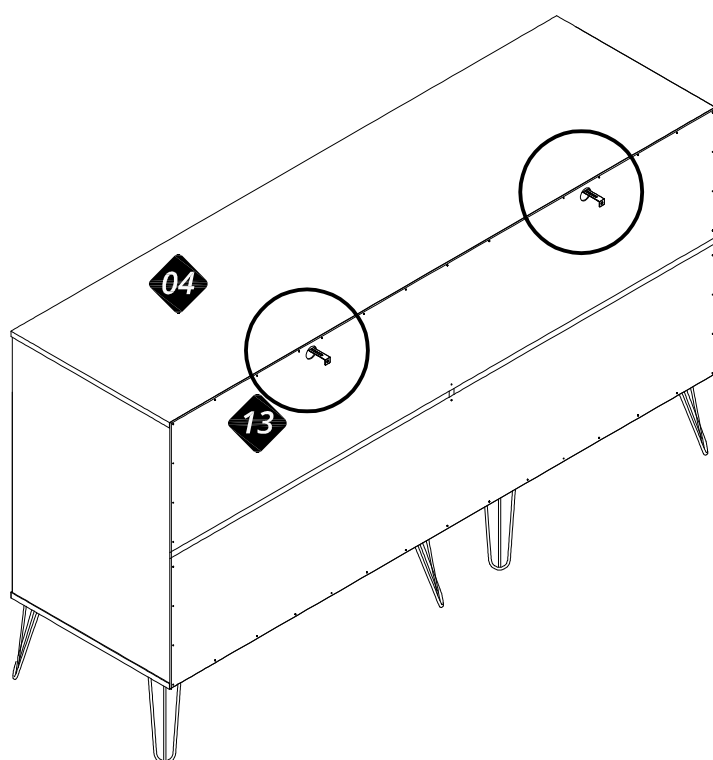
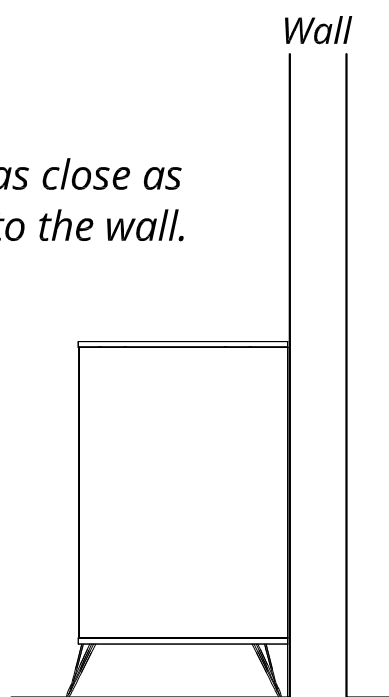
Apply the hardware (I + F) into the groove of the part 09 as shown on detail.



Step 14

Attention! Tipover system.

First, approach the furniture as close as possible to the wall.

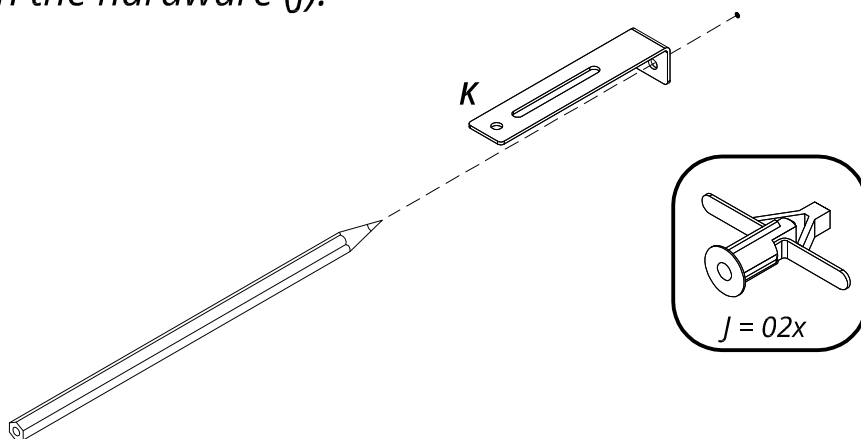


Then, pass the hardware (K) through the hole of the part (13) from inside to the outside as shown in the figure above until it reaches the wall.

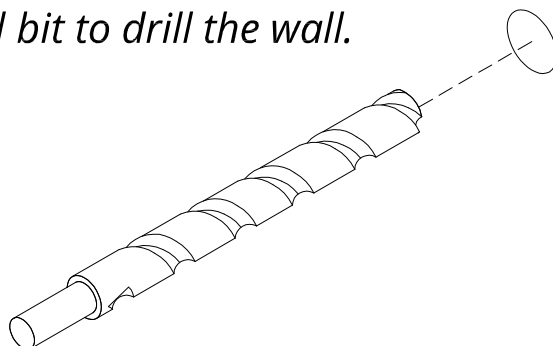
Step 15

Attention! Tipover system.

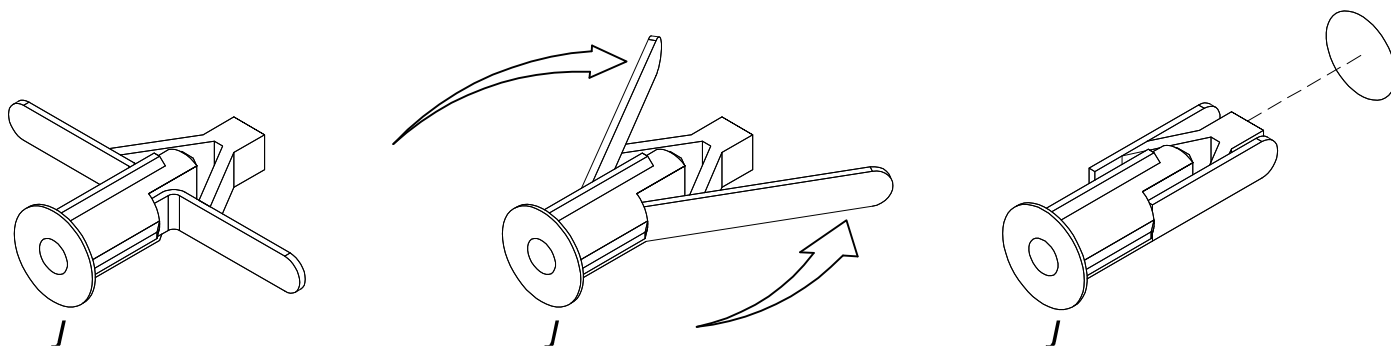
You will need a pencil to mark where you should drill the wall with a 3/8" drill bit to put in the hardware (J).



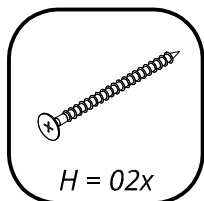
Use the 3/8" drill bit to drill the wall.



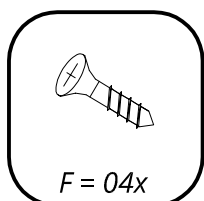
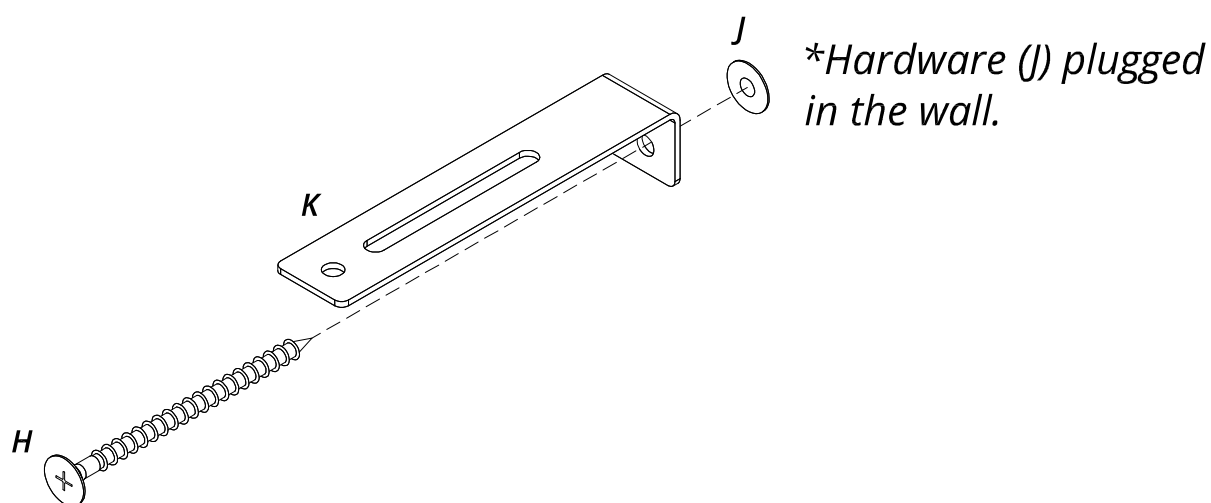
Press the wings of the hardware (J) and put it in to the hole that you drilled on the wall.



Step 16

Attention! Tipover system.

Connect the hardware (K) on the wall, using the hardware (H).



Connect the hardware (K), under the part 04 with the hardware (F).

