



MANHATTAN
COMFORT

888-230-2225

help@manhattancomfort.com

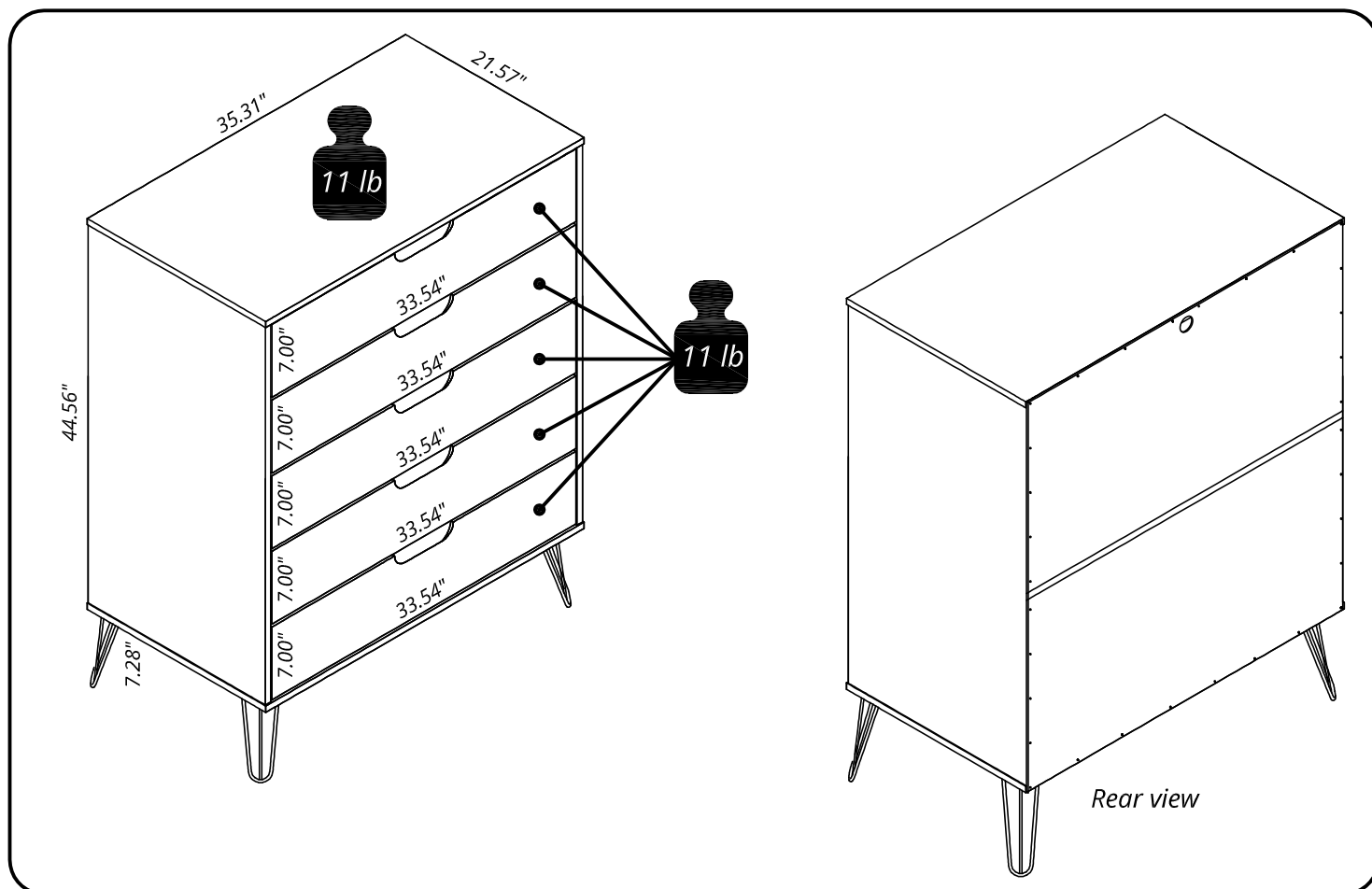
319 Ridge Rd, Dayton, NJ08810, New Jersey - United States



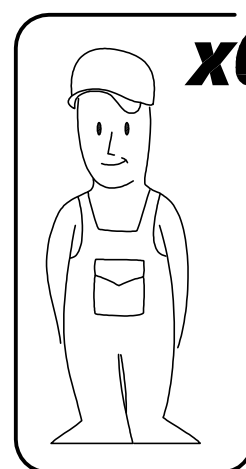
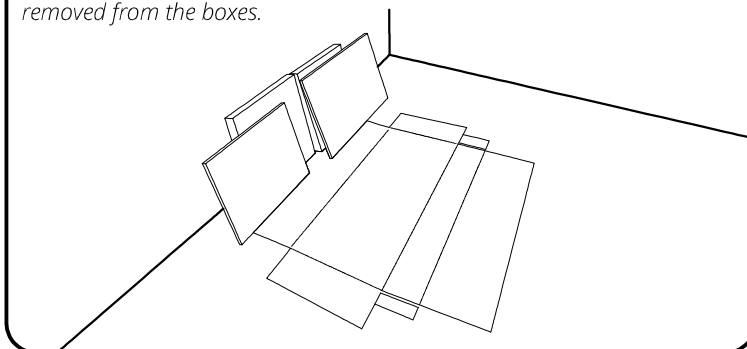
Rockefeller

Tall 5 - Drawer Dresser

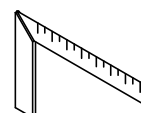
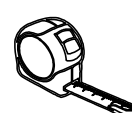
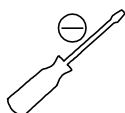
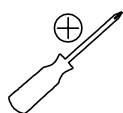
You can access the QR code to watch the assembly video!



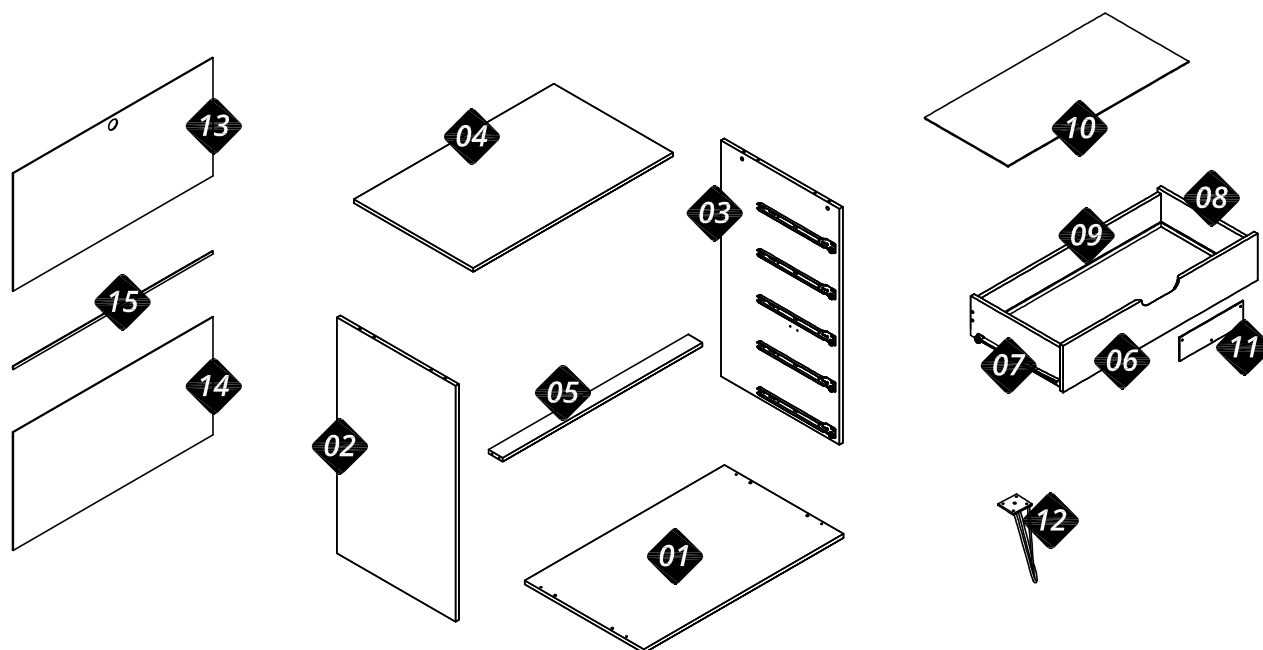
Prepare the room before starting the assembly, leaving it completely clean and the area in good condition to start the work.
Use the cardboard of the packaging to separate and support the parts removed from the boxes.



Recommended tools (not included)

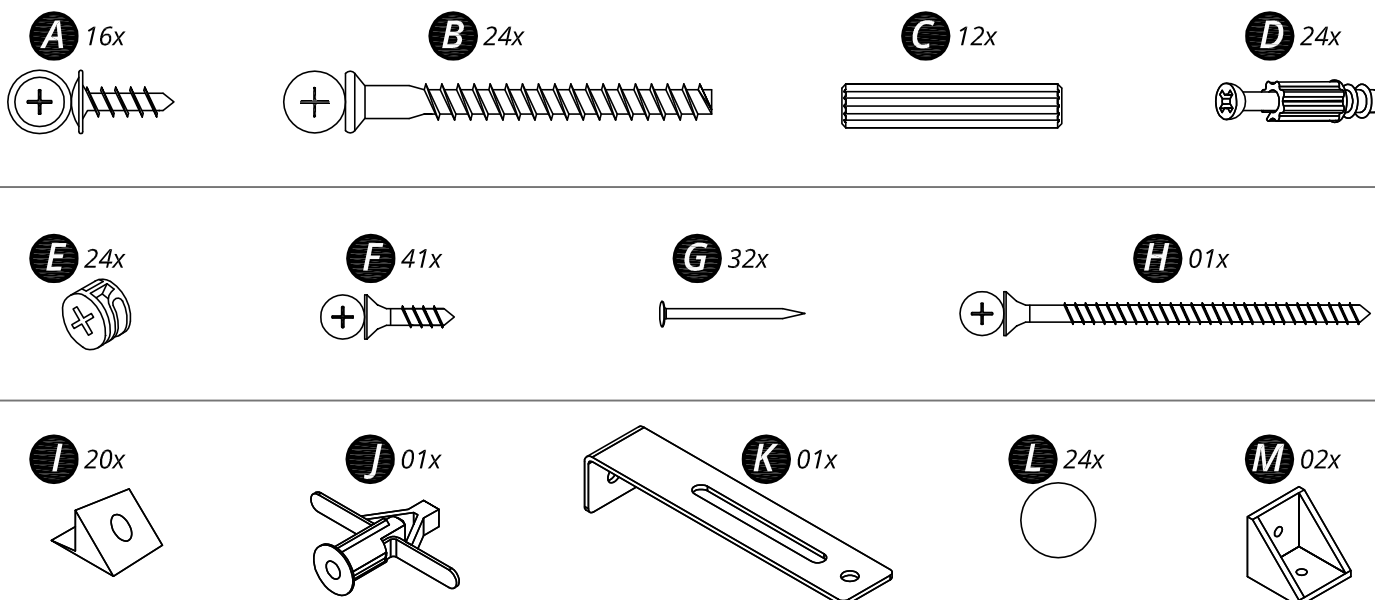


Parts



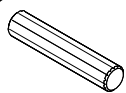
N°	Description	Qty.	Box
01	Base	01	01
02	Left side panel	01	02
03	Right side panel	01	02
04	Top panel	01	01
05	Crossbar	01	01
06	Front of the drawer	05	01
07	Left side panel of the drawer	05	01
08	Right side panel of the drawer	05	02
09	Rear panel of the drawer	05	02
10	Base of the drawer	05	02
11	Decorative apply	05	01
12	Feet	04	01
13	Upper back panel (hole)	01	01
14	Lower back panel	01	01
15	Plastic union profile	01	01

Hardware (box 02)



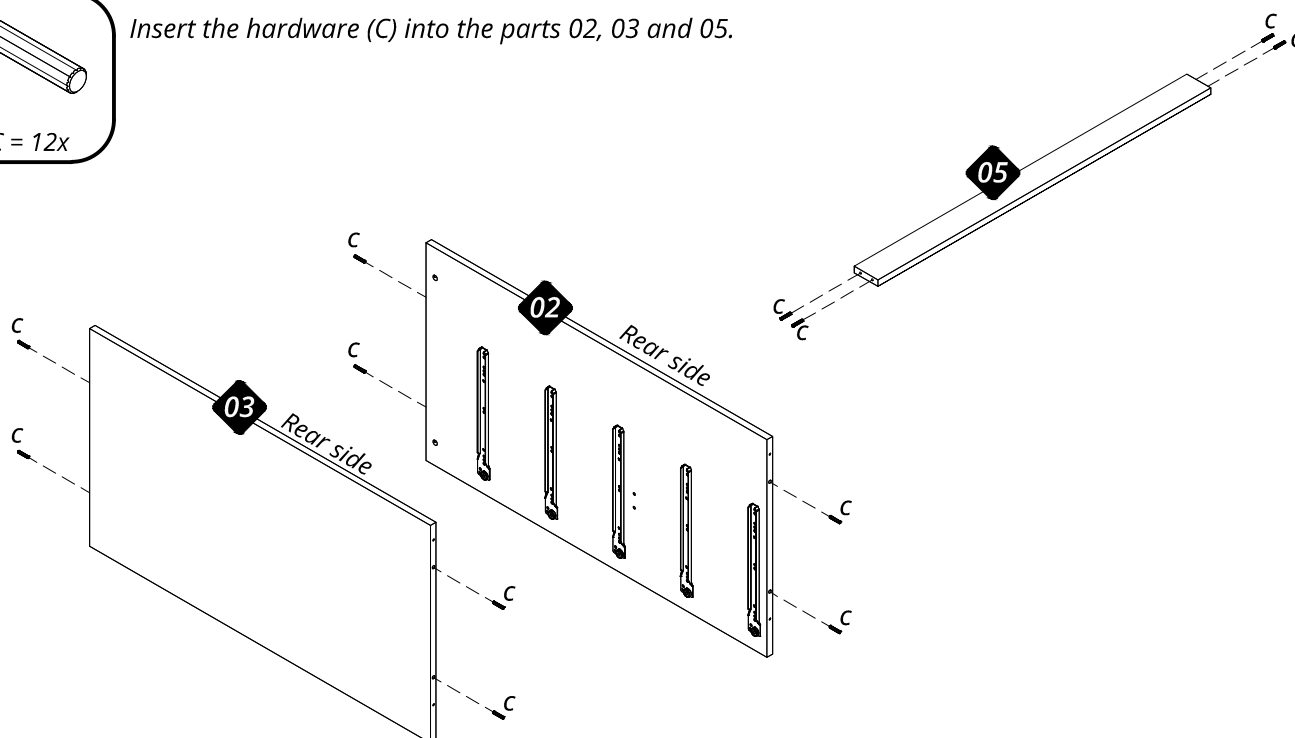
Attention, all the assemblage must be done on the cardboard box or the Styrofoam boards to avoid damage to the parts.

Step 01

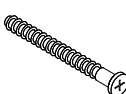


C = 12x

Insert the hardware (C) into the parts 02, 03 and 05.

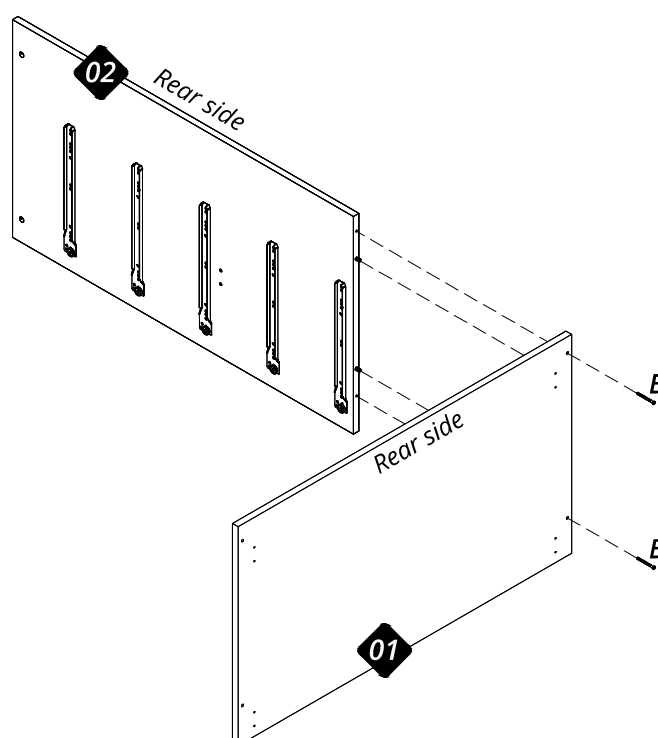


Step 02

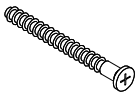


B = 02x

Connect the part 02 onto the part 01 with the hardware (B).

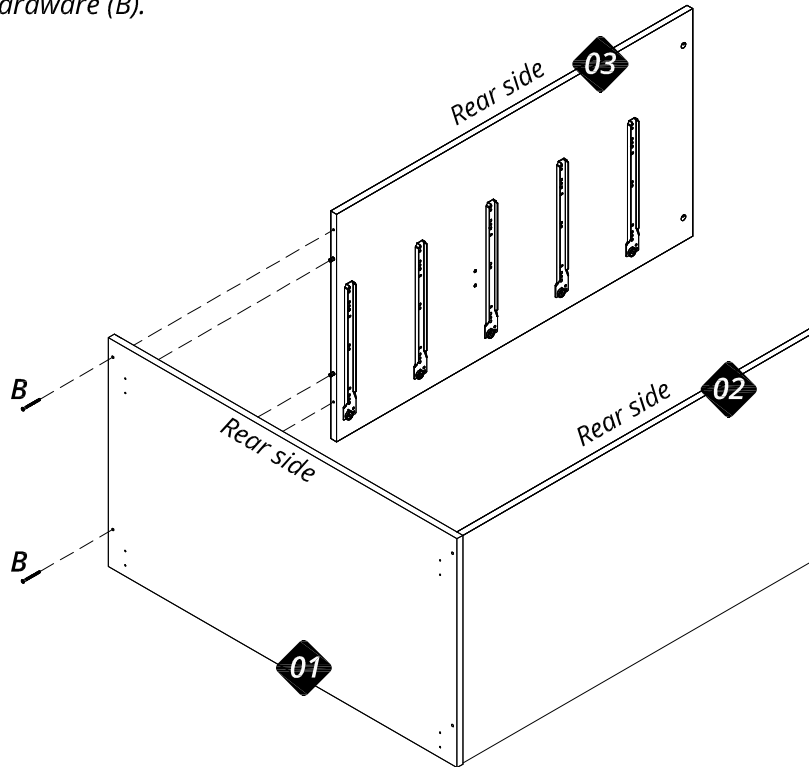


Step 03

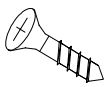


$B = 02x$

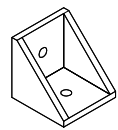
Connect the part 03 onto the part 01 with the hardware (B).



Step 04

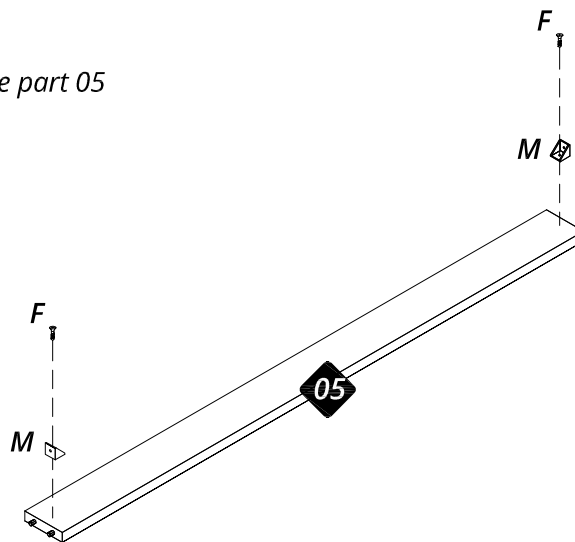
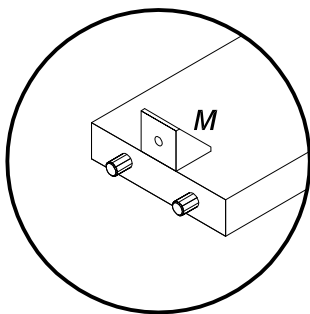


$F = 02x$

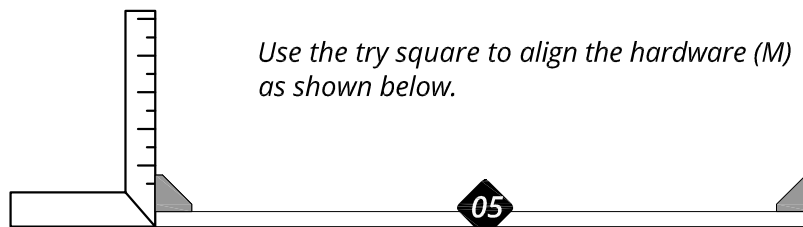


$M = 02x$

Apply the hardware (M) onto the part 05 with the hardware (F).

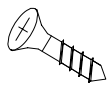
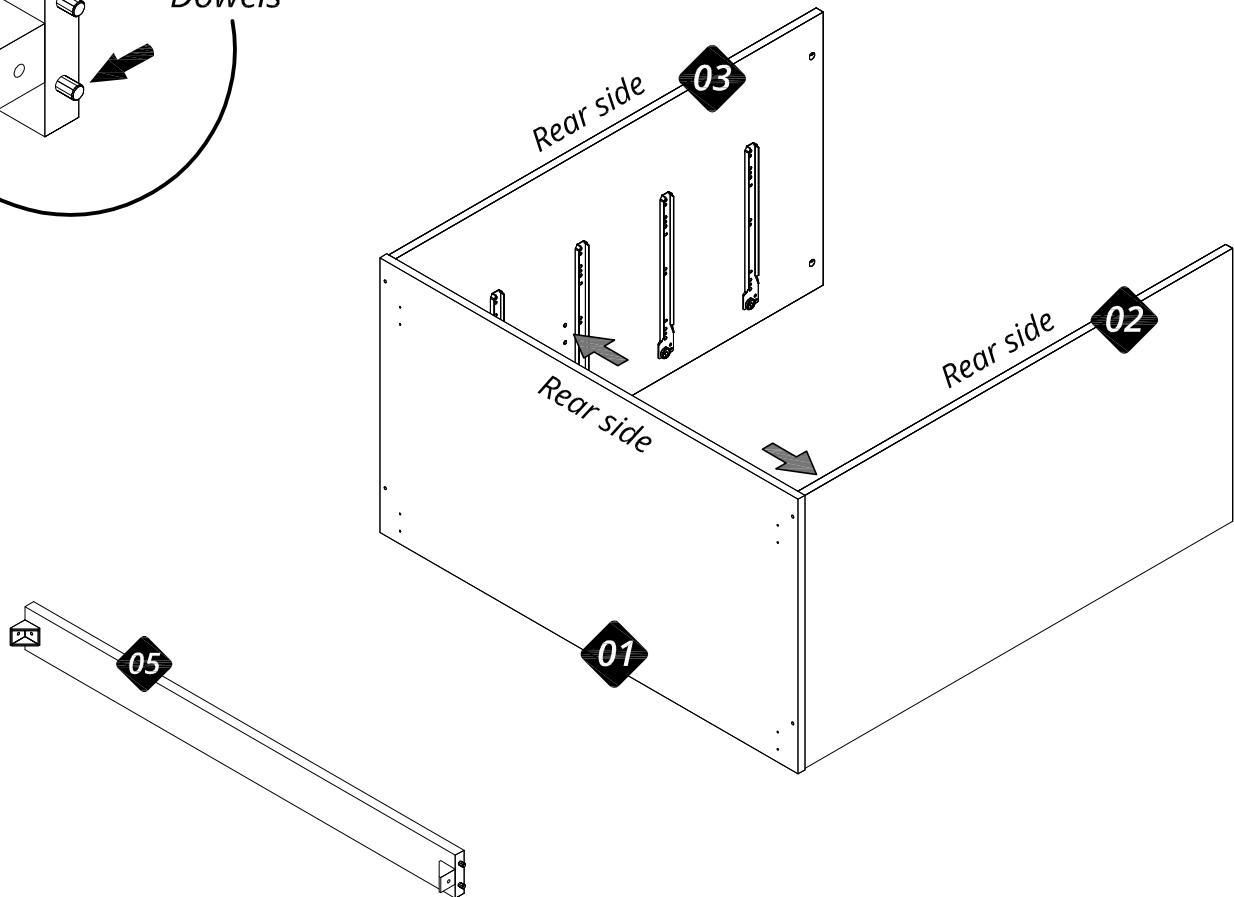
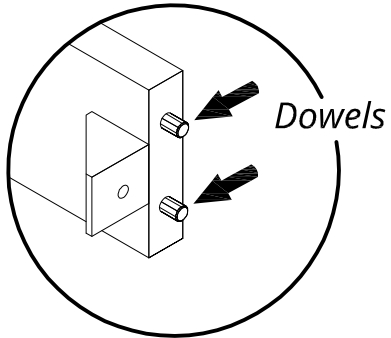


Use the try square to align the hardware (M) as shown below.



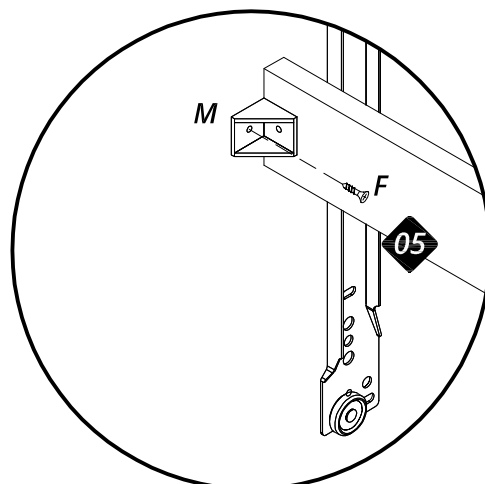
Step 05

Connect the dowels of the part 05 into the holes of the parts 02 and 03.

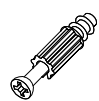


F = 02x

Connect the hardware (M) onto the parts 02 and 03 with the hardware (F).

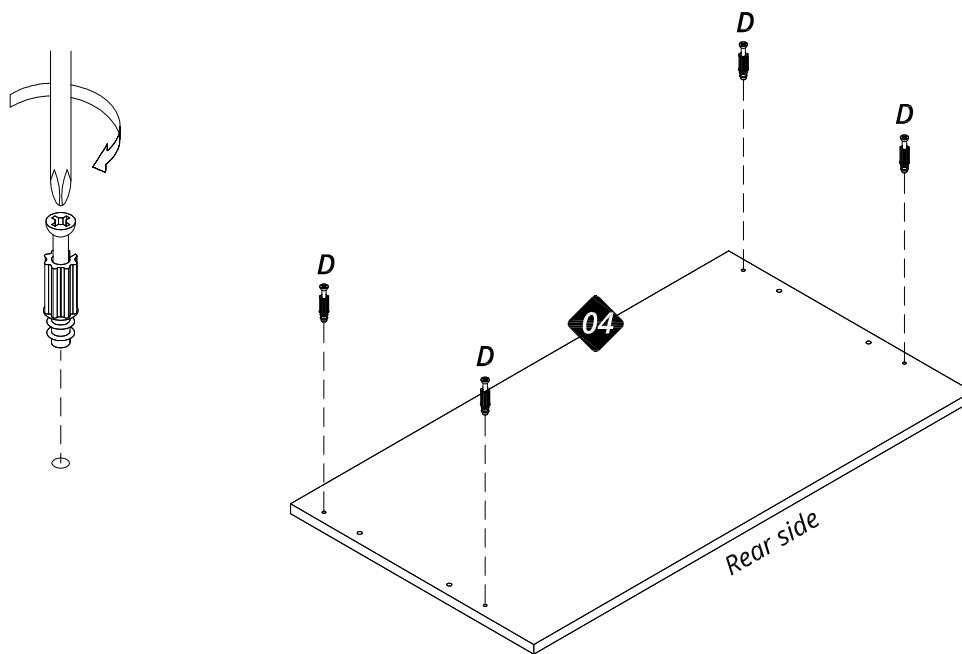


Step 06



D = 04x

Apply the hardware (D) into the part 04.



Step 07

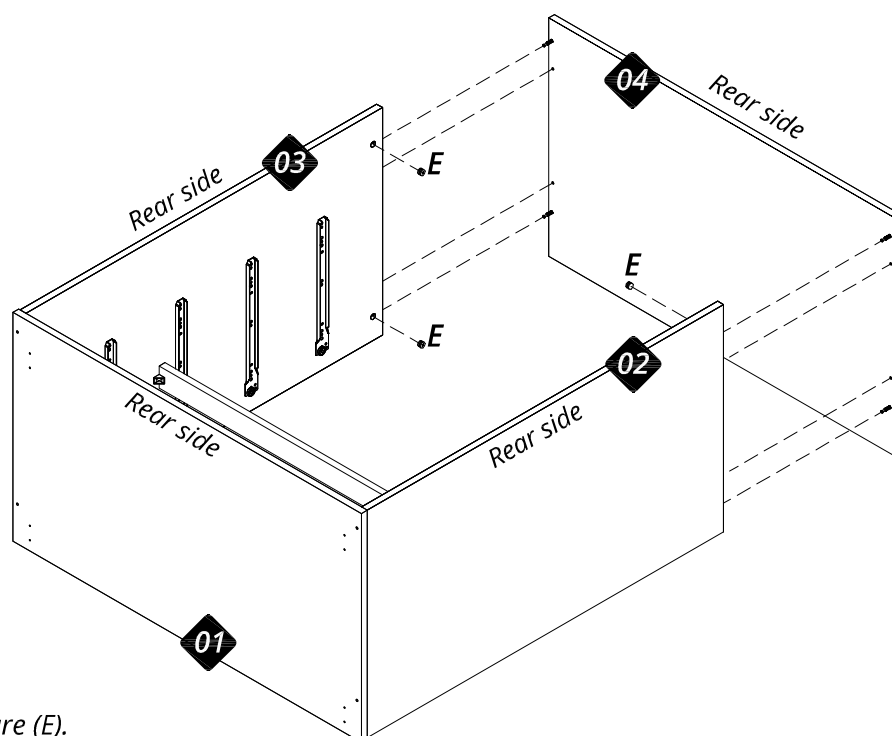
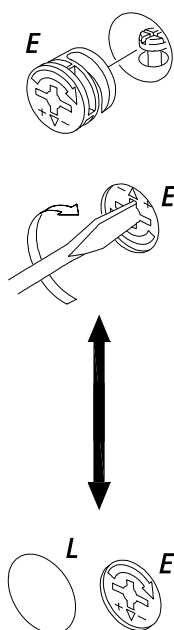


E = 04x



L = 04x

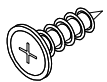
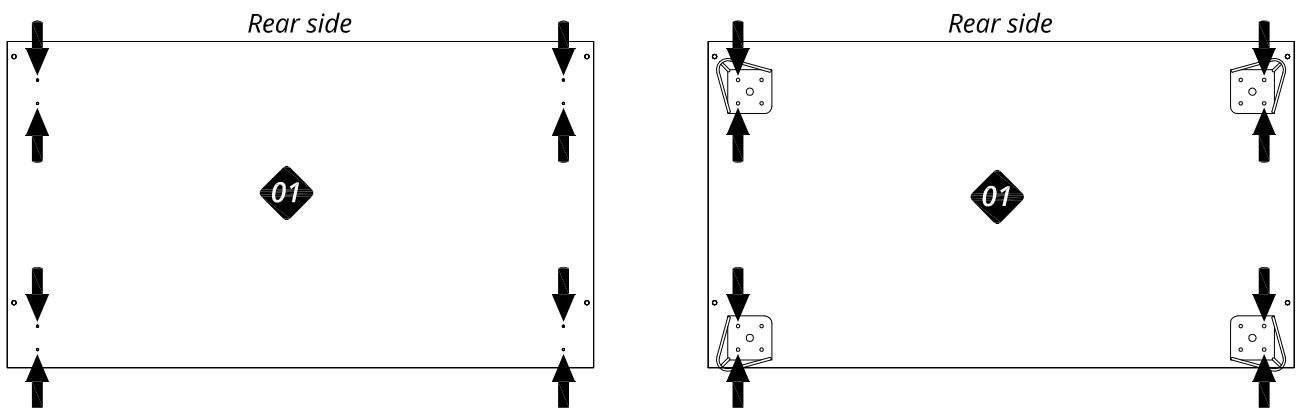
Connect the part 04 onto the parts 02 and 03 with the hardware E.



Apply the hardware (L) onto the hardware (E).

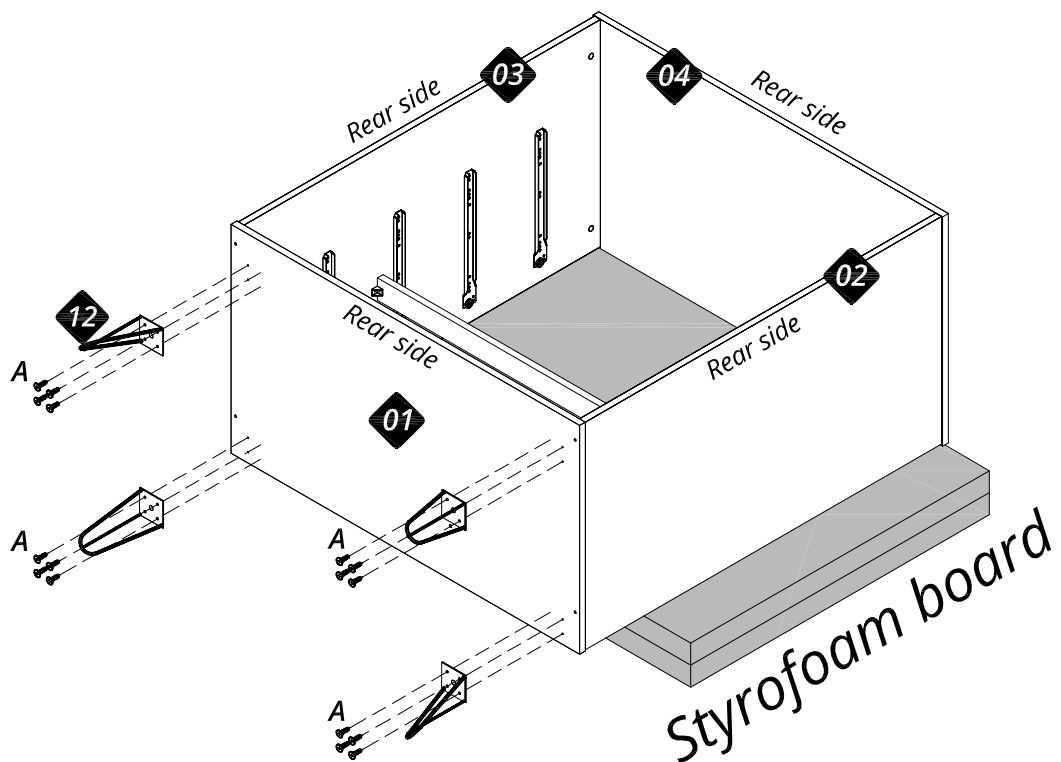
Step 08

Pay attention to the correct position of the feet.
The arrows refers to the correct hole to align the feet.



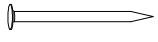
A = 16x

Use some pieces of Styrofoam boards (package part) to avoid contact of the feet (part 12) with the floor.
Connect the parts 12 onto the part 01 with the hardware (A).



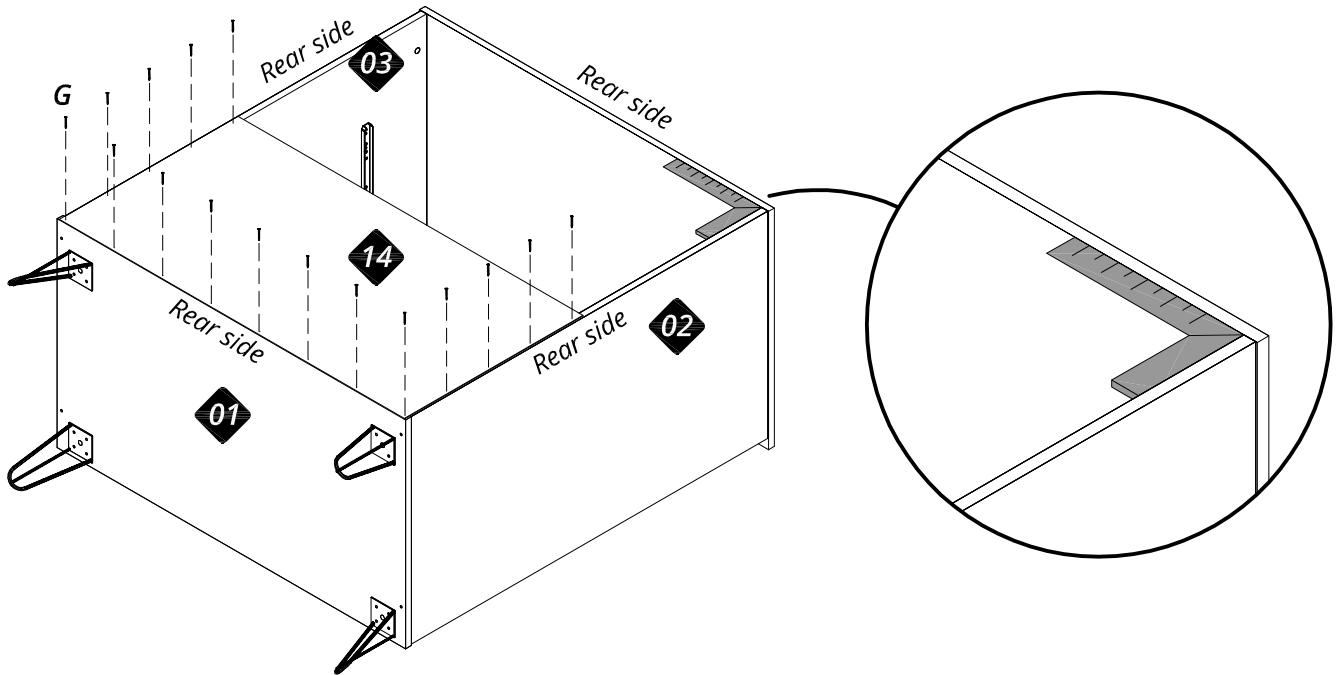
Step 09

Attention, all the parts must be connected on the rear side!



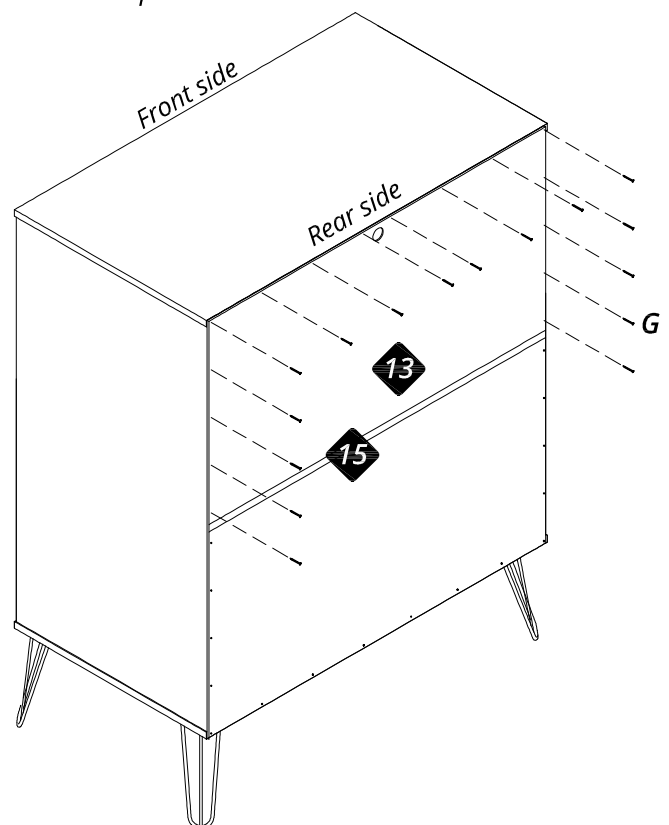
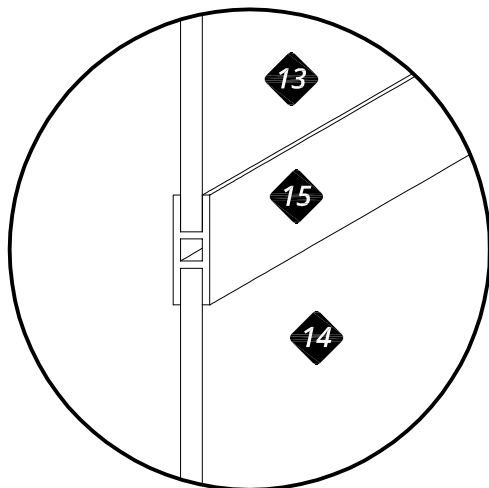
G = 32x

Use a try square to align the dresser before start nailing the part 14 with the hardware (G).



Connect the part 15 onto the part 14, and connect the part 13 into the part 15. And then, connect the part 13 using the hardware (G).

Attention to the position of the part 13.



Step 10



D = 20x

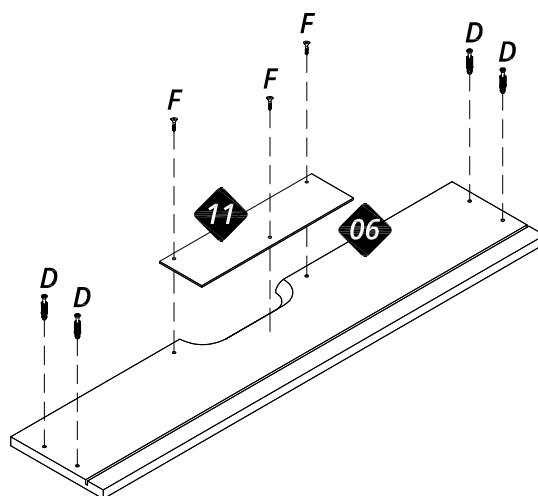
Apply the hardware (D) into the part 06.



F = 15x

Before applying the part 11, observe if your product has the option of matching colors with the front of the drawer (part 06).

Connect the part 11 onto the part 06 with the hardware (F).



Step 11

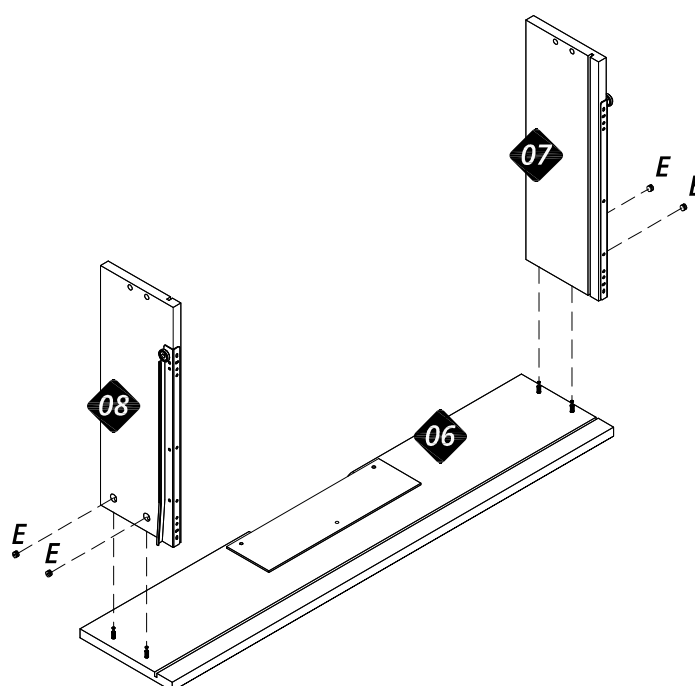
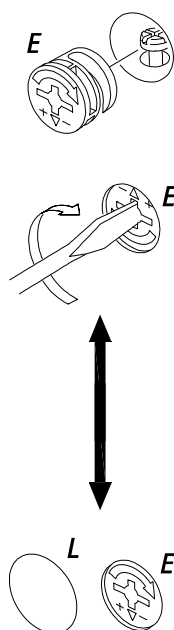


E = 20x

Connect the parts 07, 08 onto the part 06 with the hardware E.



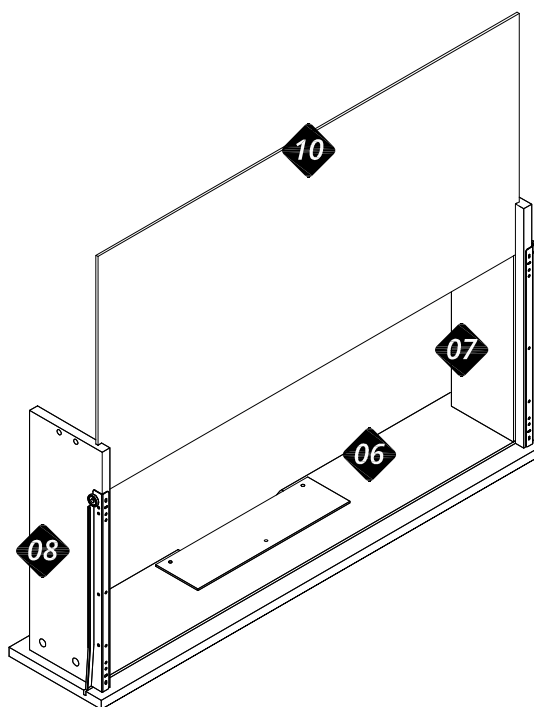
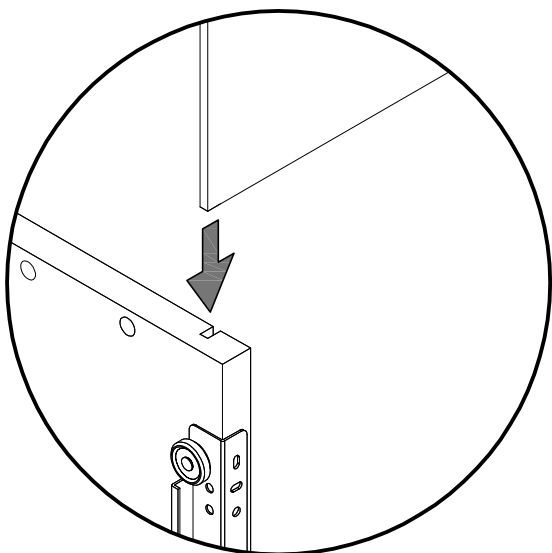
L = 20x



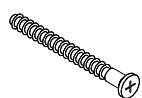
Apply the hardware (L) onto the hardware (E).

Step 12

Apply the part 10 in the groove of the parts 07, 08 until the groove of the part 06.

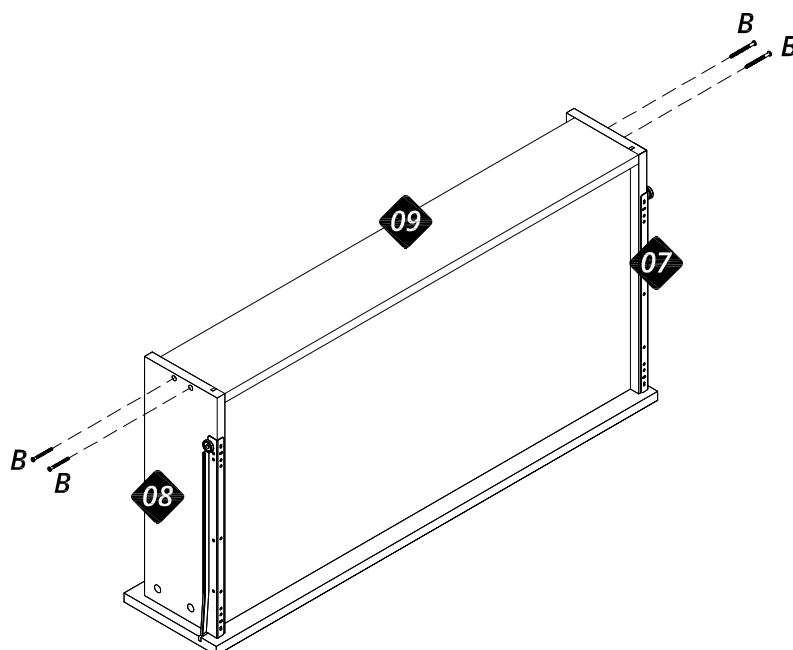


Step 13

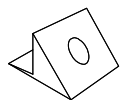


B = 20x

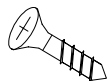
Connect the part 09 onto the parts 07, 08 with the hardware (B).



Step 14

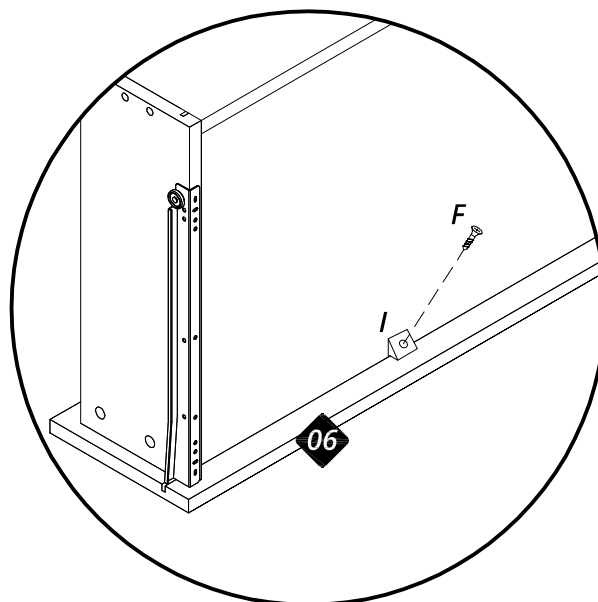
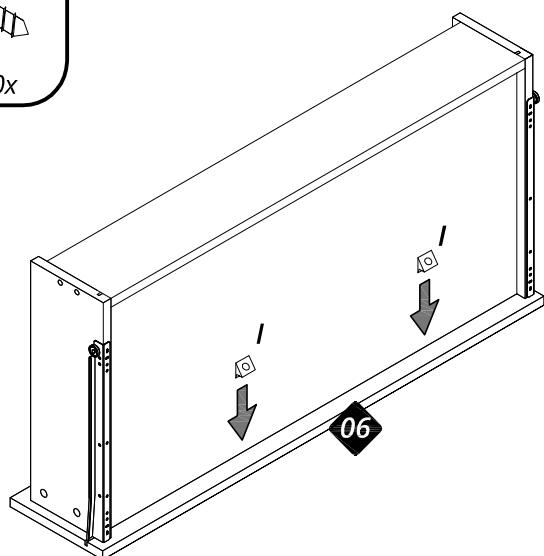


I = 10x

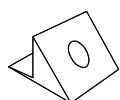


F = 10x

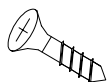
Apply the hardware (I + F) into the groove of the part 06 as shown on detail.



Step 15

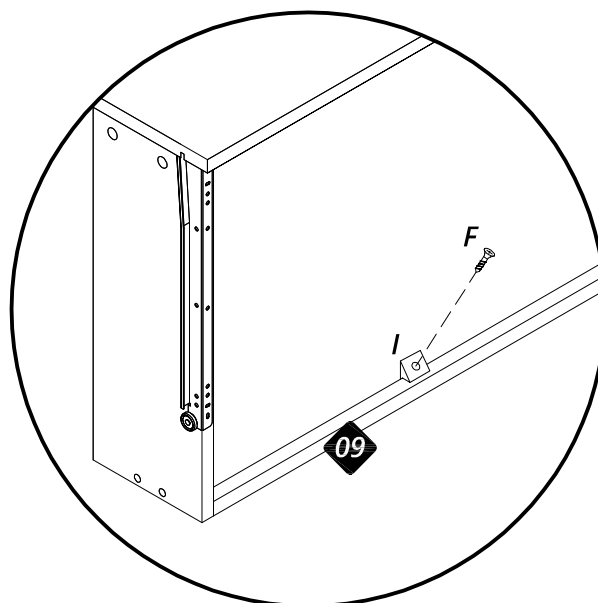
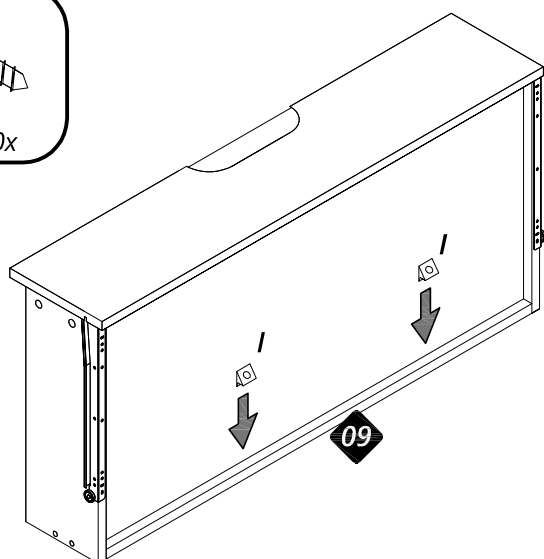


I = 10x



F = 10x

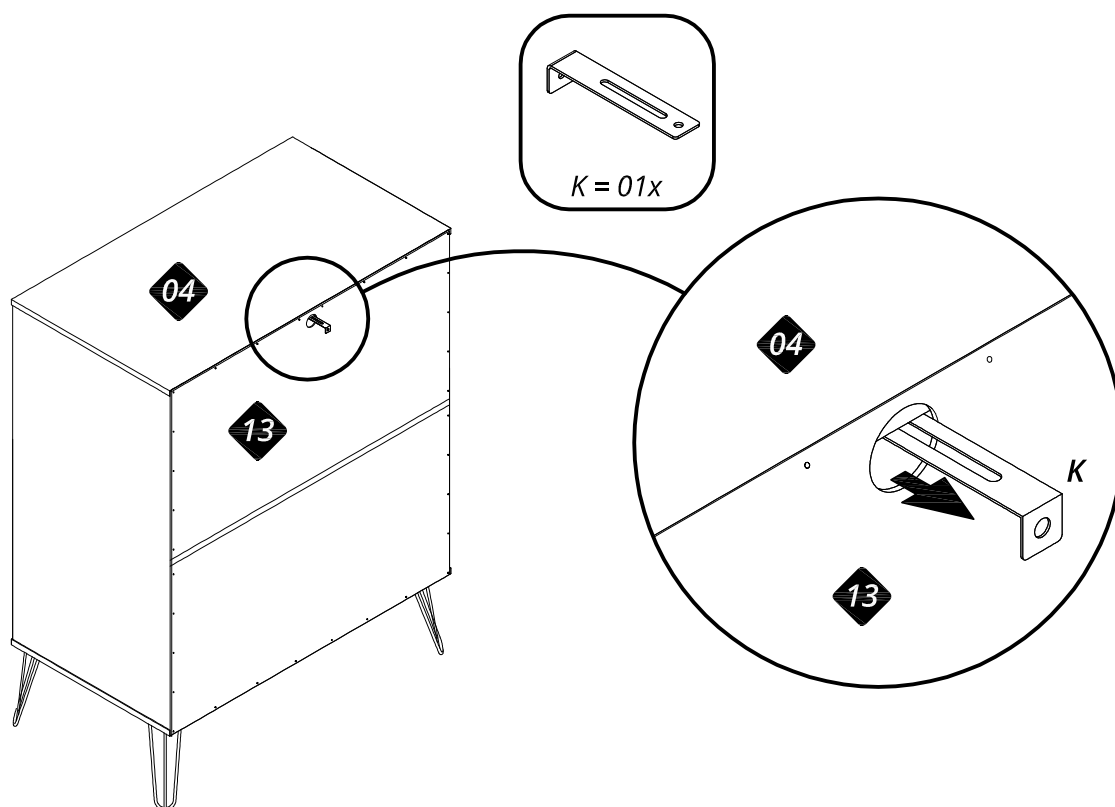
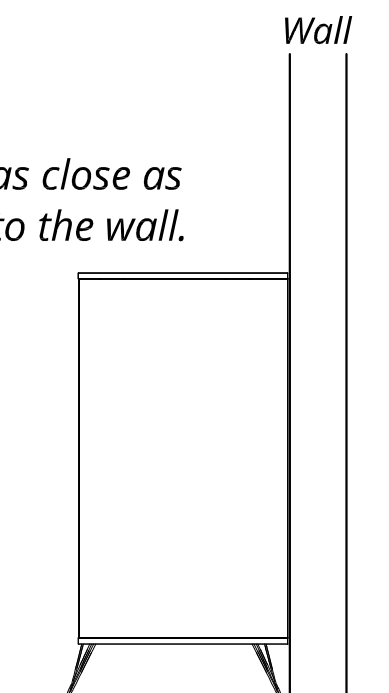
Apply the hardware (I + F) into the groove of the part 09 as shown on detail.



Step 16

Attention! Tipover system.

First, approach the furniture as close as possible to the wall.

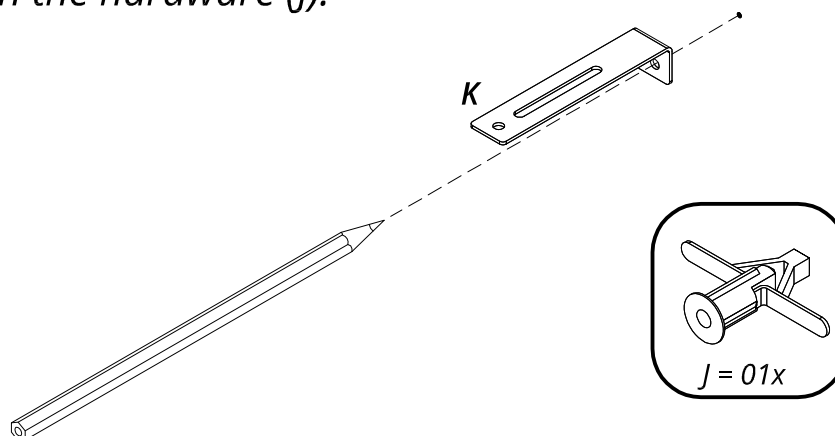


Then, pass the hardware (K) through the hole of the part (13) from inside to the outside as shown in the figure above until it reaches the wall.

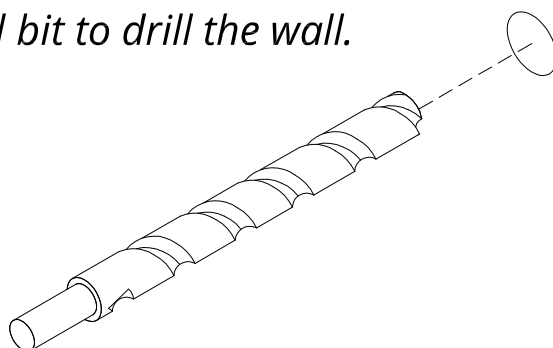
Step 17

Attention! Tipover system.

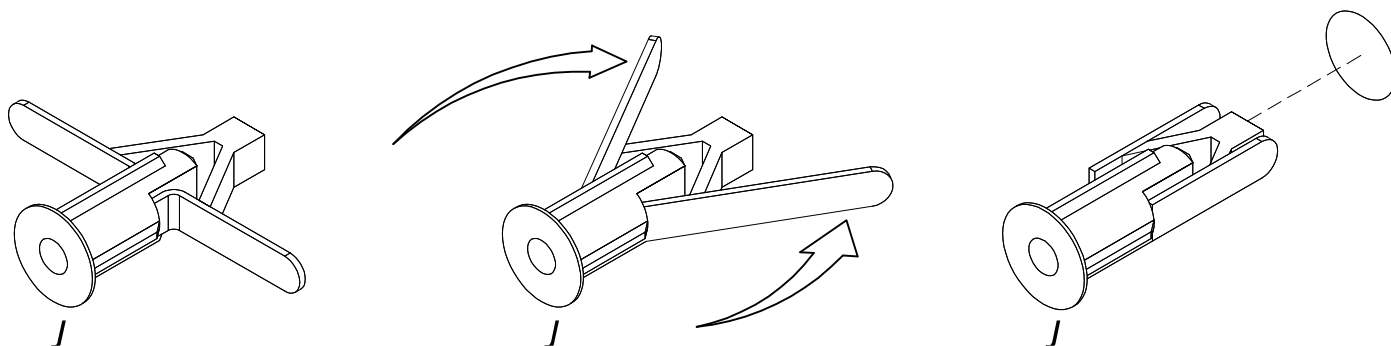
You will need a pencil to mark where you should drill the wall with a 3/8" drill bit to put in the hardware (J).



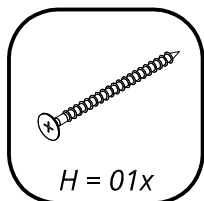
Use the 3/8" drill bit to drill the wall.



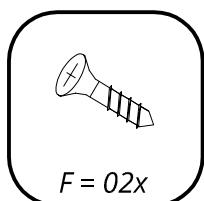
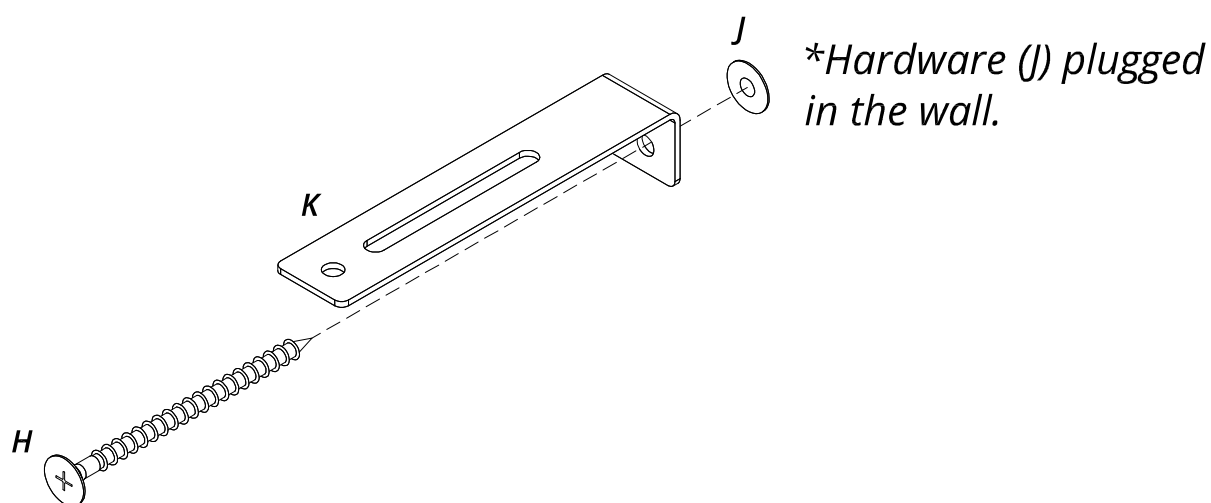
Press the wings of the hardware (J) and put it in to the hole that you drilled on the wall.



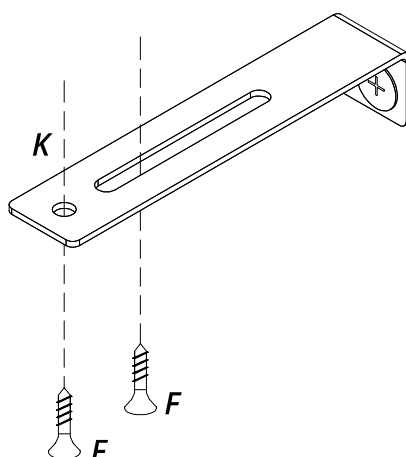
Step 18

Attention! Tipover system.

Connect the hardware (K) on the wall, using the hardware (H).



Connect the hardware (K), under the part 04 with the hardware (F).



Step 19

Install the drawers fitting them into the slides fixed on the parts 02 and 03.

