



MANHATTAN
COMFORT

888-230-2225

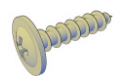
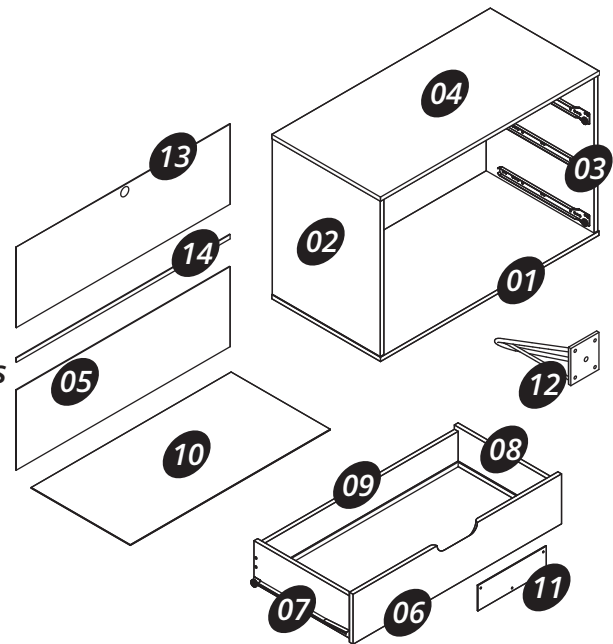
help@manhattancomfort.com



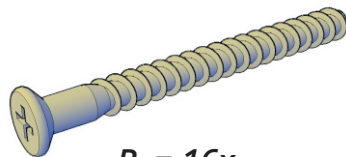
Rockefeller
dresser

Included in the package

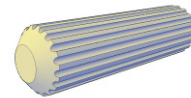
- 01 - Base = 01 piece
- 02 - Left side panel = 01 piece
- 03 - Right side panel = 01 piece
- 04 - Top panel = 01 piece
- 05 - Lower back panel = 01 piece
- 06 - Front of the drawer = 03 pieces
- 07 - Left side panel of the drawer = 03 pieces
- 08 - Right side panel of the drawer = 03 pieces
- 09 - Rear panel of the drawer = 03 pieces
- 10 - Base of the drawer = 03 pieces
- 11 - Decorative apply = 03 pieces
- 12 - Feet = 04 pieces
- 13 - Upper back panel (hole) = 01 piece
- 14 - Plastic union profile = 01 piece



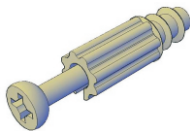
A = 16x



B = 16x



C = 08x



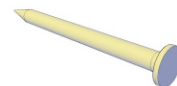
D = 16x



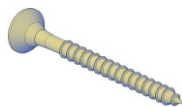
E = 16x



F = 23x



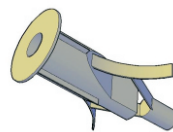
G = 28x



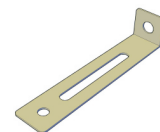
H = 01x



I = 12x



J = 01x



K = 01x



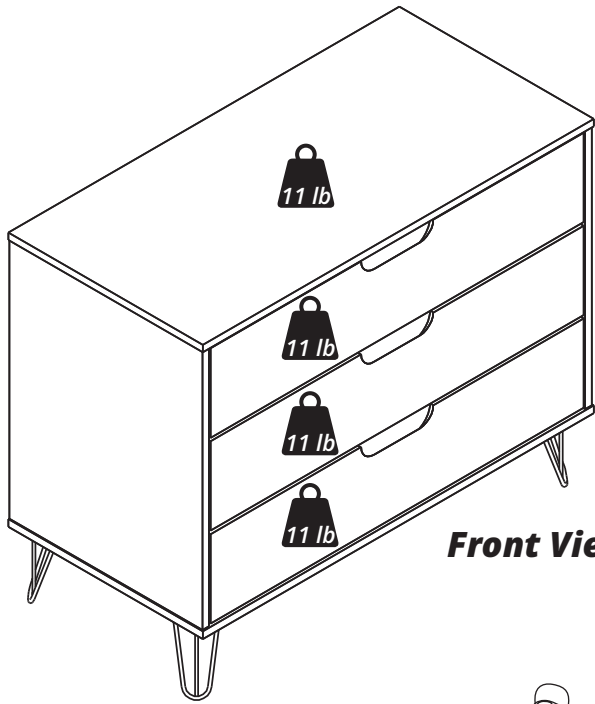
L = 16x

**Tools needed
(not included)**

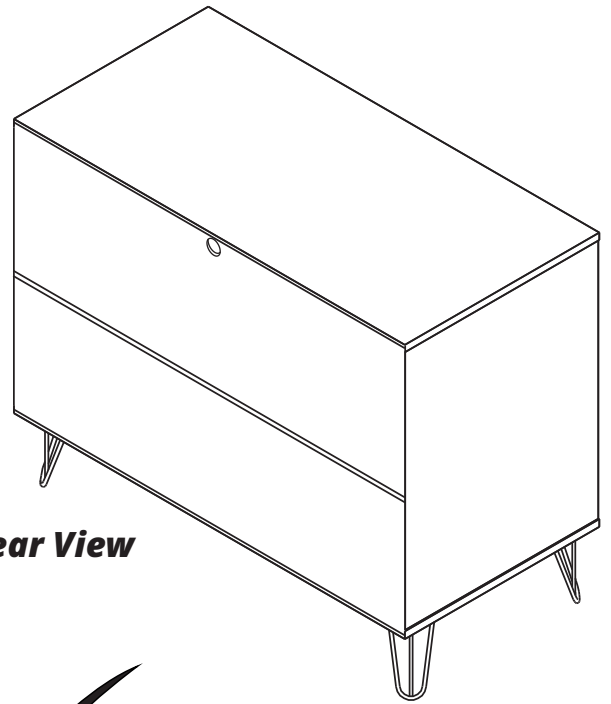


Phillips screw driver

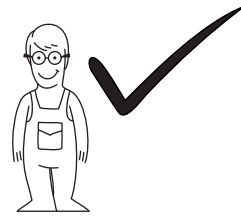
Screw driver



Front View

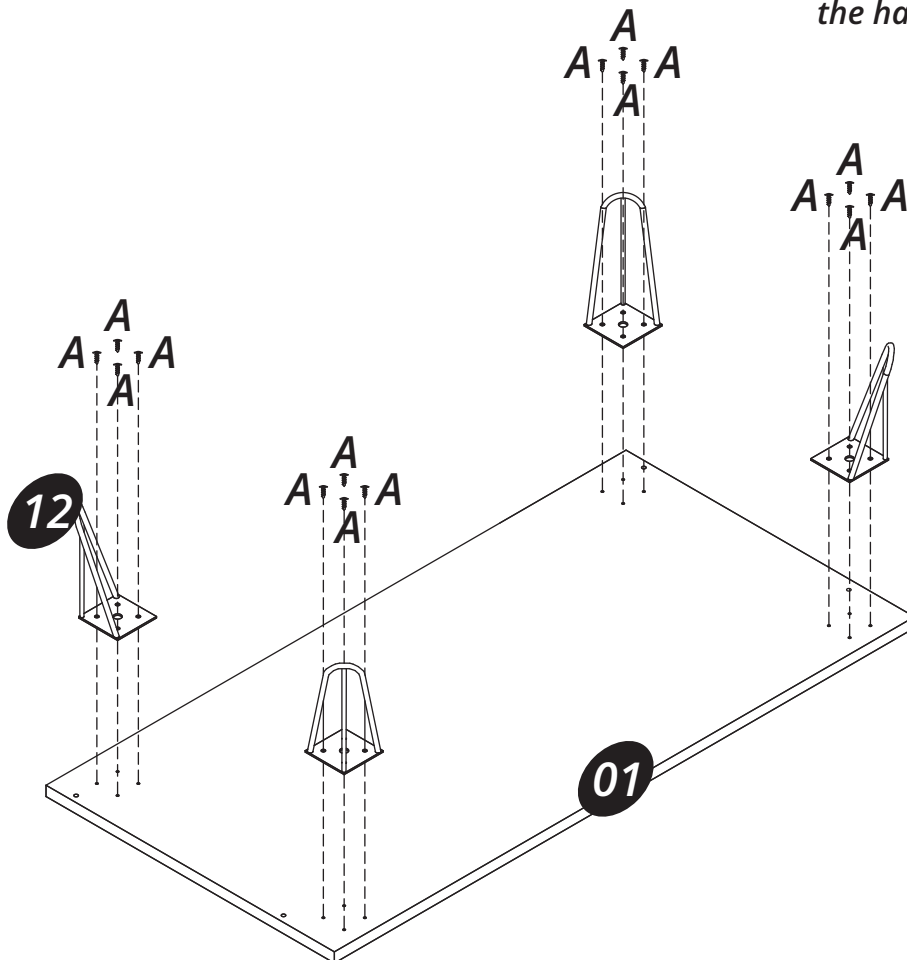


Rear View



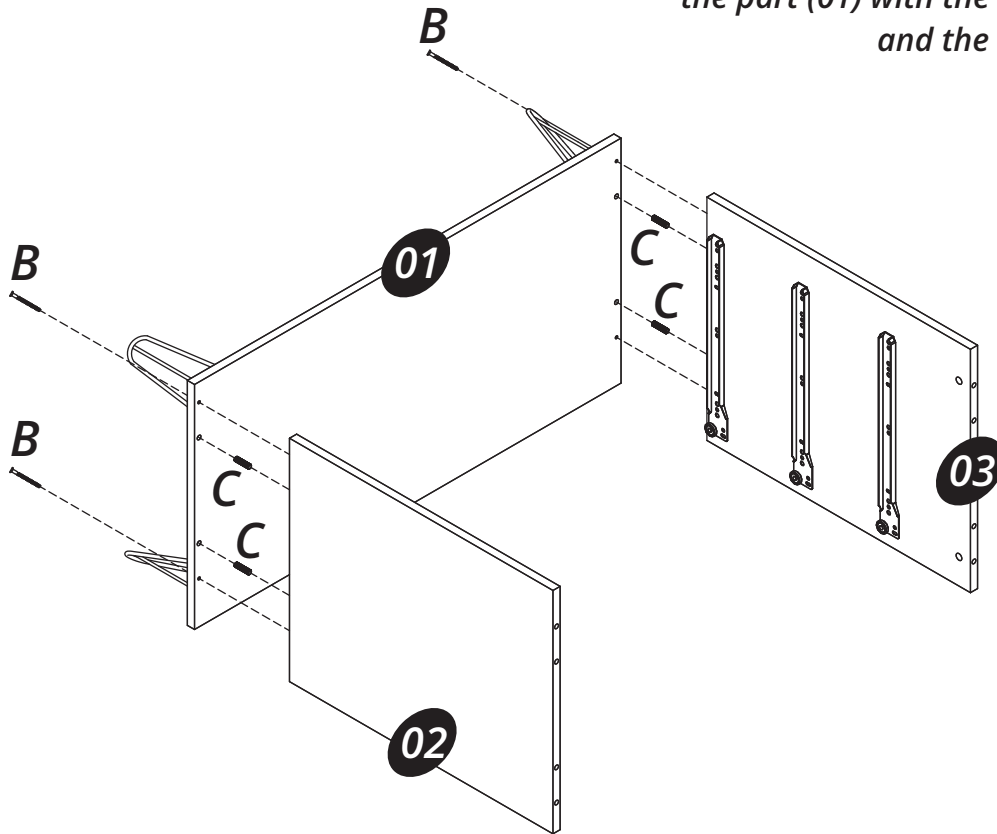
Step 01

Fix the parts (12) under the part (01) with the hardware (A).



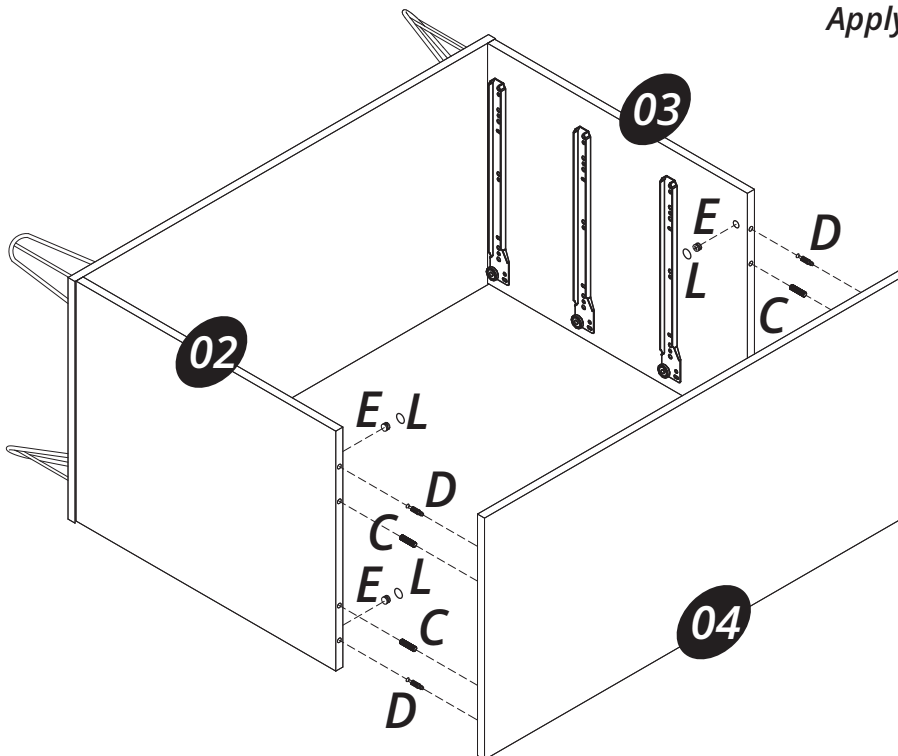
Step 02

Connect the parts (02) and (03) onto the part (01) with the hardware (C) and the hardware (B).



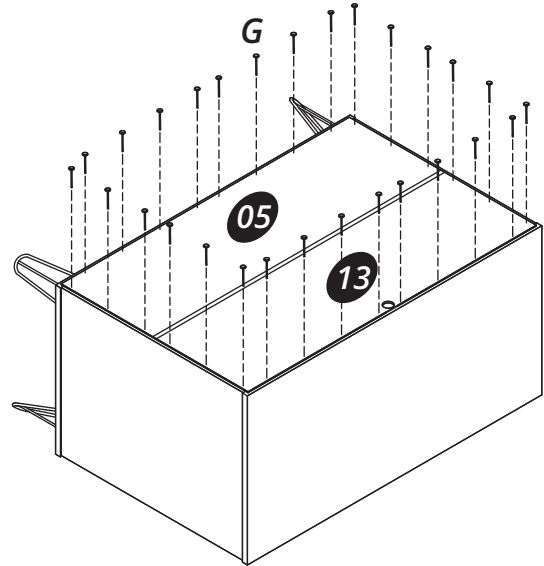
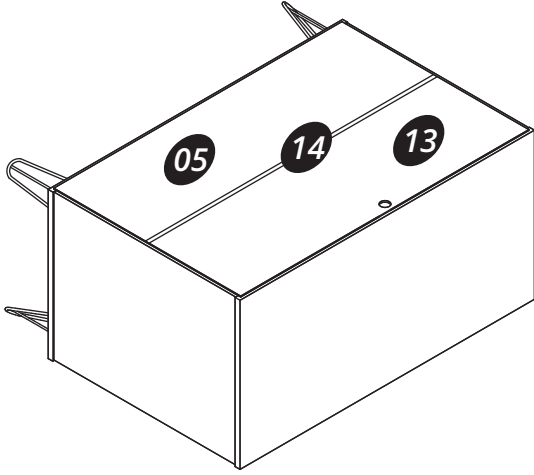
Step 03

Connect the part (04) onto the parts (02) and (03) using the hardware (C) and the hardware (D + E). Apply the hardware (L) on the hardware (E).



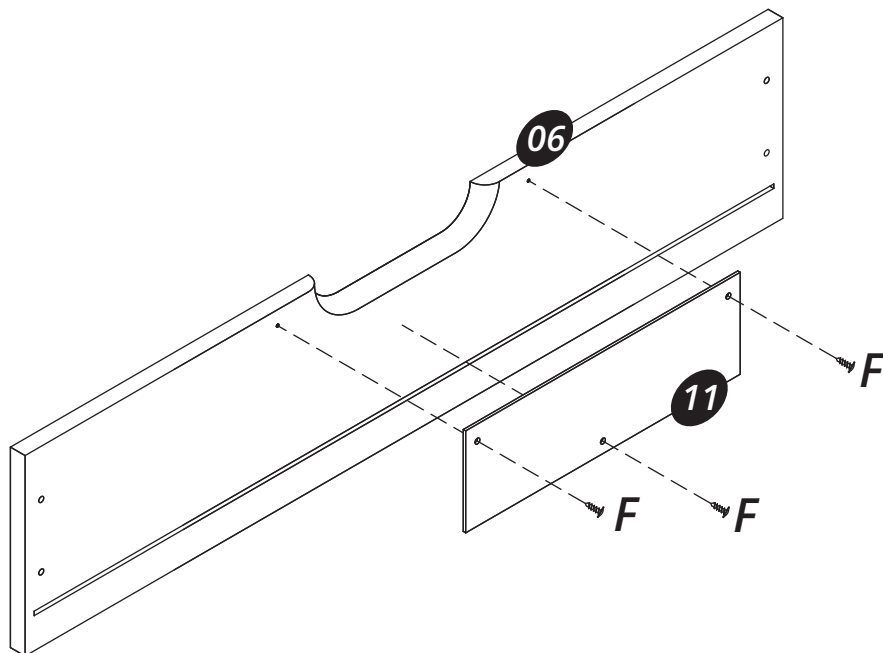
Step 04

Connect the part (05) and the part (13) joining with the part (14) and the hardware (G).



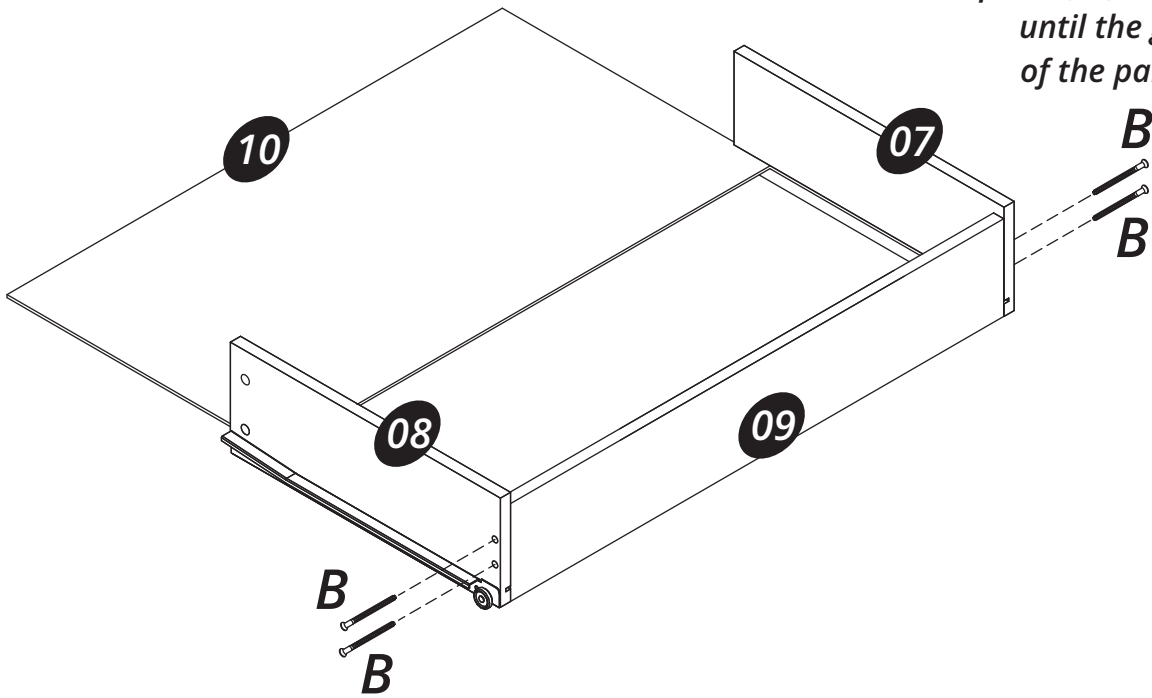
Step 05

Connect the part (11) onto the part (06) with the hardware (F).



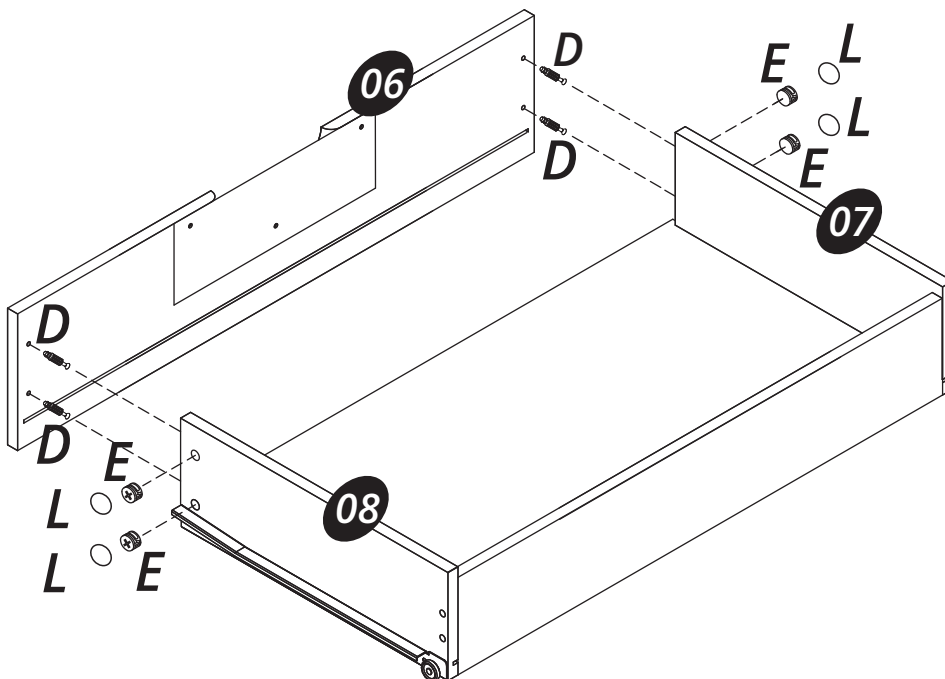
Step 06

Connect the parts (07), (08) and (09) with the hardware (B).
Apply the part (10) in the groove of the parts (07) and (08) until the groove of the part (09).



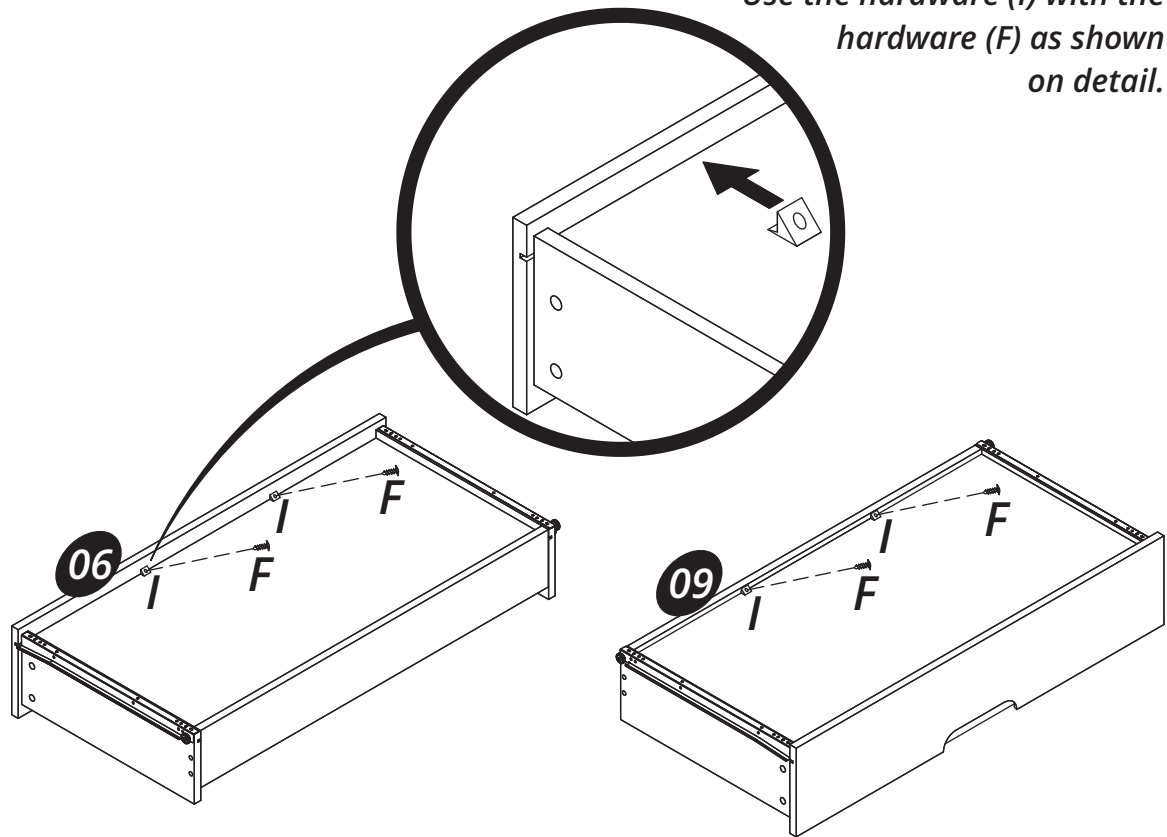
Step 07

Connect parts (07), (08) and (06) using the hardware (D + E).
Apply hardware (L) on the hardware (E).



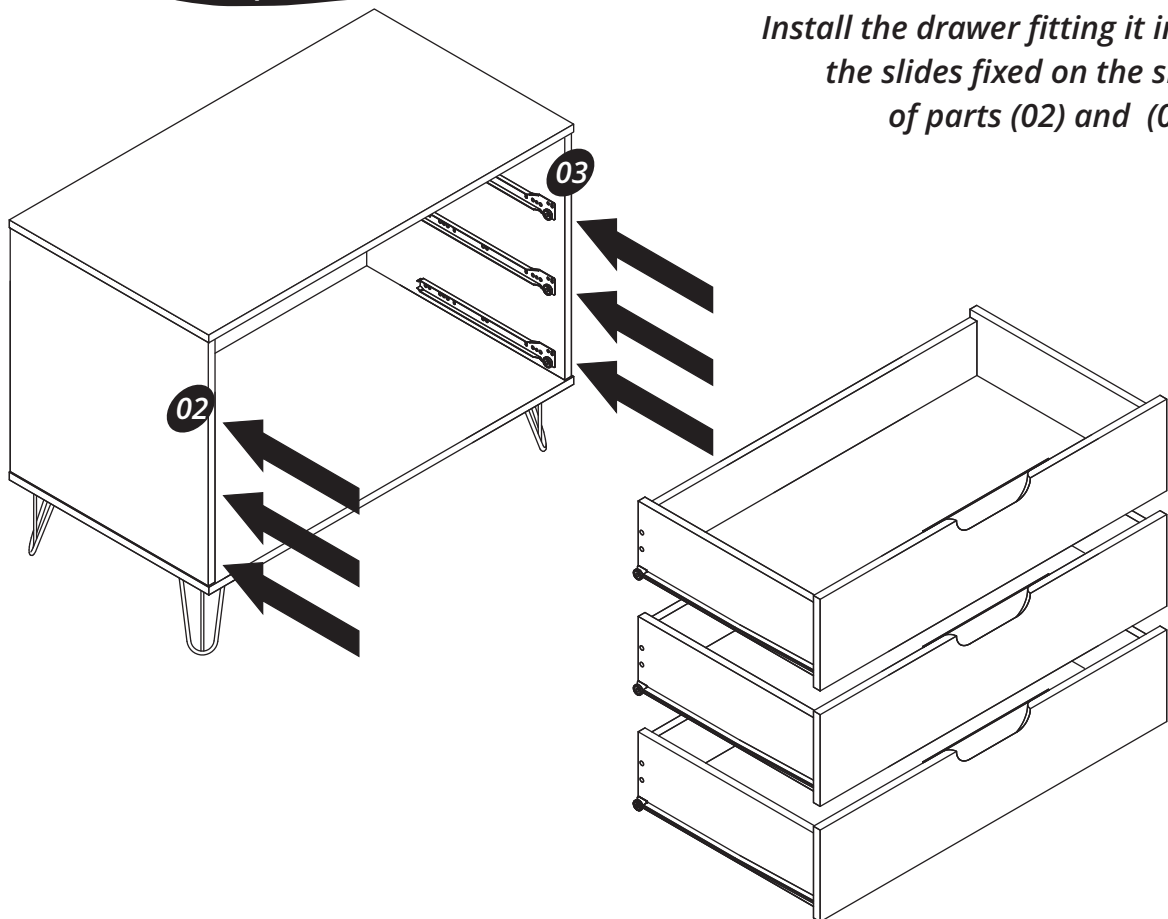
Step 08

Use the hardware (I) with the hardware (F) as shown on detail.

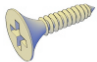


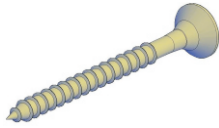
Step 09

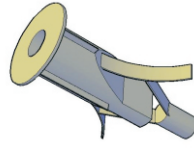
Install the drawer fitting it into the slides fixed on the side of parts (02) and (03).

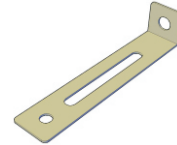


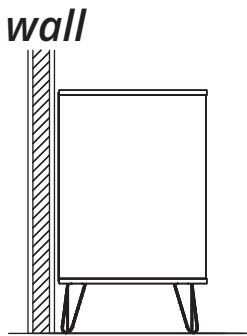
Attention! Tipover System


F = 02x

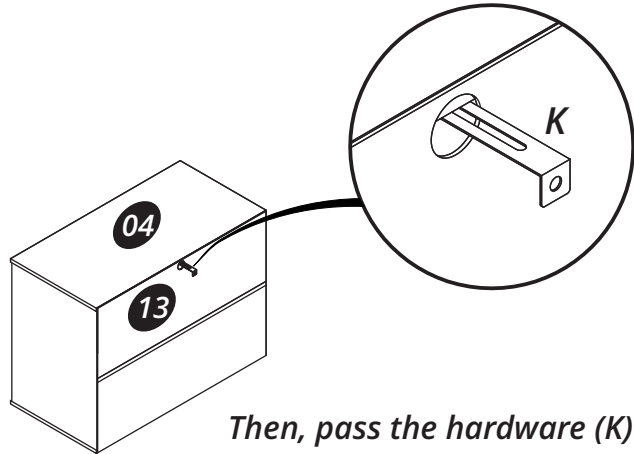

H = 01x


J = 01x


K = 01x

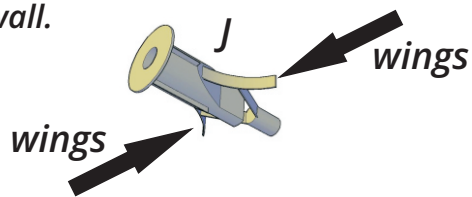


First, approach as close as possible to the wall

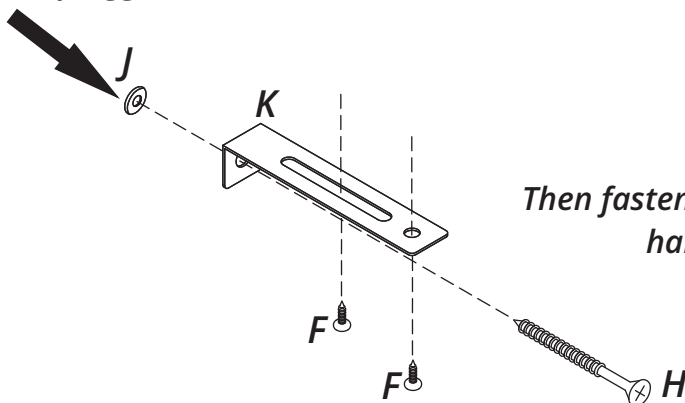


Then, pass the hardware (K) through the hole of the part (13) as shown in the figure above. You will need a pencil to mark where you should drill the wall with a 3/8" drill bit to put in the hardware (J).

*press the hardware wings (J) to put in the hole that you drilled in the wall.



Hardware (J), plugged in the wall.



Then fasten with the hardware (F) the hardware (K) on the part (04)