



MANHATTAN
COMFORT

888-230-2225

help@manhattancomfort.com



Rockefeller

nightstand 02 drawers

Included in the package

01 - Base = 01 piece

02 - Left side panel = 01 piece

03 - Right side panel = 01 piece

04 - Top panel = 01 piece

05 - Back panel = 01 piece

06 - Front of the drawer = 02 pieces

07 - Left side panel of the drawer = 02 pieces

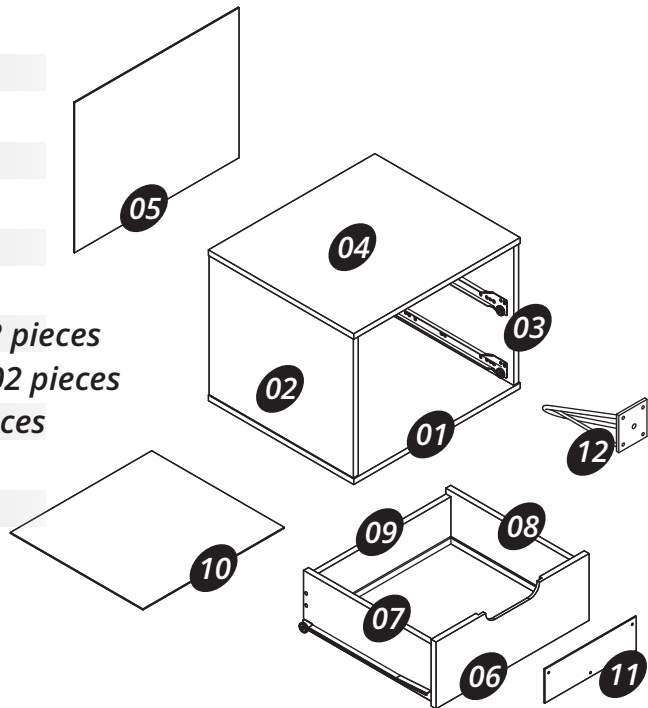
08 - Right side panel of the drawer = 02 pieces

09 - Rear panel of the drawer = 02 pieces

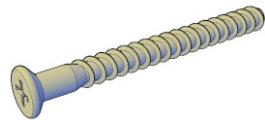
10 - Base of the drawer = 02 pieces

11 - Decorative apply = 02 pieces

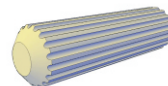
12 - Feet = 04 pieces



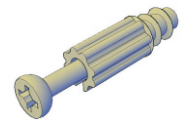
A = 16x



B = 12x



C = 08x



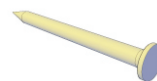
D = 12x



E = 12x



F = 06x



G = 20x



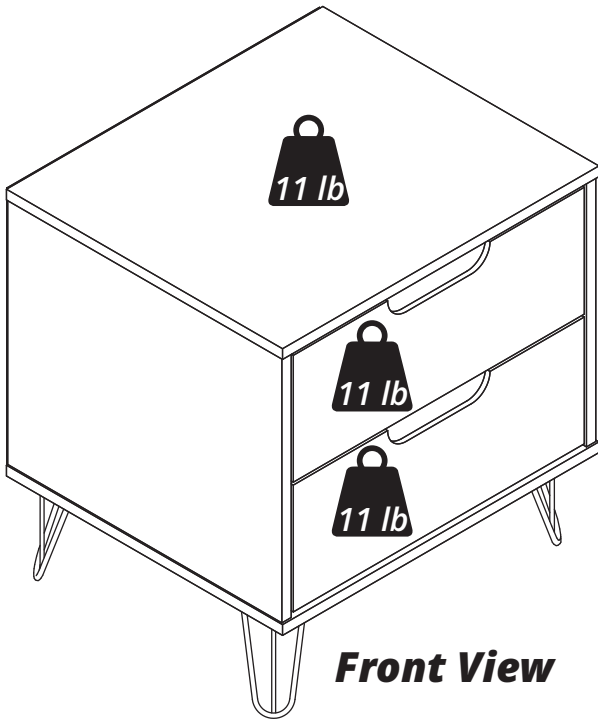
H = 12x

**Tools needed
(not included)**

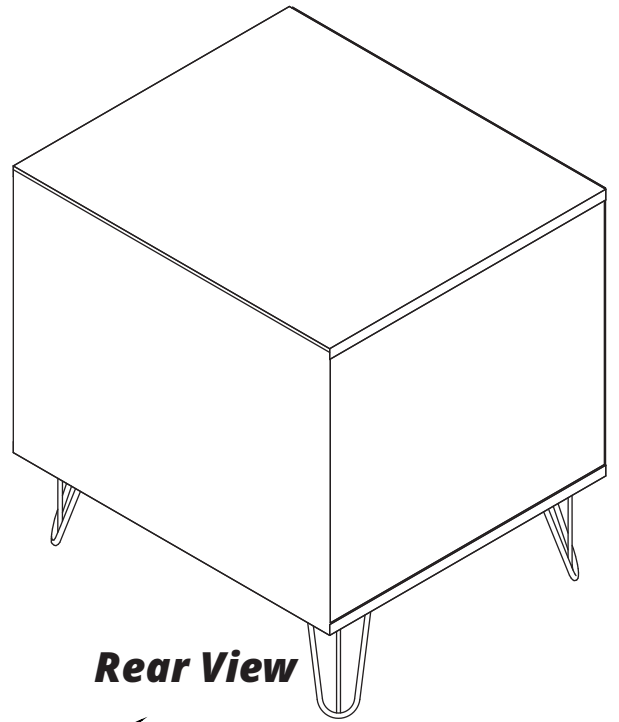


 Phillips screw driver

 Screw driver



Front View

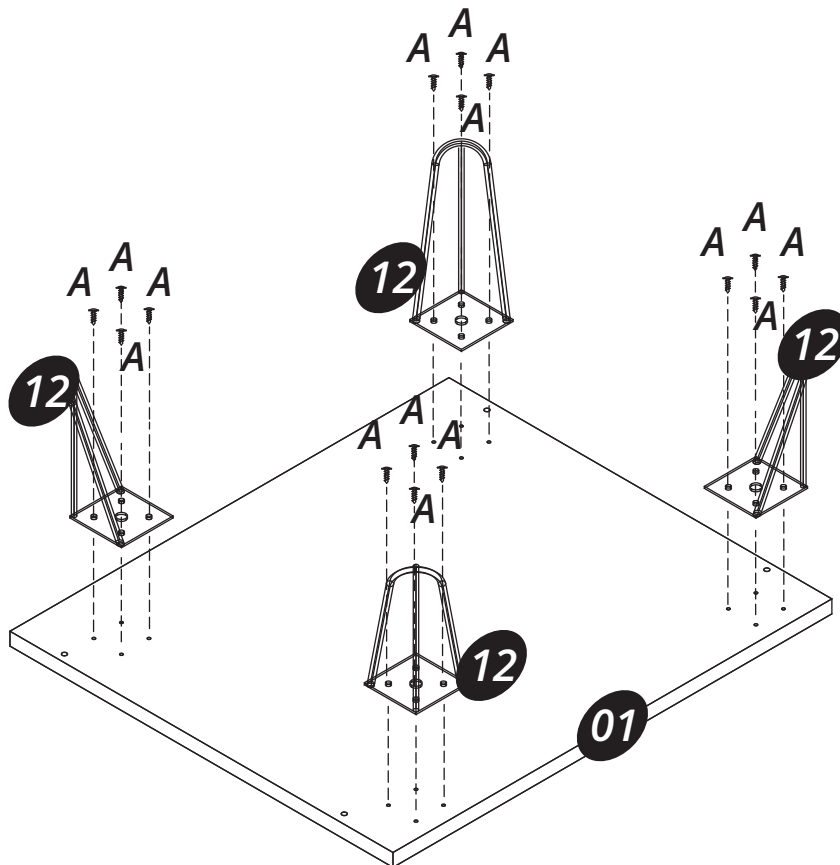


Rear View

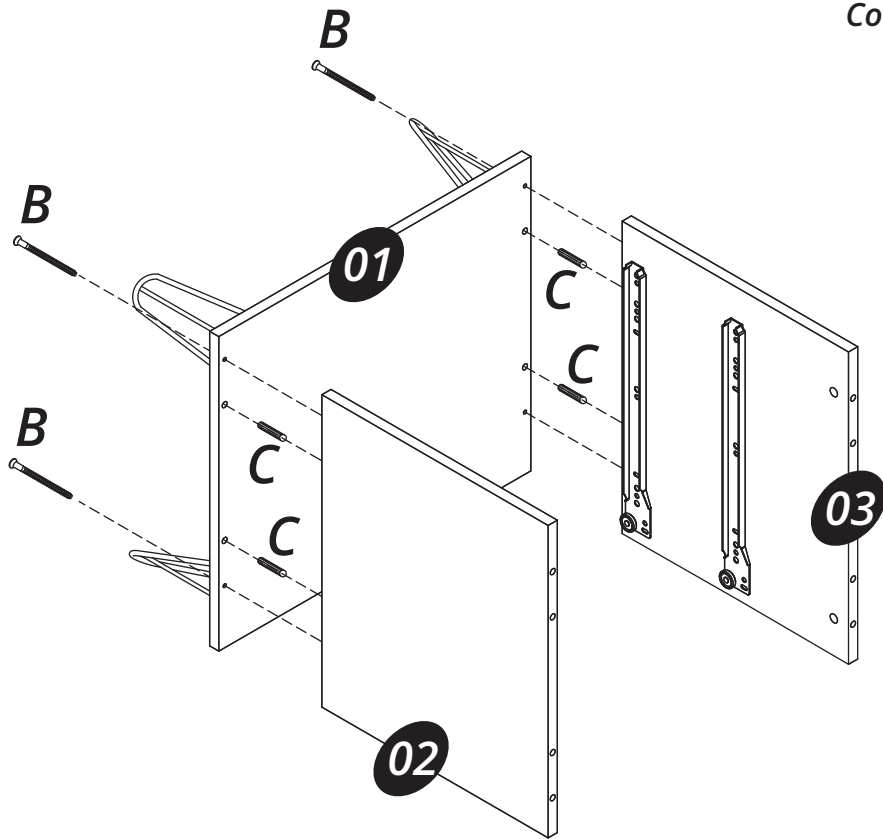


Step 01

Fix the part (12) under the part (01) with the hardware (A).

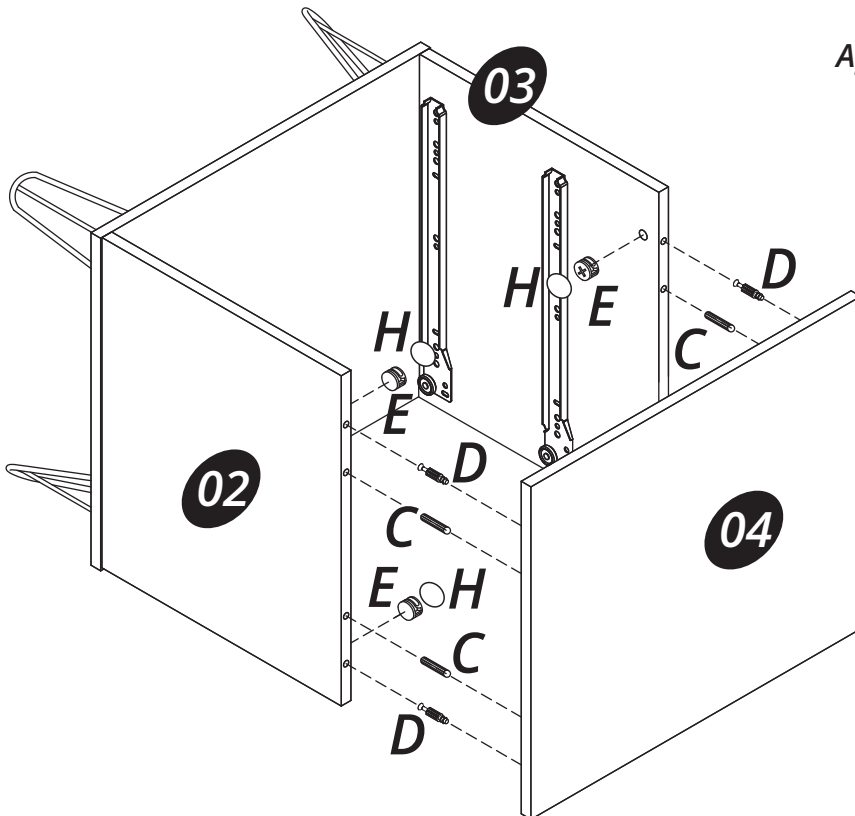


Step 02



Connect the parts (02) and (03) onto the part (01) with the hardware (C) and (B).

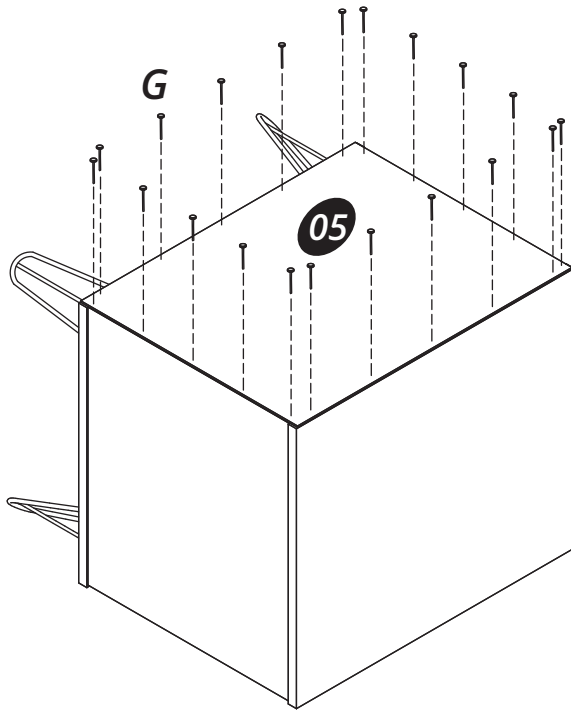
Step 03



Connect the part (04) onto the parts (02) and (03) using the hardware (C) and the hardware (D + E). Apply the hardware (H) on the hardware (E).

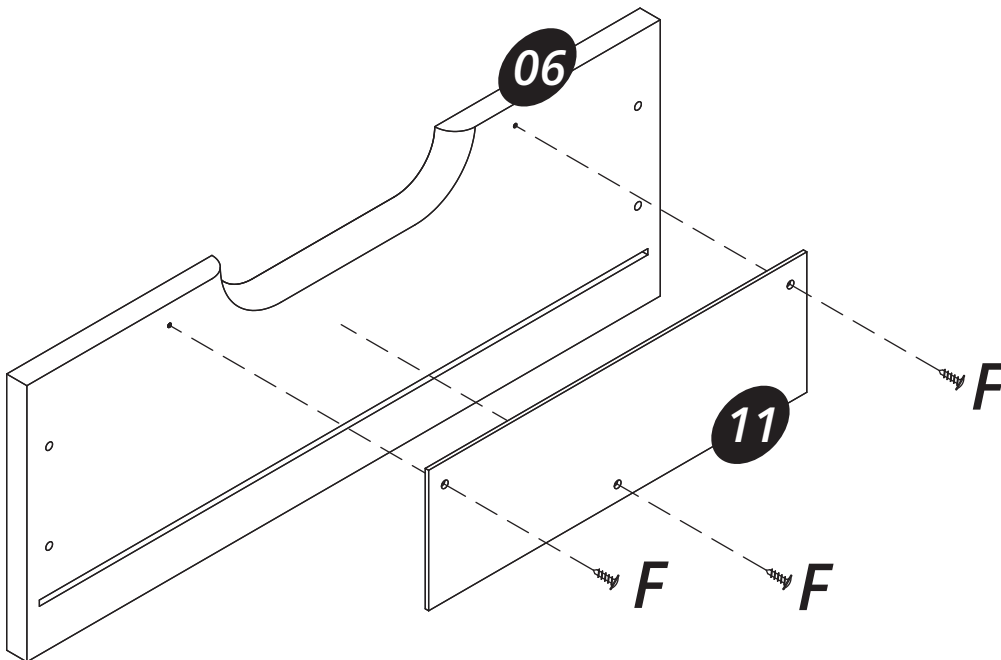
Step 04

Connect the part (05) with the hardware (G).



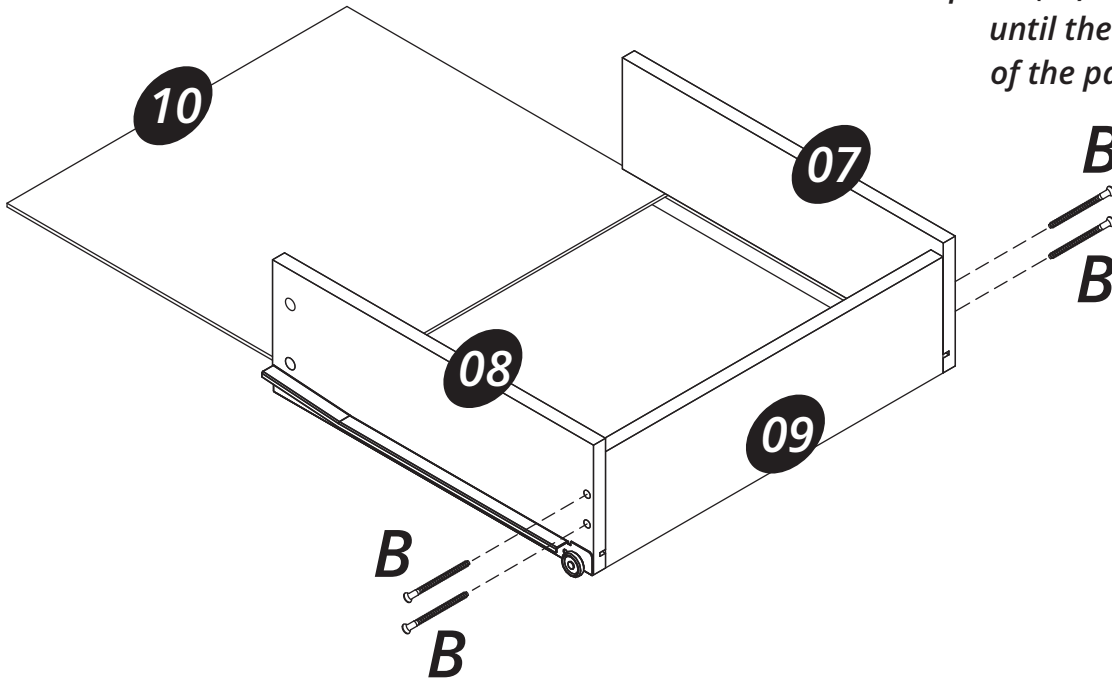
Step 05

Connect the part (11) onto the part (06) with the hardware (F).



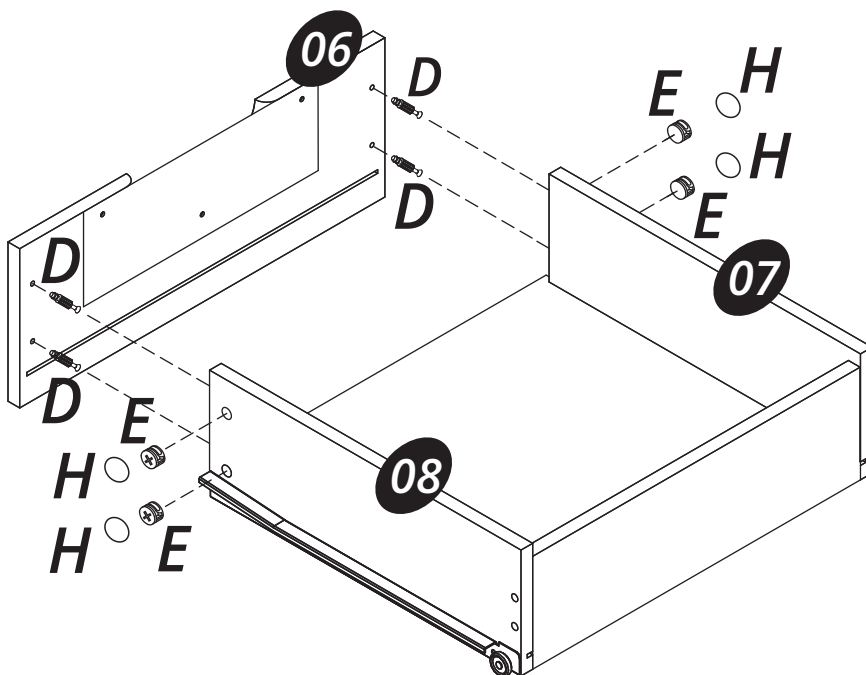
Step 06

Connect the parts (07), (08) and (09) with the hardware (B).
Apply the part (10) in the groove of the parts (07) and (08) until the groove of the part (09).



Step 07

Connect parts (07), (08) and (06) using the hardware (D + E).
Apply the hardware (H) on the hardware (E).



Step 08

Install the drawer fitting it into the slides fixed on the side of parts (02) and (03).

