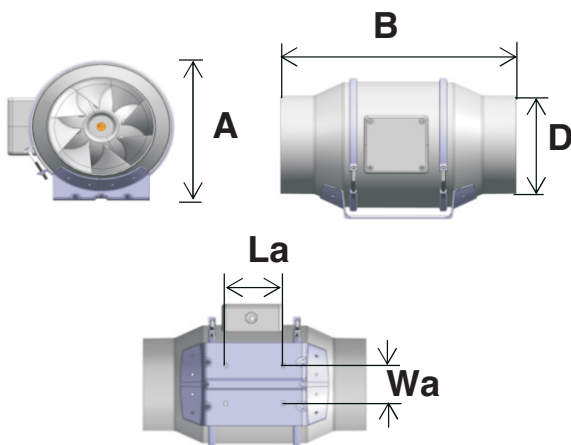


Start

Before starting the machine, please confirm that:

- The equipment is firm and the wiring is correct.
- The safety guard has been installed correctly.
- Any installation remains that can be inhaled by the fan have been removed, and the pipeline connected to the fan has been cleaned up.
- The ground wire is properly connected.
- The electrical safety device has been correctly connected and adjusted to the proper position.

DISASSEMBLY SIZE



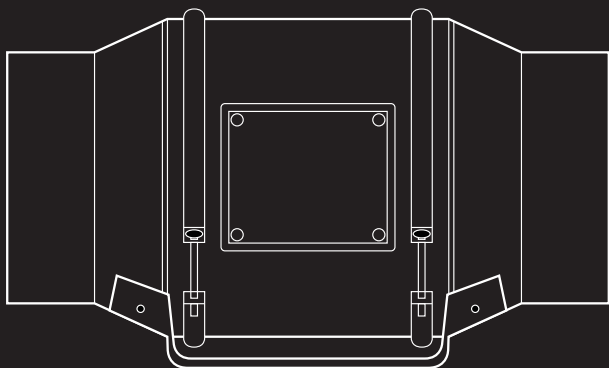
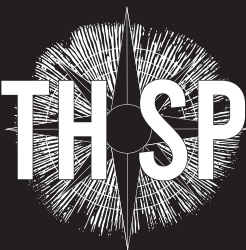
UNIT: mm

Model	A	B	D	La	Wa
KC-100A/M	166	300	Ø98	81	60

WARRANTY

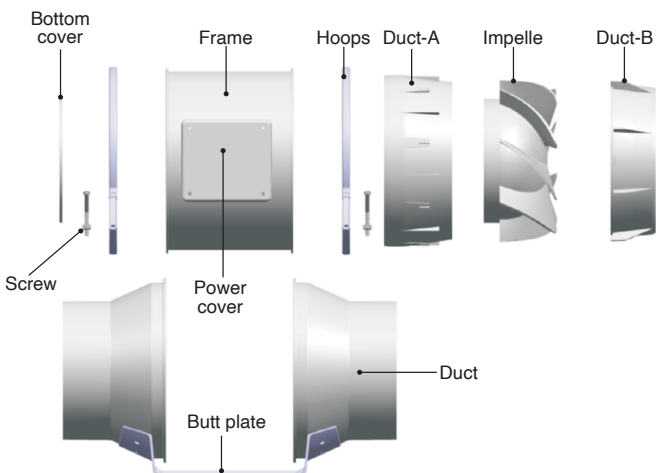
This product is guaranteed under warranty and covers defects in material or workmanship from 1 year of date of purchase. The original bill of purchase (with purchase date) must be submitted. The warranty will not apply in cases of: Misuse: by non-compliance of the instructions, normal wear and tear, incorrect use, e.g. overloading, non-approved accessories, force or damage caused by external forces, if the plug has been tampered with or removed, partially or completely dismantled product, or interference by non-qualified persons.

NORTH SPORE



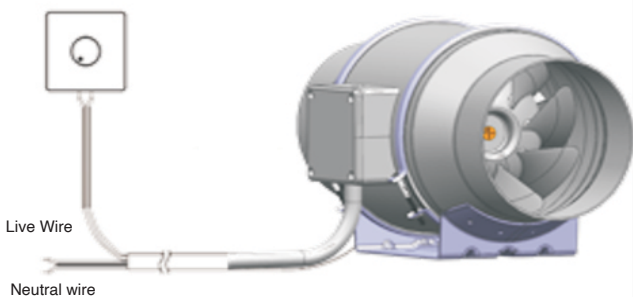
FAE

FAN



WIRING INSTRUCTION

speed-control switch



Model	Input voltage	Power	Speed	Air Volume
KC-100A/M	AC110~220V, 50/60Hz	40W	2600RPM/ min	205 CFM

DISASSEMBLY GRAPH

- 1 Open the regulator and the ring screw fixation screws



- 2 Remove the housing from the frame



- 3 Mounting bracket



INSTALLATION MANUAL (commercial/domestic)

Thank you for choosing this product, which is designed and manufactured in accordance with EC standards and current technical/safety regulations.

This manual focuses on the safety precautions in the installation, use and maintenance of the product. Therefore, be sure to read this manual carefully before installing and using the product, and hand it to the user after the product installation.

After opening the package, please carefully check whether the product is consistent with your order, whether the parameters on the nameplate can meet your requirements, and check the condition of the product. Any original defect or damage is within the scope of our quality assurance.

Handling and installation environment

- The package used in this product is suitable for normal transportation conditions. The original packing box must be used during transportation to avoid damage.
- Before installation, the equipment should be stored in a dry environment, in the original packaging, and protective measures should be taken to prevent dust invasion. If there is any discrepancy or obvious sign that the product has been used, you may reject the product.
- Please do not knock or drop the product, or store heavy objects in the packaged product.

Safety precautions for installers and users

- Installation must be carried out by qualified personnel.
- The installation must be in accordance with the specifications of the country.
- The equipment to be put into operation shall meet the following standards:
2014/35/EU low voltage equipment installation specification
2014/30/EU Electromagnetic Compatibility Specification
- The product is suitable for use in the application area specified on the nameplate.
- The equipment is not suitable for an environment where explosions occur.
- If the fan is used for the exhaust of a boiler or other combustion equipment, make sure that there is sufficient airflow in the room to ensure combustion.
- Do not let children play with this product.

Installation safety precautions

- Make sure there are no items around the fan that are in danger of being inhaled.
- When installing the equipment, make sure that all the accessories are in place and that the structure of the fan can ensure the load brought by the full load operation of the fan.
- Before using the equipment, make sure that the power supply is disconnected even if the device switch is turned off.
- Check whether the voltage and frequency of the main power supply are consistent with the data specified on the product nameplate.
- The power supply device must be equipped with a bipolar switch, and the distance between the contacts shall be at least 3mm. The size and specifications shall be consistent with the relevant power regulations of the country.
- If grounding wire is required, please check that your wiring is correct, and make sure that the overheat and overload protection wires are correctly connected and adjusted to the relevant range.
- If the fan is installed in a duct, the duct must be used only for this ventilation system.