

Axkid Move



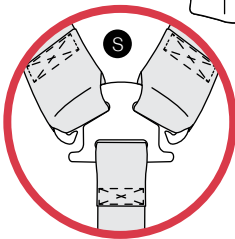
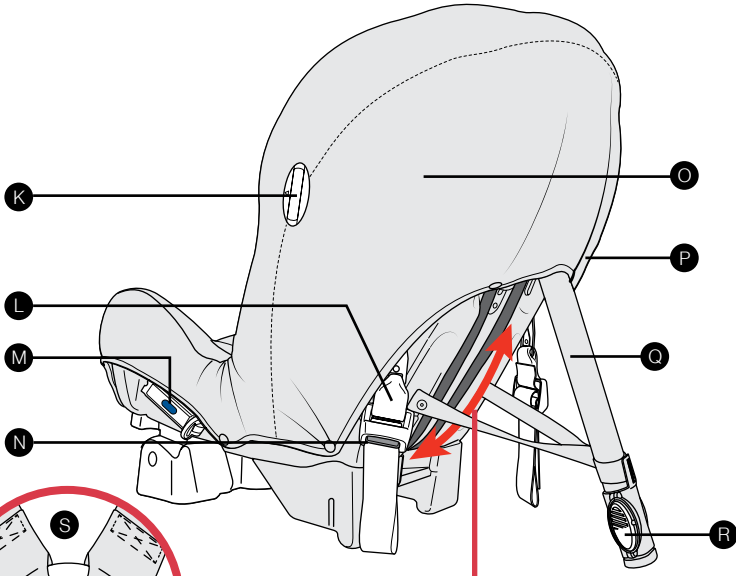
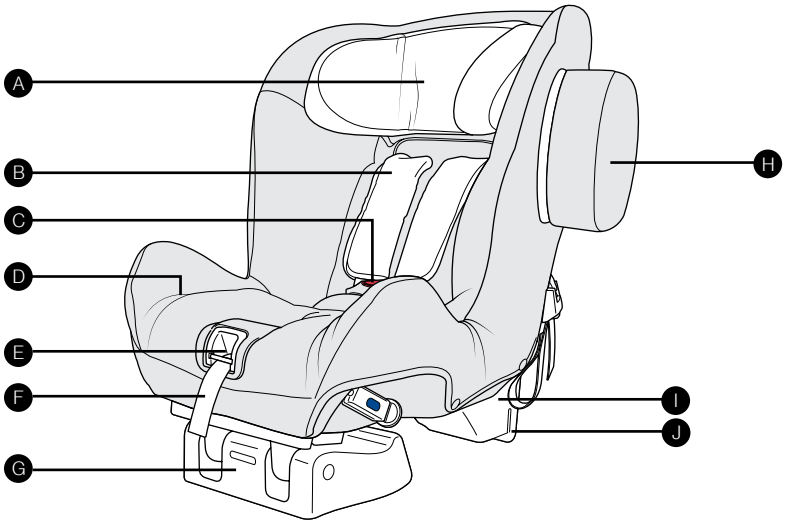
- EN** 3-10
- PT** 11-18
- DE** 19-26
- SE** 27-34
- SI** 35-42
- CZ** 43-50
- SK** 51-58
- PL** 59-66
- FR** 67-74
- NO** 75-82
- FI** 83-90
- RO** 91-98
- ES** 99-106

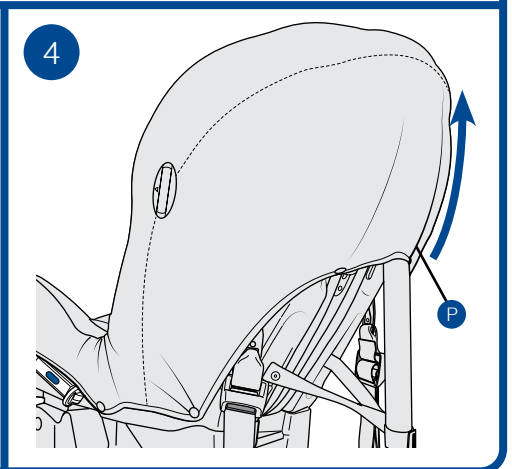
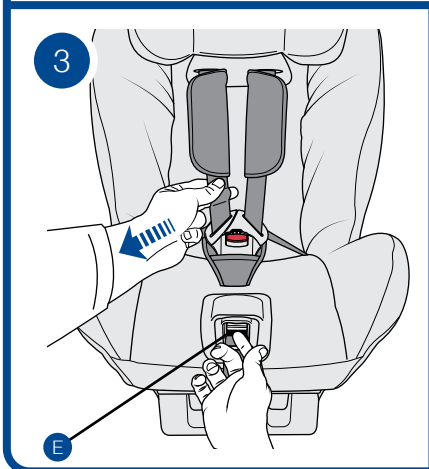
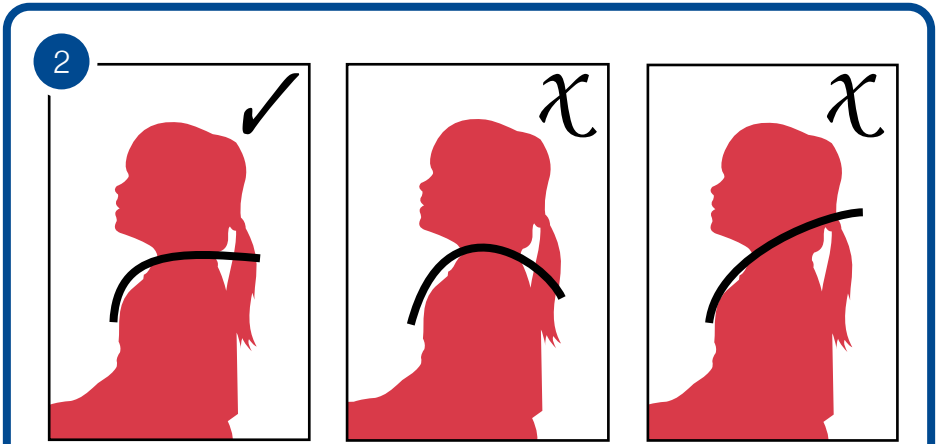
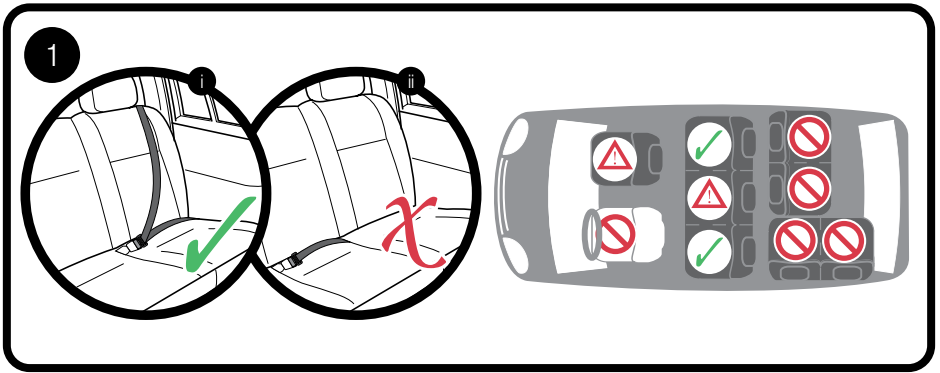
ECE R44/04

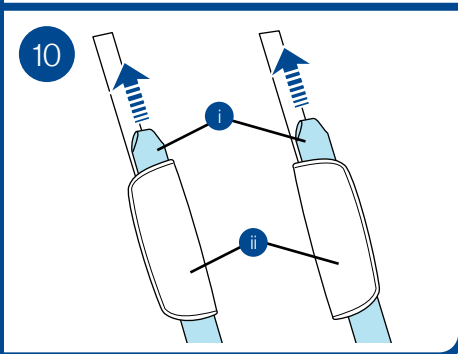
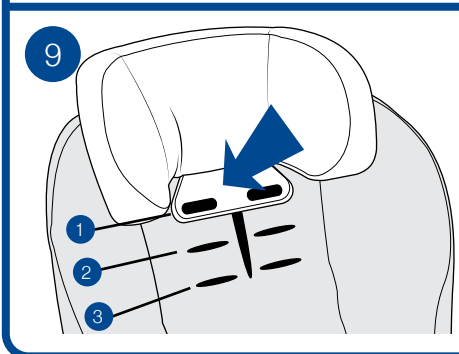
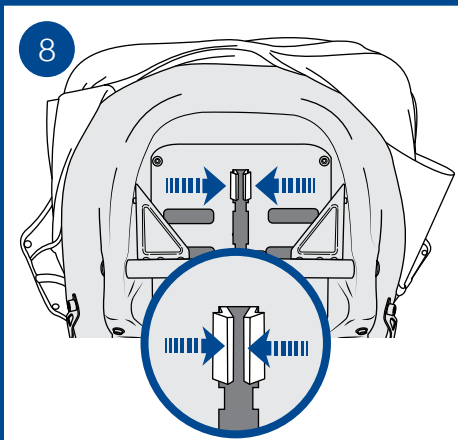
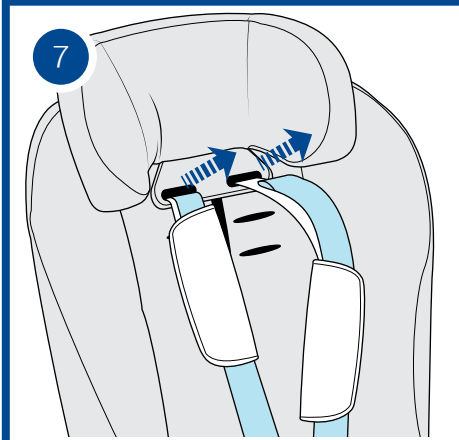
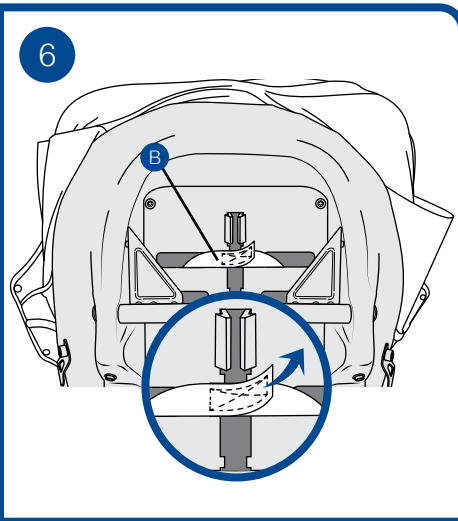
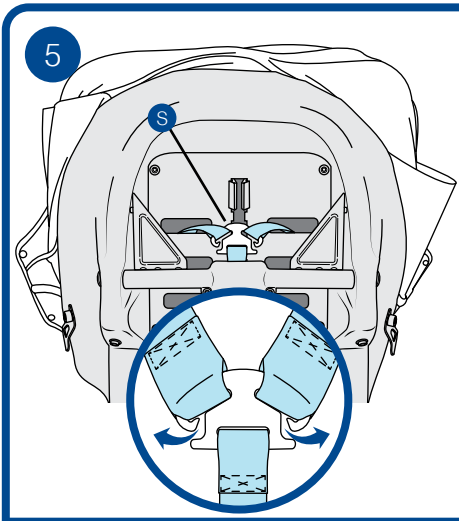
AXKID



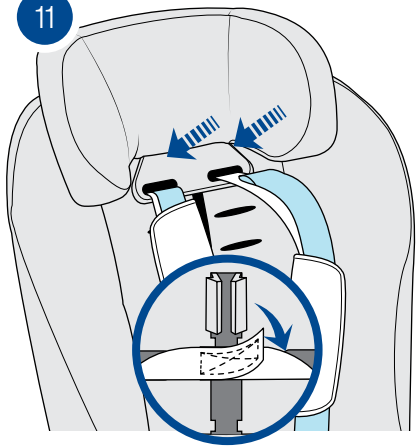
9-25kg



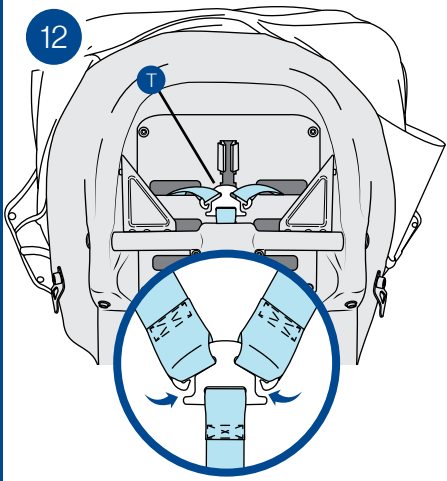




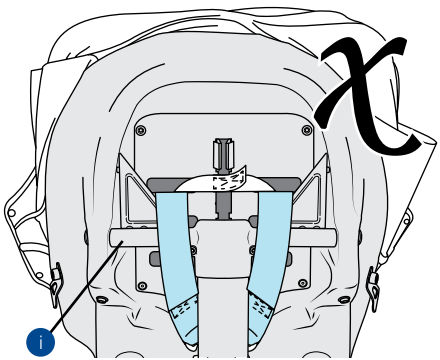
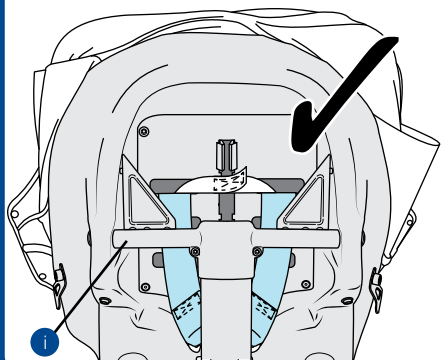
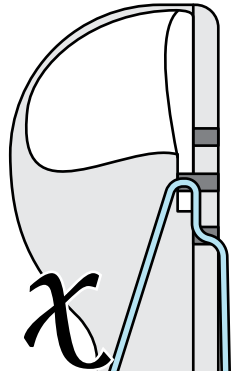
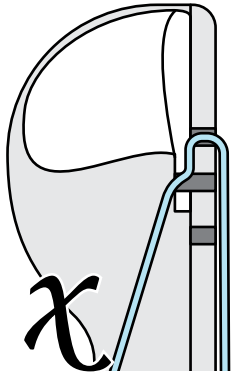
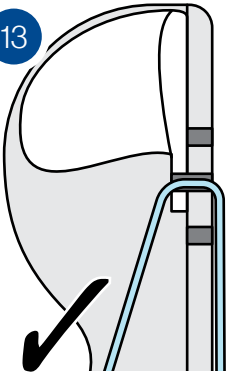
11



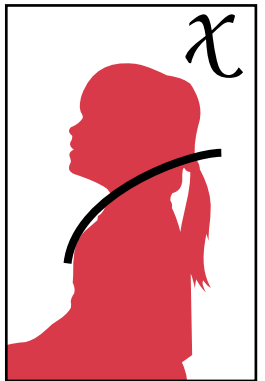
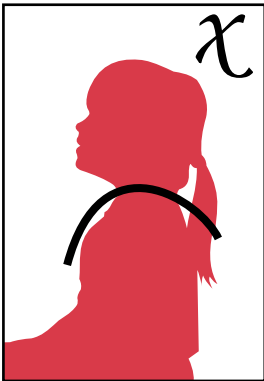
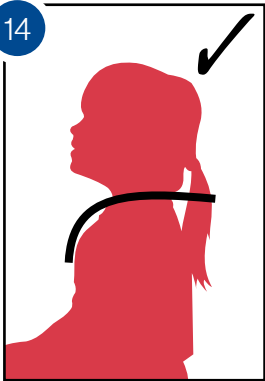
12



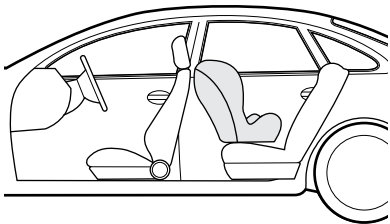
13



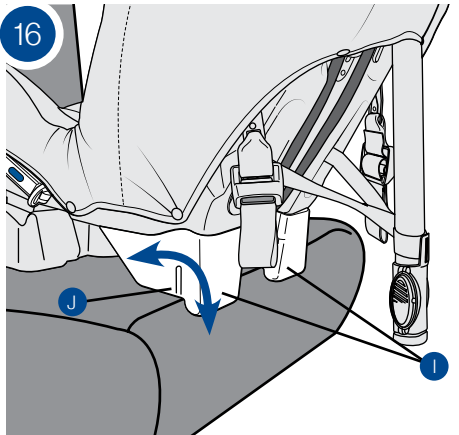
14



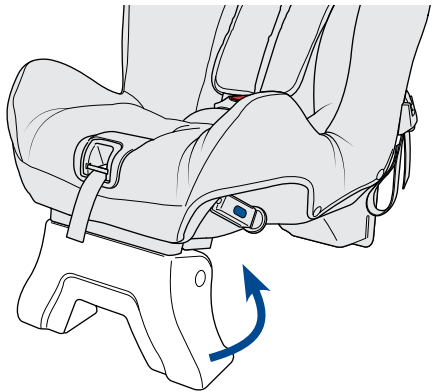
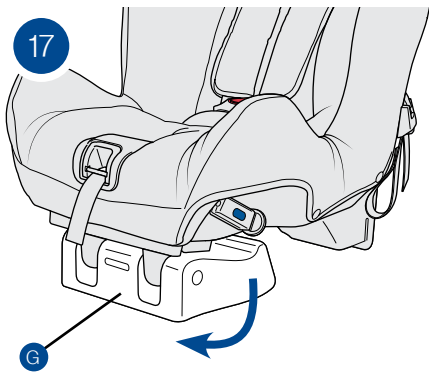
15



16



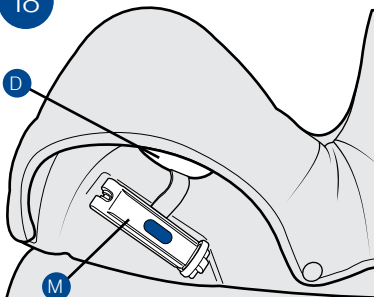
17



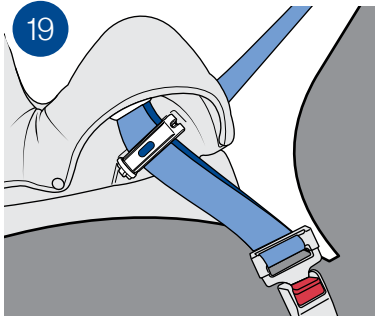
18

D

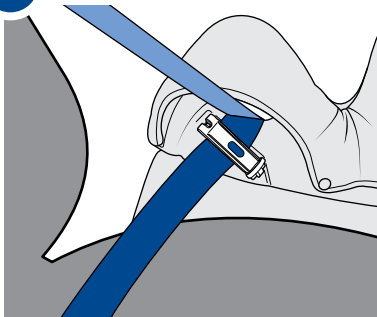
M



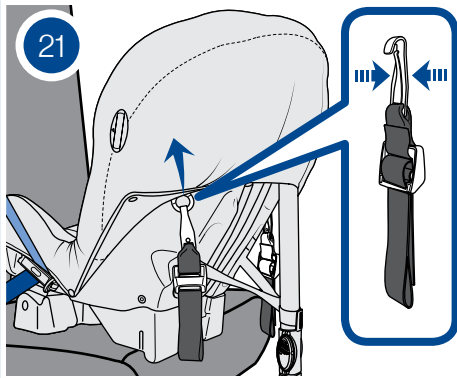
19



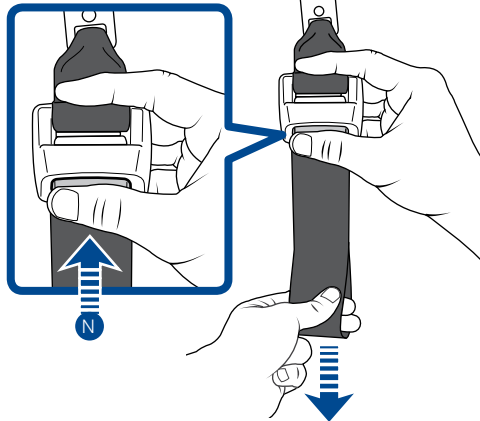
20



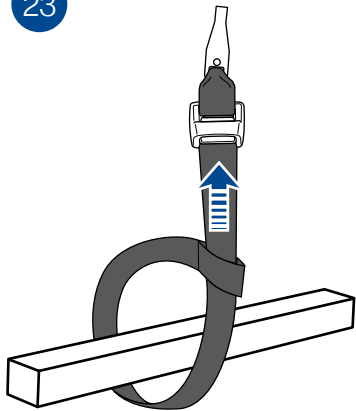
21



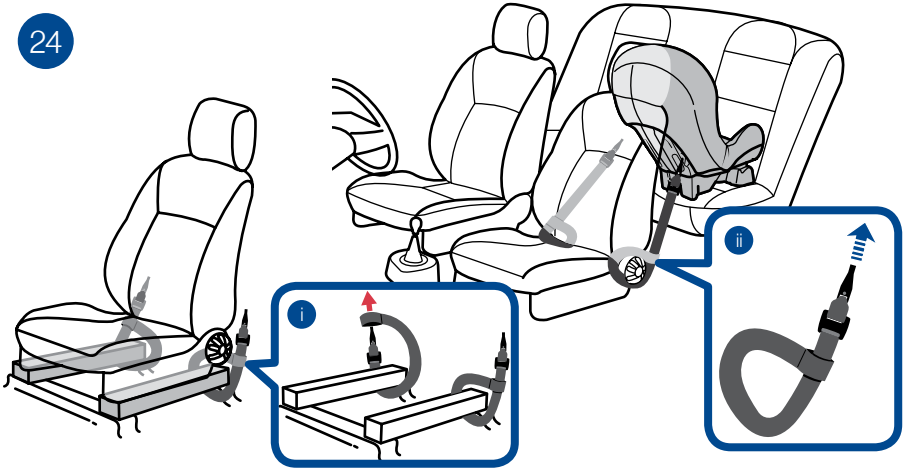
22



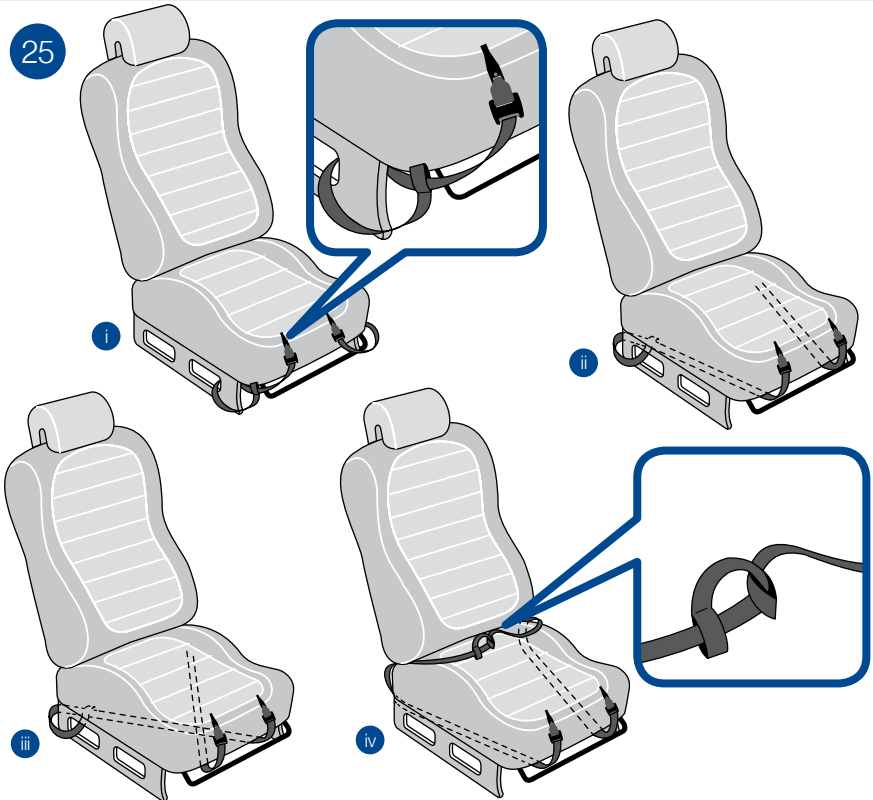
23



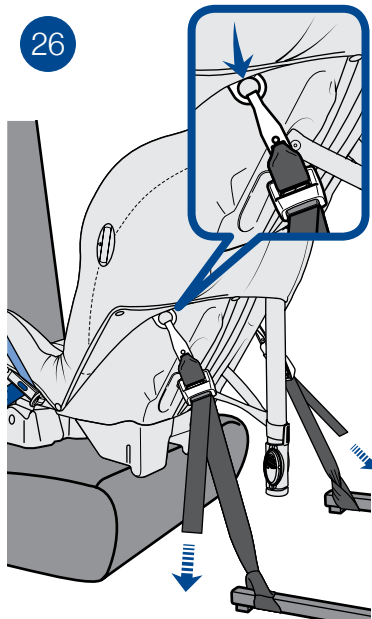
24



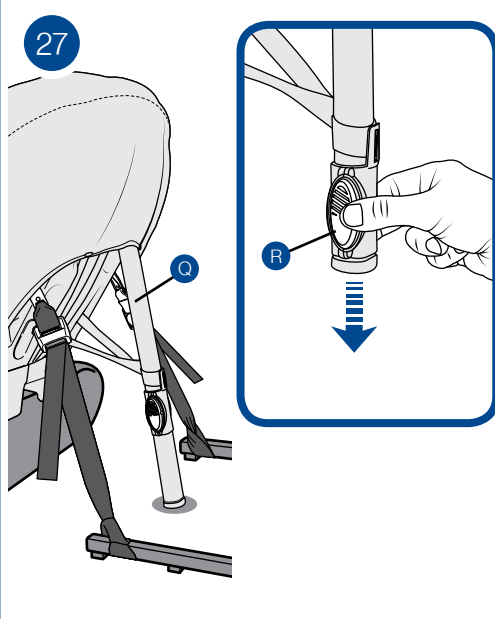
25



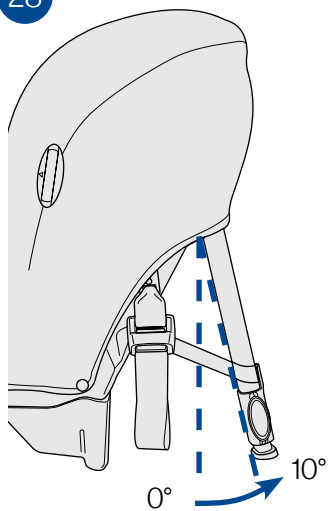
26



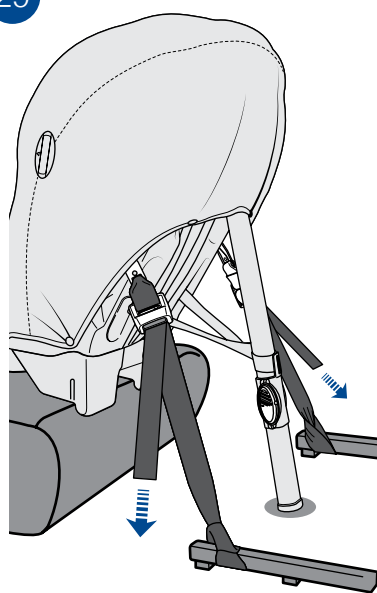
27

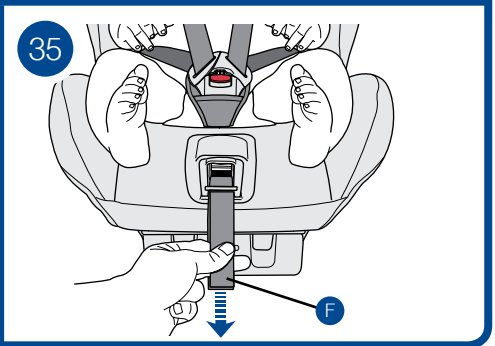
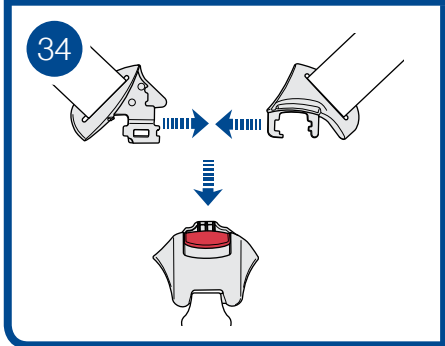
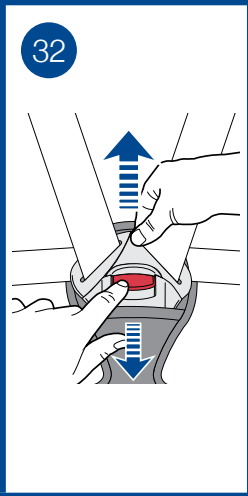
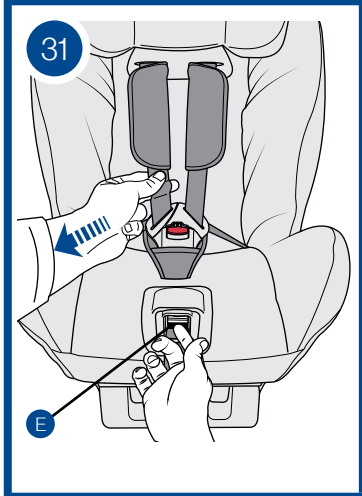
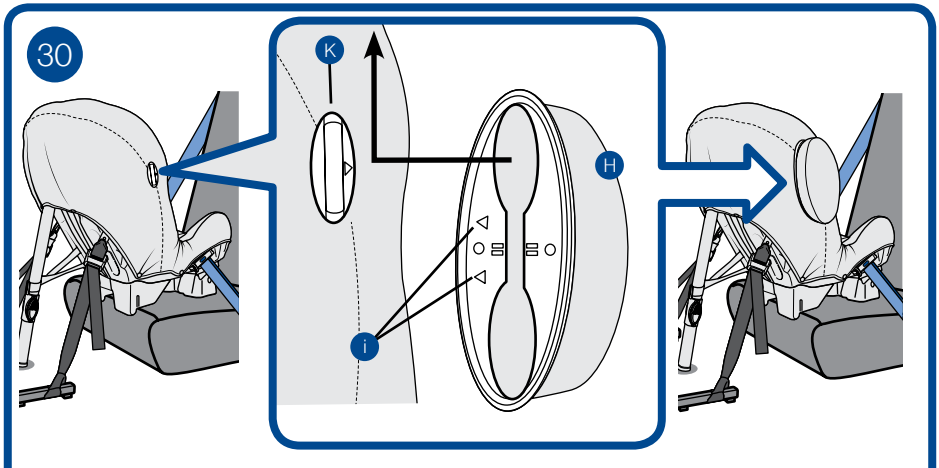


28

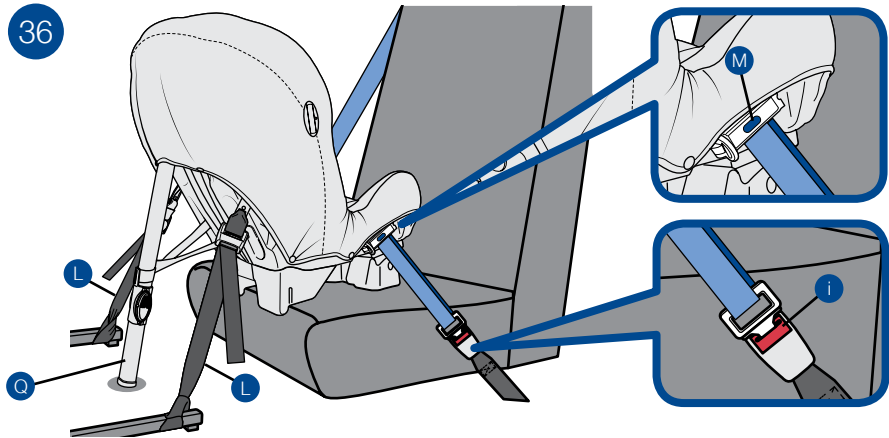


29

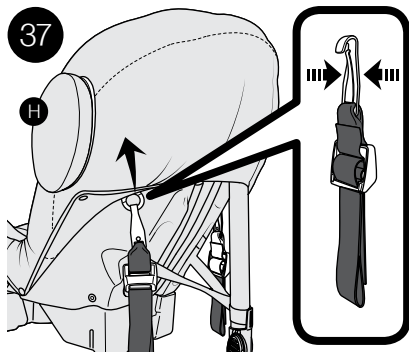




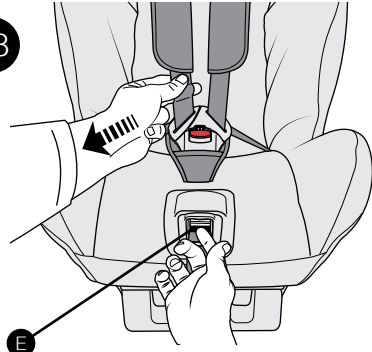
36



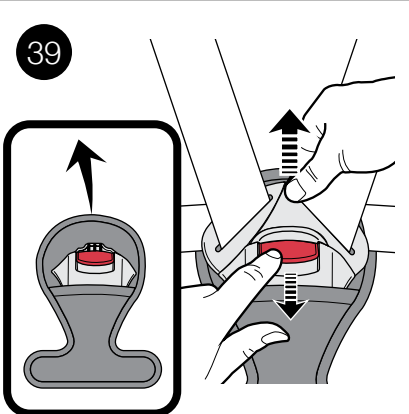
37



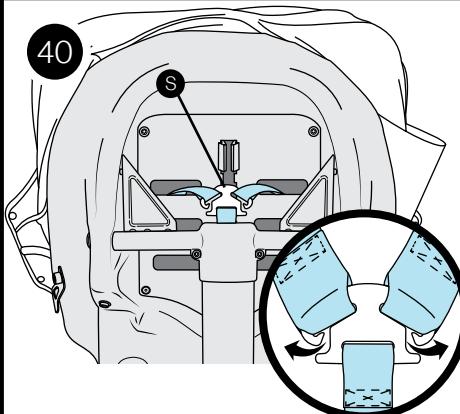
38

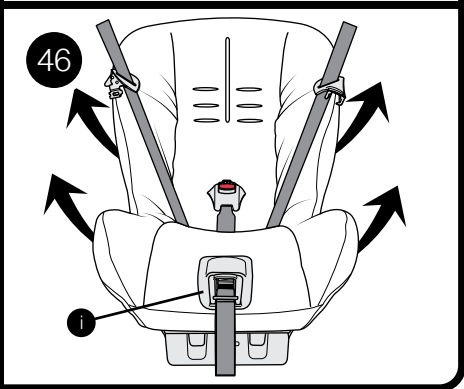
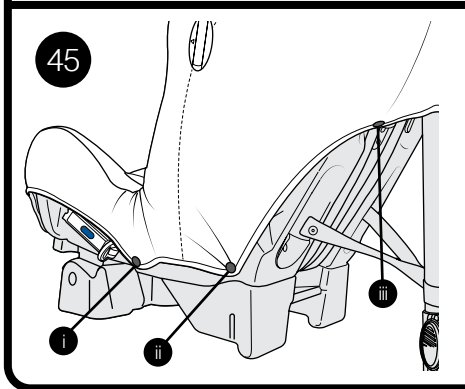
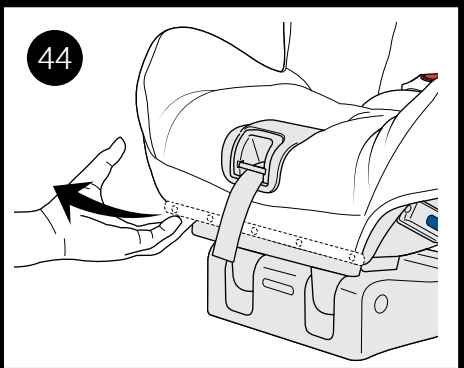
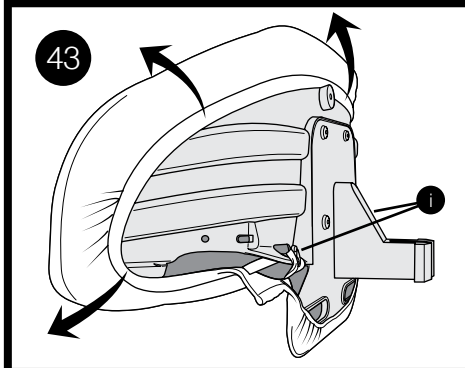
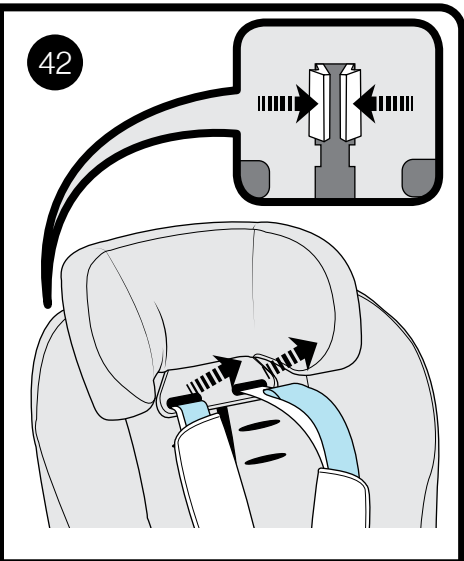
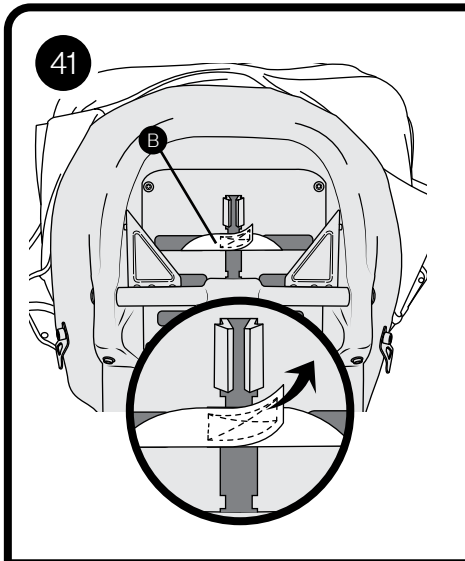


39



40





Axkid Move

Rear-facing 9-25 kg with vehicle seat belt and tethers

Instruction Manual

Important information

Read this instruction manual before installing the Move child restraint in your vehicle. For more information and installation videos visit www.axkid.com.

Thank you for choosing an Axkid child seat. Our team has over 30 years combined experience within child safety, and we have done our utmost to make the Move child seat as safe as possible. The Move child restraint is approved according to ECE R44/04, the latest European standards for child safety. To maximise your child's safety it is important that you keep the following in mind;

Read this instruction manual carefully before installing the Move child restraint. If in doubt, contact your retailer who can demonstrate a correct installation. An incorrect installation could endanger your child.

Do not use a child restraint in a seating position where an active airbag is fitted. If you still wish to install the Move in this location the airbag must be disconnected at an authorised service centre. Some vehicles may be equipped with a switch which allows you to manually switch the airbag off. It is important to always check if the vehicle's indicator light shows that the airbag is turned off.

Extensive research has shown that the risk of serious injury or worse is five times greater for a young child when in a forward facing restraint compared to a rearward-facing restraint. In Move your child can travel rearward-facing up to 25kg.

Always use the support leg when installing the Move seat. The support leg is a very important safety feature designed to maximise your child's safety in an accident.

Should you have an accident, no matter how small, your child restraint should be replaced. It may have damage that is undetectable and could seriously jeopardize your child's safety. For this reason Axkid do not recommend purchasing second hand child restraints.

Never leave your child unattended in the car.

Ensure any luggage or loose objects are secured in your vehicle as they may cause injuries to passengers in the event of a collision.

Store this instruction manual in the designated pocket (O) on the car seat.

Contents

The Move child restraint is suitable for use from approximately six months of age, or from when your child can sit up unsupported, up until the age of six. This child restraint can **ONLY** be installed rear-facing.

Parts	4
Allowed and disallowed positioning of the child car seat	4-5
Rear-facing 9-25kg with vehicle seat belt and tethers	5-9
This assembly can be used for children weighing between 9-25 kg (20-55 lb).	
Removing and fitting the covers	9
Care and maintenance	10
Warranty	10

Parts

A	Headrest	K	Side impact pad connector
B	Integral harness	L	Tether straps
C	Harness buckle	M	Belt lock-off
D	Seat belt slot	N	Grey button
E	Harness adjuster button	O	Pocket for storage of instruction manual
F	Harness adjustment strap	P	Zip
G	Recline block	Q	Support leg
H	Side impact pad	R	Leg extension button
I	Heels	S	Yoke
J	Indented vertical line		

Allowed and disallowed positioning of the child car seat

- 1 The child restraint can be used on any forward facing passenger seat which has a 3-point seat belt (i), so long as there is no active airbag in place. The child restraint **cannot** be used with a 2-point lap belt (ii).

IMPORTANT: If you wish to install your Move in a location where an airbag is fitted, then the airbag must be disconnected at an authorized service centre. Some vehicles may be equipped with a switch which allows you to manually switch the airbag off. It is important to always check if the vehicle's indicator light shows that the airbag is turned off.

WARNING: Never use on a seat with an active airbag

WARNING: Never use on rearward or side facing vehicle seats

WARNING: Air bags are designed for adults and can seriously harm your child in a crash

Allowed and disallowed positioning of the child car seat.

Front passenger seat (no active airbag)	Yes
Front passenger seat (active airbag)	NO
Forward facing seat with 3-point seat belt	Yes
Seat with 2-point seat belt	NO
Side facing seats	NO
Rear facing seats	NO



Never use this child seat in a car that is not equipped with an ECE Reg 16 approved three-point belt.

Rear-facing 9-25 kg with seat belt & tethers

Adjusting the headrest and harness height

- 2 Before you install the child restraint make sure that the headrest is at the correct height for your child. The harness, when correctly installed, should be routed from the back of the seat to the front and pass just above your child's shoulders.
- 3 In order to adjust the height of the headrest and harness you will first need to detach the harness. Press the harness adjuster button (E) and pull forward on the shoulder straps (not the shoulder pads) to completely loosen the harness.
- 4 Open the zipper (P) on the back of the seat cover.
- 5 Unhook the shoulder straps from the yoke (S) at the back of the child restraint.
- 6 Unfasten the Velcro® and detach the shoulder pads (B) on the back of the seat.
- 7 Pull the shoulder pad straps and shoulder straps out from the seat.
- 8 Squeeze the plastic clip and gently pull the headrest free from the seat.
- 9 Reposition the headrest at one of the three heights that best suits your child. Push the bottom of the headrest until the plastic clip locks in place.

- 10 Feed the harness straps (i) through the shoulder pads (ii).
- 11 Thread the harness straps and shoulder pad straps through the holes in the headrest to the back of the seat ensuring all straps are at the same height. Connect the two shoulder pad straps using the Velcro®.
- 12 Reconnect the harness straps to the yoke.
- 13 **IMPORTANT!** Make sure the harness straps pass through the same hole height positions on the headrest and the seat. **IMPORTANT!** Ensure the harness is routed between the seat and the support leg. The harness **MUST NOT** pass over the support leg's horizontal bar (i).
- 14 Make sure the height is correct by placing your child in the seat.

WARNING! Never use this child seat without the shoulder pads. The shoulder pads are an important safety feature.

Positioning the child restraint

- 15 The easiest way to lift the Move into the vehicle is with its back first. Place the child restraint in the vehicle with the back of the restraint facing the front of the vehicle.
- 16 The heels (I) should be sitting over the edge of the vehicle seat. The indented vertical line (J) on the heel should align vertically with the end of the vehicle's seat. If installing in a small vehicle, or if your child does not require extra leg room, you can instead place the heel upon the vehicle's seat this will also achieve a more reclined position.

Note: When installing Move in the front seat it is possible, but not crucial, for the back of the restraint to have contact with the dashboard.

- 17 To adjust the angle of the child restraint, rotate block (G) into one of the two tilt positions. Always choose the most upright position as possible, however your child must be able to hold their head up on its own, and there should be enough recline to ensure your child's head does not fall forward when sleeping. The rule of thumb is that the older the child grows, the more upright the seat can be installed. Please note that once the installation of the Move is complete, it will be somewhat more reclined as it sinks into the vehicle's seat from tightening seat belts and tether straps.



Never install a child restraint in a passenger seat where an active airbag is fitted.



Fastening the vehicle seat belt

- 18 Open the belt lock-off clips (M) on both sides of the Move child restraint. Fully lengthen the seat belt until the lap section of the belt is at least 70-80cm (27-32 inches) long. Feed the seat belt through the seat belt slot (D), between the seat cover and seat body until the belt comes out through the seat belt slot on the other side. If you prefer, you can instead feed the seat belt through the seat belt slot (D), then over the top of the seat cover and then through the seat belt slot on the other side.
- 19 Insert the seat belt tongue into the vehicle's seat belt buckle. Pull the seat belt until all slack is removed along the seat belt route. Secure both the lap and shoulder belt in the lock-off closest to the vehicle's seat belt buckle.
- 20 In the lock-off on the opposite side, only the lap belt should be secured.

Attaching the tether straps

- 21 Unclip the tether straps from the child restraint.
- 22 Press the grey button (N) and pull the loop end out to maximise the length of the strap.
- 23 To attach the tether straps to an anchor point, wrap the strap around the chosen anchor point and pass the metal clip through the loop.
- 24 When installing the Move on a back seat, wrap the tether straps through either the rear of the front seat rails (i), or the hinge of the front seat (ii).
- 25 When installing the Move in the front passenger seat, the tether straps should be wrapped around the nearest suitable anchor point (i) that will allow the straps to be tightened fully. Anchor points set further back (ii) can be used and if need be the straps can be crossed over (iii) and even looped together (iv).
- 26 Reattach the metal clips to each side of the child restraint and pull the free ends of both tether straps until you have tensioned them. Pull each strap once again as hard as possible to ensure the child restraint is secured tightly.
- 27 Unfold the support leg (Q) out to its maximum angle. Press the leg extension button (R) and extend the support leg until it reaches the floor.
Note: The support leg belt may, but does not need, to be fully tensioned.
- 28 It is important that you check that the support leg is at an angle over 10° from the back of the seat. You could check this by ensuring that the support leg is further away from the seat than the vertical line.

29 Now firmly pull the straps on both sides of the seat to make sure that your seat is fully secured.

If you have installed Move in the back seat you can now move the front seat to a comfortable position.

Note: The back of the child restraint may, but does not need to be in contact with the back of the front seat.

Using the side impact protection pad

Although optional we **STRONGLY** advise using the side impact pad where possible to add extra protection from side collisions.

30 Locate the side impact pad connector (K) on the child seat nearest to the side of the vehicle (i.e. closest to the door).

IMPORTANT: Ensure the two triangular arrows (i) on the side impact pad (H) point in the same direction as the triangular arrow on the side impact pad connector (K).

Place the upper of the two oval openings on the underside of the side impact pad over the side impact pad connector. Push the side impact pad against the side of the car seat and slide the side impact pad upwards onto the side impact pad connector. You will feel a slight click as the side impact pad locks in place.

To remove: Push the side impact pad downwards and remove.

Placing your child in the seat

Before placing your child in the seat, ensure you have adjusted the headrest and harness to the correct height for your child (see steps 2 to 14)

31 Press the harness adjuster button (E) and pull forward on the shoulder straps (not the shoulder pads) to completely loosen the harness.

32 Press the red harness release button on the buckle and unfasten the harness.

33 Place your child in the car seat. Put your child's arms in between the shoulder straps so that the straps are hanging over the chest and stomach.

34 Pull the shoulder straps together and insert the harness tongues into the crotch buckle.

35 Pull the harness adjustment strap (F). It's important that you always pull the harness straight and central when you tighten the adjustment strap. Failure to pull the harness correctly may cause the strap to jam in the mechanism.

Removing the child restraint from the vehicle

WARNING: Never attempt to remove the child restraint whilst your child is still seated in it.

- 36 Open the belt lock-off clips (M) on both sides of the child restraint.
- 37 Release the vehicle's seat belt buckle (i) and completely remove the seat belt from the child restraint. Collapse the support leg (Q). Unhook the tether straps' (L) from the child restraint and remove the child restraint from the vehicle. Finally unwrap the tether straps from the vehicle's anchor points and then re-hook the straps on to the child restraint.

Removing and fitting the covers

WARNING: Never use the child restraint without its covers. The covers are an integral safety feature.

- 37 Unclip the tether straps from the child restraint and remove the side impact pad (H) if attached.
- 38 Press the harness adjuster button (E) and pull forward on the shoulder straps (not the shoulder pads) to completely loosen the harness.
- 39 Press the red harness release button on the buckle to unfasten the harness and remove the crotch pad.
- 40 Open the zipper on the back of the seat cover. Unhook the shoulder straps from the yoke (S) at the back of the child restraint.
- 41 Unfasten the Velcro® and detach the shoulder pads (B) on the back of the seat.
- 42 Pull the shoulder pad straps and shoulder straps out from the seat. Squeeze the plastic clip and gently pull the headrest free from the seat.
- 43 Unhook the elastic loops (i) on both sides of the head rest and remove the headrest cover.
- 44 Release and remove the plastic strip along the front of the child restraint. **IMPORTANT!** Ensure you pull the plastic strip and **DO NOT** pull the fabric. Store the plastic strip safely for when you need to fit the seat cover again. If you do lose the plastic strip you will need to contact your retailer for a replacement.
- 45 Unfasten all the press studs (i),(ii), (iii).
- 46 Carefully remove the seat cover from around the harness adjuster housing (i). Feed all straps through the slots in the seat cover and remove the cover.

To fit the cover, reverse the above steps ensuring the harness and shoulder pads are routed correctly (see steps 9-13 for details on attaching the headrest, harness and shoulder pads).

Care and maintenance

The seat cover can be removed and washed in a washing machine at 30° C on the "Gentle Cycle" programme. Do not put the cover in a dryer as this can damage the cover and the padding may separate from the fabric.

Visit www.axkid.com to find videos explaining how to remove and attach the cover.

Any plastic parts of Move can be cleaned with mild detergent and water. Do not use aggressive chemicals containing solvents etc, as this can cause damage to the plastic and compromise the safety of the child restraint.

All materials used in the Move child restraint are recyclable and should be recycled as per your local legislation. Ask your local recycling centre for advice when recycling this product.

Do not make any modifications or alterations to the Move child restraint other than those described in this instruction manual. Follow the instructions in this manual carefully. Any repairs must be carried out by the manufacturer or agent.

If the seat cover needs replacing ensure only original products from Axkid are used. If other products are used the Move's safety system may be compromised and could lead to severe injury or death in case of an accident.

All materials used have a very high UV-resistance rating. However, UV-light is very aggressive and will ultimately lead to fading of the seat cover. This is not covered by our warranty as it is considered normal wear and tear.

Warranty

The Move child restraint is covered by a 24 month warranty from date of purchase. Ensure you save your receipt and bring it to your place of purchase should you have any warranty issues.

The warranty does not cover:

* Normal wear and tear

* Damage due to incorrect use, neglect or accident

* If repairs have been carried out by a third party

Axkid Move

Contra a marcha 9-25 kg com cinto de segurança do veículo e cintas tethers

Manual de Instruções

Informação importante

Leia este manual de instruções antes de instalar o sistema de retenção infantil Move no seu veículo. Para mais informações e vídeos de montagem visite www.axkid.com.

Obrigado por escolher uma cadeira-auto Axkid. A nossa equipa tem mais de 30 anos de experiência combinada na segurança das crianças, e nós fizemos o nosso melhor para tornar a cadeira-auto Move o mais segura possível. O sistema de retenção infantil Move está aprovado segundo a norma ECE R44/04, a mais recente norma Europeia para a segurança infantil. Para maximizar a segurança do seu filho, é importante que tenha em mente o seguinte;

Leia este manual de instruções cuidadosamente antes de instalar o sistema de retenção infantil Move. Em caso de dúvida, entre em contacto com o seu revendedor que pode demonstrar uma instalação correta. Uma instalação incorreta pode colocar o seu filho em perigo.

Não use um sistema de retenção infantil num assento equipado com um airbag ativo. Se deseja instalar a Move nesse assento o airbag deve ser desligado numa oficina autorizada. Alguns veículos podem estar equipados com um botão que permite desligar manualmente o airbag. É importante verificar sempre se a luz indicadora do veículo mostra que o airbag está desligado.

Uma extensa pesquisa mostrou que o risco de ferimentos graves ou pior é cinco vezes maior para uma criança numa cadeira-auto no sentido da marcha, em comparação com um sistema de retenção contra a marcha. Com a Move o seu filho pode viajar voltado para trás até aos 25 kg.

Use sempre a perna de apoio quando instalar a cadeira-auto Move. A perna de apoio é uma característica de segurança muito importante, projetada para maximizar a segurança do seu filho em caso de acidente.

Em caso de acidente, não importa quão pequeno, o seu sistema de retenção infantil deve ser substituído. Ele pode ter algum dano indetetável e comprometer seriamente a segurança do seu filho. Por esta razão a Axkid não recomenda a compra de sistemas de retenção infantil em segunda mão.

Nunca deixe a criança sozinha no carro.

Certifique-se de que qualquer bagagem ou objetos soltos estão seguros no seu veículo, pois podem causar lesões aos passageiros em caso de colisão.

Guarde este manual de instruções no bolso designado (O) no assento do carro.

Conteúdo

O sistema de retenção infantil Move é adequado para utilização a partir dos seis meses de idade aproximadamente, ou a partir do momento em que o seu filho se senta sem apoio, até aos seis anos. Este sistema de retenção pode **APENAS** ser instalado contra a marcha.

Partes	12
Posições permitidas e não permitidas da cadeira-auto infantil	12-13
Contra a marcha 9-25kg com cinto de segurança do automóvel e cintas tethers	13-16
Esta posição pode ser usada para crianças que pesem entre 9-25 kg.	
Remover e posicionar as capas	17
Cuidado e Manutenção	18
Garantia	18

Partes

A	Apoio da Cabeça	K	Conector da Almofada de Impacto Lateral
B	Arnês Integrante	L	Alças Tether
C	Fivela do Arnês	M	Sistema de Trancar o Cinto
D	Ranhurinhas dos Cintos	N	Botão Cinzento
E	Botão de regulação do Arnês	O	Bolso para armazenamento do Manual de instruções
F	Alça de regulação do Arnês	P	Fecho
G	Bloqueador da Reclinação	Q	Suporte de pernas
H	Almofada de impacto lateral	R	Botão do entensor de pernas
I	Salto	S	União
J	Linha Vertical com reentrâncias		

Posições permitidas e não permitidas da cadeira-auto infantil

- 1 O sistema de retenção infantil pode ser usado em qualquer assento de passageiro no sentido da marcha com cinto de segurança de 3 pontos (i), desde que não haja um airbag ativo nesse lugar. O sistema de retenção infantil **não pode** ser utilizado com um cinto de segurança de 2 pontos (ii).

IMPORTANTE: Se deseja instalar a sua Move num assento com um airbag instalado, então o airbag deve ser desligado numa oficina autorizada. Alguns veículos podem estar equipados com um botão que permite desligar manualmente o airbag. É importante verificar sempre se a luz indicadora do veículo mostra que o airbag está desligado.

AVISO: Nunca use num assento com um airbag ativo.

AVISO: Nunca utilize em assentos do veículo virados para trás ou para o lado

AVISO: Os airbags são projetados para adultos e podem causar danos sérios ao seu filho num acidente

Posições permitidas e não permitidas da cadeira-auto infantil.

Assento do passageiro frontal (sem airbag ativo)	Sim
Assento do passageiro frontal (airbag ativo)	Não
Assento no sentido da marcha com cintos de segurança de 3-pontos	Sim
Assento com cintos de segurança de 2-pontos	Não
Assentos virados para o lado	Não
Assentos virados para trás	Não



Nunca utilize esta cadeira-auto num carro que não está equipado com um cinto de segurança de 3 pontos aprovado com a norma ECE Reg 16

Contra a marcha 9-25 kg com cinto de segurança e cintas tethers

Regulação do apoio da cabeça e da altura do arnês

- 2 Antes de instalar o sistema de retenção infantil certifique-se que o apoio de cabeça está na altura correta para a sua criança. O arnês, quando instalado corretamente, deve estar encaminhado desde as costas da cadeira para a frente e passar mesmo por cima dos ombros da criança.
- 3 No sentido de ajustar a altura do apoio de cabeça e do arnês primeiro necessita destacar o arnês. Pressione o botão de regulação do arnês (E) e puxe para a frente nas alças dos ombros (não nas almofadinhas dos ombros) para alargar completamente o arnês.
- 4 Abra o fecho (P) na parte de trás da capa da cadeira.
- 5 Desaperte o Velcro e solte as almofadinhas do ombro (B) na parte de trás da cadeira.
- 6 Solte o Velcro e desprendas as almofadas dos ombros (B) na parte de trás da cadeira.
- 7 Puxe as alças das almofadas dos ombros e as almofadas dos ombros da cadeira.
- 8 Aperte o clip de plástico e gentilmente solte o apoio de cabeça da cadeira.
- 9 Reposicione o apoio de cabeça numa das três alturas que melhor se adequa à sua criança. Empurre o botão do apoio de cabeça até que o clip de plástico fique preso no sítio.
- 10 Passe as alças do arnês (i) através das almofadas dos ombros (ii).

- 11 Passe as alças do arnês e alças das almofadas dos ombros através dos buracos no apoio de cabeça na parte de trás da cadeira assegurando-se que todas as alças estejam à mesma altura. Junte as duas alças das almofadas dos ombros usando o Velcro.
- 12 Volte a juntar as alças do arnês na união.
- 13 **IMPORTANTE!** Assegure-se que as alças do arnês passam através do mesmo buraco de posição de altura do apoio de cabeça e da cadeira. **IMPORTANTE!** Assegure-se que o arnês está posicionado entre a cadeira e o suporte de pernas. O arnês **NÃO PODE** passar sobre a barra horizontal do suporte de pernas (i).
- 14 Certifique-se que a altura está correta quando posiciona a criança na cadeira.

AVISO! Nunca use esta cadeira de criança sem as almofadas dos ombros. As almofadas dos ombros são uma característica de segurança importante.

Colocação do sistema de retenção infantil no veículo

- 15 A maneira mais fácil para colocar a Move no veículo é com a parte traseira primeiro. Coloque o sistema de retenção infantil no veículo com a parte de trás da cadeira voltada para a frente do veículo.
- 16 Os saltos (I) devem estar sobre a borda do assento do veículo. A linha vertical com reentrâncias (J) do salto deve alinhar verticalmente com a extremidade do assento do veículo. Se estiver a instalar a cadeira num veículo pequeno, ou se o seu filho não necessita de espaço para as pernas extra, pode colocar o salto sobre o banco do veículo, isto também vai conseguir uma posição mais inclinada.

Nota: Ao instalar a Move no banco da frente é possível, mas não fundamental, que a parte de trás da cadeira possa ter contacto com o painel.

- 17 Para ajustar o ângulo do sistema de retenção infantil, rode o bloqueador de rotação (G) para uma das duas posições de inclinação. Escolha sempre a posição mais vertical possível, no entanto a sua criança deve conseguir manter a cabeça para cima sozinha, e deve haver reclinção suficiente para garantir que a cabeça da criança não caia para a frente quando adormece. A regra geral é que quanto mais velha a criança, o mais vertical pode o assento ser instalado. Tenha em mente que uma vez que a instalação da Move esteja concluída, ela ficará um pouco mais inclinada, à medida que se afunda no banco do veículo pelo apertar dos cintos e das cintas tether.



Nunca instale um sistema de retenção infantil num assento de passageiro com um airbag ativo.



Fixação do cinto de segurança do veículo

18 Abra os clips de bloqueio dos cintos (M) em ambos os lados do sistema de retenção infantil Move. Alargue totalmente o cinto de segurança até que a parte do colo do cinto tenha pelo menos 70-80cm (27-32 polegadas) de comprimento. Passe o cinto através da ranhura do cinto de segurança (D), entre a capa da cadeira e o corpo da mesma até que a cinta saia através da ranhura do cinto de segurança, pelo outro lado. Se preferir, em vez disso pode alimentar o cinto de segurança através da ranhura do cinto de segurança (D), em seguida, sobre a parte superior da capa do cinto de segurança e, em seguida, através da ranhura do cinto de segurança, pelo outro lado.

Fixar as cintas tether

- 21 Solte as alças tether do sistema de retenção infantil.
- 22 Pressione o botão cinzento (N) e puxe o laço do fim para fora para maximizar o comprimento da alça.
- 23 Para fixar as alças tether ao ponto de ancoragem, coloque a alça em volta do ponto de ancoragem escolhido e passe o clip de metal pelo laço.
- 24 Quando instalar a Move no banco de trás, passe as alças tether através da parte de trás dos trilhos do banco da frente (i), ou da dobradiça do banco da frente (ii).
- 25 Quando instalar a Move no banco de passageiro da frente, as alças tether devem passar à volta do ponto de ancoragem mais próximo possível (i) o que permitirá que as alças fiquem completamente tensas. Os pontos de ancoragem posicionados mais atrás (ii) podem ser usados e se necessário as alças podem ser cruzadas (iii) e mesmo laçadas juntas (iv).
- 26 Volte a fixar os clips de metal em cada lado do sistema de retenção infantil e puxe as pontas soltas de ambas as alças tether até que estejam tensionadas. Puxe cada alça mais uma vez com a máxima força possível para assegurar que o sistema de retenção infantil esteja firmemente seguro.
- 27 Abra o apoio de pernas (Q) para fora para o seu ângulo máximo. Pressione o botão do extensor de pernas (R) e estique o apoio de pernas até que atinja o chão.
Nota: O cinto do apoio de pernas pode, mas não é preciso, estar tensionado ao máximo.
- 28 É importante verificar que a perna de suporte faz um ângulo de mais de 10 graus desde a parte de trás da cadeira. Pode-se verificar isso, garantindo que a perna de suporte está mais afastada da cadeira do que da linha vertical.
- 29 Agora puxe firmemente as alças em ambos os lados da cadeira para se assegurar que a sua cadeira está completamente segura.

Se tiver instalado a Move no banco de trás, pode agora mover o banco da frente para uma posição confortável.

Nota: A parte de trás do sistema de retenção infantil pode, mas não necessita estar em contacto com as costas do banco da frente.

Usando a almofada de proteção de impacto lateral

Apesar de opcional nós recomendamos **FORTEMENTE** o uso da almofada de impacto lateral sempre que possível para adicionar proteção extra para as colisões laterais.

- 30 Localize o conector da almofada de impacto lateral (K) do lado da cadeira mais perto do veículo (i.e. mais perto da porta)

IMPORTANTE: assegure-se que os dois aros triangulares (i) na almofada de impacto lateral (H) apontam para a mesma direção que o aro triangular no conector da almofada de impacto lateral (K).

Posicione a parte de cima das duas aberturas ovais na parte de baixo da almofada de impacto lateral sobre o conector da almofada de impacto lateral. Empurre a almofada de impacto lateral contra o lado da cadeira auto e deslize a almofada de impacto lateral para cima para o conector da almofada de impacto lateral. Sentirá um click suave quando a almofada de impacto lateral se prenda no sítio.

Para remover: Empurre a almofada de impacto lateral para baixo para remover.

Colocar a sua criança na cadeira

Antes de colocar a sua criança na cadeira, assegure-se que ajustou o apoio de cabeça e o amês na altura correta para o seu filho (veja os passos 2 ao 14)

- 31 Pressione o botão de regulação do amês (E) e puxe para a frente nas alças dos ombros (não nas almofadinhas dos ombros) para alargar completamente o amês.
- 32 Pressione o botão vermelho de libertação do amês na fivela e desaperte o amês.
- 33 Coloque a criança na cadeira-auto. Coloque os braços do seu filho entre as alças dos ombros de modo que as alças estejam sobre o peito e estômago.
- 34 Puxe as alças juntas e insira as línguas do amês na fivela, perto das virilhas.
- 35 Puxe a alça de regulação do amês (F). É importante que puxe sempre os cintos a direito e para o centro quando apertar a alça de regulação. Uma falha a puxar o amês corretamente pode causar a compressão da alça no mecanismo.

Remover o sistema de retenção infantil do veículo

ATENÇÃO: Nunca tente remover o sistema de retenção infantil enquanto a sua criança ainda estiver sentada nele.

- 36 Abra os clips de travão do cinto (M) em ambos os lados do sistema de retenção infantil. Solte o cinto da fivela do assento do veículo (i) e remova completamente o cinto do sistema de retenção infantil. Colapse a perna de apoio (Q). Solte as alças tether (L) do sistema de retenção infantil e remova o sistema de retenção infantil do veículo. Finalmente solte as alças tether dos pontos de ancoragem do veículo e depois volte a prender as alças ao sistema de retenção infantil.

Remover e posicionar as capas

AVISO: Nunca use o sistema de retenção infantil sem as suas capas. As capas são uma característica de segurança integrante.

- 37 Solte as alças tether do sistema de retenção infantil e remova a almofada de impacto lateral (H) se estiver presa.
- 38 Pressione o botão de regulação do arnês (E) e puxe para a frente nas alças dos ombros (não nas almofadinhas dos ombros) para alargar completamente o arnês.
- 39 Pressione o botão vermelho para soltar o arnês na fivela para soltar o arnês e remover a almofada das virilhas.
- 40 Abra o zip na parte de trás da capa da cadeira. Solte as alças dos ombros da união (S) na parte de trás do sistema de retenção infantil.
- 41 Solte o Velcro e desprenda as almofadas dos ombros (B) na parte de trás da cadeira.
- 42 Puxe as alças das almofadas dos ombros e as alças dos ombros para fora da cadeira. Pressione o clipe de plástico e gentilmente puxe o apoio de cabeça para fora da cadeira.
- 43 Solte os laços elásticos (i) em ambos os lados do apoio da cabeça e remova a capa do apoio de cabeça.
- 44 Solte e remova a fita de plástico através da parte da frente do sistema de retenção infantil. **IMPORTANTE!** Assegure-se que puxa a fita de plástico e **NÃO** puxe o tecido. Guarde a fita de plástico de forma segura para quando precisar de pôr a capa outra vez. Se perder a fita de plástico precisará de contactar a sua loja para uma substituição.
- 45 Desaperte todos os parafusos (i), (ii), (ii).
- 46 Cuidadosamente remova a capa da cadeira das casas do ajuste do arnês (i). Alimente todas as alças através das aberturas na capa da cadeira e remova a capa.

Para pôr a capa no sítio, faça o reverso dos passos em cima assegurando-se que o arnês e as almofadas de ombros estão posicionadas corretamente (veja passos 9-13 para detalhes como prender o apoio de cabeça, arnês e almofadas de ombros).

Cuidado e manutenção

A capa da cadeira pode ser removida e lavada na máquina de lavar a 30°C no programa "ciclo delicado". Não coloque a capa numa máquina de secar, porque pode danificar a capa e o enchimento pode separar-se do tecido.

Visite www.axkid.com para encontrar vídeos que explicam como remover e colocar a capa.

Todas as peças de plástico da Move podem ser limpas com detergente suave e água. Não utilize produtos químicos agressivos que contenham solventes, etc., pois isto pode danificar o plástico e comprometer a segurança do sistema de retenção infantil.

Todos os materiais utilizados no sistema de retenção Move são recicláveis e devem ser reciclados de acordo com sua legislação local. Pergunte no seu centro de reciclagem local para obter informações sobre a reciclagem deste produto.

Não faça quaisquer modificações ou alterações no sistema de retenção infantil Move além daqueles descritos neste manual de instruções. Siga as instruções deste manual cuidadosamente. Qualquer reparação deve ser realizada pelo fabricante ou agente.

Se as capas da cadeira tiverem de ser substituídas assegure-se que usa apenas produtos originais de Axkid. Se forem usados outros produtos a segurança da Move pode ser comprometida o que pode levar a ferimentos graves ou morte em caso de acidente.

Todos os materiais utilizados têm uma elevada classificação de resistência UV. No entanto, a luz UV é muito agressiva e acabará por levar ao desbotamento da capa da cadeira. Isso não é coberto pela nossa garantia, pois é considerado desgaste normal.

Garantia

O sistema de retenção infantil Move está coberto por uma garantia de 24 meses a partir da data de compra. Certifique-se que guarda o seu recibo e que o leva para o revendedor se tiver qualquer problema com garantia. A garantia não cobre:

* O desgaste normal

* Os danos causados por uso incorreto, negligência ou acidente

* No caso de reparação ter sido efetuada por um terceiro

Axkid Move

Rückwärtsgerichtet 9-25 kg mit Fahrzeuggurt und Spanngurt

Bedienungsanleitung

Wichtige Informationen

Lesen Sie diese Bedienungsanleitung vor Gebrauch sorgfältig durch und bewahren Sie diese für später auf. Für mehr Informationen und Anwendungsvideos besuchen Sie www.axkid.com oder www.vital-innovations.de.

Danke, dass Sie sich zu Kauf eines Axkid Kindersitzes entschieden haben. Unser Team hat eine über 30-jährige Erfahrung in Bezug auf Sicherheit von Kindern und wir haben unser Möglichstes getan, den Move Kindersitz so sicher wie möglich zu machen. Das Move Rückhaltesystem ist zugelassen nach ECE R44/04, den neusten europäischen Standards für Kindersicherheit. Um die maximale Sicherheit der Kinder zu gewährleisten, ist es wichtig, die folgenden Punkte zu beachten:

Lesen Sie diese Bedienungsanleitung vor dem Einbau des Move Kindersitzes sorgfältig durch. Im Zweifel kontaktieren Sie Ihren Händler, der Ihnen eine korrekte Montage demonstrieren kann. Eine fehlerhafte Montage kann Ihr Kind gefährden.

Verwenden Sie den Kindersitz nicht auf Sitzplätzen mit aktiven Airbags oder schalten Sie den Airbag entsprechend aus. Gegebenenfalls muss dies durch einen Service-Techniker durchgeführt werden. Bitte überprüfen Sie immer die Kontrollleuchte, die anzeigt, ob der Airbag ausgeschaltet ist.

Umfangreiche Forschungen haben ergeben, dass das Risiko für Kinder bei Verwendung von vorwärtsgerichteten Sitzen ernsthafte, schwere Verletzungen zu erleiden, fünfmal so hoch ist, wie bei rückwärtsgerichteten Sitzen!
Im Move-Kindersitz kann Ihr Kind bis zu 25 kg rückwärtsgerichtet reisen.

Verwenden Sie immer den Stützfuß beim Montieren des Move Sitzes. Der Stützfuß ist ein sehr wichtiges Sicherheitsmerkmal, das entwickelt wurde, um die Sicherheit des Kindes im Falle eines Unfalls zu erhöhen.

Nach einem Unfall sollte das Kinderrückhaltesystem, unbeachtet der Schwere des Unfalls, ersetzt werden. Es können nicht sichtbare Schäden entstanden sein und dadurch kann die Sicherheit des Kindes ernsthaft gefährdet werden. Axkid empfiehlt daher, kein gebrauchtes Kinderrückhaltesystem zu kaufen.

Lassen Sie Ihr Kind niemals unbeaufsichtigt im Auto.

Sichern Sie jegliches Gepäck in Ihrem Fahrzeug, da dies im Falle eines Zusammenstoßes Verletzungen verursachen kann.

Bewahren Sie diese Bedienungsanleitung in der dafür vorgesehenen Tasche (O) am Autositz auf.

Inhalte

Das Move Kinderrückhaltesystem ist geeignet für den Einsatz ab etwa sechs Monaten (sobald Ihr Kind selbständig sitzen kann) bis zu einem Alter von ca. sechs Jahren. Dieser Kindersitz kann ausschließlich rückwärtsgerichtet installiert werden.

Bestandteile des Sitzes	20
Erlaubte und unerlaubte Positionen des Kindersitzes	20-21
Rückwärtsgerichtetes Fahren, 9-25 kg mit Fahrzeuggurt und Spanngurt.	21-24
Dieser Aufbau kann für Kinder zwischen 9-25kg verwendet werden.	
Entfernen und Anbringen der Stoffbezüge	25
Pflege und Wartung	26
Garantie	26

Bestandteile des Sitzes

A	Kopfstütze	K	Konnektor für Seitenaufprallschutzpolster
B	Sicherheitsgurt des Kindersitzes	L	Spanngurte
C	Gurtschloss	M	Gurtklemme
D	Schlitz für Sicherheitsgurt	N	Grauer Knopf
E	Arretierungsknopf für 5-Punkt-Gurt	O	Tasche zum Verstauen der Bedienungsanleitung
F	Arretierungsgurt für 5-Punkt-Gurt	P	Reißverschluss
G	Verstellblock	Q	Stützfuß
H	Seitenaufprallschutzpolster	R	Knopf für Stützfußverlängerung
I	Absatz	S	Gurtverbinder aus Metall
J	Vertikale Einkerbung		

Erlaubte und unerlaubte Positionen des Kindersitzes

- 1** Das Kinderrückhaltesystem kann an jedem vorwärtsgerichtetem Beifahrersitz mit Dreipunktgurt benutzt werden, vorausgesetzt der Airbag ist ausgeschaltet. Das Rückhaltesystem kann **nicht** mit einem 2-Punkt Beckengurt benutzt werden (ii).

WICHTIG: Verwenden Sie den Kindersitz nicht auf Sitzplätzen mit aktiven Airbags oder schalten Sie die Airbags entsprechend vorher aus. Gegebenenfalls muss dies durch einen Service-Techniker durchgeführt werden. Bitte überprüfen Sie immer die Kontrollleuchte, die anzeigt, ob der Airbag ausgeschaltet ist.

WARNUNG: Verwenden Sie den Kindersitz niemals auf Sitzplätzen mit aktiven Airbags
WARNUNG: Verwenden Sie den Kindersitz niemals auf rückwärts- oder seitwärtsgerichteten Fahrzeugsitzen.

WARNUNG: Airbags wurden für Erwachsene entwickelt und können Ihr Kind bei einem Unfall ernsthaft verletzen.

Erlaubte und unerlaubte Positionen des Kindersitzes

Beifahrersitz (kein aktiver Airbag)	Ja
Beifahrersitz (aktiver Airbag)	NEIN
Vorwärtsgerichteter Sitz mit Drei-Punkt-Gurt	Ja
Sitz mit Zwei-Punkt-Gurt	NEIN
Seitlich gerichtete Sitze	NEIN
Rückwärtsgerichtete Sitze	NEIN



Benutzen Sie den Kindersitz niemals in einem Auto, welches nicht mit einem genehmigten ECE Reg 16 Drei-Punkt-Gurt ausgestattet ist.

Rückwärtsgerichtetes fahren, 9-25 kg mit Fahrzeuggurt und Spanngurt.

Einstellen der Kopfstütze und der Gurthöhe

- 2 Stellen Sie vor dem Einbau des Sitzes sicher, dass die Kopfstütze die richtige Höhe für Ihr Kind hat. Der Gurt sollte, wenn er richtig installiert ist, von der Rückseite des Sitzes nach vorne über die Schultern Ihres Kindes führen.
- 3 Damit die Höhe der Kopfstütze und des Gurtes verstellt werden kann, muss zunächst der Gurt gelöst werden. Drücken Sie den Arretierungsknopf für den Gurt (E) und ziehen Sie die Schultergurte (nicht die Schulterpolster) nach vorne, um den Gurt vollständig zu lösen.
- 4 Öffnen Sie den Reißverschluss (P) an der Rückseite des Sitzbezuges.
- 5 Entfernen Sie die Schultergurte von dem Gurtverbinder aus Metall (S) an der Rückseite des Sitzes
- 6 Öffnen Sie den Reißverschluss und entfernen Sie die Schulterpolster (B) an der Rückseite des Sitzes.
- 7 Ziehen Sie die Schulterpolstergurte und Schultergurte aus dem Sitz heraus.
- 8 Drücken Sie den Plastikclip und ziehen Sie vorsichtig an der Kopfstütze.
- 9 Wählen Sie die gewünschte Höhe der Kopfstütze aus einer der drei Positionen. Drücken Sie den Knopf der Kopfstütze bis der Plastikclip richtig einrastet.
- 10 Ziehen Sie die Gurte (i) durch die Schulterpolster (ii).
- 11 Fädeln Sie die Gurte und Schulterpolstergurte durch die Löcher in der Kopfstütze an der Rückseite des Sitzes, und stellen Sie sicher, dass alle Gurte auf gleicher Höhe sind. Verbinden Sie die beiden Schulterpolster mittels Reißverschluss.

12 Verbinden Sie die Gurte nun wieder mit dem Gurtverbinder aus Metall.

13 **WICHTIG!** Vergewissern Sie sich, dass die Gurte durch die gleiche Höhe der Löcher in der Kopfstütze und am Sitz geführt werden. **WICHTIG!** Stellen Sie sicher, dass der Gurt zwischen dem Sitz und dem Stützfuß verläuft. Der Gurt darf **NICHT** über die horizontale Stange des Stützfußes (I) geführt werden.

14 Setzen Sie Ihr Kind in den Sitz und prüfen Sie, ob die Höhe richtig eingestellt ist.

WARNUNG! Benutzen Sie diesen Kindersitz niemals ohne Schulterpolster. Die Schulterpolster sind ein wichtiger Bestandteil des Sicherheitssystems.

Einbau des Sitzes

15 Heben Sie den Move mit der Rückseite zuerst in das Fahrzeug. Platzieren Sie den Kindersitz so, dass dessen Rückseite zur Fahrtrichtung ausgerichtet ist.

16 Der Fußabsatz (I) sollte dabei über den Rand des Fahrzeugsitzes hinausragen. Die vertikale Einkerbung (J) am Fußabsatz sollte gleichmäßig zur Kante des Fahrzeugsitzes ausgerichtet sein. Beim Einbau in kleineren Fahrzeugen oder wenn Ihr Kind keine extra lange Beinfreiheit benötigt, können Sie den Fußabsatz auch auf den Fahrzeugsitz stellen.

Hinweis: Beim Befestigen des Move am Vordersitz kann die Rückseite des Kindersitzes das Armaturenbrett berühren, dies ist aber nicht zwingend erforderlich.

17 Zum Einstellen der Neigung bewegen Sie den Verstellblock (G) und wählen eine der zwei Neigungen aus. Wählen Sie einen möglichst aufrechten Winkel, wobei die Neigung so zu wählen ist, dass der Kopf des Kindes beim Schlafen nicht nach vorne fällt. Eine Daumenregel besagt, dass je älter die Kinder werden, desto aufrechter kann der Sitz eingestellt werden. Beachten Sie auch, dass sich der Kindersitz durch Festziehen der Gurte etwas nach unten in den Fahrzeugsitz neigt.



Verwenden Sie den Kindersitz niemals auf Sitzplätzen mit aktiven Airbags.



Befestigen des Sicherheitsgurtes

18 Öffnen Sie die Gurtklemme (M) an beiden Seiten des Minikid. Ziehen Sie den Sicherheitsgurt vollständig heraus bis der Beckengurt etwa 70-80 cm lang ist. Ziehen Sie den Gurt durch den Schlitz (D) unterhalb des Sitzpolsters bis der Gurt auf der anderen Seite wieder herauskommt. Wenn Sie möchten, können Sie den Gurt auch über das Polster spannen.

19 Stecken Sie den Sicherheitsgurt in das Gurtschloss und ziehen Sie den Gurt fest. Sichern Sie sowohl den Hüftgurt als auch den Schultergurt in der Gurtsperre am Gurtschloss möglichst eng am Autositz.

20 In der Gurtsperre auf der anderen Seite wird nur der Hüftgurt gesichert.

Anbringen der Spanngurte

- 21 Lösen Sie die Haltegurte von der Kinderrückhaltevorrichtung.
- 22 Drücken Sie den grauen Knopf (N) und ziehen Sie das Ende der Schlaufe heraus, um die Länge des Gurtes zu maximieren.
- 23 Um die Spanngurte an einem Verankerungspunkt zu befestigen, müssen Sie den Gurt um den gewünschten Verankerungspunkt wickeln und den Metallclip durch die Schlaufe führen.
- 24 Beim Einbau des Move auf dem Rücksitz können Sie die Spanngurte entweder an der Rückseite der vorderen Sitzschienen (i) oder am Scharnier des Vordersitzes (ii) befestigen.
- 25 Beim Einbau des Move auf dem Beifahrersitz sollten Sie Spanngurte am nächstmöglichen Verankerungspunkt (i) befestigt werden. Dadurch werden die Gurte vollständig gestrafft. Sie können auch an dem hinteren Verankerungspunkt (ii) befestigt werden, gekreuzt werden (iii) oder auch zusammengebunden werden (iv).
- 26 Befestigen Sie den Metallclip an jeder Seite des Sitzes und ziehen Sie an den Enden beider Gurtstraffer bis diese gut gespannt sind. Ziehen Sie erneut an beiden Gurten so fest wie möglich, um sicherzustellen, dass der Kindersitz richtig befestigt ist.
- 27 Neigen Sie den Stützfuß (Q) bis zu seinem maximalen Winkel. Drücken Sie den Knopf für die Stützfußverlängerung (R) und verlängern Sie den Stützfuß bis zum Boden. Hinweis: Der Gurt am Stützfuß kann aber muss nicht vollständig gespannt werden.
- 28 Prüfen Sie hierbei, ob der Stützfuß einen Winkel von mehr als 10° ausgehend von der Rückseite des Sitzes hat. Eindeutiges Zeichen dafür ist, wenn das Stützbein weiter vom Sitz weg platziert ist, als die vertikale Linie.
- 29 Ziehen Sie nun die Gurte an beiden Seiten des Sitzes fest, um sicherzustellen, dass der Sitz vollständig gesichert ist.

Wenn Sie den Move auf dem Rücksitz eingebaut haben, können Sie Ihren Vordersitz in eine komfortable Position einstellen.

Hinweis: Die Rückseite des Kindersitzes kann den Vordersitz berühren.

Verwendung des Seitenaufprallschutzpolsters

Obwohl optional, empfehlen wir **DRINGEND** überall dort, wo es möglich ist, das Seitenaufprallpolster zu verwenden, um zusätzlichen Schutz vor Seitenkollisionen zu bieten.

- 30 Bringen Sie den Konnektor für das Seitenaufprallschutzpolster (K) am Kindersitz so an, dass er sich an der nächstgelegenen Außenseite des Fahrzeugs befindet (d.h. zur nächstgelegenen Tür hin)

WICHTIG: Achten Sie darauf, dass die beiden dreieckigen Pfeile (i) am Seitenaufprallschutzpolster (H) in dieselbe Richtung zeigen wie der dreieckige Pfeil am Konnektor des Seitenaufprallschutzpolsters (K).

Legen Sie den Seitenaufprallschutz mit der Unterseite auf die Seitenfläche des Sitzes über den Seitenaufprallkonnektor. Drücken Sie das Seitenaufprallpolster gegen die Seite des Autositzes und schieben Sie das Seitenaufprallpolster nach oben auf den Seitenaufprallkonnektor. Sie hören ein leichtes Klicken, wenn das Seitenaufprallpolster einrastet.

Abnehmen: Schieben Sie das Seitenaufprallpolster nach unten und entfernen Sie dieses.

Befestigen des Kindes im Kindersitz

Bevor Sie das Kind im Kindersitz befestigen stellen Sie sicher, dass Sie die richtige Höhe der Kopfstütze und der Gurte eingestellt haben (siehe Schritte 2 bis 14)

- 31 Drücken Sie den Arretierungsknopf für 5-Punkt-Gurt (E) und ziehen Sie die Schultergurte (nicht die Schulterpolster) vorwärts, um den Gurt vollständig zu lösen.
- 32 Drücken Sie den roten Auslöseknopf am Gurtschloss und lösen Sie den Gurt.
- 33 Setzen Sie Ihr Kind in den Kindersitz. Legen Sie die Arme des Kindes zwischen die Schultergurte, sodass die Gurte über der Brust und dem Bauch des Kindes hängen.
- 34 Ziehen Sie die Schultergurte zusammen und stecken Sie diese in das Gurtschloss.
- 35 Ziehen Sie den Verstellgurt (F) an. Achten Sie darauf den Gurt immer gerade und zentral anzuziehen. Andernfalls kann dies Schäden am Mechanismus verursachen.

Entfernen des Sitzes aus dem Auto

WARNUNG: Entfernen Sie niemals den Sitz, während das Kind darin sitzt.

- 36 Öffnen Sie die Gurtklemme (M) an beiden Seiten des Sitzes. Lösen Sie das Gurtschloss des Fahrzeuggurtes (i) und entfernen Sie den Fahrzeuggurt vollständig vom Sitz. Lösen Sie den Stützfuß (Q). Lösen Sie die Spanngurte (L) vom Sitz und entfernen Sie diesen aus dem Fahrzeug. Entfernen Sie schließlich die Spanngurte von den Verankerungspunkten am Auto und haken Sie die Spanngurte wieder am Sitz ein.

Entfernen und Anbringen der Stoffbezüge

WARNUNG: Verwenden Sie den Kindersitz niemals ohne Stoffbezüge. Diese sind ein wesentliches Sicherheitsmerkmal.

- 37 Lösen Sie die Haltegurte von der Kinderrückhaltevorrichtung und entfernen Sie das Seitenaufprallschutzpolster (H), falls angebracht.
- 38 Drücken Sie den Arretierungsknopf für 5-Punkt-Gurt (E) und ziehen Sie die Schultergurte (nicht die Schulterpolster) vorwärts, um den Gurt vollständig zu lösen.
- 39 Drücken Sie den roten Auslöseknopf des Gurtes, um den Gurt zu lösen und das Schrittpolster zu entfernen.
- 40 Öffnen Sie den Reißverschluss und entfernen Sie die Schultergurte vom Gurtverbinder aus Metall (S) an der Rückseite des Sitzes.
- 41 Entfernen Sie die Schulterpolster (B) an der Seite des Sitzes.
- 42 Ziehen Sie die Schulterpolstergurte und Schultergurte aus dem Sitz heraus. Drücken Sie die Kunststoffklammer zusammen und ziehen Sie die Kopfstütze vorsichtig vom Sitz weg.
- 43 Lösen Sie die elastischen Schlaufen (i) an beiden Seiten der Kopfstütze und entfernen Sie die Kopfstützenabdeckung.
- 44 Lösen und entfernen Sie den Plastikstreifen entlang der Vorderseite des Kindersitzes. **WICHTIG!** Stellen Sie sicher, dass Sie nur den Plastikstreifen ziehen und nicht den Stoff. Bewahren Sie den Kunststoffstreifen sicher auf, damit Sie den Bezug wieder befestigen können. Sollten Sie den Plastikstreifen verlieren, kontaktieren Sie Ihren Händler wegen Ersatz.
- 45 Lösen Sie alle Druckknöpfe (i), (ii), (iii).
- 46 Entfernen Sie vorsichtig die Sitzabdeckung von dem Gurtverstellergehäuse (j). Führen Sie alle Gurte durch die Schlitz im Sitzbezug und entfernen Sie die Abdeckung.

Um den Stoffbezug wieder zu befestigen, gehen Sie in umgekehrter Reihenfolge vor und stellen Sie sicher, dass der Gurt und die Schulterpolster richtig angebracht sind (siehe Schritte 9-13 für Details zum Anbringen der Kopfstütze, des Gurtes und der Schulterpolster).

Pflege und Wartung

Der Sitzbezug ist abnehmbar und kann bei 30°C im Schonverfahren in der Waschmaschine gewaschen werden. Nicht geeignet für Trockner, dies kann den Bezug beschädigen. Videos zum Entfernen und Anbringen des Stoffbezuges finden Sie unter www.axkid.com oder unter www.vital-innovations.de

Jedes Plastikteil des Move kann mit einem milden Waschmittel und Wasser gereinigt werden. Verwenden Sie keine aggressiven Reiniger, die Lösungsmittel etc. enthalten. Dies kann zu Schäden führen und die Sicherheit des Kinderrückhaltesystems beeinträchtigen.

Alle Materialien, die im Move Rückhaltesystem verwendet werden, sind wiederverwendbar und sollten gemäß der örtlichen und nationalen Vorschriften entsorgt werden. Fragen Sie Ihr lokales Recycling-Unternehmen um Rat.

Führen Sie keine Veränderungen am Move Rückhaltesystem durch außer diejenigen, welche in dieser Bedienungsanleitung beschrieben. Befolgen Sie die Anleitungen sorgfältig. Jegliche Reparaturen müssen durch den Hersteller oder Händler durchgeführt werden.

Wenn der Sitzbezug ersetzt werden muss, stellen Sie sicher, dass nur Originalprodukte von Axkid verwendet werden. Falls andere Produkte benutzt werden, kann das Move Sicherheitssystem beeinträchtigt werden. Hierbei kann es im Falle eines Unfalls zu schweren Verletzungen oder zum Tod führen.

Alle verwendeten Materialien haben eine sehr hohe UV-Beständigkeit. Dennoch ist das UV-Licht sehr aggressiv und wird letztlich zum Verblässen des Sitzbezuges führen. Dies wird nicht durch unsere Garantie abgedeckt, da es sich hier um normale Abnutzung handelt.

Garantie

Für der Axkid Minikid gewähren wir eine 24-monatige Gewährleistung ab Kaufdatum. Achten Sie darauf, dass Sie Ihren Kassenbeleg aufbewahren, damit Sie diesen im Gewährleistungsfall am Kaufort vorlegen können.

Die Gewährleistung gilt nicht für:

*Normalen Verschleiß

*Beschädigung aufgrund von fehlerhafter Verwendung, Nachlässigkeit oder Unfall

* Nach Reparaturen durch Dritte

*Sämtliche verwendeten Materialien bieten eine sehr hohe UV-Beständigkeit. UV-Licht ist jedoch sehr aggressiv und führt letztlich zum Ausbleichen des Sitzbezugs. Dies gilt als normaler Verschleiß und fällt somit nicht unter unsere Gewährleistung.

Axkid Move

Bakåtvänd fäst med bilbälte och fästremmar 9-25 kg

Instruktionsbok

Viktig information

Läs denna instruktionsbok innan du monterar Move bilbarnstol i bilen. Mer information och monteringsfilmer finns på www.axkid.com,

Tack för att du valt en bilbarnstol från Axkid. Vårt team har över 30 års samlad erfarenhet inom barnsäkerhet, och vi har gjort vårt yttersta för att Move bilbarnstol ska bli så säker som möjligt. Move bilbarnstol är godkänd enligt ECE R44/04, den senaste europeiska teststandarden för barnsäkerhet. För maximal säkerhet för barnet är det viktigt att tänka på följande:

Läs instruktionerna noga innan du monterar Move bilbarnstol. Om du är osäker på om du gjort rätt, kontakta din återförsäljare som kan visa dig korrekt montering. Felaktig montering innebär fara för ditt barn.

Montera aldrig bilbarnstolen på ett säte med aktiv airbag. Om du ändå vill montera Move på platsen måste du koppla ur airbagen hos en auktoriserad verkstad. Vissa bilar har ett manuellt urkopplingsreglage för airbagen. Det är viktigt att kontrollera att indikeringslampan i bilen visar att airbagen är urkopplad.

Undersökningar har visat att risken för allvariga skador och dödsfall är fem gånger högre i en framåtvänd bilbarnstol jämfört med en bakåtvänd. Med Move kan barnet färdas bakåtvänt upp till 25 kg.

Använd alltid stödbenet när du monterar Move-stolen. Stödbenet är en mycket viktig säkerhetsdetalj som är utformad för att maximera barnets säkerhet vid en olycka.

Bilbarnstolen ska bytas ut om den varit med om en olycka, oavsett hur liten olyckan än är. Bilbarnstolen kan ha fått osynliga skador som allvarigt påverkar barnets säkerhet. Därför avråder Axkid alltid från att köpa en begagnad bilbarnstol.

Lämna aldrig barnet utan uppsikt i bilen.

Se till att eventuellt bagage och lösa föremål är ordentligt fästa i bilen eftersom de kan orsaka personskada vid en kollision.

Förvara instruktionsboken i förvaringsfickan (O) på bilbarnstolen.

Innehåll

Move bilbarnstol är lämplig att använda från ca sex månaders ålder, eller från det att barnet kan sitta själv utan stöd, och upp till sex år. Den här bilbarnstolen kan **ENDAST** monteras bakåtvänd.

Delar	28
Tillåten och otillåten placering av bilbarnstolen	28-29
Bakåtvänd med bilbälte och fästremmar 9-25 kg	29-32
Den här monteringen kan användas för barn som väger mellan 9 och 25 kg.	
Ta av och sätta tillbaka klädseln	33
Skötsel och underhåll	34
Garanti	34

Delar

A	Huvudstöd	K	Fäste för sidokrockskydd
B	Bilbarnstolens eget bälte	L	Fästremmar
C	Bältesspänne	M	Bältesklämmor
D	Öppning för säkerhetsbälte	N	Grå knapp
E	Justeringsknapp för bilbarnstolens bälte	O	Förvaringsficka för instruktionsbok
F	Justeringsrem för bilbarnstolens bälte	P	Dragkedja
G	Lutningsblock	Q	Stödben
H	Sidokrockskydd	R	Justeringsknapp för stödben
I	Klackar	S	Ok
J	Markerad lodlinje		

Tillåten och otillåten placering av bilbarnstolen

- 1** Bilbarnstolen kan användas på alla framåtvända passagerarsäten med trepunktsbälte (i), under förutsättning att sätet inte har någon aktiv airbag. Bilbarnstolen **får inte** användas tillsammans med tvåpunkts höftbälte (ii).

VIKTIGT! Om du vill använda Move bilbarnstol på en plats med airbag måste denna kopplas ur på en auktoriserad verkstad. Vissa bilar har ett manuellt urkopplingsreglage för airbagen. Det är viktigt att kontrollera att indikeringslampan i bilen visar att airbagen är urkopplad.

WARNING! Använd aldrig på ett säte med aktiv airbag

WARNING! Använd aldrig på bakåt- eller sidovända säten

WARNING! Airbagkuddar är utformade för vuxna och kan skada barn allvarligt vid krock

Främre passagerarsäte (ingen aktiv airbag)	Ja
Främre passagerarsäte (aktiv airbag)	NEJ
Framåtvänt säte med trepunktsbälte	Ja
Säte med tvåpunktsbälte	NEJ
Sidovänt säte	NEJ
Bakåtvänt säte	NEJ



Använd aldrig denna bilbarnstol i en bil som saknar trepunktsbälte godkänt enligt ECE Reglemente 16.

Bakåtvänd fäst med bilbälte och fästremmar 9-25 kg

Justera huvudstödet och bältets höjd

- Innan du monterar bilbarnstolen ska du se till att huvudstödet sitter i rätt höjd för barnet. När bilbarnstolens bälte sitter rätt ska det gå att dra från bilbarnstolens baksida till framsidan och passera precis ovanför barnets axlar.
- För att kunna justera huvudstödet och bältets höjd måste du först lossa bältet. Tryck på justeringsknappen för bilbarnstolens bälte (E) och dra fram axelremmarna (inte de vadderade axelskydden) maximalt.
- Öppna dragkedjan (P) på baksidan av bilbarnstolen.
- Lossa axelremmarna från oket (S) på baksidan av bilbarnstolen.
- Lossa kardborrebandet och lossa axelskydden (B) på baksidan av stolen.
- Dra ut axelskydden och axelremmarna från stolen.
- Tryck ihop plastclipset och dra försiktigt huvudstödet upp från bilbarnstolen.
- Flytta huvudstödet till den av de tre höjderna som bäst passar ditt barn. Tryck nedtill på huvudstödet tills plastclipset låser fast.
- För in bältesremmarna (i) genom axelskydden (ii).

- 11 Trä bältesremmarna och axelskyddet genom hålen i huvudstödet så att de kommer ut på baksidan av stolen och se till att alla remmar sitter i samma höjd. Fäst axelskyddets remmar med kardborrebanden.
- 12 Sätt tillbaka bilbarnstolens bältesremmar i oket.
- 13 **VIKTIGT!** Kontrollera att hålen som bältesremmarna passerar genom sitter i samma höjd på huvudstödet och bilbarnstolen. **VIKTIGT!** Kontrollera att bilbarnstolens bälte har dragits mellan stolen och stödbenet. Bältet **FÅR INTE** sitta över stödbenets horisontella stång (i).
- 14 Kontrollera att höjden är rätt genom att placera barnet i bilbarnstolen.

Varning! Använd ej bilbarnstolen utan axelremmarna. Axelremmarna är viktiga ur säkerhetssynpunkt.

Placera bilbarnstolen

- 15 Move lyfts enklast in i bilen med ryggen först. Placera bilbarnstolen i bilen så att ryggen pekar framåt i bilens färdriktning.
- 16 Klackarna (I) ska sitta över kanten på bilsätet. Markeringen (J) på klacken ska vara lodrätt i linje med kanten på bilsätet. Om du har en liten bil eller om barnet inte behöver extra benutrymme, kan du istället ställa bilbarnstolen med klacken uppe på bilsätet och på så sätt också få en mer tillbakalutad vinkel.

Obs! Vid montering i framsätet kan bilbarnstolens ryggstöd ha kontakt med instrumentbrädan, men det är inte nödvändigt.

- 17 Justera bilbarnstolens lutningsvinkel genom att vrida blocket (G) till någon av de båda lutningsvinklarna. Välj alltid en så upprätt vinkel som möjligt. Barnet ska dock kunna hålla uppe sitt huvud själv, och huvudet ska inte hänga framåt om barnet sover. Tumregeln är att ju äldre barnet blir desto mer upprätt kan du sätta stolen. Tänk också på att stolen kommer att luta något mer bakåt när säkerhetsbältena och fästremmarna spänns och den sjunker ner i sätet.



Montera aldrig bilbarnstolen på ett säte där det finns en aktiv airbag.



Fästa bilbältet

- 18 Öppna båda bältesklämmorna (M) på bilbarnstolen. Dra ut bilbältet så att höftdelen är minst 70 till 80 centimeter lång. För in bältet genom öppningen (D) och för det under klädseln tills det kommer ut genom öppningen på andra sidan. Om du vill kan du istället föra in bältet genom öppningen (D) sedan dra bältet över klädseln och föra in det genom öppningen på andra sidan.
- 19 För in bältesspannet i bälteslåset. Dra åt säkerhetsbältet tills det är helt spänt överallt. Fäst både höft- och axeldelen i bältesklämman som sitter närmast bälteslåset.

20 Ibältesklämman på andra sidan ska endast höftdelen fästas.

Fästa fästremmarna

21 Lossa fästremmarna från bilbarnstolen.

22 Tryck på den grå knappen (N) och dra ut änden med öglan så långt som möjligt

23 Fäst fästremmarna i en förankringspunkt genom att vira remmen runt den valda förankringspunkten och sedan föra metallclipset genom öglan.

24 Om stolen monteras i baksätet: vira fästremmarna runt den bakre delen av framsätets skenor (i) eller framsätets fästpunkt (ii).

25 Om stolen monteras i det främre passagerarsätet: fästremmarna ska viras runt närmast lämpliga förankringspunkt (i) som gör det möjligt att sträcka remmarna helt. Förankringspunkter placerade längre bak (ii) kan användas och vid behov kan remmarna korsas (iii) eller till och med viras samman (iv).

26 Sätt tillbaka metallclipsen på båda sidor om bilbarnstolen och dra i fästremmarnas fria ändar tills du har spänt dem. Dra en gång till i varje rem så hårt du kan för att säkerställa att bilbarnstolen sitter fast ordentligt.

27 Fäll ut stödbenet (Q) till dess yttersta läge. Dra ut den övre spärren (R) och dra ner benet tills det får kontakt med bilens golv. Om stödbenet inte når ned till golvet, upprepa med den nedre spärren (S).

28 Det är viktigt att kontrollera stödbenets vinkel, det ska alltid ha minst 10 graders vinkel ut från stolsryggen. Du kontrollerar detta genom att se till att stödbenet befinner sig utanför stolens lodlinje.

29 Dra nu hårt i remmarna på båda sidor om stolen för att se till att bilbarnstolen sitter fast ordentligt.

Om bilbarnstolen är monterad i bilens baksäte kan bilens framsäte nu flyttas till ett bekvämt läge.

Obs! Bilbarnstolens rygg kan, men måste inte, ha kontakt med det framförvarande ryggstödet.

Använda sidokrockskyddet

Även om det är frivilligt att använda sidokrockskyddet, rekommenderar vi **STARKT** att det används för att ge extra skydd vid en sidokrock.

30 Leta upp sidokrockskyddets fäste (K) på den sida av bilbarnstolen som är närmast bildörren.

VIKTIGT! Kontrollera att de trekantiga pilarna (i) på sidokrockskyddet pekar i samma riktning som den trekantiga pilen på sidokrockskyddets fäste (K).

Placera den övre av de två ovala öppningarna som sitter nedtill på sidokrockskyddet över fästet. Tryck sidokrockskyddet mot bilbarnstolen och för det uppåt på fästet. Det hörs ett klickljud när sidokrockskyddet låser fast.

Ta bort: Tryck sidokrockskyddet nedåt och lyft bort det.

Placera barnet i bilbarnstolen

Innan barnet sätts i bilbarnstolen: kontrollera att du har justerat huvudstödet och bilbarnstolens bälte så att de har korrekt höjd för barnet (se steg 2 till 14)

31 Tryck på justeringsknappen för bilbarnstolens bälte (E) och dra fram axelremmarna (inte de vadderade axelskydden) maximalt.

32 Tryck på spännets röda frisläppningsknapp och lossa bilbarnstolens bilbälte.

33 Sätt barnet i bilbarnstolen. För in barnets armar under axelremmarna så att axelremmarna hänger över bröstet och magen.

34 För samman axelremmarna och för in bältesändarna i bälteslåset mellan barnets ben.

35 Dra åt justeringsremmen för bilbarnstolens bälte (F). Det är viktigt att du alltid drar åt bilbarnstolens bälte rakt framifrån och centrerat. Om du inte drar korrekt kan remmen blockera mekanismen.

Lyfta ut bilbarnstolen ur bilen

WARNING! Försök aldrig flytta bilbarnstolen när barnet sitter i den.

36 Öppna bältesklämmorna (M) på båda sidor om bilbarnstolen.

Lossa bilbältets spänne (i) och lossa bilbältet helt från bilbarnstolen. Fäll tillbaka stödbenet (Q).

Lossa fästremmarna (L) från bilbarnstolen och lyft ut den ur bilen. Lossa slutligen fästremmarna från förankringspunkterna och sätt tillbaka remmarna på bilbarnstolen.

Ta av och sätta tillbaka klädseln

VARNING! Använd aldrig bilbarnstolen utan klädseln. Klädseln är en del av stolens säkerhetsfunktion.

- 37 Lossa fästremmarna från bilbarnstolen och lossa sidokrockskyddet (H) om det är monterat på stolen.
- 38 Tryck på justeringsknappen för bilbarnstolens bälte (E) och dra fram axelremmarna (inte de vadderade axelskydden) maximalt.
- 39 Tryck på bältesremmarnas röda frisläppningsknapp för att lossa bältet och ta av grenskyddet.
- 40 Dra upp dragkedjan på baksidan av bilbarnstolen. Lossa axelremmarna från oket (S) på baksidan av bilbarnstolen.
- 41 Lossa kardborrebandet och lossa axelskydden (B) på baksidan av stolen.
- 42 Dra ut axelskydden och axelremmarna från stolen. Tryck ihop plastclipset och dra försiktigt upp huvudstödet från bilbarnstolen.
- 43 Lossa de elastiska öglorna (i) på båda sidor av huvudstödet och ta av klädseln.
- 44 Lossa och ta av plastbandet som sitter längs framsidan av bilbarnstolen. **VIKTIGT!** Se till att du drar i plastbandet och **INTE** i tyget. Förvara plastbandet på ett säkert ställe tills du ska sätta tillbaka klädseln igen. Om du tappar bort plastbandet måste du kontakta återförsäljaren för att köpa ett nytt.
- 45 Lossa alla tryckknappar (i), (ii), (iii).
- 46 Lyft försiktigt av klädseln runt bältesremmarnas fästen (i). För igenom alla remmar genom hålen i klädseln och lyft av klädseln.

Sätt tillbaka klädseln genom att följa anvisningarna i omvänd ordning, och kontrollera noga att bältesremmarna och axelskydden sitter korrekt och är korrekt dragna (se steg 9-13 för information om hur du fäster huvudstödet, bältet och axelskydden).

Skötsel och underhåll

Barnstolens klädsel kan tas av och tvättas i maskin på 30 °C handtvättsprogram. Torka inte i torktumlare, det kan skada klädseln och vadderingen kan lossna från tyget.

På www.axkid.com finns filmer som visar hur man tar av och sätter tillbaka klädseln.

Bilbarnstolens plastdelar kan rengöras med mildt rengöringsmedel och vatten. Använd inte starka kemikalier som innehåller lösningsmedel och liknande, eftersom det kan skada plasten och försämra bilbarnstolens säkerhet.

Alla material som använts i Move bilbarnstol är återvinningsbara och ska återvinnas i enlighet med lokala bestämmelser. Fråga din kommun om du är osäker på hur du ska återvinna produkten.

Gör inga egna reparationer eller ändringar utöver de som redovisas här. Följ anvisningarna i instruktionsboken noggrant. Eventuella reparationer måste utföras av tillverkaren eller dess agent.

Om klädseln behöver bytas ut, använd endast originalprodukter från Axkid. Om andra produkter används äventyras Move säkerhetssystem, vilket kan orsaka allvarlig personskada eller dödsfall vid en olycka.

Alla material har hög motståndskraft mot UV-strålning. UV-strålning från solen är emellertid mycket stark och gör att tyget bleks. Detta omfattas inte av garantin utan anses vara normalt slitage.

Garanti

Move bilbarnstol omfattas av en 24 månaders garanti från inköpsdatumet. Spara alltid kvittot och ta med det till återförsäljaren vid eventuell reklamation. Garantin täcker inte:

* Normalt slitage

* Skada till följd av felaktig användning, försummelse eller olycka

* Reparationer som utförts av tredje part

Axkid Move

Vzratni sedež 9-25 kg z varnostnim pasom vozila in pritrilnimi trakovi

Pomembne informacije

Pomembne informacije

Pred namestitvijo otroškega avtosedeža Move v vaše vozilo preberite ta navodila za uporabo. Za več informacij in ogled videoposnetkov namestitve obiščite www.axkid.com.

Zahvaljujemo se vam za izbiro otroškega avtosedeža Axkid. Naša ekipa ima več kot 30 let izkušenj na področju varnosti otrok v avtomobilu, tako da smo storili vse, da je avtosedež Move čim varnejši. Avtosedež Move je testiran po standardu ECE R44/04, kar je zadnji evropski standard za varnost otrok. Za najvišjo varnost vaših otrok pa je pomembno, da imate v mislih naslednje:

Pred namestitvijo otroškega avtosedeža Move natančno preberite ta navodila za uporabo. V primeru nejasnosti kontaktirajte svojega prodajalca, ki vam lahko prikaže pravilno namestitev. Nepravilna namestitev lahko ogrozi vašega otroka.

Nikoli ne namestite otroškega avtosedeža na mesto, kjer je nameščena aktivna zračna blazina. Če želite Move namestiti na takšno mesto, izklopite zračno blazino na pooblaščenem servisnem centru. Nekatera vozila so lahko opremljena s stikalom, ki vam omogoča ročni izklop zračne blazine. Pomembno je, da vedno preverite ali je zračna blazina v avtu izklopljena.

Obsežne raziskave so pokazale, da je tveganje resnih ali usodnih poškodb za mlajše otroke petkrat večje pri naprej obrnjenem sedežu v primerjavi z vzratnim. V sedežu Move lahko vaš otrok potuje vzratno do teže 25 kg.

Pri namestitvi sedeža Move vedno uporabite podporno nogo. Podporna noga je zelo pomembna, saj je zasnovana za povečanje otrokove varnosti v primeru nesreče.

V primeru, da bi bili vključeni v prometni nesreči, ne glede na to, kako majhni, vedno zamenjajte avtosedež. Avtosedež je lahko utrpel majhne ali na prvi pogled neopazne poškodbe, ki pa lahko močno vplivajo na varnost vašega otroka. Zato tudi Axkid ne priporoča nakupa rabljenega avtosedeža.

Nikoli ne puščajte otroka v avtu brez nadzora.

Prepričajte se, da so prtljaga ali drugi predmeti v vozilu pritrjeni, saj lahko povzročijo poškodbe potnikov v primeru nesreče.

Ta navodila shranite v za to namenjen žep (O) na sedežu.

Vsebina

Otroški avtosedež Move je primeren za otroke po približno šestih mesecih starosti ali od takrat, ko lahko vaš otrok samostojno sedi, pa vse do šestih let starosti. Ta otroški avtosedež se lahko namesti **SAMO** vzratno.

Deli	36
Dovoljena in nedovoljena namestitvev otroškega avtosedeža	36-37
Vzratni sedež 9-25kg z varnostnim pasom vozila in pritrilnimi trakovi	37-40
Ta model se lahko uporablja za otroke, ki tehtajo med 9-25 kg.	
Odstranjevanje in nameščanje prevlek	40-41
Skrb in vzdrževanje	42
Garancija	42

Deli

A	Naslonjalo za glavo	K	Pritrditev stranskega oblaginjenja
B	Notranji pas	L	Pritrdilni trakovi
C	Zaponka pasu	M	Zaponka pasu
D	Vodilo za varnostni pas	N	Sivi gumb
E	Gumb za nastavitev pasu	O	Žep za shranjevanje navodil za uporabo
F	Trak za nastavitev pasu	P	Zadrga
G	Blokada naklona	Q	Podporna noga
H	Stransko oblaginjenje	R	Gumb za nastavitev podpore za noge
I	Pete	S	Zaponka
J	Vdrta navpična linija		

Dovoljena in nedovoljena namestitvev otroškega avtosedeža

- 1** Otroški avtosedež se lahko uporablja na katerem koli naprej obrnjenem potniškem sedežu s 3-točkovnim varnostnim pasom (i), če le tam ni nameščene aktivne zračne blazine. Otroškega avtosedeža se ne sme uporabljati z 2-točkovnim pasom v trebušnem delu (ii).

POMEMBNO: Če želite namestiti Move na mestu, kjer je nameščena zračna blazina, potem je zračno blazino potrebno izklopiti pri pooblaščenem servisnem centru. Nekatera vozila so opremljena s stikalom, ki vam omogoča ročni izklop zračne blazine. Pomembno je, da vedno preberite, če indikacijska lučka kaže, da je zračna blazina izklopljena.

OPOZORILO: Nikoli ne uporabljajte na sedežu z aktivno zračno blazino

OPOZORILO: Nikoli ne uporabljajte na vzratnih ali v stran obrnjenih sedežih vozila

OPOZORILO: Zračne blazine so zasnovane za odrasle in lahko resno poškodujejo vašega otroka v primeru nesreče

Dovoljena in nedovoljena namestitvev otroškega avtosedeža.

Sprednji potniški sedež (brez aktivne zračne blazine)	Da
Sprednji potniški sedež (aktivna zračna blazina)	NE
Naprej obrnjen sedež s 3-točkovnim varnostnim pasom	Da
Sedež z 2-točkovnim varnostnim pasom	NE
V stran obrnjeni sedeži	NE
Vzratno obrnjeni sedeži	NE



Tega otroškega sedeža nikoli ne uporabljajte v avtu, ki ni opremljen z ECE Reg 16 odobrenim 3-točkovnim varnostnim pasom.

Vzratni sedež 9-25 kg z varnostnim pasom & pritrdilnimi trakovi

Nastavitev naslonjala za glavo in višine pasu

- 2 Pred namestitvijo otroškega avtosedeža se prepričajte, da je naslonjalo za glavo nastavljeno na ustrezno višino za vašega otroka. Pas, ko je ustrezno nameščen, mora priti izza sedeža naprej in iti tik nad otrokovimi rameni.
- 3 Za nastavitev višine naslonjala in pasu je najprej potrebno odpeti pas. Pritisnite na gumb za nastavitev pasu (E) in povlecite ramenske trakove naprej (ne ramenskih blazinic), da popolnoma sprostite pas.
- 4 Odprite zadrgo (P) na zadnjem delu prevleke sedeža.
- 5 Odstranite naramne pasove iz jermena (S) na hrbtni strani varnostnega pasu za otroke.
- 6 Odprite Velcro® in odstranite ramenske blazine (B) na hrbtni strani sedeža.
- 7 Potegnite trakove oblažinja za ramena in naramne pasove iz sedeža.
- 8 Stisnite plastično zaponko in nežno povlecite naslonjalo za glavo stran od sedeža.
- 9 Namestite naslonjalo na eno izmed treh višin, ki najbolj ustreza vašemu otroku. Pritisnite dno naslonjala dokler se plastična zaponke ne zatakne na svoje mesto.
- 10 Napeljite varnostne pasove (i) skozi oblažjenje za ramena (ii).
- 11 Namestite trakove varnostnega pasu in ramenske trakove skozi odprtine v naslonjalu za glavo na hrbtnem delu sedeža, pri čemer morajo biti vsi pasovi na isti višini. Povežite ramenska pasova s pomočjo Velcro®.

12 Ponovno napeljite ramenske pasove skozi jermen.

13 **POMEMBNO!** Poskrbite, da bodo pasovi napeljeni skozi iste višine luknje na naslonu za glavo in sedežu.
POMEMBNO! Prepričajte se, da je pas napeljan med sedežem in podporno nogo. Pas **NE SME** potekati preko vodoravnega droga podporne noge (i).

14 Namestite svojega otroka v sedež, da se prepričate, da je višina ustrezna.

OPOZORILO: Otroški sedež nikoli ne uporabljajte brez zaščitnih ramenskih blazinic. Zaščitne ramenske blazinice so zelo pomemben varnostni element.

Namestitev otroškega avtosedeža

15 Najlažji način dviga sedeža Move v vozilo je z njegovih zadnjim delom naprej. Postavite otroški avtosedež v vozilo z zadnjim delom sedeža obrnjenim proti sprednjemu delu vozila.

16 Pete (I) morajo ležati preko roba sedeža vozila. Vdrta navpična linija (J) na peti mora biti navpično poravnana s koncem sedeža vozila. Če ga nameščate v manjše vozilo ali če vaš otrok ne potrebuje dodatnega prostora za noge, lahko namesto tega pete postavite na sedež vozila. Tako boste dobili tudi bolj nagnjen položaj.

Opomba: Pri nameščanju sedeža Move na sprednji sedež je možno, vendar ne ključno, da se zadnji del sedeža dotika armaturne plošče.

17 Za nastavitev kota otroškega avtosedeža obrnite blokado (G) v enega izmed dveh položajev nagiba. Vedno izberite najbolj pokončen možen položaj, vendar pa mora biti dovoljšen nagib, da otrokova glava ne pade naprej, ko ta zaspi. Ravnajte se po pravilu, da starejši kot je otrok, bolj pokončen sedež lahko namestite.

Vedite, da ko je enkrat namestitev sedeža Move končana, bo ta še nekoliko bolj nagnjen, ko se stisne v sedež vozila zaradi pričvrstitve varnostnih pasov in pritrilnih trakov.



Otroškega avtosedeža nikoli ne namestite na potniški sedež, kjer je nameščena aktivna zračna blazina.



Pritrjevanje varnostnega pasu vozila

18 Odprite zaponke pasu (M) na obeh straneh otroškega avtosedeža Move. Do konca iztegnite varnostni pas dokler ni del čez trebuh dolg najmanj 70-80cm (27-32 inches). Povlecite varnostni pas skozi odprtino za varnostni pas (D), med prevleko sedeža in sedežem, dokler pas ne pride ven skozi odprtino za pas na drugi strani sedeža. Če želite, lahko namesto tega pas povlečete skozi odprtino za varnostni pas (D), nato preko vrha prevleke sedeža in nato preko odprtine za pas na drugi strani.

19 Vstavite jezik pasu v zaponko varnostnega pasu vozila. Povlecite varnostni pas dokler ne odpravite ohlapnost po vsej dolžini pasu. Pričvrstite tako trebušni kot ramenski del pasu v zaklep ki je najbližje zaklepu varnostnega pasu vozila.

20 V zaklepu na nasprotni strani je potrebno pričvrstiti le trebušni del pasu.

Nameščanje pritrilnih pasov

- 21 Odstranite trakove iz varnostnega sistema za otroke.
- 22 Pritisnite siv gumb (N) in potegnite konec zanke, da povečate dolžino traku.
- 23 Za pritrilitev pritrilnih pasov na pritrilna usešča jih ovijte okoli izbranega usešča in vstavite kovinsko zaponko skozi zanko.
- 24 Za namestitev sedeža Move na zadnji sedež povlecite konec pritrilvenega dela z zaponko skozi zadnji del vodil sprednjih sedežev (i) ali tečaj sprednjega sedeža (ii).
- 25 Pri nameščanju sedeža Move na sprednji potniški sedež je potrebno pritrilne pasove oviti okrog najbližje primerne točke (i), ki bo omogočala popolno zategnitev pasov. Uporabi se lahko pritrilne točke bolj nazaj (ii) in če je potrebno, lahko pasove prekrizate (iii) in celo zavezete skupaj (iv).
- 26 Ponovno pritrilite kovinske zaponke na vsako stran otroškega avtosedeža in povlecite proste dele obeh pritrilnih pasov dokler jih ne napnete. Povlecite vsak pas še enkrat kolikor močno se da, da zagotovite čvrsto pritrjenost otroškega avtosedeža.
- 27 Izvlecite podporno nogo (Q) do njenega maksimalnega naklona. Pritisnite gumb za podaljšanje noge (R) in podaljšajte podporno nogo, dokler ne doseže tal.
Opomba: Pas podporne noge je lahko popolnoma napet, vendar to ni nujno.
- 28 Opomba: Pas pasu je lahko, vendar ga ni potrebno, da se popolnoma napenja.
- 29 Zdaj pa močno povlecite pasova na obeh straneh, da se prepričate, da je sedež popolnoma pritrjen.
Če ste namestili sedež Move na zadnji sedež, lahko zdaj premaknete sprednji sedež v udobnejši položaj.

Opomba: Zadnji del otroškega avtosedeža je lahko v stiku z zadnjim delom sprednjega sedeža, vendar to ni potrebno.

Uporaba bočne zaščitne blazine

Čeprav je neobvezno, močno priporočamo uporabo bočne blazine, kadar je mogoče, da poskrbite za dodatno zaščito pred stranskimi trki.

- 30 Poiščite priključek za bočno zaščitno blazino (K) na otroškem sedežu, ki je najbližje bočni strani vozila (to je najbližje vratom).

POMEMBNO: Prepričajte se, da sta dve trikotni puščici (I) na bočni zaščitni blazini (H) v isti smeri kot trikotna puščica na priključku bočne zaščitne blazine (K).

Položite zgornji dve ovalni odprtini na spodnji strani bočne zaščitne blazine preko priključka bočne blazine. Potisnite blazino na stran avtomobilskega sedeža, ter jo namestite na priključek bočne zaščitne blazine. Začutili boste rahel klik, ko se bo bočna blazina pritrdila.

Za odstranitev: Bočno zaščitno blazino potisnite navzdol in odstranite.

Pripenjanje otroka v sedež

Pred namestitvijo otroka v sedež se prepričajte, da sta naslonjalo za glavo in pas na ustrezni višini (glejte korake 2 do 14)

- 31 Pritisnite gumb za nastavev pasu (E) in povlecite ramenske trakove naprej (ne ramenskih blazinic) da popolnoma sprostite pas.
- 32 Pritisnite rdeč gumb za sprostitev pasu na zaponki in odprite pas.
- 33 Postavite otroka v avtosedež. Otrokove roke postavite med ramenske trakove, tako da ti visijo preko prsnega dela in trebuha.
- 34 Povlecite ramenske trakove skupaj in vstavite jezičke pasov v zaponko med nogama otroka.
- 35 Povlecite trak za nastavev pasu (F). Pomembno je da pri zategovanju nastavitvenega pasu tega vedno povlečete naravnost in proti sredini. Če pasu ne zategnete pravilno, se lahko ta zatakne v mehanizmu.

Odstranjanje otroškega avtosedeža iz vozila

OPOZORILO: Nikoli ne odstranjajte avtosedeža dokler vaš otrok še vedno sedi v njem.

- 36 Odprite zaponke pasu (M) na obeh straneh otroškega avtosedeža. Sprostite zaponko varnostnega pasu vozila (i) in popolnoma odstranite varnostni pas iz otroškega avtosedeža. Podrite podporno nogo (Q). Odtaknite pritrdilne pasove (L) z otroškega avtosedeža in ga nato odstranite iz vozila. Na koncu odvijte pritrdilne pasove s pritrdilnih ušesc v vozilu in ponovno zatakните pasove na otroški avtosedež.

Odstranjanje in nameščanje prevlek

OPOZORILO: Nikoli ne uporabljajte varnostnega sistema za otroke brez prevlek. Prevleke so sestavni varnostni element.

- 37 Odprite trakove iz varnostnega sistema za otroke in odstranite stransko blazino (H), če je pritrdjena.
- 38 Pritisnite gumb za nastavev pasu (E) in povlecite ramenske trakove naprej (ne ramenskih blazinic), da popolnoma sprostite pas.
- 39 Pritisnite gumb za sprostitev rdečega pasu na zaponki, da odstranite pasove in medhožno blazino.

- 40 Odprite zadrگو na hrbtني strani pokrivala sedeža. Odstranite ramenske pasove iz jermena (S) na hrbtني strani varnostnega sistema za otroke.
- 41 Odprite Velcro® in odstranite ramenske blazine (B) na hrbtني strani sedeža.
- 42 Potegnite pasove oblaزينjenja in ramenske pasove iz sedeža. Stisnite plastično sponko in nežno potegnite naslon za glavo iz sedeža.
- 43 Odprite elastične zanke (i) na obeh straneh naslona za glavo in odstranite prevleko naslona za glavo.
- 44 Sprostite in odstranite plastični trak vzdolž prednjega dela varnostnega sistema za otroke. **POMEMBNO!** Poskrbite, da boste potegnili plastični trak in **NE** vlecite tkanine. Varno shranite plastični trak, ko boste znova nameščali prevleko sedeža. Če izgubite plastični trak, se morate za zamenjavo obrniti na prodajalca.
- 45 Odstranite vse pritrđitvene vijake (i), (ii), (iii).
- 46 Previdno izvlecite prevleko sedeža okoli ohišja za prilagajanje pasov (i). Vse pasove napeljite skozi reže v prevleki sedeža in jo odstranite.

Za ponovno nameščanje prevleke sledite zgornjim korakom v obratnem vrstnem redu ter poskrbite, da so pasovi in ramenske blazine pravilno usmerjeni (glej korake 9-13 za podrobnosti o pritrđitvi naslona za glavo, pasov in ramenskega oblaزينjenja).

Skrb in vzdrževanje

Prevleko sedeža je mogoče odstraniti in oprati v pralnem stroju na 30° C v programu za nežno perilo. Prevleke ne dajajte v sušilni stroj, saj lahko to poškoduje prevleko in loči podlogo od blaga. Za ogled videoposnetkov s pojasnilom, kako odstraniti in pritrditi prevleko obiščite www.axkid.com.

Vse plastične dele sedeža Move lahko očistite z nežnim detergentom in vodo. Ne uporabljajte agresivnih kemikalij, ki vsebujejo topila in podobno, saj lahko te poškodujejo plastiko in poslabšajo varnost otroškega avtosedeža.

Vse materiale, uporabljene v sedežu Move, je mogoče reciklirati in jih je potrebno reciklirati v skladu z vašo lokalno zakonodajo. Pozanimajte se pri vašem lokalnem reciklirnem centru glede recikliranja tega izdelka.

Ne opravljajte nikakršnih sprememb ali popravkov na sedežu Move razen tistih, ki so opisani v teh navodilih. Natančno sledite navodilom. Kakršna koli popravila mora izvesti proizvajalec ali zastopnik.

Če je prevleko sedeža potrebno zamenjati, poskrbite da se uporabijo samo originalni izdelki Axkid. Če so drugi izdelki uporabljeni, to lahko vpliva na varnostni sistem sedeža Move in lahko vodi v resne poškodbe ali celo smrt v primeru nesreče.

Vsi uporabljeni materiali imajo zelo visoko odpornost na UV-žarke. Vendar pa so UV-žarki zelo agresivni in bodo sčasoma vodili k zbleditvi prevleke sedeža. To ni zajeto v garanciji in se šteje kot običajna obraba.

Garancija

Otroški avtosedež Move krije 24 mesečna garancija od dneva nakupa. Shranite račun in ga prinesite vašemu prodajalcu v primeru morebitnih napak. Garancija ne zajema:

* Normalne obrabe

* Poškodb zaradi nepravilne uporabe, malomarnosti ali nezgode

* Če so bila popravila izvajana s strani nepooblaščenih oseb

Axkid Move

Umístění proti směru jízdy ve váhové kategorii 9-25 kg pomocí bezpečnostního pásu auta a upevňovacích pásků

Návod k použití

Důležité informace

Pečlivě si přečtěte tento návod k použití zádržného systému, autosedačky Move do vašeho automobilu. Více informací a videa k instalaci najdete na www.axkid.com.

Děkujeme vám, že jste si vybrali autosedačku značky Axkid. Náš tým má více než 30-ti leté zkušenosti v oblasti dětské bezpečnosti a vyvinuli jsme veškeré naše úsilí k tomu, aby byla autosedačka Move co nejbezpečnější. Autosedačka Move je schválena podle normy ECE R44/04, nejnovějšího evropského standardu pro bezpečnost dětí. Abychom maximalizovali bezpečnost vašeho dítěte, je důležité myslet na následující:

Před instalací autosedačky Move si pečlivě přečtěte tento návod k použití. Pokud jste na pochybách, obraťte se na svého prodejce, který vám rád pomůže se správnou instalací. Nesprávná instalace může ohrozit vaše dítě.

Nepoužívejte autosedačku na sedadle, kde je aktivní airbag. Pokud chcete autosedačku Move nainstalovat na místo s airbagem, musí se airbag vypnout nebo deaktivovat v autorizovaném servisu. Je vždy důležité se přesvědčit, že airbag je deaktivovaný, některé vozy jsou vybaveny světelnou kontrolkou deaktivace.

Rozsáhlý výzkum prokázal, že riziko vážného zranění u malých dětí je pětikrát vyšší při použití autosedačky po směru jízdy, ve srovnání s použitím zádržného systému v poloze proti směru jízdy. V autosedačce Move může vaše dítě cestovat v poloze proti směru jízdy až do váhy 25kg.

Při instalaci autosedačky Move vždy používejte opěrnou nohu. Je to důležitý bezpečnostní prvek, navržený s ohledem na co nejvyšší bezpečí vašeho dítěte v případě dopravní nehody.

Po dopravní nehodě, jakkoliv malé, by měl být váš zádržný systém vyměněn. Mohou se objevit nezjistitelné závady, které mohou vážně ohrozit bezpečnost vašeho dítěte. To je také jeden z důvodů, proč Axkid nedoporučuje nákup sedačky z druhé ruky.

Nikdy nenechávejte vaše dítě v autě bez dozoru.

Všechny zavazadla a nepřipevněné předměty je třeba v autě zajistit, v případě nehody mohou způsobit vážná zranění cestujících.

Na vaší autosedačce najdete kapsičku, určenou pro uschování tohoto návodu (O).

Obsah

Autosedačku Move lze používat cca od 6 měsíců věku dítěte nebo od doby, kdy je dítě schopné samostatně sedět, až do věku šesti let. Tento zádržný systém můžete do auta nainstalovat **POUZE** v poloze proti směru jízdy.

Části	44
Povolené a nepovolené polohování	44-45
Proti-směrné 9-25kg s bezpečnostním pásem auta a pásy	45-48
Tento způsob montáže lze použít pro děti vážící 9-25 kg.	
Sundání a nasazení potahu	49
Péče a údržba	50
Záruka	50

Části

A	Opěrka hlavy	K	Konektor přídatné boční ochrany
B	Integrované popruhy	L	Upevňovací pásy
C	Přezka popruhů	M	Zajištění pásu
D	Otvor pro bezpečnostní pás	N	Šedé tlačítko
E	Tlačítko úpravy popruhů	O	Kapsička na uložení návodu
F	Pásek nastavení popruhů	P	Zip
G	Zabudovaný klín	Q	Opěrná noha
H	Přídavná boční ochrana	R	Tlačítko prodloužení opěrné nohy
I	Patky	S	Spona
J	Svislá drážka		

Povolené a nepovolené způsoby instalace autosedačky

- 1 Dětský zádržný systém může být instalován na jakémkoliv sedadle v automobilu, umístěné po směru jízdy, které je vybaveno 3-bodovým bezpečnostním pásem (i), kde není aktivní airbag. Dětský zádržný systém nelze instalovat na sedadlo, vybavené pouze 2-bodovým bezpečnostním pásem (ii).

DŮLEŽITÉ: Pokud chcete umístit sedačku Move na místo, vybavené airbagem, je třeba airbag nechat odpojit v autorizovaném servisu. Některá vozidla disponují mechanickým vypínačem airbagu – v tom případě je možné odpojit airbag tímto způsobem. Je třeba zkontrolovat světelný indikátor, signalizující vypnutí airbagu.

VAROVÁNÍ: Nikdy nepoužívejte na sedadle, kde je aktivní airbag.

VAROVÁNÍ: Nikdy nepoužívejte na sedadlech, umístěných v autě proti směru nebo bokem ke směru jízdy.

VAROVÁNÍ: Airbagy jsou určeny pro dospělé cestující, vašim dětem mohou způsobit vážná zranění.

Povolené a nepovolené způsoby instalace dětské autosedačky

Přední sedadlo spolujezdce (airbag není aktivní)	Ano
Přední sedadlo spolujezdce (airbag je aktivní)	Ne
Sedadlo vybavené 3-bodovým bezpečnostním pásem, směrem po směru jízdy	Ano
Sedadlo vybavené 2-bodovým bezpečnostním pásem	Ne
Sedadlo umístěné bokem ke směru jízdy	Ne
Sedadlo umístěné zády ke směru jízdy	Ne



Nikdy nepoužívejte tuto autosedačku v autě, které není vybaveno schváleným 3-bodovým pásem podle normy ECE R16.

Proti směru jízdy 9-25kg s bezpečnostním pásem & upínacími pásky

Nastavení výšky opěrky hlavy a popruhů

- 2 Než budete instalovat sedačku do auta, ujistěte se, že opěrka hlavy je v optimální výšce pro vaše dítě. Popruhy, pokud jsou správně nainstalovány, jsou vedeny ze zadní části sedačky dopředu a procházejí přímo nad rameny dítěte.
- 3 Pokud chcete nastavit výšku opěrky hlavy a popruhů, je třeba nejdříve odepnout popruhy. Stiskněte tlačítko úpravy popruhů (E) a vytáhněte ramenní popruhy směrem dopředu (bez ramenních vycpávek), čímž úplně povolíte popruhy.
- 4 Rozepněte zip (P) na zadní straně potahu.
- 5 Vyhákněte ramenní popruhy z místa uchycení (S) v zadní části dětské autosedačky
- 6 Rozepněte suchý zip a odepněte ramenní vycpávky (B) na zadní části sedačky.
- 7 Vytáhněte pásy ramenních vycpávek i ramenní popruhy směrem ven.
- 8 Zamáčkněte plastové tlačítko a jemně vytáhněte opěrku hlavy ven ze sedačky.
- 9 Nastavte výšku opěrky hlavy do jedné ze tří možných poloh tak, aby co nejlépe vyhovovala vašemu dítěti. Tlačte na kraj opěrky, dokud plastové tlačítko nezapadne na zvolené místo.
- 10 Vedeťe pásy popruhů (i) skrz ramenní vycpávky (ii).

- 11 Provlékněte popruhy a pásky ramenních vycpávek skrz otvory v hlavové opěrce směrem dozadu. Obě strany musí být ve stejné výšce. Pomocí suchého zipu spojte oba pásky ramenních vycpávek.
- 12 Znovu nasadte pásky popruhů do místa uchycení.
- 13 **DŮLEŽITÉ!** Ujistěte se, že pásky popruhů procházejí ve stejné výšce na opěrce hlavy a na sedačce.
DŮLEŽITÉ! Ujistěte se, že popruh je vedený mezi sedadlem a opěrnou nohou. Popruh **NESMÍ** procházet přes vodorovnou lištu opěrné nohy (!).
- 14 Posadte dítě do autosedačky a ověřte si, že jste výšku nastavili správně.

VAROVÁNÍ: Nikdy nepoužívejte autosedačku bez ramenních vycpávek. Ramenní vycpávky jsou jedním z důležitých bezpečnostních prvků.

Instalace dětské autosedačky

- 15 Nejjednodušší způsob usazení sedačky Move do auta je zády napřed. Obráťte záda autosedačky směrem k přední části auta.
- 16 Patky (I) by měly být umístěny přes okraj sedadla automobilu. Svislá drážka (J) na patce by měla být zároveň s hranou sedadla. Pokud instalujete sedačku v malém autě nebo pokud vaše dítě nepotřebuje extra prostor na nohy, můžete posadit patkou přímo na sedadlo, čímž zároveň získáte možnost většího náklonu autosedačky.

Poznámka: Pokud instalujete Move na přední sedadlo spolujezdce, je vhodné (ale ne zásadní), aby se záda sedačky dotýkala palubní desky.

- 17 Otočením zabudovaného klínu (G) nastavte jednu ze dvou poloh náklonu autosedačky. Vždy nastavujte co nejvíce vzpřímenou polohu, nicméně vaše dítě musí být schopno samo držet hlavičku. Zároveň by mělo být dost nakloněné pro případ, že usne (aby mu nepadala hlavička dopředu). Čím je dítě starší, tím by měla být sedačka více vzpřímená. Myslete, prosím, na to, že jakmile dokončíte instalaci Moveu, sedačka se jakoby vmáčkne do sedadla auta díky dotažení popruhů a pásků a tím bude ještě o trochu více nakloněná.



Nikdy neinstalujte dětskou sedačku na sedadlo auta, kde je aktivní airbag.



Upevnění bezpečnostního pásu auta

- 18 Rozepněte upevňovací klipy pásu (M) na obou stranách autosedačky Move. Vytáhněte pás auta do jeho plné délky nebo alespoň 70-80cm. Protáhněte pás otvorem pro bezpečnostní pás (D), mezi potahem sedačky a skořepinou a vytáhněte ven stejným otvorem na druhé straně sedačky. Pokud je to pro vás pohodlnější, můžete také protáhnout pás stejným otvorem jako v předchozím případě (D), potom horem přes potah sedačky a skrz otvor na druhé straně zpátky
- 19 Zavkněte jazyček přezky do zámků sedadla v autě. Zatáhněte za pás a upravte těsnost pásu po celé jeho délce. Upevněte ramenní i bederní část pásu v blízkosti zámků bezpečnostního pásu vozidla.

20 Při upevňování na opačné straně se zaměřte pouze na bederní část pásu.

Připojení upevňovacích pásků

21 Vycvakněte upevňovací pásky z dětské autosedačky.

22 Stiskněte šedé tlačítko (N) a vytáhněte konec s očkem do maximální délky popruhu.

23 Obtočte pásek kolem zvoleného kotvícího bodu a protáhněte kovovou sponu očkem, čímž k němu upevňovací pásek připevníte.

24 Pokud instalujete Move na zadní sedadlo, obtočte upevňovací pásky buďto ze zadní strany kolejnic předního sedadla (i), nebo kolem pantu nebo kovové tyčky uprostřed předního sedadla (ii).

25 Pokud instalujete sedačku na přední sedadlo spolujezce, dolní kotvící pásky musí být otočené kolem nejbližšího kotvícího bodu (i), ke kterému bude možné pásky pořádně dotáhnout. Kotvící body dále vzadu (ii) mohou být také použity a pokud je potřeba, pásky se mohou křížit (iii) nebo je můžete smotat dohromady (iv).

26 Znovu připojte kovové spony na každou stranu sedačky a zatáhněte za volné konce obou upevňovacích pásků a řádně je utáhněte. Ještě jednou zatáhněte vší silou za každý pásek, aby byla sedačka opravdu pevně zajištěná.

27 Vytáhněte opěrnou nohu (Q) ven pod maximálním úhlem. Stiskněte tlačítko prodloužení nohy (R) a prodlužte opěrnou nohu tak, aby se zapírela o podlahu.

Poznámka: Pás opěrné nohy může, ale nemusí být úplně napnutý.

28 Je důležité zkontrolovat, že opěrná noha svírá se zády autosedačky úhel vyšší než 10 stupňů. Můžete si to ověřit třeba tím, že zkontrolujete náklon opěrné nohy vůči sedadlu, který má být větší než kolmý.

29 Znovu silně zatáhněte za pásky na obou stranách, aby byla autosedačka pořádně upevněná.

Pokud jste již autosedačku na zadním sedadle nainstalovali, můžete posunout přední sedadlo do pohodlné polohy.

Poznámka: Záda autosedačky se mohou, ale nemusí dotýkat zadní části předního sedadla.

Použití přídavné boční ochrany

Použití přídavné boční ochrany není povinné, ale SILNĚ doporučujeme ji používat, poskytuje nadstandardní ochranu při bočním nárazu.

- 30 Najděte na sedačce místo připojení přídavné boční ochrany (K), umístěné nejbliže ke straně vozidla (tj. nejbliže dveří).

DŮLEŽITÉ: Ujistěte se, že dvě trojúhelníkové šipky (i) na přídavné boční ochraně (H) ukazují stejným směrem jako trojúhelníkové šipky na konektoru přídavné boční ochrany (K).

Nasaďte horní ze dvou oválných otvorů na spodní části přídavné boční ochrany na konektor přídavné boční ochrany. Zatačte přídavnou boční ochranu do boku autosedačky a vsuňte ji směrem nahoru do konektoru přídavné boční ochrany. Ucitíte jemné zacvaknutí, jak se boční ochrana dostane na správné místo.

Sundat: Tlačte přídavnou boční ochranu směrem dolů a sejměte.

Umístění dítěte do autosedačky

Než posadíte dítě do autosedačky, ujistěte se, že opěrka hlavy a popruhy jsou nastaveny na správnou výšku podle velikosti vašeho dítěte (viz kroky 2 až 14)

- 31 Stiskněte tlačítko úpravy popruhů (E) a vytáhněte ramenní popruhy směrem dopředu (bez ramenních vycpávek), čímž úplně povolíte popruhy.
- 32 Stiskněte červené tlačítko rozepnutí na upínací přezce a uvolněte popruhy.
- 33 Umístěte dítě do sedačky. Vedte paže dítěte pod ramenními popruhy tak, že popruhy visí přes hrudník a žaludek.
- 34 Spojte ramenní pásy dohromady a jazýčky spony zacvakněte do přezky mezi nožičkami dítěte.
- 35 Zatahněte za pásek úpravy popruhů (F). Když utahujete popruhy, je důležité vždy tahat pásek směrem rovně a do středu. Pokud neutahujete správně, může se pásek v mechanismu zaseknout.

Vyndání autosedačky z auta

VAROVÁNÍ: Nikdy se nepokoušejte vytáhnout autosedačku, pokud v ní sedí dítě.

- 36 Povolte klipy, zajišťující pás (M) na obou stranách sedačky. Vycvakněte také přezku bezpečnostního pásu auta (i) a úplně vytáhněte bezpečnostní pás mimo autosedačku. Složte opěrnou nohu (Q). Rozepněte upevňovací pásy (L) a vyndejte autosedačku z vozidla. Nakonec sundejte upevňovací pásy z kotvících bodů v autě a potom je znovu zahákněte na autosedačku.

Sejmutí a připevnění potahů

VAROVÁNÍ: Nikdy nepoužívejte dětskou autosedačku bez potahu. Potah je nedílný bezpečnostní prvek.

- 37 Vycvakněte upevňovací pásy z dětské autosedačky a sundejte přídatnou boční ochranu (H), pokud je připojená.
- 38 Stiskněte tlačítko úpravy popruhů (E) a vytáhněte ramenní popruhy směrem dopředu (bez ramenních vycpávek), čímž úplně povolíte popruhy.
- 39 Stiskněte na přezce červené rozepínací tlačítko popruhů, povolte popruhy a vyjměte podložku z oblasti mezi nožičkami.
- 40 Rozepněte zip na zadní části potahu sedačky. Vyhákněte ramenní popruhy z místa uchycení (S) na zadní části sedačky.
- 41 Rozepněte suchý zip a odepněte ramenní vycpávky (B) na zadní části sedačky.
- 42 Vytáhněte pásy ramenních vycpávek i ramenní popruhy směrem ven. Stiskněte plastový klip a jemně vytáhněte opěrku hlavy úplně ven ze sedačky.
- 43 Vyhákněte elastická poutka (i) na obou stranách opěrky hlavy a sejměte z ní potah.
- 44 Uvolněte a sundejte plastový pásek kolem přední části dětské autosedačky. **DŮLEŽITÉ!** Ujistěte se, že vytahujete jen plastový pásek a **NE** látku. Uložte si plastový pásek na bezpečné místo, budete ho potřebovat při opětovném nasazování potahu. V případě jeho ztráty kontaktujte svého prodejce.
- 45 Rozepněte všechny cvočky (i), (ii), (iii).
- 46 Opatrně sejměte potah sedačky z oblasti okolo umístění seřizovače (i). Zasuňte všechny popruhy skrz otvory v potahu sedačky a sejměte potah.

K nasazení potahu proveďte výše uvedené kroky v opačném pořadí. Ujistěte se, že ramenní pásy jsou vedeny správně (detaily připojení opěrky hlavy, pásů a ramenních vycpávek - viz kroky 9-13)

Péče a údržba

Potah autosedačky můžete sundat a vyprat v pračce na jemný prací program do 30°C. Nesušte v sušičce! Mohlo by dojít k poškození potahu a vycpávky by se mohly oddělit od látky.

Videa, znázorňující jak sejmout a opět nasadit potah najdete na www.axkid.com.

Všechny plastové části autosedačky Move můžete čistit jemným čisticím prostředkem a vodou. Nepoužívejte agresivní chemikálie, obsahující rozpouštědla apod. Mohlo by dojít k poškození plastů a ohrozit bezpečnost dětského zádržného systému.

Všechny materiály, použité na autosedačce Move jsou recyklovatelné a měly by proto být recyklovány v souladu s místní legislativou. Pokud si nejste jisti, požádejte o radu nejbližšího odborníka v oblasti recyklace a nakládání s odpadem.

Jakékoliv jiné úpravy a modifikace výrobku než ty, uvedené v tomto návodu, nejsou dovoleny. Pečlivě se řiďte uvedenými instrukcemi. Všechny opravy musí být provedeny výrobcem nebo prodejcem Moveu.

Pokud potřebujete vyměnit potah výrobku, doporučujeme použít originální potah od výrobce, Axkid. Pokud použijete jiný produkt, může dojít ke snížení bezpečnosti výrobku a může to v případě dopravní nehody vést k vážnému zranění nebo dokonce smrti.

Všechny použité materiály jsou vysoce odolné vůči UV záření. Nicméně, toto záření je velmi agresivní a může časem vést k vyblednutí barev potahu. Na to se nevztahuje záruka, vyblednutí barev se považuje za běžné opotřebení při používání.

Záruka

Na autosedačku Move poskytuje výrobce záruku 24 měsíců od data nákupu. Záruku lze uplatnit u vašeho prodejce s dokladem o koupi výrobku. Pokud se na výrobku vyskytne závada, kontaktujte vašeho prodejce. Doba záruky se prodlužuje o dobu, po kterou byl výrobek v servisu. Reklamací je nezbytné uplatnit co nejdříve po tom, co se závada objeví. Případné prodloužení může způsobit zhoršení závady. Zboží k reklamaci předávejte ve stavu, odpovídajícím zásadám obecné hygieny. Zjevné vady (chybějící části) je nutné reklamovat ihned nebo nejpozději do 10 dnů od zakoupení zboží. Na pozdější reklamacie nebude brán zřetel. Záruka se nevztahuje na:

* Běžné opotřebení při používání

* Závady způsobené nesprávným používáním, zanedbáním nebo dopravní nehodou

* Opravy a úpravy sedačky, prováděné třetí stranou

Axkid Move

Umiestnenie proti smeru jazdy vo váhovej kategórii 9-25 kg pomocou bezpečnostného pásu auta a upevňovacích pásov

Návod na použitie

Dôležité informácie

Pozorne si prečítajte návod na použitie zádržného systému autosedačky Move do vášho automobilu. Ďalšie informácie a videá k inštalácii nájdete na www.axkid.com.

Ďakujeme vám, že ste si vybrali autosedačku značky Axkid. Náš tím má viac než 30-ročné skúsenosti v oblasti detskej bezpečnosti a všetko naše úsilie sme smerovali k tomu, aby bola autosedačka Wolmax čo najbezpečnejšia. Autosedačka Wolmax je schválená podľa normy ECE R44/04, najnovšieho európskeho štandardu pre bezpečnosť detí. Pre maximálnu bezpečnosť vášho dieťaťa, je dôležité dodržiavať:

Pred inštaláciou autosedačky Move si starostlivo prečítajte tento návod na použitie. Pokiaľ ste na pochybách, obráťte sa na svojho predajcu, ktorý vám rád pomôže so správnou inštaláciou. Nesprávna inštalácia môže ohroziť vaše dieťa.

Nepoužívajte autosedačku na sedadle, kde je aktívny airbag. Ak chcete autosedačku Wolmax inštalovať na miesto s airbagom, musí sa airbag vypnúť alebo deaktivovať v autorizovanom servise. Je vždy dôležité sa presvedčiť, že je airbag deaktivovaný, niektoré vozy sú vybavené svetelnou kontrolkou deaktivácie.

Rozsiahly výskum ukázal, že riziko vážneho zranenia u malých detí je 5krát vyššie pri používaní autosedačky v smere jazdy, v porovnaní s používaním zádržného systému v polohe proti smeru jazdy. V autosedačke Wolmax môže vaše dieťa cestovať v polohe proti smeru jazdy až do váhy 25kg.

Pri inštalácii autosedačky Move vždy používajte opornú nohu. Je to dôležitý bezpečnostný prvok, navrhnutý vzhľadom k čo najvyššej bezpečnosti vášho dieťaťa, ak sa stane dopravná nehoda.

Po dopravnej nehode, aj keď malej, by mal byť váš zádržný systém vymenený. Môžu sa objaviť nezistiteľné závady, ktoré môžu vážne ohroziť bezpečnosť vášho dieťaťa. To je tiež jeden z dôvodov, prečo Axkid neodporúča nákup sedačky z druhej ruky.

Nikdy nenechávajte vaše dieťa v aute bez dozoru.

Všetka batožina a nepripevnené predmety sa musia zaistiť, v prípade nehody môžu spôsobiť vážne zranenia cestujúcim.

Na vašej autosedačke nájdete kapsičku, určenú pre uchovávanie tohto návodu (O).

Obsah

Autosedačka Wolmax sa môže používať od cca 6 mesiacov alebo od doby, kedy je dieťa schopné samostatne sedieť, až do 6 rokov. Tento zádržný systém môžete do auta nainštalovať **LEN** v polohe proti smeru jazdy.

Časti	52
Povolené a nepovolené polohovanie	52-53
Proti-smerné 9-25kg s bezpečnostným páskom auta a páskami	53-57
Tento spôsob montáže sa dá použiť pre deti vážiace 9-25 kg.	
Vybratie a nasadenie poťahu	57
Starostlivosť a údržba	58
Záruka	58

Časti

A	Opierka hlavy	K	Konektor prídavnej bočnej ochrany
B	Integrované popruhy	L	Upevňovacie pásky
C	Upínacia spona popruhov	M	Zaistenie pásu
D	Otvor pre bezpečnostný pás	N	Sivé tlačítko
E	Tlačítko úpravy popruhov	O	Kapsička na uloženie návodu
F	Pás nastavenia popruhov	P	Zips
G	Zabudovaný medzinožník (klín)	Q	Oporná noha
H	Prídavná bočná ochrana	R	Tlačítko predĺženia opornej nohy
I	Patky	S	Spona
J	Zvislá drážka		

Povolené a nepovolené spôsoby inštalácie autosedačky

1 Detský zádržný systém môže byť inštalovaný na akékoľvek sedadlo v automobile, umiestnené v smere jazdy, ktoré je vybavené 3-bodovým bezpečnostným páskom (i), kde nie je aktívny airbag. Detský zádržný systém sa nemôže inštalovať na sedadlo, vybavené iba 2-bodovým bezpečnostným páskom (ii).

DÔLEŽITÉ: Ak chcete umiestniť sedačku Move na miesto, vybavené airbagom, airbag sa musí nechať odpojiť v autorizovanom servise. Niektorá vozidlá disponujú mechanickým vypínačom airbagu – v tom prípade je možné odpojiť airbag týmto spôsobom – skontrolujte svetelný indikátor, signalizujúci vypnutie airbagu.

VAROVANIE: Nikdy nepoužívajte na sedadle, kde je aktívny airbag.

VAROVANIE: Nikdy nepoužívajte na sedadlách, umiestňovaných v aute proti smeru alebo bokom ku smeru jazdy.

VAROVANIE: Airbagy sú určené pre dospelých cestujúcich, vašim deťom môžu spôsobiť vážne zranenia.

Povolené a nepovolené spôsoby inštalácie detskej autosedačky

Na prednom sedadle spolujazdca (airbag nie je aktívny)	áno
Na prednom sedadle spolujazdca (airbag je aktívny)	NIE
Sedadlo vybavené 3-bodovým bezpečnostným pásom v smere jazdy	áno
Sedadlo vybavené 2-bodovým bezpečnostným pásom	NIE
Sedadlo umiestnené bokom ku smeru jazdy	NIE
Sedadlo umiestnené chrbtom ku smeru jazdy	NIE



Nikdy nepoužívajte túto autosedačku v aute, ktoré nie je vybavené schváleným 3-bodovým pásom podľa normy ECE R16.

Proti smeru jazdy 9-25kg s bezpečnostným pásom & upínacími páskami

Nastavenie výšky opierky hlavy a popruhov

- Prv ako budete inštalovať sedačku do auta, uistite sa, že opierka hlavy je pre vaše dieťa v optimálnej výške. Popruhy, pokiaľ sú správne nainštalované, sú vedené v zadnej časti sedačky smerom dopredu a vedú priamo nad ramenami dieťaťa.
- Pokiaľ chcete nastaviť výšku opierky hlavy a popruhov, musíte ich najprv odopnúť. Stlačte tlačítko na úpravu popruhov (E) a vytiahnite ramenné popruhy smerom dopredu (bez ramenných vypchávk), tým ich úplne povolíte.
- Rozopnite zips (P) na zadnej strane potahu.
- Vyháknite ramenné popruhy z miesta uchytenia (S) v zadnej časti detskej autosedačky.
- Rozopnite suchý zips a odopnite ramenné vypchávk (B) na zadnej časti sedačky.
- Vytiahnite pásy ramenných vypchávk a ramenné popruhy smerom von.
- Zatlačte plastové tlačítko a jemne vytiahnite opierku hlavy von zo sedačky.
- Nastavte výšku opierky hlavy do jednej z troch možných polôh tak, aby čo najviac vyhovovala vášmu dieťaťu. Tlačte na kraj opierky, dokiaľ plastové tlačítko nezapadne na zvolené miesto.

- 10 Vedzte pásky popruhov (i) cez ramenné vypchávký (ii).
- 11 Prevlečte popruhy a pásky ramenných vypchávkov cez otvory v hlavovej opierke smerom dozadu. Obe strany musia byť v rovnakej výške. Pomocou suchého zipsu spojte oba pásky ramenných vypchávkov.
- 12 Znovu nasadte pásky popruhov do miesta uchytenia.
- 13 **DÔLEŽITÉ!** Uistite sa, že pásky popruhov prechádzajú v rovnakej výške na opierke hlavy a na sedačke. **DÔLEŽITÉ!** Uistite sa, že popruh je vedený medzi sedadlom a opornou nohou. Popruh **NESMIE** prechádzať cez vodorovnú lištu oporné nohy (i).
- 14 Posadte dieťa do autosedačky a overte si, že ste výšku nastavili správne.

VAROVANIE: Nikdy nepoužívajte autosedačku bez ramenných vypchávkov. Ramenné vypchávký sú jedným z dôležitých bezpečnostných prvkov.

Inštalácia Detskej Autosedačky

- 15 Najjednoduchší spôsob usadenia sedačky Move do auta je chrbtom dopredu. Obráťte chrbtovú časť autosedačky smerom k prednej časti auta.
- 16 Patky (I) by mali byť umiestnené cez okraj sedadla automobilu. Zvislá drážka (J) na patke by mala byť zároveň s hranou sedadla. Pokiaľ inštalujete sedačku v malom aute alebo pokiaľ vaše dieťa nepotrebuje extra priestor na nohy, môžete posadiť patku priamo na sedadlo, tým zároveň získate možnosť väčšieho náklonu autosedačky.

Poznámka: Pokiaľ inštalujete Move na predné sedadlo spolujazdca, je vhodné (ale nie zásadné), aby sa chrbát sedačky dotýkal palubnej dosky.

- 17 Otočením zabudovaného klinu (medzinožník) (G) nastavte jednu z dvoch polôh náklonu autosedačky. Vždy nastavujte čo najviac vzpriamenú polohu, napriek tomu musí vaše dieťa byť schopné samo držať hlavičku. Zároveň by malo byť dost naklonené, keby zaspalo (aby mu nepadala hlavička dopredu). Čím je dieťa staršie, tým by mala byť sedačka viacej vzpriamená. Myslíte prosím na to, že ako náhle dokončíte inštaláciu Wolmaxu, sedačka sa akoby vtisla do sedadla auta - je to spôsobené dotiahnutím popruhov a pásov a tým bude ešte o trochu viacej naklonená.



Nikdy neinštalujte detskú sedačku na sedadlo auta, kde je aktívny airbag.



Upevnenie bezpečnostného pásu auta

- 18 Rozopnite upevňovacie klipsy pásu (M) na oboch stranách autosedačky Minikid. Vytiahnite pás auta do jeho plnej dĺžky alebo aspoň 70-80 cm. Pretiahnite pás otvorom pre bezpečnostný pás (D), medzi poťahom sedačky a kostrou a vytiahnite von rovnakým otvorom na druhej strane sedačky. Pokiaľ je to pre vás pohodlnejšie, môžete pretiahnuť pás rovnakým otvorom ako v predošlom prípade (D), potom vrchom cez poťah sedačky a skrz otvor na druhej strane naspäť.
- 19 Zcvaknite jazyček spony do zámku sedadla v aute. Zatiahnite za pás a upravte tesnosť pásu po celej jeho dĺžke. Upevnite ramennú a bedernú časť pásu v blízkosti zámku bezpečnostného pásu vozidla.
- 20 Pri upevňovaní na opačnej strane sa zamerajte iba na bedernú časť pásu.

Pripojenie upevňovacích pásov

- 21 Vycvaknite upevňovacie pásky z detskej autosedačky.
- 22 Stlačte sivé tlačidlo (N) a vytiahnite koniec s očkom do maximálnej dĺžky popruhu.
- 23 Obtočte pásku okolo zvoleného kotvového bodu a pretiahnite kovovú sponu očkom, tým k nemu upevňovacia pásku pripievňte.
- 24 Ak inštalujete Move na zadné sedadlo, obtočte upevňovacie pásky buďto za zadnú stranu kolajnic predného sedadla (i), alebo okolo pártu alebo kovovej tyčky uprostred predného sedadla (ii).
- 25 Ak inštalujete sedačku na predné sedadlo spolujazdca, dolné kotviace pásky musia byť obtočené okolo najbližšieho kotviaceho bodu (i), ku ktorému ich bude možné poriadne dotiahnuť. Kotviace body ďalej vzadu (ii) môžu byť tiež použité a pokiaľ je potreba, pásky sa môžu krížiť (iii) alebo ich môžete zmotaf dokopy (iv).
- 26 Znovu pripojte kovové spony na každú stranu sedačky a zatiahnite za voľné konce oboch upevňovacích pásov a poriadne ich utiahnite. Ešte raz zatiahnite silou za každú pásku, aby bola sedačka naozaj pevne zaistená.
- 27 Vytiahnite opornú nohu (q) von pod maximálnym uhlom. Stlačte tlačidlo predĺženie nohy (R) a predĺžte opornú nohu tak, aby sa zaprela o podlahu.
Poznámka: Pás opornej nohy môže, ale nemusí byť úplne napnutý.
- 28 Je dôležité skontrolovať, že oporná noha zvierá s chrbátom autosedačky uhol vyšší než 10 stupňov. Môžete si to overiť napríklad tým, že skontrolujete náklon opornej nohy voči sedadlu, ktorý má byť väčší než kolmý.

29 Znovu silne zatiahnite za pásky na oboch stranách, aby bola autosedačka poriadne upevnená.

Ak ste už autosedačku na zadnom sedadle nainštalovali, môžete posunúť predné sedadlo do pohodlnej polohy.

Poznámka: Zadná strana autosedačky sa môže, ale nemusí dotýkať zadnej časti predného sedadla.

Použitie prídavnej bočnej ochrany

Použitie prídavnej bočnej ochrany nie je povinné, ale **SILNO** odporúčame ju používať, poskytuje nadštandardnú ochranu pri bočnom náraze.

30 Nájdite na sedačke miesto pripojenia prídavnej bočnej ochrany (K), umiestnené najbližšie k strane vozidla (tj najbližšie dverí).

DÔLEŽITÉ: Uistite sa, že dve trojuholníkové šípky (i) na prídavnej bočnej ochrane (H) ukazujú rovnakým smerom ako trojuholníkové šípky na konektore prídavnej bočnej ochrany (K).

Nasadte horné z dvoch oválnych otvorov na spodnej časti prídavnej bočnej ochrany na konektor prídavnej bočnej ochrany. Zatláčajte prídavnú bočnú ochranu do boku autosedačky a vsuňte ju smerom nahor do konektora prídavnej bočnej ochrany. Pocítite jemné zacvaknutie, ako sa bočná ochrana dostane na správne miesto.

Odobrať: Tlačte prídavnú bočnú ochranu smerom nadol a odstráňte ju.

Umiestnenie dieťaťa do autosedačky

Prv ako posadíte dieťa do autosedačky, uistite sa, že opierka hlavy a popruhy sú nastavené na správnu výšku podľa veľkosti vášho dieťaťa (viď kroky 2 až 14)

31 Stlačte tlačítko úpravy popruhov (E) a vytiahnite ramenné popruhy smerom dopredu (bez ramenných vypchávok), tým popruhy úplne povolíte.

32 Stlačte červené tlačítko rozopnutia na upínacej pracke a uvoľníte popruhy.

33 Umiestnite dieťa do sedačky. Vedte paže dieťaťa pod ramennými popruhmi tak, že popruhy budú visieť cez hrudník a žalúdok.

34 Spojte ramenné pásky dohromady a jazýčky spony zacvaknite do pracky medzi nožičkami dieťaťa.

35 Zatiahnite za pás úpravy popruhov (F). Keď ťahujete popruhy, je dôležité vždy ťahať pás smerom rovno a do stredu. Pokiaľ neťahujete správne, môže sa pás v mechanizme zaseknúť.

Vyberanie autosedačky z auta

VAROVANIE: Nikdy sa nepokúšajte vytriahnuť autosedačku, pokiaľ v nej sedí dieťa.

- 36 Povoľte klipsy, ktoré zabezpečujú pás (L) na oboch stranách sedačky. Vycvaknite tiež pracku bezpečnostného pásu auta (i) a bezpečnostný pás vytriahnite mimo autosedačku. Zložte opornú nohu (Q). Rozopnite upevňovacie pásy (L) a vyberte autosedačku z vozidla. Nakoniec dajte dolu upevňovacie pásy z kotviacich bodov v aute a potom ich znovu zaháknite na autosedačku.

Vybratie a nasadenie poťahov

VAROVANIE: Nikdy nepoužívajte detskú autosedačku bez poťahu. Poťah je nedeliteľný bezpečnostný prvok.

- 37 Vycvaknite upevňovacie pásy z detskej autosedačky a zložte prídavnú bočnú ochranu (H), ak je pripojená.
- 38 Stlačte tlačítko úpravy popruhov (E) a vytriahnite ramenné popruhy smerom dopredu (bez ramenných vypchávok), tým popruhy úplne povoľíte.
- 39 Stlačte na pracke červené rozopínajúce tlačidlo popruhov, povoľte popruhy a vyberte podložku z oblasti medzi nožičkami.
- 40 Rozopnite zips na zadnej časti poťahu sedačky. Vyháknite ramenné popruhy z miesta uchytenia (S) na zadnej časti sedačky.
- 41 Rozopnite suchý zips a odopnite ramenné vypchávky (B) na zadnej časti sedačky.
- 42 Vytriahnite pásy ramenných vypchávok a ramenné popruhy smerom von. Stlačte plastový klip a jemne vytriahnite opierku hlavy úplne von zo sedačky.
- 43 Vyháknite elastická pútka (i) na oboch stranách opierky hlavy a dajte z nej dolu poťah.
- 44 Uvoľnite a zložte plastový pásik okolo prednej časti detskej autosedačky. **DÔLEŽITÉ!** Uistite sa, že vyťahujete len plastový pásik a **NIE** látku. Uložte si plastový pásik na bezpečné miesto, budete ho potrebovať pri opätovnom nasadzovaní poťahu. V prípade jeho straty kontaktujte svojho predajcu.
- 45 Rozopnite všetky cvočky (i), (ii), (iii).
- 46 Opatrne vytriahnite poťah sedačky z oblasti okolo umiestnenia nastavovača (i). Zasuňte všetky popruhy cez otvory v poťahu sedačky a dajte poťah dolu.

K nasadeniu poťahu vykonajte vyššie uvedené kroky v opačnom poradí. Uistite sa, že ramenné pásy sú vedené správne (detaily pripojenie opierky hlavy, pásov a ramenných vypchávok - viď kroky 9-13)

Starostlivosť a údržba

Poťah autosedačky môžete dať dolu a vyprať v práčke na jemný prací program do 30°C. Nesušte v sušičke! Mohlo by dôjsť k poškodeniu poťahu a vypchávkvy by sa mohli oddeliť od látky. Videá, znázorňujúce ako dať dolu a opäť nasadiť poťah nájdete na www.axkid.com.

Všetky plastové časti autosedačky Move môžete čistiť jemným čistiacim prostriedkom a vodou. Nepoužívajte agresívne chemikálie, obsahujúce rozpúšťadlá apod. Mohlo by dôjsť k poškodeniu plastov a ohrozeniu bezpečnosti detského zádržného systému.

Všetky materiály, použité na autosedačke Move sú recyklovateľné a mali by preto byť recyklované v súlade s miestnou legislatívou. Pokiaľ si nie ste istý, požiadajte o radu najbližšieho odborníka v oblasti recyklácie.

Akékoľvek iné úpravy a modifikácie výrobku, mimo tento návod, sú nepovolené. Starostlivo sa riadte uvedenými inštrukciami. Všetky opravy musia byť prevedené výrobcom alebo predajcom Moveu.

Ak potrebujete vymeniť poťah výrobku, odporúčame použiť originálny poťah od výrobcu, Axkid. Pokiaľ použijete iný produkt, môže dôjsť ku zníženiu bezpečnosti výrobku a môže to v prípade dopravnej nehody viesť i k vážnemu zraneniu alebo dokonca k smrti.

Všetky použité materiály sú vysoko odolné voči UV žiareniu. Avšak, toto žiarenie je veľmi agresívne a môže časom viesť k vyblednutiu farieb na poťahu - na to sa nevzťahuje záruka, vyblednutie farieb sa považuje za bežné opotrebenie pri používaní.

Záruka

Na autosedačku Minikid poskytuje výrobca záruku 24 mesiacov od dátumu nákupu. Záruka sa dá uplatniť u vášho predajcu s dokladom o kúpe výrobku. Pokiaľ sa na výrobku vyskytne závada, kontaktujte vášho predajcu. Doba záruky sa predlžuje o dobu, čo bol výrobok v servise. Reklamácia sa musí uplatniť čo najskôr po tom, čo sa závada objaví. Prípadné čakanie môže spôsobiť zhoršenie závady. Tovar k reklamácii predávajte v stave odpovedajúcom zásadám všeobecnej hygieny. Zjavné vady (chýbajúce časti) je nutné reklamovať ihneď alebo najneskôr do 10 dní od zakúpenia tovaru. Na neskoršie reklamácie sa nebude brať ohľad. Záruka sa nevzťahuje na:

* Bežné opotrebenie pri používaní

* Závady spôsobené nesprávnym používaním, zanedbávaním alebo dopravnou nehodou

* Opravy a úpravy sedačky, urobené treťou stranou

Axkid Move

Tyłem do kierunku jazdy 9-25kg, montowany za pomocą pasów samochodowych i pasów kotwiczących

Instrukcja obsługi

Ważna informacja

Przeczytaj poniższą instrukcję przed montażem fotelika Move w twoim samochodzie. W celu uzyskania bardziej szczegółowych informacji i filmów montażowych wejdź na stronę internetową Axkid.com

Dziękujemy za wybranie fotelika Move. Nasz zespół ma 30 lat doświadczenia w dziedzinie bezpiecznego przewożenia dzieci i uczyniliśmy wszystko co w naszej mocy, żeby fotelik Move był tak bezpieczny jak to tylko możliwe. Fotelik Move posiada certyfikat ECE R44-04, aktualny standard bezpieczeństwa obowiązujący na terenie Unii Europejskiej.

Przeczytaj tę instrukcję uważnie przed montażem fotelika Move. W razie wątpliwości skontaktuj się ze swoim sprzedawcą w celu demonstracji poprawnego montażu fotelika. Niepoprawny montaż może wpłynąć negatywnie na bezpieczeństwo twojego dziecka w trakcie podróży.

Nie używaj fotelika na miejscu z aktywną poduszką powietrza. Jeśli chcesz zamontować fotelik na tym miejscu, odłącz poduszkę powietrzną w ASO. Niektóre pojazdy wyposażone są w manualny wyłącznik poduszki powietrznej. Przed każdą podróżą upewnij się, że poduszka nie jest aktywna.

Wieloletnie badania pokazały, że ryzyko odniesienia poważnych obrażeń lub śmierci w trakcie wypadku, jest niższe pięciokrotnie jeśli dziecko podróżuje tyłem do kierunku jazdy. Fotelik Move oferuje możliwość podróżowania tyłem do kierunku jazdy aż do 25kg.

Zawsze używaj nogi stabilizującej w trakcie montażu fotelika. Noga podtrzymująca jest ważnym elementem fotelika, wpływającym na bezpieczeństwo Twojego dziecka.

W razie kolizji lub wypadku twój fotelik nie powinien być dłużej użytkowany. Jego elementy mogą być zużyte lub uszkodzone. Czasami uszkodzenia nie są widoczne gołym okiem. Z tego powodu Axkid nie rekomenduje zakupu fotelików z rynku wtórnego.

Nigdy nie zostawiaj swojego dziecka w samochodzie bez opieki.

Upewnij się, że wszystkie bagaże i luźne przedmioty są odpowiednio zabezpieczone w trakcie podróży.

Przechowuj tę instrukcję w dedykowanej kieszonce (O) w foteliku.

Zawartość

Fotelik Move jest odpowiedni dla dzieci, które potrafią samodzielnie i stabilnie siedzieć. Posłuży do ok. 6 roku życia. Fotelik Move jest montowany tylko tyłem do kierunku jazdy.

Elementy	60
Miejsca w których możesz i nie możesz zamontować fotelik	60-61
Tyłem do kierunku jazdy 9-25kg	61-64
Ten fotelik może być stosowany dla dzieci od 9 do 25kg	
Zdejmowanie i zakładanie tapicerki	65
Obsługa i konserwacja	66
Gwarancja	66

Elementy

A	Zagiłówek	K	Łącznik dodatkowej osłony bocznej
B	Uprząż wewnętrzna	L	Pas kotwiczący
C	Klamra uprząży	M	Blokada pasa samochodowego
D	Prowadnica pasa samochodowego	N	Szary przycisk
E	Przycisk regulacji uprząży	O	Kieszka na instrukcję
F	Pasek regulacji uprząży	P	Zamek błyskawiczny
G	Podstawa regulująca kąt pochylenia	Q	Noga stabilizująca
H	Dodatkowa osłona boczna	R	Przycisk regulacji nogi stabilizującej
I	Podstawa	S	Łącznik uprząży wewnętrznej
J	Znacznik skraju kanapy		

Miejsca w których możesz i nie możesz zamontować fotelik

- 1 Fotelik może być montowany na każdym siedzeniu skierowanym przodem do kierunku jazdy wyposażonym w trzypunktowe pasy bezpieczeństwa na którym brak aktywnej poduszki powietrznej. Zabroniony jest montaż fotelika za pomocą dwupunktowego pasa bezpieczeństwa.

WAŻNE: Nie używaj fotelika na miejscu z aktywną poduszką powietrza. Jeśli chcesz zamontować fotelik na tym miejscu, odłącz poduszkę powietrzną w ASO. Niektóre pojazdy wyposażone są w manualny wyłącznik poduszki powietrznej. Przed każdą podróżą upewnij się, że poduszka nie jest aktywna.

UWAGA: Nigdy nie montuj fotelika na siedzeniu wyposażonym w aktywną poduszkę powietrzną

UWAGA: Nigdy nie montuj fotelika na siedzeniach skierowanych tyłem do boku do kierunku jazdy

UWAGA: Poduszka powietrzna jest przeznaczona dla dorosłego pasażera i może spowodować poważny uraz u Twojego dziecka

Miejsca w których możesz i nie możesz zamontować fotelika

Przedni fotel pasażera (nieaktywna poduszka)	Tak
Przedni fotel pasażera (aktywna poduszka)	NIE
Fotel pasażera skierowany przodem do kierunku jazdy, z trzypunktowym pasem bezpieczeństwa	Tak
Fotel z dwupunktowym pasem bezpieczeństwa	NIE
Fotel skierowany bokiem do kierunku jazdy	NIE
Fotel skierowany tyłem do kierunku jazdy	NIE



Nigdy nie montuj tego fotelika w aucie niewyposażonym w trzypunktowe pasy bezpieczeństwa.

Tyłem do kierunku jazdy 9-25kg

Zmiana pozycji zagłówka i uprząży wewn

- 2 Zanim zamontujesz fotelika upewnij się, że zagłówek i uprząż są na odpowiedniej wysokości. Prawidłowo pozycjonowana uprząż powinna wychodzić z fotelika dokładnie na poziomie ramion dziecka.
- 3 Aby przemieścić zagłówek i uprząż na wyższą pozycję, będziesz musiał najpierw odczepić uprząż od uchwytu (T). Naciśnij przycisk regulacji uprząży (E) i pociągnij za pasy (nie za ochraniacze barkowe) aby całkowicie poluzować uprząż.
- 4 Otwórz zamek błyskawiczny (P) z tyłu tapicerki.
- 5 Wsuń uprząż z łącznika uprząży wewnętrznej (S)
- 6 Rozepnij klamerkę spinającą ochraniacze barkowe (B)
- 7 Wyciągnij uprząż barkową i ochraniacze barkowe z fotelika
- 8 Ściśnij plastikowy klips i delikatnie wyjmij zagłówek z uchwytu.
- 9 Umieść zagłówek w jednym z trzech dostępnych slotów, najbardziej odpowiadającemu wysokości Twojego dziecka. Delikatnie dociśnij spód zagłówka aż klips zablokuje się w uchwycie.
- 10 Przewlec uprząż barkową (i) przez ochraniacze barkowe (ii)
- 11 Przewlec uprząż oraz paski mocujące ochraniacze barkowe przez dostępne otwory w zagłówku. Upewnij się, że oba są na jednakowej, poprawnej wysokości. Połącz paski ochraniaczy barkowych klamerką.

- 12 Nasuń uprząż na łącznik uprząży.
- 13 **WAŻNE!** Upewnij się, że pasy uprząży przechodzą przez plecy fotelika na tej samej wysokości. **WAŻNE!** Upewnij się, że uprząż jest poprowadzona pomiędzy fotelikiem a nogą podtrzymującą. Uprząż nie może przechodzić przez nogę (i)
- 14 Upewnij się, że wysokość zagłówek jest odpowiednia, poprzez umieszczenie dziecka w foteliku.

UWAGA! Nigdy nie używaj fotelika bez ochraniaczy na pasy. Są one ważnym elementem odpowiadającym za bezpieczeństwo.

Montaż fotelika

- 15 Umieść fotelik na siedzeniu, ustawiając go tyłem do kierunku jazdy.
- 16 Podstawa(l) powinna znajdować się na skraju siedzenia. Wskaźnik skraju kanapy (J) powinien pokrywać się ze skrajem siedzenia pasażera. Jeśli instalujesz fotelik w mniejszym pojeździe lub jeśli twoje dziecko nie potrzebuje dodatkowego miejsca na nogi, możesz umieścić podstawę na szczycie siedzenia pasażera, dzięki temu otrzymasz również bardziej odchyloną pozycję

Ważne: Jest wskazane, lecz nie konieczne, aby fotelik zamontowany na przednim siedzeniu pasażera opierał się o deskę rozdzielczą pojazdu.

- 17 Aby regulować pozycję fotelika ustaw podstawę regulującą (G) w jedną z dwóch możliwych pozycji. Zawsze wybieraj maksymalnie pionową pozycję, jednak Twoje dziecko musi samodzielnie utrzymać głowę w zagłóweku podczas snu. Zgodnie z zasadą, im starsze dziecko tym bardziej pionowe ustawienie fotelika. Pamiętaj, że po montażu fotelika jego pozycja będzie bardziej odchylona, gdyż naciągnięte pasy samochodowe oraz pasy kotwiczące docisną fotelik do siedzenia.



Nigdy nie instaluj fotelika na siedzeniu z aktywną poduszką powietrzną.



Montaż pasa samochodowego

- 18 Otwórz blokady pasa samochodowego (M) po obu stronach fotelika. Przeprowadź pas samochodowy przez prowadnicę (D), pod lub nad tapicerką fotelika i przez prowadnicę po drugiej stronie siedziska.
- 19 Wepnij klamrę pasa w zamek pasa bezpieczeństwa. Naciągnij pas samochodowy tak, aby nie było na nim żadnych luzów. Zapnij pas barkowy i biodrowy w blokadzie (M) bliżej środka pojazdu.
- 20 Blokada od strony drzwi powinna być zatrzaśnięta jedynie na części biodrowej pasa samochodowego.

Montaż pasa kotwiczącego

- 21 Odepnij pasy kotwiczące od fotelika.
- 22 Naciśnij szary przycisk (N) i pociągnij za pętlę na końcu aby wydłużyć pas.
- 23 Aby przymocować pas przeprowadź go przez wybrany punkt kotwiczenia i przepleć metalowy zaczep przez pętlę na końcu pasa. Zaciągnij.
- 24 Jeśli instalujesz fotelik na siedzeniu z tyłu, pasy kotwiczące powinny być zamocowane do prowadnic przedniego fotela (i), lub pomiędzy siedziskiem a oparciem przedniego fotela. (ii).
- 25 Jeśli instalujesz fotelik na przednim siedzeniu, pasy kotwiczące powinny być zamocowane do najbliższego dogodnego punktu mocowania (i) Można użyć również bardziej oddalonych punktów (ii) a pasy kotwiczące mogą być skrzyżowane (iii) lub zamocowane o siebie nawzajem (iv).
- 26 Zamocuj ponownie metalowy zaczep do skorupy fotelika i pociągnij luźną część pasa kotwiczącego. Ciągnij pas, dopóki nie upewnisz się, że jest on sztywno naciągnięty.
- 27 Odciągnij nogę podtrzymującą (Q) to maksymalnego kąta. Naciśnij przycisk wydłużania nogi (R) i wydłuż nogę tak, aby oparła się na podłodze. Uwaga: Paski ograniczające nogę mogą lecz nie muszą być maksymalnie napięte.
- 28 Ważne jest, aby noga stabilizująca była ustawiona pod kąt ok. 10 stopni względem oparcia fotelika. Noga powinna opierać się w kierunku maski samochodu, nie zaś jego bagażnika.
- 29 Raz jeszcze dociągnij pasy kotwiczące fotelika aby upewnić się, że są odpowiednio naciągnięte.

Jeśli zamontowałeś fotelik Move na siedzeniu z tyłu pojazdu, możesz teraz przesunąć siedzenie przed nim do wygodnej pozycji.

WAŻNE: Skorupa fotelika może lecz nie musi opierać się o przedni fotel.

Używanie dodatkowej osłony bocznej

Choć osłona jest opcjonalna, **ZDECYDOWANIE** rekomendujemy jej używanie dla dodatkowej ochrony przy uderzeniu bocznym.

30 Umieść łącznik osłony (K) na boku fotelika od strony drzwi pojazdu

WAŻNE: Upewnij się, że dwie strzałki (i) na osłonie (H) wskazują ten sam kierunek co strzałka umieszczona na łączniku (K).

Umieść dwa owalne otwory na spodniej części osłony nad łącznikiem osłony. Docisnij osłonę do łącznika i popchnij ją w górę. Poczujesz delikatne kliknięcie, kiedy osłona wskoczy na swoje miejsce

Aby usunąć osłonę popchnij ją w dół aż do zwolnienia zaczepów. Aby usunąć osłonę popchnij ją w dół aż do zwolnienia zaczepów.

Zapinanie dziecka w foteliku

Przed umieszczeniem dziecka w foteliku, upewnij się że zagłówki oraz pasy znajdują się na odpowiedniej wysokości (Kroki od 2 do 14)

31 Naciśnij przycisk regulacji uprząży (E) i wyciągnij ją na maksymalną długość.

32 Naciśnij czerwony przycisk na zamku uprząży aby rozpiąć uprząż.

33 Posadź dziecko w foteliku. Umieść uprząż tak, aby przebiegała po barkach oraz biodrach dziecka.

34 Połącz obie klamry uprząży i umieść je w zamku aż usłyszysz charakterystyczne kliknięcie.

35 Zaciągnij pasek regulacji uprząży (F). Ważne jest, aby pasek regulacji zaciągać tak, by uprząż na ramionach dociągała się równomiernie.

Demontaż fotelika z pojazdu

UWAGA: Nigdy nie demontuj fotelika kiedy twoje dziecko jest w nim zapięte.

36 Otwórz blokady pasa samochodowego (M) po obu stronach fotelika. Uwolnij klamrę pasa samochodowego z zamku (i) i usuń pas z prowadnic fotelika. Skróć nogę stabilizującą (Q). Odepnij pasy kotwiczące (L) i wyjmij fotelik z pojazdu. Na koniec odczep pasy kotwiczące od punktu kotwiczenia.

Zdejmowanie i zakładanie tapicerki

UWAGA: Nigdy nie używaj fotelika bez tapicerki. Tapicerka jest integralną częścią fotelika

- 37 Odepnij pasy kotwiczące i usuń osłonę boczną (H)
- 38 Naciśnij przycisk regulacji uprząży (E) i wyciągnij ją na maksymalną długość.
- 39 Rozepnij uprząż i usuń osłonkę pasa krokowego
- 40 Rozepnij zamek błyskawiczny z tyłu fotelika. Wypełć uprząż z klamry (S) z tyłu fotelika.
- 41 Rozepnij klamerkę spinającą ochroniacze barkowe (B)
- 42 Wyciągnij uprząż barkową i ochroniacze barkowe z fotelika, ściśnij plastikowy klips i delikatnie wyjmij zagłówki z fotelika
- 43 Wypełć elastyczne pętelki (i) z obu stron zagłówka i usuń tapicerkę zagłówka
- 44 Delikatnie podważając wypnij i usuń plastikową listwę (i) w dolnej części frontu fotelika. **UWAGA:** upewnij się, że ciągniesz za listwę, nie za materiał tapicerki. Delikatnie wysuń tapicerkę z maskownicy paska regulacji uprząży. **WAŻNE:** zachowaj plastikową listwę w bezpiecznym miejscu do czasu ponownej instalacji tapicerki, w przypadku zgubienia listwy skontaktuj się ze swoim sprzedawcą.
- 45 Odepnij wszystkie napy (i) (ii) (iii)
- 46 Delikatnie wysuń tapicerkę spod maskownicy paska regulacji długości uprząży (i), wysuń wszystkie pasy z otworów w tapicerce i zdejmij ją.

Aby założyć tapicerkę, wykonaj powyższe czynności w odwrotnej kolejności. Upewnij się, że uprząż i ochroniacze są poprowadzone poprawnie (patrz krok 9-13)

Obsługa i konserwacja

Tapicerka fotelika może zostać zdjęta i prana w pralce w temperaturze 30st C, w programie "Delikatne". Nie umieszczaj tapicerki w suszarce, gdyż może ona ulec uszkodzeniu. Odwiedź www.axkid.com aby dowiedzieć się, jak odpiąć tapicerkę z fotelika.

Wszystkie plastikowe części fotelika mogą zostać wyczyszczone za pomocą delikatnych detergentów i wody. Nie używaj mocnej chemii zawierającej rozpuszczalniki itp, może to spowodować uszkodzenie fotelika i wpłynąć negatywnie na bezpieczeństwo Twojego dziecka.

Wszystkie materiały z jakich wykonany jest fotelik Move mogą oraz powinny zostać poddane recyklingowi zgodnie z prawem obowiązującym w twoim kraju. Aby uzyskać wskazówki dotyczące recyklingu skontaktuj się z najbliższym punktem odbioru odpadów.

Nie dokonuj żadnych modyfikacji fotelika Move, poza dozwolonymi w niniejszej instrukcji. Zawsze stosuj się do niniejszej instrukcji. Wszelkie naprawy fotelika powinny być dokonane przez autoryzowany serwis dystrybutora w twoim kraju.

Jeśli tapicerka fotelika będzie wymagała wymiany, upewnij się, że używasz oryginalnych części od firmy Axkid. Zastosowanie nieoryginalnej tapicerki może wpływać negatywnie na bezpieczeństwo twojego dziecka.

Wszystkie materiały użyte do produkcji fotelika Move posiadają wysoką wytrzymałość na promieniowanie UV. Jednakże promieniowanie UV jest bardzo agresywne i z czasem może doprowadzić do blaknięcia tapicerki. Nie jest to uwzględnione w naszej gwarancji i będzie rozpatrywane jako zużycie spowodowane normalnym użytkowaniem.

Gwarancja

Fotelik Axkid Move jest objęty 24 miesięczną gwarancją, liczoną od daty zakupu. Upewnij się, że zachowałeś dowód zakupu i miej go przy sobie, w razie jakichkolwiek roszczeń gwarancyjnych. Gwarancja nie obejmuje:

* Zużycia produktu wynikającego z poprawnego użytkowania

* Uszkodzeń wynikłych z niepoprawnego użytkowania, nieostrożności lub wypadku

* Jeśli naprawy były realizowane przez osoby nieuprawnione

Axkid Move

Dos à la route 9-25Kg installé avec la ceinture de sécurité

Manuel d' instructions

Informations importantes

Lire le manuel d'utilisation avant d'installer le siège-auto dans votre véhicule, pour plus d'informations et de vidéos visitez www.axkid.com

Merci d'avoir choisi un siège-auto Axkid. Notre équipe a plus de 30 ans d'expérience dans la sécurité des enfants et nous avons fait tout notre possible pour rendre le siège-auto Move le plus sûr possible. Le siège-auto Move a été approuvé selon la norme ECE R44/04, la dernière norme européenne en matière de sécurité enfant. Pour maximiser la sécurité de votre enfant il est important que vous gardiez à l'esprit les choses suivantes :

Lisez attentivement le manuel d'instruction avant d'installer le siège-auto Move. Si vous avez un doute n'hésitez pas à contacter votre revendeur qui pourra vous montrer la correcte installation. Une mauvaise installation pourrait mettre en danger votre enfant.

Ne pas installer un siège-auto au même emplacement qu'un airbag. Si vous souhaitez tout de même installer le Move à cet endroit, les airbags doivent être désactivés dans un centre agréé. Certains véhicules peuvent être équipés d'un bouton qui vous permet vous permet de désactiver manuellement les airbags. Il est important de toujours vérifier si l'indicateur lumineux de votre tableau de bord indique que ceux-ci sont bien désactivés.

De nombreuses études ont montré que le risque de blessures graves ou pire, est cinq fois plus élevé pour un jeune enfant quand il fait face à la route, que lorsqu'il se trouve dos à la route. Dans le Move votre enfant peut voyager dos à la route jusqu'à 25kg.

Toujours utiliser la jambe de force quand vous installez le siège Move. La jambe de force est un élément très important, créée spécialement pour maximiser la sécurité de votre enfant en cas d'accident.

Si vous avez un accident, même sans gravité, votre siège-auto devra être remplacé. Il pourrait être endommagé, même si c'est indétectable à l'œil nu, et pourrait sérieusement mettre en péril la sécurité de votre enfant. Pour cette raison Axkid ne recommande pas l'achat d'un siège-auto d'occasion.

Ne jamais laisser votre enfant sans surveillance dans la voiture.

Assurez-vous que tous les objets ou bagages sont attachés et ne peuvent pas se déplacer dans le véhicule, ils pourraient causer des blessures aux passagers en cas de collision.

Sommaire

Le siège auto Move convient aux enfants à partir d'environ 6 mois ou à partir du moment où l'enfant peut s'asseoir sans assistance, jusqu'à 6 ans. Ce siège-auto peut UNIQUEMENT être installé dos à la route.

Pièces	68
Positionnement autorisé et interdit du siège-auto	68-69
Dos à la route 9-25 kg avec ceinture de sécurité et sangles d'ancrage tether straps	69-73
Ce dispositif de retenue peut être utilisé pour les enfants entre 9 et 25 kg	73
Retrait et mise en place des housses	74
Entretien et maintenance	74

Pièces

A	Appui-tête	K	Connecteur du coussin d'impact latéral
B	Harnais intégral	L	D'ancrage tether straps
C	Boucle de harnais	M	Pince de verrouillage de la ceinture de sécurité
D	Insert pour ceinture de sécurité	N	Bouton gris
E	Bouton de réglage du harnais	O	Poche de rangement de la notice
F	Sangle d'ajustement du harnais	P	Fermeture éclair
G	Bloc inclinable	Q	Jambe de support
H	Coussin d'impact latéral	R	Bouton d'extension de la jambe de force
I	Socle	S	Crochet
J	Ligne d'indication de la verticale		

Positionnement autorisé et interdit du siège-auto

1 Ce siège-auto peut être utilisé sur tous les sièges muni d'une ceinture de sécurité 3 points (i) du moment qu'aucun airbag n'est actif. Ce siège-auto ne peut pas être utilisé avec une ceinture ventrale 2 points (ii).

IMPORTANT: Si vous souhaitez installer le Move dans un véhicule muni d'airbags, les airbags doivent être déconnectés dans un centre agréé. Certains véhicules peuvent être équipés d'un bouton qui vous permet de désactiver manuellement les airbags. Il est important de toujours vérifier si l'indicateur lumineux de votre tableau de bord indique que ceux-ci sont bien désactivés.

ATTENTION: Ne jamais utiliser lorsque l'airbag est activé

ATTENTION: Ne jamais utiliser face à la route ou face aux côtés

ATTENTION: Les airbags sont conçus pour les adultes et peuvent gravement blesser votre enfant lors d'un accident

Positionnement autorisé et interdit du siège-auto.

Siège passager avant (sans airbag actif)	Oui
Siège passager avant (airbag actif)	NON
Dos à la route avec une ceinture 3 points	Oui
Installé sur un siège avec une ceinture ventrale	NON
Installé de côté	NON
Installé face à la route	NON



Ne jamais utiliser ce siège-auto dans un véhicule qui n'est pas équipé de ceintures de sécurité 3 points approuvées par la norme ECE Reg 16.

Siège-auto dos à la route: 9-25 Kg avec ceinture de sécurité et sangles d'ancrage tether straps

Ajuster l'appui tête et la hauteur du harnais

- 2 Avant d'installer le siège-auto, merci de vous assurer que l'appui tête est à la bonne hauteur pour votre enfant. Lorsqu'il est correctement positionné, le harnais doit passer de l'arrière à l'avant du siège en passant juste au dessus des épaules de l'enfant.
- 3 Pour que vous puissiez ajuster le harnais et la hauteur de l'appui tête, vous devrez d'abord ouvrir le harnais. Appuyez sur le bouton de réglage du harnais (E) et tirez sur les sangles du harnais (pas sur les pas sur les fourreaux de harnais) pour les détendre complètement.
- 4 Ouvrez la fermeture éclair (P) de la housse, à l'arrière du siège.
- 5 Détachez les sangles des épaules du crochet en métal (S) à l'arrière du dispositif de retenue pour enfant.
- 6 Détachez le Velcro® et retirez les fourreaux de harnais (B) à l'arrière du siège.
- 7 Tirez les sangles des fourreaux de harnais et les sangles du harnais hors du siège.
- 8 Pressez les clips plastique et tirez délicatement sur l'appui tête pour le retirer.
- 9 Repositionnez l'appui tête à l'une des trois hauteurs, correspondant le mieux à votre enfant. Poussez sur l'avant de l'appui tête jusqu'à ce que les clips plastique soient correctement enfoncés.

- 10 Passez les sangles du harnais (i) à travers les fourreaux de harnais (II).
- 11 Passez les sangles du harnais et les sangles des fourreaux à travers les trous présents dans l'appui-tête à l'arrière du siège, en veillant à ce que toutes les sangles soient à la même hauteur. Raccordez les deux sangles des fourreaux de harnais à l'aide du Velcro®.
- 12 Rattachez les sangles du harnais au crochet en métal.
- 13 **IMPORTANT !** Assurez-vous que les sangles du harnais passent bien dans les trous situés à la même hauteur sur l'appui-tête et le siège. **IMPORTANT !** Assurez-vous que le harnais est acheminé entre le siège et la jambe de force. Le harnais **NE DOIT PAS** passer sur la barre horizontale de la jambe de force (i).
- 14 Assurez-vous que l'appui tête est à la bonne hauteur, en asseyant votre enfant dans le siège.

ATTENTION: Ne jamais utiliser ce siège auto sans les coussinets de harnais. Les coussinets sont un élément de sécurité important.

Positionner le siège-auto

- 15 La façon la plus simple d'installer le Move dans le véhicule est de faire rentrer le dos du siège en premier.
- 16 Le socle du siège-auto (I) doit être sur le rebord du siège du véhicule. La ligne indicative de la verticale (J) doit être alignée avec le rebord du siège, s'il est installé dans un petit véhicule, ou si votre enfant n'a pas besoin de beaucoup de place pour ses jambes, vous pouvez aussi installer le siège plus près du dossier de la banquette arrière, en posant le talon du siège sur l'assise, sans aller jusqu'au bord du siège, ceci améliorera l'inclinaison du siège.

Note: Lorsqu'il est installé à l'avant, le siège Move peut toucher le tableau de bord.

- 17 Pour ajuster l'angle du siège, faites tourner le bloc inclinable (G) sur l'une des deux positions d'inclinaison possibles. Choisissez toujours la position la plus droite possible, votre enfant doit cependant être capable de tenir sa tête par lui-même, mais suffisamment incliné pour ne pas que sa tête tombe lorsqu'il dort. En règle générale plus l'enfant grandit plus le siège peut être installé droit. Merci de noter qu'une fois l'installation du Move terminée, une fois les sangles serrées, le siège s'enfoncera dans le siège du véhicule et se retrouvera un peu plus incliné.



Ne jamais installer un siège-auto sur le siège passager où un airbag est activé.



Attacher la ceinture de sécurité

- 18 Ouvrez les pinces des deux côtés du Move (M) Tirez sur la ceinture de sécurité jusqu'à ce que la partie ventrale de la ceinture fasse au moins 70-80 cm de long. Insérez la ceinture de sécurité par l'insert pour ceinture de sécurité (D), à travers l'ouverture, entre la housse et l'armature du siège, jusqu'à l'ouverture de l'autre côté. Si vous préférez vous pouvez aussi faire passer la ceinture par dessus la housse et la faire passer par l'insert pour ceinture de sécurité de l'autre côté.
- 19 Attachez la ceinture de sécurité dans la boucle rouge habituelle. Resserrez la ceinture de sécurité du véhicule. Du côté de la boucle d'attache rouge de la ceinture de sécurité, sécuriser la ceinture ventrale et diagonale en fermant la pince (M) prévue à cet effet.
- 20 De l'autre côté bloquez seulement la ceinture ventrale dans la pince.

Attacher les sangles d'ancrage tether straps du siège

- 21 Détachez les sangles d'ancrage tether straps du dispositif de retenue pour enfant.
- 22 Appuyez sur le bouton gris (N) et tirez l'extrémité de la boucle pour augmenter la longueur de la sangle.
- 23 Pour attacher les sangles d'ancrage tether straps aux points d'ancrages de votre véhicule, enroulez les sangles autour des points d'ancrages choisis et passez le crochet métallique de chaque sangle dans la boucle à l'autre extrémité.
- 24 Lorsque vous installez le Move à l'arrière d'un véhicule, enroulez les sangles d'ancrage tether straps sur le rail du siège avant, soit sur le rail du siège arrière, ou sur les charnières du siège avant (ii).
- 25 Lorsque vous installez le Move sur le siège passager avant, les sangles d'ancrage doivent être enroulées autour du point d'ancrage le plus sûr et le plus proche, ce qui permettra aux sangles d'être bien serrées. Des points d'ancrages plus éloignés (ii) peuvent être aussi utilisés. Si nécessaire les sangles peuvent aussi être croisées (iii) ou même nouées ensemble (iv).
- 26 Rattachez les crochets métalliques de chaque côté de votre siège auto, puis appuyez sur le bouton gris et tirez sur les extrémités des sangles pour les tendre complètement. Tirez de nouveau sur les sangles, aussi fort que possible, pour vous assurer que le siège est sûrement et fermement attaché.
- 27 Dépliez la jambe de force (Q) jusqu'à son angle maximum. Appuyez sur le bouton d'extension de jambe (Q) et sortez la jambe de force jusqu'à ce qu'elle atteigne le sol.
Note : La courroie de la jambe de force peut être complètement tendue, mais ce n'est pas une obligation.
- 28 Il est important de faire attention à ce que la jambe de support fasse un angle supérieur à 10 degrés avec le dos du siège-auto. Vous pouvez vérifier cela en vous assurant que la jambe de support est plus loin que la verticale qu'elle forme avec le siège.

- 29 Maintenant, tirez fermement sur les sangles des deux côtés du siège pour vous assurer qu'elles sont sécurisées.

Si vous avez installé Move sur le siège arrière du véhicule vous pouvez maintenant déplacer le siège avant jusqu'à une position confortable.

Note: Le dos du siège-auto peut être en contact avec le dos du siège avant, mais ce n'est pas obligatoire.

Utilisation du coussin de protection contre les impacts latéraux

Bien qu'il s'agisse d'une option, nous conseillons **FORTEMENT** d'utiliser, si possible, le coussin d'impact latéral pour ajouter une protection supplémentaire en cas de collision latérale.

- 30 Repérez le connecteur du coussin d'impact latéral (K) sur le siège enfant qui est du côté de la portière.

IMPORTANT : Vérifiez que les deux flèches triangulaires (i) sur le coussin d'impact latéral (H) pointent dans la même direction que la flèche triangulaire sur le connecteur du coussin d'impact latéral (K).

Pour fixer le coussin d'impact latéral, il suffit de le faire glisser du haut vers le bas dans le connecteur présent sur le siège. Vous entendrez un léger clic lorsque le coussin d'impact latéral se verrouille en place.

Pour retirer : Poussez le coussin d'impact latéral vers le bas et retirez-le.

Installer l'enfant dans le siège-auto

Avant d'installer votre enfant dans le siège auto, assurez-vous que le harnais et l'appui tête sont réglés à la bonne hauteur pour votre enfant. (Voir étapes 2 à 14)

- 31 Appuyez sur la manette de réglage du harnais (E) et détendez les sangles du harnais.
- 32 Appuyez sur le bouton rouge sur la boucle du harnais pour le détacher.
- 33 Installez l'enfant dans le siège, passer ses bras dans le harnais, jusqu'aux épaules, afin que toutes les sangles se rejoignent au niveau de son ventre.
- 34 Reliez les deux embouts des sangles du harnais et insérez les dans la boucle rouge.
- 35 Tirez sur la sangle d'ajustement du harnais (F). Il est important de toujours tirer sur la manette de réglages lorsque les sangles sont droites, non vrillées et bien positionnées. En tirant sur la manette l'appui tête va automatiquement descendre à la hauteur appropriée.

Retirer le siège Auto de votre véhicule

ATTENTION : N'essayez jamais de retirer le siège auto alors que votre enfant est assis dedans.

Ouvrez les pinces pour ceinture de sécurité (M), situées de chaque côté du siège auto.

- 36 Détachez la boucle de la ceinture de sécurité du véhicule (i), et retirez complètement la ceinture du siège auto. Pliez la jambe de force (Q). Décrochez les sangles d'ancrage tether straps (L) du siège auto puis retirez le Move du véhicule. Finalement enlevez les sangles d'ancrage tether straps que vous aviez fixé au véhicule, et raccrochez les au siège auto.

Retrait et mise en place des housses

AVERTISSEMENT: N'utilisez jamais le dispositif de retenue pour enfant sans ses housses. Les housses sont une partie intégrante de la sécurité.

- 37 Dégrafez les sangles d'attache du dispositif de retenue pour enfant et enlevez le coussin d'impact latéral (H) s'il est attaché.
- 38 Appuyez sur la manette de réglage du harnais (E) et desserez les sangles du harnais.
- 39 Appuyez sur le bouton rouge de la boucle du harnais détacher le harnais et enlever le coussin d'entrejambe.
- 40 Ouvrez la fermeture à glissière à l'arrière de la housse du siège. Détachez les sangles des épaules du crochet en métal (S) situé à l'arrière du siège.
- 41 Détachez le Velcro® et retirez les fourreaux de harnais (B) à l'arrière du siège.
- 42 Tirez les sangles des fourreaux et les sangles des épaules hors du siège. Pressez le clip en plastique et tirez doucement l'appui-tête pour le libérer du siège.
- 43 Décrochez les élastiques (i) des deux côtés de l'appui-tête et retirez la housse de l'appui-tête.
- 44 Libérez et retirez la bande en plastique le long de l'avant du siège.

IMPORTANT ! Veuillez à ne tirer que la bande en plastique, NE TIREZ PAS sur le tissu. Entreposez la en plastique dans un lieu sûr afin de pouvoir l'utiliser à nouveau pour remettre la housse en place. Si vous perdez la bande en plastique, vous devez contacter votre détaillant pour la remplacer.

- 45 Ouvrez tous les boutons pression (i), (ii), (iii).

Retirez avec précaution la housse du siège d'autour le boîtier de réglage du harnais (i). Faites passer toutes les sangles dans les fentes de la housse du siège et retirez la housse. Pour mettre la housse en place, inversez les étapes ci-dessus en vérifiant que le harnais et les fourreaux sont acheminés correctement (voir les étapes 9-13 pour plus de détails sur la fixation de l'appui-tête, du harnais et des fourreaux).

Entretien et maintenance

La housse du siège est amovible et peut être lavée en machine à 30 degrés en cycle court. Ne pas mettre la housse au sèche-linge cela pourrait abimer le tissu et le rembourrage. Sur www.axkid.com vous pourrez trouver des vidéos vous expliquant comment enlever et remettre la housse

Toutes les parties en plastique du Move peuvent être nettoyées avec de l'eau et du savon doux. Ne pas utiliser des produits chimiques abrasifs contenant des solvants etc. car cela peut causer des dommages sur le plastique et compromettre la sécurité du siège-auto.

Tous les matériaux du Move sont recyclables et devront être recyclés selon votre législation locale. Pour plus d'informations sur le recyclage de ce produit, demandez conseil à votre centre de tri.

Ne pas modifier ou altérer le siège-auto Move. Suivez les instructions du manuel avec précision. Toutes les réparations devront être effectuées par le fabricant ou par un agent.

Si le siège a besoin d'être réparé, assurez-vous qu'uniquement des pièces d'origine Axkid sont utilisées. Si d'autres pièces sont utilisées, le système de sécurité du Move pourrait être compromis et pourrait amener à de graves blessures voir à la mort en cas d'accident.

Tous les matériaux utilisés ont une haute résistance aux rayons UV, cependant les rayons étant très agressifs il se peut qu'ils fassent déteindre le tissu, ceci n'est pas couvert par la garantie et est considéré comme une usure normale du produit.

Garantie

Le Move est garantie 24 mois à partir de la date d'achat. Assurez-vous de garder la facture et rapportez là ou vous avez acheté le produit si jamais vous avez un problème couvert par la garantie.

La garantie ne couvre pas :

- * l'usure normale
- * les dommages causés par un usage incorrecte, négligence ou par un accident
- * si des réparations ont été effectuées par un tiers.

Axkid Move

Bakovervendt 9–25 kg, med sikkerhetsbelte og fester

Bruksanvisning

Viktig informasjon

Les denne bruksanvisningen før du monterer barnesetet Axkid Move i bilen. Du finner mer informasjon og monteringsvideoer på www.axkid.com.

Takk for at du valgte et barnesete fra Axkid. Vi har mer enn 30 års erfaring med sikkerhet for barn, og vi har gjort vårt ytterste for å gjøre barnesetet Axkid Move så trygt som mulig. Barnesetet Axkid Move er godkjent i samsvar med ECE R44/04, de nyeste europeiske standardene for barnesikkerhet. For å gi barnet maksimal sikkerhet, er det viktig at du husker på følgende:

Les denne bruksanvisningen grundig før du monterer barnesetet Axkid Move. Hvis du er i tvil, kan du kontakte forhandleren for å få en demonstrasjon av riktig montering. Feil montering kan være farlig for barnet.

Ikke bruk barnesetet i et sete hvor det finnes aktive kollisjonsputer. Hvis du likevel ønsker å montere Axkid Move i slike seter, må kollisjonsputen deaktiveres av et godkjent verksted. Enkelte biler har en bryter slik at du kan deaktivere kollisjonsputen manuelt. Kontroller alltid bilens dashboard, som viser at kollisjonsputen er deaktivert.

Omfattende forskning har vist at risikoen for alvorlige skader eller dødsfall er fem ganger større for et lite barn som sitter i et forovervendt barnesete sammenlignet med et bakovervendt barnesete. I Axkid Move kan barnet sitte bakovervendt til det er 25 kg.

Bruk alltid støttebeinet når du monterer Axkid Move. Støttebeinet er en viktig sikkerhetsfunksjon som er designet for å gi barnet maksimal sikkerhet i en ulykke.

Hvis du blir utsatt for en ulykke, uansett hvor alvorlig den er, skal barnesetet byttes. Det kan ha fått skader som ikke kan oppdages og som kan svekke barnets sikkerhet. Derfor anbefaler ikke Axkid at du kjøper brukt barnesete.

Ikke la barnet sitte uten tilsyn i bilen.

Påse at all bagasje og løse gjenstander er sikret i bilen, siden de kan skade passasjerer i en kollisjon.

Oppbevar denne bruksanvisningen i sin egen lomme (O) på barnesetet.

Innhold

Barnesetet Axxid Move er egnet for barn fra rundt seks måneder, eller fra barnet kan sitte uten støtter, og opp til seks år. Barnesetet skal KUN monteres bakovervendt.

Deler	76
Tillatt og forbudt plassering av barnesetet Bakovervendt 9–25 kg, med sikkerhetsbelte og fester	76-77
Bilsetet kan brukes av barn mellom 9 og 25 kg.	77-73
Fjerne og feste trekkene	73
Vedlikehold	74
Garanti	74

Deler

A	Nakkestøtte	K	Feste for polstring for sidestøt
B	Integrert sikkerhetsbelte	L	Festestopper
C	Beltespenne	M	Beltelås
D	Spor til bilbelte	N	Grå knapp
E	Knapp for å justere sikkerhetssele	O	Lomme for oppbevaring av bruksanvisningen
F	Stropp til å justere sikkerhetssele	P	Glidelås
G	Ryggvinkelblokk	Q	Støttebein
H	Polstring for sidestøt	R	Knapp for å forlenge støttebein
I	Hæler	S	Feste
J	Vertikalt spor		

Tillatt og forbudt plassering av barnesetet

1 Barnesetet kan brukes i alle forovervendte passasjer seter med trepunkts sikkerhetsbelte (i), forutsatt at det ikke finnes en aktiv kollisjonspute der. Barnesetet skal ikke brukes med topunkts sikkerhetsbelte (ii).

VIKTIG: Hvis du skal montere Axxid Move på et sted hvor det er kollisjonspute, må kollisjonsputen deaktiveres hos et godkjent verksted. Enkelte biler har en bryter slik at du kan deaktivere kollisjonsputen manuelt. Kontroller alltid bilens dashboard, som viser at kollisjonsputen er deaktivert.

ADVARSEL: Må aldri brukes på et sete som har en aktiv kollisjonspute

ADVARSEL: Må aldri brukes på bakovervendte eller sidevendte seter

ADVARSEL: Kollisjonsputer er utformet for voksne og kan føre til alvorlige skader på barnet ved en kollisjon

Tillatt og forbudt plassering av barnesetet:

Passasjer sete foran (uten aktiv kollisjonspute)	JA
Passasjer sete foran (med aktiv kollisjonspute)	NEI
Fremovervendt sete med trepunkts sikkerhetsbelte	JA
Sete med topunkts sikkerhetsbelte	NEI
Sidevendt sete	JA
Bakovervendt sete	NEI



Barnesetet må aldri brukes i en bil som ikke er utstyrt med ECE Reg 16-godkjent trepunkts sikkerhetsbelte.

Bakovervendt 9–25 kg med sikkerhetsbelte og fester

Justering av nakkestøtte og selehøyde

- 2 Før du monterer barnesetet, må du påse at nakkestøtten er montert i riktig høyde for barnet. Når selen er riktig montert, skal den gå fra baksiden av setet til forsiden, og den skal ligge rett over barnets skuldre.
- 3 For å justere høyden på nakkestøtten og selen, må du først løsne selen. Trykk på knappen for å justere sikkerhetsdelen (E), og trekk skulderstroppene (ikke skulderpolstringen) fremover slik at selen løsnes helt.
- 4 Åpne glidelåsen (P) på baksiden av setetrekket.
- 5 Løsne skulderreimene fra festet (S) på baksiden av barnesetet.
- 6 Løsne borrelåsen, og løsne skulderputene (B) på baksiden av setet.
- 7 Trekk skulderputene og skulderreimene ut fra setet.
- 8 Klen på plastklipsen, og trekk nakkestøtten forsiktig ut av setet.
- 9 Plasser nakkestøtten ved en av de tre høydene som best passer barnet. Skyv bunnen av nakkestøtten til plastklipsen låses på plass.

- 10 Mat selene (i) gjennom skulderputene (ii).
- 11 Før stroppene og skulderputene gjennom hullene i nakkestøtten til baksiden av setet. Påse at alle stropper havner i samme høyde. Koble sammen de to skulderputestroppene ved hjelp av borrelåsen.
- 12 Fest stroppene til festet igjen.
- 13 VIKTIG! Påse at stroppene går gjennom hull i samme høyde på nakkestøtte og sete. VIKTIG! Påse at selen føres mellom setet og støttebeinet. Selen skal IKKE gå over støttebeinets horisontale bjelke (i).
- 14 Kontroller høyden ved å plassere barnet i setet.

ATTENTION: Ne jamais utiliser ce siège auto sans les coussinets de harnais. Les coussinets sont un élément de sécurité important.

Plassere barnesetet

- 15 Den enkleste måten å løfte Axxid Move inn i bilen på, er med ryggen først. Plasser barnesetet i bilen med ryggen vendt mot bilens front.
- 16 Hælene (I) skal plasseres over kanten på bilens sete. Hælens vertikale spor (J) skal stå på linje vertikalt med enden av bilens sete. Hvis du monterer barnesetet i en liten bil, eller hvis barnet ikke trenger ekstra beinplass, kan du isteden plassere hælen på bilens sete. Det gir også en mer tilbakeleant posisjon.

Merke: Når du monterer Axxid Move i forsetet, er det mulig, men ikke avgjørende, at ryggen på barnesetet kommer i kontakt med dashbordet.

- 17 For å justere vinkelen på barnesetet, roterer du blokken (G) til en av de to posisjonene. Du må alltid velge den mest oppreiste stillingen, men barnet må klare å holde hodet sitt oppe, og vinkelen skal være stor nok til at barnets hode ikke faller fremover når det sover. Tommelfingerregelen er at jo eldre barnet er, desto mer rett skal ryggen på barnesetet være. Når du har montert Axxid Move, vil barnesetet være litt mer tilbakeleant, siden det synker ned i bilens sete når sikkerhetsbelter og festestropper strammes.



Barnesetet må aldri monteres i et sete hvor det finnes en aktiv kollisjonspute.



Feste bilens sikkerhetsbelte

18 Åpne låseklipsene (M) på begge sider av barnesetet. Trekk ut sikkerhetsbeltet helt til midjedelen er minst 70–80 cm. Mat sikkerhetsbeltet gjennom sporet (D) mellom setetrekket og setet til beltet kommer ut gjennom sporet på den andre siden. Hvis du foretrekker det, kan du isteden mate sikkerhetsbeltet gjennom sporet (D), over trekket for sikkerhetsbeltet og deretter gjennom sporet på den andre siden.

19 Før enden av sikkerhetsbeltet inn i bilens spenne. Trekk i sikkerhetsbeltet slik at det ligger stramt. Fest både midje- og skulderbeltet i låsen nærmest bilsetets spenne.

20 I låsen på motsatt side er det kun midjebeltet som skal festes.

Montere festestroppene

21 Løsne stroppene fra barnesetet.

22 Trykk på den grå knappen (N), og trekk hempeenden ut for å maksimere stroppens lengde.

23 For å feste stroppene til et festepunkt, fører du stroppen rundt valgt festepunkt, og deretter fører du metallklipsen gjennom hempen.

24 Når du monterer Axkid Move i baksetet, fører du stroppene gjennom enten bakre del av forsetets skinner (i) eller forsetets hengsler (ii).

25 Når du monterer Axkid Move i passasjeret foran, skal stroppene føres rundt nærmeste egnede festepunkt (i) slik at stroppene kan strammes helt. Festepunkter som ligger lengre bak (ii) kan brukes, og ved behov kan stroppene krysses (iii) og også festes sammen i en løkke (iv).

26 Monter metallklipsene på hver side av barnesetet igjen, og trekk i de løse endene av begge festestropper til du har strammet dem. Trekk en gang til i hver stropp, så hardt som mulig, for å feste barnesetet godt.

27 Brett ut støttebeinet (Q) til maksimal vinkel. Trykk på knappen for å forlenge støttebeinet (R), og forleng det til støttebeinet kommer i kontakt med gulvet.

Merk: Støttebeinbeltet kan strammes helt, men det er ikke nødvendig.

28 Kontroller at støttebeinet har en vinkel på mer enn 10° fra seteryggen. Dette kan du kontrollere ved å påse at støttebeinet er lengre unna setet enn den vertikale linjen.

29 Trekk hardt i stroppene på begge sider av setet for å feste det best mulig.

Hvis du har montert Axkid Move i baksetet, kan du nå flytte forsetet til en behagelig posisjon.

Merk: Det kan hende at barnesetets rygg kommer i kontakt med ryggen på forsetet, men dette er ikke nødvendig.

Bruke polstring for sidestøt

Selv om det er valgfritt, anbefaler vi PÅ DET STERKESTE at du bruker polstring for sidestøt der det er mulig. Den gir ekstra beskyttelse ved sidekollisjoner.

30 Finn festet for polstring for sidestøt (K) på barnsetet nærmest bilens side (altså nærmest døren).

VIKTIG: Påse at de to trekantede pilene (i) på polstringen for sidestøt (H) peker i samme retning som pilen på festet for polstring for sidestøt (K).

Plasser den øvre av de to ovale åpningene på undersiden av polstringen for sidestøt, over festet for polstring for sidestøt. Skyv polstringen for sidestøt mot siden av barnesetet, og før polstringen opp på festet på siden. Du føler et lite klikk når polstringen festes.

For å fjerne: Skyv polstringen for sidestøt nedover, og fjern den.

Plassere barnet i setet

Før du plasserer barnet i setet, må du påse at nakkestøtte og sele er justert til riktig høyde (se trinn 2 til 14)

31 Trykk på knappen for å justere sikkerhetssele (E), og trekk skulderstroppene (ikke skulderpolstringen) fremover slik at selet løsnes helt.

32 Trykk på den røde utløserknappen på spennen, og løsne selet.

33 Plasser barnet i barnesetet. Legg barnets armer mellom skulderstroppene slik at stroppene henger over bryst og mage.

34 Trekk skulderstroppene sammen, og førtungene inn i spennen i skrittet.

35 Trekk i stroppe for å justere sikkerhetssele (F). Det er viktig at du alltid trekker selet rett, fra midten, når du strammer den. Hvis du ikke trekker riktig i selet, kan stroppe sette seg fast i mekanismen.

Fjerne barnesetet fra bilen

ADVARSEL: Du må aldri forsøke å fjerne barnesetet mens barnet sitter i det.

Åpne låseklipsene (M) på begge sider av barnesetet. Åpne bilens spenne (i), og fjern sikkerhetsbeltet helt fra barnesetet. Slå sammen støttebeinet (Q). Løsne festestroppene (L) fra barnesetet, og fjern barnesetet fra bilen. Til slutt fjerner du festestroppene fra bilens festepunkter, og deretter fester du den på barnesetet.

36

Fjerne og feste trekkene

ADVARSEL: Barnesetet må aldri brukes uten trekk. Trekkene er en viktig sikkerhetsfunksjon.

37

Løsne festestroppene fra barnesetet, og fjern polstring for sidestøt (H), hvis den er montert.

38

Trykk på knappen for å justere sikkerhetselen (E), og trekk skulderstroppene (ikke skulderpolstringen) fremover slik at selen løsnes helt.

39

Trykk på den røde utløserknappen på spennen for å løsne selen, og fjern skrittputen.

40

Åpne glidelåsen på baksiden av setetrekket. Løsne skulderreimene fra festet (S) på baksiden av barnesetet.

41

Løsne borrelåsen, og løsne skulderputene (B) på baksiden av setet.

42

Trekk skulderputene og skulderreimene ut fra setet. Klen på plastklipsen, og trekk nakkestøtten forsiktig ut av setet.

43

Løsne de elastiske hempene (i) på begge sider av nakkestøtten, og fjern nakkestøttetrekket.

44

Løsne og fjern plaststripen langs fronten av barnesetet. **VIKTIG!** Dra i plaststripen, IKKE i stoffet. Oppbevar plaststripen på et trygt sted til du skal montere setetrekket igjen. Hvis du mister plaststripen, må du kjøpe en ny fra forhandleren.

45

Løsne alle trykknapper (i), (ii), (iii).

46

Fjern setetrekket forsiktig rundt huset for selejusteringen (i). Før alle stropper gjennom sporene i setetrekket, og fjern trekket.

Bruk omvendt fremgangsmåte for å montere trekket. Påse at selen og skulderputene monteres på riktig måte (se trinn 9–13 for informasjon om hvordan du skal feste nakkestøtte, sele og skulderputer).

Vedlikehold

Setetrekket kan fjernes og vaskes i maskin på 30 °C. Bruk et skånsomt program. Trekket må ikke tørkes i tørketrommel. Det kan skade trekket og føre til at polstringen løsner fra stoffet. På www.axkid.com finner du filmer som viser hvordan trekket bør fjernes og monteres.

Plastdeler på Axxid Move kan rengjøres med mild såpe og vann. Ikke bruk kraftige kjemikalier som inneholder løsemidler eller lignende, siden det kan skade plasten og føre til at barnesetet ikke er like sikkert.

Alle materialer som brukes i barnesetet Axxid Move kan resirkuleres og bør leveres til miljøstasjon. Kontakt nærmeste miljøstasjon for å få råd om resirkulering av produktet.

Du må ikke endre eller modifisere barnesetet Axxid Move på andre måter enn de som beskrives i bruksanvisningen. Følg instruksjonene i denne bruksanvisningen grundig.

Eventuelle reparasjoner skal utføres av produsenten eller forhandleren. Hvis setetrekket må byttes, må du kun bruke originale produkter fra Axxid. Hvis det brukes andre produkter, kan det føre til at Axxid Moves sikkerhetssystem blir kompromittert, noe som kan føre til alvorlige skader eller dødsfall ved en ulykke.

Alle materialer som brukes, er meget UV-bestandige. Men UV-lys er svært aggressivt, og vil til slutt føre til at setetrekket blenker. Dette dekkes ikke av garantien, siden det anses som normal slitasje.

Garanti

Barnesetet Axxid Move leveres med 24 måneders garanti fra kjøpsdato. Ta vare på kvitteringen, og ta den med til forhandleren hvis du har garantispørsmål.

Garantien dekker ikke:

- Normal slitasje
- Skader som skyldes feil bruk, forsømmelser eller ulykker
- Reparasjoner som er utført av tredjepart

Axkid Move

Selkä menosuuntaan kiinnitys auton turvavöillä ja kiinnitysvöillä 9-25 kg

Käyttöohje

Tärkeää tietoa

Lue nämä käyttöohjeet ennen kuin asennat Axkid Move-turvaistuimen autoon. Lisätietoja ja kiinnitysvideoita osoitteessa www.axkid.com.

Kiitos, että valitsit Axkid-turvaistuimen. Työryhmällämme on yli 30 vuotta kokemusta lasten turvallisuustuotteiden valmistuksesta, ja me olemme tehneet kaikkemme tehdäksemme Axkid Move-istuimesta niin turvallisen kuin mahdollista. Move-turvaistuin on hyväksytty viimeisimpiä eurooppalaisia turvallisuussäädoksiä noudattavan ECE R/44 04-sertifikaatin mukaan. Lapsesi turvallisuuden maksimoimiseksi on tärkeää huomioida seuraavat asiat:

Lue nämä käyttöohjeet huolellisesti, ennen kuin asennat Axkid Move-turvaistuimen. Jos epäroit, ota yhteyttä jälleenmyyjään, joka voi näyttää oikean asennustavan. Väärin asennettu istuin voi asettaa lapsesi vaaraan.

Älä käytä turvaistuinta penkillä, jossa on kytketty turvatyyny. Jos haluat silti kiinnittää Axkid Move tälle penkille, turvatyyny on kytkettävä pois valtuutetussa huoltooliikkeessä. Joissain autoissa voi olla avain, jolla turvatyynyn voi manuaalisesti kytkeä pois päältä. Varmista auton merkkivalosta, onko turvatyyny kytketty pois päältä.

Pidä lapsesi selkä menosuuntaan niin pitkään kuin mahdollista. Tutkimusten mukaan kohtalokkaan onnettomuuden riski on viisinkertainen, jos lapsesi istuu kasvot menosuuntaan. Move-istuimessa lapsesi voi istua selkä menosuuntaan aina 25 kiloon asti.

Käytä aina tukijalkaa, kun asennat Axkid Move-istuimen. Tukijalka on istuimessa erittäin tärkeä turvallisuustekijä, ja se on suunniteltu nimenomaan lapsesi turvallisuutta ajatellen.

Turvaistuin on aina vaihdettava uuteen mahdollisen auto-onnettomuuden sattuessa, vaikka onnettomuus olisikin pieni. Pienikin onnettomuus saattaa vaurioittaa istuinta ja vaikuttaa lapsesi turvallisuuteen. Tästä syystä Axkid ei suosittele käytetyn turvaistuimen ostamista.

Älä koskaan jätä lastasi vartioimatta autoon.

Varmista, että kaikki matkatavarat tai irralliset esineet on kiinnitetty autossa, koska ne voivat aiheuttaa vammoja matkustajille törmäystilanteessa.

Säilytä nämä käyttöohjeet niitä varten tarkoitetussa taskussa (O) istuimessa.

Sisältö

Axxid Move-turvaistuin sopii vauvalle, noin puolivuotiaasta alkaen tai kun lapsi osaa istua tuetta, aina kuuteen vuoteen asti. Tämän turvaistuimen voi asentaa **VAIN** selkä menosuuntaan.

Osat	84
Turvaistuimen sallittu ja kielletty sijoittaminen	84-85
Selkä menosuuntaan kiinnitys auton turvavöillä ja kiinnitysvöillä 9–25 kg	85-89
Tätä istuinta voidaan käyttää lapsilla, joiden paino on 9–25 kg	89
Päälysteiden irrottaminen ja kiinnittäminen	90
Hoito-ohjeet	90

Osat

A	Pääntuki	K	Sivutörmäyssuojan liitin
B	Istuimen valjaat	L	Kiinnitysvyöt
C	Valjaiden lukko	M	Vyön lukkolaite
D	Turvavyön paikka	N	Harmaa painike
E	Valjaiden säätöpainike	O	Tasku käyttöohjeelle
F	Valjaiden säätöhihna	P	Vetoketju
G	Kallistuskappale	Q	Tukijalka
H	Sivutörmäyssuoja	R	Tukijalan säätöpainike
I	Korokepalat	S	Solki
J	Pystysuora linja		

Turvaistuimen sallittu ja kielletty sijoittaminen

1 Turvaistuinta voi käyttää kaikissa katse menosuuntaan olevissa auton penkeissä, joissa on 3-pisteturvavö (i), jos turvatyyny ei ole kytketty. Turvaistuinta ei voi käyttää 2-pistevyön (ii) kanssa.

TÄRKEÄÄ: Jos haluat asentaa Moven paikkaan, jossa on turvatyyny, turvatyynyn tulee olla kytketty pois päältä valtuutetun huoltoilikeen toimesta. Joissain autoissa voi olla avain, jolla turvatyynyn voi manuaalisesti kytkeä pois päältä. Varmista auton merkkivalosta, onko turvatyyny kytketty pois päältä.

VAROITUS: Älä koskaan käytä istuinta, kun turvatyyny on kytketty päälle

VAROITUS: Älä käytä koskaan taakse tai sivulle suunnatuilla autonpenkeillä

VAROITUS: Turvatyynyt on suunniteltu aikuisille, ja ne voivat vakavasti vahingoittaa lastasi kolarissa

Turvaistuimen sallittu ja kielletty sijoittaminen:

Etupenkki (ei päälle kytkettyä turvatyynyä)	JA
Etupenkki (päälle kytketty turvatyyny)	NEI
Eteenpäin oleva penkki, jossa on 3-pisteturvavyö	JA
Penkki, jossa on 2-pisteturvavyö	NEI
Sivulle suunnatut penkit	JA
Taaksepäin suunnatut penkit	NEI



Älä koskaan käytä tätä turvaistuinta autossa, jossa ei ole ECE Reg 16 -hyväksyttyä kolmipisteistöä.

Selkä menosuuntaan kiinnitys turvavöillä ja kiinnitysvöillä 9–25 kg

Pääntuen ja valjaiden korkeuden säätäminen

- Ennen kuin asennat turvaistuimen, varmista, että pääntuki on lapsellesi oikealla korkeudella. Kun valjaat on oikein asennettu, ne kulkevat istuimen takaa eteen juuri lastesi hartioiden korkeudelta.
- Jotta voit säätää pääntuen ja valjaiden korkeutta, sinun tulee ensin irrottaa valjaat. Paina valjaiden säätöpainiketta (E) ja vedä olkahihnoja eteenpäin (ei olkapehmusteita), jolloin valjaat löystyvät.
- Avaa vetoketju (P) istuimen päällysteestä.
- Irrota olkahihnat istuimen takaosasta (S).
- Avaa tarranauha ja irrota olkapehmusteet (B) istuimen takaa.
- Vedä olkapehmusteet ja olkahihnat istuimesta.
- Purista muoviliitintä ja vedä varovasti pääntuki pois istuimesta.
- Asenna pääntuki uudelleen yhteen kolmesta korkeudesta, joka sopii parhaiten lapsellesi. Paina pääntukea kunnes muoviliitin lukittuu paikalleen.

- 10 Vedä valjaat (i) olkapehmusteiden läpi (ii).
- 11 Pujota valjaat ja olkapehmusteet istuimen takana pääntuessa olevien reikien läpi, jotta varmistat, että kaikki hihnat ovat samalla korkeudella. Kiinnitä kaksi olkapehmustetta Velcro®-tarranauhalla.
- 12 Kiinnitä valjaat solkeen.
- 13 TÄRKEÄÄ! Varmista, että valjaiden hihnat kulkevat samalla korkeudella olevista rei'istä pääntuessa ja istuimessa. TÄRKEÄÄ! Varmista, että valjaat kulkevat istuimen ja tukijalan välillä. Valjaat EIVÄT SAA kulkea tukijalan vaakasuoran tangon (i) yli.
- 14 Varmista, että korkeus on oikea asettamalla lapsesi istuimeen.

VAROITUS! Älä koskaan käytä tätä turvaistuinta ilman olkapehmusteita. Olkapehmusteet ovat erittäin tärkeä turvallisuusominaisuus.

Turvaistuimen sijoittaminen

- 15 Helpoin tapa nostaa istuin autoon, on tehdä se istuimen takaosa edellä. Aseta turvaistuin autoon siten, että istuimen selkäpuoli osoittaa auton etuosaan.
- Korokepalojen (I) tulee olla auton istuimen reunan ulkopuolella. Korokepalojen pystysuoran linjan (J) tulee olla samansuuntaisesti pystysuorassa auton istuimen kanssa. Jos asennat istuinta pieneen autoon, tai jos lapsi ei tarvitse ylimääräistä jalkatilaa, voit sen sijaan sijoittaa korokepalat kokonaan auton penkille, jolloin istuin on kaltevammissa asennossa.

Huomautus: Kun asennat Moven etuistuimelle, turvaistuimen selkänöja saattaa nojata kojelautaan, mutta se ei ole välttämätöntä.

- 17 Voit säätää turvaistuimen kallistusta kiertämällä osaa (G) ja valita toisen kahdesta kallistuskulmasta. Valitse aina mahdollisimman pysty asento. Lapsen tulee kuitenkin osata itse pitää päätään pystyssä, ja istuimen tulee olla riittävän kallellaan, jotta lapsen pää ei kallistu eteenpäin hänen nukkuessaan. Nyrkkisääntönä on, että mitä vanhemmaksi lapsi kasvaa, sitä pystympään asentoon istuin voidaan asentaa. Huomaa myös, että Move painautuu hieman alaspäin ja kallistuu, kun se on kiinnitetty auton istuimeen turvatöitä ja kiinnitysvöitä kiristämällä.



Älä koskaan käytä turvaistuinta matkustajan penkillä, jossa on kytketty turvatyyny.



Ajoneuvon turvavyön kiinnitys

18 Avaa Axxid Move-turvaistuimen vyölukot (M) istuimen molemmilta puolilta. Vedä turvavyötä, kunnes vyötä on ulkona vähintään 70-80 cm. Työnnä turvavyö aukkoon (D) ja vedä se istuimen päällysteen ali, kunnes se tulee ulos toisella puolella olevasta aukosta. Jos haluat, voit sen sijaan vetää vyön istuimen turvayöaukon (D) läpi, sitten istuimen päällysteen yli ja toisella puolella olevasta turvayöaukosta.

19 Aseta istuimen vyösolki auton turvavyön lukkoon. Vedä turvavyötä, kunnes vyö on koko matkalta kireällä. Lukitse lantio- ja olkavyö lähimpänä olevaan auton turvayöluukkoon.

20 Vastakkaisella puolella vain lantiovyö lukitaan.

Kiinnitysvöiden kiinnittäminen

21 Avaa kiinnitysvyöt turvaistuimesta.

22 Paina harmaata painiketta (N) ja vedä hihnaa ulos, jotta hihna olisi mahdollisimman pitkä.

23 Kiinnittäaksesi kiinnitysvyöt ankkurointipisteeseen, kiedo hihna valitun ankkuripisteen ympärille ja vedä metalliliitin silmukan läpi.

24 Kun asennat Moven takapenkille, kiedo kiinnitysvyöt joko etupenkin takana oleviin kiskoihin (i), tai etuistuimen toiseen sopivaan kiinnityskohtaan (ii).

25 Kun asennat Moven etupenkille, kiinnitysvyöt tulee kietoa lähimpään sopivaan ankkurointipisteeseen (i), joka mahdollistaa, että hihnat voidaan kiristää tiukaksi. Kauempana olevaa ankkurointipistettä (ii) voidaan käyttää ja tarvittaessa hihnat voidaan laittaa ristiin (iii) ja jopa kiertää yhteen (iv).

26 Kiinnitä metalliliittimet istuimen kumpaankin sivuun ja vedä kiinnitysvöiden vapaita päitä kunnes ne on kiristetty. Vedä vielä kerran hihnoja mahdollisimman kovaa varmistaaksesi, että turvaistuin on tiukasti kiinni.

27 Vapauta tukijalka (Q) suurimpaan mahdolliseen kulmaansa. Paina jalan säätöpainikkeesta (R) ja vedä tukijalka auki siten, että se osuu lattiaan.
Huomautus: Tukijalan vyö voi olla kokonaan kiristetty, mutta sen ei tarvitse olla.

28 Sinun on tärkeää tarkistaa, että tukijalan kulma on yli 10 asteen kulmassa penkin takaosasta. Voit tarkistaa tämän varmistamalla, että tukijalka on kauempana istuimesta kuin pystysuorasta linjasta.

29 Vedä nyt tukevasti istuimen molemmilla puolilla olevista hihnoista varmistaaksesi, että istuin on kunnolla kiinnitetty.

Jos olet asentanut Moven takapenkille, voit nyt siirtää etuistuimen mukavaan asentoon.

Huomautus: Etupenkin takaosa saattaa olla kiinni turvaistuimessa, mutta se ei ole pakollista.

Sivutörmäyssuojan käyttäminen

Suosittelemme EHDOTTOMASTI käyttämään sivutörmäyssuojia, vaikka se onkin vapaaehtoista. Suojat antavat kuitenkin lisäsuojaa sivukolareissa.

30 Turvaistuimessa oleva sivutörmäyssuojan liitin (K) sijoitetaan lähimmäksi auton ovea.

TÄRKEÄÄ: Varmista, että sivutörmäyssuojan (i) kaksi kolmiomaista nuolta (H) osoittavat samaan suuntaan kuin sivutörmäyssuojan liittimen kolmiomainen nuoli (K).

Aseta sivutörmäyssuojan pohjassa olevista kahdesta ovaalista aukosta ylempi sivutörmäyssuojan liittimen päälle. Paina sivutörmäyssuojaa istuimen reunaan vasten ja liu'uta sivutörmäyssuojaa ylöspäin sivutörmäyssuojan liittimeen. Tunnet pienen napsahduksen, kun sivutörmäyssuoja lukittuu paikalleen.

Irrottaminen: Työnnä sivutörmäyssuojaa alaspäin ja irrota.

Lapsen asettaminen istuimeen

Ennen kuin asetat lapsesi istuimen, varmista, että olet säätänyt pääntuen ja valjaat lapsellesi oikealle korkeudelle (katso vaiheet 2-14)

31 Paina valjaiden säätöpainiketta (E) ja vedä olkahihnoja eteenpäin (ei olkapehmusteita), jolloin valjaat löystyvät.

32 Paina lukon punaista valjaiden vapautuspainiketta ja irrota valjaat.

33 Aseta lapsi turvaistuimeen. Pujota lapsen kädet olkahihnojen alle, jolloin hihnat roikkuvat rinnan ja vatsan päällä.

34 Vedä olkahihnat yhteen ja kiinnitä valjaiden päät lapsen jalkojen välissä olevaan lukkoon.

35 Vedä valjaiden säätöhihnaa (F). Sinun on tärkeää vetää aina valjaita suoraan ja keskelle, kun kiristät säätöhihnaa. Jos valjaita vedetään väärin, hihna voi jumiutua.

Turvaistuimen irrottaminen autosta

VAROITUS: Älä koskaan yritä poistaa turvaistuinta, kun lapsesi istuu siinä.

- 36 Avaa Move-turvaistuimen vyölukot (M) istuimen molemmilta puolilta. Vapauta auton turvavyön solki (i) ja irrota turvavyö kokonaan turvaistuimesta. Työnähä tukijalka sisään (Q). Irrota kiinnitysvyöt (L) turvaistuimesta ja poista istuin autosta. Irrota lopuksi kiinnitysvyöt auton ankkurointipisteistä ja kiinnitä ne uudelleen turvaistuimeen.

Päällysteiden irrottaminen ja kiinnittäminen

VAROITUS: Älä koskaan käytä turvaistuinta ilman päällystettä. Päällyste on osa istuimen turvaominaisuutta.

- 37 Irrota kiinnitysvyöt turvaistuimesta ja poista sivutörmäyssuoja (H), jos se on kiinnitetty istuimeen.
- 38 Paina valjaiden säätöpainiketta (E) ja vedä olkahihnoja eteenpäin (ei olkapehmusteita), jolloin valjaat löystyvät.
- 39 Paina lukon punaista valjaiden vapautuspainiketta irrottaaksesi valjaat ja poistaaksesi haarapehmusteen.
- 40 Avaa vetoketju istuimen päällysteestä. Irrota olkahihnat istuimen takaosasta (S).
- 41 Avaa tarranauha ja irrota olkapehmusteet (B) istuimen takaa.
- 42 Vedä olkapehmusteet ja olkahihnat istuimesta. Purista muoviliitintä ja vedä varovasti pääntuki pois istuimesta.
- 43 Irrota joustavat silmukat (i) pääntuen molemmilta puolilta ja irrota pääntuen päällyste.
- 44 Vapauta ja irrota muovinauha turvaistuimen edestä. **TÄRKEÄÄ!** Varmista, että vedät muovinauhasta, **ÄLÄ** vedä kankaasta. Pidä muovinauha tallessa siihen asti, kun laitat päällysteen takaisin paikalleen. Jos kadotat muovinauhan, ota yhteyttä jälleenmyyjään saadaksesi uuden.
- 45 Avaa kaikki painonapit (i), (ii), (iii).
- 46 Irrota päällyste varovasti valjaiden säätökotelon (i) ympäriltä. Vedä kaikki hihnat päällysteen aukkojen läpi ja irrota päällyste.

Laita päällyste takaisin paikalleen seuraamalla yllä olevia vaihteita päinvastaisessa järjestyksessä, jotta valjaat ja olkapehmusteet ovat oikeassa asennossa (ks. vaiheista 9-13 lisätietoja pääntuen, valjaiden ja olkapehmusteiden kiinnittämisestä).

Hoito-ohjeet

Istuimen päällysteen voi irrottaa ja pestä pesukoneessa 30 °c:ssa käsinspesuohjelmalla. Älä laita päällystettä kuivausrumpuun, koska se saattaa vahingoittaa päällystettä ja pehmuste saattaa irrota kankaasta. Sivulla www.axkid.com on videoita, joissa on ohjeet päällysteen irrottamiseen ja takaisin laittamiseen.

Move-istuimen muoviosat voi puhdistaa miedolla puhdistusaineella ja vedellä. Älä käytä syövyttäviä kemikaaleja sisältäviä pesuaineita jne, koska ne saattavat vahingoittaa muovia ja vaikuttaa istuimen turvallisuuteen.

Kaikki Move-istuimessa käytetyt materiaalit ovat kierrätettäviä, ja ne tulee kierrättää paikallisen lainsäädännön mukaisesti. Kysy paikalliselta kierrätyskeskukseltasi neuvoja tuotteen kierrättämiseen.

Älä tee mitään sellaisia säätöjä tai korjauksia Move-istuimeen, joita ei tässä ohjekirjassa mainita. Noudata tämän käyttöohjeen ohjeita huolellisesti. Valmistajan tai valmistajan edustajan on tehtävä kaikki korjaukset.

Jos istuimen päällyste on vaihdettava, varmista että siihen käytetään ainoastaan Axkidin alkuperäisiä tuotteita. Muutoin Moven turvajärjestelmä ei ehkä toimi oikein, ja lapsesi turvallisuus vaarantuu ja saattaa johtaa vakavaan vammaan tai kuolemaan onnettomuuden sattuessa.

Kaikki istuimessa käytetyt materiaalit kestävät erittäin hyvin UV-säteilyä. UV-säteily on kuitenkin erittäin voimakasta ja johtaa lopulta päällyskankaan haalistumiseen. Takuu ei kata tällaista kulumista, koska sitä pidetään normaalina kulumisena.

Takuu

Axkid Move-istuimella on 24 kuukauden takuu ostopäivästä alkaen. Säilytä ostokuitti ja ota se mukaan ostopaikkaan takuuasioiden hoidon yhteydessä.

Takuu ei kata:

- normaalia kulumista
- vahinkoa, joka on aiheutunut virheellisestä käytöstä, laiminlyönnistä tai onnettomuudesta
- jos kolmas osapuoli on tehnyt istuimeen korjauksia

Axkid Move

Scaun auto rear-facing (cu spatele la direcția de mers) pentru categoria 9-25 kg, cu prindere în centura de siguranță a mașinii în 3 puncte

Manual de instrucțiuni

Informații importante

Citiți acest manual cu instrucțiunile de folosire înainte de instalarea scaunului auto Axkid MOVE în mașina dumneavoastră. Pentru mai multe informații și materiale video privind instalarea, vizitați site-ul www.axkid.ro sau www.axkid.com.

Vă mulțumim pentru faptul că ați ales un scaun de mașină de la Axkid. Echipa noastră are peste 30 de ani de experiență în ceea ce privește siguranța copilului și ne-am dat toată silința pentru a realiza un scaun auto cât mai sigur posibil pentru copilul dumneavoastră. Scaunul auto Axkid MOVE este testat și certificat în conformitate cu ECE R44/04, cea mai recentă normă europeană pentru siguranța copilului.

Pentru a spori siguranța copilului dumneavoastră trebuie să luați în considerare următoarele:

Înainte de a instala scaunul, citiți instrucțiunile cu atenție. În cazul în care nu sunteți sigur că l-ați instalat corect, vă puteți contacta distribuitorul. Acesta vă poate arăta/îndruma în așa fel încât să instalați scaunul în mod adecvat. Instalarea necorespunzătoare determină creșterea riscului de accidentare a copilului.

Niciodată să nu instalați scaunul auto într-un loc în care este activat un airbag frontal. Dacă doriți în continuare să folosiți acel loc, atunci dezactivați airbag-ul la un service autorizat sau folosiți comutatorul care vă permite să deconectați manual airbag-ul (în cazul în care mașina dumneavoastră este dotată cu așa ceva). Este important să verificați întotdeauna dacă lampa indicatoare a vehiculului arată că airbag-ul a fost dezactivat.

În comparație cu un scaun orientat cu spatele la direcția de mers, studiile au demonstrat că riscul de rănire gravă sau mortală a copilului într-un accident este de cinci ori mai mare dacă acesta călătorește într-un scaun care este instalat cu fața la direcția de mers. În Axkid MOVE copilul poate călători cu spatele la direcția de mers până la 25 kg.

Folosiți întotdeauna piciorul de sprijin atunci când montați scaunul Axkid MOVE în mașină. Piciorul de sprijin din spate reprezintă un element foarte important de siguranță, fiind conceput să crească nivelul de siguranță al copilului în cazul unui accident.

În cazul în care sunteți implicat într-un accident, oricât de mic ar fi acesta, este necesar să înlocuiți scaunul. Este posibil ca acesta să fi dezvoltat avarii invizibile ce pot afecta la modul cel mai serios siguranța copilului. Din aceleași considerente Axkid vă recomandă să nu cumpărați un scaun care a fost deja folosit.

Nu lăsați niciodată copilul nesupravegheat în mașină.

Asigurați-vă că orice bagaj sau alte obiecte libere sunt bine securizate în interiorul mașinii, deoarece în caz de coleziune acestea pot cauza leziuni sau chiar răni mortale pasagerilor.

Păstrați acest manual de instrucțiuni în buzunarul dedicat (O) al scaunului auto.

Cuprins

Scaunul Axkid MOVE poate fi folosit de la vârsta de aproximativ 8 luni (sau de când copilul poate sta în șezut nesusținut și are înălțimea adecvată pentru a folosi acest scaun) și până la împlinirea vârstei de 6 ani (respectiv până la 125 de cm înălțime). Acest scaun auto poate fi montat NUMAI cu spatele la direcția de mers.

Piese componente	92
Instalarea corectă a scaunului auto pentru copii	92-93
Scaun auto rear-facing (cu spatele la direcția de mers) pentru categoria 9-25 kg, cu prindere în centura de siguranță a mașinii în 3 puncte	93-97
Detășarea și instalarea husei scaunului	97
Îngrijire și întreținere	98
Garanție	98

Piese componente

A	Tetiera	K	Conector de impact lateral
B	Centuri	L	Curele de prindere
C	Catarama centurilor	M	Cleme de blocare a centurilor de siguranță
D	Fanta centurilor de siguranță	N	Buton gri
E	Buton de reglare a centurilor	O	Buzunar pentru depozitare manual de instrucțiuni
F	Curea de ajustare a centurilor	P	Fermoar
G	Picior de reglare/talpă	Q	Picior de sprijin
H	Tampon impact lateral	R	Buton pentru extinderea piciorului de sprijin
I	Câlcâi	S	Clemă
J	Marginea câlcâiului		

Instalarea corectă a scaunului auto pentru copii

- 1 Scaunul auto poate fi utilizat pe orice scaun de pasageri orientat înainte, care are o centură de siguranță cu prindere în 3 puncte (i), atât timp cât airbag-ul frontal este dezactivat. Scaunul pentru copii NU POATE fi utilizat cu o centură transversală cu prindere în 2 puncte (ii).

IMPORTANT: Dacă doriți să instalați scaunul Axkid MOVE într-o locație în care este montat un airbag frontal, atunci airbag-ul trebuie să fie dezactivat la un centru de service autorizat. Unele vehicule pot fi echipate cu un comutator care vă permite să dezactivați manual airbag-ul. Este important să se verifice întotdeauna dacă indicatorul luminos al vehiculului arată că airbag-ul este oprit.

ATENȚIE: Nu utilizați niciodată scaunul auto pe locul din mașină care are airbag-ul frontal activ

ATENȚIE: Nu utilizați niciodată pe scaunele mașinii orientate cu spatele sau în lateral

ATENȚIE: Airbag-urile sunt proiectate pentru adulți și pot afecta grav copilul, în cazul unui accident

Instalări permise și interzise ale scaunului auto pentru copii:

Scaunul pasagerului din față (fără airbag frontal activ)	DA
Scaunul pasagerului din față (airbag frontal activ)	NU
Scaunul pasagerului cu centura de siguranță prinsă în 3 puncte, orientat cu fața la direcția de mers	DA
Scaunul pasagerului cu centura transversală prinsă în 2 puncte	NU
Scaune orientate în lateral	NU
Scaune orientate cu spatele	NU



Nu folosiți niciodată acest scaun pentru copii într-o mașină care nu este echipată cu centură în trei puncte (standard ECE Reg 16 aprobat).

Scaun auto rear-facing (cu spatele la direcția de mers) pentru categoria 9-25 kg, cu prindere în centura de siguranță a mașinii în 3 puncte

Reglarea tetierei și a centurilor pe înălțime

- Înainte de a instala scaunul auto în mașină asigurați-vă că tetiera este la înălțimea corectă pentru copilul dumneavoastră. Centurile, atunci când sunt instalate corect, ar trebui să fie dirijate din spatele scaunului spre față și să treacă chiar pe deasupra umerilor copilului.
- Pentru a regla înălțimea tetierei și a centurilor va trebui mai întâi să demontați centurile. Apăsând butonul de reglare al centurilor (E) și trageți înainte prin fantele centurilor din dreptul umerilor (nu prin protecțiile de umeri ale centurilor) pentru a slăbi complet centurile.
- Deschideți fermoarul (P) din partea din spate a husei scaunului.
- Deblocați centurile de umăr din clema (S) din spatele scaunului pentru copii.
- Detașați protecțiile de umăr (B) de pe partea din spate a scaunului.
- Trageți cele două centuri ale protecțiilor de umăr afară din scaun.
- Strângeți clemele de plastic și trageți cu grijă tetiera din scaun.
- Repoziționați tetiera într-una dintre cele trei înălțimi care se potrivește cel mai bine copilului. Împingeți partea de jos a tetierei până când se blochează clema de plastic.

- 10 Introduceți centurile de ajustare (i) prin protecțiile de umăr (ii).
- 11 Introduceți centurile de ajustare și protecțiile pentru umăr la spatele scaunului, prin orificiile din tetieră și scaun, asigurându-vă că centurile sunt la aceeași înălțime.
- 12 Conectați centurile în clema metalică (S) și închideți protecțiile de umăr în catarama din plastic.
- 13 IMPORTANT! Asigurați-vă că centurile de prindere trec prin aceleași poziții ale înălțimii orificiilor de pe tetieră și scaun. IMPORTANT! Asigurați-vă că centurile sunt corect direcționate între scaun și piciorul de sprijin. Centurile NU TREBUIE să treacă peste bara orizontală a piciorului suport (i).
- 14 Asigurați-vă că înălțimea este corectă prin poziționarea copilului în scaun.

ATENȚIE: Nu folosiți niciodată acest scaun fără protecțiile pentru umeri. Protecțiile pentru umeri sunt o caracteristică importantă de siguranță.

Poziționarea scaunului pentru copii

- 15 Cea mai ușoară modalitate de a așeza scaunul Axkid Move în vehicul este de a-l poziționa mai întâi cu spatele. Așezați scaunul pentru copii în vehicul cu partea din spate a acestuia către partea din față a vehiculului.
- 16 Călcâiul (I) trebuie să fie așezat pe marginea scaunului/banchetei vehiculului. Marginea călcâiului (J) trebuie să se alinieze vertical cu marginea scaunului/banchetei vehiculului. Dacă instalați într-un vehicul mic sau dacă copilul dvs. nu necesită spațiu suplimentar pentru picioare, puteți instala scaunul lipit de spătarul banchetei/scaunului vehiculului, astfel încât să atingeți și o poziție mai înclinată.

Notă: La instalarea scaunului Axkid MOVE pe scaunul din față este posibil, dar nu esențial, ca partea din spate a scaunului pentru copii să aibă contact cu tabloul de bord.

- 17 Pentru a regla unghiul de înclinare al scaunului pentru copii, deschideți piciorul/talpa (G). Alegeți o înclinare corespunzătoare cu creșterea copilului dvs.. Copilul trebuie să poată să-și țină capul singur, iar scaunul trebuie să fie înclinat suficient astfel încât capul copilului să nu cadă în față când doarme. Regula principală este că, cu cât copilul crește, cu atât se poate reduce înclinarea scaunului. Tensionarea centurilor laterale ale scaunului duce la înclinarea acestuia.



Nu instalați niciodată un scaun pentru copii într-un scaun de pasager dacă airbag-ul frontal este activ.



Prinderea cu centura de siguranță a mașinii

18 Deschideți clemele de blocare ale centurilor de siguranță (M) pe ambele părți ale scaunului pentru copiii Axkid MOVE. Trageți complet de centura de siguranță până când secțiunea transversală a centurii este de cel puțin 70-80 cm lungime. Introduceți centura de siguranță prin fanta centurii de siguranță (D), între husa scaunului și corpul scaunului până când centura iese prin fanta centurii de siguranță pe partea cealaltă. Dacă preferați, puteți introduce în schimb centura de siguranță prin fanta centurii de siguranță (D), apoi peste partea de sus a husei centurii de siguranță și apoi prin fanta centurii de siguranță pe partea cealaltă.

19 Introduceți limba centurii de siguranță în catarama centurii de siguranță a vehiculului. Trageți centura de siguranță până când toată rezerva este îndepărtată de-a lungul traseului centurii de siguranță. Tensionați bine centura de siguranță.

20 Asigurați în clemele de pe lateralele scaunului atât centura care urcă dinspre portieră, cât și centura care coboară în catarama din banchetă. (vezi figurile 19 și 20)

Atașarea centurilor de prindere

21 Detașați cele două centuri de pe lateralele scaunului, prin scoaterea cârligelor din inele.

22 Apăsăți butonul gri (N) și trageți bucla în afară pentru a maximiza lungimea centurei.

23 Pentru a atașa centurile de prindere de un punct de ancorare, înfășurați centura în jurul punctului de ancorare ales și treceți clema de metal prin bucla.

24 Când instalați scaunul Axkid MOVE pe un scaun din spate, înfășurați centurile de prindere fie prin partea din spate a șinelor scaunelor din față (i), fie prin inelele scaunului din față (ii). (inelele se achiziționează separat)

25 Când instalați scaunul Axkid MOVE pe scaunul pasagerului din față, centurile laterale trebuie conectate de două puncte fixe de sub scaun. (vezi figura 25)

26 Reatașați clemele de metal pentru fiecare parte a scaunului pentru copii și trageți capetele libere ale ambelor centuri de prindere până când le-ați tensionat. Trageți fiecare centură încă o dată cât de tare posibil pentru a vă asigura că scaunul pentru copii este fixat bine.

27 Deschideți piciorul de sprijin (Q) la unghiul său maxim. Apăsăți butonul de extensie a piciorului (R) și extindeți piciorul de sprijin până când ajunge la podea.
Notă: Cureaua de susținere a piciorului poate, dar nu este necesar, să fie complet tensionată.

28 Este important să verificați că piciorul de sprijin este la un unghi de peste 10 grade față de partea din spate a scaunului. Puteți verifica acest lucru asigurându-vă că piciorul de sprijin este cât mai departe de scaun.

- 29 Acum trageți ferm centurile de pe ambele părți ale scaunului pentru a vă asigura că scaunul este complet securizat.

Dacă ați instalat Axkid MOVE pe bancheta din spate, puteți muta acum scaunul din față într-o poziție confortabilă.

Notă: Partea din spate a scaunului pentru copii poate, dar nu este obligatoriu să fie în contact cu partea din spate a scaunului din față.

Utilizarea protecției laterale – ASIP

Deși utilizarea protecției laterale este opțională, vă recomandăm cu tărie utilizarea acesteia deoarece asigură un plus de protecție/siguranță în cazul unei coliziuni laterale.

- 30 Identificați care conector de impact (K) al scaunului auto este poziționat cel mai aproape de portiera mașinii.

IMPORTANT: Asigurați-vă că cele două săgeți triunghiulare (I) de pe protecția de impact lateral (H) sunt orientate în aceeași direcție ca săgețile de pe conectorul de impact (K).

Așezați partea superioară a celor două deschizături ovale de pe partea inferioară a protecției de impact lateral peste conectorul de impact lateral. Împingeți protecția de impact lateral pe partea laterală a scaunului auto și glisați protecția de impact lateral în sus pe conectorul de impact lateral. Veți simți o ușoară apăsare deoarece blocul de impact lateral se blochează.

Detășarea protecției laterale: Glisați în jos protecția de impact lateral până se desprinde de pe conector.

Așezarea copilului în scaun

Înainte de a așeza copilul în scaun, asigurați-vă că ați reglat tetiera și centurile de siguranță ale scaunului la înălțimea corectă pentru copilul dumneavoastră (a se vedea pașii de la 2 până la 14).

- 31 Apăsăți butonul de reglare al centurilor (E) și trageți centurile din dreptul umerilor (nu protecțiile pentru umeri) pentru a slăbi complet centurile.
- 32 Apăsăți butonul roșu de pe cataramă și eliberați centurile.
- 33 Așezați copilul în scaunul auto. Securizați copilul cu centurile peste piept și stomac.
- 34 Poziționați limbile de pe centuri și introduceți-le în cataramă.
- 35 Trageți cureaua de reglare a centurilor (F). Este important să trageți întotdeauna drept înainte și central atunci când strângeți cureaua de reglare. Imposibilitatea de a trage în mod corect centurile poate cauza blocarea curelei în mecanism.

Scoaterea scaunului pentru copii din vehicul

ATENȚIE: Nu încercați niciodată să scoateți scaunul pentru copii în timp ce copilul este încă așezat în el.

36 Deschideți clemele de blocare a centurilor de siguranță (M) de pe ambele părți ale scaunului pentru copii. Eliberați limba centurii de siguranță din catarama vehiculului (i), trăgând centura în lateral. Strângeți piciorul suport (Q). Desfaceți cele două centuri (L) de pe lateralele scaunului, eliberând cârligele din inele și scoateți scaunul pentru copii din vehicul. În cele din urmă desfaceți centurile de prindere din punctele de ancorare ale vehiculului și apoi reatașați centurile de prindere pe scaunul pentru copii.

Detașarea și instalarea husei scaunului

Atenție! Nu utilizați niciodată scaunul fără huse. Husele fac parte integrantă din sistemul de siguranță.

- 37 Scoateți dispozitivul de protecție laterală (H) dacă este atașat.
 - 38 Apăsăți butonul de reglare a centurilor (E) și trageți spre înainte centurile de umăr (nu de protecția pentru umăr) pentru a slăbi complet centurile.
 - 39 Apăsăți butonul roșu de pe cataramă pentru a elibera centurile și a scoate protecția cataramei.
 - 40 Deschideți fermoarul husei aflat în spatele scaunului. Deblocați centurile de umăr din clema (S) aflată în spatele scaunului pentru copii.
 - 41 Detașați protecțiile pentru umăr (B) din spatele scaunului, din catarama de plastic.
 - 42 Trageți din scaun centurile de umăr și protecțiile de umăr. Strângeți clemele de plastic și trageți ușor tetiera din scaun.
 - 43 Desfaceți buclele elastice (i) de pe ambele părți ale tetierei și scoateți husa tetierei.
 - 44 Scoateți din clipsuri banda de plastic din partea frontală a șezutului.
Desfaceți toate capsele (i), (ii), (iii).
- IMPORTANT! Asigurați-vă că trageți banda de plastic și NU trageți materialul. Păstrați într-un loc sigur banda de plastic pentru când va fi nevoie să montați din nou husa scaunului. Dacă pierdeți banda de plastic, va trebui să contactați distribuitorul pentru înlocuirea acesteia.
- 45 Desfaceți toate capsele (i), (ii), (iii).
 - 46 Scoateți cu grijă husa scaunului din jurul carcasei dispozitivului de reglare a centurilor (i). Scoateți toate centurile prin orificiile din husa scaunului și scoateți husa.

Pentru a monta husa, inversați pașii de mai sus, asigurându-vă că centurile de prindere și centurile de umăr sunt direcționate corect (consultați pașii 9-13 pentru detalii privind atașarea tetierei, centurilor și protecțiilor pentru umeri).

Îngrijire și întreținere

Husa scaunului poate fi îndepărtată și spălată la mașina de spălat la 30° C, la programul pentru rufe delicate. Nu puneți husa într-un uscător de rufe, deoarece aceasta se poate deteriora și căptușeala se poate separa de țesătură.

Vizitați www.axkid.ro sau www.axkid.com pentru a găsi videoclipuri care explică cum să scoateți și să puneți la loc husa.

Toate piesele din material plastic ale scaunului Axxid MOVE pot fi curățate cu detergent slab și apă. Nu folosiți produse chimice agresive care conțin solvenți, deoarece acest lucru poate duce la deteriorarea materialului plastic și compromite siguranța scaunului pentru copii.

Toate materialele utilizate la fabricarea scaunului sunt reciclabile și este necesar să le reciclați conform legislației locale în vigoare. Adresați-vă centrului de reciclare local pentru sfaturi atunci când reciclați acest produs.

Nu faceți nici o modificare sau transformare a scaunului, altele decât cele descrise în acest manual de instrucțiuni. Urmați instrucțiunile din acest manual cu atenție. Orice reparație trebuie să fie efectuată de către producător sau de către un distribuitor autorizat.

În cazul în care husa scaunului are nevoie de înlocuire, asigurați-vă că sunt utilizate doar produse originale Axxid. Dacă sunt utilizate alte produse, scaunul Axxid MOVE poate fi compromis și ar putea duce la rănire gravă sau chiar deces, în cazul unui accident.

Toate materialele folosite respectă standarde foarte ridicate de rezistență la radiațiile ultraviolete. Cu toate acestea, radiațiile UV sunt foarte agresive și vor duce în cele din urmă la decolorarea materialului scaunului. Acest lucru nu este acoperit de garanția noastră, deoarece este considerată uzură normală.

Garanție

! Scaunul auto Axxid MOVE este acoperit de o garanție de 24 luni de la data cumpărării. Păstrați factura și prezentați-o furnizorului dumneavoastră împreună cu scaunul auto, în cazul în care descoperiți o neconformitate.

Garanția nu acoperă:

- * Uzura cauzată de o folosire normală;
- * Daunele cauzate de utilizarea incorectă, neglijență sau accident;
- * În cazul în care reparațiile au fost efectuate de către o terță parte.

Axkid Move

Mirando hacia atrás 9-25 kg con el cinturón de seguridad del vehículo y las correas de sujeción

Manual de instrucciones

Información Importante

Lea atentamente este manual de instrucciones antes de instalar la silla Move en su vehículo. Para más información y videos sobre la instalación, visite nuestra web www.axkid.com

Gracias por elegir una silla de seguridad infantil Axkid. El equipo que ha desarrollado Move tiene más de 30 años de experiencia en productos de seguridad infantil, y hemos puesto toda esa experiencia y todo nuestro esfuerzo en hacer la silla de seguridad Move la más segura posible. La silla Move está testada y certificada según la norma ECE R44/04, la más reciente norma europea sobre seguridad infantil. Para maximizar la seguridad de su hijo, recuerde lo siguiente:

Lea atentamente este manual de instrucciones antes de instalar la silla Move. Si tiene cualquier duda, contacte con su tienda, donde le asesorarán para una correcta instalación. Una instalación incorrecta puede poner en peligro a su hijo.

Nunca instale la silla de seguridad en el asiento de un vehículo con un airbag activo. Si quiere instalar Move de todas formas, el airbag debe ser desconectado por un servicio técnico autorizado, o si su vehículo está equipado con el interruptor que permite desconectar el airbag manualmente, use la llave para desconectarlo. Es importante comprobar siempre que el indicador luminoso del vehículo muestre que el airbag está desconectado.

Numerosos estudios demuestran que el riesgo de accidente grave o letal para un niño pequeño en una silla de seguridad es 5 veces mayor cuando va mirando en el sentido de la marcha. En la silla Move, tu hijo puede viajar mirando hacia atrás hasta los 25 kg de peso.

Use siempre la pata de apoyo al instalar la silla Move. La pata de apoyo es un elemento de seguridad muy importante, diseñada para maximizar la seguridad de su hijo en caso de accidente.

En caso de accidente de tráfico, por pequeño que sea, sustituya siempre la silla de seguridad por una nueva. La silla podría tener algún daño invisible que no se detecte a simple vista, y de ese modo poner seriamente en peligro la seguridad de su hijo. Por esta razón Axkid no recomienda adquirir sillas de seguridad de segunda mano.

Nunca deje al niño solo desatendido en el vehículo.

Asegúrese de que cualquier equipaje o carga que lleve en el vehículo quedan firmemente sujetos. Así evitará lesiones al niño y a los demás pasajeros en caso de colisión.

Guarde este manual de instrucciones en el bolsillo (O) inferior de Move destinado para ello.

Índice

La silla de seguridad infantil Move puede usarse a partir de los seis meses de edad del niño, o desde que su hijo puede sentarse solo sin apoyo, hasta la edad de seis años aproximadamente. Esta silla de seguridad SOLO puede ser instalada mirando hacia atrás, es decir, a contramarcha.

Partes	100
Instalación correcta e incorrecta de la silla de seguridad	100-101
Mirando hacia atrás 9-25 kg con el cinturón de seguridad del vehículo y las correas de sujeción	101-105
<i>Esta instalación puede hacerse cuando el niño pesa entre 9 y 25 kg.</i>	
Cómo quitar y poner las fundas	105
Cuidado y mantenimiento	105
Garantía	106

Partes

A	Reposacabezas	K	Conector de la almohadilla de protección lateral
B	Arnés interno de 5 puntos	L	Sistema de correas de sujeción (o sistema de anclaje top tether)
C	Broche del arnés interno	M	Pinza de sujeción del cinturón de seguridad
D	Ranura para el cinturón de seguridad del vehículo	N	Botón gris
E	Palanca de ajuste del arnés interno	O	Bolsillo para guardar el manual de instrucciones
F	Correa de ajuste del arnés interno	P	Cremallera
G	Palanca de ajuste de la inclinación de la silla de seguridad	Q	Pata de apoyo
H	Almohadilla de protección lateral	R	Buton pentru extinderea piciorului de sprijin
I	Izas	S	Horquilla
J	Señal de línea vertical		

Instalación correcta e incorrecta de la silla de seguridad Move

1 La silla de seguridad Move puede usarse en cualquier asiento del vehículo que mire hacia delante y que tenga cinturón de seguridad de tres puntos (i), siempre que el airbag esté desactivado. No usar nunca Move con un cinturón de seguridad de dos puntos (ii).

IMPORTANTE: Si desea instalar Move en un asiento con airbag, el airbag debe ser desconectado por un servicio técnico autorizado. Algunos vehículos están equipados con un interruptor que permite desconectar el airbag manualmente. Es importante comprobar siempre que el indicador luminoso del vehículo muestre que el airbag está desconectado.

ADVERTENCIA: No instale nunca Move en un asiento del vehículo con el airbag activado

ADVERTENCIA: No instale nunca Move en asientos que estén mirando en sentido contrario o de lado

ADVERTENCIA: Los airbags están diseñados para los adultos, y pueden lesionar gravemente al niño en caso de accidente

Instalación correcta e incorrecta de la silla de seguridad Move:

Asiento delantero o del copiloto (airbag desconectado)	NO/Si*
Asiento delantero o del copiloto (airbag conectado)	NO
Asiento mirando hacia delante con cinturón de seguridad de 3 puntos	Si
Asiento con cinturón de seguridad de 2 puntos	NO
Asiento mirando de lado	NO
Asiento mirando hacia atrás	NO

* El Reglamento General de Circulación en España, en su artículo 117, establece la prohibición de circular con menores de estatura igual o inferior a 135 centímetros situados en los asientos delanteros del vehículo, salvo excepciones.



Nunca use la silla de seguridad Move en un asiento del vehículo que no tenga el cinturón de seguridad de tres puntos homologado por la norma ECE Reg 16.

Mirando hacia atrás 9-25 kg con el cinturón de seguridad del vehículo y las correas de sujeción

Ajuste de la altura del reposacabezas y del arnés interno de 5 puntos

- 2 Antes de instalar la silla Move, asegúrese de que el reposacabezas está a la altura correcta para el niño. Cuando el arnés interno de 5 puntos está correctamente instalado, debe ir desde la parte trasera de la silla hacia la parte delantera, pasando justo por encima de los hombros del niño.
- 3 Para ajustar la altura del reposacabezas y del arnés interno, primero tendrá que cambiar el arnés interno. Presione la palanca de ajuste del arnés interno (E) y tire de los tirantes (no de las almohadillas para hombros) hacia la parte delantera de la silla, para soltar el arnés interno totalmente.
- 4 Abra la cremallera (P) en la parte trasera de la funda de la silla.
- 5 Desenganche los tirantes de hombros de la horquilla (S) en la parte posterior de Move.
- 6 Desabroche el Velcro® y separe las almohadillas para hombros (B) en la parte trasera de Move.
- 7 Saque los tirantes de las almohadillas para hombros y los tirantes de hombros de la silla Move.
- 8 Apriete el clip de plástico y tire suavemente del reposacabezas para moverlo.
- 9 De las tres alturas diferentes que tiene el reposacabezas, coloque ahora el reposacabezas en la altura más adecuada para el niño. Empuje la parte inferior del reposacabezas hasta que el clip de plástico vuelva a su sitio.

- 10 Pase los tirantes del arnés interno de 5 puntos (i) a través de las almohadillas para hombros (ii).
- Pase los tirantes del arnés interno y los tirantes de las almohadillas para hombros a través de los huecos en el reposacabezas hacia la parte trasera de Move, asegurándose de que todos los tirantes estén a la misma altura. Conecte los dos tirantes de las almohadillas para hombros usando el Velcro®.
- 12 Enganche ahora los tirantes del arnés interno de 5 puntos a la horquilla.
- ¡**IMPORTANTE!** Asegúrese de que los tirantes del arnés interno de 5 puntos pasen por los huecos a la misma altura tanto en el reposacabezas como en la silla Move.
- 13 ¡**IMPORTANTE!** Asegúrese de que el arnés interno es dirigido correctamente desde la silla Move hasta la pata de apoyo. El arnés interno **NO DEBE** pasar sobre la barra horizontal de la pata de apoyo (i).
- 14 Compruebe que la altura del reposacabezas es correcta sentando al niño en la silla de seguridad.

¡Atención! Nunca utilice la silla Axxid sin las almohadillas de los hombros del arnés interno. Las almohadillas de los hombros son una característica de seguridad importante.

Cómo instalar la silla de seguridad Move

- La manera más fácil de instalar la silla Move en el vehículo es metiendo primero el respaldo.
- 15 Coloque la silla en el asiento del vehículo de forma que el respaldo de Move mire hacia la parte delantera del vehículo.
- 16 Las alzas (I) de Move deben estar apoyadas sobre el borde del asiento del vehículo. La señal de línea vertical (J) del alza debe alinearse verticalmente con el extremo del asiento del vehículo. Si usted tiene un vehículo pequeño, o si su hijo es aún pequeño y no necesita espacio adicional para las piernas, puede instalar Move con las alzas encima del asiento del vehículo, lo cual le permitirá además reclinar la silla un poco más.

Nota: Si instala la silla Move en el asiento delantero del vehículo es posible, pero no necesario, que el respaldo de la silla toque el salpicadero del vehículo.

- 17 Para ajustar el ángulo de inclinación de Move, presione la palanca de ajuste de inclinación (G) y elija una de entre las dos posibles posiciones de inclinación. El ángulo de inclinación debe ser el más vertical posible en todo momento, siempre que el niño pueda sujetar su cabeza por sí solo, y la inclinación debe ser suficiente para que la cabeza del niño no caiga hacia adelante si se queda dormido. La regla general es que cuanto mayor es el niño, más verticalidad puede tener la silla de seguridad. Tenga en cuenta que la silla Move se inclinará ligeramente al instalarla y hundirse en el asiento del vehículo cuando la sujetamos con el cinturón de seguridad y o las correas de sujeción.



Nu instalați niciodată un scaun pentru copii într-un scaun de pasager dacă airbag-ul este activ.



Cómo abrochar el cinturón de seguridad del vehículo

18 Abra las pinzas de sujeción del cinturón de seguridad (M) a ambos lados de la silla Move. Tire del cinturón de seguridad hasta que la cinta tenga como mínimo 70-80 cm de longitud. Pase el cinturón de seguridad por la ranura para el cinturón de seguridad (D) y empujelo de un lado a otro por debajo de la tela, en el hueco entre la funda de tela y el chasis de la silla, hasta que salga por la otra ranura para el cinturón de seguridad, en el otro lado. Si lo prefiere, puede tirar del cinturón de seguridad y pasarlo de un lado a otro por encima de la tela, hasta llegar a la otra ranura para el cinturón de seguridad (D) en el otro lado.

19 Abroche el cinturón de seguridad. Tire con fuerza del cinturón de seguridad para que quede tenso y no quede flojo ningún tramo del cinturón. A continuación sujete ambos, el cinturón de cadera y el cinturón de hombro, con la pinza de sujeción más cercana al broche del cinturón de seguridad del vehículo.

20 En la pinza de sujeción del lado contrario sólo tiene que sujetar el cinturón de cadera.

Cómo instalar las correas de sujeción

21 Desenganche las correas de sujeción de la silla Move.

22 Presione el botón gris (N) y tire del extremo hasta conseguir la máxima longitud de la correa.

23 Para abrochar la correa de sujeción en un punto de anclaje, haga un nudo corredizo en dicho punto de anclaje y pase el clip de metal a través de la correa. Debe repetir cada paso a ambos lados, para crear dos puntos de anclaje.

24 Si instala Move en el asiento trasero del vehículo, inserte el broche de la correa de sujeción bien en la parte trasera de los rieles de los asientos delanteros (i), bien en el recodo entre la base y el respaldo del asiento delantero (ii).

25 Si instala Move en el asiento delantero o del copiloto, las correas de sujeción deben ser sujetadas en el punto de sujeción más cercano (i) que permita tensarlas con total seguridad. Pueden usarse puntos de anclaje situados más atrás (ii), y si es necesario, las correas pueden cruzarse (iii) e incluso ser enlazadas (iv).

26 Vuelva a abrochar los clips metálicos a ambos lados de la silla de seguridad, y tire de los extremos de las correas de sujeción hasta que estén tensas. Tire una vez más de cada una de las correas de sujeción todo lo que pueda, para asegurarse de que la instalación es firme.

27 Despliegue la pata de apoyo (Q) hasta su máximo ángulo. Presione el botón de extensión de la pata de apoyo (R) y extiéndala hasta que toque el suelo.

Nota: La cinta de la pata de apoyo puede quedar totalmente tensa, aunque no es necesario.

28 Es importante comprobar que el ángulo de la pata de apoyo respecto al respaldo de Move es superior a 10°. Puede comprobarlo asegurándose de que la pata de apoyo esté más alejada del asiento del vehículo que la señal de línea vertical.

29 Ahora, vuelva a tirar firmemente de las correas de sujeción a ambos lados, para que las correas se tensen totalmente.

Si ha instalado Move en el asiento trasero del vehículo, ahora puede mover el asiento delantero del piloto o del copiloto hasta una posición cómoda.

Nota: Es posible, pero no necesario, que al instalar Move en el asiento trasero del vehículo, el respaldo de Move toque el respaldo del asiento delantero.

Cómo usar la almohadilla de protección lateral

Aunque su uso es opcional, **RECOMENDAMOS** usar la almohadilla de protección lateral siempre que sea posible, para una protección extra en caso de colisión lateral.

30 Busque el conector de la almohadilla de protección lateral (K) en el lado de Move más cercano al lateral del vehículo (es decir, más cerca de la puerta).

IMPORTANTE: Compruebe que las dos flechas triangulares (i) en la almohadilla lateral (H) apunten en la misma dirección que la flecha triangular del conector de la almohadilla lateral (K).

Coloque la parte superior de las dos aberturas ovales en la parte inferior de la almohadilla de protección lateral sobre el conector de la almohadilla de protección lateral. Empuje la almohadilla de protección lateral contra el lateral de Move y deslice la almohadilla de protección lateral hacia arriba hasta el conector. Oirá un ligero clic cuando la almohadilla de protección lateral se acople en la posición correcta.

Para quitarla: empuje la almohadilla de protección lateral hacia abajo y sáquela.

Cómo sentar al niño en la silla Move

Antes de sentar al niño en la silla de seguridad, compruebe que el reposacabezas y el arnés interno han sido ajustados a la altura más conveniente para el niño (ver pasos 2 a 14).

31 Presione la palanca de ajuste del arnés interno (E) y tire de los tirantes de hombros hacia delante (no de las almohadillas para hombros), para soltar el arnés completamente.

32 Presione el botón rojo del broche del arnés interno y desabroche el arnés.

33 Siente al niño en la silla de seguridad Move. Coloque los brazos del niño entre los tirantes de los hombros, de modo que los tirantes cuelguen sobre su pecho y estén mago.

34 Junte los tirantes de los hombros y abróchelos en el broche del arnés, entre las piernas del niño.

35 Tire de la correa de ajuste del arnés interno (F). Es importante que al tirar de ella siempre lo haga en línea recta y horizontal. El no tirar de la correa del arnés correctamente puede hacer que la correa se atasque en el mecanismo.

Cómo desinstalar y sacar la silla Move del vehículo

ADVERTENCIA: Nunca quite la silla de seguridad del vehículo mientras el niño esté aun sentado en ella.

Abra las pinzas de sujeción del cinturón de seguridad (M) a ambos lados de la silla de seguridad. Desabroche el cinturón de seguridad del vehículo (i) y retire totalmente el cinturón de seguridad de la silla. Guarde la pata de apoyo (Q). Desenganche de la silla las correas de sujeción (L) y saque la silla de seguridad del vehículo. Por último, suelte las correas de sujeción de los puntos de anclaje en el vehículo y engánchelas en la silla de seguridad. anchor points and then re-hook the straps on to the child restraint.

Cómo quitar y poner las fundas

PRECAUCIÓN: Nunca use la silla de seguridad infantil Move sin sus fundas. Las fundas son componentes del sistema de seguridad.

- 37 Desenganche las correas de sujeción de la silla Move y quite la almohadilla de protección lateral (H) si está puesta.
- 38 Presione la palanca de ajuste del arnés interno (E) y tire de los tirantes de hombros hacia delante (no de las almohadillas para hombros), para soltar el arnés completamente.
- 39 Presione el botón rojo del broche del arnés interno para desabrochar el arnés interno y quitar la almohadilla de la entrepierna.
- 40 Deschideți fermoarul husei aflat în spatele scaunului. Deblocati curelele de umăr din jugul (S) aflat în spatele scaunului pentru copii.
- 41 Abra la cremallera de la funda en la parte posterior de Move. Desenganche los tirantes de hombros de la horquilla (S) en la parte posterior de Move.
- 42 Desabroche el Velcro® y separe las almohadillas para hombros (B) en la parte trasera de Move.
- 43 Saque los tirantes de las almohadillas para hombros y los tirantes de hombros de la silla Move. Presione el clip de plástico y tire suavemente del reposacabezas de Move hasta soltarlo.
- 44 Desenganche los enganches elásticos (i) a ambos lados del reposacabezas y quite la funda del reposacabezas.
- 45 Suelte y extraiga la tira de plástico a lo largo de la parte delantera de Move. ¡IMPORTANTE! Asegúrese de tirar de la tira de plástico y NO tirar de la tela. Guarde la tira de plástico para cuando necesite volver a colocar la funda de Move. Si pierde la tira de plástico, tendrá que contactar con su tienda para pedir un recambio. Desabroche todos los botones de presión (i),(ii),(iii).
- 46 Retire con cuidado la funda de Move alrededor de la tapa del dispositivo del arnés interno (i). Pase todos los tirantes por las ranuras en la funda de Move y quite la funda.

Para colocar la funda, invierta los pasos anteriores, asegurándose de que el arnés interno de 5 puntos y las almohadillas para hombros estén colocados correctamente (ver pasos 9 - 13 para más información sobre cómo poner el reposacabezas, el arnés interno y las almohadillas para hombros).

Cuidado y mantenimiento

La funda de la silla de seguridad Move puede quitarse y lavarse a máquina a 30° C usando el programa de lavado para prendas delicadas. No use secadora, ya que esto puede dañar el tejido y hacer que el relleno se separe de la tela.

En nuestra web www.axkid.com puede ver videos explicando cómo quitar y poner la funda.

Los componentes de plástico de la silla Move pueden ser limpiados con agua y detergente suave. No use para su limpieza productos químicos agresivos que contengan disolventes, porque estos puede dañar el plástico y comprometer la seguridad de la silla.

Todos los materiales usados en la fabricación de la silla Move son reciclables y deben ser reciclados y eliminados según su legislación local. Pregunte a su centro de reciclaje más cercano sobre el reciclaje de este producto.

No haga ninguna reparación ni ajuste a la silla Move, excepto los descritos en este manual de instrucciones. Siga atentamente las instrucciones de este manual. En caso de reparación, esta debe ser hecha solo por el fabricante o el distribuidor.

Si tiene que sustituir la funda de la silla de seguridad Move, asegúrese de usar solo productos originales de Axkid. Si usa productos de otros fabricantes, el sistema de seguridad Move puede verse afectado, lo que puede ocasionar al niño lesiones graves e incluso la muerte en caso de accidente.

Todos los materiales usados en la fabricación de la silla Move tienen muy alta resistencia a la luz ultravioleta UV. Sin embargo, la radiación ultravioleta del sol es muy agresiva y a la larga puede afectar al color del tejido de la silla. Esto no está cubierto por la garantía, ya que se considera un desgaste normal del producto.

Garantía

La silla de seguridad infantil Move está cubierta por una garantía de 24 meses desde la fecha de compra. Guarde el ticket de compra y lleve la silla a la tienda donde la adquirió en caso de reclamación de la garantía.

La garantía no cubre:

* El desgaste normal del producto.

* Daños producidos por un uso incorrecto del producto, negligencia o accidente.

* Reparaciones hechas por terceras personas.

Sverige/Norge

Axkid AB
www.axkid.com
info@axkid.com
Tel: (+46) 511 760 620

UK/Ireland

Axkid Ltd
www.axkid.com
info@axkid.com
Tel: (+44) 0781 086 7644

France

Axkid AB
www.axkid.com
info@axkid.com
Tel (+33) 06 07 01 87 73

Deutschland

Axkid GmbH
www.axkid.com
kundenservice@axkid.com
Tel: (+49) 60-99 84 89 05

España/Portugal

Independent Marketing
www.infobebe.es
info@infobebe.es
(+34) 952 561 000

Polsce

Junior Andrzej Kwapinski
Horbaczewskiego 4-6
54-130 Wrocław Dh Astra Sklep
Poland Tel: +(48) 713 549 723

Czech Republic

Domecek pro deti
www.domecekprodeti.cz
info@domecekprodeti.cz
(+42) 0727 981 815

România

SC Baby Car seats
www.axkid.ro
maria@axkid.ro
(+40) 0747 35 47 47

New Zealand

Clicksafe
www.clicksafe.co.nz/axkid
axkid@clicksafe.co.nz
Tel: (+64) 212 504 215

Suomi

Lastentarvike
www.lastentarvike.fi
info@lastentarvike.fi
(+358) 09 852 05 100

Malaysia

SafenSound
www.safensound.com.my
may@safensound.com.my
(+60) 358 70 22 84

Greece Ελλάδα**Serbia Србија**

LETO shop
www.letoshop.gr
christos@letoshop.gr
(+30) 211 102 67 30

Eesti

GreenHansa OÜ
www.beebipood.ee
riho@beebipood.ee
(+372) 5300 8000

Latvia

Muki
www.mukilv
jurgis@mukilv
(+371) 292 828 98

Lietuva

Kotryna Group
www.kotrynagroup.com
kotryna@kotryna.lt
(+370) 521 322 54

South Africa

Quality Imports SA & #Carseatfullstop
www.qualityimportssa.co.za
qualityimportssa@gmail.com
(+27) 11 789 7119

Ísland

Leiftur
www.leifturis
kristmann@leifturis
(+354) 821 25 37

Axkid AB

Odinslundsgatan 17, 412 66 Göteborg, Sweden

www.axkid.com info@axkid.com +46 511 760 620