

# Axkid One



**UN regulation no. 129**

**Instruction Manual**

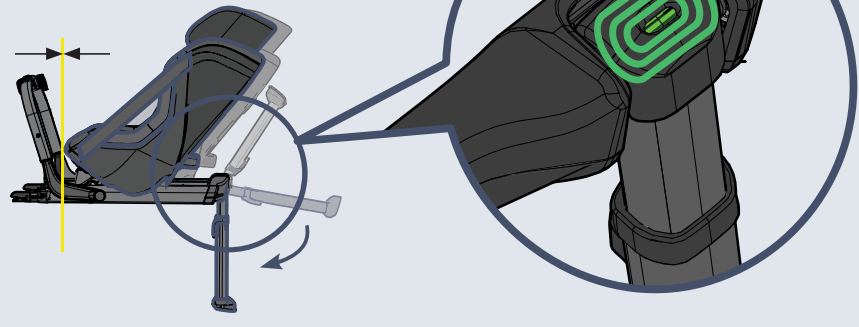
Axkid One+ car seat 0-23kg, 40-125 cm

Axkid One car seat 0-23kg, 61-125 cm

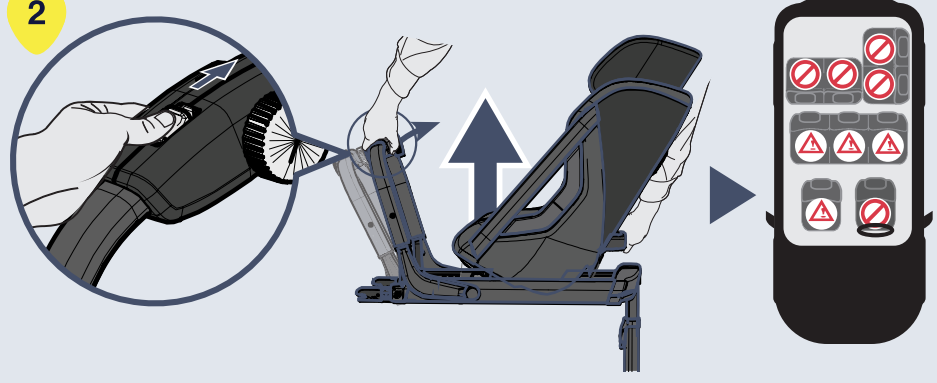




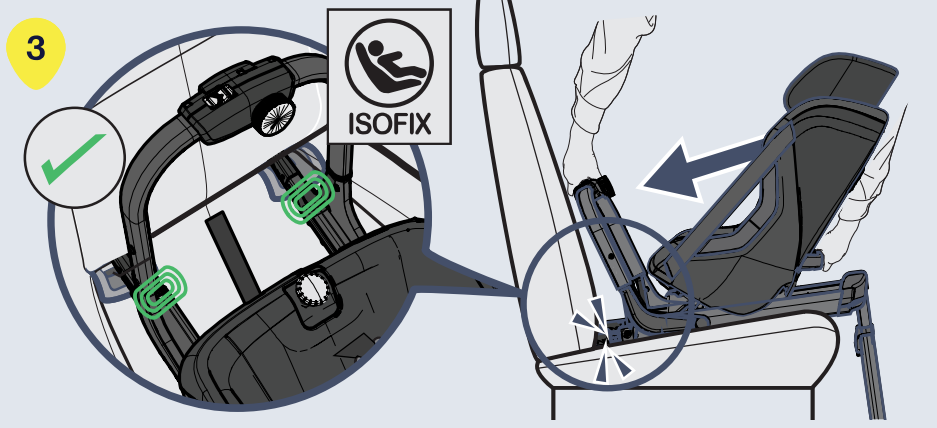
1

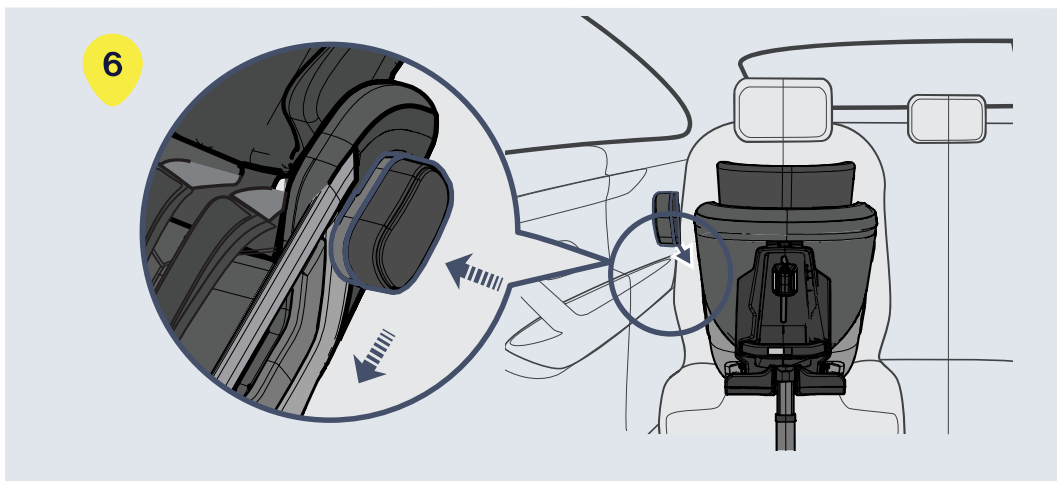
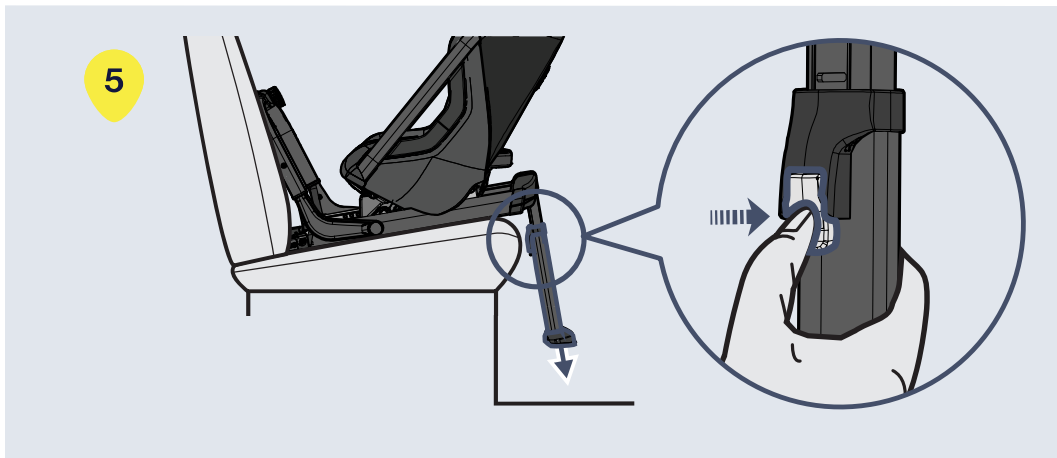
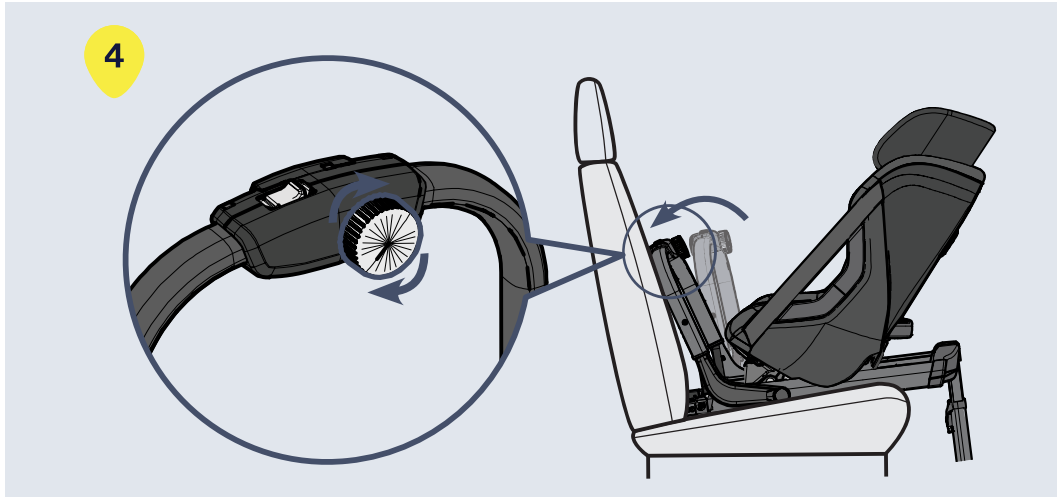


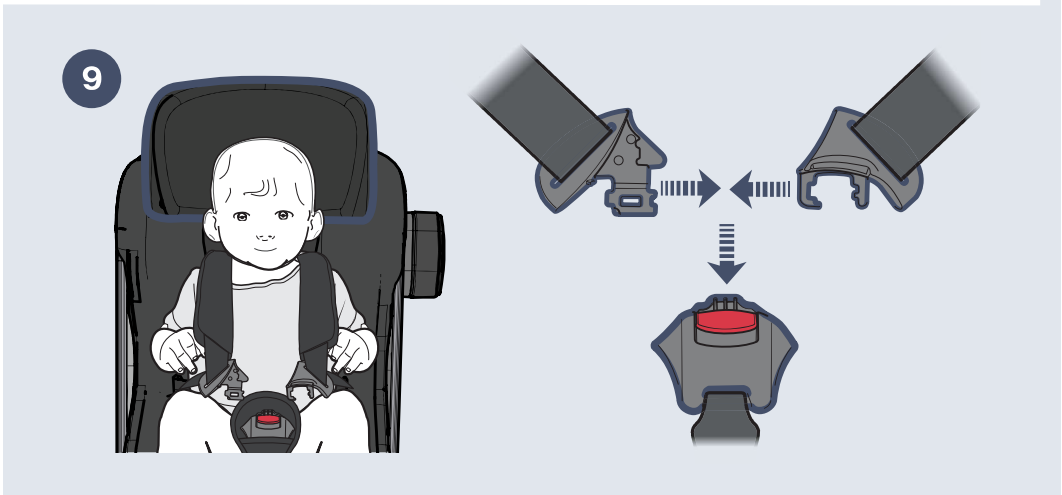
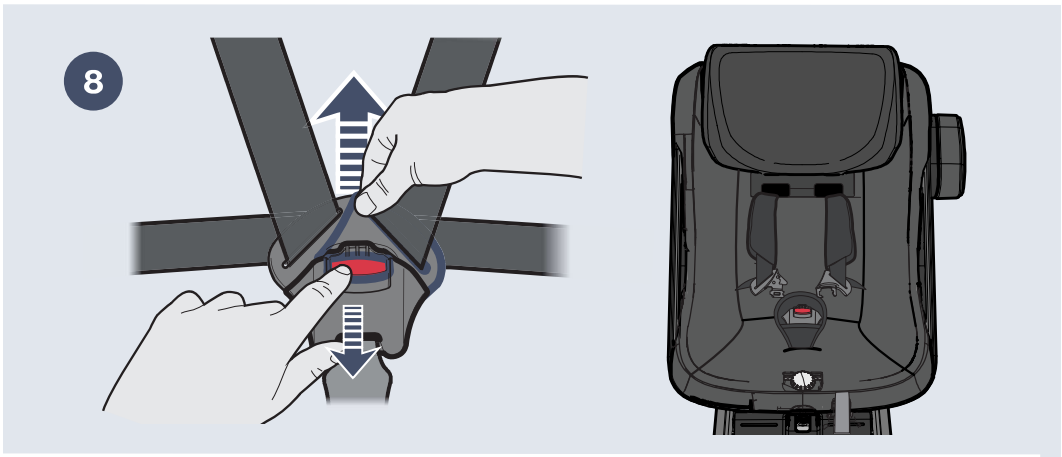
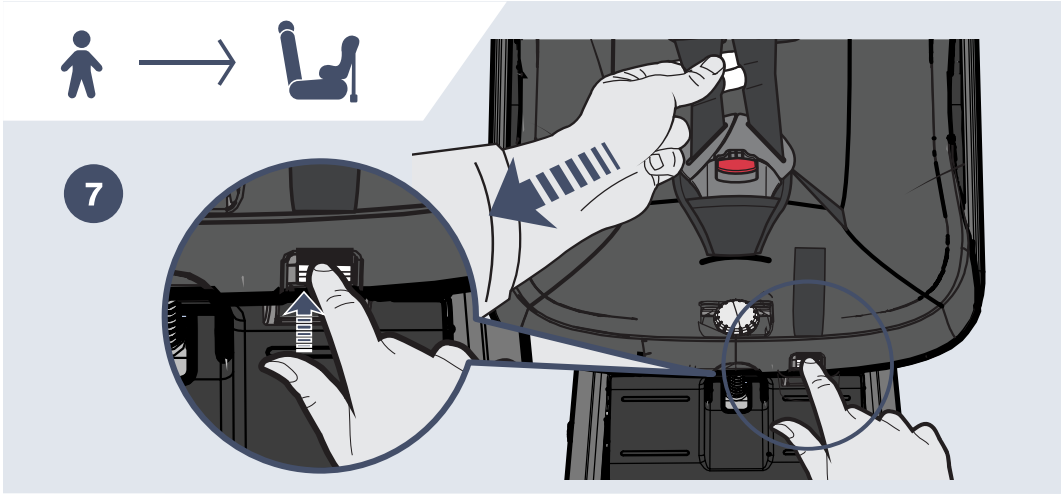
2

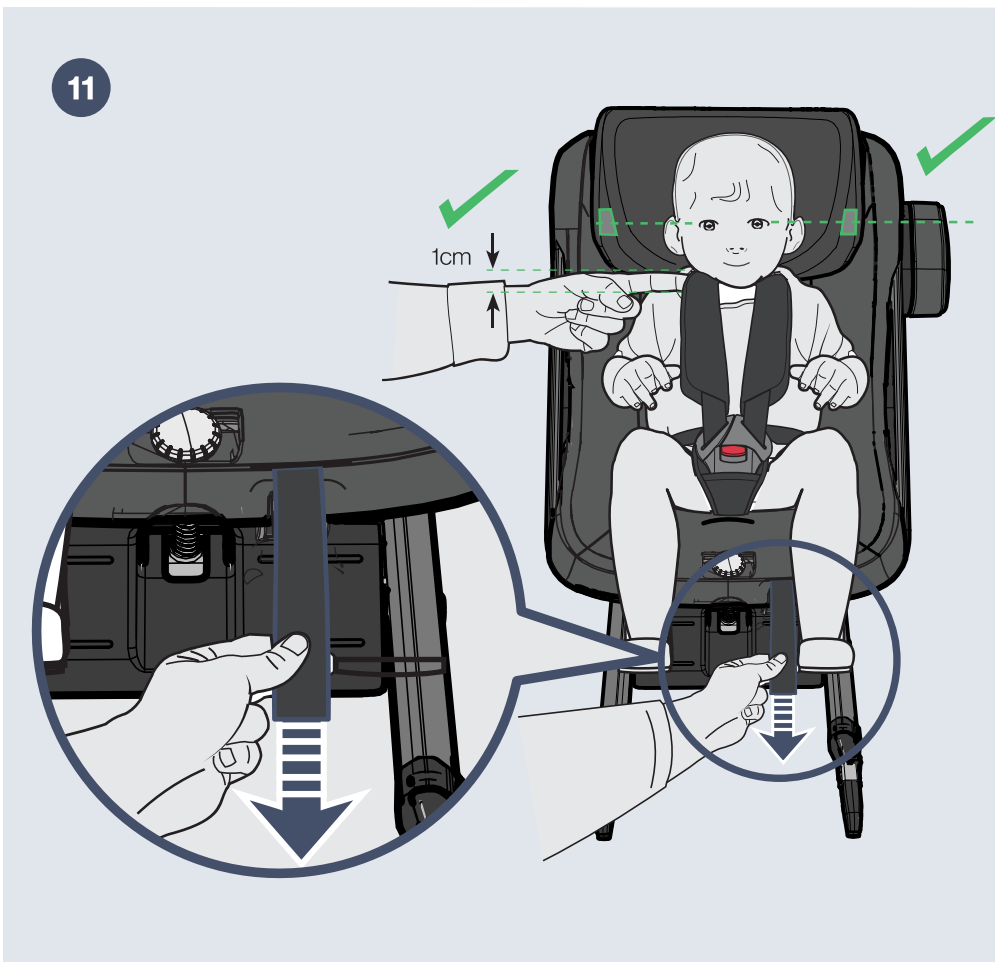
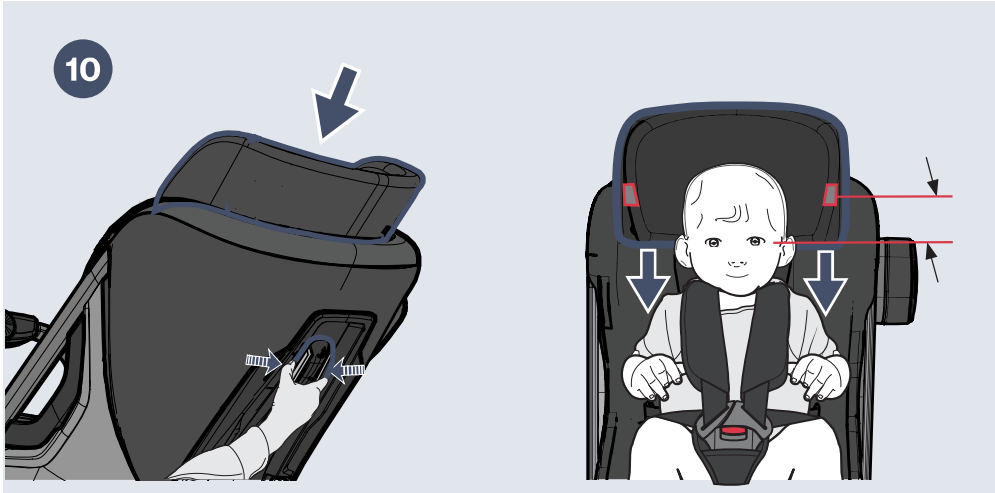


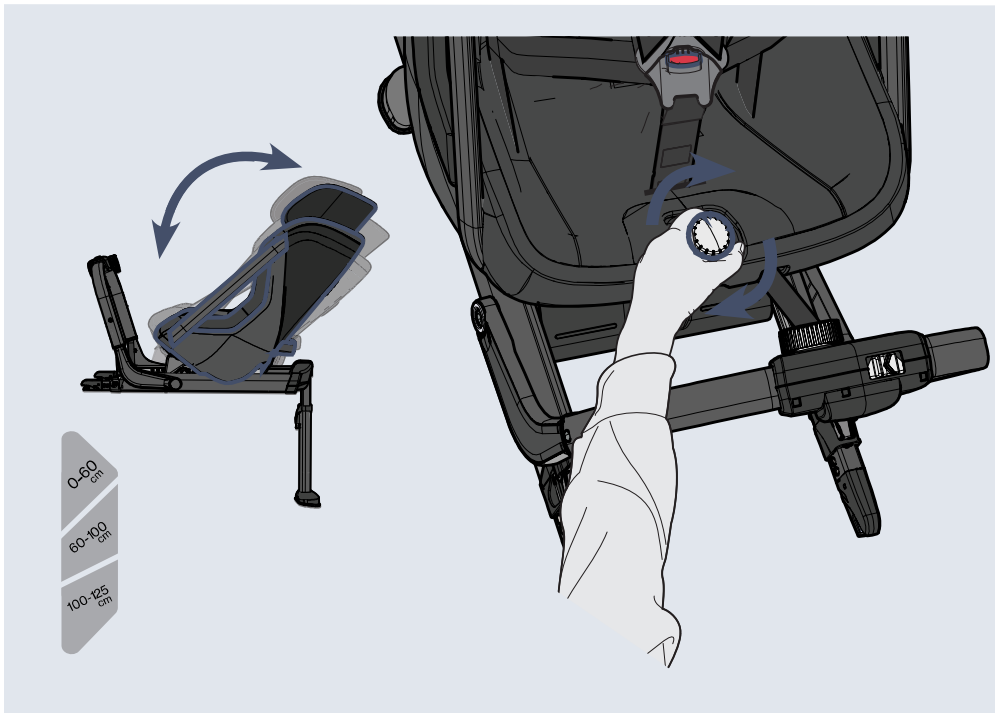
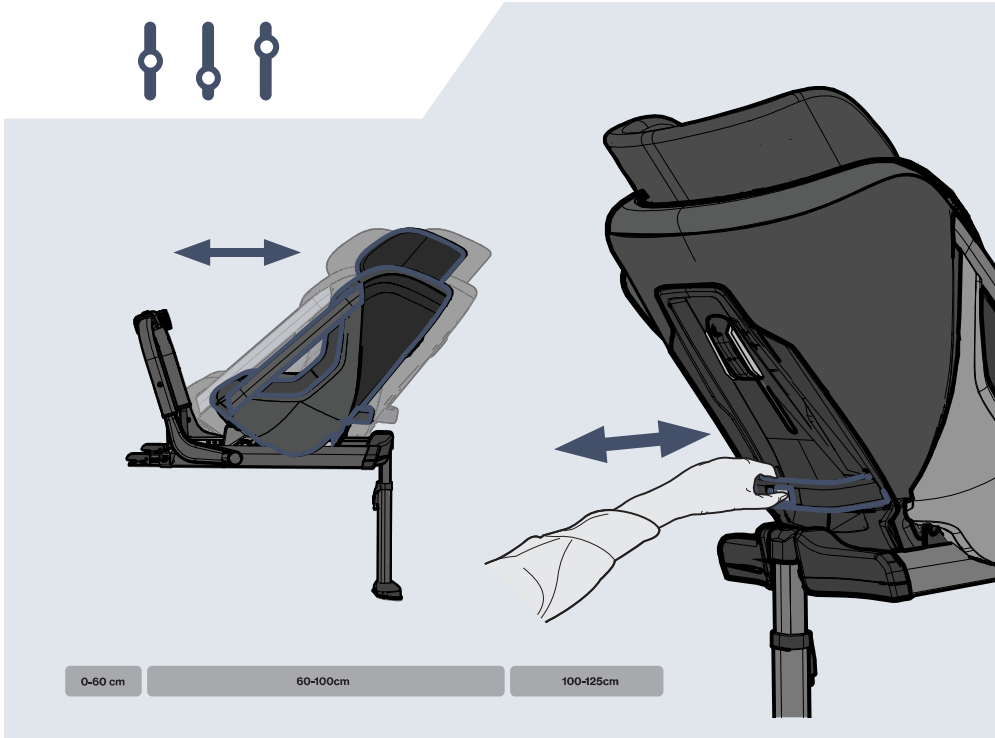
3

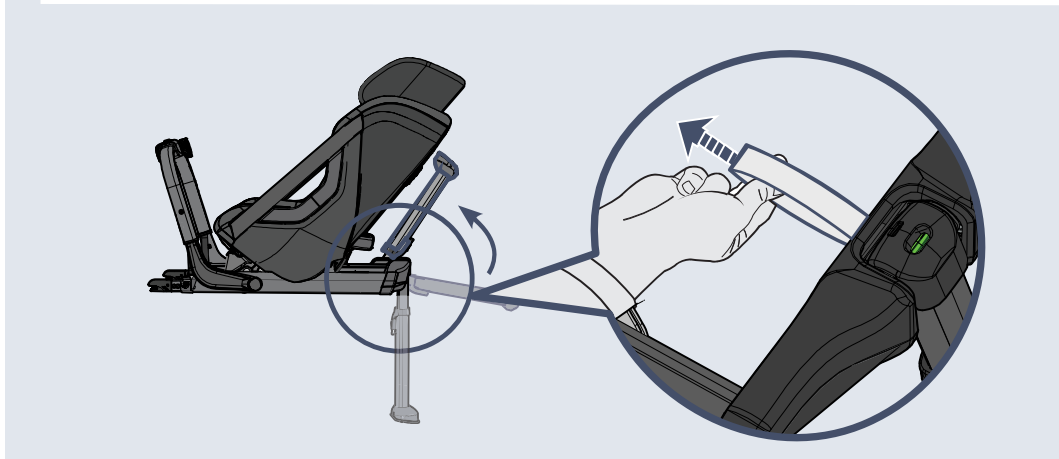
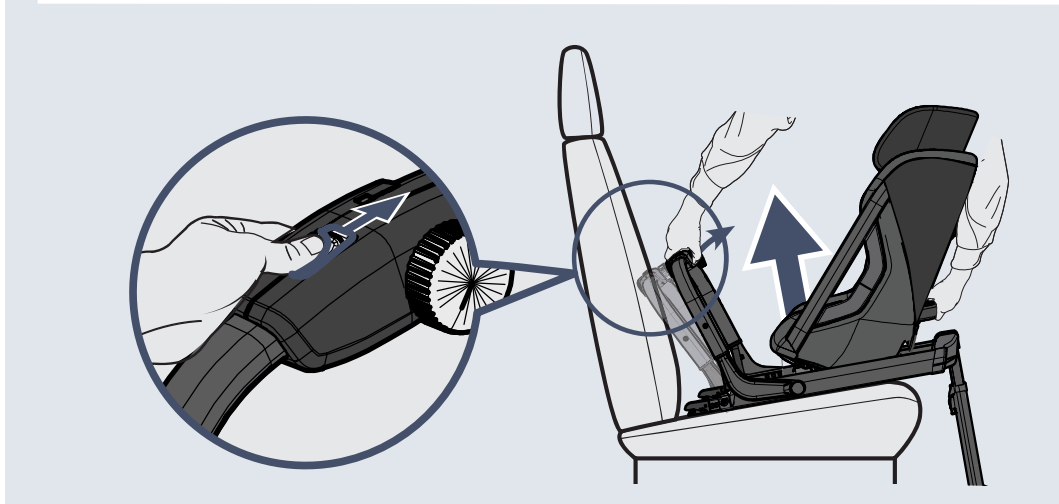
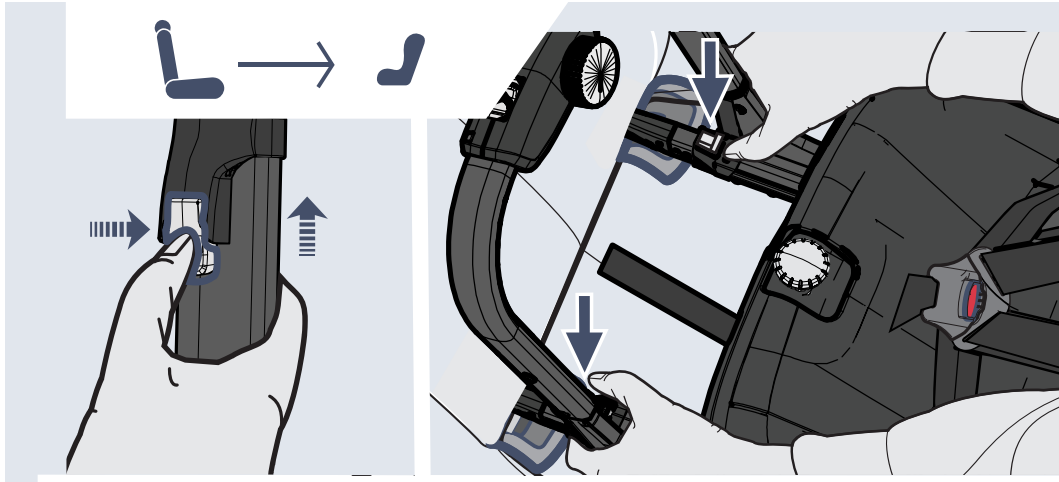












**Sverige/Norge**

Axkid AB  
www.axkid.com  
info@axkid.com  
Tel: (+46) 511 760 620

**UK/Ireland**

Axkid Ltd  
www.axkid.com  
info@axkid.com  
Tel: (+44) 0781 086 7644

**France**

Axkid AB  
www.axkid.com  
info@axkid.com  
Tel: (+33) 06 07 01 87 73

**Deutschland**

Axkid GmbH  
www.axkid.com  
kundenservice@axkid.com  
Tel: (+49) 60-99 84 89 05

**España/Portugal**

Independent Marketing  
www.info bebe.es  
nina@info bebe.es  
(+34) 902 111 881

**Polsce**

Junior Andrzej Kwapinski  
Horbaczewskiego 4-6  
54-130 Wrocław Dh Astra Sklep  
Poland Tel: (+48) 713 549 723

**Czech Republic**

Domecek pro deti  
www.domecekprodeti.cz  
info@domecekprodeti.cz  
(+42) 0727 981 815

**România**

SC Baby Car seats  
www.axkid.ro  
maria@axkid.ro  
(+40) 0747 35 47 47

**New Zealand**

Clicksafe  
www.clicksafe.co.nz/axkid  
axkid@clicksafe.co.nz  
Tel: (+64) 212 504 215

**Suomi**

Lastentarvike  
www.lastentarvike.fi

info@lastentarvike.fi  
(+358) 09 852 05 100

**Malaysia**

SafenSound  
www.safensound.com.my  
may@safensound.com.my  
(+60) 358 70 22 84

**Greece Ελλάδα****Serbia Србија**

LETO shop  
www.letoshop.gr  
christos@letoshop.gr  
(+30) 211 102 67 30

**Eesti**

GreenHansa OÜ  
www.beebipood.ee  
riho@beebipood.ee  
(+372) 5300 8000

**Latvia**

Muki  
www.mukilv  
jurgis@mukilv  
(+371) 292 828 98

**Lietuva**

Kotryna Group  
www.kotrynagroup.com  
kotryna@kotryna.lt  
(+370) 521 322 54

**South Africa**

Quality Imports SA & #Carseatfullstop  
www.qualityimportssa.co.za  
qualityimportssa@gmail.com  
(+27) 11 789 7119

**Ísland**

Leiftur  
www.leifturis  
kristmann@leifturis  
(+354) 821 25 37

# AXKID



**EN** 10-19

**DE** 20-29

# Thank you for choosing Axxkid One

Read this instruction manual before installing Axxkid One car seat in your vehicle.  
For more information and installation videos visit [www.axxkid.com](http://www.axxkid.com).

**Axxkid One** car seat is a rear-facing car seat approved for children with a height between 61-125 cm and with a maximum weight of 23 kg.  
**Axxkid One +** car seat is a rear-facing car seat approved for children with a height between 40-125 cm and with a maximum weight of 23 kg.

This is an i-Size Enhanced Child Restraint System. It is approved according to UN Regulation No. 129, for use in, i-Size compatible vehicle seating positions as indicated by vehicle manufacturers in the vehicle user's manual. If in doubt, consult either the Enhanced Child Restraint System manufacturer ([www.axxkid.com](http://www.axxkid.com)) or the retailer.

## Important information

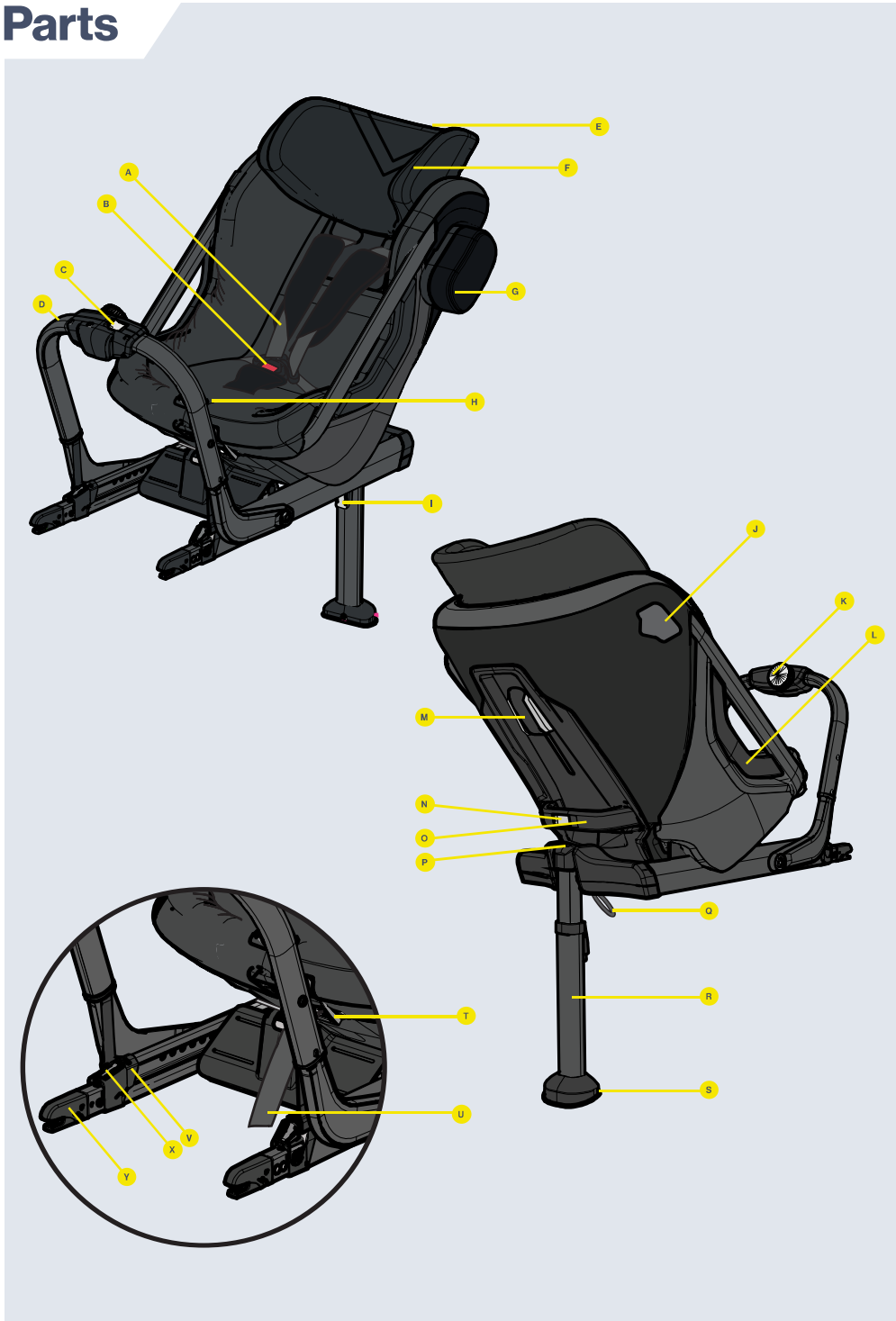
To maximize your child's safety, it is important that you keep following in mind:

- Always follow the instructions in this manual. An incorrect installation may seriously affect the safety for your child. If in doubt, contact your retailer who can demonstrate a correct installation.
- Keep this instruction manual for future reference. If manual is lost, you can find it online at [www.axxkid.com](http://www.axxkid.com)
- Do not use Axxkid One car seat in a seating position where an active frontal airbag is fitted. If you still wish to install Axxkid One car seat in this location the airbag must be switched off according to the vehicle manufacturers instructions.
- Should you have an accident, no matter how small, your car seat should always be replaced. It may have damage that is nonvisual and could seriously affect the safety of your child. For this reason, Axxkid does not recommend purchasing secondhand car seats.
- If Axxkid One car seat has been exposed to direct sunlight, make sure the car seat is not too hot before installing your child.
- Never leave your child unattended in the vehicle.
- Ensure that any luggage or loose objects are secured in your vehicle as they may cause injuries to passengers in the event of an accident.
- Ensure that Axxkid One car seat is installed in a way where no parts become trapped by movable seats, car doors, etc.
- Axxkid One car seat may only be installed rear-facing.
- Always make sure that the harness is adjusted to correctly fit your child's body. The harness is adjusted by moving the head support.
- Make sure that the child's back is pushed against the car seat when restraining your child with the harness.
- Always make sure that the harness is firmly tightened against your child and that the buckle is completely locked, you should not be able to pinch the straps.
- Make sure there is no twist in the harness.
- Always make sure the support-leg is in its correct position and have contact with the vehicle floor. Check that the indicator on top of the support-leg is green and that you don't hear any beeping sound from the support-leg foot.
- Do not attempt to disassemble nor modify any part of Axxkid One car seat. The warranty and the safety performance of Axxkid One car seat could be affected if doing so.
- Never use Axxkid One car seat without the seat textile cover. The seat textile cover is a safety feature and may only be replaced with an Axxkid original seat textile cover.
- Read the vehicle handbook to find which seating positions is suitable for this seat
- Axxkid recommends to always use a seat protection to protect your vehicle seat from scratches and dirt.
- If any doubts, contact the retailer where the car seat was purchased or contact [info@axxkid.com](mailto:info@axxkid.com)

## Table of content

Parts	12
Allowed and disallowed positioning of Axxkid One car seat	14
Installing Axxkid One car seat in the vehicle	15
Restraining your child in Axxkid One car seat	16
Seat adjustments	17
Adjusting Axxkid One car seat	17
Removing Axxkid One car seat from the vehicle	18
Care and maintenance	18
Warranty	19

# Parts



Shoulder straps (A)	Headrest adjustment buttons (M)
Buckle release button (B)	Legroom adjustment button (N)
Front brace release button (C)	Back handle (O)
Front brace (D)	Support-leg position indicator (P)
Headrest (E)	Support-leg release strap (Q)
Eye level indicator (F)	Support-leg (R)
ASIP pad (G)	Sound indicator (S)
Recline position knob (H)	Harness release button (T)
Support-leg button (I)	Harness tension strap (U)
ASIP connector (J)	ISOFIX locking indicators (V)
Front brace knob (K)	ISOFIX buttons (X)
Side cover (L)	ISOFIX connectors (Y)

## Allowed and disallowed positioning of Axxkid One car seat

Axxkid One car seat can only be installed rear-facing using ISOFIX. It is approved for use in all i-Size approved seating positions but may also fit in other non i-Size-approved ISOFIX seating positions. Check your vehicle instruction manual to find suitable seating positions and check the vehicle list on [www.axxkid.com](http://www.axxkid.com)

Front passenger seat with ISOFIX (no active airbag)	YES/NO*
Front passenger seat with ISOFIX (active airbag)	NO
Rear passenger seat with ISOFIX	YES
Side and rear facing seats with ISOFIX	NO
Seats without ISOFIX	NO



**IMPORTANT:** If you wish to install your Axxkid One car seat in a location where a frontal airbag is fitted, the airbag must be disconnected according to your vehicle manufacturer instruction, Note that some vehicles require an authorized service center to disconnect the airbag.

\* The General Regulation of Traffic in Spain, in its article 117, establishes the prohibition of driving with children of stature equal to or less than 135 centimeters located in the front seats of the vehicle, without exceptions.



Never install a child restraint in a passenger seat where an active airbag is fitted.





## Installing Axxkid One car seat in the vehicle

**1**

Before installing Axxkid One car seat in your vehicle, minimize its size by releasing the legroom adjustment button (N) and slide the seat towards the front brace (D). Fold down the support-leg (R) until a click can be heard and the support-leg position indicator (P) turns green.

**2**

Release the front brace release button (C) and fold the front brace (D) towards the seat. Keep holding the front brace (D) with one hand and grab the back handle (O) with the other hand and lift the Axxkid One car seat into your vehicle with the front brace (D) first and then turn it to a rear-facing position.

**3**

Push the ISOFIX connectors (Y) into the ISOFIX connection points in the vehicle until you hear a click and both ISOFIX locking indicators (V) turn green.

**4**

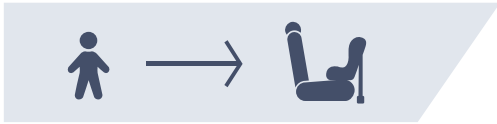
Let go of the front brace (D) which will start tensioning itself against the vehicle seat. When it stops, turn the front brace knob (K) clockwise until you feel and hear a click, the front brace (D) should now be firmly pressed against the vehicle seat. The front brace knob (K) has a built-in torque limiter and the click indicates that the front brace (D) is tightened correctly and cannot be tightened any more.

**5**

Push the support-leg button (I) and pull the support-leg (R) downwards until it is in contact with the vehicle floor. Let go of the support-leg button (I) and lift the car seat upwards to further extend the support-leg (R) until you hear a click. The support-leg (R) should now be locked and firmly pressed against the vehicle floor. Note: The Axxkid One car seat is equipped with a beeping sound indicator (S) that will keep beeping until the support-leg (R) is firmly pressed against the floor, indicating a correct installation.

**6**

Push the ASIP pad (G) into the slots on the ASIP connector (J) and slide downwards, the ASIP pad (G) will click into place. If there is a plastic cover on the ASIP connector (J), remove it and place it on the ASIP connector (J) on the opposite side of the seat before fitting the ASIP pad (G). Make sure the ASIP pad (G) is attached on the side of Axxkid One car seat that is closest to the vehicle door.



## Restraining your child in Axxkid One car seat

Before restraining your child in the Axxkid One car seat, make sure you have the correct inlays installed in the seat. Axxkid One is designed to grow with your child and to ensure a comfortable and safe fit for all children. Axxkid recommends using the relevant inlay until it is too tight for your child, but to a minimum length according to table below (note that the age is just an indication):

Age	Height	
Infant 0-6 month (Axxkid One + only)	0-60 cm	
Toddler 0-3 years	60-100 cm	
Child 3-7 years	100-125 cm	

- 7 Loosen the harness by pressing the harness release button (T) and pull out both shoulder straps (A) at the same time. Avoid pulling only one strap at the time since it may cause the shoulder straps (A) to become uneven.
- 8 Unlock the buckle by pressing the buckle release button (B) and place the straps outside of the seat.
- 9 Place your child in the seat and place the shoulder straps (A) over your child's shoulder. Lock the harness by first positioning the parts of the buckle that is attached to the shoulder straps (A) together and then push them into the buckle until you hear a click.
- 10 Adjust the headrest (E) until the eye level indicators (F) is in line with your child's eyes by pushing both headrest adjustment buttons (M) and slide it upwards or downwards. Note: the eye level indicators (F) shall not be used when using the infant inlay (Axxkid One + only). When using Axxkid One + for infants, always make sure that the headrest is in the lowest position.
- 11 Check that the shoulder straps (A) is going through the seat straight from your child's shoulders or maximum 1 cm above. You might need to adjust the headrest (E) again, even if it makes the eye level indicator get out of line with your child's eyes. Now pull on the shoulder straps (A) to tighten the harness over your child's hips. While keeping tension in the shoulder straps (A), pull the harness tension strap (U) until the harness is tightened enough, you should not be able to fit more than one finger between the shoulder straps (A) and your child's shoulders.





## Seat adjustments

After the Axkid One car seat has been installed in your vehicle you can easily adjust both the legroom and the recline position for your child. This can also be done while your child is restrained in the car seat.

To ensure a good fit in all cars and give the best protection for your child, Axkid strongly recommends that you use the guided positions marked on the side of the car seat. As your child grows it is important to adjust the recline to a more upright position to give the best possible protection for your child's neck in the case of an accident. The size indication is based on your child's length. Make sure both arrows points at the correct zone.

Age	Adjustment	
Infant 0-6 month (Axkid One + only)	Maximum recline Minimum legroom	
Toddler 0-3 years	All recline positions Several legroom positions	
Child 3-7 years	Maximum upright position Maximum legroom	

## Adjusting Axkid One car seat

- The legroom is adjusted by releasing the legroom adjustment button (N) and sliding the seat forward or backwards. To avoid Axkid One from accidentally sliding forward, grab the back handle (O) and gently pull it backwards before releasing the legroom adjustment button (N).
- The recline position of the car seat can be adjusted by turning the recline position knob (H).



## Removing Axxkid One car seat from your vehicle

- Push the support-leg button (I) and collapse the support-leg (R) to its shortest position.
- Slide the front brace release button (C) and fold the front brace (D) towards the seat to release the tension against the vehicle seat.
- Disconnect the ISOFIX connectors (Y) by pushing down on the ISOFIX buttons (X) and then slide them backwards, away from the vehicle seat.
- Keep holding the front brace (D) with one hand and grab the back handle (O) with the other hand and lift Axxkid One car seat out of your vehicle.
- Fold up the support-leg (R) by pulling the support-leg release strap (Q) and folding the support-leg (R) upwards.

## Care and maintenance

- The seat textile cover can be machine washed at 30° C on a gentle cycle. Do not put the cover in a dryer as this can damage the cover and the padding may separate from the fabric. Visit [www.axxkid.com](http://www.axxkid.com) to find videos explaining how to remove and attach the cover.
- To remove the textile cover from the seat, pull outwards on the side cover (L) and de-attach the Velcro. Open the zippers at the backrest and gently remove the cover from the seat. Make note how it is attached around the seat to make it easier to put back. When reinstalling the side cover (L), insert it under the aluminum frame and simply push back into the snap attachment. To remove the headrest cover, open the zippers on the bottom of the headrest and gently remove the cover.
- If the seat cover needs replacing, ensure only original products from Axxkid are used. If other products are used, Axxkid One car seat's safety system may be compromised and could lead to severe injury in case of an accident.
- Any plastic parts of Axxkid One car seat can be cleaned with mild detergent and water. Do not use aggressive chemicals containing solvents or similar, as this can cause damage to the plastic and compromise the safety of the car seat.
- All materials used in Axxkid One car seat are recyclable and should be recycled as per your local legislation. Ask your local recycling center for advice when recycling this product.
- The sound indicator (S) contains a replaceable CR1632 battery. Please remove and recycle the battery according to your local legislation when the Axxkid One car seat should no longer be used. Unscrew the two screws at the bottom of the support-leg (R) and remove the cover to gain access to the battery.
- Do not make any modifications or alterations to Axxkid One car seat other than those described in this instruction manual.
- Any repairs must be carried out by the manufacturer or agent.

# Warranty

Axkid One car seat is covered by a 24-month warranty from date of purchase. Ensure you save your receipt and bring it to your place of purchase if you have any warranty issues.

The warranty does not cover:

- Normal wear and tear
- Damage due to incorrect use, neglect or accident
- If repairs have been carried out by a third party
- All materials used have a very high UV-resistance rating. However, UV-light is very aggressive and will ultimately lead to fading of the seat cover. This is not covered by our warranty as it is considered normal wear and tear.
- Handle the seat with care. Note that the backside mesh fabric scratches easily and damages other than factory faulty mesh will not be covered by warranty.