



AP Winch Tech Pty Ltd proudly markets the quality product line from KIO-Winch. A leading Asian manufacturer, KIO-Winch engineer and produce AC electric winches from 200 to 10,000 kg line pull and builders' hoists to 500 kg capacity.



Since its foundation, KIO-Winch have been following an enterprise mission focused on giving customers top of the line lifting gear by designing, manufacturing and delivering quality hoisting equipment, including winches and peripheral accessories.

GRV / GG Series AC Electric Winches

A range of compact lifting and pulling winches utilising single and three phase electric motors. The winches are constructed in the conventional manner with motor, drum, gearbox and brake in line. Lifting capacities to 10,000 kg.



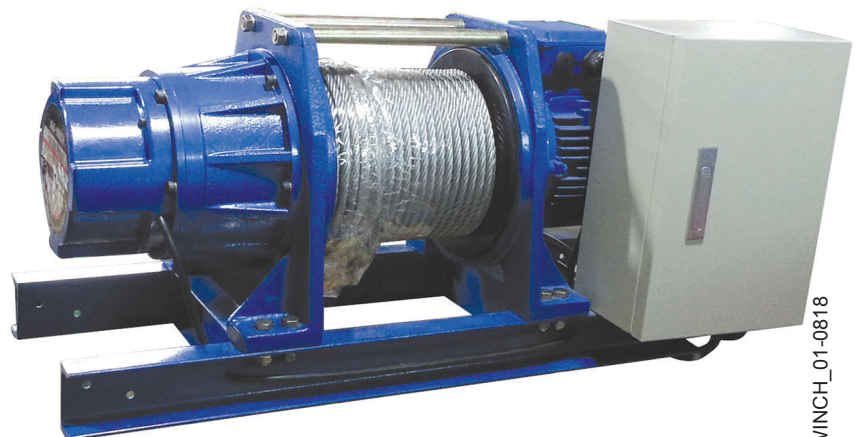
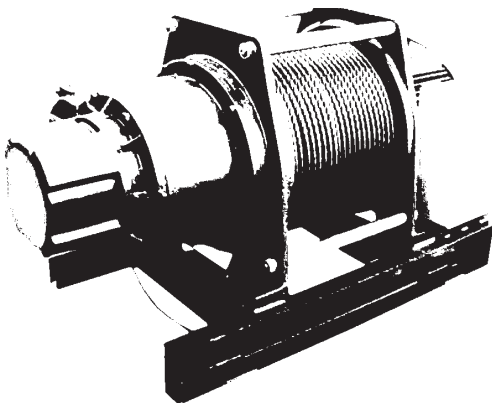
▶ GRV Series to 500 kg line pull

Applications

Suited to a variety of lifting and hauling applications within the warehouse, construction, agriculture and marine sectors.

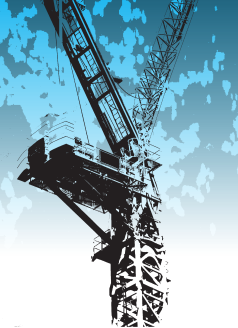
Features

- High torque AC electric motor designed for winch applications
- Planetary gearing for maximum efficiency
- Electromagnetic spring applied fail safe brake
- Heavy duty ball bearings
- Wire rope with safety hook
- Low Voltage hand control with 10 metre lead (removable) on all models
- 3 metre power lead with 3pin plug on 240v models
- Compliant to CE Machinery Directive 2006/42/EC
- Options: ropes and controls (wireless)

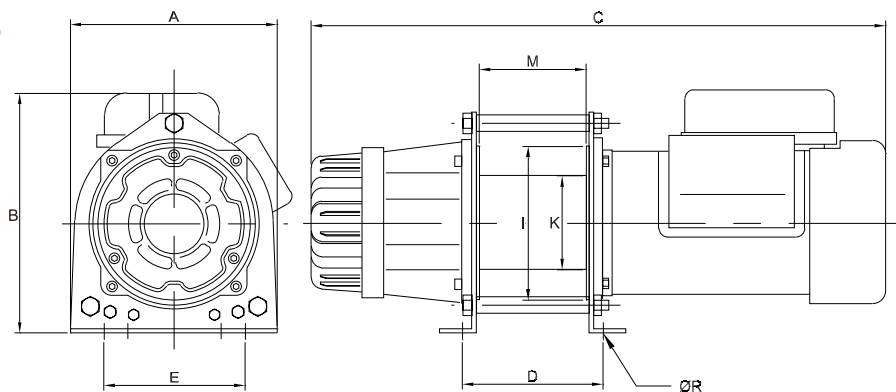


▶ GG Series to 10,000 kg line pull

KIO-WINCH_01-0818



GRV SERIES WINCHES



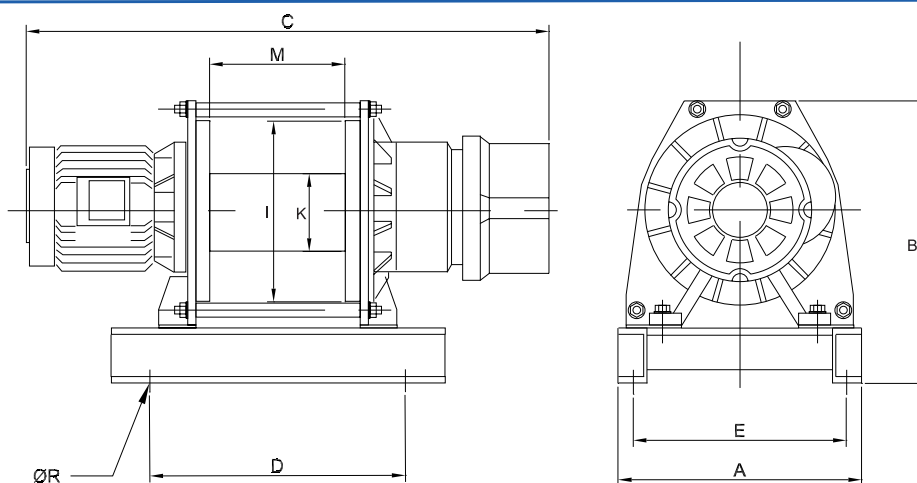
DIMENSIONS

MODEL	A	B	C	D	E	I	K	M	R
GRV-300	210	285	565	155	152	154	74	110	10.5
GRV-300L	210	285	610	190	152	154	74	153	10.5
GRV-500	260	308	670	190	160	169	79	147	10.5
GRV-500L	260	308	720	205	160	180	90	210	10.5

SPECIFICATIONS

MODEL	Lifting Capacity top layer kg	Lifting Speed m/min	Voltage/Phase V	Motor Power kW	Wire Rope ϕ mm x m	Gross Weight kg
GRV-300	300	10-15	230/1	1.1	6 x 30	38
GRV-300L	300	10-15	230/1	1.1	6 x 45	43
GRV-500	500	15-19	230/1	1.8	8 x 30	69
GRV-500L	500	15-19	230/1	1.8	7 x 60	72

GG SERIES WINCHES



DIMENSIONS

MODEL	A	B	C	D	E	I	K	M	R
GG-1060	460	460	1000	550	415	280	140	240	16
GG-2060	410	535	950	700	367	320	178	220	18
GG-3000	570	680	1300	600	500	420	200	380	25

SPECIFICATIONS

MODEL	Lifting Capacity top layer kg	Lifting Speed m/min	Voltage/Phase V	Motor Power kW	Wire Rope ϕ mm x m	Gross Weight kg
GG-1060	1,000	9-14	400 / 3	2.25	10 x 50	185
GG-2060	2,000	10-15	400 / 3	3.75	12 x 50	220
GG-3000	3,000	10-15	400 / 3	7.5	16 x 100	450

AP Winch Tech Pty Ltd reserves the right to change product specifications at any time, without notice.