

AP Winch Tech is a leading winch importer and manufacturer and our winches provide solutions for lifting, hauling, man-riding, positioning and anchoring.

Our winch range spans from 100 kg to 100 tons line pull and are electrically, hydraulically or pneumatically driven.

A comprehensive range of standard worm gear,

helical geared and planetary-driven winches are offered. We tailor solutions to suit any performance criteria and application.

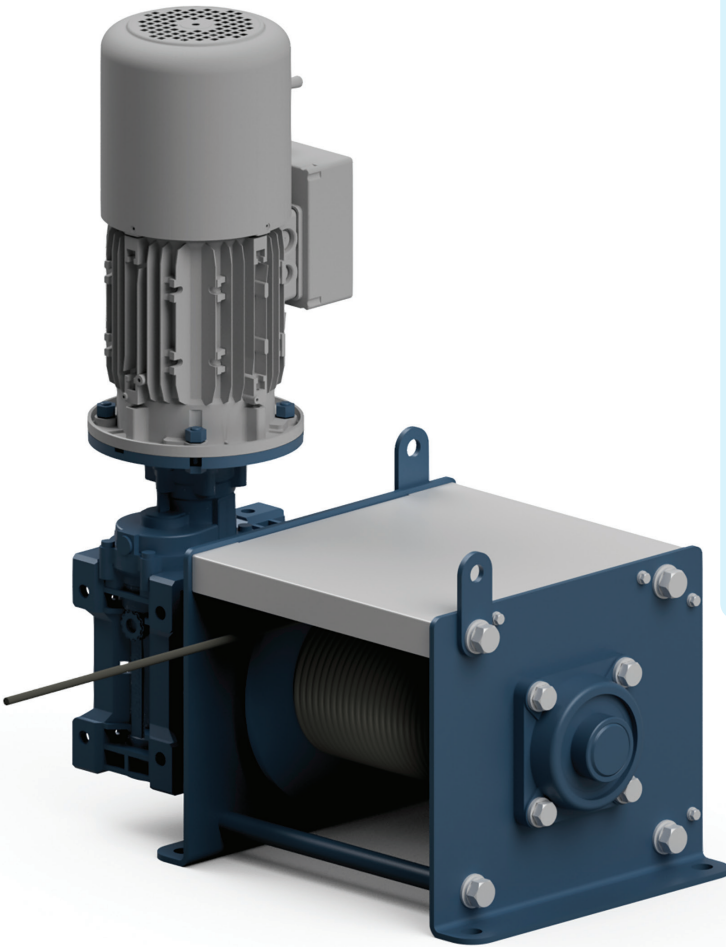
AP Winch Tech Pty Ltd has designed a new Boat Ramp Winch range, the EBRW series, manufactured in Australia, using quality materials and components.

### Applications

Suited to a variety of hauling applications within construction, agriculture and marine sectors.

### Features

- Electric brake motor, IP55, fail-safe brake
- Helical / worm gear combination gearing
- Heavy duty bearings
- Galvanised wire rope with D shackle
- Low Voltage hand control with 10 metre lead (removable) on all models
- 3 metre power lead with 3 pin plug (230 V)
- Zinc / Industrial enamel finish
- Options: synthetic rope; 400 V 3 phase brake motor; wireless control.



▶ EBRW Series Electric Winch

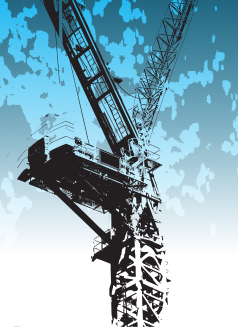
### EBRW Series AC Electric Winches

The EBRW is a new range of winches generally suited to hauling applications including use as a Boat Ramp Winch and are powered by single and three phase electric brake motors. The EBRW series are rated to haul at full load over the total rope distance (full drum).



The winches are compactly constructed in a conventional manner with drum supported in a fabricated steel frame driven via right angle gearbox and brake motor. The winches can be configured in a variety of mounting scenarios.

EBRW - WINCH\_011118

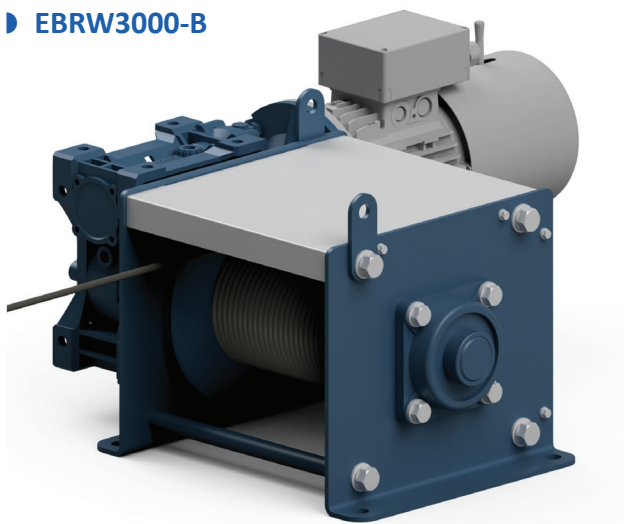


## Winch Capability vs Angle vs Boat Mass\*

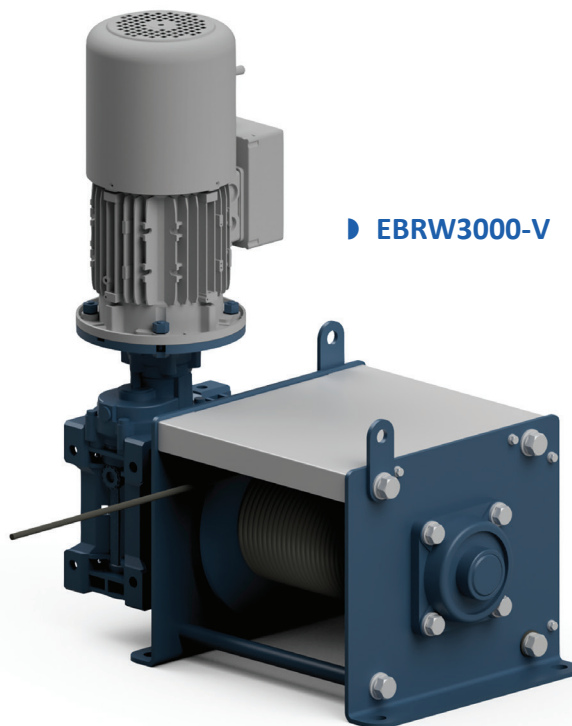
Angle of Ramp	7° (1:8)	10° (1:6)	14° (1:4)
Model EBRW3000	4100 kg	3000 kg	2300 kg
Model EBRW4500	6200 kg	4500 kg	3500 kg

\*Based on winch with full drum (30 m) and hauling wheel load on a firm smooth surface.

► EBRW3000-B



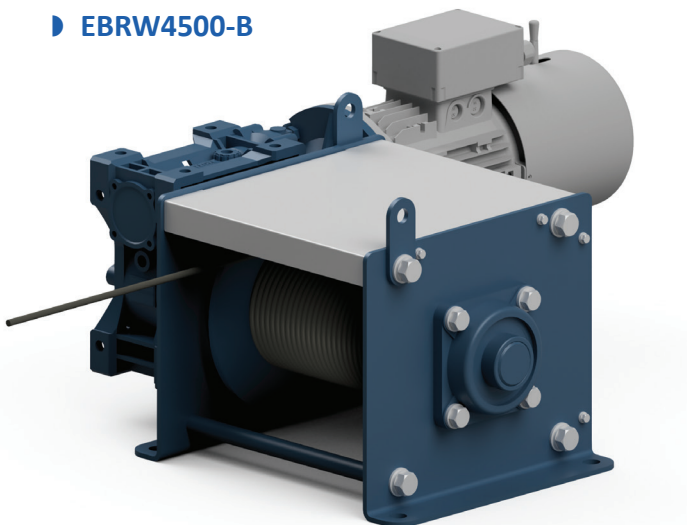
► EBRW3000-V



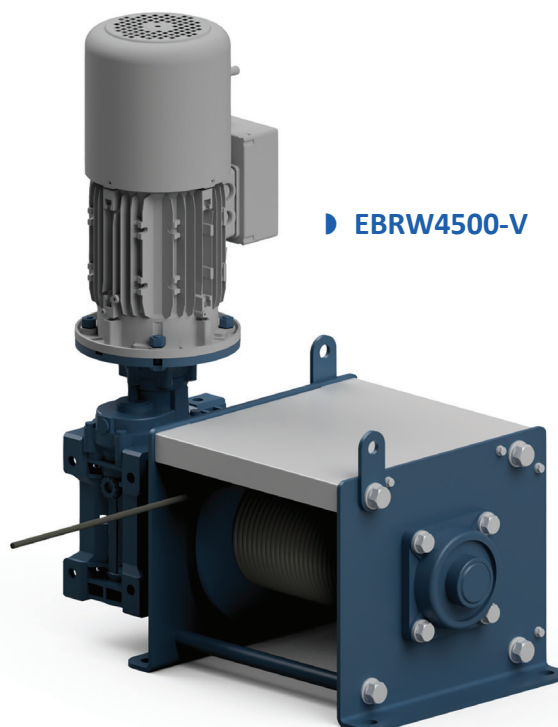
### PERFORMANCE

MODEL	Line Pull Top Layer kg	Lifting Speed m/min	Voltage/Phase V	Motor Power kW	Wire Rope φ mm x m	Gross Weight kg
EBRW3000	700	4.6 - 6.0	230/1	1.1	8 x 30	90
EBRW4500	1050	4.6 - 6.0	230/1	1.8	8 x 30	92

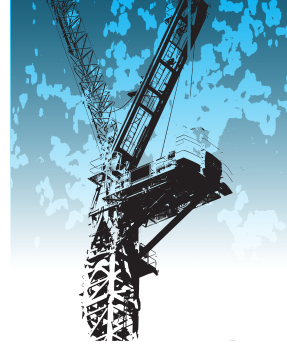
► EBRW4500-B



► EBRW4500-V



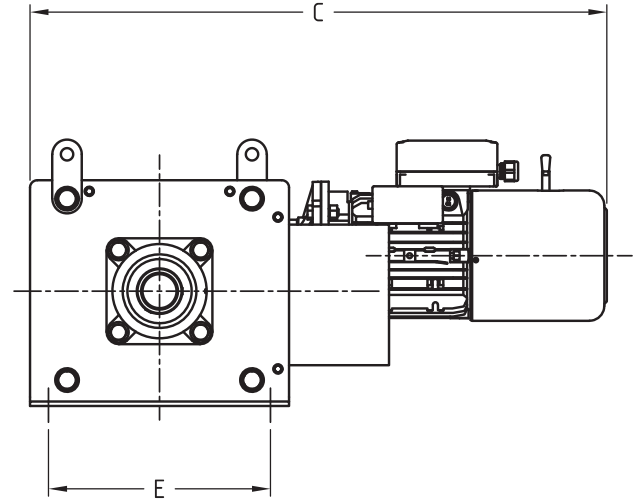
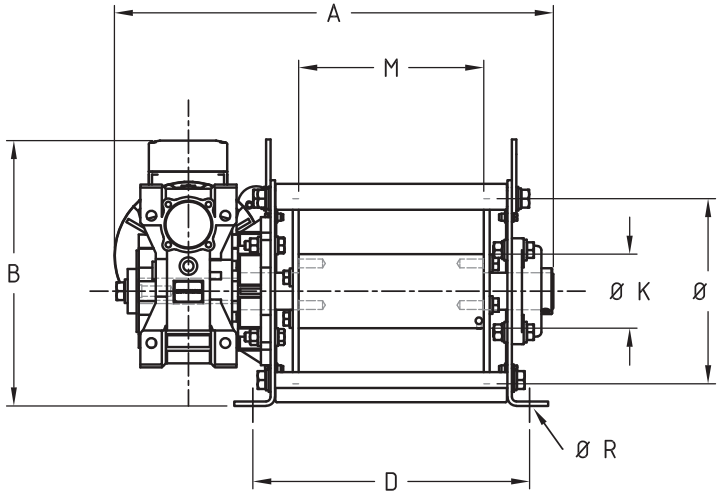
AP Winch Tech Pty Ltd reserves the right to change product specifications at any time, without notice.



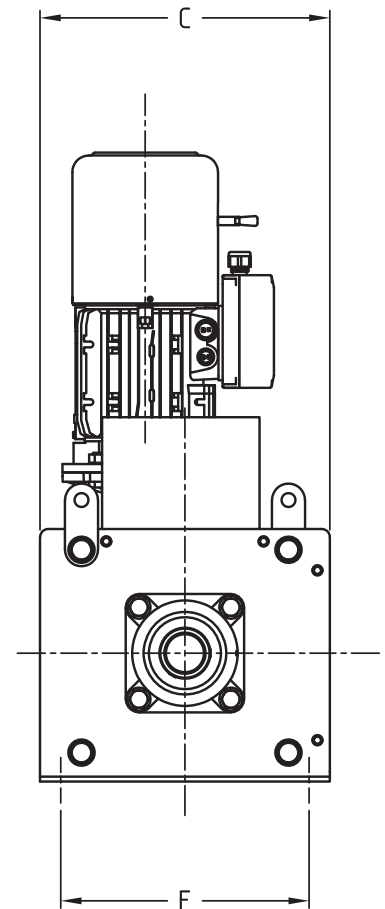
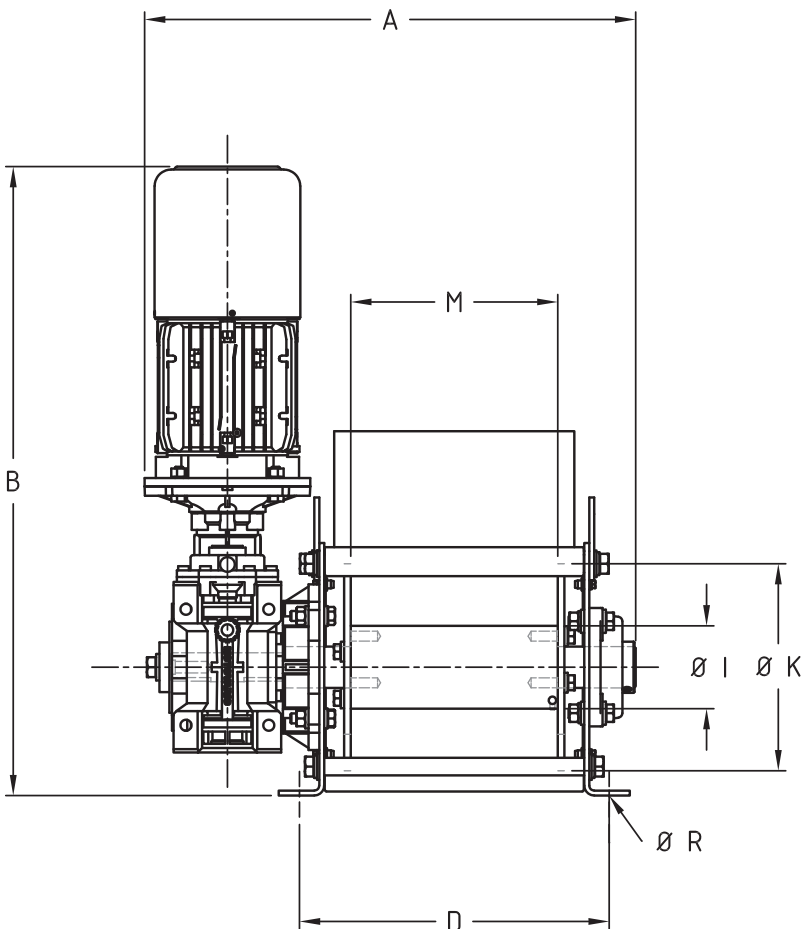
## DIMENSIONS

MODEL	A	B	C	D	E	I	K	M	R
EBRW3000-1-B	539	359	754	374	300	100	250	250	20
EBRW3000-1-V	539	734	350	374	300	100	250	250	20
EBRW4500-1-B	539	359	779	374	300	100	250	250	20
EBRW4500-1-V	539	757	350	374	300	100	250	250	20

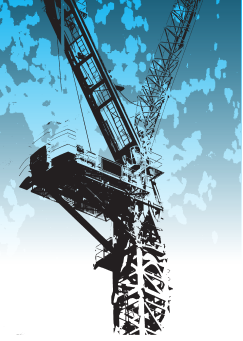
### EBRW-B



### EBRW-V



AP Winch Tech Pty Ltd reserves the right to change product specifications at any time, without notice.



## AP Winch Tech

At AP Winch Tech, our mission is to exceed the quality, performance, durability and safety expectations of our customers, whether in marine, oil and gas, dredging, fishing, construction, mining, theatre or general industry. Our core values are focused on maintaining the highest quality standards through our products, services and personnel. AP Winch Tech understands the importance of ensuring that solutions meet or exceed the expectations placed upon them.

For over 35 years, the staff of AP Winch Tech have been supplying customers with high quality winch equipment providing a variety of solutions for all types of industries. As an independent company, we offer the highest possible levels of service, quality and reliability which guarantees the safety provided by AP Winch Tech products.

## Custom-built Winches

Our custom-built winches are engineered to meet your requirements and that of applicable regulatory authorities. Drum configurations to match your application and rope storage requirements.

Driven by planetary, helical or worm gearing and powered by electric, air, hydraulic or mechanical means. Our drives are selected to provide efficiency and optimum performance. on-site inspection, repair and maintenance work.



► **EBRW Series Electric Winch—an AP Winch Tech developed product**

## Spare Parts

AP Winches Tech offer rapid local parts support for EMCE winches and other popular brands. Check with us about your requirements.

## Service

Regular maintenance is critical to ensuring optimal performance, safety and regulatory compliance. Our specialist team of technicians conduct in-house and on-site inspection, repair and maintenance work.

AP Winch Tech Pty Ltd reserves the right to change product specifications at any time, without notice.